

---

## UPRIGHT FREEZER

Use & Care Guide

---

## CONGELATEUR VERTICAL

Guide d'utilisation et d'entretien

---

المجمد الرأسى  
دليل الاستخدام والعناية

---

2.....جدول المحتويات/Table des matières/Table of Contents

---

# TABLE OF CONTENTS

<b>FREEZER SAFETY</b> .....	<b>3</b>	<b>FREEZER USE</b> .....	<b>9</b>
Proper Disposal of Your Old Freezer or Refrigerator.....	3	Ensuring Proper Air Circulation.....	9
<b>INSTALLATION INSTRUCTIONS</b> .....	<b>4</b>	Using the Control.....	9
Unpacking.....	4	Ice Maker.....	9
Opening Dimensions.....	4	<b>FREEZER FEATURES</b> .....	<b>10</b>
Location Requirements.....	5	Freezer Shelves.....	10
Electrical Requirements.....	5	Door Bin.....	10
Water Supply Requirements.....	5	Storage Basket.....	10
Connect the Water Supply.....	6	<b>FREEZER CARE</b> .....	<b>10</b>
Freezer Door.....	7	Cleaning Your Frost-Free Freezer.....	10
Adjust the Door.....	8	Changing the Light Bulb.....	11
		Power Interruptions.....	11
		Moving Care.....	11
		<b>TROUBLESHOOTING</b> .....	<b>12</b>
		<b>ASSISTANCE OR SERVICE</b> .....	<b>13</b>

# TABLE DES MATIÈRES

<b>SECURITE DU CONGÉLATEUR</b> .....	<b>14</b>	<b>UTILISATION DU CONGÉLATEUR</b> .....	<b>21</b>
Mise au rebut appropriée de votre vieux congélateur ou réfrigérateur.....	15	Pour s'assurer d'une circulation d'air appropriée.....	21
<b>INSTRUCTIONS D'INSTALLATION</b> .....	<b>15</b>	Utilisation de la commande.....	21
Déballage.....	15	Machine à glaçons.....	21
Dimensions de l'ouverture.....	16	<b>CARACTÉRISTIQUES DU CONGÉLATEUR</b> .....	<b>22</b>
Emplacement d'installation.....	16	Tablettes de congélateur.....	22
Spécifications électriques.....	17	Balconnet de porte.....	22
Spécifications de l'alimentation en eau.....	17	Panier coulissant.....	22
Raccordement de la canalisation d'eau.....	18	<b>ENTRETIEN DU CONGÉLATEUR</b> .....	<b>23</b>
Porte du congélateur.....	19	Nettoyage du congélateur sans givre.....	23
Ajustement de porte.....	20	Remplacement de l'ampoule d'éclairage.....	23
		Pannes de courant électrique.....	24
		Déménagement.....	24
		<b>DÉPANNAGE</b> .....	<b>24</b>
		<b>ASSISTANCE OU SERVICE</b> .....	<b>26</b>

## جدول المحتويات

<b>9</b> .....	<b>استخدام المجمد</b>	<b>3</b> .....	<b>سلامة المجمد</b>
9.....	ضمان سلامة دوران الهواء	4.....	التخلص السليم من مجمديك القديم أو ثلاجتك القديمة
9.....	استخدام مفاتيح التحكم	4.....	<b>إرشادات التركيب</b>
9.....	صانع الثلج	4.....	الإخراج من العبوة
<b>10</b> .....	<b>مميزات المجمد</b>	4.....	أبعاد الفتحة
10.....	رفوف المجمد	5.....	متطلبات الموقع
10.....	صندوق الباب	5.....	المتطلبات الكهربائية
10.....	سلة التخزين	5.....	متطلبات مصدر المياه
<b>10</b> .....	<b>العناية بالمجمد</b>	6.....	توصيل مصدر المياه
10.....	تنظيف مجمديك المانع للصقيع	7.....	باب المجمد
11.....	تغيير المصباح	8.....	ضبط الباب
11.....	انقطاع الكهرباء		
11.....	العناية أثناء النقل		
<b>12</b> .....	<b>استكشاف الأعطال وإصلاحها</b>		
<b>14</b> .....	<b>المساعدة أو الخدمة</b>		

# FREEZER SAFETY

## Your safety and the safety of others are very important.

We have provided many important safety messages in this manual and on your appliance. Always read and obey all safety messages.



This is the safety alert symbol.

This symbol alerts you to potential hazards that can kill or hurt you and others.

All safety messages will follow the safety alert symbol and either the word "DANGER" or "WARNING."

These words mean:

**⚠ DANGER**

You can be killed or seriously injured if you don't immediately follow instructions.

**⚠ WARNING**

You can be killed or seriously injured if you don't follow instructions.

All safety messages will tell you what the potential hazard is, tell you how to reduce the chance of injury, and tell you what can happen if the instructions are not followed.

## IMPORTANT SAFETY INSTRUCTIONS

**WARNING:** To reduce the risk of fire, electric shock, or injury when using your freezer, follow these basic precautions:

- Plug into a grounded 3 prong outlet.
- Do not remove ground prong.
- Do not use an adapter.
- Do not use an extension cord.
- Disconnect power before servicing.
- Replace all parts and panels before operating.
- Use nonflammable cleaner.
- Do not use mechanical, electric or chemical means other than those recommended by this Manufacturer to speed up the defrost process.
- Do not use or place electrical devices inside the appliance compartments if they are not of the type expressly authorized by the Manufacturer.
- Keep flammable materials and vapors, such as gasoline, away from freezer.
- Do not store explosive substances such as aerosol cans with a flammable propellant in this appliance.
- Use two or more people to move and install freezer.
- This appliance is not intended for use by persons (including children) with reduced physical, sensory or mental capabilities or lack of experience and knowledge, unless they have been given supervision or instruction concerning use of this appliance by a person responsible for their safety.
- To avoid the risk of children becoming trapped and suffocating, do not allow them to play or hide inside the appliance.
- Keep key away from children.
- Remove doors or lid from your old freezer or refrigerator.
- Disconnect power before installing ice maker (on ice maker kit ready models only).

## SAVE THESE INSTRUCTIONS

## Proper Disposal of Your Old Freezer or Refrigerator

**⚠ WARNING**

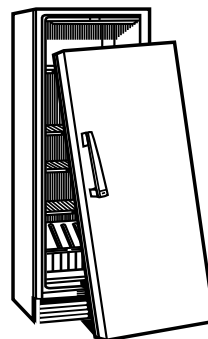
### Suffocation Hazard

Remove doors or lid from your old freezer or refrigerator.

Failure to do so can result in death or brain damage.

### Before You Throw Away Your Old Freezer or Refrigerator:

- Take off the doors or lid.
- Leave the shelves in place so that children may not easily climb inside.



**IMPORTANT:** Child entrapment and suffocation are not problems of the past. Junked or abandoned freezers or refrigerators are still dangerous ... even if they will sit for "just a few days." If you are getting rid of your old refrigerator or freezer, please follow these instructions to help prevent accidents.

# INSTALLATION INSTRUCTIONS

## Unpacking

### **⚠ WARNING**

#### **Excessive Weight Hazard**

**Use two or more people to move and install freezer.**  
**Failure to do so can result in back or other injury.**

### Before Using the Appliance

This appliance is intended to be used in household and similar applications such as:

- Staff kitchen areas in shops, offices and other working environments
- Farmhouses and by clients in hotels, motels and other residential-type environments
- Bed and breakfast type environments

### Remove Packaging Materials

- Remove tape and glue residue from surfaces before turning on the freezer. Rub a small amount of liquid dish soap over the adhesive with your fingers. Wipe with warm water and dry.
- Do not use sharp instruments, rubbing alcohol, flammable fluids, or abrasive cleaners to remove tape or glue. These products can damage the surface of your freezer. For more information, see "Freezer Safety."

### When Moving Your Freezer:

Your freezer is heavy. When moving the freezer for cleaning or service, be sure to cover the floor with cardboard or hardboard to avoid floor damage. Always pull the freezer straight out when moving it. Do not wiggle or "walk" the freezer when trying to move it, as floor damage could occur.

### Clean Before Using

After you remove all of the packaging materials, clean the inside of your freezer before using it. See the cleaning instructions in "Freezer Care."

### Important information to know about glass shelves and covers:

Do not clean glass shelves or covers with warm water when they are cold. Shelves and covers may break if exposed to sudden temperature changes or impact, such as bumping. Tempered glass is designed to shatter into many small, pebble-size pieces. This is normal. Glass shelves and covers are heavy. Use both hands when removing them to avoid dropping.

## Safeguarding the Environment

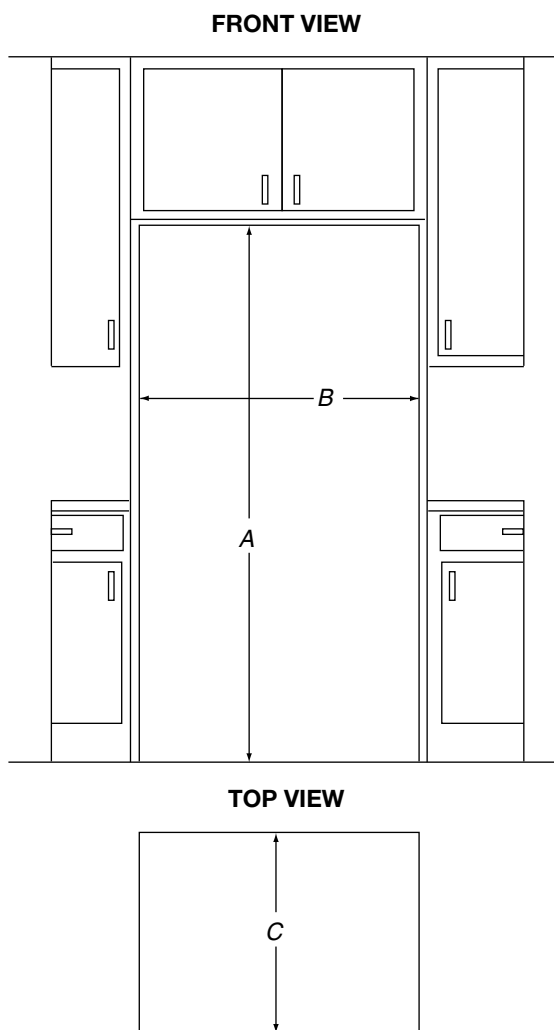
This product may contain Fluorinated Greenhouse Gases covered by the Kyoto Protocol; the refrigerant gas is inside a hermetically sealed system.

Refrigerant gas: R134A has a Global Warming Potential of (GWP) 1300.

## Opening Dimensions

Height dimensions are shown with the leveling legs extended to the minimum height of ¼" (6.35 mm) below the refrigerator.

**NOTE:** When the leveling legs are fully extended to 1" (25 mm) below the refrigerator, add ¾" (19 mm) to the height dimensions.



### Model 5VEV188\*/5VMV188\*

#### Dimension B

Dimension A	Single Unit	2 Units, Side by Side	Dimension C
69" (175.3 cm)	36" (91.44 cm)	67" (170.2 cm)	26½" (67.3 cm)

\*Dimensions include 3" (7.62 cm) recommended air space at the top and sides, plus 1" (2.54 cm) recommended air space at the back.

## Location Requirements

### **⚠ WARNING**



#### Explosion Hazard

Keep flammable materials and vapors, such as gasoline, away from freezer.

Failure to do so can result in death, explosion, or fire.

**IMPORTANT:** Do not install the freezer near an oven, radiator, or other heat source, nor in a location where the temperature will fall below 40°F (5°C).

Check the strength of the floor before installing your freezer. It should hold the weight of a freezer fully loaded with food.

Allow for a 1" (2.54 cm) space behind the freezer.

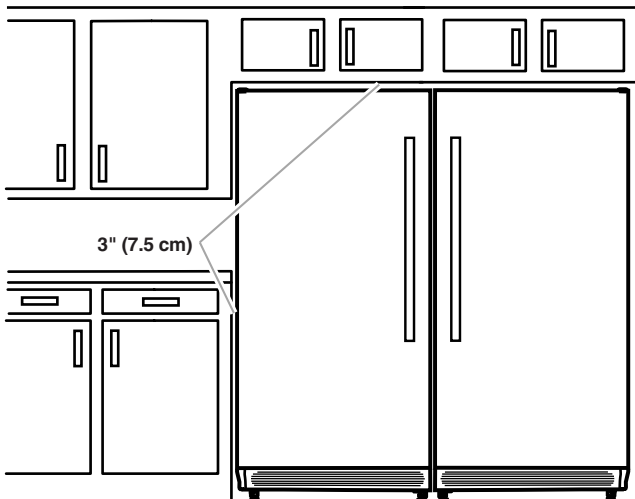
If the freezer is to be against a wall, leave extra space on the hinge side so the door can open wider.

Keep the appliance ventilation openings free.

Do not damage the appliance refrigerant circuit pipes.

Install the appliance in a dry and well-ventilated place.

**NOTE:** This freezer may be installed side by side with another freezer or refrigerator.



## Electrical Requirements

### **⚠ WARNING**



#### Electrical Shock Hazard

Plug into a grounded 3 prong outlet.

Do not remove ground prong.

Do not use an adapter.

Do not use an extension cord.

Failure to follow these instructions can result in death, fire, or electrical shock.

A 220/240 volt, 50/60 Hz, AC only, 10-amp fused and grounded (earthed) electrical supply is required.

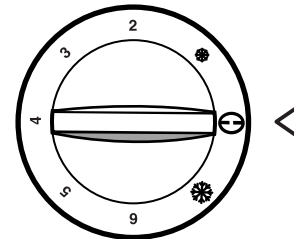
Before you move your freezer into its final location, it is important to make sure you have the proper electrical connection.

It must be possible to disconnect the appliance from the power supply by unplugging it or by means of a mains two-pole switch installed upstream of the socket.

#### Recommended Grounding Method

It is recommended that a separate circuit serving only your freezer be provided. Use an outlet that cannot be turned off by a switch. Do not use an extension cord.

**NOTE:** Before performing any type of installation, cleaning, or removing a light bulb, turn the Temperature Control to the OFF position as shown and then disconnect the freezer from the electrical source.



## Water Supply Requirements (for models with an ice maker)

Gather the required tools and parts before starting installation. Read and follow the instructions provided with any tools listed here.

#### Tools Needed:

- Flat-blade screwdriver
- 7/16" and 1/2" Open-end or two adjustable wrenches
- 1/4" Nut driver
- 1/4" Drill bit
- Cordless drill

**NOTE:** Your freezer dealer has a kit available with a 1/4" (6.35 mm) saddle-type shutoff valve, a union, and copper tubing. Before purchasing, make sure a saddle-type valve complies with your local plumbing codes. Do not use a piercing-type or 3/16" (4.76 mm) saddle valve which reduces water flow and clogs more easily.

### IMPORTANT:

- If you turn the freezer on before the water line is connected, turn the ice maker OFF.
- All installations must meet local plumbing code requirements.
- Use copper tubing and check for leaks. Install copper tubing only in areas where the household temperatures will remain above freezing.

### Water Pressure

A cold water supply with water pressure of between 30 and 120 psi (207 and 827 kPa) is required to operate the water dispenser and ice maker. If you have questions about your water pressure, call a licensed, qualified plumber.

### Reverse Osmosis Water Supply

**IMPORTANT:** The pressure of the water supply coming out of a reverse osmosis system going to the water inlet valve of the freezer needs to be between 30 and 120 psi (207 and 827 kPa).

If a reverse osmosis water filtration system is connected to your cold water supply, the water pressure to the reverse osmosis system needs to be a minimum of 40 to 60 psi (276 to 414 kPa).

If the water pressure to the reverse osmosis system is less than 40 to 60 psi (276 to 414 kPa):

- Check to see whether the sediment filter in the reverse osmosis system is blocked. Replace the filter if necessary.
- Allow the storage tank on the reverse osmosis system to refill after heavy usage.

If you have questions about your water pressure, call a licensed, qualified plumber.

## Connect the Water Supply (for models with an ice maker)

### NOTES:

- All appliances equipped with an automatic ice maker and water dispenser must be connected to a water supply that only delivers drinking water (with mains water pressure of between 0.21 and 0.83 Mpa [2.1 and 8.3 bar]). Automatic ice makers and/or water dispensers not directly connected to the water supply must be filled with drinking water only.
- For the water connection, use the pipe supplied with the new appliance. Do not reuse that of the previous appliance.

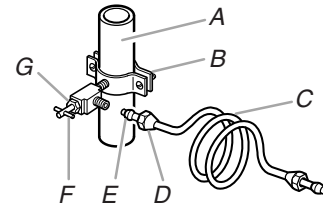
### Connect to Water Line

1. Unplug freezer or disconnect power.
2. Turn OFF main water supply. Turn ON nearest faucet long enough to clear line of water.
3. Locate a ½" to 1¼" (12.7 mm to 3.18 cm) vertical cold water pipe near the freezer.

### IMPORTANT:

- Make sure it is a cold water pipe.
  - Horizontal pipe will work, but drill on the top side of the pipe, not the bottom. This will help keep water away from the drill and normal sediment from collecting in the valve.
4. Determine the length of copper tubing you need. Measure from the connection on the lower left rear of freezer to the water pipe. Add 7 ft (2.1 m) to allow for cleaning. Use ¼" (6.35 mm) O.D. (outside diameter) copper tubing. Be sure both ends of tubing are cut square.

5. Using a cordless drill, drill a ¼" (6.35 mm) hole in the cold water pipe you have selected.

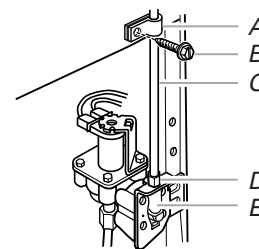


- A. Cold water pipe
- B. Pipe clamp
- C. Copper tubing
- D. Compression nut
- E. Compression sleeve
- F. Shutoff valve
- G. Packing nut

6. Fasten the shutoff valve to the cold water pipe with the pipe clamp. Be sure the outlet end is solidly in the ¼" (6.35 mm) drilled hole in the water pipe and that the washer is under the pipe clamp. Tighten the packing nut. Tighten the pipe clamp screws slowly and evenly so washer makes a watertight seal. Do not overtighten.
7. Slip the compression sleeve and compression nut on the copper tubing as shown. Insert the end of the tubing into the outlet end squarely as far as it will go. Screw compression nut onto outlet end with adjustable wrench. Do not overtighten.
8. Place the free end of the copper tubing in a container or sink, and turn ON the main water supply. Flush the tubing until water is clear. Turn OFF the shutoff valve on the water pipe. Coil the copper tubing.

### Connect to Freezer

1. Remove the valve access cover from the compressor cover on the lower back of the cabinet.
2. Attach the copper tubing to the valve inlet using a compression nut and sleeve as shown. Tighten the compression nut. Do not overtighten.
3. Insert the valve assembly into the compressor cover. Then, fasten the valve assembly to the freezer cabinet with a ½" hex-head machine screw.
4. Use the tube clamp on the back of the freezer to secure the tubing to the freezer as shown. This will help avoid damaging the copper tubing when the freezer is pushed back against the wall.
5. Turn shutoff valve ON. Check for leaks. Tighten any connections (including connections at the valve) or nuts that leak.



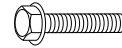
- A. Tube clamp
- B. Tube clamp screw
- C. Copper tubing
- D. Compression nut
- E. Valve inlet

- The ice maker is equipped with a built-in water strainer. If your water conditions require a second water strainer, install it in the 1/4" (6.35 mm) water line at either tube connection. Obtain a water strainer from your nearest appliance dealer.

---

## Remove Door and Hinges

---



5/16" hex-head hinge screw

- Unplug freezer or disconnect power.
- Open freezer door and remove base grille from the bottom front of the freezer. See Base Grille graphic.
- Close the freezer door and keep it closed until you are ready to lift it free from the cabinet.
 

**NOTE:** Provide additional support for the door while the hinges are being moved. Do not depend on the door magnets to hold the door in place while you are working.
- Remove the parts for the top hinge as shown in Top Hinge graphic.
- Lift the freezer door free from the lower hinge and cabinet and set aside.
- Remove 3 hex-head hinge screws and bottom hinge assembly. See Bottom Hinge graphic.

---

## Replace Door and Hinges

---

- Replace the parts for the bottom hinge as shown and tighten screws. See Bottom Hinge graphic. Replace the freezer door.
 

**NOTE:** Provide additional support for the door while the hinges are being moved. Do not depend on the door magnets to hold the door in place while you are working.
- Assemble the parts of the top hinge as shown in the Top Hinge graphic. Do not tighten the screws completely.
- Adjust the door so that the bottom aligns evenly with the cabinet. Tighten all screws.

---

## Final Steps

---

# ⚠ WARNING

**Electrical Shock Hazard**

**Plug into a grounded 3 prong outlet.**

**Do not remove ground prong.**

**Do not use an adapter.**

**Do not use an extension cord.**

**Failure to follow these instructions can result in death, fire, or electrical shock.**

- Plug into a grounded 3 prong outlet.

## Freezer Door

### IMPORTANT:

- Depending on the width of the opening, you may need to remove the handle or door to move the freezer into the house.
- All graphics referenced in the following instructions are included later in this section after "Final Steps." The graphic may be reversed if door swing is reversed.
- Before you begin, turn the control OFF, and remove food and adjustable door or utility bins from door.

**Tools Needed:** 1/2" hex-head socket wrench and 3/8" hex-head socket wrench

---

### Remove and Replace the Handle

---

#### Style 1

- To remove the handle, grasp the lower part of the handle firmly, and then slide it up and pull the handle straight out from the door. See Graphic 1-1.
- To replace the handle, position the handle so that the large holes in the mounting clips are down and align the holes with the grommets.
- Rotate the handle so that the mounting clips are flat against the door and slide the handle down to engage.

#### Style 2

- To remove the handle, loosen the setscrews located on the side of handle at each end. See Handle graphic.
- To replace the handle, tighten the upper and lower setscrews with the hex key provided. See Handle graphic. Do not overtighten the setscrews.

# ⚠ WARNING

**Electrical Shock Hazard**

**Plug into a grounded 3 prong outlet.**

**Do not remove ground prong.**

**Do not use an adapter.**

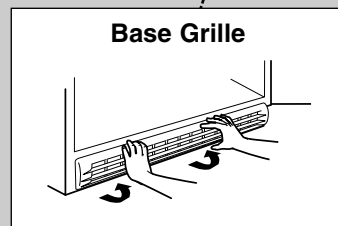
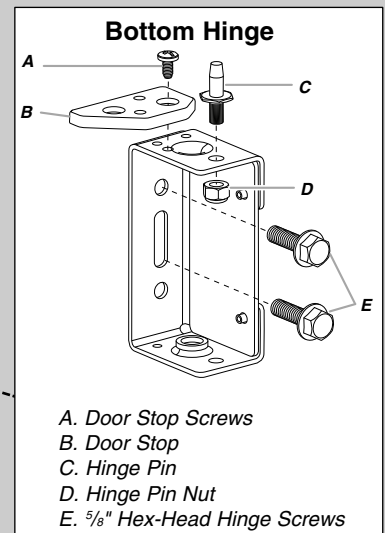
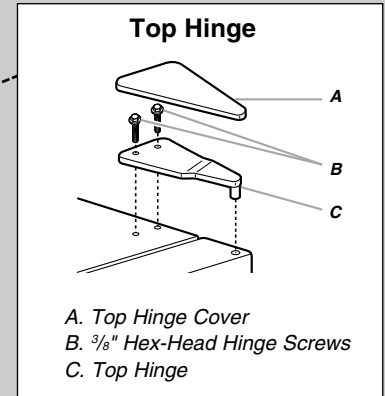
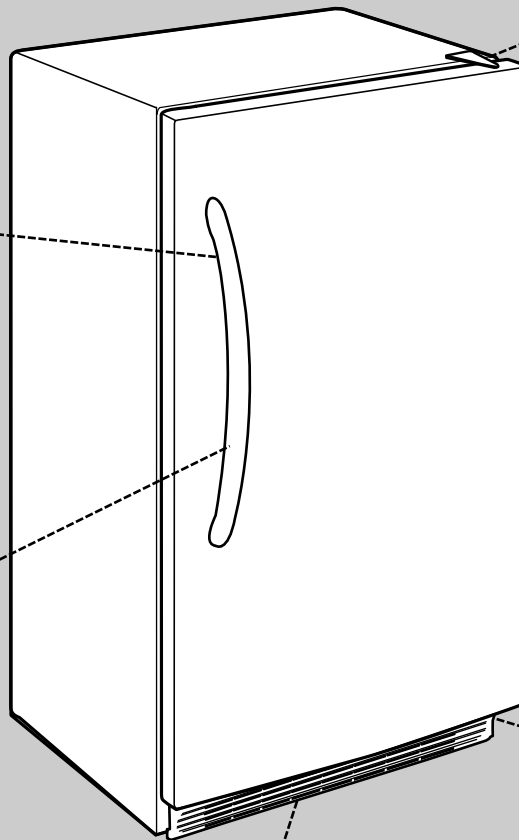
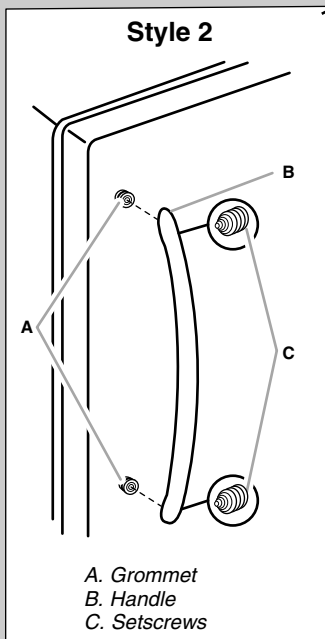
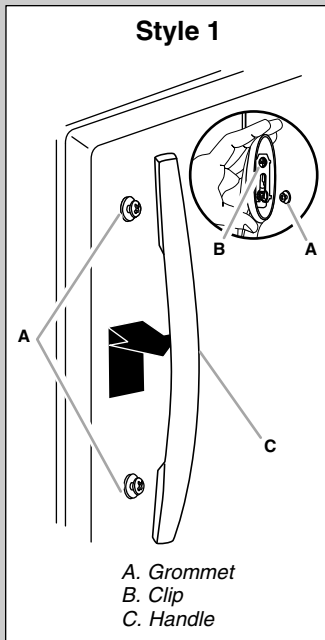
**Do not use an extension cord.**

**Failure to follow these instructions can result in death, fire, or electrical shock.**

- Plug into a grounded 3 prong outlet.
- Reset the control. See "Using the Control."
- Return all removable door parts to door and food to freezer.



## Door Removal and Replacement



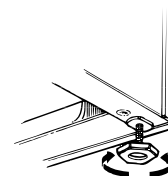
## Adjust the Door

Your freezer has 2 front adjustable legs, one on each side. The back of the freezer rests on 2 fixed supports.

1. Adjust the front legs just enough to lift the cabinet up off of the floor.

**NOTE:** If your model is equipped with rollers, the front legs should be lowered enough to lift the rollers off of the floor to ensure the freezer does not roll forward when the door is opened.

2. Place a leveling tool on top of the freezer first side to side, then front to back. Turn leg counterclockwise to raise a corner. Turn leg clockwise to lower a corner.



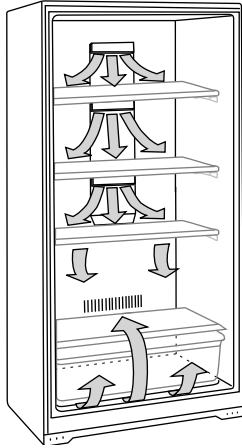
3. Repeat Step 2 until freezer is level.
4. After freezer is fully loaded with food, recheck with level as in Step 2.



# FREEZER USE

## Ensuring Proper Air Circulation

In order to ensure proper temperature, you need to permit proper airflow in the freezer. As shown in the illustration, cool air enters through the freezer wall and moves down. The air then recirculates through the vent near the bottom.



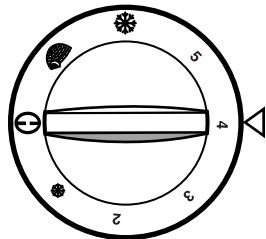
Do not block any of these vents with food packages. If the vents are blocked, airflow will be restricted, and temperature and moisture problems may occur.

**IMPORTANT:** To avoid odor transfer and drying out of food, wrap or cover foods tightly.

## Using the Control

Turn the freezer temperature control to 4. This setting is designed to maintain the temperature at or near 0°F (-17.8°C) under normal operating conditions.

Allow the freezer to cool 6 to 8 hours before filling with frozen food. Let the freezer cool overnight before adding large amounts of unfrozen food. Do not add more than 2 to 3 lbs (907 to 1,350 g) of unfrozen food per cubic foot (28.32 L) of freezer space.



**NOTE:** When the freezer is first started, the compressor will run constantly until the freezer is cooled. It may take up to 6 or 8 hours (or longer), depending on room temperature and the number of times the freezer door is opened. After the freezer is cooled, the compressor will turn on and off as needed to keep the freezer at the proper temperature.

The outside of your freezer may feel warm. This is normal. The freezer's design and main function is to remove heat from the contents and air inside the freezer. The heat is transferred to the room air, making the outside of the freezer feel warm.

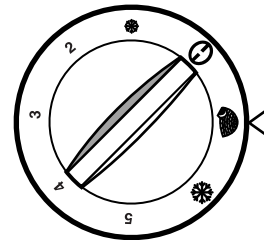
## Adjusting Control

- Turn control to a higher number for colder temperatures.
- Turn control to a lower number for less cold temperatures.

**NOTE:** The small snowflake icon represents the number 1 or the least cold setting. The large snowflake icon represents 6 or the coldest setting.

## Fast Freeze (on some models)

This setting causes the freezer to run continuously, driving the freezer temperature to the coldest possible temperature. To activate, adjust the control knob to the igloo icon, which represents the fast freeze setting. Use this feature just before adding large amounts of unfrozen foods. For best food quality, do not exceed 3 lbs (1,350 g) per cubic foot (28.32 L). Return to your normal setting after 24 to 48 hours.



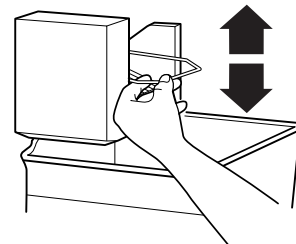
## Ice Maker (on some models)

**IMPORTANT:** If your model does not come with an ice maker, and you wish to install an ice maker, you must purchase Ice Maker Kit # k013ECKMF87. Contact your dealer and order part number W10190943.

## To Turn the Ice Maker On/Off

**NOTE:** Do not force the wire shutoff arm up or down.

- To turn the ice maker on, simply lower the wire shutoff arm.
- **NOTE:** Your ice maker has an automatic shutoff. As ice is made, the ice cubes fill the ice storage bin and the ice cubes will raise the wire shutoff arm to the OFF (arm up) position.
- To manually turn the ice maker off, lift the wire shutoff arm to the OFF (arm up) position and listen for the click to make sure the ice maker will not continue to operate.



## Ice Production Rate

The ice maker should produce approximately 7 to 9 batches of ice in a 24-hour period. If ice is not being made fast enough, turn the Temperature Control toward a higher (colder) number in half number steps. (For example, if the control is at 3, move it to between 3 and 4.) Wait 24 hours and, if necessary, gradually turn the Temperature Control to the highest setting, waiting 24 hours between each increase.

## Remember

- Allow 24 hours to produce the first batch of ice. Discard the first three batches of ice produced.
- The quality of your ice will be only as good as the quality of the water supplied to your ice maker. Avoid connecting the ice maker to a softened water supply. Water softener chemicals (such as salt) can damage parts of the ice maker and lead to poor quality ice. If a softened water supply cannot be avoided, make sure the water softener is operating properly and is well maintained.
- Do not store anything on top of the ice maker or in the ice storage bin.

## FREEZER FEATURES

This manual covers several different models. The freezer you have purchased may have some or all of the items listed. The locations of the features may not match those of your model.

### Important information to know about glass shelves and covers:

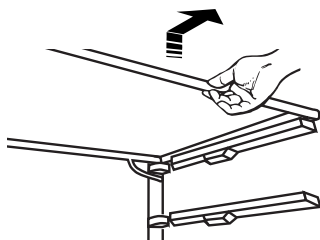
Do not clean glass shelves or covers with warm water when they are cold. Shelves and covers may break if exposed to sudden temperature changes or impact, such as bumping. Tempered glass is designed to shatter into many small, pebble-size pieces. This is normal. Glass shelves and covers are heavy. Use both hands when removing them to avoid dropping.

### Freezer Shelves

Store similar foods together and adjust the shelves to fit different heights. This reduces the time the freezer door is open and saves energy.

#### To Remove and Replace a Shelf:

1. Remove the shelf by pulling it forward slightly to align the shelf stops with the openings in the freezer liner. Lift straight up, and pull the shelf out the rest of the way.

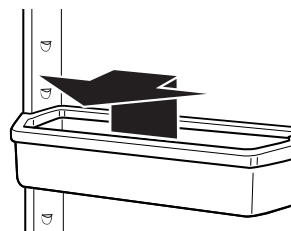


2. Replace the shelf by lowering the shelf stops through the openings in the freezer liner. Slide the shelf in the rest of the way.

### Door Bin

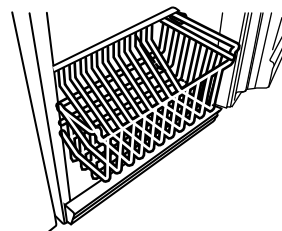
#### To Remove and Replace the Bin:

1. Remove the bin by tipping the front of the bin forward and sliding out.
2. Replace the bin by sliding it in above the desired support tilting it back into place.



### Storage Basket (on some models)

The slide out basket provides separate storage space for items that are difficult to store on freezer shelves. To remove the basket, pull out and lift up.



## FREEZER CARE

### Cleaning Your Frost-Free Freezer

#### ⚠ WARNING



#### Explosion Hazard

Use nonflammable cleaner.

Failure to do so can result in death, explosion, or fire.

Frost-free means that you will not have to defrost your freezer. Frost is removed by air moving and collecting any moisture and depositing it on the cooling coil. The cooling coil periodically warms up enough to melt the frost, and it then flows down to the drain pan (located behind the base grille) where it is evaporated.

Complete cleaning should be done at least once a year.

1. Turn temperature control to OFF position. See "Electrical Requirements."
2. Unplug freezer or disconnect power.
3. Remove all frozen food. Wrap frozen food in several layers of newspaper and cover with a blanket. Food will stay frozen for several hours. You may also store frozen food in a cooler, additional refrigerator-freezer, or in a cool area.
4. Remove all removable parts from inside, such as shelves, bins, etc.

5. Hand wash, rinse, and dry removable parts and interior surfaces thoroughly. Use a clean sponge or soft cloth and a mild detergent in warm water.
  - Do not use abrasive or harsh cleaners such as window sprays, scouring cleansers, flammable fluids, cleaning waxes, concentrated detergents, bleaches or cleansers containing petroleum products on plastic parts, interior and door liners or gaskets. Do not use paper towels, scouring pads, or other harsh cleaning tools. These can scratch or damage materials.
  - To help remove odors, you can wash interior walls with a mixture of warm water and baking soda (2 tbs to 1 qt [26 g to 0.95 L] of water).
6. Replace the removable parts.
7. Use the appropriate cleaning method for your exterior finish.

**Painted metal:** Wash exteriors with a clean sponge or soft cloth and a mild detergent in warm water. Do not use abrasive or harsh cleaners, or cleaners designed for stainless steel. Dry thoroughly with a soft cloth.

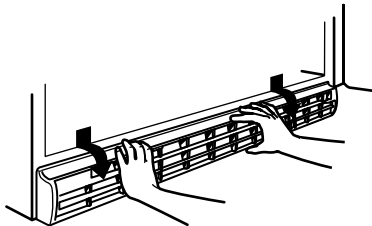
**Stainless steel finish:** Wash with a clean sponge or soft cloth and a mild detergent in warm water. Do not use abrasive or harsh cleaners. Dry thoroughly with a soft cloth.

- To keep your stainless steel freezer looking like new and to remove minor scuffs or marks, it is suggested that you use the manufacturer's approved Stainless Steel Cleaner and Polish.

**IMPORTANT:** This cleaner is for stainless steel parts only!

- Do not allow the Stainless Steel Cleaner and Polish to come into contact with any plastic parts such as the trim pieces, dispenser covers or door gaskets. If unintentional contact does occur, clean plastic part with a sponge and mild detergent in warm water. Dry thoroughly with a soft cloth.

8. Clean the condenser coils regularly. Coils may need to be cleaned as often as every other month. This may help save energy.
  - Open the freezer door and remove the base grille by pulling down and out from the top.



- Remove the defrost pan and clean it using a clean sponge or soft cloth and a mild detergent in warm water. Hand wash, rinse, and dry it thoroughly.
- Use a vacuum cleaner with an extended attachment to clean the condenser coils when they are dusty or dirty.
- Replace the defrost pan.
- Replace the base grille by putting the clips in the openings in the freezer panel. Push in until the base grille snaps into place.

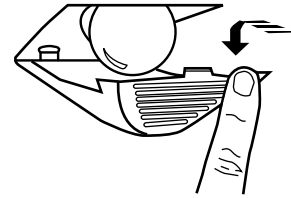
9. Replace all frozen food.
10. Plug in freezer or reconnect power.
11. Turn temperature control to desired setting. See "Using the Control."

---

## Changing the Light Bulb

**NOTE:** Not all appliance bulbs will fit your freezer. Be sure to replace the bulb with an appliance bulb of the same size, shape, and wattage (no greater than 40 watts).

1. Unplug freezer or disconnect power.
2. Remove the light shield. From the front of the light shield, push backward and down.



3. Replace the burned-out bulb with an appliance light bulb no greater than 40 watts.
  4. Replace the light shield.
  5. Plug in freezer or reconnect power.
- 

## Power Interruptions

If the power will be out for 24 hours or less, keep the door closed to help food stay cold and frozen.

If the power will be out for more than 24 hours, do one of the following:

- Remove all frozen food and store it in a frozen food locker.
- If a food locker is not available, consume or can perishable food at once.

After the power is restored, unplug the freezer for 30 minutes, to allow the refrigeration system to equalize. During this time keep the door closed whenever possible.

**REMEMBER:** A full freezer stays cold longer than a partially filled one. A freezer full of meat stays cold longer than a freezer full of baked goods. If you see that food contains ice crystals, it may be refrozen, although the quality and flavor may be affected. If the condition of the food is poor, dispose of it.

---

## Moving Care

When you are moving your freezer to a new home, follow these steps to prepare it for the move.

1. Remove all frozen food.
2. Unplug the freezer.
3. Take out all removable parts, wrap them well, and tape them together so they don't shift and rattle during the move.
4. Clean the freezer thoroughly.
5. Tape the freezer shut and tape the electrical cord to the cabinet.

When you get to your new home, refer to the "Installation Instructions" and "Freezer Use" sections for information on installation and setting the controls.

# TROUBLESHOOTING

Try the solutions suggested here first to avoid the cost of an unnecessary service call...

## Your freezer will not operate

### ⚠ WARNING



#### Electrical Shock Hazard

Plug into a grounded 3 prong outlet.

Do not remove ground prong.

Do not use an adapter.

Do not use an extension cord.

Failure to follow these instructions can result in death, fire, or electrical shock.

- **Is the power supply cord unplugged?** Plug into a grounded 3 prong outlet.
- **Has a household fuse blown or circuit breaker tripped?** Replace the fuse or reset the circuit breaker.
- **Is the Temperature Control turned to the OFF position?** See “Using the Control.”
- **Is the freezer defrosting (on some models)?** Recheck to see whether the freezer is operating in 30 minutes. Your freezer will regularly run an automatic defrost cycle.

## The lights do not work

### ⚠ WARNING



#### Electrical Shock Hazard

Plug into a grounded 3 prong outlet.

Do not remove ground prong.

Do not use an adapter.

Do not use an extension cord.

Failure to follow these instructions can result in death, fire, or electrical shock.

- **Is the power supply cord unplugged?** Plug into a grounded 3 prong outlet.
- **Is a light bulb loose in the socket or burned out?** See “Changing the Light Bulb.”

## There is water in the defrost drain pan (on some models)

- **Is the freezer defrosting?** The water will evaporate. It is normal for water to drip into the defrost pan.
- **Is it more humid than normal?** When it is humid, expect that the water in the defrost pan will take longer to evaporate.

## The motor seems to run too much

- **Is there excessive frost or a package keeping the door from closing?** Defrost and clean the freezer, or move the package so the door closes properly.
  - **Is the room temperature hotter than normal?** The motor will run longer under warm conditions. At normal room temperatures, your motor will run about 40% to 80% of the time. Under warmer conditions, it will run even more.
  - **Has a large amount of food just been added to the freezer?** Adding a large amount of food warms the freezer. The motor normally will run longer to cool the freezer back down.
  - **Is the door opened often?** The motor will run longer when this occurs. Conserve energy by getting all items out at one time, keeping food organized, and closing the door as soon as possible.
  - **Is the control set correctly for the surrounding conditions?** See “Using the Control.”
  - **Is the door completely closed?** Push the door firmly shut. If it will not shut all the way, see “The door will not close completely or is difficult to open” later in this section.
  - **Are the condenser coils dirty (on some models)?** This blocks air transfer and makes the motor work harder. Clean the condenser coils. See “Freezer Care.”
  - **Is the door gasket sealed all the way around?** Contact a qualified person or a technician.
  - **Is there enough air circulation space around the freezer?** See “Location Requirements.”
- NOTE:** If the problem is not due to any of the above, remember that your new freezer will run longer than your old one due to its high-efficiency motor.

## The ice maker is not producing ice or not enough ice (on some models)

- **Has the ice maker just been installed?** Wait 72 hours for full ice production to begin. Once your freezer is cooled, the ice maker should produce 70-120 cubes every 24 hours.
- **Is the freezer temperature cold enough to produce ice?** Wait 24 hours after hookup for ice production. See “Using the Control.”
- **Is the wire shutoff arm in the OFF (arm up) position?** Lower the wire shutoff arm to the ON (arm down) position. See “Ice Maker.”
- **Is the water line shutoff valve to the freezer turned on?** Turn on the water valve. See “Connect the Water Supply.”
- **Does the ice maker mold have water in it or has no ice been produced?** Be sure your freezer has been connected to a water supply and the supply shutoff valve is turned on. See “Connect the Water Supply.”

- **Is an ice cube jammed in the ejector arm?** Remove the ice from the ejector arm with a plastic utensil. See “Ice Maker.”
- **Has a large amount of ice just been removed?** Allow 24 hours for ice maker to produce more ice.
- **Is the control set correctly?** If too little ice is produced, see “Using the Control.”

**NOTE:** If not due to any of the above, there may be a problem with the water line. Call for service.

---

### Off-taste, odor or gray color in the ice (on some models)

---

- **Are the plumbing connections new, causing discolored or off-flavored ice?** Discard the first few batches of ice.
- **Have the ice cubes been stored too long?** Throw old ice away and make a new supply.

**⚠ WARNING**



**Explosion Hazard**

Use nonflammable cleaner.

Failure to do so can result in death, explosion, or fire.

- **Do the freezer and ice bin need to be cleaned?** See “Freezer Care.”
- **Does the water contain minerals (such as sulfur)?** A filter may need to be installed to remove the minerals.

---

### Temperature is too warm

---

- **Are the air vents blocked?** Move objects away from the air vents. See “Ensuring Proper Air Circulation” for air vent locations.
- **Is the door opened often?** Be aware that the freezer will warm when this occurs. In order to keep the freezer cool, try to get everything you need out of the freezer at once, keep food organized so it is easy to find, and close the door as soon as the food is removed.
- **Has a large amount of food just been added to the freezer?** Adding a large amount of food warms the freezer. It can take several hours for the freezer to return to the normal temperature.
- **Is the control set correctly for the surrounding conditions?** See “Using the Control.”

---

### The door will not close completely or is difficult to open

---

- **Are food packages blocking the door?** Rearrange containers so that they fit more tightly and take up less space.
- **Are the shelves and basket out of position (on some models)?** Put the shelves and basket back into their correct positions.

**⚠ WARNING**



**Explosion Hazard**

Use nonflammable cleaner.

Failure to do so can result in death, explosion, or fire.

- **Are the gaskets dirty or sticky?** Clean gaskets according to the directions in “Freezer Care.”
- **Does the freezer wobble or seem unstable?** See “Adjust the Door.”

---

### The freezer clicks but does not run

---

- **Has the local power failed?** Unplug the freezer for 30 minutes to allow the refrigeration system to equalize. During this time, keep the door closed whenever possible.

## ASSISTANCE OR SERVICE

Before calling for assistance or service, please check “Troubleshooting.” It may save you the cost of a service call. If you still need help, contact the dealer from whom you purchased the freezer.

### If you need replacement parts

Look for quality replacement parts whenever you need a replacement part for your freezer.

To locate factory specified replacement parts in your area, contact the dealer from whom you purchased your freezer.

---

### Warranty

---

Contact the dealer from whom you purchased the freezer for warranty information.

**Keep this book and your sales slip together for future reference. You must provide proof of purchase or installation date for in-warranty service.**

Write down the following information about your appliance to help you obtain assistance or service if you ever need it. You will need to know your complete model number and serial number. You can find this information on the model and serial number label, located on the inside wall of the freezer compartment.

Dealer name \_\_\_\_\_  
 Serial number \_\_\_\_\_  
 Address \_\_\_\_\_  
 Phone number \_\_\_\_\_  
 Model number \_\_\_\_\_  
 Purchase date \_\_\_\_\_

# SECURITE DU CONGELATEUR

## Votre sécurité et celle des autres est très importante.

Nous donnons de nombreux messages de sécurité importants dans ce manuel et sur votre appareil ménager. Assurez-vous de toujours lire tous les messages de sécurité et de vous y conformer.



Voici le symbole d'alerte de sécurité.

Ce symbole d'alerte de sécurité vous signale les dangers potentiels de décès et de blessures graves à vous et à d'autres.

Tous les messages de sécurité suivront le symbole d'alerte de sécurité et le mot "DANGER" ou "AVERTISSEMENT". Ces mots signifient :

**! DANGER**

**Risque possible de décès ou de blessure grave si vous ne suivez pas immédiatement les instructions.**

**! AVERTISSEMENT**

**Risque possible de décès ou de blessure grave si vous ne suivez pas les instructions.**

Tous les messages de sécurité vous diront quel est le danger potentiel et vous disent comment réduire le risque de blessure et ce qui peut se produire en cas de non-respect des instructions.

## IMPORTANTES INSTRUCTIONS DE SECURITE

**AVERTISSEMENT :** Pour réduire les risques d'incendie, de choc électrique ou des blessures lors de l'utilisation du congélateur, prendre quelques précautions fondamentales, y compris les suivantes :

- Brancher l'appareil sur une prise à 3 alvéoles reliée à la terre.
- Ne pas enlever la broche de liaison à la terre.
- Ne pas utiliser un adaptateur.
- Ne pas utiliser un câble de rallonge.
- Débrancher la source de courant électrique avant l'entretien.
- Replacer pièces et panneaux avant de faire la remise en marche.
- Utiliser un produit de nettoyage ininflammable.
- Ne pas employer de procédé mécanique, électrique ou chimique autre que celui recommandé par ce fabricant pour accélérer le processus de décongélation.
- Ne pas utiliser ou placer de dispositif électrique à l'intérieur des compartiments de l'appareil si ce dispositif ne correspond pas au type de dispositif expressément autorisé par le fabricant.
- Garder les matériaux et les vapeurs inflammables, telle que l'essence, loin du congélateur.
- Ne pas entreposer de substances explosives comme des aérosols avec agent propulseur inflammable dans cet appareil.
- Utiliser deux ou plus de personnes pour déplacer et installer le congélateur.
- Cet appareil ne convient pas à une utilisation par des personnes (y compris des enfants) à capacités physiques, sensorielles ou mentales réduites, ou possédant un manque d'expérience et de connaissances, à moins qu'elles ne soient placées sous supervision ou qu'elles aient reçu des instructions concernant l'utilisation de l'appareil par une personne responsable de leur sécurité.
- Pour éviter que les enfants ne soient coincés et ne suffoquent à l'intérieur de l'appareil, ne pas les laisser jouer ou se cacher à l'intérieur de l'appareil.
- Garder la clé loin des enfants.
- Enlever les portes ou le couvercle de votre vieux congélateur ou réfrigérateur.
- Débrancher la source de courant électrique avant l'installation de la machine à glaçons (seulement pour modèles prêts à recevoir une machine à glaçons).

**CONSERVEZ CES INSTRUCTIONS**



## Mise au rebut appropriée de votre vieux congélateur ou réfrigérateur

### **⚠ AVERTISSEMENT**

#### Risque de suffoquer

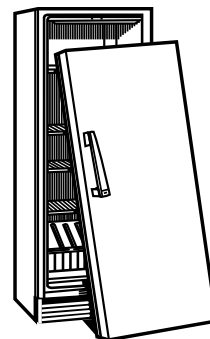
Enlever les portes ou le couvercle de votre vieux congélateur ou réfrigérateur.

Le non-respect de cette instruction peut causer un décès ou des lésions cérébrales.

**IMPORTANT** : Le problème des enfants trouvés enfermés ou étouffés n'est pas un problème révolu. Les congélateurs ou réfrigérateurs jetés ou abandonnés présentent des dangers, même s'ils sont abandonnés pendant "quelques jours" seulement. Si vous vous débarrassez de votre vieux réfrigérateur ou congélateur, veuillez suivre les instructions suivantes pour aider à éviter les accidents.

#### Avant de mettre au rebut votre vieux congélateur ou réfrigérateur :

- Enlever les portes ou le couvercle.
- Laisser les tablettes en place, de sorte que les enfants ne puissent pas facilement se glisser à l'intérieur.



## INSTRUCTIONS D'INSTALLATION

### Déballage

### **⚠ AVERTISSEMENT**

#### Risque du poids excessif

Utiliser deux ou plus de personnes pour déplacer et installer le congélateur.

Le non-respect de cette instruction peut causer une blessure au dos ou d'autre blessure.

#### Déplacement de votre congélateur :

Votre congélateur est lourd. Lors du déplacement de votre congélateur pour le nettoyage ou un entretien, veiller à recouvrir le plancher avec du carton ou un panneau de fibre dur pour éviter qu'il ne subisse tout dommage. Toujours tirer le congélateur tout droit lors du déplacement. Ne pas incliner le congélateur d'un côté ou de l'autre ni le "faire marcher" en essayant de le déplacer car le plancher pourrait être endommagé.

#### Avant d'utiliser l'appareil

Cet appareil est destiné à un usage domestique et à d'autres usages similaires tels :

- Espace de cuisine pour personnel de boutiques, bureaux et autres environnements professionnels
- Résidences fermières et utilisation par les clients d'hôtels, de motels et d'autres types de résidences
- Chambres d'hôtes

#### Nettoyage avant l'utilisation

Après avoir enlevé tous les matériaux d'emballage, nettoyer l'intérieur du congélateur avant l'utilisation. Voir les instructions de nettoyage à "Entretien du congélateur".

#### Enlèvement des matériaux d'emballage

- Enlever le ruban adhésif et la colle des surfaces du congélateur avant de le mettre en marche. Frotter une petite quantité de savon liquide pour la vaisselle sur l'adhésif avec les doigts. Rincer à l'eau tiède et essuyer.
- Ne pas utiliser d'instruments coupants, d'alcool à friction, de liquides inflammables ou de nettoyants abrasifs pour enlever le ruban adhésif ou la colle. Ces produits peuvent endommager la surface de votre congélateur. Pour plus de renseignements, voir "Sécurité du congélateur".

#### Importants renseignements à savoir au sujet des tablettes et des couvercles en verre :

Ne pas nettoyer les tablettes ou couvercles en verre avec de l'eau tiède quand ils sont froids. Les tablettes et les couvercles peuvent se briser s'ils sont exposés à des changements soudains de température ou à un impact tel que coup brusque. Le verre trempé est conçu pour éclater en d'innombrables pièces minuscules. Ceci est normal. Les tablettes et les couvercles en verre sont lourds. Les saisir à deux mains lors de leur dépose afin d'éviter de les faire tomber.

#### Sécurisation de l'environnement de l'appareil

Ce produit peut contenir des gaz à effet de serre fluorés entrant dans le cadre du Protocole de Kyoto; le gaz réfrigérant se trouve à l'intérieur d'un système hermétiquement fermé.

Gaz réfrigérant : R134A possède un potentiel de réchauffement global (PRG) de 1300.

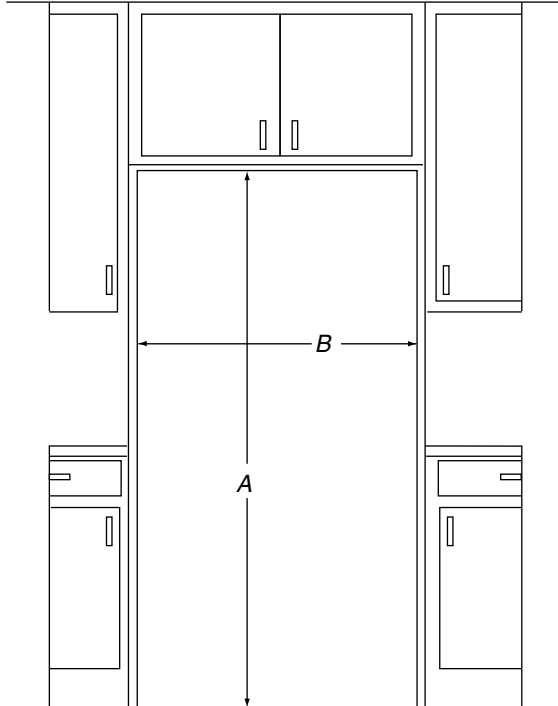


## Dimensions de l'ouverture

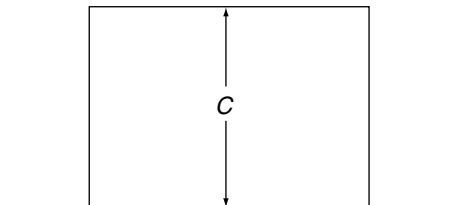
Les dimensions de hauteur sont illustrées avec les pieds de nivellement déployés à la hauteur minimale de ¼" (6,35 mm) sous le réfrigérateur.

**REMARQUE :** Lorsque les pieds de nivellement sont complètement déployés de 1" (25 mm) au-dessous du réfrigérateur, ajouter ¾" (19 mm) à la hauteur totale.

### VUE AVANT



### VUE DU DESSUS



Modèles : 5VEV188\*/5VMV188\*

#### Dimension B

Dimension A	Un seul appareil	2 appareils côte à côte	Dimension C
69" (175,3 cm)	36" (91,44 cm)	67" (170,2 cm)	26½" (67,3 cm)

\*Les dimensions comprennent 3" (7,62 cm) d'espace sur le dessus et sur les côtés, et 1" (2,54 cm) à l'arrière.

## Emplacement d'installation

### ⚠ AVERTISSEMENT



#### Risque d'explosion

**Garder les matériaux et les vapeurs inflammables, telle que l'essence, loin du congélateur.**

**Le non-respect de cette instruction peut causer un décès, une explosion ou un incendie.**

**IMPORTANT :** Ne pas installer le congélateur près d'un four, d'un radiateur ou d'une autre source de chaleur, ni dans un endroit où la température baissera au-dessous de 40°F (5°C).

Vérifier la solidité du plancher avant d'installer le congélateur. Le plancher doit supporter le poids d'un congélateur entièrement rempli d'aliments.

Laisser un espace de 1" (2,54 cm) derrière le congélateur.

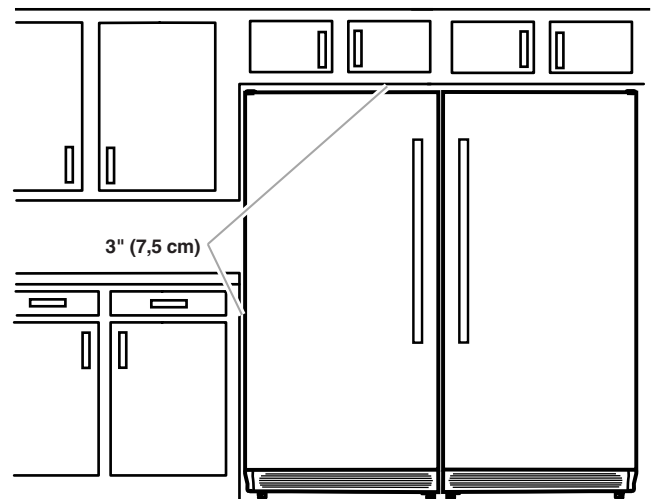
Si le congélateur doit être contre un mur, laisser un espace plus grand du côté des charnières pour que la porte puisse s'ouvrir davantage.

Garder les ouvertures d'aérations de l'appareil libres de toute obstruction.

Ne pas endommager les tubes du circuit réfrigérant de l'appareil.

Installer l'appareil dans un endroit sec et bien aéré.

**REMARQUE :** Ce congélateur peut être installé côte à côte avec un autre congélateur ou réfrigérateur.



## Spécifications électriques

### **⚠ AVERTISSEMENT**



#### Risque de choc électrique

**Brancher sur une prise à 3 alvéoles reliée à la terre.**

**Ne pas enlever la broche de liaison à la terre.**

**Ne pas utiliser un adaptateur.**

**Ne pas utiliser un câble de rallonge.**

**Le non-respect de ces instructions peut causer un décès, un incendie ou un choc électrique.**

L'appareil doit être alimenté par un circuit électrique relié à la terre et protégé par fusible de 220/240 V, 50/60 Hz, CA uniquement, 10 ampères.

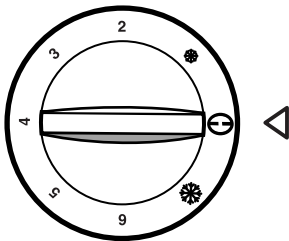
Avant de déplacer le congélateur à son emplacement final, il est important de vous assurer d'avoir le raccordement électrique approprié.

Il doit être possible de couper l'alimentation électrique de l'appareil en débranchant sa prise ou au moyen d'un interrupteur bipolaire monté en amont de la prise secteur.

#### Méthode recommandée de mise à la terre

Il est recommandé d'utiliser un circuit distinct pour alimenter uniquement le congélateur. Utiliser une prise de courant murale qui ne peut pas être mise hors circuit à l'aide d'un commutateur. Ne pas employer un câble de rallonge.

**REMARQUE :** Avant de procéder à tout type d'installation, de nettoyage ou de changement d'une ampoule, tourner la commande de température à la position d'ARRÊT tel qu'illustré puis déconnecter le congélateur de la source d'alimentation électrique.



## Spécifications de l'alimentation en eau

(pour modèles avec machine à glaçons)

Rassembler les outils et pièces nécessaires avant de commencer l'installation. Lire et suivre les instructions fournies avec les outils indiqués ici.

#### OUTILLAGE REQUIS :

- Tournevis à lame plate
- Tourne-écrou de 1/4"
- Clés plates de 7/16" et 1/2" ou deux clés à molette réglables
- Foret de 1/4"
- Perceuse sans fil

**REMARQUE :** Votre marchand de congélateurs présente une trousse disponible avec un robinet d'arrêt à étrier de 1/4" (6,35 mm), un raccord et un tube en cuivre. Avant l'achat, s'assurer que le robinet d'arrêt à étrier est conforme à vos codes locaux de plomberie. Ne pas employer de robinet d'arrêt à étrier de 3/16" (4,76 mm) ou de type à percer, ce qui réduit le débit d'eau et cause une obstruction plus facilement.

#### IMPORTANT :

- Si on doit utiliser le congélateur avant que la canalisation d'eau soit connectée, placer la commande de la machine à glaçons à la position d'ARRÊT.
- Toutes les installations doivent être conformes aux exigences des codes locaux de plomberie.
- Utiliser un tube en cuivre et vérifier l'absence de fuites. Installer les tubes en cuivre seulement à des endroits où la température se maintient au-dessus du point de congélation.

#### Pression de l'eau

Une alimentation en eau froide avec une pression entre 30 et 120 lb/po<sup>2</sup> (207 et 827 kPa) est nécessaire pour faire fonctionner le distributeur d'eau et la machine à glaçons. Si vous avez des questions au sujet de la pression de votre eau, appeler un plombier qualifié agréé.

#### Alimentation en eau par osmose inverse

**IMPORTANT :** La pression de l'alimentation en eau entre le système d'osmose inverse et la valve d'arrivée d'eau du congélateur doit être entre 30 et 120 lb/po<sup>2</sup> (207 et 827 kPa).

Si un système de purification de l'eau par osmose inverse est raccordé à votre alimentation en eau froide, la pression de l'eau au système doit être d'un minimum de 40 à 60 lb/po<sup>2</sup> (276 à 414 kPa).

Si la pression de l'eau au système d'osmose inverse est inférieure à 40 à 60 lb/po<sup>2</sup> (276 à 414 kPa) :

- Vérifier si le filtre à sédiment du système d'osmose inverse est bloqué et le remplacer si nécessaire.
- Laisser le réservoir du système d'osmose inverse se remplir après une utilisation intense.

Si vous avez des questions au sujet de la pression de votre eau, appeler un plombier qualifié agréé.

## Raccordement de la canalisation d'eau (pour modèles avec machine à glaçons)

### REMARQUES :

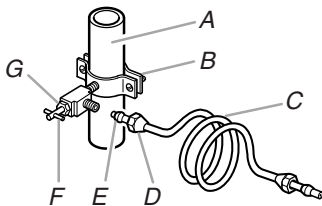
- Tous les appareils équipés d'une machine à glaçons et d'un distributeur d'eau automatiques doivent être raccordés uniquement à une arrivée d'eau potable (pression de l'eau du réseau comprise entre 0,21 et 0,83 MPa [2,1 et 8,3 bars]). Les machines à glaçons et/ou distributeurs d'eau dont le raccordement à l'alimentation en eau est indirect doivent être approvisionnés uniquement en eau potable.
- Pour le raccordement à l'eau, utiliser le tuyau fourni avec le nouvel appareil. Ne pas réutiliser celui de l'appareil précédent.

### Raccordement à une canalisation d'eau

1. Débrancher le congélateur ou déconnecter la source de courant électrique.
2. FERMER le robinet principal d'arrivée d'eau. OUVRIR le robinet de puisage le plus proche pendant une période suffisante pour que la canalisation d'eau se vide.
3. Trouver une canalisation d'eau froide verticale de 1/2" à 1/4" (12,7 mm à 3,18 cm) près du congélateur.

#### IMPORTANT :

- Assurez-vous qu'il s'agit d'un conduit d'eau froide.
  - Un conduit horizontal fonctionnera, mais percer par le dessus de la canalisation et non pas par le dessous. Ainsi, l'eau ne risquera pas d'arroser la perceuse. Ceci empêche également les sédiments qu'on trouve normalement dans l'eau de s'accumuler dans le robinet d'arrêt.
4. Pour déterminer la longueur du tube en cuivre, il faut mesurer la distance entre le point de connexion inférieur gauche à l'arrière du congélateur et le tuyau d'arrivée d'eau. Ajouter une longueur de 7 pi (2,1 m) pour permettre le déplacement du congélateur pour le nettoyage. Utiliser un tube en cuivre de 1/4" (6,35 mm) de diamètre extérieur. Veiller à ce que le tube soit coupé d'équerre aux deux extrémités.
  5. A l'aide d'une perceuse sans fil, percer un trou de 1/4" (6,35 mm) dans le tuyau de canalisation d'eau froide choisi.

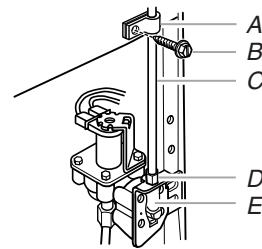


A. Canalisation d'eau froide  
B. Bride de tuyau  
C. Tube en cuivre  
D. Ecrou de compression  
E. Bague de compression  
F. Robinet d'arrêt  
G. Ecrou de serrage

6. Fixer le robinet d'arrêt sur la canalisation d'eau froide avec la bride de tuyau. Vérifier que le raccord du robinet est bien engagé dans le trou de 1/4" (6,35 mm) percé dans la canalisation et que la rondelle d'étanchéité est placée sous la bride de tuyau. Serrer l'écrou de serrage. Serrer soigneusement et uniformément les vis fixant la bride de tuyau sur la tuyauterie afin que la rondelle forme une jonction étanche. Ne pas serrer excessivement.
7. Enfiler l'écrou et la bague de compression du raccord sur le tube en cuivre comme on le voit sur l'illustration. Insérer l'extrémité du tube aussi loin que possible dans l'ouverture de sortie du robinet. Visser l'écrou du raccord de compression sur le raccord de sortie avec une clé à molette. Ne pas serrer excessivement.
8. Placer le bout libre du tube en cuivre dans un contenant ou évier et OUVRIR le robinet principal d'arrivée d'eau et laisser l'eau s'écouler par le tube jusqu'à ce qu'elle soit limpide. FERMER le robinet principal d'arrivée d'eau. Enrouler le tube en cuivre.

### Raccordement au congélateur

1. Retirer le couvercle d'accès au robinet du couvercle du compresseur sur la partie arrière inférieure de la caisse.
2. Connecter le tube en cuivre au robinet d'eau en utilisant un écrou et une bague de compression tel qu'illustré. Serrer l'écrou de compression. Ne pas serrer excessivement.
3. Insérer le robinet dans le couvercle du compresseur. Puis fixer le robinet à la caisse du congélateur avec une vis à métaux à tête hexagonale de 1/2".
4. Utiliser la bride du tube à l'arrière du congélateur pour fixer le tube en cuivre au congélateur tel qu'illustré. Ceci aide à éviter d'endommager le tube lorsque le congélateur est repoussé contre le mur.
5. OUVRIR le robinet d'arrêt. Vérifier l'absence de fuites. Serrer tous les raccords (y compris les raccords au niveau du robinet) ou les écrous qui fuient.



A. Bride du tube  
B. Vis de bride de tube  
C. Tube en cuivre  
D. Ecrou de compression  
E. Entrée d'eau de la valve

6. La machine à glaçons est équipée d'un filtre à eau incorporé. Si la qualité de l'eau distribuée localement nécessite un deuxième filtre à eau, il serait utile de l'installer dans le tube de raccordement de 1/4" (6,35 mm). On peut obtenir un tel filtre à eau chez le marchand d'appareils électroménagers le plus proche.

## ⚠ AVERTISSEMENT



### Risque de choc électrique

Brancher sur une prise à 3 alvéoles reliée à la terre.

Ne pas enlever la broche de liaison à la terre.

Ne pas utiliser un adaptateur.

Ne pas utiliser un câble de rallonge.

Le non-respect de ces instructions peut causer un décès, un incendie ou un choc électrique.

7. Brancher sur une prise à 3 alvéoles reliée à la terre.

## Porte du congélateur

### IMPORTANT :

- En fonction de la largeur de l'ouverture, il faudra peut-être retirer la poignée ou la porte pour pouvoir introduire le congélateur dans le domicile.
- Toutes les illustrations mentionnées dans les instructions suivantes sont incluses plus loin dans cette section après "Étapes finales". Si on inverse le sens d'ouverture de la porte, considérer l'image symétrique.
- Avant de commencer, tourner la commande à la position d'ARRÊT, et retirer les aliments et tout balconnet réglable ou compartiment utilitaire la porte.

**Outils nécessaires :** Clé à douille à tête hexagonale de 1/2" et clé à douille à tête hexagonale de 3/8"

### Retrait et réinstallation de la poignée

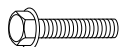
#### Retrait de la poignée :

1. Desserrer les vis de blocage situées sur le côté de la poignée à chaque extrémité. Voir l'illustration de la poignée.
2. Retirer la poignée des œillets.

#### Réinstallation de la poignée :

1. Placer la poignée sur les œillets en s'assurant que les œillets sont bien installés dans les trous de la poignée.
2. Serrer les vis de blocage supérieures et inférieures à l'aide de la clé à tête hexagonale fournie. Voir l'illustration de la poignée. Ne pas serrer excessivement les vis de blocage.

### Démontage—Porte et charnières



Vis de charnière à tête hexagonale de 5/16"

1. Débrancher le congélateur ou déconnecter la source de courant électrique.
2. Ouvrir la porte du congélateur et ôter la grille de la base située à l'avant de la partie inférieure du congélateur. Voir la grille de la base sur l'illustration.
3. Fermer la porte du congélateur; la maintenir fermée jusqu'au moment où on est prêt à la séparer de la caisse de l'appareil.  
**REMARQUE :** Prévoir un support additionnel des portes pendant la réinstallation des charnières. La force d'attraction des aimants de la porte ne suffit pas à la maintenir en place pendant l'installation.
4. Retirer les pièces de la charnière supérieure—voir l'illustration de la charnière supérieure.
5. Soulever la porte du congélateur pour la séparer de la charnière inférieure et de la caisse et la conserver à part.
6. Retirer les trois vis de charnière à tête hexagonale et la charnière inférieure. Voir l'illustration de la charnière inférieure.

### Réinstallation—Porte et charnières

1. Replacer les pièces de la charnière inférieure tel qu'illustré et serrer les vis. Voir l'illustration de la charnière inférieure. Réinstaller la porte du congélateur.  
**REMARQUE :** Prévoir un support additionnel de la porte pendant la réinstallation des charnières. La force d'attraction des aimants de la porte ne suffit pas à la maintenir en place.
2. Assembler les pièces de la charnière supérieure (voir l'illustration de la charnière supérieure). Ne pas complètement serrer les vis.
3. Aligner la porte de façon à ce que la ligne inférieure soit de niveau avec la caisse. Serrer toutes les vis.

### Étapes finales

## ⚠ AVERTISSEMENT



#### Risque de choc électrique

**Brancher sur une prise à 3 alvéoles reliée à la terre.**

**Ne pas enlever la broche de liaison à la terre.**

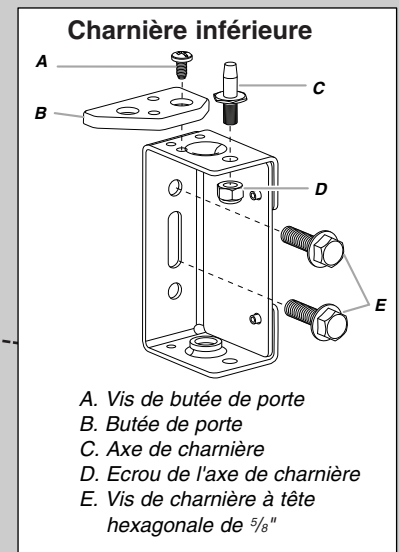
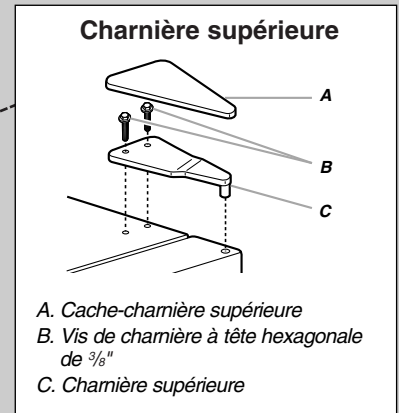
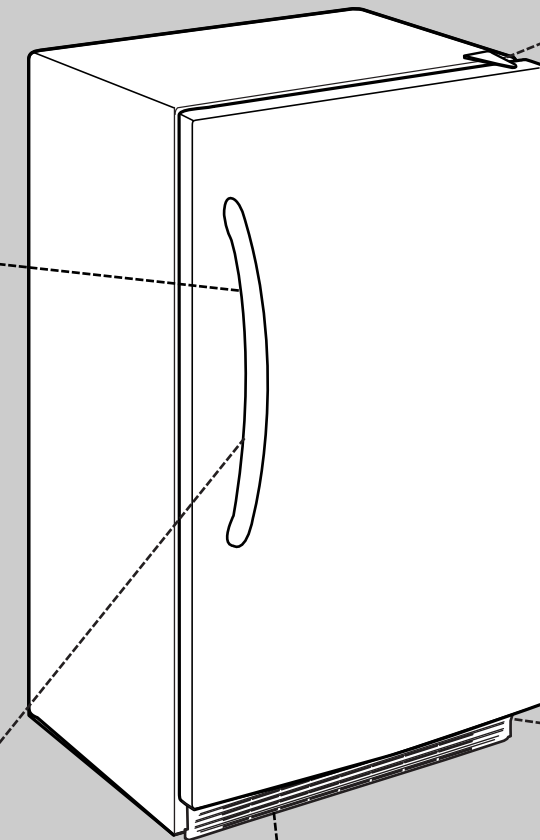
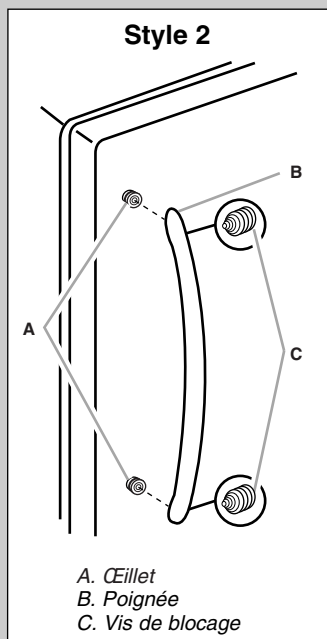
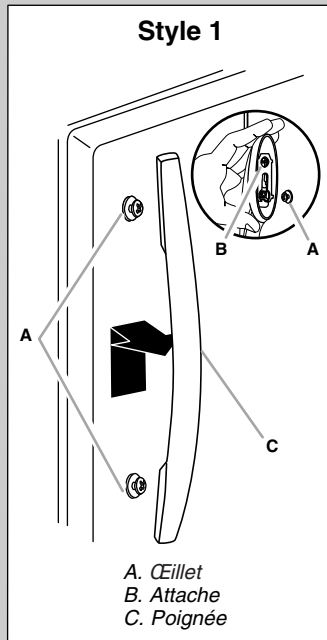
**Ne pas utiliser un adaptateur.**

**Ne pas utiliser un câble de rallonge.**

**Le non-respect de ces instructions peut causer un décès, un incendie ou un choc électrique.**

1. Brancher sur une prise à 3 alvéoles reliée à la terre.
2. Réinitialiser la commande. Voir "Utilisation de la commande".
3. Réinstaller toutes les pièces amovibles de la porte et remettre les aliments dans le congélateur.

## Dépose et réinstallation de la porte



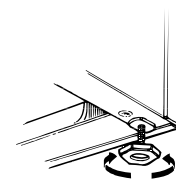
## Ajustement de porte

Votre congélateur comporte deux pieds réglables à l'avant, un de chaque côté. L'arrière du congélateur repose sur deux supports fixes.

1. Ajuster les pieds avant juste assez pour soulever la caisse au-dessus du sol.

**REMARQUE :** Si votre modèle est équipé de roulettes, les pieds avant doivent être suffisamment abaissés pour mettre les roulettes hors service et pour s'assurer que le congélateur ne roule pas vers l'avant lorsqu'on ouvre la porte.

2. Placer un niveau au sommet du congélateur d'abord de côté à côté, puis de l'avant à l'arrière. Tourner le pied dans le sens antihoraire pour soulever un coin. Tourner le pied dans le sens horaire pour abaisser un coin.

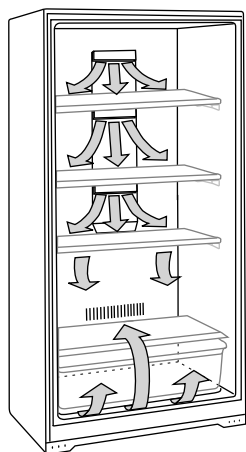


3. Répéter l'étape 2 jusqu'à ce que le congélateur soit d'aplomb.
4. Lorsque le congélateur est complètement rempli d'aliments, revérifier avec un niveau comme à l'étape 2.

# UTILISATION DU CONGÉLATEUR

## Pour s'assurer d'une circulation d'air appropriée

Pour s'assurer d'avoir des températures appropriées, il faut permettre à l'air de circuler dans le congélateur. Comme l'indique l'illustration, l'air froid pénètre par la paroi du congélateur et se déplace vers le bas. L'air recircule ensuite par l'évent près de la base.



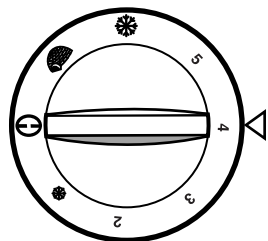
Ne pas obstruer l'une ou l'autre de ces ouvertures d'aération avec des emballages d'aliments. Si les ouvertures d'aération sont bloquées, le courant d'air sera coupé et des problèmes de température et d'humidité peuvent survenir.

**IMPORTANT :** Pour empêcher le transfert d'odeurs et l'assèchement des aliments, envelopper ou recouvrir hermétiquement les aliments.

## Utilisation de la commande

Tourner la commande de température du congélateur à 4. Ce réglage est destiné à maintenir la température à environ 0°F (-17,8°C) dans des conditions normales d'utilisation.

Laisser le congélateur refroidir pendant 6 à 8 heures avant de le remplir d'aliments congelés. Laisser le congélateur refroidir une nuit avant d'ajouter de grandes quantités d'aliments non congelés. Ne pas ajouter plus de 2 à 3 lb (907 à 1350 g) d'aliments non congelés par pied cube (28,32 L) d'espace de congélation.



**REMARQUE :** Lors de la mise en marche initiale du congélateur, le compresseur fonctionne constamment, jusqu'à ce que le congélateur ait refroidi. Ce refroidissement peut demander jusqu'à 6 ou 8 heures (ou plus), selon la température ambiante et la fréquence des ouvertures du congélateur. Lorsque la caisse est refroidie, le compresseur s'arrête et recommence au besoin, pour maintenir le congélateur à la température appropriée.

L'extérieur du congélateur peut paraître tiède. Ceci est normal. Le concept et la fonction principale du congélateur sont d'éliminer la chaleur des emballages et de l'espace d'air à l'intérieur du congélateur. La chaleur est transférée à l'air de la pièce, ce qui rend l'extérieur du congélateur tiède.

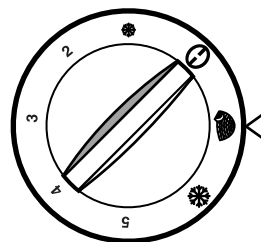
## Ajustement de la commande de température

- Tourner la commande à un chiffre plus élevé pour des températures plus froides.
- Tourner la commande à un chiffre plus bas pour des températures moins froides.

**REMARQUE :** L'icône en forme de petit flocon de neige représente le numéro 1 ou le réglage le moins froid. L'icône en forme de gros flocon de neige représente le numéro 6 ou le réglage le plus froid.

## Congélation rapide (sur certains modèles)

À ce réglage, le congélateur fonctionne continuellement et la température descend au plus bas niveau possible. Pour l'activer, régler le bouton de commande à l'icône en forme d'igloo, le réglage de congélation rapide. Utiliser cette caractéristique juste avant d'ajouter de grandes quantités d'aliments non congelés. Pour la meilleure qualité alimentaire, ne pas dépasser 3 livres (1350 g) par pied cube (28,32 L). Remettre la commande au réglage normal après 24 à 48 heures.



## Machine à glaçons (sur certains modèles)

**IMPORTANT :** Si le modèle ne comporte pas de machine à glaçons et que l'on souhaite en installer une, il faut acheter l'ensemble de machine à glaçons n° K013ECKMF87. Contacter le revendeur et commander la pièce numéro W10190943.

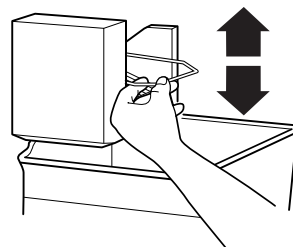
## Mise en marche/arrêt de la machine à glaçons

**REMARQUE :** Ne pas forcer le commutateur du levier métallique vers le haut ou vers le bas.

- Pour mettre la machine à glaçons en marche, il suffit d'abaisser le levier métallique.

**REMARQUE :** Votre machine à glaçons a un arrêt automatique. Au fur et à mesure de la fabrication de la glace, les glaçons remplissent le bac d'entreposage de glaçons. Les glaçons soulèvent le levier métallique à la position d'ARRÊT (élevée).

- Pour un arrêt manuel, soulever le levier métallique à la position d'ARRÊT (élevée) et attendre le déclic pour s'assurer que la machine à glaçons ne continuera pas de fonctionner.





## Taux de production de glaçons

La machine à glaçons devrait produire environ de 7 à 9 lots de glaçons par période de 24 heures. Si les glaçons ne sont pas fabriqués assez rapidement, tourner la commande de la température vers un chiffre plus élevé (plus froid) par étapes de un demi numéro. (Par exemple, si la commande est à 3, la déplacer entre 3 et 4.) Attendre 24 heures et, si nécessaire, tourner graduellement la commande de température au réglage le plus élevé, en attendant 24 heures entre chaque augmentation.

## À noter

- Accorder 24 heures pour produire la première quantité de glaçons. Jeter les trois premières quantités de glaçons produites.
- La qualité de vos glaçons sera seulement aussi bonne que la qualité de l'eau fournie à votre machine à glaçons. Éviter de brancher la machine à glaçons à un approvisionnement d'eau adoucie. Les produits chimiques adoucisseurs d'eau (tels que le sel) peuvent endommager des pièces de la machine à glaçons et causer une piètre qualité des glaçons. Si une alimentation d'eau adoucie ne peut pas être évitée, s'assurer que l'adoucisseur d'eau fonctionne bien et qu'il est bien entretenu.
- Ne rien garder sur le dessus de la machine à glaçons ou dans le bac d'entreposage à glaçons.

# CARACTÉRISTIQUES DU CONGÉLATEUR

Ce manuel couvre plusieurs modèles différents. Le congélateur que vous avez acheté peut comporter certaines ou toutes les caractéristiques indiquées ci-dessous. Les emplacements des caractéristiques peuvent ne pas correspondre au modèle que vous avez.

### Importants renseignements à savoir au sujet des tablettes et des couvercles en verre :

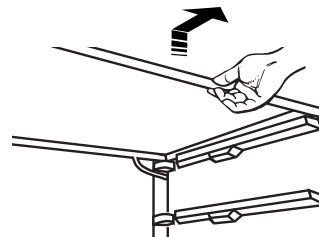
Ne pas nettoyer les tablettes ou couvercles en verre avec de l'eau tiède quand ils sont froids. Les tablettes et les couvercles peuvent se briser s'ils sont exposés à des changements soudains de température ou à un impact tel que coup brusque. Le verre trempé est conçu pour éclater en d'innombrables pièces minuscules. Ceci est normal. Les tablettes et les couvercles en verre sont lourds. Les saisir à deux mains lors de leur dépose afin d'éviter de les faire tomber.

## Tablettes de congélateur

Le remisage d'aliments semblables ensemble et le réglage des tablettes pour convenir à différentes hauteurs réduiront aussi le temps d'ouverture de la porte du congélateur, ce qui économisera de l'énergie.

### Pour retirer et réinstaller une tablette :

1. Enlever la tablette en la tirant légèrement vers l'avant pour aligner les butées de tablette avec les ouvertures dans la paroi interne du congélateur. Soulever verticalement et retirer la tablette complètement à l'extérieur.

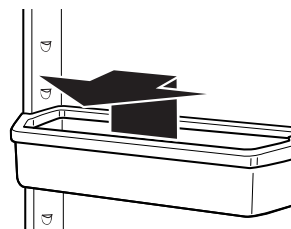


2. Réinstaller la tablette en abaissant les butées de la tablette dans les ouvertures dans la paroi interne du congélateur. Glisser la tablette complètement jusqu'au fond.

## Balconnet de porte

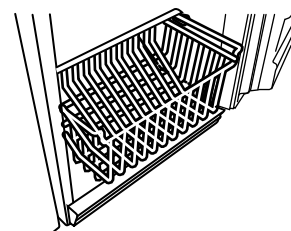
### Pour retirer et réinstaller le balconnet :

1. Retirer le balconnet en faisant basculer l'avant du balconnet vers l'avant et en le faisant glisser pour le sortir.
2. Réinstaller le balconnet en le faisant glisser au-dessus du support désiré et en le faisant basculer pour le remettre en place.



## Panier coulissant (sur certains modèles)

Le panier coulissant procure un espace de rangement séparé pour les articles difficiles à ranger sur les tablettes du congélateur. Pour retirer le panier, le tirer et le soulever.





# ENTRETIEN DU CONGÉLATEUR

## Nettoyage du congélateur sans givre

### **AVERTISSEMENT**



#### Risque d'explosion

Utiliser un produit de nettoyage ininflammable.

Le non-respect de cette instruction peut causer un décès, une explosion ou un incendie.

“Sans givre” signifie que le congélateur n’aura pas besoin d’être dégivré. Le givre est enlevé par l’air en circulation qui accapare toute humidité et la dépose sur le serpentin de refroidissement. Le serpentin de refroidissement se réchauffe périodiquement, juste assez pour faire fondre le givre, et ensuite l’écoule dans le plat d’égouttage (situé derrière la grille de la base) où le liquide s’évapore.

Un nettoyage complet doit être fait au moins une fois par an.

1. Tourner la commande de température à la position OFF (arrêt). Voir “Spécifications électriques”.
2. Débrancher le congélateur ou déconnecter la source de courant électrique.
3. Retirer tous les aliments congelés. Envelopper les aliments congelés dans plusieurs épaisseurs de journaux et recouvrir d’une couverture. Les aliments demeureront congelés pendant plusieurs heures. On peut aussi entreposer les aliments congelés dans un contenant refroidisseur, un congélateur-réfrigérateur additionnel ou dans un endroit froid.
4. Retirer toutes les pièces amovibles de l’intérieur, telles que les tablettes, bacs, etc.
5. Laver à la main, rincer et sécher les pièces amovibles et les surfaces internes à fond. Utiliser une éponge propre ou un linge doux et un détergent doux dans de l’eau tiède.
  - Ne pas utiliser des nettoyants abrasifs tels que les nettoyants à vitre en atomiseurs, nettoyants à récurer, liquides inflammables, cires nettoyantes, détergents concentrés, eaux de Javel ou nettoyants contenant du pétrole sur les pièces en plastique, les garnitures intérieures, ou les joints de portes. Ne pas utiliser d’essuie-tout, tampons à récurer ou autre outil de nettoyage abrasif. Ces produits risquent d’égratigner ou d’endommager les matériaux.
  - Pour aider à éliminer les odeurs, on peut laver les parois intérieures avec un mélange d’eau tiède et de bicarbonate de soude (2 c. à soupe pour 1 pinte [26 g pour 0,95 L] d’eau).
6. Replacer les pièces amovibles.
7. Utiliser la méthode de nettoyage adéquate pour votre finition extérieure.

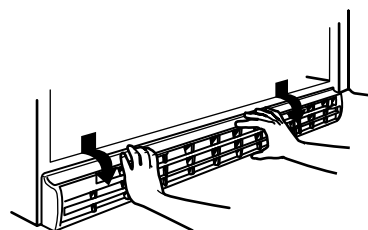
**Métal peint :** Laver les surfaces extérieures avec une éponge propre ou un linge doux et un détergent doux dans de l’eau tiède. Ne pas utiliser de nettoyant fort ou abrasif, ni de nettoyant conçu pour l’acier inoxydable. Sécher à fond avec un linge doux.

**Fini en acier inoxydable :** Laver avec une éponge propre ou un linge doux et un détergent doux dans de l’eau tiède. Ne pas utiliser de nettoyants forts ou abrasifs. Sécher à fond avec un linge doux.

- Pour que votre congélateur en acier inoxydable conserve son aspect neuf et pour enlever les petites égratignures ou marques, il est suggéré d’utiliser le nettoyant et poli pour acier inoxydable approuvé par le fabricant.

**IMPORTANT :** Ce nettoyant doit être utilisé sur les pièces en acier inoxydable uniquement!

- Veiller à ce que le nettoyant et poli pour acier inoxydable n’entre pas en contact avec les pièces de plastique telles que garnitures, couvercles de distributeurs ou joints de porte. En cas de contact non intentionnel, nettoyer la pièce de plastique avec une éponge et un détergent doux et de l’eau tiède. Sécher à fond avec un linge doux.
8. Nettoyer régulièrement les serpentins du condenseur. Il se peut que les serpentins aient besoin d’être nettoyés tous les deux mois. Ce nettoyage peut aider à économiser de l’énergie.
    - Ouvrir la porte du congélateur et retirer la grille de la base en la tirant vers le bas pour la dégager de la partie supérieure.

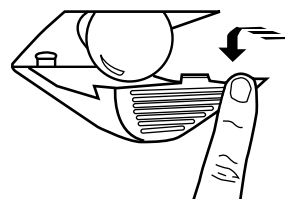


- Retirer le bac de dégivrage et le nettoyer en utilisant une éponge propre ou un linge doux et un détergent doux dans de l’eau tiède. Laver à la main, rincer et sécher complètement.
  - Utiliser un aspirateur avec un accessoire long pour nettoyer les serpentins du condenseur lorsqu’ils sont sales ou poussiéreux.
  - Réinstaller le bac de dégivrage.
  - Réinstaller la grille de la base en plaçant les attaches dans les ouvertures sur le panneau du congélateur. Enfoncer jusqu’à ce que la grille de la base s’enclenche en position.
9. Replacer tous les aliments congelés.
  10. Brancher le congélateur ou reconnecter la source de courant électrique.
  11. Tourner la commande de température au réglage désiré. Voir “Utilisation de la commande”.

## Remplacement de l'ampoule d'éclairage

**REMARQUE :** Votre congélateur ne pourra pas accommoder toutes les ampoules pour appareils ménagers. S’assurer de remplacer l’ampoule par une ampoule de grosseur, de forme et de wattage semblables (pas plus de 40 watts).

1. Débrancher le congélateur ou déconnecter la source de courant électrique.
2. Enlever le protège-ampoule. De l’arrière du protège-ampoule, tirer vers l’arrière et vers le bas.



3. Remplacer l’ampoule par une ampoule pour appareils électroménagers de même wattage (pas plus de 40 watts).

4. Réinstaller le protège-ampoule.
5. Brancher le congélateur ou reconnecter la source de courant électrique.

## Pannes de courant électrique

Si le courant électrique doit être interrompu pendant 24 heures ou moins, garder la porte fermée pour aider les aliments à demeurer froids et congelés.

Si le service doit être interrompu pendant plus de 24 heures, faire l'une des choses suivantes :

- Retirer tous les aliments congelés et les entreposer dans un casier frigorifique.
- S'il n'y a pas de casier frigorifique, consommer ou mettre immédiatement en conserve les aliments périssables.

Après avoir rétabli l'alimentation électrique, débrancher le congélateur pendant 30 minutes, pour permettre au système de réfrigération de se stabiliser. Pendant ce temps, laisser la porte fermée si possible.

**À NOTER :** Un congélateur plein restera froid plus longtemps qu'un congélateur partiellement rempli. Un congélateur plein de viande demeure froid plus longtemps qu'un congélateur rempli d'aliments cuits. Si les aliments contiennent des cristaux de glace, ils peuvent être remis à congeler, cependant la qualité et la saveur risquent d'être affectées. Si les aliments semblent de piètre qualité ou douteux, les jeter.

## Déménagement

En cas de déménagement et de déplacement du congélateur dans une nouvelle habitation, suivre ces étapes pour préparer le déménagement.

1. Enlever tous les aliments congelés.
2. Débrancher le congélateur.
3. Retirer toutes les pièces amovibles, bien les envelopper et les attacher ensemble avec du ruban adhésif pour qu'elles ne bougent ou ne s'entrechoquent pas durant le déménagement.
4. Bien nettoyer le congélateur.
5. Immobiliser le couvercle du congélateur avec un ruban adhésif et fixer le cordon électrique à la caisse avec un ruban adhésif.

Lorsque vous arrivez à la nouvelle demeure, consulter les sections "Instructions d'installation" et "Utilisation du congélateur" pour des renseignements sur l'installation et le réglage des commandes.

# DÉPANNAGE

Essayer les solutions suggérées ici d'abord afin d'éviter le coût d'une visite de service inutile...

### Le congélateur ne fonctionne pas

## ⚠ AVERTISSEMENT



### Risque de choc électrique

Brancher sur une prise à 3 alvéoles reliée à la terre.

Ne pas enlever la broche de liaison à la terre.

Ne pas utiliser un adaptateur.

Ne pas utiliser un câble de rallonge.

Le non-respect de ces instructions peut causer un décès, un incendie ou un choc électrique.

- **Le cordon d'alimentation électrique est-il débranché?**  
Brancher sur une prise à 3 alvéoles reliée à terre.
- **Le fusible est-il grillé ou le disjoncteur s'est-il déclenché?**  
Remplacer le fusible ou enclencher de nouveau le disjoncteur.
- **Le réglage de la commande de température est-il à la position d'ARRÊT?** Voir la section "Utilisation de la commande".
- **Le congélateur se dégivre-t-il (sur certains modèles)?**  
Vérifier de nouveau si le congélateur fonctionne après 30 minutes. Le congélateur exécute régulièrement un programme de dégivrage automatique.

### Les ampoules ne fonctionnent pas

## ⚠ AVERTISSEMENT



### Risque de choc électrique

Brancher sur une prise à 3 alvéoles reliée à la terre.

Ne pas enlever la broche de liaison à la terre.

Ne pas utiliser un adaptateur.

Ne pas utiliser un câble de rallonge.

Le non-respect de ces instructions peut causer un décès, un incendie ou un choc électrique.

- **Le cordon d'alimentation électrique est-il débranché?**  
Brancher sur une prise à 3 alvéoles reliée à terre.
- **Une ampoule d'éclairage est-elle dévissée dans la douille ou est-elle grillée?** Voir la section "Remplacement de l'ampoule d'éclairage".

## Le plat de dégivrage contient de l'eau (sur certains modèles)

- **Le congélateur est-il en train de se dégivrer?** L'eau s'évaporera. Il est normal que l'eau dégoutte dans le plat de dégivrage.
- **Y a-t-il plus d'humidité que d'habitude?** Lorsqu'il y a de l'humidité, prévoir que l'eau dans le plat de dégivrage prendra plus de temps à s'évaporer.

## Le moteur semble fonctionner excessivement

- **Est-ce que le givrage excessif ou un emballage empêche la porte de fermer?** Dégivrer et nettoyer le congélateur, ou déplacer l'emballage pour que la porte puisse bien se fermer.
- **La température ambiante est-elle plus chaude que la normale?** Prévoir que le moteur fonctionnera plus longtemps dans des conditions de chaleur. Aux températures ambiantes normales, prévoir que le moteur fonctionnera environ 40 % à 80 % du temps. Dans des conditions plus chaudes, prévoir un fonctionnement encore plus fréquent.
- **Une grande quantité d'aliments vient-elle d'être ajoutée dans le congélateur?** L'addition d'une grande quantité d'aliments réchauffe le congélateur. Il est normal que le moteur fonctionne plus longtemps afin de refroidir de nouveau le congélateur.
- **La porte est-elle ouverte fréquemment?** Prévoir que le moteur fonctionnera plus longtemps dans ce cas. Afin de conserver de l'énergie, essayer de sortir tout ce dont vous avez besoin en une fois, garder les aliments organisés et fermer la porte dès que possible.
- **La commande est-elle correctement réglée pour les conditions ambiantes?** Voir la section "Utilisation de la commande".
- **La porte est-elle fermée complètement?** Appuyer fermement sur la porte pour la fermer. Si elle ne ferme pas complètement voir "La porte ne ferme pas complètement ou est difficile à ouvrir" plus loin dans cette section.
- **Les serpentins du condenseur sont-ils sales (sur certains modèles)?** Ceci empêche l'air de passer et fait plus travailler le moteur. Nettoyer les serpentins du condenseur. Voir la section "Entretien du congélateur".
- **Le joint d'étanchéité de la porte est-il scellé complètement?** Contacter une personne qualifiée ou un technicien.
- **Y a-t-il suffisamment d'espace pour la circulation de l'air autour du congélateur?** Voir la section "Exigences d'emplacement".

**REMARQUE :** Si le problème n'est pas attribuable à l'une des causes ci-dessus, se rappeler que votre congélateur neuf fonctionnera plus longtemps que votre ancien, grâce à son moteur à haute efficacité.

## La machine à glaçons ne produit pas de glaçons ou pas assez (sur certains modèles)

- **La machine à glaçons vient-elle d'être installée?** Attendre 72 heures pour le commencement de la production complète de glaçons. Une fois que le congélateur est refroidi, la machine à glaçons devrait commencer à produire de 70 à 120 glaçons toutes les 24 heures.
- **La température du congélateur est-elle assez froide pour produire des glaçons?** Attendre 24 heures après le branchement pour la production de glaçons. Voir la section "Utilisation de la commande".
- **Le levier de la machine à glaçons est-il en position d'ARRÊT (élevée)?** Abaisser le levier métallique à la position de MARCHÉ (abaissée). Voir la section "Machine à glaçons".
- **Le robinet d'arrêt de la canalisation d'eau reliée au congélateur est-il ouvert?** Ouvrir le robinet d'eau. Voir la section "Raccordement de la canalisation d'alimentation en eau".
- **Y a-t-il de l'eau dans le moule de la machine à glaçons ou ne produit-elle pas de glaçons?** Vérifier si le congélateur a été branché à la canalisation d'eau de votre domicile, et si le robinet d'arrêt de la canalisation d'alimentation en eau est ouvert. Voir la section "Raccordement de la canalisation d'alimentation en eau".
- **Un glaçon est-il coincé dans le bras éjecteur?** Enlever le glaçon du bras éjecteur avec un ustensile en plastique. Voir la section "Machine à glaçons".
- **Une grande quantité de glaçons vient-elle d'être enlevée?** Attendre 24 heures pour que la machine à glaçons produise plus de glaçons.
- **La commande est-elle correctement réglée?** Si très peu de glaçons sont produits, voir la section "Utilisation de la commande".

**REMARQUE :** Si cette situation n'est pas attribuable à ce qui précède, il peut exister un problème avec la canalisation d'eau. Faire un appel de service.

## Mauvais goût, odeur ou couleur grise des glaçons (sur certains modèles)

- **Les raccords de plomberie sont-ils neufs et causent-ils une décoloration et un mauvais goût des glaçons?** Jeter les premières quantités de glaçons.
- **Les glaçons ont-ils été gardés trop longtemps?** Jeter les vieux glaçons et en faire une nouvelle provision.

## AVERTISSEMENT



### Risque d'explosion

Utiliser un produit de nettoyage ininflammable.

Le non-respect de cette instruction peut causer un décès, une explosion ou un incendie.

- **Le congélateur et le bac à glaçons ont-ils besoin d'être nettoyés?** Voir la section "Entretien du congélateur".
- **L'eau contient-elle des minéraux (tels que le soufre)?** L'installation d'un filtre peut être requise afin d'éliminer les minéraux.

## La température est trop chaude

- **Les ouvertures d'aération sont-elles bloquées?** Enlever les objets devant les ouvertures. Voir la section "Pour s'assurer d'une circulation d'air appropriée" pour l'emplacement des ouvertures.
- **La porte est-elle ouverte fréquemment?** Le congélateur sera plus chaud lorsque la porte est ouverte fréquemment. Pour garder le congélateur froid, essayer de prendre tout ce dont vous avez besoin dans le congélateur à la fois, garder les aliments organisés, de sorte qu'il est facile de les trouver, et fermer la porte dès que les aliments sont retirés.
- **Une grande quantité d'aliments vient-elle d'être ajoutée au congélateur?** L'addition d'une grande quantité d'aliments réchauffe le congélateur. Plusieurs heures peuvent être nécessaires au congélateur pour retourner à la température normale.
- **La commande est-elle réglée correctement pour les conditions ambiantes?** Voir la section "Utilisation de la commande".

## La porte ne ferme pas complètement ou est difficile à ouvrir

- **Des emballages alimentaires bloquent-ils l'ouverture de la porte?** Redisposer les contenants de sorte qu'ils soient plus serrés et prennent moins d'espace.
- **Le panier et les tablettes sont-ils déplacés? (sur certains modèles)?** Placer les tablettes et le panier à leur position correcte.

## AVERTISSEMENT



### Risque d'explosion

Utiliser un produit de nettoyage ininflammable.

Le non-respect de cette instruction peut causer un décès, une explosion ou un incendie.

- **Les joints sont-ils sales ou collants?** Nettoyer les joints d'après les directives de la section "Entretien du congélateur".
- **Le congélateur bouge-t-il ou semble-t-il instable?** Voir la section "Ajustement de porte".

## Le congélateur émet un déclic, mais ne fonctionne pas

- **Y a-t-il eu une panne de courant au niveau local?** Débrancher le congélateur pendant 30 minutes pour permettre au système de réfrigération de se stabiliser. Au cours de ce temps, garder la porte fermée autant que possible.

# ASSISTANCE OU SERVICE

Avant de faire un appel pour assistance ou service, veuillez vérifier la section "Dépannage". Cette vérification peut vous faire économiser le coût d'une intervention de dépannage.

Si l'utilisateur a toujours besoin d'aide, contacter le revendeur auprès duquel le réfrigérateur a été acheté.

## Si vous avez besoin de pièces de rechange

Rechercher des pièces de rechange de qualité lorsque l'on a besoin d'obtenir des pièces de rechange pour le réfrigérateur.

Pour localiser des pièces de rechange spécifiées par l'usine dans votre région, contacter le revendeur auprès duquel le réfrigérateur a été acheté.

## Garantie

Contactez le revendeur auprès duquel le réfrigérateur a été acheté pour des renseignements sur la garantie.

**Conserver ce manuel et le reçu de vente au même endroit pour référence ultérieure. Pour un entretien ou une réparation sous garantie, un document attestant de la date d'achat ou d'installation doit être fourni.**

Inscrire les renseignements suivants concernant l'appareil ménager pour obtenir de l'aide ou une intervention de dépannage en cas de besoin. Il faut connaître le numéro de modèle et le numéro de série au complet.

Ces renseignements se trouvent sur la plaque signalétique située sur la paroi intérieure du compartiment de réfrigération.

Nom du revendeur \_\_\_\_\_

Numéro de série \_\_\_\_\_

Adresse \_\_\_\_\_

Numéro de téléphone \_\_\_\_\_

Numéro de modèle \_\_\_\_\_

Date d'achat \_\_\_\_\_



## المساعدة أو الخدمة

احتفظ بهذا الكتاب وإيصال المبيعات معا للرجوع إليهما في المستقبل.  
ويجب تقديم دليل الشراء أو تاريخ التركيب للحصول على الخدمات  
المشمولة بالضمان.

سجل المعلومات التالية المتعلقة بجهازك للحصول على المساعدة أو الدعم  
اللازم في الوقت الذي تحتاج إليه. ولا بد من معرفة الرقم الكامل لطراز  
الجهاز ورقمه التسلسلي. كما يمكنك الوصول لمعلومات هذا الطراز وملصق  
الرقم التسلسلي مطبوعة على الجدار الداخلي من حجرة المبرد.

اسم الموزع \_\_\_\_\_  
الرقم التسلسلي \_\_\_\_\_  
العنوان \_\_\_\_\_  
رقم الهاتف \_\_\_\_\_  
رقم الموديل \_\_\_\_\_  
تاريخ الشراء \_\_\_\_\_

قبل الاتصال للحصول على المساعدة أو الخدمة، يرجى الاطلاع على  
"استكشاف الأعطال وإصلاحها". فقد يؤدي ذلك إلى توفير نفقات الاتصال  
بمركز الخدمة.

إذا كنت بحاجة إلى المساعدة، يُرجى الاتصال بالموزع الذي ابتعت منه  
المجمد.

### إذا كنت بحاجة لقطع غيار

يُرجى البحث عن قطع الغيار جيدة عند الحاجة إلى قطع غيار للمجمد.  
لمعرفة منافذ بيع قطع الغيار الموصى بها في منطقتك، يُرجى الاتصال  
بالموزع الذي ابتعت منه المجمد.

### الضمان

اتصل بالموزع الذي ابتعت منه المجمد للتعرف على المعلومات الخاصة  
بالضمان.

## درجة الحرارة دافئة للغاية

- هل فتحات الهواء مسدودة؟ قم بتحريك الأشياء بعيدا عن فتحات التهوية. راجع "ضمان سلامة دوران الهواء" لمواقع منفذ الهواء.
- هل يُفتح الباب في كثير من الأحيان؟ اعلم أن المجمد سوف يذفأ عندما يحدث هذا. ومن أجل الحفاظ على المجمد باردا، حاول الحصول على كل ما تحتاجه من المجمد دفعة واحدة، ونظم الطعام حتى يسهل العثور عليه، وأغلق الباب بمجرد إزالة الأطعمة.
- هل تمت إضافة كمية كبيرة من الطعام إلى الثلاجة؟ إن إضافة كمية كبيرة من الطعام تزيد من درجة حرارة المجمد. قد يستغرق المجمد عدة ساعات للعودة إلى درجة الحرارة العادية.
- هل التحكم مضبوط بشكل صحيح للظروف المحيطة؟ راجع "استخدام مفتاح التحكم".

## لن يغلق الباب تماما أو من الصعب فتحه

- هل حزم الطعام تعوق الباب؟ أعد ترتيب الحاويات بحيث تتناسب بشكل أكثر إحكاما وتأخذ مساحة أقل.
- هل الرفوف والسلة ليست في أماكنها (في بعض الموديلات)؟ ضع الرفوف والسلة في مواضعها الصحيحة مرة أخرى.

## تحذير



### خطر الانفجار

استخدم منظفات غير قابلة للاشتعال.  
قد يؤدي عدم القيام بذلك إلى الوفاة أو الانفجار أو الحريق.

- هل الحشايما متسخة أو لزجة؟ نظف الحشايما وفقا للتوجيهات في "العناية بالمجمد".
- هل يتمايل المجمد أو يبدو غير مستقر؟ راجع "ضبط الباب".

## يصدر المجمد صوت النقر ولكن لا يعمل

- هل انقطعت القدرة المحلية؟ افصل قابس المجمد لمدة 30 دقيقة للسماح لنظام التبريد بالتعادل. وخلال هذا الوقت اجعل الباب مغلقا كلما أمكن ذلك.

- هل صمام إغلاق أنبوب المياه للمجمد في وضع تشغيل؟ قم بتشغيل صمام المياه. راجع "توصيل مصدر المياه".
- هل قالب صانع الثلج به مياه أم لم يتم إنتاج الثلج؟ تأكد أن المجمد قد تم توصيله بمصدر المياه وأن صمام إغلاق المصدر في وضع تشغيل. راجع "توصيل مصدر المياه".
- هل ينحشر مكعب ثلج في ذراع القاذف؟ قم بإزالة الثلج من ذراع القاذف بإتداء من البلاستيك. راجع "صانع الثلج".
- هل تم إزالة كمية كبيرة من الثلج للثو؟ اترك 24 ساعة لصانع الثلج لإنتاج المزيد من الثلج.
- هل مفتاح التحكم مضبوط بشكل مناسب؟ إذا تم إنتاج ثلج قليل جدا، فراجع "استخدام مفتاح التحكم".
- ملاحظة: إن لم يكن بسبب أي من المذكور أعلاه، فقد يكون هناك مشكلة في أنبوب المياه. استدع الخدمة.

## مظهر الثلج غير معتاد أو رائحته كريهة أو لونه رمادي (في بعض الموديلات)

- هل الوصلات الصحية جديدة وتجعل الثلج يبدو بمظهر غير معتاد أو متغير لونه؟ تجاهل الدفعات الأولى للثلج.
- هل تم تخزين مكعبات الثلج وقتا طويلا؟ تخلص من الثلج القديم واصنع مخزونا جديدا.

## تحذير



### خطر الانفجار

استخدم منظفات غير قابلة للاشتعال.  
قد يؤدي عدم القيام بذلك إلى الوفاة أو الانفجار أو الحريق.

- هل يحتاج المجمد وصندوق الثلج إلى التنظيف؟ راجع "العناية بالمجمد".
- هل يحتوي الماء على معادن (مثل الكبريت)؟ قد يلزم تركيب مرشح لإزالة المعادن.



## استكشاف الأعطال وإصلاحها

جرب الحلول المقترحة هنا أولاً لتجنب تكلفة مكالمة الخدمة غير الضرورية...

هناك مياه في وعاء تصريف إزالة الصقيع (في بعض الموديلات)

- هل المجمد يقوم بإزالة الصقيع؟ سوف تتبخر المياه. ومن الطبيعي للمياه أن تتساقط في وعاء إزالة الصقيع.
- هل هو أكثر رطوبة من المعتاد؟ عندما يكون رطباً، توقع أن المياه في وعاء إزالة الصقيع ستستغرق وقتاً أطول لتتبخر.

يبدو أن المحرك يدور أكثر مما ينبغي

- هل هناك صقيع زائد أو حزمة تمنع الباب من الإغلاق؟ قم بإزالة الصقيع ونظف المجمد، أو حرك الحزمة بحيث ينغلق الباب بشكل صحيح.
- هل درجة حرارة الغرفة أكثر سخونة من المعتاد؟ سيتم دوران المحرك لمدة أطول في ظل الظروف الدافئة. وفي درجة حرارة الغرفة العادية، سوف يدور المحرك حوالي 40% إلى 80% من الوقت. وفي ظل ظروف أكثر دفئاً، فإنه سيتم الدوران أكثر من ذلك.
- هل تم إضافة كمية كبيرة من الطعام إلى المجمد؟ إن إضافة كمية كبيرة من الطعام تزيد من درجة حرارة المجمد. وسيتم دوران المحرك عادة وقتاً أطول لتبريد المجمد مرة أخرى.
- هل يُفتح الباب في كثير من الأحيان؟ سيتم دوران المحرك لمدة أطول عندما يحدث هذا. وفر الطاقة عن طريق الحصول على جميع الأصناف في وقت واحد، واجعل الأطعمة منضمة، وأغلق الباب في أسرع وقت ممكن.
- هل مفتاح التحكم مضبوط بشكل صحيح للظروف المحيطة؟ راجع "استخدام مفتاح التحكم".
- هل الباب مغلق تماماً؟ ادفع الباب للانغلاق بإحكام. وإذا لم ينغلق إلى النهاية، راجع "لن ينغلق الباب تماماً أو من الصعب فتحه" لاحقاً في هذا القسم.
- هل ملفات المكثف متسخة (في بعض الموديلات)؟ هذا يعيق نقل الهواء ويجعل عمل المحرك أصعب. نظف ملفات المكثف. راجع "العناية بالمجمد".
- هل حشوة الباب محكمة حتى النهاية حوله؟ اتصل بشخص مؤهل أو فني.
- هل هناك مساحة كافية لدوران الهواء حول المجمد؟ راجع "متطلبات الموقع".
- ملاحظة: إذا لم تكن المشكلة بسبب أي من المذكور أعلاه، فتذكر أن مجمدك الجديد بك سوف يدور لمدة أطول عن القديم بسبب أن محركه ذو كفاءة عالية.

صانع الثلج لا ينتج ثلجاً أو الثلج لا يكفي (في بعض الموديلات)

- هل تم تركيب صانع الثلج للثو؟ انتظر 72 ساعة ليبدأ إنتاج الثلج الكامل. وحالما يتم تبريد المجمد، ينبغي أن ينتج صانع الثلج مكعبات 70-120 مكعباً كل 24 ساعة.
- هل درجة حرارة المجمد باردة بما يكفي لإنتاج الثلج؟ انتظر 24 ساعة بعد الاقتران لإنتاج الثلج. راجع "استخدام مفتاح التحكم".
- هل ذراع الإغلاق السلبي في موضع الإيقاف OFF (أوقف تشغيل) (الذراع لأعلى)؟ اخفض ذراع الإغلاق السلبي لموضع التشغيل ON (بتشغيل) (الذراع لأسفل). راجع "صانع الثلج".

لن يعمل المجمد المجمد

تحذير



خطر الصدمة الكهربائية

أدخل القابس في منفذ ذي 3 شعاب مؤرّض.  
لا تقم بإزالة الشعبة الأرضية.  
لا تستخدم محولاً.  
لا تستخدم سلك إطالة.  
قد يؤدي عدم اتباع هذه الإرشادات إلى الوفاة أو الحرق أو الصدمة الكهربائية.

- هل سلك مصدر القدرة غير موصول؟ أدخل القابس في منفذ ذي 3 شعاب مؤرّض.
- هل احترق المنصهر المنزلي أو تعثر قاطع الدائرة؟ استبدل المنصهر أو أعد ضبط قاطع الدائرة.
- هل مفتاح التحكم في درجة الحرارة مدار إلى وضع الإيقاف OFF (أوقف تشغيل)؟ راجع "استخدام مفتاح التحكم".
- هل المجمد يزيل الصقيع (في بعض الموديلات)؟ أعد الفحص لمعرفة ما إذا كان المجمد يعمل في غضون 30 دقيقة. سوف يُجري المجمد بشكل منتظم دورة إزالة صقيع تلقائية.

الأضواء لا تعمل

تحذير



خطر الصدمة الكهربائية

أدخل القابس في منفذ ذي 3 شعاب مؤرّض.  
لا تقم بإزالة الشعبة الأرضية.  
لا تستخدم محولاً.  
لا تستخدم سلك إطالة.  
قد يؤدي عدم اتباع هذه الإرشادات إلى الوفاة أو الحرق أو الصدمة الكهربائية.

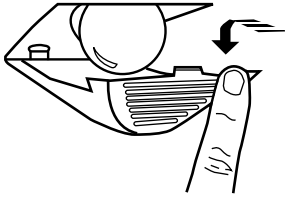
- هل سلك مصدر القدرة غير موصول؟ أدخل القابس في منفذ ذي 3 شعاب مؤرّض.
- هل المصباح غير ثابت في المقبس أو احترق؟ راجع "تغيير المصباح".

4. قم بإزالة جميع الأجزاء القابلة للإزالة من الداخل، مثل الرفوف والصناديق وغيرها.
5. اغسل باليد واشطف وجفف الأجزاء القابلة للإزالة والأسطح الداخلية تماما. واستخدم قطعة إسفنج نظيفة أو قطعة قماش ناعمة ومنظف معتدل في المياه الدافئة.

## تغيير المصباح

**ملاحظة:** لا تناسب كل مصابيح الأجهزة المجمد الخاص بك. تأكد من استبدال المصباح بمصباح الجهاز الذي له نفس الحجم والشكل والقوة الكهربائية (ليست أكبر من 40 واط).

1. انزع قابس المجمد أو افضل القدرة.
2. قم بإزالة حجاب الضوء. من مقدمة حجاب الضوء، ادفع إلى الخلف ولأسفل.



3. استبدال المصباح المستهلك بمصباح جهاز لا يزيد عن 40 واط.
4. أعد تركيب حجاب الضوء مرة أخرى.
5. أدخل قابس المجمد أو أعد توصيل القدرة.

## انقطاع الكهرباء

إذا انقطعت القدرة لمدة 24 ساعة أو أقل، فاجعل الباب مغلقا لمساعدة الأطعمة أن تبقى باردة ومجمدة.

إذا انقطعت القدرة لأكثر من 24 ساعة، فقم بأحد الإجراءات التالية:

- قم بإزالة جميع الأطعمة المجمدة وازنها في خزانة الأطعمة المجمدة.
- إذا لم تتوفر خزانة الطعام، فاستهلك الأطعمة القابلة للتلف أو قم بتعليقها في الحال.

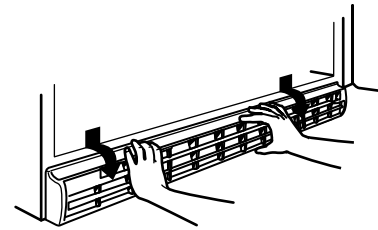
بعد استعادة القدرة، افضل قابس المجمد لمدة 30 دقيقة، للسماح للنظام التبريد بالتعادل. وخلال هذا الوقت اجعل الباب مغلقا كلما أمكن ذلك.

**تذكر:** يبقى المجمد المليء باردا لمدة أطول من المملوء جزئيا. يبقى المجمد المليء باللحوم باردا لمدة أطول من المجمد المملوء بالمخبوزات. إذا رأيت أن الطعام يحتوي على بلورات الثلج، يمكن إعادة تجميده، وإن كان من المحتمل أن تتأثر النوعية والنكهة. إذا كانت حالة الطعام رديئة، فتخلص منه.

## العناية أثناء النقل

عندما تقوم بنقل المجمد إلى منزل جديد، اتبع هذه الخطوات لتجعله جاهزا للنقل.

1. قم بإزالة جميع الأطعمة المجمدة.
  2. افضل قابس المجمد.
  3. أخرج جميع أجزاء القابلة للإزالة، ولفها بشريط ربط بشكل جيد، ولفها معا حتى لا تتحرك وتخشخش أثناء التنقل.
  4. نظف المجمد بشكل كامل.
  5. لف المجمد واربطه بشريط الربط ولف السلك الكهربائي بالخزانة.
- عند الوصول إلى منزلك الجديد، ارجع إلى قسمي "تعليمات التركيب" و "استخدام المجمد" للحصول على معلومات حول تركيب وإعداد الضوابط.

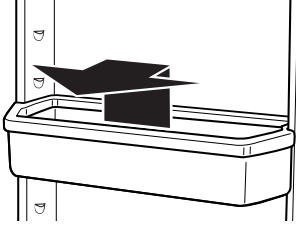


- قم بإزالة وعاء إزالة الصقيع ونظفه باستخدام قطعة إسفنج نظيفة أو قطعة قماش ناعمة ومنظف معتدل في المياه الدافئة. اغسل باليد واشطف وجففه تماما.
- استخدم مفرغ هواء بملحق الموسعة ممتداً لتنظيف ملفات المكثف عندما تكون مغبرة أو متسخة.
- أعد تركيب وعاء إزالة الصقيع.
- أعد تركيب شبكة القاعدة من خلال وضع مشابك في الفتحات الموجودة في لوحة المجمد. وادفعها للداخل حتى تستقر شبكة القاعدة في الموضع الصحيح.

## صندوق الباب

## إزالة الصندوق وإعادة تركيبه:

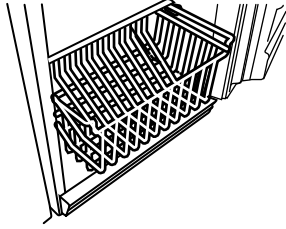
1. قم بإزالة الصندوق عن طريق ضرب مقدمة الصندوق ضربة خفيفة أماما وزلقه للخارج.
2. أعد تركيب الصندوق عن طريق زلقه فوق الدعم المطلوب وإمالاته في مكانه.



## سلة التخزين

(في بعض الموديلات)

توفر السلة المنزقة للخارج مساحة تخزين منفصلة للعناصر التي يصعب تخزينها على رفوف المجمد. وإزالة السلة، اسحبها للخارج وارفعها.



## العناية بالمجمد

## تنظيف مجمدك المانع للصقيع

⚠ تحذير



## خطر الانفجار

استخدم منظفات غير قابلة للاشتعال.  
قد يؤدي عدم القيام بذلك إلى الوفاة أو الانفجار أو الحريق.

يعني خال من الصقيع أنك لن تضطر إلى تذويب الصقيع لمجمدك. ويتم إزالة الصقيع عن طريق الهواء الذي يتحرك ويجمع أي رطوبة ويودعها في ملف التبريد. ويسخن ملف التبريد دوريا بما يكفي لإذابة الصقيع، وحينئذ يتدفق لأسفل إلى وعاء التصريف (الواقع خلف شبكة القاعدة) حيث يتبخر. وينبغي أن يتم التنظيف الكامل على الأقل مرة واحدة في السنة.

1. أدر التحكم في درجة الحرارة لوضع الإيقاف OFF. راجع "المتطلبات الكهربائية".
2. انزع قابس المجمد أو افصل القدرة.
3. قم بإزالة جميع الأطعمة المجمدة. لف الأطعمة المجمدة بعدة طبقات من ورق الصحف وغطها ببطانية. وسوف تبقى الأطعمة مجمدة لعدة ساعات. وقد تخزن أيضا الأطعمة المجمدة في مُبرد، مجمد-ثلاجة إضافي أو في مكان بارد.

ينبغي أن ينتج صانع الثلج ما يقرب من 7 إلى 9 دفعات من الثلج في فترة 24 ساعة. إذا لم يتم صنع الثلج بسرعة كافية، فأدر مفتاح التحكم في درجة الحرارة نحو رقم أعلى (أكثر برودة) بخطوات نصف رقمية. (على سبيل المثال، إذا كان مفتاح التحكم عند 3، فحركه بين 3 و 4). انتظر لمدة 24 ساعة، وإذا لزم الأمر، أدر تدريجيا التحكم في درجة الحرارة إلى أعلى إعداد، وانتظر 24 ساعة بين كل زيادة.

## تذكر

- اترك 24 ساعة لإنتاج الدفعة الأولى للثلج. وتجاهل أول ثلاث دفعات للثلج المنتج.
- إن نوعية الثلج تكون فقط جيدة بقدر نوعية المياه التي تزود بها صانع الثلج. تجنب توصيل صانع الثلج بمصدر مياه يُسر. يمكن للمواد الكيميائية لتيسير المياه (مثل الملح) أن تتلف أجزاء صانع الثلج وتؤدي إلى إنتاج ثلج ردي النوعية. إذا تعذر تجنب مصدر المياه اليسر، فتأكد أن جهاز تيسير الماء يعمل بشكل سليم وتتم صيانته جيدا.
- لا تخزن أي شيء أعلى صانع الثلج أو في صندوق التخزين.

## مميزات المجمد

يعالج هذا الدليل عدة موديلات مختلفة. قد يحتوي المجمد الذي اشتريته على بعض أو كل البنود المدرجة. وقد لا تتوافق مواقع الميزات مع تلك التي للموديل الخاص بك.

معلومات مهمة ينبغي معرفتها عن الرفوف الزجاجية والأغطية:

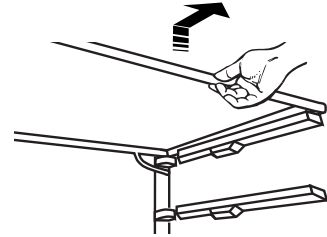
لا تتنظف الرفوف الزجاجية أو الأغطية بالماء الدافئ عندما تكون باردة. قد تنكسر الرفوف الزجاجية والأغطية إذا تعرضت لتغيرات درجة الحرارة أو التصادمات المفاجئة، مثل الصدمة القوية. والزجاج المقسى مصمم للتحطم إلى العديد من القطع الصغيرة في حجم الحصى. وهذا أمر طبيعي. الرفوف الزجاجية والأغطية ثقيلة. استخدام كلتا اليدين عند إزالتها لتجنب سقوطهم.

## رفوف المجمد

خزن الأطعمة المتشابهة معا واضبط الرفوف لتناسب ارتفاعات مختلفة. وهذا يقلل من وقت فتح باب المجمد ويوفر الطاقة.

## إزالة وإعادة الرف:

1. قم بإزالة الرف بسحبه قليلا إلى الأمام لمحاذاة مصدات الرف مع الفتحات الموجودة في بطانة المجمد. وارفع بطريقة مستقيمة، واسحب الرف للخارج بقية الطريق.



2. أعد تركيب الرف عن طريق خفض مصدات الرف من خلال الفتحات الموجودة في بطانة المجمد. قم بزلق الرف في بقية الطريق.

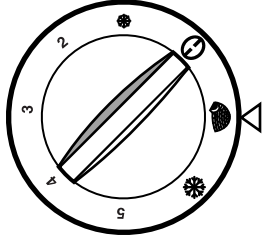
# استخدام المجمد

## ضبط التحكم

- أدر مفتاح التحكم إلى رقم أعلى لدرجات حرارة أكثر برودة.
  - أدر مفتاح التحكم إلى رقم أقل لدرجات حرارة أقل برودة.
- ملاحظة:** تمثل أيقونة ندفة الثلج الصغيرة الرقم 1 أو الإعداد الأقل برودة. وتمثل أيقونة ندفة الثلج الكبيرة الرقم 6 أو الإعداد الأكثر برودة.

## التجميد السريع (في بعض الموديلات)

يجعل هذا الإعداد المجمد يعمل بشكل مستمر، ويدفع درجة حرارة المجمد إلى أبرد درجة حرارة ممكنة. وللتنشيط، اضبط زر التحكم على أيقونة الكوخ القبي، الذي يمثل إعداد التجميد السريع. استخدام هذه الميزة فقط قبل إضافة كميات كبيرة من الأطعمة غير المجمدة. وللحصول على جودة أفضل للطعام، لا تتجاوز 3 أرطال (1,350 جرام) لكل قدم مكعب (28.32 لتر). وعد إلى الإعداد الطبيعي بعد 24 إلى 48 ساعة.

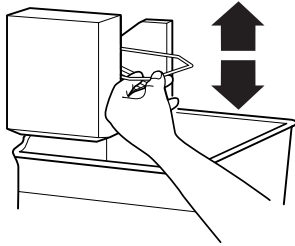


## صانع الثلج (في بعض الموديلات)

**هام:** إذا لم يرفق بالطراز الخاص بك ماكينة صنع الثلج، و ترغب في تركيبها، يجب عليك شراء طقم ماكينة صنع الثلج رقم k013ECKMF87. اتصل بالموزع و اطلب شراء القطعة رقم W10190943.

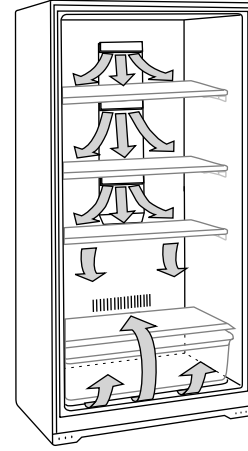
## لتشغيل/إيقاف تشغيل صانع الثلج

- ملاحظة:** لا تدفع بقوة ذراع الإغلاق السلكي صعوداً أو هبوطاً.
- لتشغيل صانع الثلج، ببساطة قم بخفض ذراع الإغلاق السلكي.
- ملاحظة:** يتميز صانع الثلج بالغلاق التلقائي. وبينما يتم صنع الثلج، تملأ مكعبات الثلج صندوق تخزين الثلج وترفع مكعبات الثلج ذراع الإغلاق السلكي لموضع الإيقاف OFF (الذراع لأعلى).
- لإيقاف صانع الثلج يدوياً، ارفع ذراع الإغلاق السلكي لموضع الإيقاف OFF (الذراع لأعلى) واستمع صوت النقر للتأكد من أن صانع الثلج لن يستمر في العمل.



## ضمان سلامة دوران الهواء

من أجل ضمان درجة حرارة سليمة، يجب السماح بتدفق الهواء المناسب في المجمد. وكما هو مبين في الرسم التوضيحي، يدخل الهواء البارد من خلال جدار المجمد ويتحرك إلى أسفل. ويعيد الهواء دورته حينئذ من خلال المنفذ بالقرب من القاع.



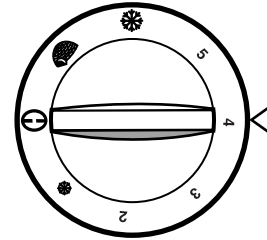
لا تحجب أي من هذه الشقوق بحزم الطعام. وإذا سُدت الشقوق، فسيتم تقييد تدفق الهواء وقد تحدث مشاكل درجة الحرارة والرطوبة.

**هام:** لتجنب انتقال الرائحة وجفاف الطعام، لف أو غط الأطعمة بإحكام.

## استخدام مفتاح التحكم

أدر مفتاح التحكم في درجة الحرارة للمجمد إلى 4. تم تصميم هذا الإعداد للحفاظ على درجة الحرارة عند أو بالقرب من 0 درجة فهرنهايت (-17.8 درجة مئوية) في ظل ظروف التشغيل العادية.

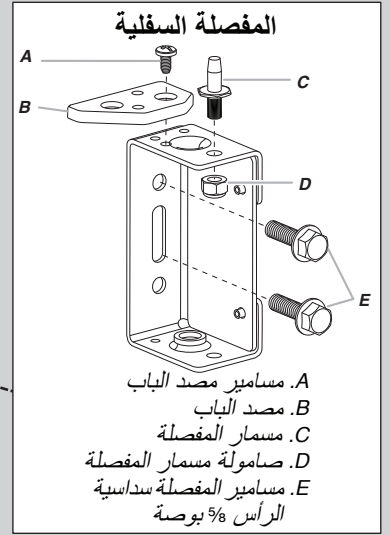
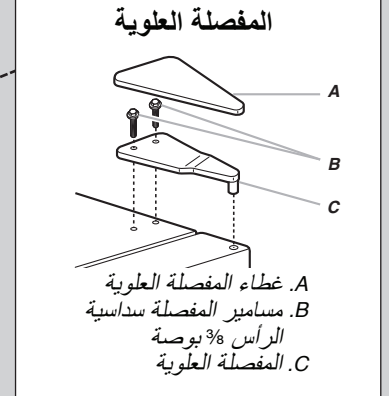
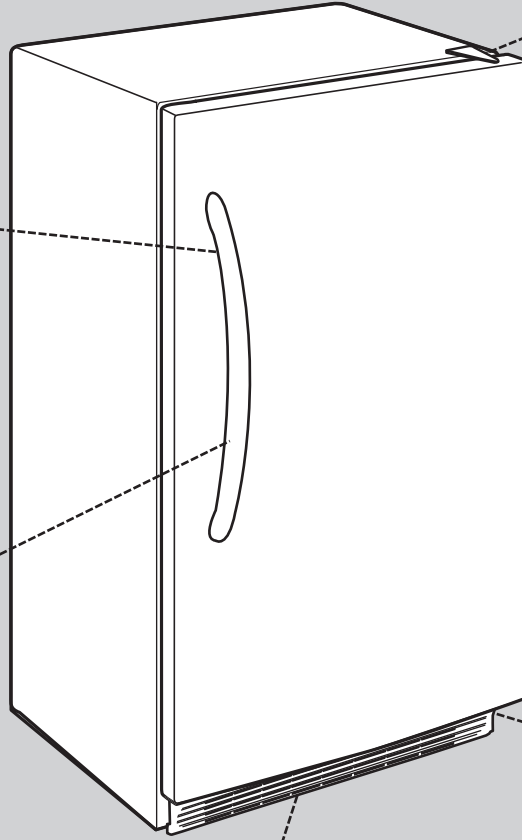
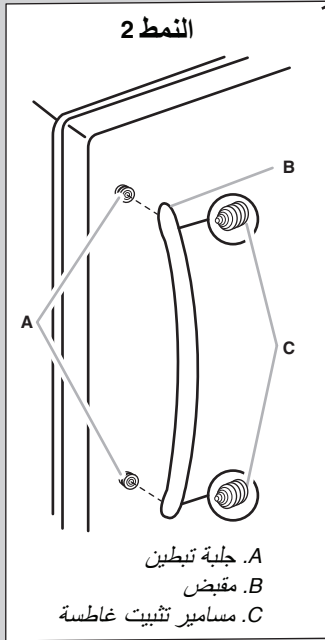
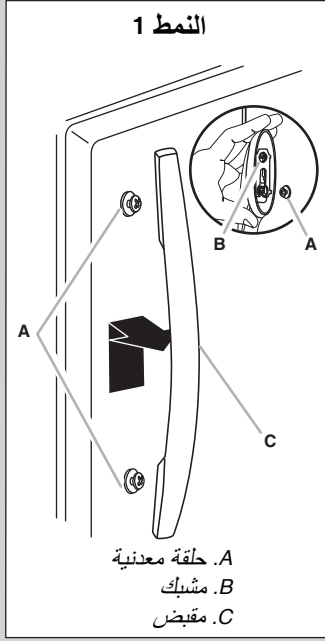
اترك المجمد ليبرد من 6 إلى 8 ساعات قبل ملئه بالأغذية المجمدة. واترك المجمد يبرد ليلاً قبل إضافة كميات كبيرة من المواد الغذائية المجمدة. لا تصيف أكثر من 2 إلى 3 أرطال (907 إلى 1,350 جرام) من الطعام غير المجمد لكل قدم مكعب (28.32 لتر) من مساحة المجمد.



**ملاحظة:** عندما يتم تشغيل المجمد لأول مرة، سوف يعمل الضاغط باستمرار حتى يبرد المجمد. وقد يستغرق ما يصل إلى 6 أو 8 ساعات (أو أكثر)، تبعاً لدرجة حرارة الغرفة وعدد مرات فتح باب المجمد. بعد أن يبرد المجمد، سوف يعمل ويتوقف الضاغط حسب الحاجة للحفاظ على المجمد في درجة حرارة مناسبة.

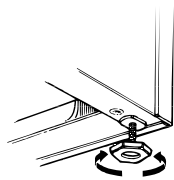
وقد يبدو المجمد دافئاً من الخارج. وهذا أمر طبيعي. حيث إن تصميم المجمد والوظيفة الرئيسية هي إزالة الحرارة من المحتويات والهواء داخل المجمد. وتنتقل الحرارة إلى هواء الغرفة، مما يجعل المجمد يبدو دافئاً من الخارج.

## إزالة الباب وإعادة تركيبه



## ضبط الباب

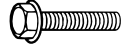
2. ضع أداة تسوية أعلى المجمد، أولاً من الجانب إلى الجانب، ثم من الأمام إلى الخلف. أدر الساق عكس حركة عقارب الساعة لرفع أحد الأركان. وأدر الساق باتجاه حركة عقارب الساعة لخفض أحد الأركان.



1. اضبط الساقين الأماميتين فقط بما يكفي لرفع الخزائنة عن الأرضية.

**ملاحظة:** إذا كان موديلك مجهزاً ببيكرات، ينبغي خفض الساقين الأماميتين بما يكفي لرفع البيكرات عن الأرضية لضمان عدم تدرج المجمد إلى الأمام عند فتح الباب.

3. كرر الخطوة 2 حتى يستوي المجمد.
4. بعد حشو المجمد بالكامل بالطعام، أعد فحص المستوى كما في الخطوة 2.



مسار قلاووظ للمفصلة سداسي الرأس 5/16 بوصة

1. انزع قابس المجدد أو افصل القدرة.
2. افتح باب المجدد وقم بإزالة شبكة القاعدة من المقدمة السفلية للمجدد. راجع الرسم التوضيحي لشبكة القاعدة.
3. أغلق باب المجدد واجعله مغلقاً حتى تستعد لرفعه خالياً من الخزانة.
- ملاحظة:** وفر دعماً إضافياً للباب أثناء إجراء نقل المفصلات. ولا تعتمد على مغناطيس الباب لحمل الباب في موضعه أثناء عمله.
4. قم بإزالة الأجزاء للمفصلة العلوية كما هو موضح في الرسم التوضيحي للمفصلة العلوية.
5. ارفع باب المجدد خالياً من المفصلة السفلية والخزانة وضعه جانباً.
6. قم بإزالة المسامير سداسية الرأس الثلاثة للمفصلة وتجمع المفصلة السفلية. راجع الرسم التوضيحي للمفصلة السفلية.

#### إعادة تركيب الباب والمفصلات

1. أعد أجزاء المفصلة السفلية إلى أماكنها كما هو موضح وأحكام ربط المسامير. راجع الرسم التوضيحي للمفصلة السفلية. أعد باب المجدد.
- ملاحظة:** وفر دعماً إضافياً للباب أثناء إجراء نقل المفصلات. ولا تعتمد على مغناطيس الباب لحمل الباب في موضعه أثناء عمله.
2. قم بتجميع أجزاء المفصلة العلوية كما هو موضح في الرسم التوضيحي للمفصلة العلوية. لا تحكم ربط المسامير تماماً.
3. اضبط الباب بحيث يحاذي القاع بالتساوي مع الخزانة. وأحكام ربط جميع المسامير.

#### الخطوات النهائية



#### خطر الصدمة الكهربائية

أدخل القابس في منفذ ذي 3 شعاب مُورَّض.

لا تقم بإزالة الشعبة الأرضية.

لا تستخدم محولاً.

لا تستخدم سلك إطالة.

قد يؤدي عدم اتباع هذه الإرشادات إلى الوفاة أو الحرق أو الصدمة الكهربائية.

1. أدخل القابس في منفذ ذي 3 شعاب مُورَّض.
2. قم بإعادة ضبط التحكم. راجع "استخدام التحكم".
3. أعد جميع أجزاء الباب القابلة للإزالة إلى الباب والأطعمة إلى المجدد.

#### تحذير



#### خطر الصدمة الكهربائية

أدخل القابس في منفذ ذي 3 شعاب مُورَّض.

لا تقم بإزالة الشعبة الأرضية.

لا تستخدم محولاً.

لا تستخدم سلك إطالة.

قد يؤدي عدم اتباع هذه الإرشادات إلى الوفاة أو الحرق أو الصدمة الكهربائية.

7. أدخل القابس في منفذ ذي 3 شعاب مُورَّض.

#### باب المجدد

#### هام:

- تبعاً لعرض الفتح، قد تحتاج إلى إزالة المقبض أو الباب لنقل المجدد إلى المنزل.
  - كافة الرسومات المشار إليها في الإرشادات التالية مضمنة لاحقاً في هذا القسم بعد "الخطوات النهائية". قد يتم عكس الرسم التوضيحي إذا تم عكس دوران الباب.
  - قبل أن تبدأ، أدر مفتاح التحكم إلى وضع إيقاف التشغيل OFF وقم بإزالة الأطعمة والباب الانضباطي أو صناديق المنافع من الباب.
- الأدوات اللازمة:** مفتاح ربط صندوق سداسي الرأس 1/2 بوصة ومفتاح ربط صندوق سداسي الرأس 3/8 بوصة.

#### إزالة المقبض وإعادة تركيبه

#### النمط 1

1. لإزالة المقبض، امسك الجزء السفلي منه بإحكام، ثم قم بزلقه لأعلى واسحبه للخارج مباشرة من الباب. راجع الرسم التوضيحي 1-1.
2. لإعادة تركيب المقبض، ضعه بحيث تكون الفتحات الكبيرة في مشابك التثبيت متجهة لأسفل ثم قم بمحاذاة الفتحات مع حلقات التثبيت.
3. قم بتدوير المقبض بحيث تكون مشابك التثبيت مستوية قبالة الباب، ثم قم بزلقه إلى أسفل نزولاً لكي يتعشق.

#### النمط 2

1. لإزالة المقبض، قم بفك مسامير التثبيت الغاطسة الموجودة عند نهاية كل طرف من أطراف المقبض. راجع الرسم التوضيحي للمقبض.
2. لإعادة تركيب المقبض، أحكم ربط مسامير التثبيت الغاطسة العلوية والسفلية بالمفتاح السداسي المصاحب للجهاز. راجع الرسم التوضيحي للمقبض. ولا تفرط في إحكام ربط مسامير التثبيت الغاطسة.



## هام:

- إذا قمت بتشغيل المجمد قبل توصيل أنبوب المياه، فأدر مفتاح صانع الثلج إلى وضع إيقاف التشغيل OFF.
- يجب أن تلبى كافة التركيبات متطلبات قانون الأشغال الصحية المحلي.
- استخدم أنبوباً نحاسياً وتحقق من عدم وجود تسريبات. وثبت الأنبوب النحاسي فقط في المناطق حيث ستظل درجة الحرارة المألوفة أعلى من درجة التجمد.

## ضغط المياه

يلزم مصدر مياه باردة بضغط مياه بين 30 و 120 رطلاً في البوصة المربعة (207 و 827 كيلو باسكال) لتشغيل موزع المياه وصانع الثلج. إذا كانت لديك أسئلة حول ضغط المياه، فاتصل بسبّاك مُرخص ومؤهل.

## مصدر مياه التناضح العكسي

**هام:** يجب أن يكون ضغط مصدر المياه القادمة من نظام التناضح العكسي والذهاب إلى صمام مدخل المياه للمجمد بين 30 و 120 رطلاً في البوصة المربعة (207 و 827 كيلو باسكال).

إذا تم توصيل نظام ترشيح مياه التناضح العكسي بمصدر المياه البارد، يجب أن يكون الحد الأدنى لتناسب ضغط المياه إلى نظام التناضح العكسي هو 40 إلى 60 رطلاً في البوصة المربعة (276 إلى 414 كيلو باسكال).

إذا كان تناسب ضغط الماء إلى نظام التناضح العكسي أقل من 40 إلى 60 رطلاً في البوصة المربعة (276 إلى 414 كيلو باسكال):

- تحقق لتعرف ما إذا كان مرشح الرواسب في نظام التناضح العكسي مسدوداً. وقم باستبدال المرشح إذا لزم الأمر.
- اترك صهريج التخزين في نظام التناضح العكسي يمتلأ مرة أخرى بعد الاستخدام الكثيف.

إذا كانت لديك أسئلة حول ضغط المياه، فاتصل بسبّاك مُرخص ومؤهل.

## توصيل مصدر المياه (للموديلات المجهزة بصانع الثلج)

### ملاحظات:

- لا بد من توصيل كل الأجهزة المزودة بصانع ثلج ثلثاني وبموزع مياه بمصدر مياه لا يخرج منه سوى مياه الشرب (على أن يبلغ تدفق المياه الرئيسية ما بين 0.21 و 0.83 ميغاباسكال (2.1 و 8.3 بار)).
- أما وحدات صناعة الثلج التلقائية و/أو موزعات المياه التي لا تتصل مباشرة بمصدر الإمداد بالمياه فلا بد وأن تملأ بمياه الشرب دون غيرها.
- للتوصيل بالمياه، يرجى استخدام الأنابيب المرفق بالجهاز الجديد. فلا تستخدم ذلك الخاص بالجهاز القديم.

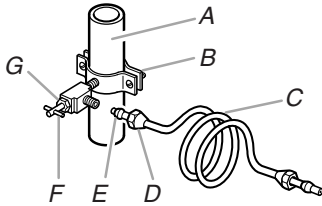
## التوصيل بأنبوب المياه

1. انزع قابس المجمد أو الفصل القدر.
2. أوقف تشغيل مصدر المياه الرئيسي. وقم بتشغيل أقرب صنوبر لمدة طويلة بما يكفي لتنظيف أنبوب المياه.
3. عيّن موقع أنبوب المياه الباردة الرأسي 1/2 بوصة إلى 1 1/4 بوصة (12.7 ملم إلى 3.18 سم) بالقرب من المجمد.

### هام:

- تأكد من أنه أنبوب مياه باردة.
- سيوفي الأنابيب الأفقي بالغرض، ولكن اتقّب في الجانب العلوي للأنبوب وليس السفلي. يساعد هذا على إبعاد المياه عن الحفر والرواسب الطبيعية من التجمع في الصمام.

4. حدّد طول الأنبوب النحاسي الذي تحتاج إليه. وقم بالقياس من الوصلة للمؤخرة اليسرى السفلية للمجمد إلى أنبوب المياه. أضف 7 أقدام (2.1 متر) للسماح بالتنظيف. استخدم أنبوباً نحاسياً قطره الخارجي 1/4 بوصة (6.35 ملم). وتأكد أن قطع طرفي الأنبوب النحاسي تم بشكل مربع.
5. باستخدام مثقاب لاسلكي، انقب فتحة 1/4 بوصة (6.35 ملم) في أنبوب المياه الباردة التي قمت بتثبيتها.

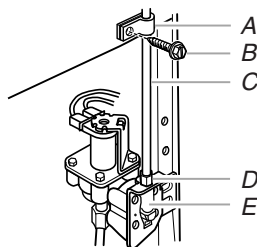


- A. أنبوب مياه باردة  
B. قامطة أنابيب  
C. أنبوب نحاس  
D. صمولة ضغط  
E. جلبة ضغط  
F. صمام إغلاق  
G. صمولة حشو

6. اربط صمام الإغلاق بأنبوب المياه الباردة بقامطة الأنابيب. تأكد أن طرف المنفذ مدرج بإحكام في الفتحة المثقوبة 1/4 بوصة (6.35 ملم) في أنبوب المياه وأن الفلكة تحت قامطة الأنابيب. وأحكم ربط صمولة الحشو. وأحكم ربط المسامير القلاووظ لقامطة الأنابيب ببطء وبشكل متساو بحيث تجعل الفلكة سداً محكماً مانعاً للماء. ولا تفرط في إحكام الربط.
7. قم بزلق جلبة الضغط وصمولة الضغط على الأنبوب النحاسي كما هو مبين. وقم بإدراج طرف الأنبوب في طرف المنفذ مباشرة بقدر ما سوف تدرج. اربط صمولة الضغط على طرف المنفذ بمفتاح الربط القابل للضبط. ولا تفرط في إحكام الربط.
8. ضع الطرف الحر للأنبوب النحاسي في حاوية أو حوض، وقم بتشغيل مصدر المياه الرئيسي. واجعل المياه تتدفق عبر الأنبوب حتى تصبح المياه صافية. وأوقف تشغيل صمام الإغلاق لأنبوب المياه. ولّف الأنبوب النحاسي.

## التوصيل بالمجمد

1. قم بإزالة غطاء الوصول للصمام من غطاء الضاغظ على أسفل الجزء الخلفي للخرانة.
2. ألحق الأنبوب النحاسي بمدخل الصمام باستخدام صمولة الضغط والجلبة كما هو مبين. وأحكم ربط صمولة الضغط. ولا تفرط في إحكام الربط.
3. أدخل تجميع الصمام في غطاء الضاغظ. ثم اربط تجميع الصمام بخزانة المجمد بمسمار ربط سداسي الربط 1/2 بوصة.
4. استخدم قامطة الأنبوب على الجزء الخلفي للمجمد لإحكام ربط الأنبوب بالمجمد كما هو مبين. ويحول هذا دون إلحاق الضرر بالأنبوب النحاسي عندما يتم دفع المجمد للخلف قبالة الجدار.
5. قم بتشغيل صمام الإغلاق. تحقق من التسريبات. وقم بإحكام ربط أي وصلات (بما في ذلك الوصلات في الصمام) أو الصواميل التي تسرب.



- A. قامطة أنابيب  
B. مسمار قلاووظ لقامطة الأنابيب  
C. أنبوب نحاس  
D. صمولة ضغط  
E. مدخل الصمام

6. إن صانع الثلج مجهز بمصفاة مياه داخلية. إذا تطلبت ظروف المياه مصفاة مياه ثانية، فقم بتثبيتها في أنبوب المياه بمقاس 1/4 بوصة (6.35 ملم) عند أي وصلة للأنبوب. احصل على مصفاة المياه من أقرب موزع محلي للأجهزة.



## المتطلبات الكهربائية

⚠ تحذير



### خطر الصدمة الكهربائية

أدخل القابس في منفذ ذي 3 شعاب مُورَّض.

لا تقم بإزالة الشعبة الأرضية.

لا تستخدم محولاً.

لا تستخدم سلك إطالة.

قد يؤدي عدم اتباع هذه الإرشادات إلى الوفاة أو الحريق أو الصدمة الكهربائية.

يلزم وجود مصدر كهربائي (مُورَّض) بمنصهر 220/240 فولت و50/60 هرتز 10 أمبير.

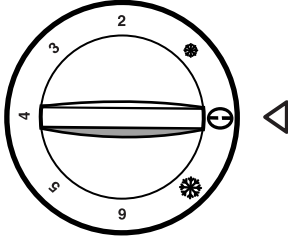
قبل نقل المجمد لموقعه النهائي، من المهم التأكد أن لديك اتصالاً كهربائياً سليماً.

احرص على تركيب الجهاز على نحو يسهل معه الفصل من مصدر الطاقة بإخراج الكبل عن المقبس أو بتهيئة مفتاح رئيس بقطبين أعلى منفذ التوصيل بالطاقة.

### أسلوب التأسيس الموصى به

ويُوصى بتخصيص دائرة كهربائية منفصلة للمجمد. استخدم مأخذاً كهربائياً مباشراً إلى التلاجة. وتجنب استخدام كبل إطالة.

**ملاحظة:** قبل تنفيذ أي نوع من التركيب أو التنظيف أو إزالة المصباح الكهربائي، أدر مفتاح التحكم في درجة الحرارة إلى وضع إيقاف التشغيل OFF كما هو موضح، ثم افصل المجمد من مصدر التيار الكهربائي.



## متطلبات مصدر المياه

(للموديلات المجهزة بصانع الثلج)

اجمع الأدوات والأجزاء اللازمة قبل بدء التثبيت. اقرأ واتبع الإرشادات المقدمة لأي أدوات مذكورة هنا.

### الأدوات اللازمة:

- مفك عادة
- سواقة صواميل 1/4 بوصة
- مفتاح ربط مفتوح الفك 7/16 بوصة و
- لقمة ثقب 1/4 بوصة
- 1/2 بوصة أو مفتاحي ربط قابلين للضبط
- مثقاب لاسلكي

**ملاحظة:** لدى موزع المجمدات المحلي صندوق عدة متوفر يحتوي على صمام إغلاق سرجي النوع 1/4 بوصة (6.35 ملم) ووصلة أنابيب وأنابيب نحاس. قبل الشراء، تأكد أن الصمام سرجي النوع يتوافق مع القوانين المحلية للأشغال الصحية. لا تستخدم صماماً سرجياً 3/16 بوصة (4.76 ملم) أو من النوع الثاقب والذي يحد من تدفق المياه وينسد بسهولة أكبر.

## متطلبات الموقع

⚠ تحذير



### خطر الانفجار

أبق المواد والأبخرة القابلة للاشتعال، مثل البنزين، بعيداً عن المجمد. قد يؤدي عدم القيام بذلك إلى الوفاة أو الانفجار أو الحريق.

**هام:** لا تترك المجمد بالقرب من فرن أو شبكة تبريد أو تدفئة أو مصدر آخر للحرارة ولا في موقع حيث تنخفض درجة الحرارة إلى أقل من 40 درجة فهرنهايت (5 درجات مئوية).

تحقق من قوة الأرضية قبل تركيب المجمد، والتي ينبغي أن تتحمل وزن المجمد بالكامل محشو بالطعام.

اترك حيزاً 1 بوصة (2.54 سم) وراء المجمد.

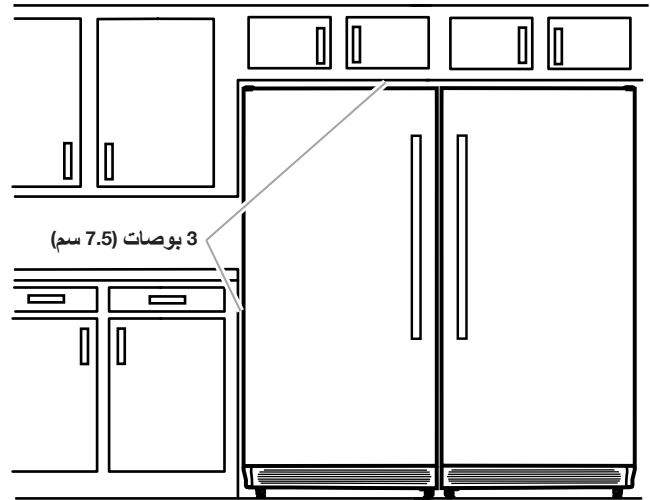
إذا كان يجب أن يكون المجمد قبالة الحائط، فاترك حيزاً إضافياً على جانب المفصلة حتى يمكن فتح الباب على نطاق أوسع.

احرص على عدم انسداد فتحات التهوية.

احرص على عدم إتلاف أنابيب دائرة المبرد.

احرص على تركيب الجهاز في مكان جاف جيد التهوية.

**ملاحظة:** يمكن تثبيت هذا المجمد جنباً إلى جنب مع مجمد أو تلاجة أخرى.



## إرشادات التركيب

### حماية البيئة

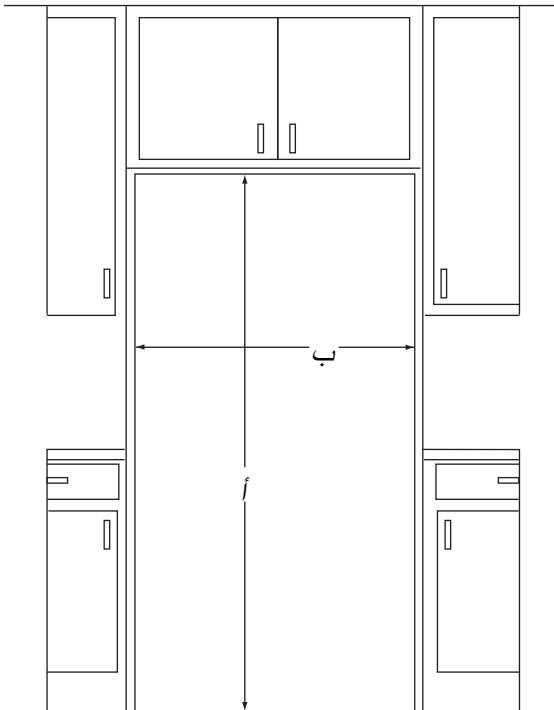
قد يحتوي هذا المنتج على بعض من الغازات الدفينة التي تحتوي على الفلورين والتي نصت عليها اتفاقية كيوتو، ولك أن تعلم أن غاز التبريد بهذا المنتج موجود داخل نظام محكم الإغلاق.  
غاز التبريد: R134A ويبلغ تأثيره على الاحتباس الحراري (GWP) 1300.

### أبعاد الفتحة

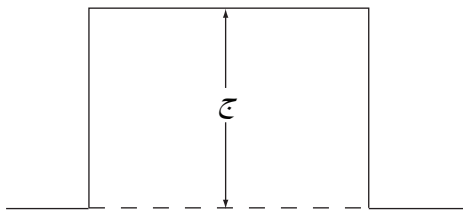
يتم عرض أبعاد الارتفاع أثناء تمديد أرجل الاستواء إلى الحد الأدنى للارتفاع البالغ 1/4 بوصة (6.35 مم) أسفل الثلجة.

**ملاحظة:** عند تمديد أرجل الاستواء إلى آخرها لتصل إلى 1 بوصة (25 مم) أسفل الثلجة، قم بإضافة ثلاث أرباع بوصة (19 مم) إلى أبعاد الارتفاع.

### منظر أمامي



### منظر علوي



### طراز 5VEV188\*/5VMV188\*

#### البعد ب

البعد أ	وحدة مفردة	وحدتان جنباً إلى جنب	البعد ج
69"	36"	67"	26 1/2"
(175.3 سم)	(91.44 سم)	(170.2 سم)	(67.3 سم)

\*تشتمل الأبعاد الموضحة على مساحة خالية موصى بها تصل إلى 3 بوصات (7.2 سم) أعلى الثلجة وعلى جانبيها، كما يوصى بمساحة 1 بوصة (2.54 سم) للتهوية بالجزء الخلفي منها.

## الإخراج من العبوة

### تحذير

#### خطر الوزن الزائد

استعن بشخصين أو أكثر لنقل المجمد وتركيبه.  
قد يؤدي عدم القيام بذلك إلى الإصابة بآلام الظهر أو غيرها من الإصابات.

### قبل الاستخدام

خصصت هذه الثلجة للاستخدام المنزلي وما يماثله من استخدامات منها الاستخدام داخل:

- مطابخ العاملين داخل المحال التجارية والمكاتب وغير ذلك من بيئات العمل.
- المنازل الموجودة بالمزارع وداخل الفنادق والفنادق الصغيرة على الطرق وغيرها من أماكن الإقامة.
- أماكن الإقامة التي توفر النوم والإفطار لقاطنيها.

### إزالة مواد التغليف

- قم بإزالة الشريط وبقايا اللصق من السطوح قبل تشغيل المجمد. حك بكمية صغيرة من سائل صابون الأطباق الماصة بالاصقة بأصابعك. وامسح بالماء الدافئ وجفف.
- لا تستخدم الآلات الحادة أو الكحول المحمر أو السوائل القابلة للاشتعال أو المنظفات الكاشطة لإزالة الشريط أو اللصق. قد تلحق هذه المنتجات الضرر بسطح مجمدك. للحصول على مزيد من المعلومات، راجع "سلامة المجمد".

### عند نقل المجمد:

إن مجمدك ثقيل. وعندما تنقله للتنظيف أو الصيانة والإصلاح، تأكد من تغطية الأرضية بالكرتون أو الألواح الصلدة لتجنب إلحاق الضرر بالأرضية. واسحب دائماً المجمد باستقامة للخارج عند نقله. لا تنذب أو "تمش" المجمد عند محاولة نقله، لأنه قد يلحق الضرر بالأرضية.

### نظف قبل الاستخدام

بعد إزالة كل مواد التغليف، نظف المجمد من الداخل قبل استخدامه. راجع إرشادات التنظيف في "العناية بالمجمد".

### معلومات مهمة ينبغي معرفتها عن الرفوف الزجاجية والأغطية:

لا تنظف الرفوف الزجاجية أو الأغطية بالماء الدافئ عندما تكون باردة. قد تنكسر الرفوف الزجاجية والأغطية إذا تعرضت لتغيرات درجة الحرارة أو التصادمات المفاجئة، مثل الصدمة القوية. والزجاج المقسى مصمم للتحطم إلى العديد من القطع الصغيرة في حجم الحصى. وهذا أمر طبيعي. الرفوف الزجاجية والأغطية ثقيلة. استخدم كلتا اليدين عند إزالتها لتجنب سقوطها.

# سلامة المجمد

## إن سلامتك وسلامة الآخرين أمر هام جدا.

لقد قدمنا العديد من رسائل السلامة المهمة في هذا الدليل وكذلك على جهازك. احرص دائماً على قراءة كل رسائل السلامة واتباعها.

هذا هو رمز تنبيه السلامة.

ينبهك هذا الرمز إلى المخاطر المحتملة التي قد تؤدي بحياتك أو تسبب الأذى لك وللآخرين.

سوف تأتي كل رسائل السلامة عقب رمز تنبيه السلامة وإما كلمة "خطر" أو "تحذير". تعني هاتان الكلمتان ما يلي:



قد تتعرض للوفاة أو الإصابة البالغة في حالة عدم اتباعك للإرشادات على الفور.



قد تتعرض للوفاة أو الإصابة البالغة في حالة عدم اتباعك للإرشادات.



تدلك كافة رسائل السلامة حول المخاطر المحتملة، وتدللك على كيفية الحد من احتمال التعرض للإصابة، كما تدلك على ما قد يحدث في حالة عدم اتباع الإرشادات.

## إرشادات هامة للسلامة

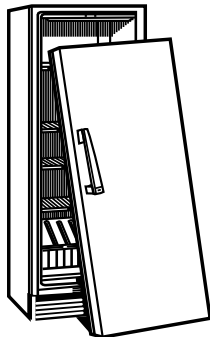
**تحذير:** للحد من خطر الحريق أو الصدمة الكهربائية أو الإصابة عند استخدام المجمد، اتبع هذه الاحتياطات الأساسية:

- أدخل القابس في منفذ ذي 3 شعاب مُورَّض.
- لا تقم بإزالة الشعبة الأرضية.
- لا تستخدم محولاً.
- لا تستخدم سلك إطالة.
- افصل القدرة قبل الصيانة والإصلاح.
- أعد كافة القطع والألواح إلى أماكنها قبل التشغيل.
- استخدم منظفات غير قابلة للاشتعال.
- تجنب استخدام أي طرق ميكانيكية أو كهربائية أو كيميائية لإسراع عملية إزالة الصقيع بخلاف تلك التي توصي بها الجهة المصنعة.
- تجنب استخدام أي نوع من الأدوات الكهربائية داخل الجهاز بخلاف تلك المصرح بها من الجهة المصنعة.
- أبق المواد والأبخرة القابلة للاشتعال، مثل البنزين، بعيداً عن المجمد.
- تجنب تخزين أي من المواد المتفجرة كعبوات الأيروسول ذات الدافعات القابلة للاشتعال داخل هذا الجهاز.
- استعن بشخصين أو أكثر لنقل المجمد وتركيبه.
- هذه الثلاجة غير معدة للاستخدام من قبل من يعانون من إصابات أو أمراض بدنية أو حسية أو عقلية (بما فيهم الأطفال) أو من يفتقرون إلى الخبرة والمعرفة، إلا إذا تلقوا تعليمات حول الاستخدام الآمن لها، وتم ذلك تحت إشراف المسؤولين عن سلامتهم.
- حرصاً على عدم انحشار الأطفال وتعرضهم للاختناق، لا تسمح لهم باللعب داخل الجهاز أو الاختباء بداخله.
- أبق المفتاح بعيداً عن متناول الأطفال.
- قم بإزالة الأبواب أو الغطاء من مجمدك أو ثلاجتك القديمة.
- افصل مصدر الطاقة قبل تركيب صانع الثلج (في الموديلات المجهزة بعدة صانع الثلج فقط).

## احتفظ بهذه الإرشادات

قبل أن تتخلص من مجمدك أو ثلاجتك القديمة:

- انزع الأبواب أو الغطاء.
- اترك الرفوف في موضعها بحيث لا يتمكن الأطفال من التسلق في الداخل بسهولة.



## التخلص السليم من مجمدك القديم أو ثلاجتك القديمة



خطر الاختناق

قم بإزالة الأبواب أو الغطاء من مجمدك أو ثلاجتك القديمة. قد يؤدي عدم القيام بذلك إلى الوفاة أو تلف الدماغ.

**هام:** إن وقوع الأطفال في شرك والاختناق ليست مشاكل من الماضي. ولا تزال المجمدات أو الثلاجات المهجورة أو التي تم التخلص منها خطرة؛ حتى لو بقيت "بضعة أيام فقط". إذا كنت تتخلص من ثلاجتك أو مجمدك القديم، يرجى اتباع هذه الإرشادات للحيلولة دون وقوع حوادث.

