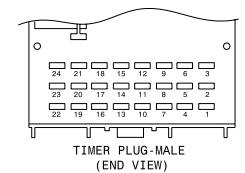
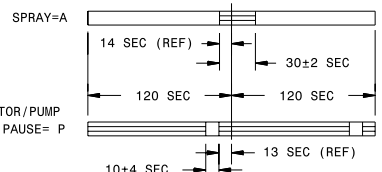
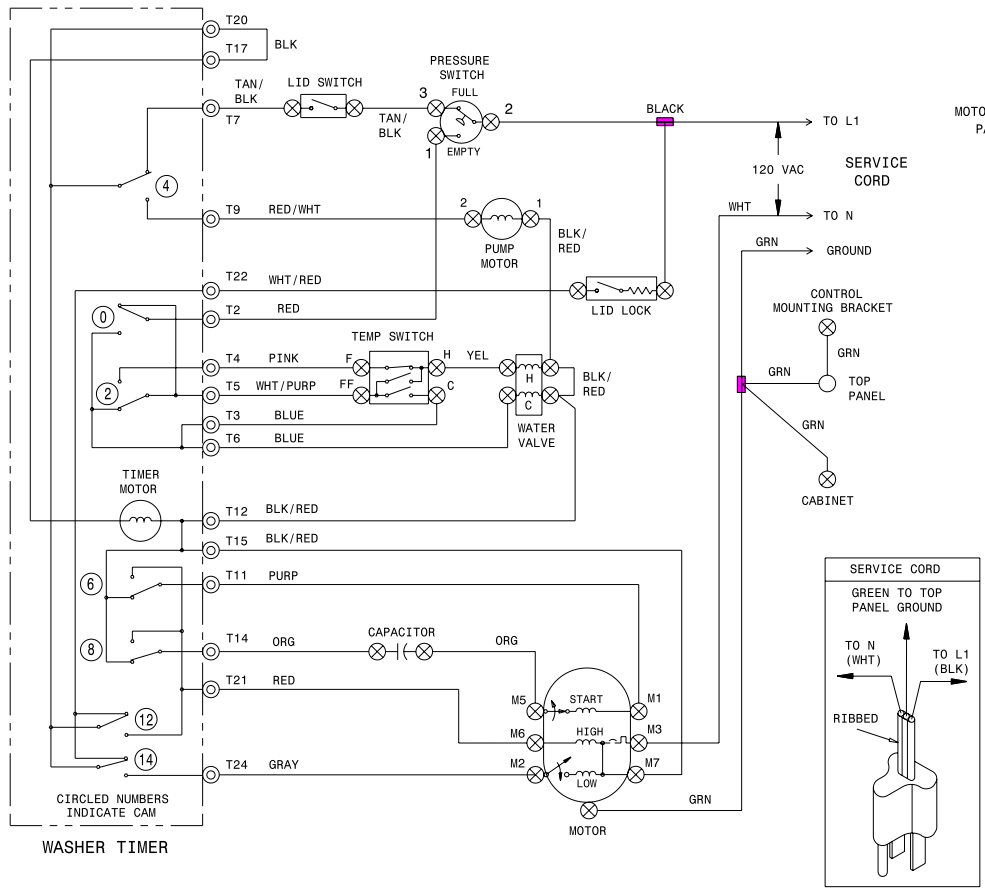
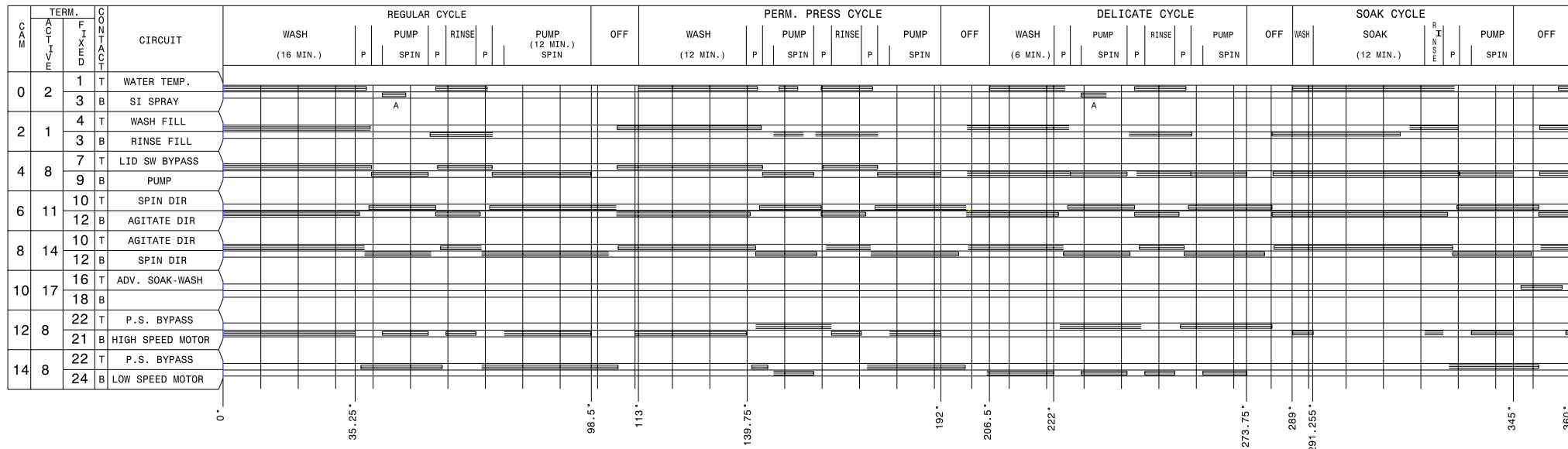


CAUTION: DISCONNECT ELECTRIC CURRENT BEFORE SERVICING



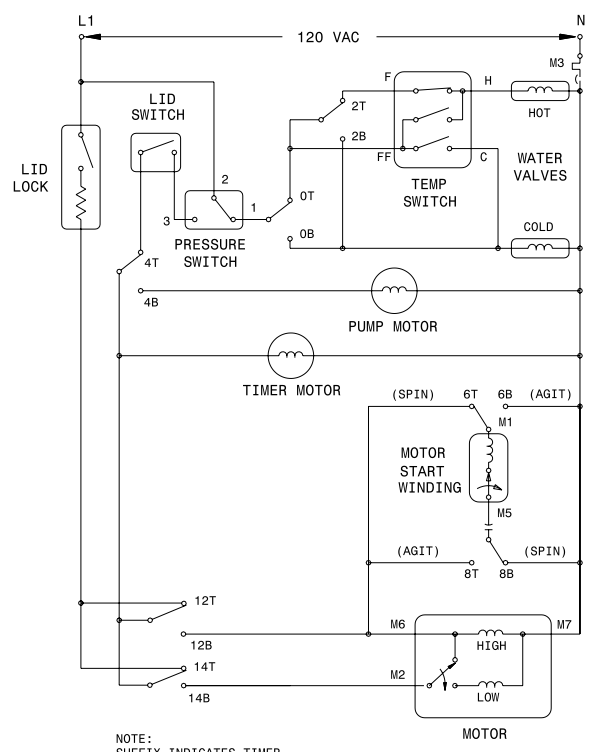
WIRING CODES

- ⊙ PLUG IN TIMER TERMINAL
- ⊗ QUICK DISCONNECT TERMINAL
- SCREW TERMINAL
- ⊕ CONNECTION
- ⊖ NO CONNECTION
- ⊗ MOTOR SWITCH
- ⊕ SPLICE
- ⊖ MOTOR PROTECTOR
- ⊗ CHASSIS (CABINET) GROUND

TEMPERATURE SWITCH CIRCUIT

	F-H	FF-H	FF-C
WASH/RINSE			
HOT/COLD	X	0	0
WARM/COLD	X	0	X
COLD/COLD	0	0	X
WARM/WARM (OPT)	0	X	X

0=OPEN X=CLOSED
(OPT)=OPTIONAL ON SOME MODELS



NOTE:
SUFFIX INDICATES TIMER SWITCH CONTACTS
T= TOP
B= BOTTOM