

# GAS COOKTOP INSTALLATION INSTRUCTIONS

(For 30" & 36" Models)



**INSTALLATION AND SERVICE MUST BE PERFORMED BY A QUALIFIED INSTALLER.**

**IMPORTANT: SAVE FOR LOCAL ELECTRICAL INSPECTOR'S USE.**

**READ AND SAVE THESE INSTRUCTIONS FOR FUTURE REFERENCE.**



**! WARNING** If the information in this manual is not followed exactly, a fire or explosion may result causing property damage, personal injury or death.

**FOR YOUR SAFETY:**

- Do not store or use gasoline or other flammable vapors and liquids in the vicinity of this or any other appliance.
- **WHAT TO DO IF YOU SMELL GAS:**
  - Do not try to light any appliance.
  - Do not touch any electrical switch; do not use any phone in your building.
  - Immediately call your gas supplier from a neighbor's phone. Follow the gas supplier's instructions.
  - If you cannot reach your gas supplier, call the fire department.
- Installation and service must be performed by a qualified installer, service agency or the gas supplier.

**Appliances Installed in the state of Massachusetts:**

This Appliance can only be installed in the state of Massachusetts by a Massachusetts licensed plumber or gas fitter. This appliance must be installed with a three (3) foot / 36 in. long flexible gas connector. A "T" handle type manual gas valve must be installed in the gas supply line to this appliance.

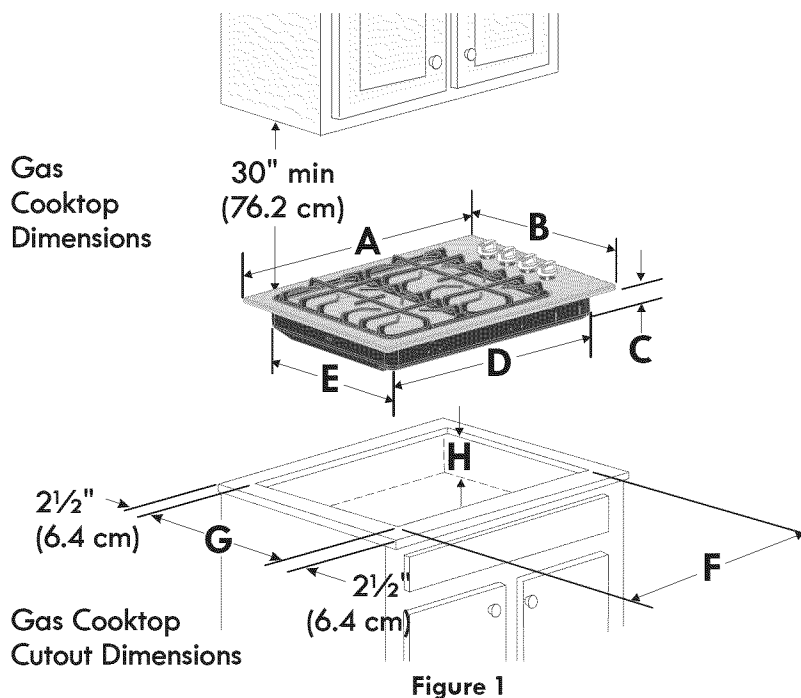


Figure 1

PRODUCT DIMENSIONS					
MODEL	A. WIDTH	B. DEPTH	C. HEIGHT	D. BOX WIDTH	E. BOX DEPTH
30" Gas Cooktop	30 (76.2)	21 3/4 (55.2)	4 1/4 (10.8)	27 (68.6)	19 (48.3)
36" Gas Cooktop	36 (91.4)	21 3/4 (55.2)	4 1/4 (10.8)	33 1/4 (84.5)	19 (48.3)
CUTOUT DIMENSIONS					
MODEL	F. WIDTH		G. DEPTH		H. HEIGHT BELOW
	MINIMUM	MAXIMUM	MINIMUM	MAXIMUM	COOKTOP
30" Gas Cooktop	27 1/4 (69.2)	28 1/2 (72.4)	19 1/8 (48.6)	19 3/4 (50.2)	8 (20.3)
36" Gas Cooktop	33 7/8 (86.1)	34 1/4 (87)	19 1/8 (48.6)	19 3/4 (50.2)	8 (20.3)

All dimensions are stated in inches and (cm).

Dimension H includes a 5" (12.7 cm) space underneath the cooktop for connection to gas supply line.

**NOTE:** Wiring diagrams for this cooktop are enclosed in this booklet

Printed in United States

318201491 (1004) Rev. A

English - pages 1-9

Español - páginas 10-18

Wiring Diagram 19-20

# GAS COOKTOP INSTALLATION INSTRUCTIONS

(For 30" & 36" Models)

## Important Notes to the Installer

1. Read all instructions contained in these installation instructions before installing the cooktop.
2. Remove all packing material before connecting the electrical supply to the cooktop.
3. Observe all governing codes and ordinances.
4. Be sure to leave these instructions with the consumer.
5. Note: For operation at 2000 ft. elevations above sea level, appliance rating shall be reduced by 4 percent for each additional 1000 ft.

## Important Note to the Consumer

Keep these instructions with your Use and Care Guide for future reference.

## IMPORTANT SAFETY INSTRUCTIONS

Installation of this cooktop must conform with local codes or, in the absence of local codes, with the National Fuel Gas Code ANSI Z223.1/NFPA 54 in the United States, or in Canada, with the Canadian Fuel Gas Code, CAN/CGA B149 and CAN/CGA B149.2.

- When installed in a manufactured (mobile) home installation must conform with the Manufactured Home Construction and Safety Standard, title 24 CFR, part 3280 [Formerly the Federal Standard for Mobile Home Construction and Safety, title 24, HUD (part 280)] or, when such standard is not applicable, the Standard for Manufactured Home Installation, ANSI/NCSBCS A225.1 or with local codes where applicable.

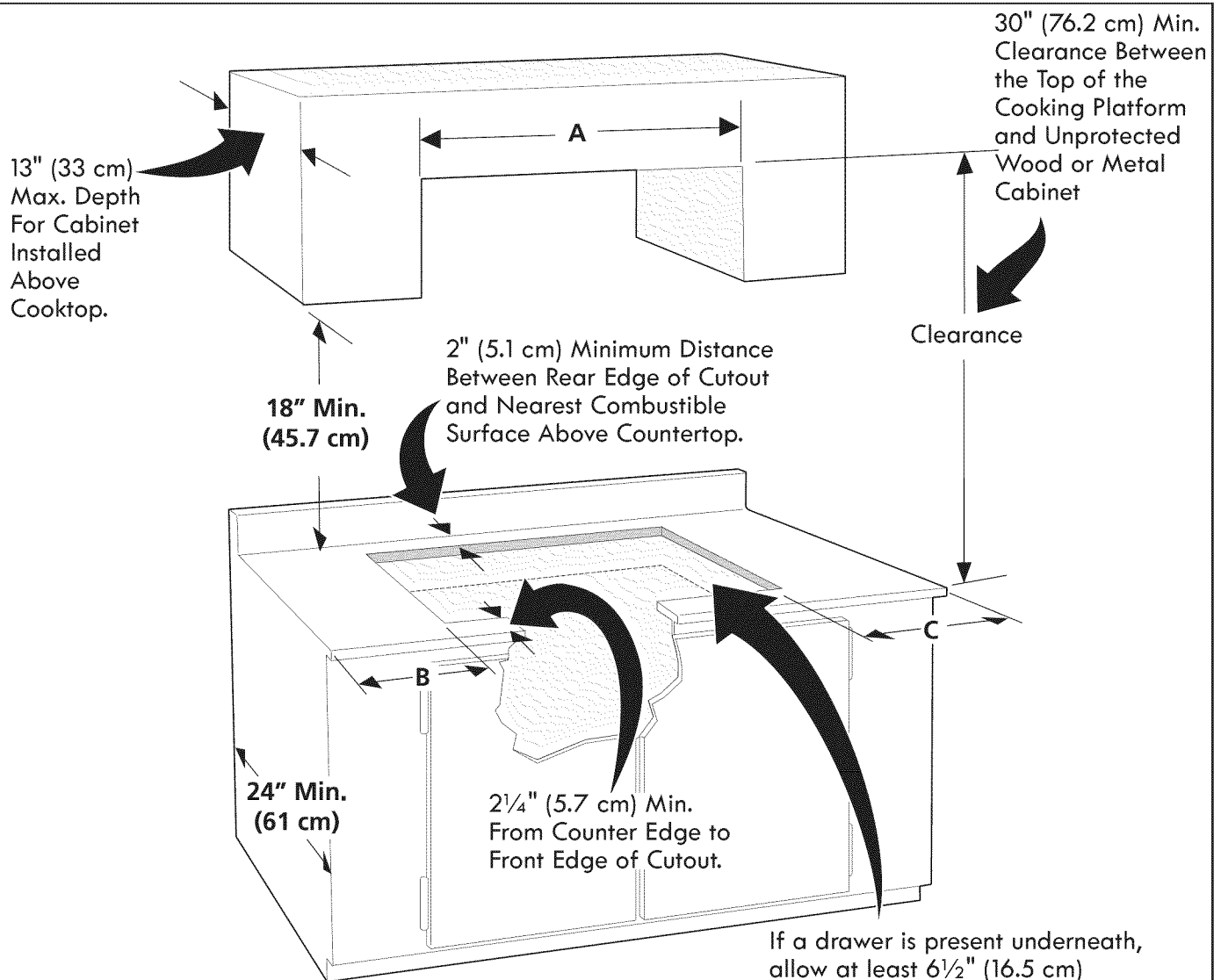
This cooktop has been design certified by CSA International. As with any appliance using gas and generating heat, there are certain safety precautions you should follow. You will find them in the Use and Care Guide, read it carefully.

- Be sure your cooktop is installed and grounded properly by a qualified installer or service technician.
- This cooktop must be electrically grounded in accordance with local codes or, in their absence, with the National Electrical Code ANSI/NFPA No. 70—latest edition in the United States, or in Canada, with the Canadian Electrical Code, CSA C22.1 Part 1.
- The burners can be lit manually during an electrical power outage. To light a burner, hold a lit match to the burner head, then slowly turn the Surface Control knob to LITE. Use caution when lighting burners manually.
- Do not store items of interest to children in cabinets above the cooktop. Children could be seriously burned climbing on the cooktop to reach items.
- To eliminate the need to reach over the surface burners, cabinet storage space above the burners should be avoided.
- Adjust surface burner flame size so it does not extend beyond the edge of the cooking utensil. Excessive flame is hazardous.
- Never use your cooktop for warming or heating the room. Prolonged use of the cooktop without adequate ventilation can be hazardous.
- Do not store or use gasoline or other flammable vapors and liquids near this or any other appliance. Explosions or fires could result.

**⚠ WARNING** The electrical power to the cooktop must be shut off while gas line connections are being made. Failure to do so could result in serious injury or death.

# GAS COOKTOP INSTALLATION INSTRUCTIONS

(For 30" & 36" Models)



If a drawer is present underneath, allow at least 6 1/2" (16.5 cm) of clearance below the counter top. Make sure there will be no interference with gas or electrical connection.

**CAUTION** Never store flammable products in the drawer.

**CAUTION** To eliminate the risk of burns or fire from reaching over heated surfaces, cabinet storage space located above the cooktop should be avoided. If cabinet storage is provided, risk can be reduced by installing a range hood that projects horizontally a minimum of 5" (12.7 cm) beyond the bottom of the cabinets.

MODEL	A	B. Minimum Clearance from Left Side	C. Minimum Clearance from Right Side
30" Cooktop	30" (76.2 cm)	7" (17.8 cm)	7" (17.8 cm)
36" Cooktop	36" (91.4 cm)	7" (17.8 cm)	7" (17.8 cm)

Figure 2 – CABINET DESIGN

# GAS COOKTOP INSTALLATION INSTRUCTIONS

(For 30" & 36" Models)

## Typical Under Counter Installation of an Electric Built-in Oven with a Cooktop Mounted Above

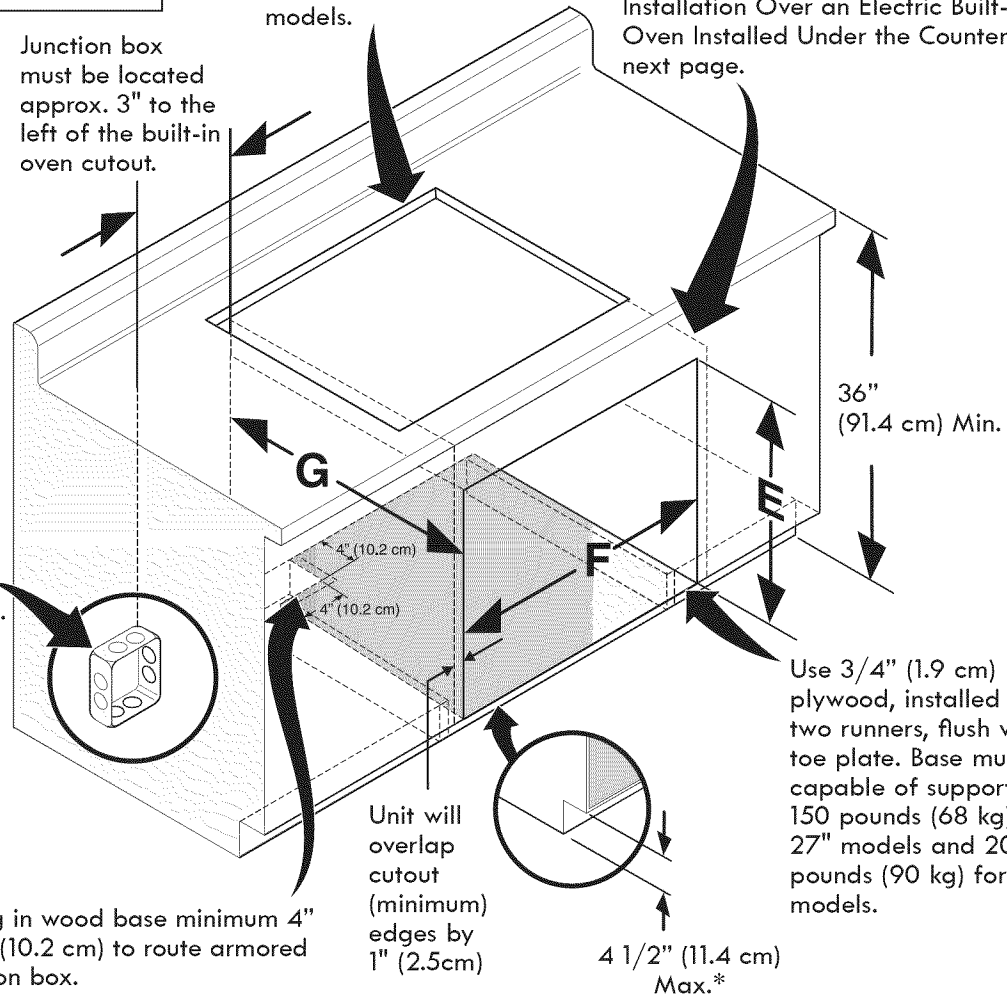
**⚠ WARNING**

All mounting hardware must be used to secure the built-in oven to the cabinets. Refer to the built-in oven installation instructions.

This cooktop may be installed over certain built-in electric oven models.

Side filler panels are necessary to isolate the unit from adjoining cabinets. Panel height should allow for installation of approved cooktop models. See "Typical Gas Cooktop Installation Over an Electric Built-in Oven Installed Under the Counter" on next page.

Junction box must be located approx. 3" to the left of the built-in oven cutout.



208/240 Volt grounded junction box for built-in oven.

Cut an opening in wood base minimum 4" (10.2 cm) x 4" (10.2 cm) to route armored cable to junction box.

Unit will overlap cutout (minimum) edges by 1" (2.5cm)

Use 3/4" (1.9 cm) plywood, installed on two runners, flush with toe plate. Base must be capable of supporting 150 pounds (68 kg) for 27" models and 200 pounds (90 kg) for 30" models.

4 1/2" (11.4 cm) Max.\*

\* If no cooktop is installed directly over the oven unit, 5" (12.7cm) maximum is allowed.

OVEN SIZE	CUTOUT DIMENSIONS (INCHES (CM))				G. DEPTH Min.
	E. HEIGHT		F. WIDTH		
	Min.	Max.	Min.	Max.	
30" (76.2)	27 1/4" (69.2 cm)	28 1/4" (71.8)	28 1/2" (72.4)	29" (73.7)	23 1/2" (59.7)
27" (68.6)	27 1/4" (69.2 cm)	28 1/4" (71.8)	24 7/8" (63.2)	25 1/4" (64.1)	23 1/2" (59.7)

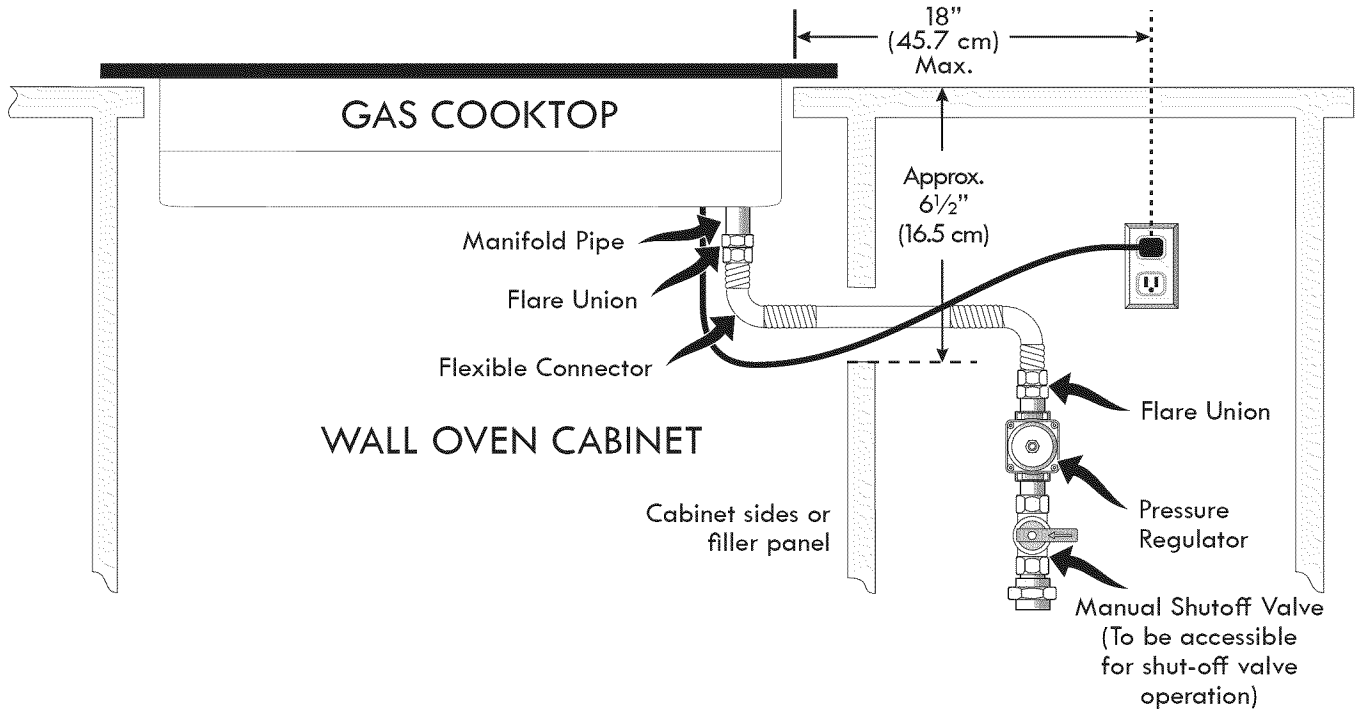
Figure 3

# GAS COOKTOP INSTALLATION INSTRUCTIONS

(For 30" & 36" Models)

## Typical Gas Cooktop Installation Over an Electric Built-in Oven Installed Under the Counter

### FRONT VIEW



### SIDE VIEW

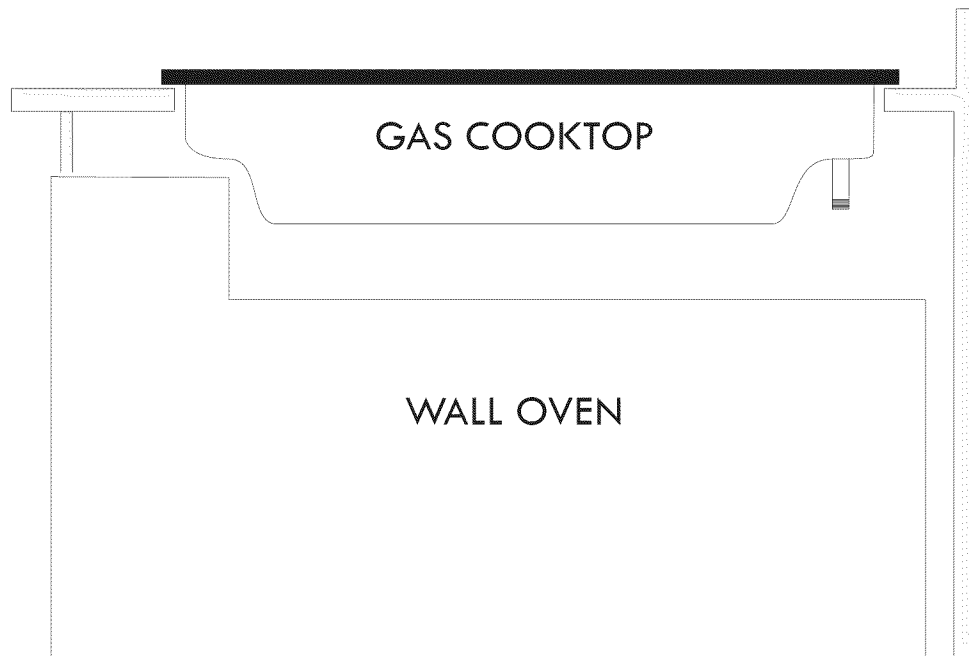
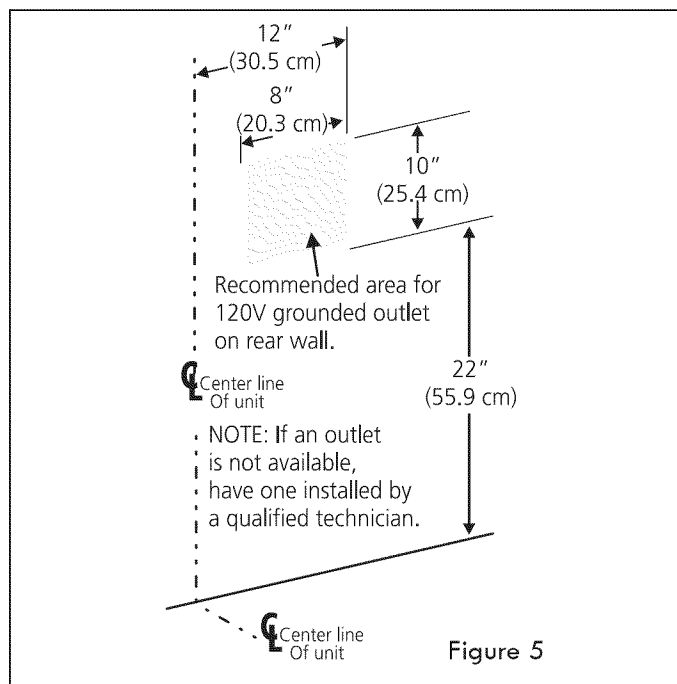


Figure 4

# GAS COOKTOP INSTALLATION INSTRUCTIONS

(For 30" & 36" Models)

## 1. Wall Outlet Location



## 2. Cooktop Installation

1. Visually inspect the cooktop for damage.
2. Set the cooktop into the countertop cutout.

**After inserting the cooktop into the countertop opening, make sure the unit is sitting on the metal flange around the top of the burner box. Cooktop must not sit on the glass or the porcelain top. Avoid cutting an oversized hole in the countertop.**

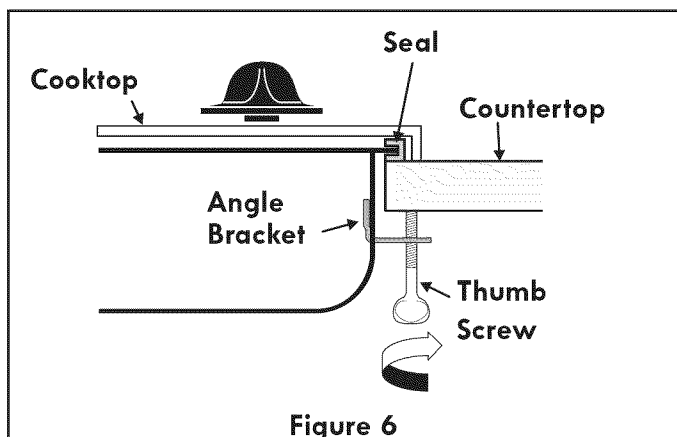
**NOTE:** Do not use caulking compound; cooktop should be removable for service when needed.

## Granite countertop Installation Kit

A Granite Countertop Installation kit # 903103-9010 can be ordered through a Sears Service Center.

## Clamp Down Information

Once the cooktop is installed in the counter opening, you must clamp the unit down as shown.



To clamp down, insert an angle bracket into the slot on each side of the unit as shown. Run thumb screw up through the bracket, up against the bottom of the counter. Tighten until the unit draws down and is secure.

## 3. Provide an Adequate Gas Supply

This cooktop is designed to operate on natural gas at 4" of manifold pressure only.

A pressure regulator is connected in series with the manifold on the cooktop and must remain in series with the supply line.

**For proper operation**, the maximum inlet pressure to the regulator must be no more than 14" of water column (W.C.) pressure.

For checking the regulator, the inlet pressure must be at least 1" (or 2.5 kPa) greater than the regulator manifold pressure setting. The regulator is set for 4" of manifold pressure, the inlet pressure must be at least 5".

The gas supply line to the range should be 1/2" or 3/4" pipe.

## 4. LP/Propane Gas Conversion

This appliance can be used with Natural gas or LP/Propane gas. It is shipped from the factory for use with natural gas.

A kit for converting to LP gas is supplied with your cooktop. The kit is marked "FOR LP/PROPANE GAS CONVERSION".

The conversion must be performed by a qualified service technician in accordance with the kit instructions and all local codes and requirements. Failure to follow instructions could result in serious injury or property damage. The qualified agency performing this work assumes responsibility for the conversion.

**! WARNING** Failure to make the appropriate conversion can result in serious personal injury and property damage.

**Important:** Remove all packing material and literature from cooktop before connecting gas and electrical supply to cooktop.

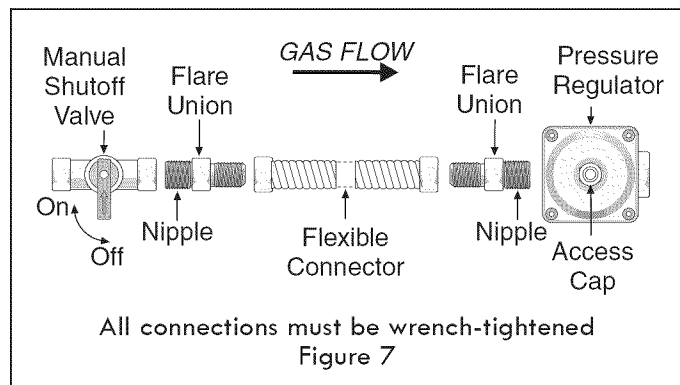
# GAS COOKTOP INSTALLATION INSTRUCTIONS

(For 30" & 36" Models)

## 5. Install Pressure Regulator

Install the pressure regulator with the arrow on the regulator pointing up toward the unit in a position where you can reach the access cap.

**⚠ WARNING** Do not make the connection too tight. The regulator is die cast. Overtightening may crack the regulator resulting in a gas leak and possible fire or explosion.

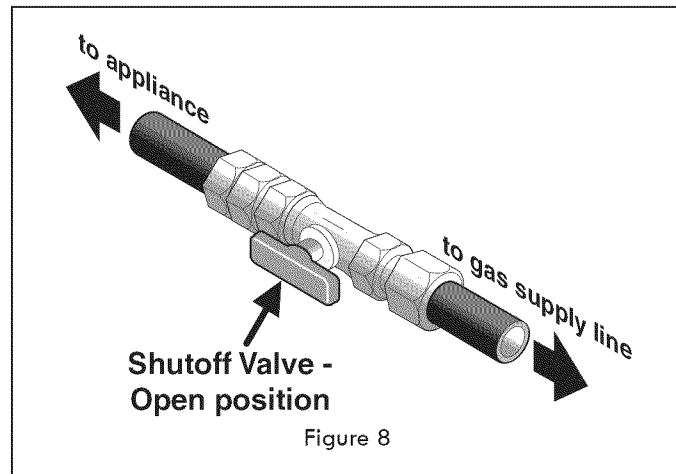


Assemble the flexible connector from the gas supply pipe to the pressure regulator in the following order:

1. manual shutoff valve
2. 1/2" (1.3 cm) nipple
3. 1/2" (1.3 cm) flare union adapter
4. flexible connector
5. 1/2" (1.3 cm) flare union adapter
6. 1/2" (1.3 cm) nipple
7. pressure regulator

Use pipe-joint compound made for use with Natural and LP/Propane gas to seal all gas connections. If flexible connectors are used, be certain connectors are not kinked.

The supply line must be equipped with an approved manual shutoff valve. This valve should be located in the same room as the cooktop and should be in a location that allows ease of opening and closing. Do not block access to the shutoff valve. The valve is for turning on or shutting off gas to the appliance.



Once regulator is in place, open the shutoff valve in the gas supply line. Wait a few minutes for gas to move through the gas line.

**Check for leaks.** After connecting the cooktop to the gas supply, check the system for leaks with a manometer. If a manometer is not available, turn on the gas supply and use a liquid leak detector (or soap and water) at all joints and connections to check for leaks.

**⚠ WARNING** Do not use a flame to check for leaks from gas connections. Checking for leaks with a flame may result in a fire or explosion.

**Tighten all connections** if necessary to prevent gas leakage in the cooktop or supply line.

**Check alignment of control knob valves** after connecting the cooktop to the gas supply to be sure the cooktop manifold pipe has not moved. A misalignment could cause the valve stems to rub on the control panel, resulting in a gas leak at the valve.

**Disconnect this cooktop and its individual manual shutoff valve** from the gas supply piping system during any pressure testing of that system at test pressures greater than 1/2 psig (3.5 kPa or 14" water column).

**Isolate the cooktop from the gas supply piping system** by closing its individual manual shutoff valve during any pressure testing of the gas supply piping system at test pressures equal to or less than 1/2 psig (3.5 kPa or 14" water column).

# GAS COOKTOP INSTALLATION INSTRUCTIONS

(For 30" & 36" Models)

## 6. Electrical Requirements

120 volt, 60 Hertz, properly grounded branch circuit protected by a 15 amp circuit breaker or time delay fuse. **Do not use an extension cord with this cooktop.**

### Grounding Instructions

**IMPORTANT** Please read carefully.

**For personal safety, this appliance must be properly grounded.**

The power cord of this appliance is equipped with a 3-prong (grounding) plug which mates with a standard 3-prong grounding wall receptacle (see Figure 9) to minimize the possibility of electric shock hazard from the appliance.

The wall receptacle and circuit should be checked by a qualified electrician to make sure the receptacle is properly grounded.

Where a standard 2-prong wall receptacle is installed, it is the personal responsibility and obligation of the consumer to have it replaced by a properly grounded 3-prong wall receptacle.

### Preferred Method

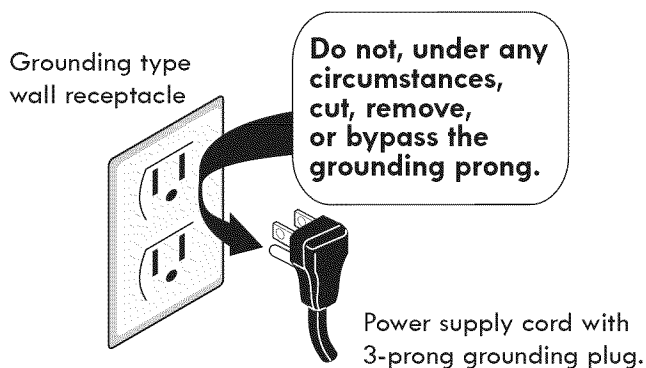


Figure 9

**Do not, under any circumstances, cut or remove the third (ground) prong from the power cord.**

**⚠ WARNING** Disconnect electrical supply cord from wall receptacle before servicing cooktop.

## 7. Check Operation

Refer to the **Use and Care Guide** packaged with the cooktop for operating instructions and for care and cleaning of your cooktop.

1. **Remove foam caps.**
2. **Turn on Electrical Power and Open Main Shutoff Gas Valve**
3. **Check the Igniters**

Operation of electric igniters should be checked after cooktop and supply line connectors have been carefully checked for leaks and the cooktop has been connected to electric power.

### To operate the surface burner:

- A. Push in and turn a surface burner knob to the LITE position. You will hear a small ticking noise; this is the sound of the electric ignitor which lights the burner.
- B. After the burner lights, turn to the desired flame size. The controls do not have to be set at a particular mark. Use the marks as a guide and adjust the flame as needed.



# GAS COOKTOP INSTALLATION INSTRUCTIONS

(For 30" & 36" Models)

## 4. Adjust the "LOW" setting for regular surface burner valves (Figure 10)

- Push in and turn control to LITE until burner ignites.
- Quickly** turn knob to LOWEST POSITION.
- If burner goes out, reset control to OFF.
- Remove the surface burner control knob.
- Insert a thin-bladed screwdriver into the hollow valve stem and engage the slotted screw inside. Flame size can be increased or decreased with the turn of the screw. Turn counterclockwise to increase flame size. Turn clockwise to decrease flame size. Adjust flame until you can quickly turn knob from LITE to LOWEST POSITION without extinguishing the flame. Flame should be as small as possible without going out.

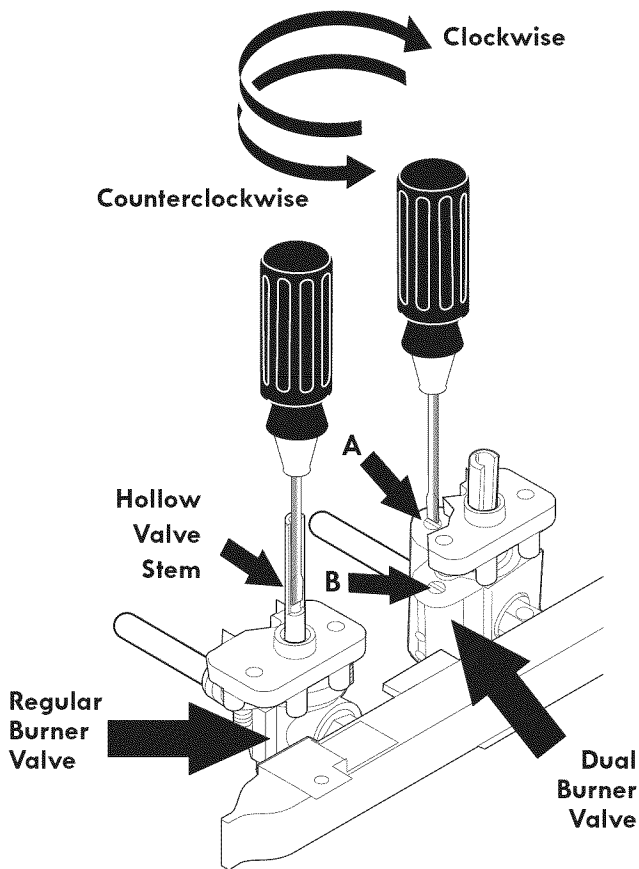


Figure 10

**Note:** Air mixture adjustment is not required on surface burners.

## 5. Adjust the "LOW" setting of the dual burner surface valve (Figure 10) (some models):

**Note:** On the dual valve the low setting of each portion should be adjusted individually.

- Push in and turn knob to LITE then continue to turn until only the inner portion of the dual burner stays on.
- Quickly** turn knob to LOWEST POSITION.
- If burner goes out, reset control to OFF.
- Remove the surface burner control knob.
- The inner portion of the dual burner flame size can be increased or decreased with the turn of the screw **B**. Use screw **A** to adjust the low flame size of the outer portion of the dual burner. Turn the screw counterclockwise to increase flame size. Turn the screw clockwise to decrease flame size. Adjust flame until you can quickly turn knob from HIGH to LOWEST POSITION without extinguishing the flame. Flame should be as small as possible without going out.

**Note:** Air mixture adjustment is not required on surface burners.

## When All Hookups are Complete

Make sure all controls are left in the OFF position.

Make sure the flow of combustion and ventilation air to the cooktop is unobstructed.

## Model and Serial Number Location

The serial plate is located on the underside of the cooktop.

When ordering parts for or making inquiries about your range, always be sure to include the model and serial numbers and a lot number or letter from the serial plate of your cooktop.

Your serial plate also tells you the rating of the burners, the type of fuel and the pressure the cooktop was adjusted for when it left the factory.

## Before You Call for Service

Read the Before You Call for Service Checklist and operating instructions in your **Use and Care Guide**. It may save you time and expense. The list includes common occurrences that are not the result of defective workmanship or materials in this appliance.

Refer to the warranty in your **Use and Care Guide** for our service phone number and address. Please call or write if you have inquiries about your product and/or need to order parts.

# INSTRUCCIONES DE INSTALACIÓN PARA PLANCHA DE COCINAR A GAS

(Para modelos de 30 & 36)

**LA INSTALACIÓN Y EL SERVICIO DEBEN SER REALIZADOS POR UN INSTALADOR CALIFICADO. IMPORTANTE: GUARDE ESTAS INSTRUCCIONES PARA USO DEL INSPECTOR ELÉCTRICO LOCAL. LEA Y GUARDE ESTAS INSTRUCCIONES PARA FUTURAS REFERENCIAS**

**ADVERTENCIA** Si todas las instrucciones de éste manual no son observadas a la letra, se puede ocurrir incendios o explosiones que pueden causar daños materiales, lesiones o la muerte.

**PARA SU SEGURIDAD:**

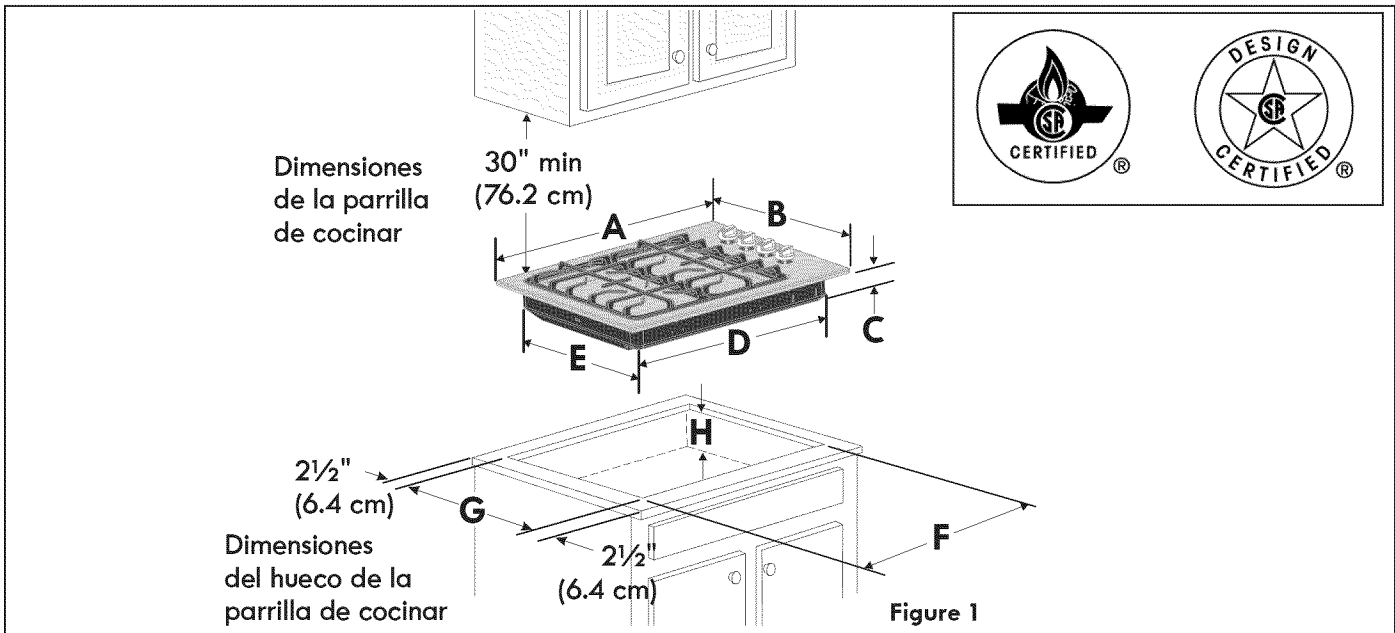
- No almacene o utilice gasolina u otros vapores y líquidos inflamables cerca de éste o cualquier otro artefacto.
- **QUE HACER SI HAY FUGAS DE GAS :**
  - No intente de encender ningún artefacto
  - No toque ningún interruptor eléctrico; no utilice ningún aparato telefónico en su edificio.
  - Llame inmediatamente el abastecedor de gas desde el teléfono de un vecino. Siga las instrucciones del abastecedor de gas.
  - En caso que no puede contactar el abastecedor de gas llame al departamento de bomberos.
- La instalación y el servicio telefónico deben ser realizados por un instalador calificado, por un servicio técnico certificado o por el abastecedor de gas.

**Aparatos Instalados en el estado de Massachusetts:**

Este Aparato sólo puede ser instalado en el estado de Massachusetts por un plomero o ajustador de gas licenciado de Massachusetts.

Este aparato se debe instalar con un largo conector flexible de gas de tres (3) pies/36 pulgadas.

Una válvula manual de gas de tipo manija de forma de "T" se debe instalar en la línea del suministro de gas de este aparato.



DIMENSIONES DE LA PARRILLA DE COCINAR					
MODELO	A. ANCHURA	B. PROFUNDIDAD	C. ALTURA	D. ANCHO DE LA CAJA	E. PROFUNDIDAD DE LA CAJA
Modelo de 30"	30 (76.2)	21 3/4 (55.2)	4 1/4 (10.8)	27 (68.6)	19 (48.3)
Modelo de 36"	36 (91.4)	21 3/4 (55.2)	4 1/4 (10.8)	33 1/4 (84.5)	19 (48.3)
DIMENSIONES DEL HUECO DE LA PARRILLA DE COCINAR					
MODELO	F. ANCHURA		G. PROFUNDIDAD		H. ALTURA POR DEBAJO DE LA ESTUFA
	MÍNIMUM	MÁXIMUM	MÍNIMUM	MÁXIMUM	
Modelo de 30"	26 5/8 (67.6)	26 7/8 (68.3)	19 (48.3)	19 3/8 (49.2)	8 (20.3)
Modelo de 36"	33 7/8 (86.1)	34 1/4 (87)	19 1/8 (48.6)	19 3/4 (50.2)	8 (20.3)

Todas las dimensiones se dan en pulgadas (cm).

La dimensión H incluye un espacio de 5" por debajo de la plancha de cocinar para la conexión de la línea de suministro de gas.

**NOTA:** Se adjunta los diagramas de cables de esta plancha de cocinar con el libreta.

Imprimido en los Estados Unidos

318201491 (1004) Rev. A

English - pages 1-9

Español - páginas 10-18

Diagrama de la instalación alambica 19-20

# INSTRUCCIONES DE INSTALACIÓN PARA PLANCHA DE COCINAR A GAS

(Para modelos de 30 & 36)

## Notas importantes para el instalador:

1. Lea todas las instrucciones de instalación antes de realizar la instalación de la plancha de cocinar.
2. Retire todos los artículos de embalaje antes de realizar las conexiones eléctricas a la plancha de cocinar.
3. Observe todos los códigos o reglamentos estatales.
4. Asegúrese que el consumidor tenga estas instrucciones.
5. Nota: Para el correcto funcionamiento en lugares superiores a los 2000 ft, el régimen del mecanismo debe reducirse un 4% por cada 1000 ft sobre el nivel del mar.

## Notas importantes para el consumidor

Guarde todas las instrucciones con su manual del usuario para futuras referencias.

## INSTRUCCIONES DE SEGURIDAD IMPORTANTES

La instalación de esta plancha de cocinar debe realizarse en conformidad con los códigos locales o, si estos no existen, con el National Fuel Gas Code ANSI Z223.1/NFPA 54 en los Estados Unidos, o en Canada, con el Canadian Fuel Gas Code, CAN/CGA B149 y CAN/CGA B149.2.

- La instalación de aparatos diseñados para instalación en casas prefabricadas (móviles) debe conformar con el Manufactured Home Construction and Safety Standard, título 24CFR, parte 3280 [Anteriormente el Federal Standard for Mobile Home Construction and Safety, título 24, HUD (parte 280)] o cuando tal estándar no se aplica, el Standard for Manufactured Home Installation, ANSI/NCSBCS 225.1, o con los códigos locales.

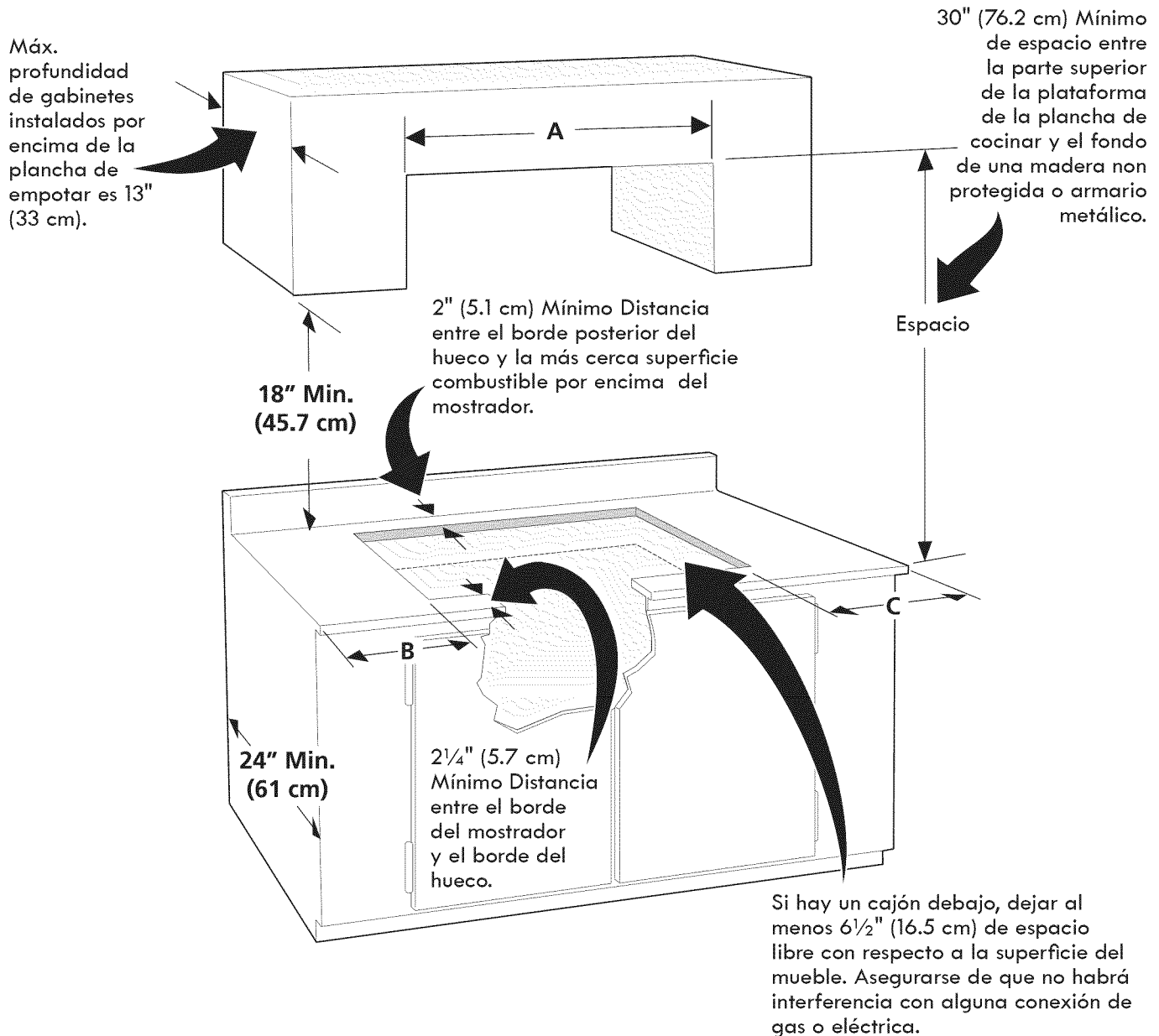
El diseño de esta plancha de cocinar cuenta con la aprobación de la CSA internacional. Al igual que todos los artefactos a gas que generan calor, deben seguirse ciertas medidas de seguridad. Vienen con el Manual del Usuario. Lea atentamente el manual.

- Asegúrese que la plancha de cocinar sea instalada y puesta a tierra correctamente por un instalador o técnico calificado.
- La plancha de cocinar debe conectarse eléctricamente a tierra de acuerdo con los códigos locales o, de no existir, con el código eléctrico ANSI/NFPA No. 70 - última edición en los Estados Unidos, or in Canada, con el Canadian Electrical Code, CSA C22.1 Parte 1.
- Los quemadores pueden encenderse manualmente durante una interrupción del suministro eléctrico. Para encender un quemador, mantenga un fósforo encendido en el extremo del quemador, luego gire suavemente la perilla hasta LITE (encendido). Tenga cuidado al encender los quemadores en forma manual.
- No deje artículos que interesan los niños en los armarios que están sobre la plancha de cocinar. Les podría causar quemaduras graves si intentan subirse para alcanzarlos.
- Para eliminar el riesgo de extender por encima de los quemadores superiores, debería evitar el espacio de almacenamiento del armario, localizado por encima de estos quemadores
- Gradúe el tamaño de la llama de modo que no sobrepase el borde del utensilio de cocina. Demasiada llama es peligrosa.
- No utilice jamás la cocina como calefactor. El uso prolongado de la cocina sin la ventilación adecuada puede ser peligroso.
- Mantenga el área cerca de este artefacto o de cualquier otro artefacto despejada de sustancias combustibles, gasolina y otros líquidos inflamables. Se puede ocurrir incendios o explosiones.

**⚠ ADVERTENCIA** El suministro eléctrico a la plancha de cocinar debe de ser cerrado durante las conexiones a la línea. De lo contrario se puede resultar lesiones graves o la muerte.

# INSTRUCCIONES DE INSTALACIÓN PARA PLANCHA DE COCINAR A GAS

(Para modelos de 30 & 36)



Si hay un cajón debajo, dejar al menos 6 1/2" (16.5 cm) de espacio libre con respecto a la superficie del mueble. Asegurarse de que no habrá interferencia con alguna conexión de gas o eléctrica.

**⚠ PRECAUCIÓN** Nunca almacene productos inflamables en el cajón.

**⚠ PRECAUCIÓN** Para eliminar el riesgo de alargar sobre los unidades en calentamiento de la superficie, debería evitarse el espacio de almacenamiento del armario, ubicado sobre las unidades de la superficie. Si se cuenta con este espacio, se puede disminuir el peligro instalando una cubierta de cocina que se extienda horizontalmente en 5" (12.7 cm) mínimo por sobre la parte inferior delantera en los armarios.

MODELO DE PLANCHA DE COCINAR	A	B. Espacio mínimo desde el lado izquierdo	C. Espacio mínimo desde el lado derecho
Modelo 30"	30" (76.2 cm)	7" (17.8 cm)	7" (17.8 cm)
Modelo 36"	36" (91.4 cm)	7" (17.8 cm)	7" (17.8 cm)

Figura 2 – DISEÑO DEL ARMARIO

# INSTRUCCIONES DE INSTALACIÓN PARA PLANCHA DE COCINAR A GAS

(Para modelos de 30 & 36)

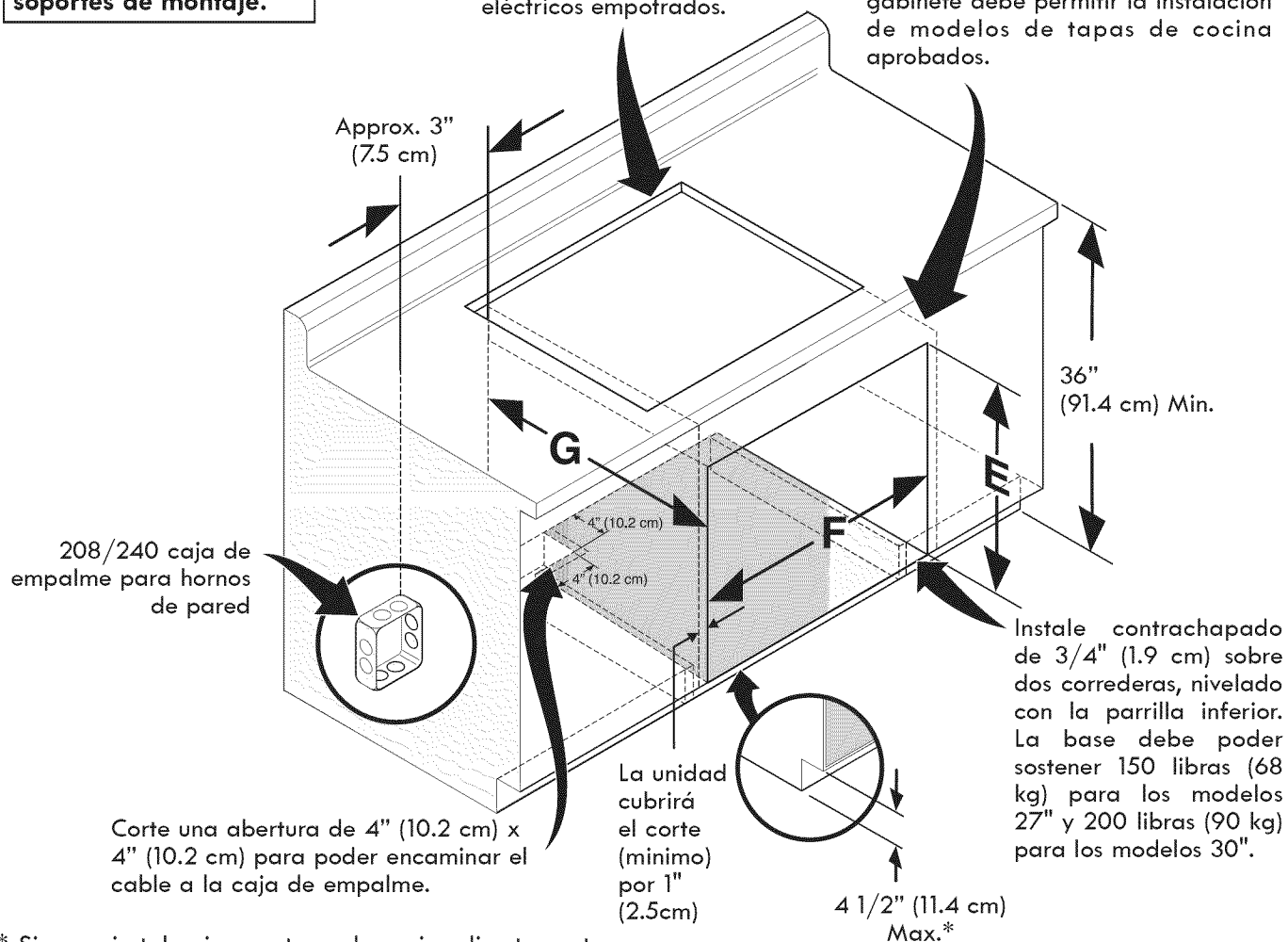
## Típica instalación de un horno eléctrico empotrado con una plancha de cocinar por encima

### ⚠ ADVERTENCIA

Para reducir el riesgo de lesiones personales y inclinación del horno de pared, éste debe asegurarse a los gabinetes mediante soportes de montaje.

Sólo ciertos modelos de tapas de cocina se pueden instalar sobre ciertos modelos de hornos eléctricos empotrados.

Los paneles de relleno lateral del gabinete son necesarios para aislar la unidad de los gabinetes adyacentes. La altura del relleno lateral del gabinete debe permitir la instalación de modelos de tapas de cocina aprobados.



\* Si no se instala ninguna tapa de cocina directamente sobre la unidad del horno, se permite un espacio máximo de 5" (12,7 cm) sobre el piso.

HORNO DE PARED	DIMENSIONES DE ABERTURA (PULGADAS (CM))				
	E. ALTURA		F. ANCHURA		G. PROFUNDIDAD
	Min.	Max.	Min.	Max.	
30" (76.2)	27 1/4" (69.2 cm)	28 1/4" (71.8)	28 1/2" (72.4)	29" (73.7)	23 1/2" (59.7)
27" (68.6)	27 1/4" (69.2 cm)	28 1/4" (71.8)	24 7/8" (63.2)	25 1/4" (64.1)	23 1/2" (59.7)

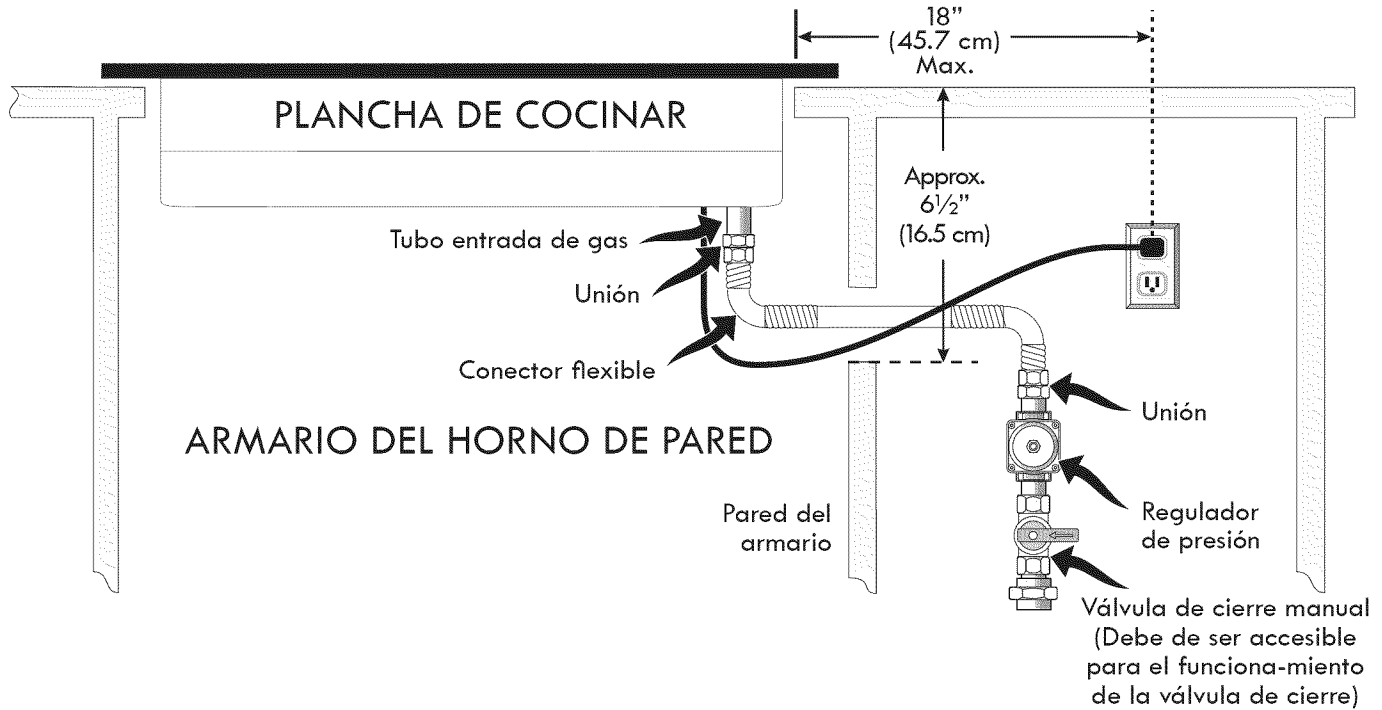
Figura 3

# INSTRUCCIONES DE INSTALACIÓN PARA PLANCHA DE COCINAR A GAS

(Para modelos de 30 & 36)

Instalación típica de la plancha de cocinar a gas por encima de un horno eléctrico empotrado instalado debajo del mostrador

## VISTA FRONTAL



## VISTA LATERAL

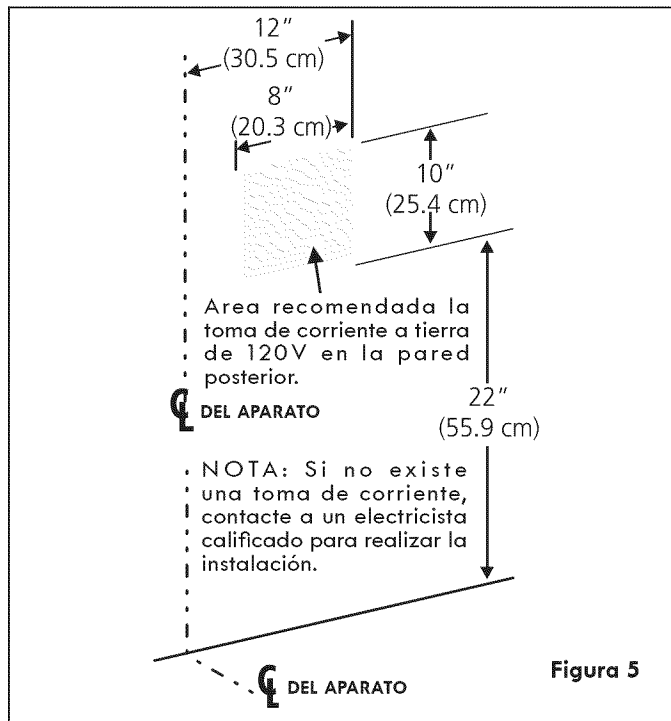


Figura 4

# INSTRUCCIONES DE INSTALACIÓN PARA PLANCHA DE COCINAR A GAS

(Para modelos de 30 & 36)

## 1. Ubicación de la toma de corriente de la pared



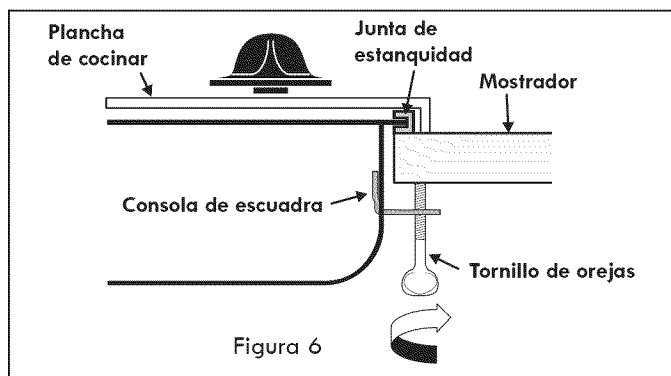
## 2. Instalación de la plancha de cocinar

1. Examine visualmente la plancha de cocinar para saber si hay daño.
2. Fije la plancha de cocinar en el recorte del mostrador.

Después de haber introducido la plancha de cocinar dentro de la abertura asegúrese que el artefacto está soportado por la base metálica que rodea la parte superior de la caja del quemador. La plancha de cocinar no debe apoyarse contra la parte superior del mostrador. Evite cortar un agujero demasiado grande en el mostrador.

### Información para sujetar el aparato

Una vez que el aparato está instalado en la apertura del mostrador, se tiene que sujetar como se indica. Para ajustar el aparato, inserte la consola de escuadra, con el lado desviado, en las ranuras en cada lado del aparato. El tornillo de orejas debe entonces de pasar a través del soporte y hasta la parte de abajo del mostrador. Apriételo hasta que el aparato se quede ajustado.



## 3. Provea un adecuado suministro de gas

Esta plancha de cocinar está diseñada para utilizar gas natural de 4" de presión múltiple solamente.

Se conecta un regulador de presión en serie al múltiple de la plancha de cocinar y debe permanecer en serie con la línea de suministro de gas.

Para que maneje correcto, la presión de entrada máxima hacia el regulador no debe exceder 14" de presión de la columna de agua.

Para controlar el regulador, la presión de entrada debe ser de al menos 1" (o 2.5 Kpa) mayor que el ajuste de la presión del múltiple del regulador. El regulador se ajusta a 4" de la presión del múltiple, la presión de entrada debe de ser de al menos 5".

La línea de suministro de gas por el horno debería tener un tubo de 1/2" o de 3/4".

## 4. Conversión de gas propano/licuado

Esta plancha de cocinar ha sido diseñada para utilizar gas natural o gas propano. Ha sido fijada en la fábrica para utilizarse con gas natural.

Si desea hacer la conversión para utilizar el gas propano, use las piezas con orificios fijados provistos en el paquete del manual de instrucciones para la instalación en el paquete escrito "PARA LA CONVERSIÓN EN GAS PROPANO". Siga las instrucciones que están con los orificios.

Para hacer la conversión del gas natural al gas propano, es necesario utilizar el servicio de un técnico calificado, in acuerdo con las instrucciones del fabricante y todos los códigos y reglamentos reguladores. Si todas las instrucciones no son observadas, se puede ocurrir severos lesiones o daños materiales. La agencia calificada que hace el trabajo asuma la responsabilidad para la conversión.

**PRECAUCION** Si la conversión apropiada no esta observada, se puede ocurrir severos lesiones o daños materiales.

**Importante:** Retire todos los artículos de embalaje y folletos de la cocina antes de realizar las conexiones de gas y eléctricas a la cocina.

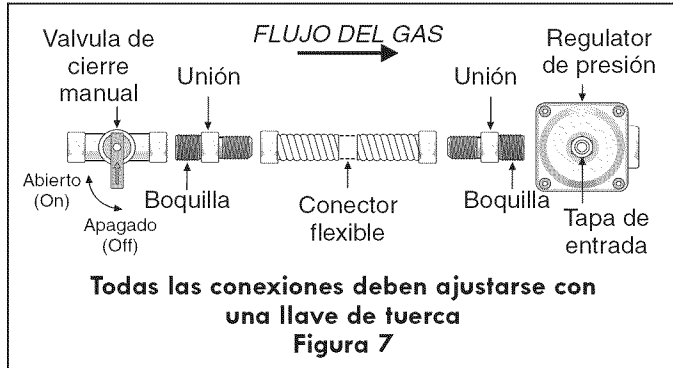
# INSTRUCCIONES DE INSTALACIÓN PARA PLANCHA DE COCINAR A GAS

(Para modelos de 30 & 36)

## 5. Instalación del regulador de presión

Instale el regulador de presión con la flecha del regulador apuntando hacia la unidad en una posición que permita alcanzar la tapa de entrada.

**⚠ PRECAUCIÓN** No ajuste demasiado la conexión. El regulador está fundida a presión. Al ajustar demasiado se puede romper el regulador causando una fuga de gas y un posible incendio o explosión.

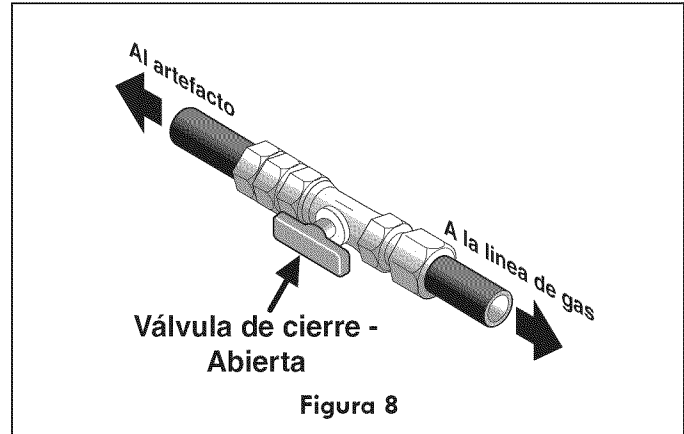


Monte el conector flexible del tubo del suministro de gas al regulador de presión en funcionamiento:

1. válvula de cierre manual
2. boquilla de 1/2" (1.3 cm)
3. adaptador de 1/2" (1.3 cm)
4. conector flexible
5. adaptador de 1/2" (1.3 cm)
6. boquilla de 1/2" (1.3 cm)
7. regulador de presión.

Utilice un compuesto de tubo articulado para uso de gas natural y propano para sellar todas las conexiones de gas. Si se utilizan conectores flexibles, asegúrese que los conectores no están torcidos.

El tubo de suministro de gas debería incluir una válvula de cierre certificada. Esta válvula debería estar ubicada en la misma habitación de la plancha de cocinar y debería estar en un lugar que permita una apertura y cierre fáciles. No bloquee las entradas de la válvula de cierre. La válvula sirve para abrir o cerrar el paso del gas al artefacto.



Abra la válvula de cierre en el tubo de suministro de gas. Espere unos minutos para que el gas pase a través del tubo de gas.

**Verifique si hay fugas.** Luego de conectar la cocina al gas, verifique el sistema con un manómetro. Si no cuenta con éste instrumento, dé la vuelta al suministro de gas de la cocina y utilice un detector de fugas líquidas (o agua y jabón) en todas las articulaciones y conexiones para verificar si existen fugas.

**⚠ ADVERTENCIA** No use ningún tipo de llama para verificar si hay fugas de gas. Verifique si hay fugas con una llama puede ocasionar incendio o explosión.

**Ajuste todas las conexiones** en caso que sea necesario, para evitar fugas de gas en la cocina o en el tubo de suministro de gas.

**Verifique la alineación de las válvulas** luego de conectar la plancha de cocinar al suministro de gas para asegurar que no se ha movido la válvula del múltiple de la plancha de cocinar.

**Desconecte la cocina y su válvula de cierre individual** del sistema de tubería del suministro de gas durante cualquier ensayo de presión del sistema en ensayos de presión superiores a 1/2 psig (3.5 kPa o 14" columna de agua).

**Aparte la cocina del sistema de tubería del suministro de gas** cerrando su válvula de cierre individual manual, durante cualquier ensayo de presión del sistema de suministro de gas en ensayos iguales o inferiores a 1/2 psig (3.5 kPa o 14" columna de agua).



# INSTRUCCIONES DE INSTALACIÓN PARA PLANCHA DE COCINAR A GAS

(Para modelos de 30 & 36)

## 6. Requerimientos eléctricos

Un circuito derivado conectado correctamente a tierra de 120 voltios, 60 Herz protegido por un interruptor automático de 15 amp o un fusible de retardo. **No utilice un cable flexible de extensión en esta plancha de cocinar.**

### Instrucciones para la puesta a tierra

**IMPORTANTE** Por favor, lea atentamente.

**Como medida de seguridad personal, esté artefacto debe conectarse a tierra correctamente.**

El cable de encendido de este artefacto incluye un enchufe de tres patas (a tierra) que calza con un enchufe de pared de tres patas de conexión a tierra (ver Figura 9) para disminuir la posibilidad de peligro de choques eléctricos desde el artefacto.

Un electricista calificado debe verificar el enchufe de pared y el circuito para asegurar que el enchufe está conectado a tierra correctamente.

En caso de encontrarse con un enchufe de pared de dos patas, es la personal responsabilidad y la obligación del consumidor reemplazarlo por el enchufe de pared a tierra de tres patas correspondiente.

#### MÉTODO PREFERIDO

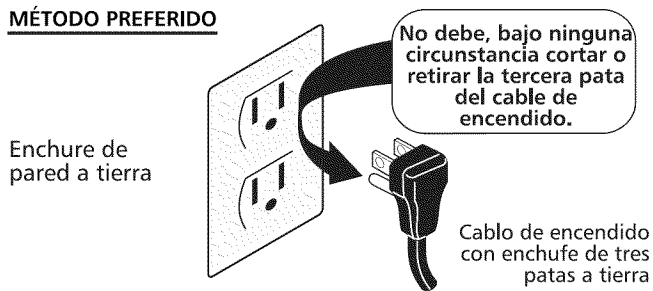


Figura 9

**No debe, bajo ninguna circunstancia cortar o retirar la tercera pata (tierra) del cable de encendido**

**⚠ PRECAUCION** Desconecte el cable del suministro eléctrico del enchufe de pared antes de reparar la plancha de cocinar.

## 7. Verifique la operación

Refiera al Manual del Usuario que viene con la plancha de cocinar para las instrucciones de funcionamiento y el mantenimiento y la limpieza de su plancha de cocinar.

No toque a los quemadores. Pueden estar suficientemente calientes par causar quemaduras.

1. **Quitar las cintas de los quemadores.**
2. **Abre el suministro eléctrico y la válvula de cierre principal del gas.**

### 3. Verifique los dispositivos de encendido

La manipulación de los dispositivos de encendido eléctrico debería verificarse tras haber revisado detenidamente la plancha de cocinar y los conectores del tubo del suministro de fugas y tras haber conectado la plancha de cocinar al suministro eléctrico.

#### Para operar en la superficie del quemador:

- A. Presione y gire la perilla de control hasta LITE. Se escuchará a un pequeño ruido. Éste es el ruido producido por el dispositivo de encendido eléctrico cuando enciende el quemador.
- B. Una vez que el quemador está encendido, gire hasta obtener el tamaño de la llama deseada. No es necesario ajustar los controles en una marca determinada. Use las marcas como guía y ajuste la llama según se desea.

# INSTRUCCIONES DE INSTALACIÓN PARA PLANCHA DE COCINAR A GAS

(Para modelos de 30 & 36)

## 4. Ajuste bajo ("LO") ara la válvula de los quemadores de superficie (Figura 10)

- Presione y gire el control hasta la posición LITE para prender los quemadores.
- Gire **rápidamente** gire la perilla a la POSICIÓN MAS BAJA.
- Si el quemador se apaga, reajuste el control a OFF.
- Retire la perilla del quemador de superficie.
- Inserte un destornillador fino-aplanado en el orificio del vástago de la válvula e inserte en el tornillo ranurado. El tamaño de la llama puede aumentarse o disminuirse dándole vuelta al tornillo. Dé vuelta en sentido opuesto a las manecillas del reloj para aumentar el tamaño de la llama. Dé vuelta en sentido a las manecillas del reloj para disminuir la llama. Ajuste la llama hasta que usted puede dar vuelta rápidamente a la perilla de la posición LITE a la POSICIÓN MÁS BAJA sin extinguir la llama. La llama debe ser tan pequeña como sea posible sin apagarse.

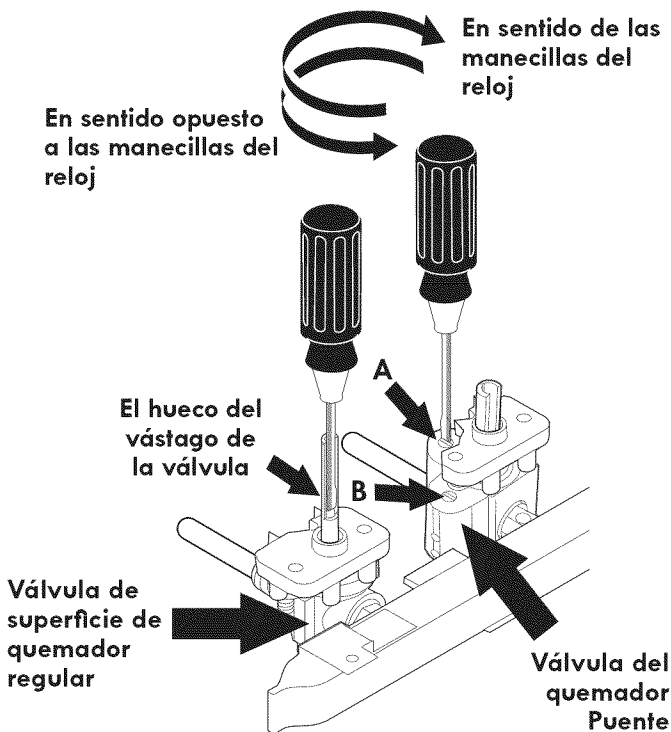


Figura 10

## 5. Ajuste bajo "LOW" para la válvula de quemador de superficie doble (algunos modelos) (Figura 10)

Nota: En la válvula de quemador doble el ajuste "LOW" de cada porción se debe ajustar individualmente.

- Presione y gire la perilla a la posición LITE luego, siga girendo hasta que usted vea solamente la flama interna del quemador doble.
- Gire **rápidamente** a la perilla a la POSICIÓN MÁS BAJA.
- Si el quemador se apaga, reajuste el control a OFF.
- Retire la perilla del quemador de superficie.
- El tamaño de la flama de la porción interior del quemador doble puede aumentarse o disminuirse dándole vuelta al tornillo B. Utilice el tornillo A para ajustar el tamaño de la llama de la posición LOW de la porción exterior del quemador doble. Dé vuelta en sentido opuesto de las manecillas del reloj para aumentar el tamaño de la llama. Dé vuelta en sentido a las manecillas del reloj para disminuir la llama. Ajuste la llama hasta que usted puede dar vuelta rápidamente a la perilla de la posición HIGH a la POSICIÓN MÁS BAJA sin extinguir la llama. La llama debe ser tan pequeña como sea posible sin apagarse.

Nota: El ajuste de la mezcla del aire no se requiere en los quemadores de superficie.

## Cuando se han realizado todos los sistemas de conexión

Asegúrese que todos los controles están en la posición de OFF (apagado).

Asegúrese que el flujo de combustión y ventilación de aire de la cocina no están obstruidos

## Modelo y ubicación del número de serie

La placa de número de serie está ubicada en el lado de abajo de la caja de quemadores.

Asegúrese de incluir el modelo, número de serie y el número o letra del lote que se encuentran en la placa, en todo pedido de partes o solicitud de información acerca de su plancha de cocinar.

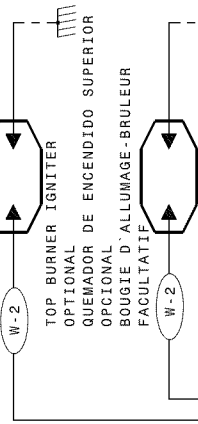
La placa de número de serie también indica las especificaciones de los quemadores, el tipo de combustible y la presión para la cual fue ajustada la plancha de cocinar en la fábrica.

## Antes de llamar al servicio

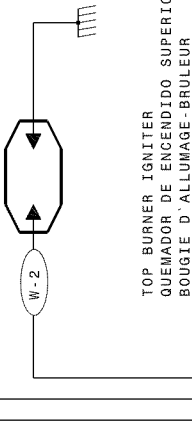
Lea la sección Lista de Control de Averías en su Manual del Usuario. Esto le podrá ahorrar tiempo y gastos. Esta lista incluye ocurrencias comunes que no son el resultado de defectos de materiales o fabricación de este artefacto.

Lea la garantía y la información sobre el servicio en su Manual del Usuario para obtener el número de teléfono y la dirección del servicio o llamar **1-888-SU-HOGAR<sup>SM</sup>**. Por favor llame o escriba si tiene preguntas acerca de su estufa o necesita repuestos.

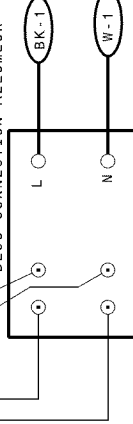
TOP BURNER IGNITER  
 OPTIONAL  
 QUEMADOR DE ENCENDIDO SUPERIOR  
 OPCIONAL  
 BOUGIE D'ALLUMAGE-BRULEUR  
 FACULTATIF



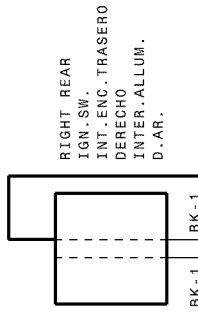
TOP BURNER IGNITER  
 OPTIONAL  
 QUEMADOR DE ENCENDIDO SUPERIOR  
 OPCIONAL  
 BOUGIE D'ALLUMAGE-BRULEUR  
 FACULTATIF



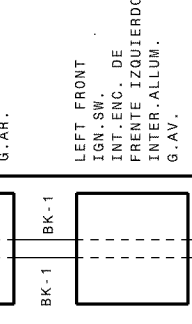
TOP BURNER IGNITER  
 OPTIONAL  
 QUEMADOR DE ENCENDIDO SUPERIOR  
 OPCIONAL  
 BOUGIE D'ALLUMAGE-BRULEUR  
 FACULTATIF



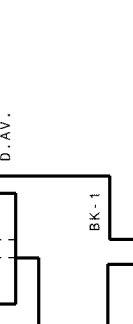
TOP BURNER IGNITER  
 OPTIONAL  
 QUEMADOR DE ENCENDIDO SUPERIOR  
 OPCIONAL  
 BOUGIE D'ALLUMAGE-BRULEUR  
 FACULTATIF



TOP BURNER IGNITER  
 OPTIONAL  
 QUEMADOR DE ENCENDIDO SUPERIOR  
 OPCIONAL  
 BOUGIE D'ALLUMAGE-BRULEUR  
 FACULTATIF



TOP BURNER IGNITER  
 OPTIONAL  
 QUEMADOR DE ENCENDIDO SUPERIOR  
 OPCIONAL  
 BOUGIE D'ALLUMAGE-BRULEUR  
 FACULTATIF



CONNECTOR  
 EMPALME  
 CONNECTEUR

GROUND  
 PUESTA A TIERRA  
 MISE A LA TERRE

POWER CORD  
 PARA TRANSPORTE  
 DE FUERZA  
 CABLE  
 D'ALIMENTATION

WARNING  
 DISCONNECT POWER BEFORE SERVICING UNIT.  
 AVISO  
 DESCONECTE LA ENERGIA ANTES DE REALIZAR  
 EL MANTENIMIENTO DEL ELECTRODOMESTICO.  
 AVERTISSEMENT  
 COUPER LE COURANT AVANT D'EFFECTUER LA  
 REPARATION.

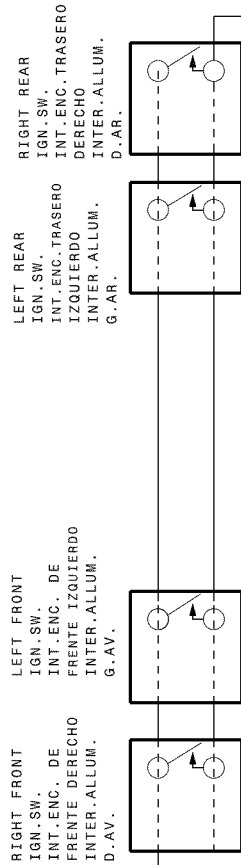
COLOR CODE / CODIGOS DE COLOR / CODE COULEUR	
BK BLACK / NEGRO / NOIR	
W WHITE / BLANCO / BLANC	

2	18	200	3304
1	20	150	3321
WIRE ALAMBRE FIL	GAGE MEDIDA CAL.	TEMP. °C	UL STYLE MODO UL STYLE UL

**CAUTION:**  
 LABEL ALL WIRES PRIOR TO DISCONNECTION WHEN SERVICING CONTROLS.  
 WIRING ERROR CAN CAUSE IMPROPER AND DANGEROUS OPERATION.  
 VERIFY PROPER OPERATION AFTER SERVICING.

**AVISO:**  
 ETIQUETE TODOS LOS ALAMBRES ANTES DE DESCONECTAR PAR  
 REALIZAR EL MANTENIMIENTO DE LOS CONTROLES. ERROR DE  
 ALAMBRAJE PUEDE CAUSAR UN FUNCIONAMIENTO INCORRECTO  
 Y PELIGROSO. VERIFIQUE SI EL FUNCIONAMIENTO ESTA  
 CORRECTO DESPUES DEL MANTENIMIENTO.

**AVERTISSEMENT:**  
 ETIQUETER CHAQUE FIL AVANT LE DEBRANCHEMENT DE CEUX-CI. UNE ERREUR DE  
 BRANCHEMENT PEUT CAUSER UNE OPERATION DANGEREUSE. VERIFIER LE BON  
 FONCTIONNEMENT DE L'APPAREIL APRES TOUTE REPARATION.



TOP BURNER IGNITER  
 QUEMADOR DE ENCENDIDO SUPERIOR  
 BOUGIE D'ALLUMAGE-BRULEUR

TOP BURNER IGNITER  
 QUEMADOR DE ENCENDIDO SUPERIOR  
 BOUGIE D'ALLUMAGE-BRULEUR

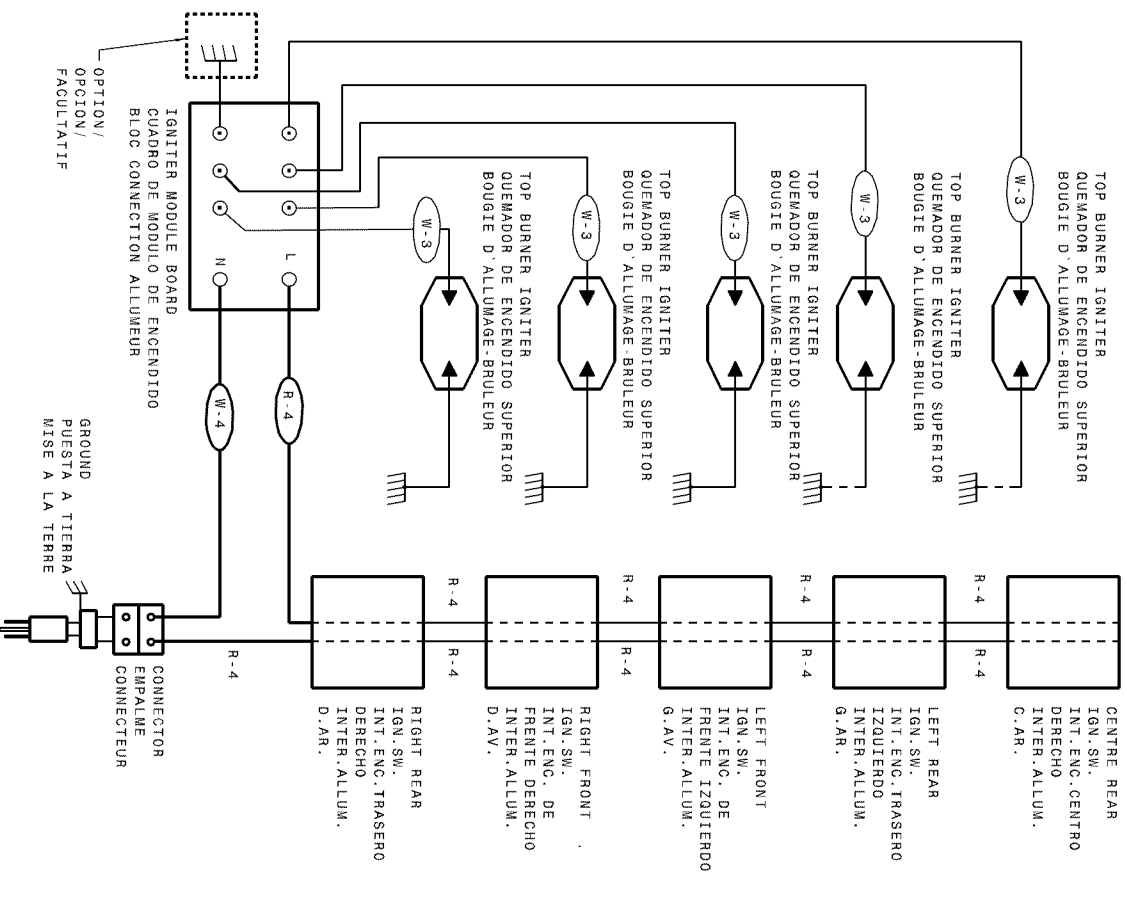
TOP BURNER IGNITER  
 QUEMADOR DE ENCENDIDO SUPERIOR  
 BOUGIE D'ALLUMAGE-BRULEUR

TOP BURNER IGNITER  
 QUEMADOR DE ENCENDIDO SUPERIOR  
 BOUGIE D'ALLUMAGE-BRULEUR

IGNITER MODULE BOARD  
 CUADRO DE MODULO DE ENCENDIDO  
 BLOC CONNECTION ALLUMEUR

L1

N



**WARNING**  
DISCONNECT POWER BEFORE SERVICING UNIT.  
**AVISO**  
DESCONECTE LA ENERGIA ANTES DE REALIZAR EL MANTENIMIENTO DEL ELECTRODOMESTICO.  
**AVERTISSEMENT**  
COUPER LE COURANT AVANT D'EFFECTUER LA REPARATION.

**W** WHITE / BLANCO / BLANC  
**R** RED / ROJO / ROUGE  
**C** COLOR CODE / CODIGOS DE COLOR / CODE COULEUR

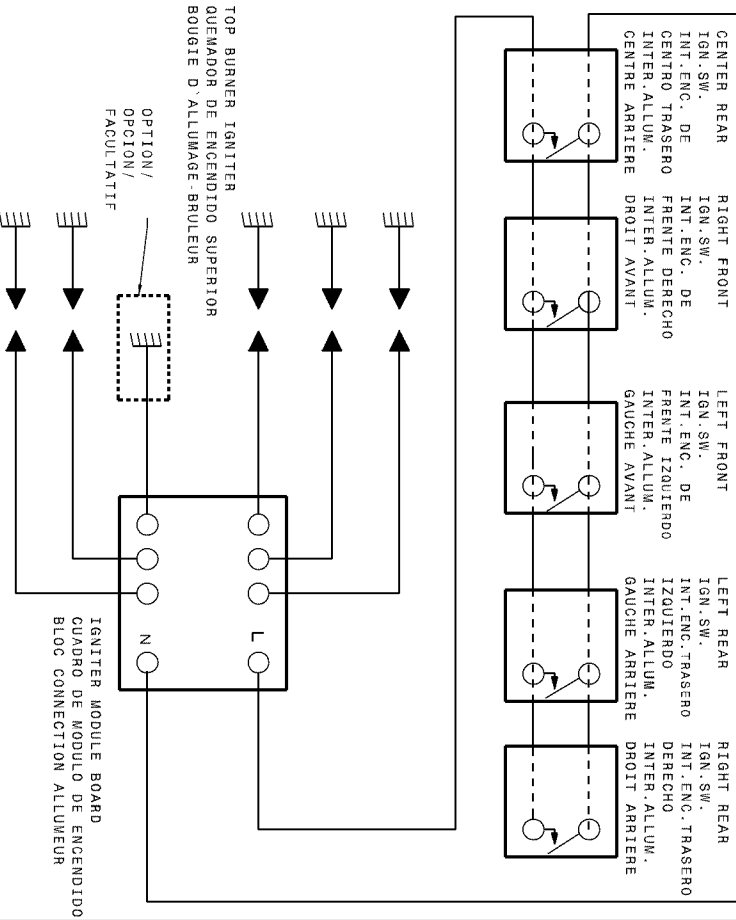
**POWER CORD**  
PARA TRANSPORTE DE FUERZA  
CABLE D'ALIMENTATION

WIRE ALAMBRE FIL	GAGE MEDIDA CAL.	TEMP. °C	UL STYLE MODO UL
4	20	150	3321
3	18	200	3304
2	18	200	3071
1	20	150	3321

**CAUTION:**  
LABEL ALL WIRES PRIOR TO DISCONNECTION WHEN SERVICING CONTROLS.  
WIRING ERROR CAN CAUSE IMPROPER AND DANGEROUS OPERATION.  
VERIFY PROPER OPERATION AFTER SERVICING.

**AVISO:**  
ETIQUETE TODOS LOS ALAMBRES ANTES DE DESCONECTAR POR REALIZAR EL MANTENIMIENTO DE LOS CONTROLES. ERROR DE ALAMBRAJE PUEDE CAUSAR UN FUNCIONAMIENTO INCORRECTO Y PELIGROSO. VERIFIQUE SI EL FUNCIONAMIENTO ESTA CORRECTO DESPUES DEL MANTENIMIENTO.

**AVERTISSEMENT:**  
ETIQUETER CHAQUE FIL AVANT LE DERANCHEMENT DE CEUX-CI. UNE ERREUR DE BRANCHEMENT PEUT CAUSER UNE OPERATION DANGEREUSE. VERIFIER LE BON FONCTIONNEMENT DE L'APPAREIL APRES TOUTE REPARATION.



**NOTE:**  
SERVICE: IF REPLACEMENT OF TERMINALS BECOMES NECESSARY, COMPARABLE WIRE, TYPE, GAGE AND TERMINALS MUST BE USED.  
**NOTA:**  
SERVICIO: EN CASO QUE SERA NECESARIO DE REEMPLAZAR LOS BORNES, ES NECESARIO DE UTILIZAR EL MISMO TIPO DE ALAMBRE Y DE MEDIDOR Y EL MISMO TIPO DE BORNES  
**NOTE:**  
SERVICE: SI DES FILS OU DES COTES DOIVENT ETRE REMPLACES, UTILISEZ DES PIECES DE CALIBRE ET DE TYPE EQUIVALENTS.

**W** WHITE / BLANCO / BLANC  
**R** RED / ROJO / ROUGE  
**C** COLOR CODE / CODIGOS DE COLOR / CODE COULEUR