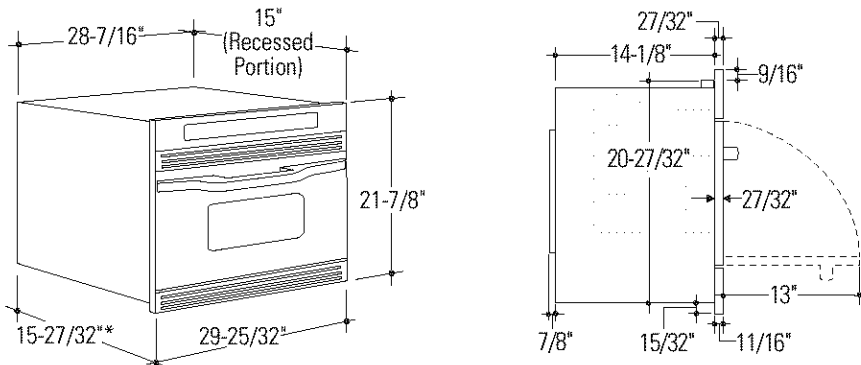




Profile Performance Series™

SCB2000CBB - Advantium™ Wall Oven

Dimensions (in inches)



*Excluding handle

Electrical Requirements

Single Speedcook Installation

Product rating is 120/208 or 120/240 volt, 60 Hz, 30 Amps. This product must be connected to a supply circuit of the proper voltage and frequency and protected by a time delay fuse or circuit breaker. The power supply should be brought to a separate 30 ampere branch circuit. Wire size must conform to the requirements of the National Electric Code or the prevailing local code.

Combined Speedcook and Wall Oven Installation:

When installed in combination with a GE single wall oven, use separate electrical junction boxes, OR,

Install a single junction box connected to 50 amp. supply circuit or properly rated supply circuit.

- Refer to single oven installation instructions for electrical requirements of that product.
- These connections must be made by a qualified electrician. All electrical connections must meet National Electrical code or prevailing local codes.

Combined Speedcook and Warming Drawer installation:

When installing the Speedcook oven over a GE electric warming drawer, a separate 120V, 60Hz, properly grounded receptacle must be installed. See instructions packed with the warming drawer.

Installation Requirements

- These ovens may be installed directly into a wall or wall oven cabinetry, 30" minimum width.
- The front surface of the oven will be nearly flush with surrounding cabinetry doors.
- This oven can be installed over any GE single electric built-in oven or a single GE electric built-in warming drawer.
- This oven must be installed at least 36" above the floor.

IMPORTANT: This oven is not approved for use above another built-in Speedcook oven, side by side or under the countertop installations.

- For personal safety, this oven cannot be installed in a cabinet arrangement such as an island or peninsula.
- Cabinets installed adjacent to wall ovens must have an adhesion spec of at least 194°F temperature rating.
- Allow for clearance to adjacent corners, walls, drawers, etc.

For answers to your Monogram®, GE Profile Performance Series™, GE Profile™ or GE appliance questions, call GE Answer Center® service, 800.626.2000.

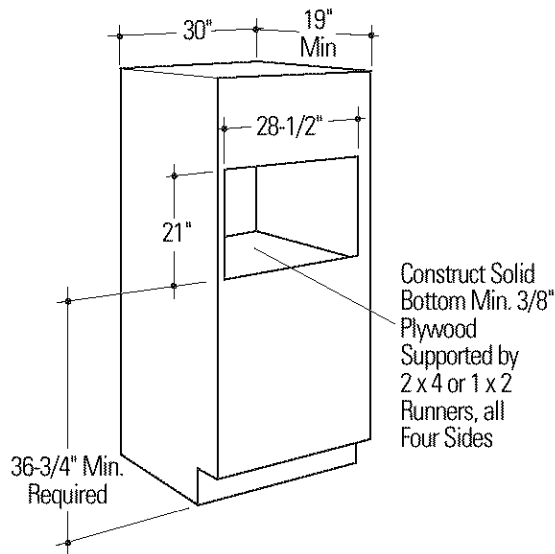




Profile Performance Series™

SCB2000CBB - Advantium™ Wall Oven

Single Speedcook Installation



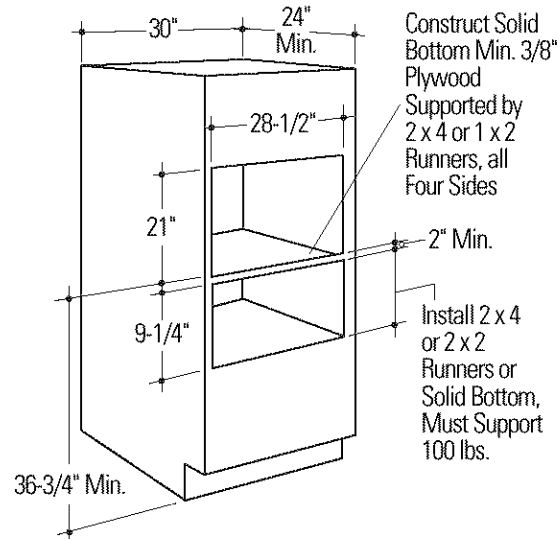
Order a 30" wide single oven cabinet or cut the opening in a wall to dimensions shown.

The rough opening must be:

- Depth - 19" Min.
- Width - 28-1/2" Min.
- Height - 21" Min.
- 36-3/4" from the floor to the cutout is required.
- These ovens require 3/4" overlap on each side, top and bottom of the cutout.
- Oven overlaps will conceal cut edges on all sides of the opening.

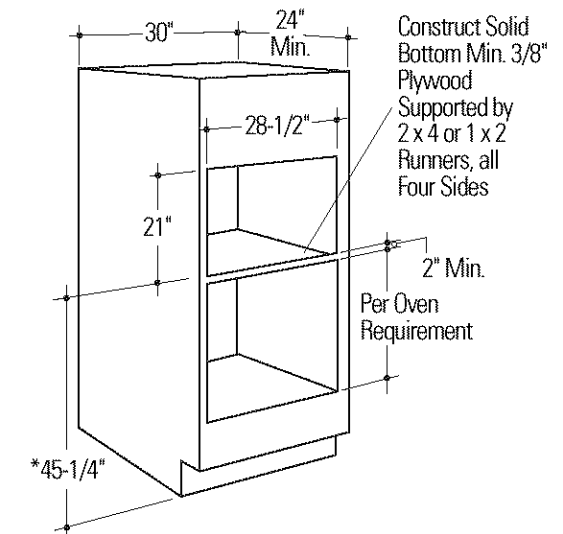
Specification Revised 10/00

Speedcook Oven Installation above a GE Warming Drawer



Note: Additional clearance between the cutouts may be required. Check to be sure the oven supports above the Warming Drawer location does not obstruct the required interior 23-1/2" depth and 9-1/4" height. See installation instructions for details.

Speedcook Oven Installation above a single GE Built-In Wall Oven



For answers to your Monogram®, GE Profile Performance Series™, GE Profile™ or GE appliance questions, call GE Answer Center® service, 800.626.2000.





Profile Performance Series™

SCB2000CBB - Advantium™ Wall Oven



Features and Benefits

- Revolutionary Speedcook Technology Cooks Oven-Quality Food Up to Eight Times Faster Than a Conventional Oven
- Over 100 Pre-Programmed Menu Items, Repeat Last, Help and Demo Modes
- Electronic Scrolling Display with Variable Scroll Speed
- Bakes, Browns, Broils, Grills and Roasts - All with No Preheating
- Converts to Fully Functional 950 Watt Sensor Microwave Oven
- Family-Size Oven with Stainless Steel Interior
- Microwave Oven Features Humidity Sensor and Auto Defrost / Time Defrost
- Cooking Complete Reminder with Beeper Sound Level Control
- Interior Oven Light
- Child Lock Out
- Frameless Glass Oven Door with Window
- Cookbook and Pan Set Included
- Model SCB2000CWW - White on white
- Model SCB2000CBB - Black on black
- Model SCB2000CAA - Almond on almond
- Model SCB2000CCC - Bisque
- Model SCB2001CSS - Stainless steel