

WASHER INSTALLATION INSTRUCTIONS

INSTRUCTIONS POUR L'INSTALLATION DU LAVE-LINGE

INSTRUCCIONES DE INSTALACIÓN DE LA LAVADORA

Table of Contents

WASHER SAFETY	2	INSTALLATION INSTRUCTIONS.....	5
INSTALLATION REQUIREMENTS.....	2	Connect Drain Hose.....	6
Tools and Parts.....	2	Connect Inlet Hoses.....	7
Specifications	3	Level Washer	8
Location Requirements	3	Power Cord Installation	9
Drain System	4	Complete Installation Checklist.....	10
Electrical Requirements	5		

Table des matières

SECURITE DU LAVE-LINGE.....	11	INSTRUCTIONS D'INSTALLATION.....	14
EXIGENCES D'INSTALLATION	11	Raccordement du tuyau de vidange.....	15
Outillage et pièces	11	Raccordement des tuyaux d'arrivée d'eau	16
Caractéristiques	12	Établissement de l'aplomb du lave-linge.....	17
Exigences d'emplacement	12	Installation du cordon d'alimentation.....	18
Système de vidange.....	13	Liste de vérification pour l'achèvement de l'installation..	19
Spécifications électriques.....	13		

Índice

SEGURIDAD DE LA LAVADORA.....	20	INSTRUCCIONES DE INSTALACIÓN	23
REQUISITOS DE INSTALACIÓN	20	Conexión de la manguera de desagüe.....	24
Herramientas y piezas	20	Conexión de las mangueras de entrada	25
Especificaciones	21	Nivelación de la lavadora	26
Requisitos de ubicación	21	Instalación del cable eléctrico	27
Sistema de desagüe.....	22	Complete la instalación	28
Requisitos eléctricos	22		

WASHER SAFETY

Your safety and the safety of others are very important.

We have provided many important safety messages in this manual and on your appliance. Always read and obey all safety messages.



This is the safety alert symbol.

This symbol alerts you to potential hazards that can kill or hurt you and others.

All safety messages will follow the safety alert symbol and either the word "DANGER" or "WARNING."

These words mean:

⚠ DANGER

You can be killed or seriously injured if you don't immediately follow instructions.

⚠ WARNING

You can be killed or seriously injured if you don't follow instructions.

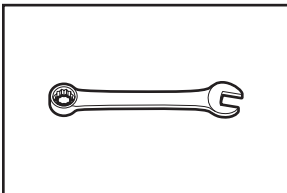
All safety messages will tell you what the potential hazard is, tell you how to reduce the chance of injury, and tell you what can happen if the instructions are not followed.

INSTALLATION REQUIREMENTS

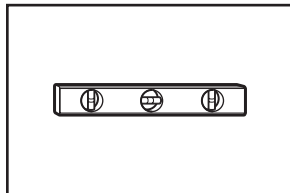
Tools and Parts:

Gather required tools and parts before starting installation.

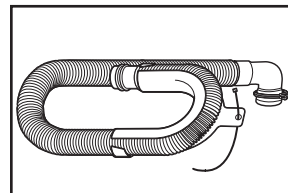
Tools needed:



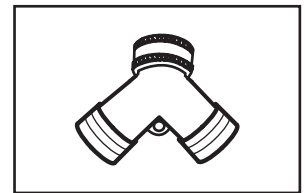
Adjustable or open end wrench 14 mm (9/16")



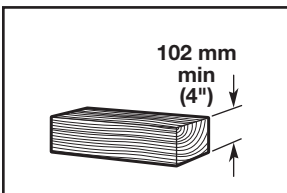
Level



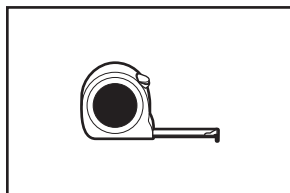
Drain hose with clamp, form, and cable tie



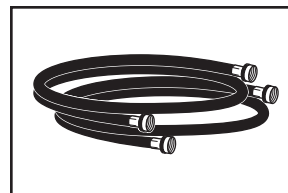
"Y" connector



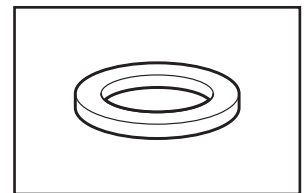
Wood block



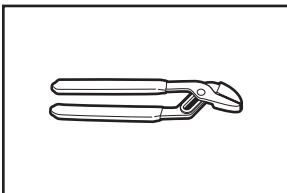
Ruler or measuring tape



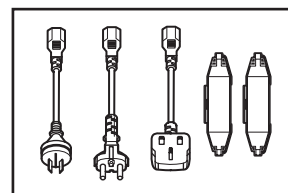
Inlet hoses



Rubber washer

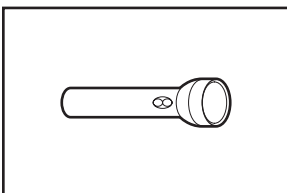


Pliers that open to 44.5 mm (1 3/4")

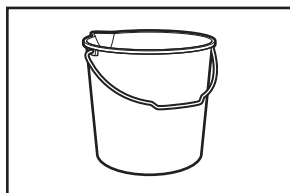


Plugs and cord lock cover

Optional tools:



Flashlight



Bucket

Alternate parts: (Not supplied with washer)

Your installation may require additional parts. To order, please contact the dealer from whom you purchased your washer or an authorized service company.

If you have:	You will need:
Overhead sewer	Standard 76 L (20 gal.) 990 mm (39") tall drain tub or utility sink, sump pump and connectors (available from local plumbing suppliers)
25 mm (1") standpipe	51 mm (2") diameter to 25 mm (1") diameter Standpipe Adapter Part Number 3363920 Connector Kit Part Number 285835
Drain hose too short	Extension Drain Hose Part Number 285863 Connector Kit Part Number 285835
Lint clogged drain	Drain Protector Part Number 367031 Connector Kit Part Number 285835

SPECIFICATIONS

Technical Specifications:
220-240 V ~50 Hz. AC, 1ph 650 Watts, IP24

Dry Linen Capacity	IEC Capacity
10,5 kg (23 lb)	7,5 kg (16,5 lb)

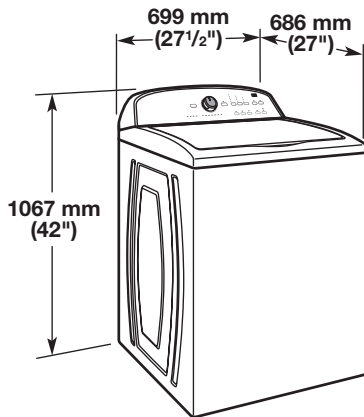
These units are sold in multiple regions with different requirements for measuring capacity. Below are a few of the valid forms of measure posted on this product:

Dry Linen Capacity: A weight measure that reflects a maximum load size that can be loaded into the washer.

IEC Capacity: The capacity measure that represents the maximum capacity of dry linens and textiles which the manufacturer declares can be treated in a specific cycle.

LOCATION REQUIREMENTS

Select proper location for your washer to improve performance and minimize noise and possible "washer walk". Install your washer in a basement, laundry room, closet, or recessed area.



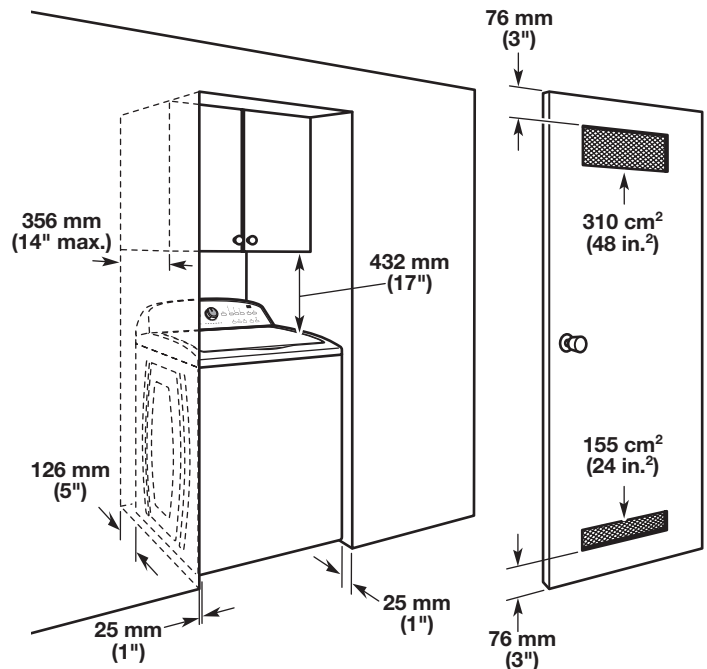
You will need:

- A water heater set to 49° C (120° F).
- An earthed electrical outlet located within 1,2 m (4 ft) of power cord on back of washer.
- Hot and cold water faucets located within 0,9 m (3 ft) of hot and cold water fill valves on washer, and water pressure of 20-100 psi (138-690 kPa).
- A level floor with maximum slope of 25 mm (1") under entire washer. Installing on carpet is not recommended.
- Floor must support washer's total weight (with water and load) of 143 kg (315 lbs).

IMPORTANT: Do not install, store, or operate washer where it will be exposed to weather or in temperatures below 0° C (32° F). Water remaining in washer after use may cause damage in low temperatures. See "Washer Care" in your Use and Care Guide for winterizing information.

Proper installation is your responsibility.

Recessed area or closet installation



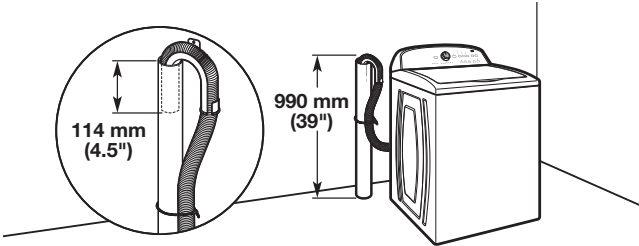
Dimensions show recommended spacing allowed, except for closet door ventilation openings which are minimum required. This washer has been tested for installation with spacing of 0 mm (0") clearance on the sides. Consider allowing more space for ease of installation and servicing, and spacing for companion appliances and clearances for walls, doors, and floor moldings. Add spacing of 25 mm (1") on all sides of washer to reduce noise transfer. If a closet door or louvered door is installed, top and bottom air openings in door are required.

IMPORTANT: Washers that feature ventilation openings in the base of the unit must not be obstructed by carpet.

DRAIN SYSTEM

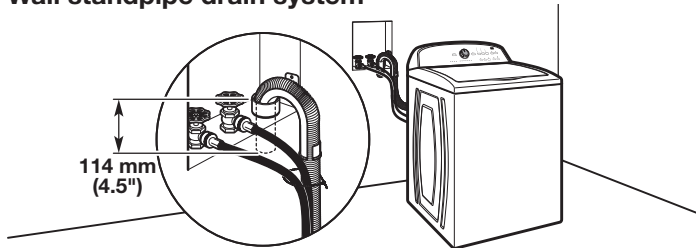
Drain system can be installed using a floor drain, wall standpipe, floor standpipe, or laundry tub. Select method you need.

Floor standpipe drain system



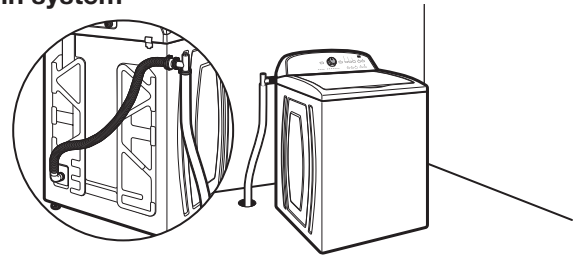
Minimum diameter for a standpipe drain: 51 mm (2"). Minimum carry-away capacity: 64 L (17 gal.) per minute. Top of standpipe must be at least 990 mm (39") high; install no higher than 1.22 m (48") from bottom of washer. If you must install higher than 1.22 m (48"), you will need a sump pump system.

Wall standpipe drain system



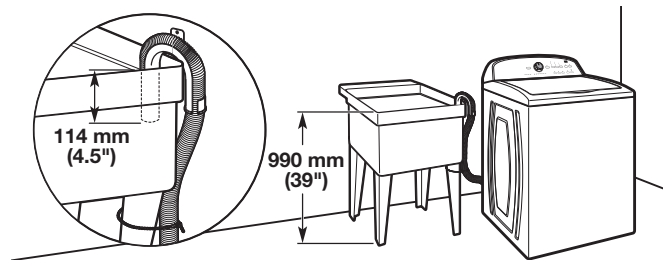
See requirements for "Floor standpipe drain system."

Floor drain system



Floor drain system requires a Siphon Break Kit (Part Number 285834), 2 Connector Kits (Part Number 285385), and an Extension Drain Hose (Part Number 285863) that may be purchased separately. To order, please contact the dealer from whom you purchased your washer or an authorized service company. Minimum siphon break: 710 mm (28") from bottom of washer. (Additional hoses may be needed.)

Laundry tub drain system



Minimum capacity: 76 L (20 gal.) Top of laundry tub must be at least 990 mm (39") above floor; install no higher than 1.22 m (48") from bottom of washer.

IMPORTANT: To avoid siphoning, no more than 114 mm (4.5") of drain hose should be inside standpipe or below the top of wash tub. Secure drain hose with cable tie.

ELECTRICAL REQUIREMENTS

⚠ WARNING



Electrical Shock Hazard

Plug into a grounded 3 or 4 prong outlet.

Do not remove ground prong.

Do not use an adapter.

Do not use an extension cord.

Failure to follow these instructions can result in death, fire, or electrical shock.

- A 220-240 volt, 50 Hz., AC only, 10-amp, fused electrical supply is required. A time-delay fuse or circuit breaker is recommended. It is recommended that a separate circuit breaker serving only this appliance be provided.
- This washer is equipped with a power supply cord having an earthing plug.
- To minimize possible shock hazard, the cord must be plugged into a mating, earthing-type outlet, earthed in accordance with local codes and ordinances. If a mating outlet is not available, it is the personal responsibility and obligation of the customer to have the properly earthed outlet installed by a qualified electrician.
- If codes permit and a separate earth wire is used, it is recommended that a qualified electrician determine that the earth path is adequate.
- Do not earth to a gas pipe.
- Check with a qualified electrician if you are not sure the washer is properly earthed.
- Do not have a fuse in the neutral or earth circuit.
- When in the installed position, the mains plug must be accessible for disconnection.
- If the supply cord is damaged, it must be replaced by the manufacturer, its service agent, or similarly qualified persons in order to avoid a hazard.

EARTHING INSTRUCTIONS

This washer must be earthed. In the event of a malfunction or breakdown, earthing will reduce the risk of electric shock by providing a path of least resistance for electric current. This washer is equipped with a cord having an equipment-earthing conductor and an earthing plug. The plug must be plugged into an appropriate outlet that is properly installed and earthed in accordance with all local codes and ordinances.

WARNING: Improper connection of the equipment-earthing conductor can result in a risk of electric shock. Check with a qualified electrician or serviceman if you are in doubt as to whether the appliance is properly earthed.

Do not modify the plug provided with the appliance – if it will not fit the outlet, have a proper outlet installed by a qualified electrician.

INSTALLATION INSTRUCTIONS

⚠ WARNING

Excessive Weight Hazard

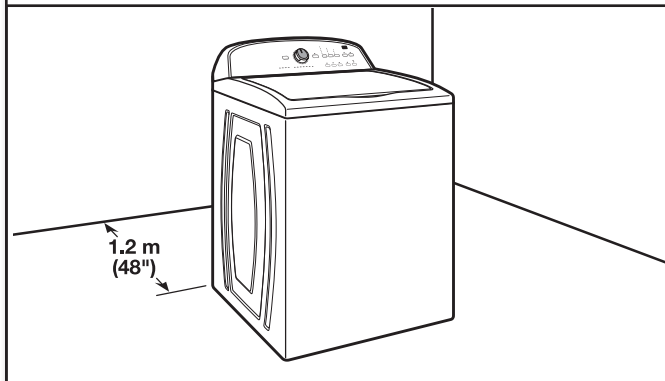
Use two or more people to move and install washer.

Failure to do so can result in back or other injury.

Before you start: remove shipping materials

It is necessary to remove all shipping materials for proper operation and to avoid excessive noise from washer.

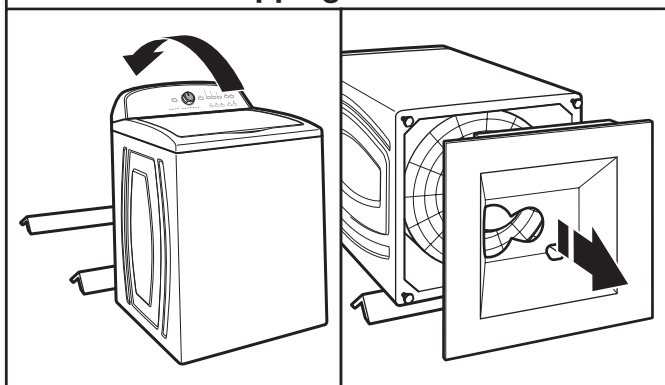
1. Move washer



Move washer to within 1.2 m (4 ft) of its final location; it must be in a fully upright position.

NOTE: To avoid floor damage, set washer onto cardboard before moving it and make sure lid is taped shut.

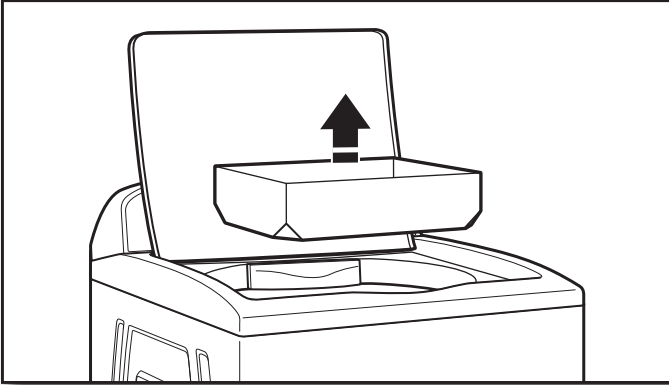
2. Remove shipping base



To avoid damaging floor, place cardboard supports from shipping carton on floor behind washer. Tip washer back and place on cardboard supports. Remove shipping base. Set washer upright.

IMPORTANT: Removing shipping base is necessary for proper operation. If your washer includes a sound shield, please refer to the instructions included with the sound shield to install it at this time.

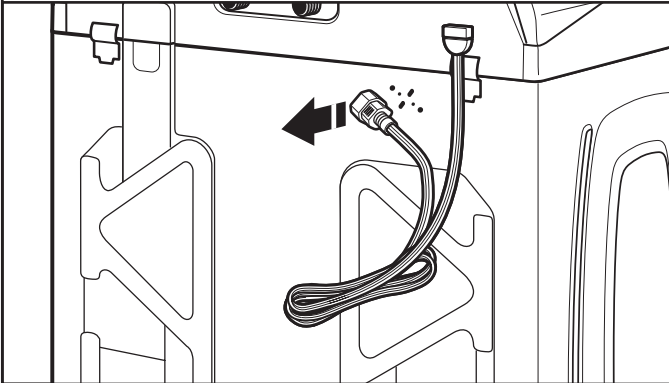
3. Remove packing tray from tub



Remove tape from washer lid, open lid and remove cardboard packing tray from tub. Be sure to remove all parts from tray.

NOTE: Keep tray in case you need to move washer later.

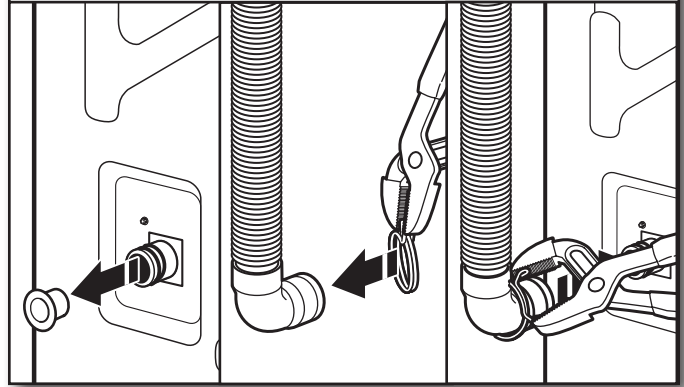
4. Free power cord



Firmly grasp power cord plug and pull to free from rear panel. Gently place power cord over console to allow free access to back of washer.

CONNECT DRAIN HOSE

5. Attach drain hose to drain port



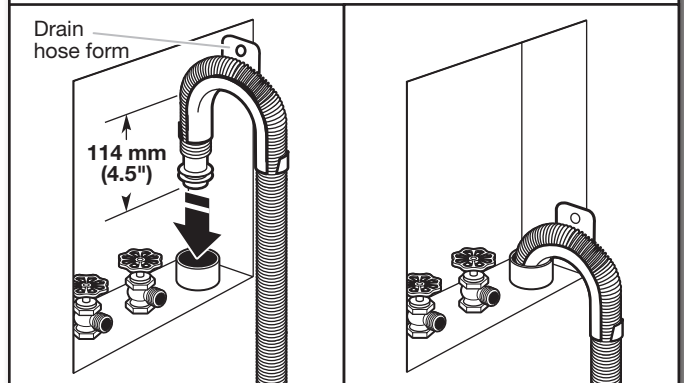
Remove the red plastic plug from the black drain port on the back of the washer.

If clamp is not already in place on elbow end of drain hose, slide it over end as shown. Squeeze clamp with pliers and slide black elbow end of drain hose onto black drain port and secure with clamp.

For a laundry tub or standpipe drain, go to step 6.

For a floor drain, remove the preinstalled drain hose form as shown in Step 7. You may need additional parts with separate directions. See "Tools and Parts".

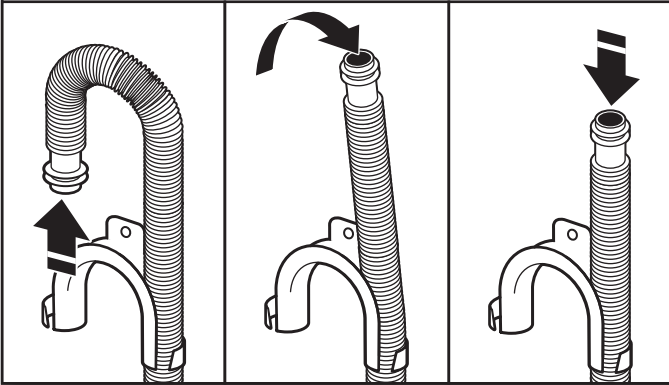
6. Place drain hose in standpipe



Place hose into standpipe (shown in picture) or over side of laundry tub.

IMPORTANT: 114 mm (4.5") of drain hose should be inside standpipe; do not force excess hose into standpipe or lay on bottom of laundry tub. Drain hose form must be used.

7. Remove drain hose form (floor drain installations only)



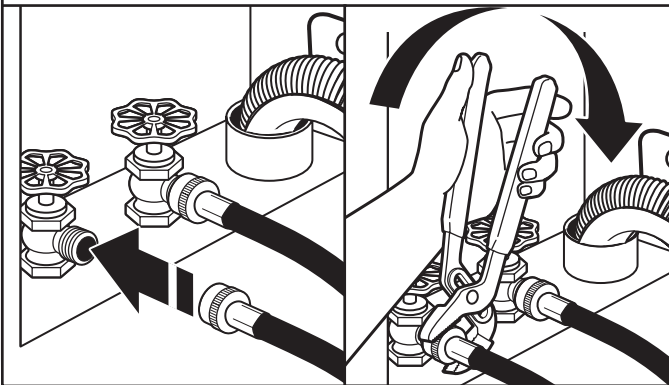
For floor drain installations, you will need to remove the drain hose form from the end of the drain hose. You may need additional parts with separate directions. See "Tools and Parts".

CONNECT INLET HOSES

Washer must be connected to water faucets with new inlet hoses with flat washers (provided). Do not use old hoses.

NOTE: Both hoses must be attached and have water flowing to inlet valves. If you are only connecting to a cold water faucet, you must use a Y-adaptor (provided).

8a. Connect inlet hoses to water faucets

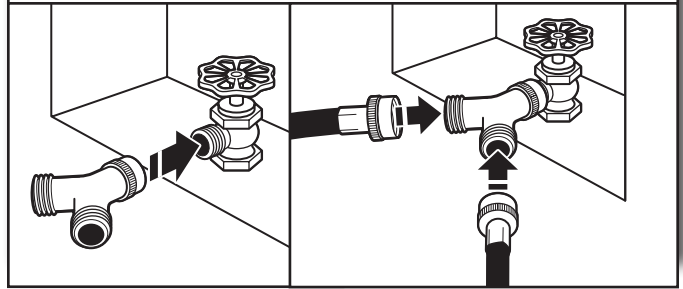


Attach hose to hot water faucet. Screw on coupling by hand until it is seated on washer. Use pliers to tighten couplings an additional two-thirds turn. Repeat this step with second hose for cold water faucet.

IMPORTANT: Do not overtighten or use tape or sealants on valve when attaching to faucets or washer. Damage can result.

HELPFUL HINT: Make note of which hose is connected to hot water to help in attaching hoses to washer correctly. In most standard configurations, hoses will cross over each other when attached correctly.

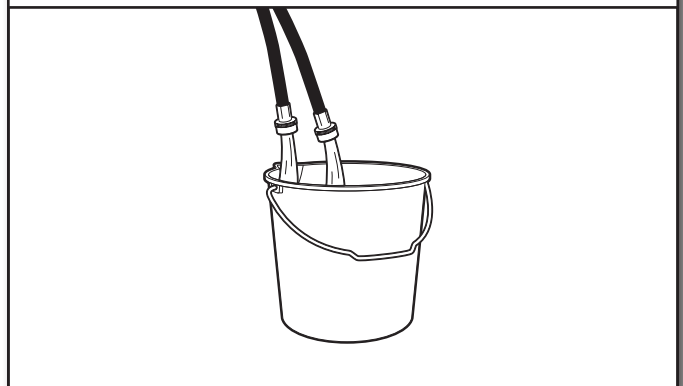
8b. Connect inlet hoses to "Y" connector



Attach the brass female end of the "Y" connector to the cold water faucet. Use pliers to tighten couplings an additional two-thirds turn. One end of the long hose has a wire mesh strainer inside the coupling. Attach this end to the "Y" connector. Attach washer cold inlet hose to other side of "Y" connector. Screw on coupling by hand until it is seated on connector. Using pliers, tighten the couplings an additional two-thirds turn.

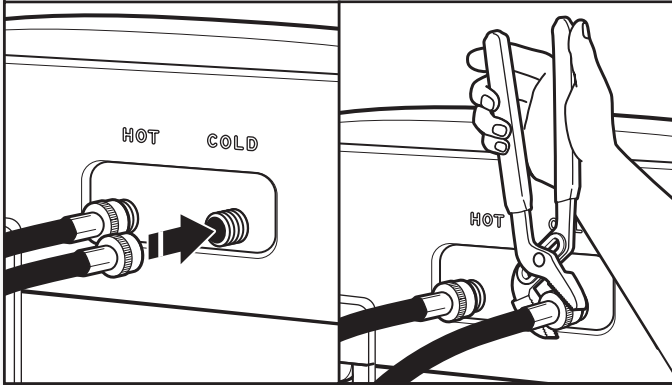
IMPORTANT: Do not overtighten or use tape or sealants on valve when attaching to faucets or washer. Damage can result.

9. Clear water lines



Run water for a few seconds through hoses into a laundry tub, drainpipe, or bucket to prevent clogs. Water should run until clear.

10. Connect inlet hoses to washer

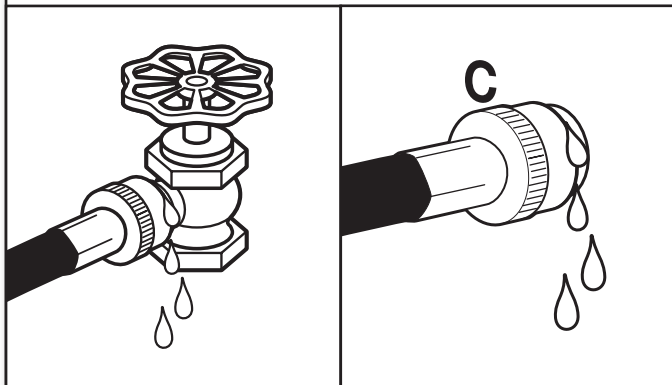


Attach hot water hose to hot water inlet valve marked with a red ring. Screw coupling by hand until it is snug. Use pliers to tighten couplings an additional two-thirds turn. Repeat with cold water inlet valve.

IMPORTANT: To reduce risk of hose failure, replace the hoses every 5 years. Record hose installation or replacement dates for future reference.

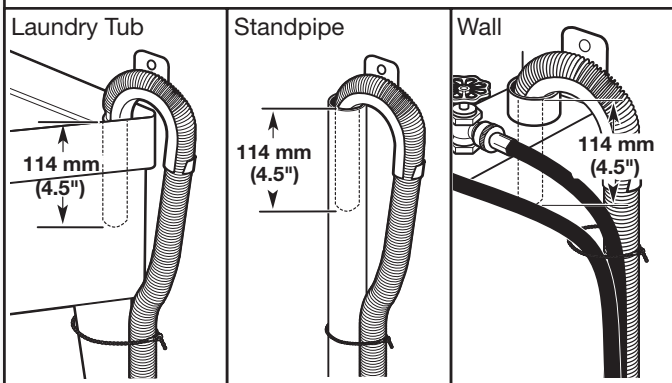
- Periodically inspect and replace hoses if bulges, kinks, cuts, wear, or leaks are found.

11. Check for leaks



Turn on water faucets to check for leaks. A small amount of water may enter washer. It will drain later.

12. Secure drain hose

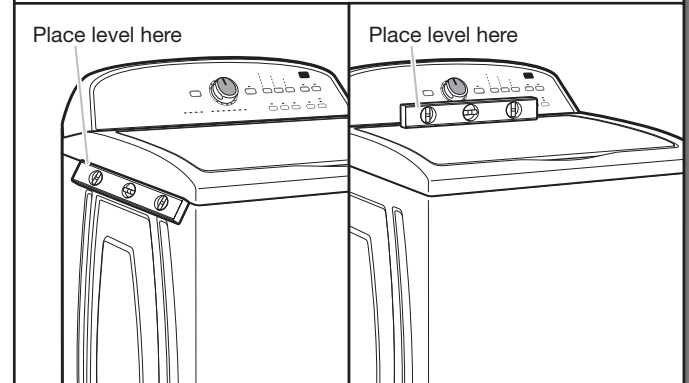


Secure drain hose to laundry tub leg, drain standpipe, or inlet hoses for wall standpipe with cable tie.

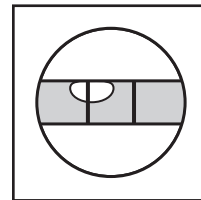
LEVEL WASHER

IMPORTANT: Level washer properly to reduce excess noise and vibration.

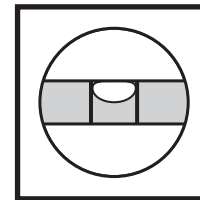
13. Check levelness of washer



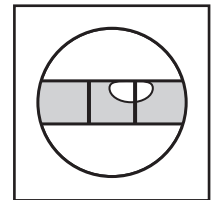
With washer in its final location, place a level on top edges of washer. Use side seam as a guide to check levelness of sides. Check levelness of front using lid, as shown. Rock washer back and forth to make sure all four feet make solid contact with floor. If washer is level, skip to step 15, (on models with metal feet) or step 16 (on models with plastic feet).



Not Level

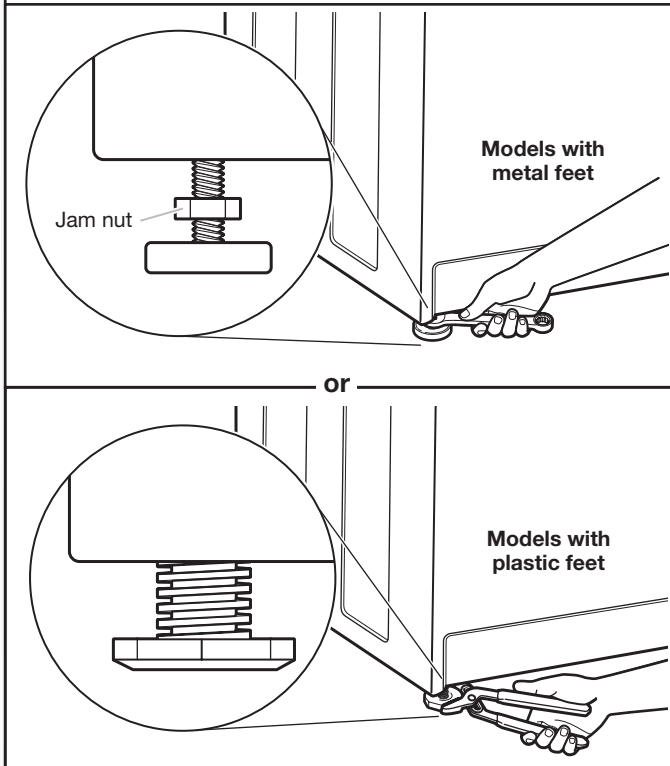


LEVEL



Not Level

14. Adjust leveling feet



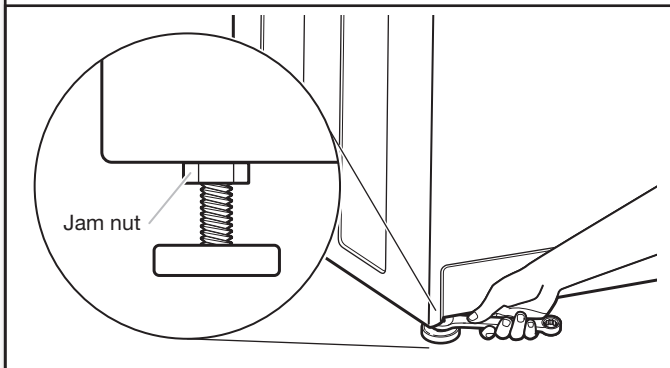
If washer is not level:

On models with metal feet, use a 14 mm (9/16") open-end or adjustable wrench to turn jam nuts clockwise on feet until they are about 13 mm (1/2") from the washer cabinet. Then turn the leveling foot clockwise to lower the washer or counterclockwise to raise the washer.

On models with plastic feet, use adjustable pliers to turn the plastic leveling foot counterclockwise to lower the washer or clockwise to raise the washer. On all models, recheck levelness of washer and repeat as needed.

HELPFUL TIP: You may want to prop up front of washer about 102 mm (4") with a wood block or similar object that will support weight of washer.

15. Tighten leveling feet



On models with metal feet, when washer is level, use a 14 mm (9/16") open-end or adjustable wrench to turn jam nuts counterclockwise on leveling feet tightly against washer cabinet.

HELPFUL TIP: You may want to prop washer with wooden block.

POWER CORD INSTALLATION

⚠ WARNING



Electrical Shock Hazard

Plug into a grounded 3 or 4 prong outlet.

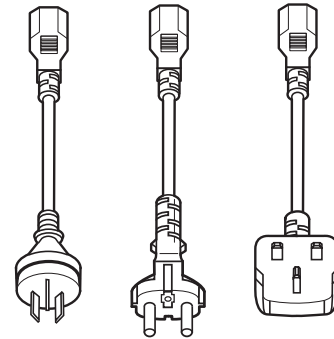
Do not remove ground prong.

Do not use an adapter.

Do not use an extension cord.

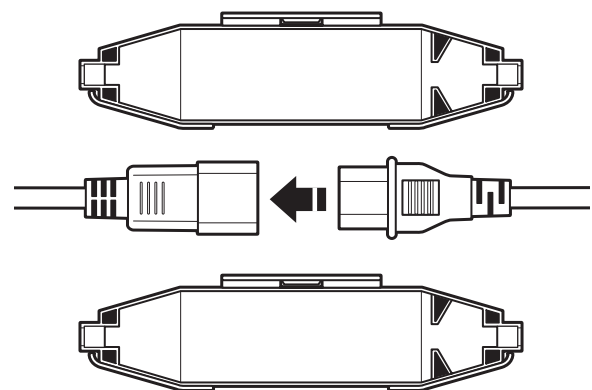
Failure to follow these instructions can result in death, fire, or electrical shock.

16. Select plug



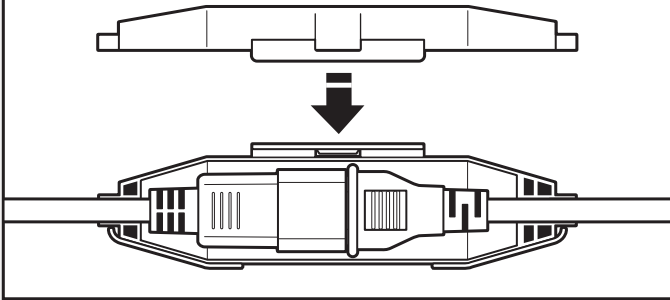
Select the plug that fits with the electric receptacle.

17. Assemble plug



Assemble the plug into the end of the power cord located on the back of the washer.

18. Secure power cord



Secure the power cord by seating the connection on the cord lock. Place the cord lock cover and push until it snaps. Make sure the power cord connection is seated on the cord lock and that the cord lock clamps correctly.

Plug power supply cord into an earthed outlet. Turn power supply on.

COMPLETE INSTALLATION CHECKLIST

- Check electrical requirements. Be sure you have correct electrical supply and recommended earthing method.
- Check that all parts are now installed. If there is an extra part, go back through steps to see what was skipped.
- Check that you have all of your tools.
- Check that yellow shipping materials were completely removed from back of washer.
- Check that water faucets are on.
- Check for leaks around faucets and inlet hoses.
- Remove protective film from console and any tape remaining on washer.
- Check that washer is plugged into an earthed outlet.
- Dispose of/recycle all packaging materials.
- Read "Washer Use" in your Washer User Instructions.
- To test and clean your washer, measure 1/2 of normal recommended amount of powdered or liquid detergent and pour it into washer basket or detergent dispenser (on some models). Close lid. Select any cycle. Start washer and allow to complete full cycle.

SECURITE DU LAVE-LINGE

Votre sécurité et celle des autres est très importante.

Nous donnons de nombreux messages de sécurité importants dans ce manuel et sur votre appareil ménager. Assurez-vous de toujours lire tous les messages de sécurité et de vous y conformer.



Voici le symbole d'alerte de sécurité.

Ce symbole d'alerte de sécurité vous signale les dangers potentiels de décès et de blessures graves à vous et à d'autres.

Tous les messages de sécurité suivront le symbole d'alerte de sécurité et le mot "DANGER" ou "AVERTISSEMENT". Ces mots signifient :

⚠ DANGER

Risque possible de décès ou de blessure grave si vous ne suivez pas immédiatement les instructions.

⚠ AVERTISSEMENT

Risque possible de décès ou de blessure grave si vous ne suivez pas les instructions.

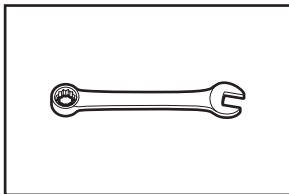
Tous les messages de sécurité vous diront quel est le danger potentiel et vous disent comment réduire le risque de blessure et ce qui peut se produire en cas de non-respect des instructions.

EXIGENCES D'INSTALLATION

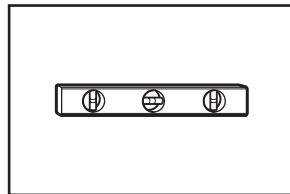
Outillage et Pièces :

Rassembler les outils et pièces nécessaires avant de commencer l'installation.

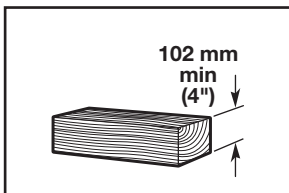
Outillage nécessaire :



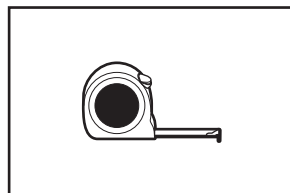
Clé à molette ou clé plate de 14 mm ($\frac{9}{16}$ ")



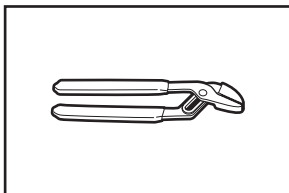
Niveau



Cale en bois



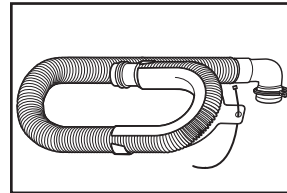
Règle ou mètre ruban



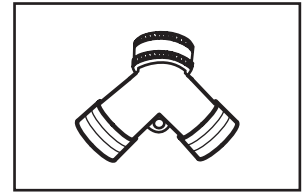
Pince avec ouverture jusqu'à 44,5 mm ($1\frac{3}{4}$ ")

Pièces fournies :

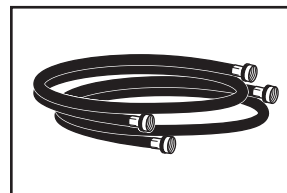
REMARQUE : Toutes les pièces fournies pour l'installation se trouvent dans l'insert en carton dans le panier du lave-linge.



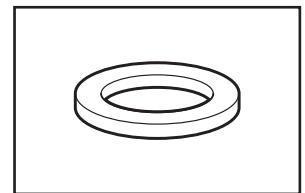
Tuyau d'évacuation avec collier, support et attache-câble



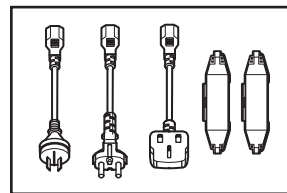
Raccord en "Y"



Tuyaux d'arrivée d'eau

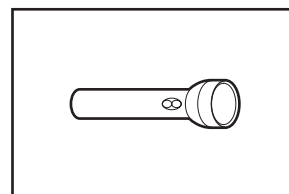


Rondelle en caoutchouc

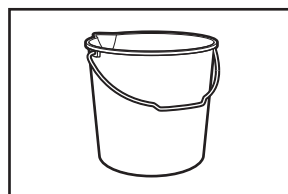


Prises et boîtier de protection du branchement

Outillage facultatif :



Lampe de poche



Seau

Autres pièces : (Non fournies avec le lave-linge)

Il se peut que l'installation nécessite des pièces supplémentaires. Pour commander, contacter votre revendeur ou une compagnie de service autorisée.

Si vous avez :

Un égout surélevé

Il vous faudra :

Tuyau de vidange standard de 76 L (20 gal.) de 990 mm (39") de haut ou évier de décharge, pompe de puisard et connecteurs (disponibles chez les vendeurs de matériel de plomberie locaux)

Un tuyau de rejet à l'égout rigide de 25 mm (1")

Adaptateur pour tuyau rigide de rejet à l'égout rigide de diamètre 51 mm (2") à 25 mm (1") pièce numéro 3363920. Ensemble de connexion, pièce numéro 285835

Un tuyau de vidange trop court

Tuyau de vidange supplémentaire, pièce numéro 285863 Ensemble de connexion pièce numéro 285835

Le système d'évacuation obstrué par de la charpie

Protecteur de canalisation, pièce numéro 367031 Ensemble de connexion, pièce numéro 285835

CARACTERISTIQUES

Caractéristiques techniques :
220-240 V ~50 Hz, CA monophasé, 650 watts, IP24

Capacité linge de maison sec :	Capacité IEC :
10,5 kg (23 lb)	7,5 kg (16,5 lb)

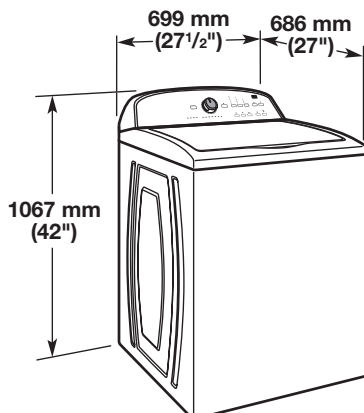
Ces appareils sont vendus dans diverses régions aux critères de capacité de mesure différents. Vous trouverez ci-dessous quelques-unes des formes de mesures valables indiquées sur ce produit :

Capacité linge sec : Un poids reflétant la taille de charge maximale pouvant être placée dans le lave-linge.

Capacité IEC : Mesure de capacité représentant la capacité maximale de linge de maison sec et de textiles pour lesquels le fabricant conseille un programme spécifique de traitement.

EXIGENCES D'EMPLACEMENT

Le choix d'un emplacement approprié pour le lave-linge en améliore le rendement et réduit au minimum le bruit et le "déplacement" possible du lave-linge. Le lave-linge peut être installé dans un sous-sol, une salle de buanderie, un placard ou un encastrement.



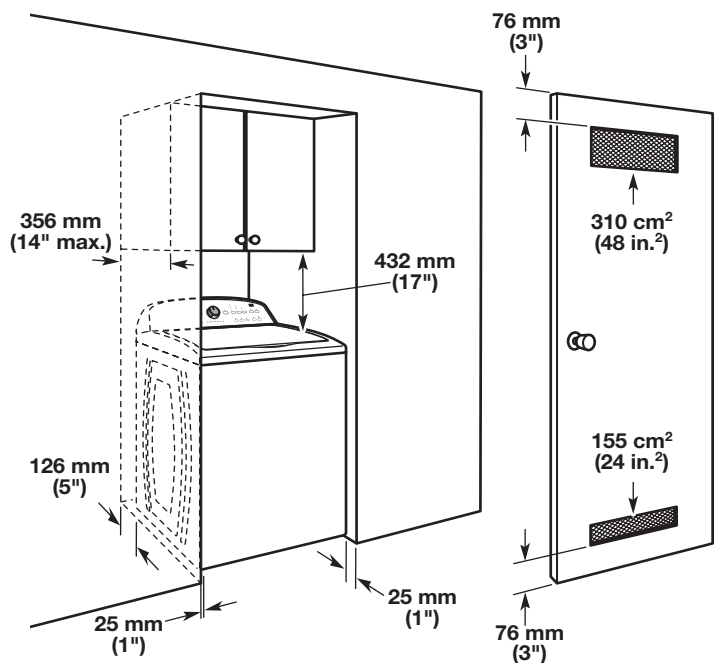
Il vous faudra :

- Un chauffe-eau réglé à 49° C (120° F).
- Une prise électrique reliée à la terre et située à moins de 1,2 m (4 pi) du cordon d'alimentation situé à l'arrière du lave-linge.
- Des robinets d'eau chaude et d'eau froide situés à moins de 0,9 m (3 pi) des électrovannes de remplissage d'eau chaude et d'eau froide situées sur le lave-linge et une pression d'eau de 20-100 lb/po² (138 à 690 kPa).
- Un plancher de niveau avec une pente maximale de 25 mm (1") sous l'ensemble du lave-linge. L'installation sur de la moquette n'est pas recommandée.
- Un plancher capable de supporter le poids total de 143 kg (315 lb) du lave-linge (eau et charge compris).

IMPORTANT : Ne pas installer, remiser ou faire fonctionner le lave-linge à un emplacement où il sera exposé aux intempéries ou à des températures inférieures à 0° C (32° F). De l'eau restée dans le lave-linge après utilisation peut causer des dommages à basse température. Voir "Entretien du lave-linge" dans le Guide d'utilisation et d'entretien pour des renseignements sur l'hivernisation.

C'est à l'utilisateur qu'incombe la responsabilité de réaliser une installation correcte.

Installation dans un encastrement ou un placard



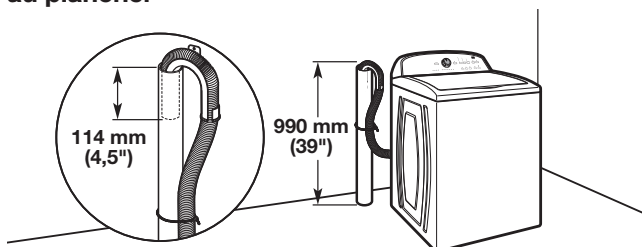
Les dimensions représentent les dégagements recommandés permis, hormis pour les ouvertures de ventilation de la porte du placard qui correspondent aux dimensions minimales nécessaires. Ce lave-linge a été testé pour une installation avec des dégagements de 0 mm (0") sur les côtés. On peut éventuellement laisser davantage de dégagement pour faciliter l'installation et l'entretien, et des distances de séparation pour les appareils ménagers voisins et des dégagements pour les murs, portes et plinthes. Ajouter un espace supplémentaire de 25 mm (1") de tous les côtés du lave-linge pour réduire le transfert de bruit. Si l'on installe une porte de placard ou une porte à persiennes, des ouvertures d'aération au sommet et au bas de la porte sont nécessaires.

IMPORTANT : Les passages d'air à la base de l'appareil ne doivent pas être obstrués par de la moquette/un tapis (lorsque le lave-linge comporte de telles ouvertures).

SYSTEME DE VIDANGE

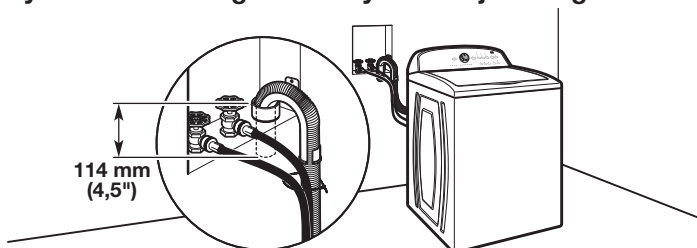
Le système de vidange du lave-linge peut être installé à l'aide d'un conduit d'évacuation au plancher, un tuyau de rejet à l'égout au plancher ou mural ou un évier de buanderie. Sélectionner la méthode à utiliser.

Système de vidange avec tuyau de rejet à l'égout au plancher



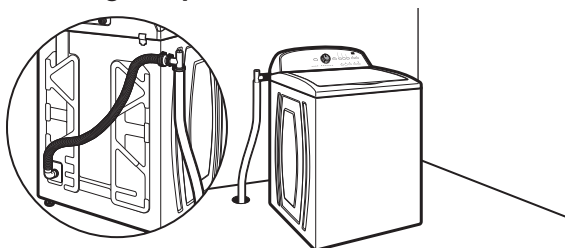
Diamètre minimal pour un tuyau de rejet à l'égout : 51 mm (2"). Capacité minimale d'acheminement : 64 L (17 gal.) par minute. Le sommet du tuyau de rejet à l'égout doit avoir une hauteur d'au moins 990 mm (39"); ne pas l'installer à plus de 1,22 m (48") du fond du lave-linge. Si on doit l'installer à plus de 1,22 m (48") de hauteur, un système de pompe de puisard est nécessaire.

Système de vidange avec tuyau de rejet à l'égout mural



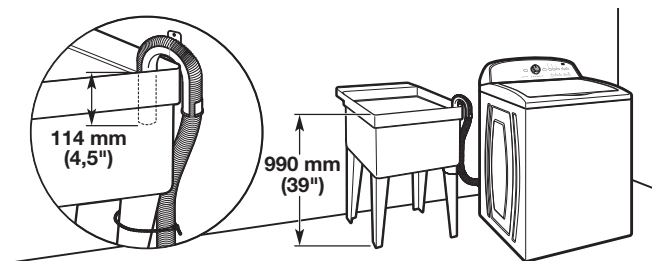
Voir les exigences pour le système de vidange avec tuyau de rejet à l'égout au plancher.

Système de vidange au plancher



Le système de vidange au plancher nécessite un ensemble de brise-siphon (pièce numéro 285834), deux ensembles de connection (pièce numéro 285385), et un tuyau de vidange supplémentaire (pièce numéro 285863) qui peuvent être achetés séparément. Pour commander, contacter votre revendeur ou une compagnie de service autorisée. Dimension minimale pour le brise-siphon : 710 mm (28") à partir du fond du lave-linge. (Des tuyaux supplémentaires peuvent être requis).

Système de vidange dans un évier de buanderie



Capacité minimale : 76 L (20 gal.). Le sommet de l'évier de buanderie doit se trouver à au moins 990 mm (39") du plancher; ne pas l'installer à plus de 1,22 m (48") du fond du lave-linge.

IMPORTANT : Pour éviter un effet de siphon, ne pas introduire plus de 114 mm (4,5") de tuyau de vidange à l'intérieur du tuyau de rejet à l'égout ou sous la partie supérieure d'évier de buanderie. Immobiliser le tuyau de vidange avec l'attache-câble.

SPECIFICATIONS ELECTRIQUES

⚠ AVERTISSEMENT



Risque de choc électrique

Brancher sur une prise reliée à la terre.

Ne pas utiliser un adaptateur.

Ne pas utiliser un câble de rallonge.

Le non-respect de ces instructions peut causer un décès, un incendie ou un choc électrique.

- Une alimentation de 220-240 volts, 50 Hz, CA uniquement, de 10 ampères, protégée par un fusible est requise. On recommande l'emploi d'un fusible ou d'un disjoncteur temporisé. Il est recommandé de raccorder l'appareil sur un circuit distinct exclusif à cet appareil.
- Ce lave-linge comporte un cordon d'alimentation électrique avec prise reliée à la terre.
- Pour minimiser les risques de choc électrique, on doit brancher le cordon sur une prise de configuration correspondante, reliée à la terre et installée conformément aux codes et règlements locaux. Si aucune prise de configuration correspondante n'est disponible, le client a la responsabilité et l'obligation de faire installer par un électricien qualifié une prise de courant correctement reliée à la terre.
- Si les codes le permettent et si on utilise un conducteur distinct de liaison à la terre, il est recommandé qu'un électricien qualifié vérifie la qualité de la liaison à la terre.
- Ne pas utiliser de tuyauterie de gaz pour le raccordement à la terre.
- En cas de doute quant à la qualité de la liaison à la terre du lave-linge, consulter un électricien qualifié.
- Ne pas installer de fusible dans le circuit neutre ou de liaison à la terre.
- Une fois installée, la prise secteur doit être accessible pour pouvoir être débranchée.
- Si le cordon d'alimentation est endommagé, il doit être remplacé par le fabricant, son agent de réparation ou toute autre personne ainsi qualifiée afin d'éviter tout danger.

INSTRUCTIONS DE LIAISON A LA TERRE

Ce lave-linge doit être relié à la terre. En cas d'anomalie de fonctionnement ou de panne, la liaison à la terre réduira le risque de choc électrique en offrant au courant électrique un itinéraire d'évacuation de moindre résistance. Ce lave-linge est alimenté par un cordon électrique comportant un conducteur relié à la terre et une fiche de branchement munie d'une broche de liaison à la terre. La fiche doit être branchée sur une prise de courant appropriée qui est bien installée et reliée à la terre conformément à tous les codes et règlements locaux.

AVERTISSEMENT : Le raccordement incorrect de cet appareil au conducteur de liaison à la terre peut susciter un risque de choc électrique. En cas de doute quant à la qualité de la liaison à la terre de l'appareil, consulter un électricien ou technicien d'entretien qualifié.

Ne pas modifier la fiche de branchement fournie avec l'appareil – si la fiche ne correspond pas à la configuration de la prise de courant, demander à un électricien qualifié d'installer une prise de courant convenable.

INSTRUCTIONS D'INSTALLATION

⚠ AVERTISSEMENT

Risque du poids excessif

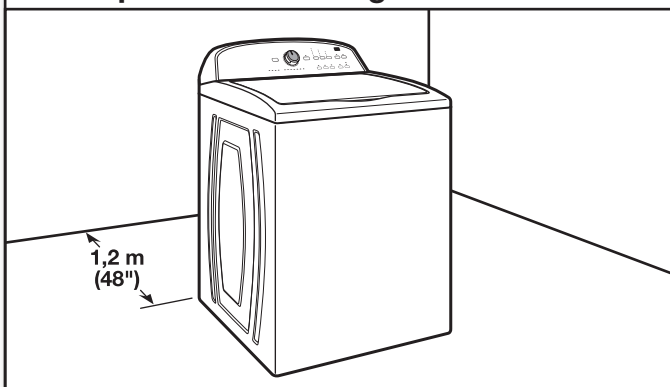
Utiliser deux ou plus de personnes pour déplacer et installer la laveuse.

Le non-respect de cette instruction peut causer une blessure au dos ou d'autre blessure.

Avant de commencer : retirer le matériel d'expédition

Il est nécessaire de retirer tout le matériel d'expédition pour un fonctionnement correct et pour éviter que le lave-linge ne fasse trop de bruit.

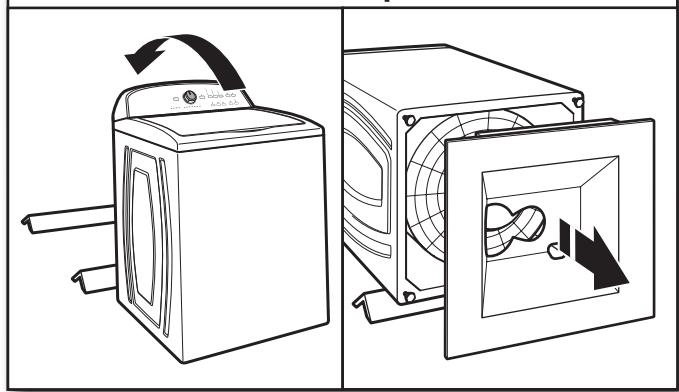
1. Déplacer le lave-linge



Déplacer le lave-linge à moins de 1,2 m (4 pi) de son emplacement final; il doit être en position complètement verticale.

REMARQUE : Pour éviter d'endommager le plancher, installer le lave-linge sur un carton avant de le déplacer. Assurer que le couvercle est retenu en place avec le ruban adhésif.

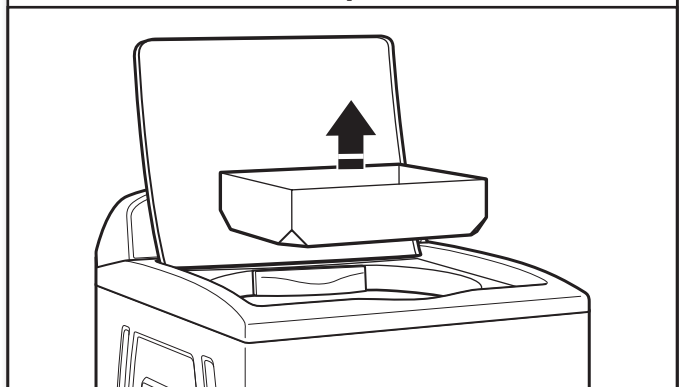
2. Enlever la base d'expédition



Afin d'éviter d'endommager le plancher, placer les supports en carton du carton d'expédition sur le plancher, derrière le lave-linge. Incliner le lave-linge vers l'arrière et le placer sur les supports en carton. Retirer la base d'expédition. Redresser le lave-linge en position verticale.

IMPORTANT : Le retrait de la base d'expédition en polystyrène est nécessaire au bon fonctionnement de l'appareil. Si le lave-linge comprend une plaque d'insonorisation, consulter les instructions fournies avec la plaque d'insonorisation pour l'installer maintenant.

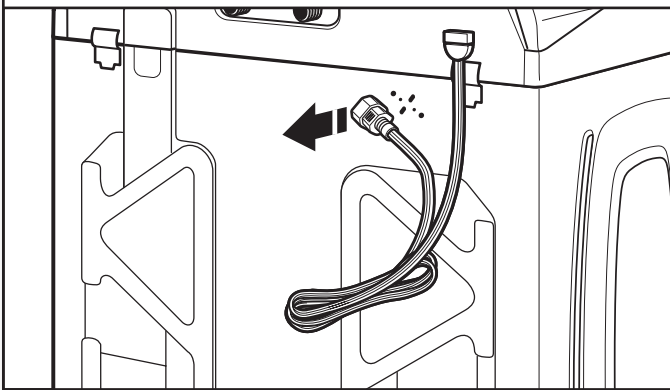
3. Retrait du carton plat de la cuve



Retirer le ruban adhésif du couvercle du lave-linge, ouvrir le couvercle et retirer le carton plat d'emballage de la cuve. Veiller à retirer toutes les pièces du carton plat.

REMARQUE : Conserver le carton plat au cas où il faudrait déplacer le lave-linge ultérieurement.

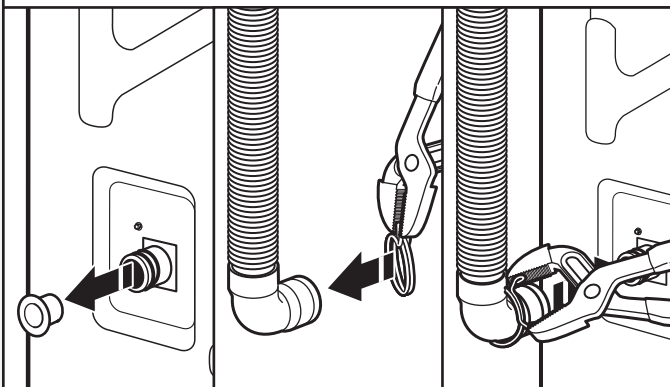
4. Libérer le cordon d'alimentation



Saisir fermement le cordon d'alimentation et le tirer pour le libérer du panneau arrière. Placer délicatement le cordon d'alimentation par dessus la console pour permettre le libre accès à l'arrière du lave-linge.

RACCORDEMENT DU TUYAU DE VIDANGE

5. Fixation du tuyau de vidange à l'orifice de vidange



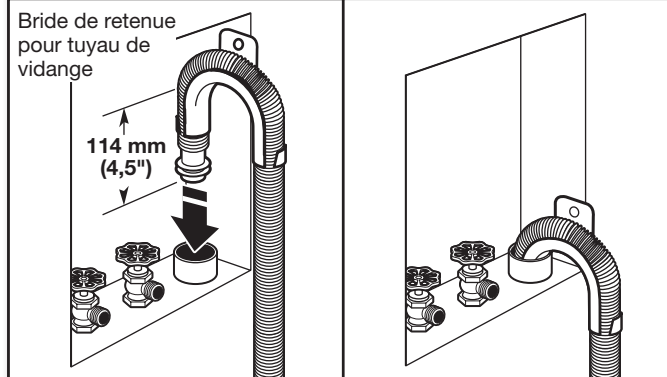
Retirer le bouchon en plastique rouge de l'orifice de vidange noir situé à l'arrière du lave-linge.

Si la bride n'est pas déjà installée sur l'extrémité coudée du tuyau de vidange, la faire glisser sur l'extrémité tel qu'indiqué. Serrer la bride avec une pince et faire glisser à nouveau l'extrémité coudée du tuyau de vidange sur l'orifice de vidange noir, puis fixer avec la bride.

Pour un évier de buanderie ou un tuyau de rejet à l'égout rigide, passer à l'étape 6.

Pour une vidange au plancher, retirer la bride de retenue pour tuyau de vidange préinstallée tel qu'indiqué à l'étape 7. Des pièces supplémentaires avec des instructions distinctes s'avèreront peut-être nécessaires. Voir "Outillage et pièces".

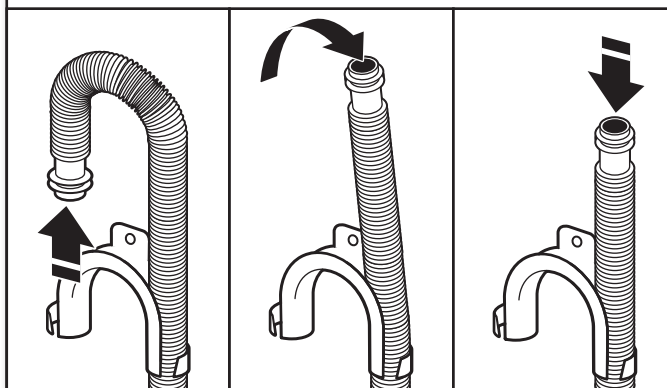
6. Placer le tuyau de vidange dans le tuyau de rejet à l'égout



Placer le tuyau dans le tuyau de rejet à l'égout (illustré sur l'image) ou par-dessus le côté de l'évier de buanderie.

IMPORTANT : 114 mm (4,5") du tuyau de vidange doit être à l'intérieur du tuyau de rejet à l'égout; ne pas forcer l'excédent de tuyau dans le tuyau de rejet à l'égout ni le placer dans l'évier de buanderie. On doit utiliser la bride de retenue pour tuyau de vidange.

7. Retrait de la bride de retenue pour tuyau de vidange (installations avec vidange au plancher uniquement)



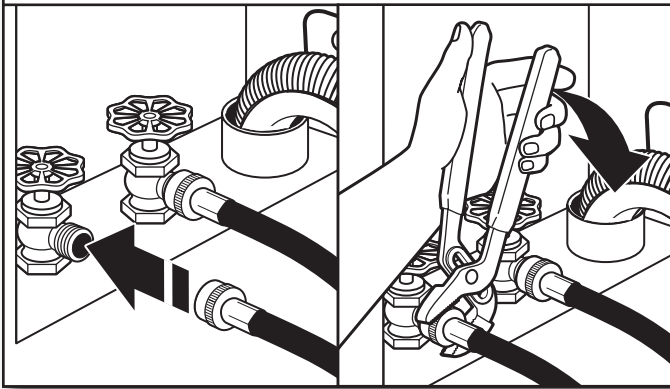
Pour les installations avec vidange au plancher, il faut retirer la bride de retenue pour tuyau de vidange de l'extrémité du tuyau de vidange. Des pièces supplémentaires avec des directives distinctes seront peut-être nécessaires. Voir "Outillage et pièces".

RACCORDEMENT DES TUYAUX D'ARRIVÉE D'EAU

Le lave-linge doit être raccordé aux robinets à l'aide de tuyaux d'arrivée d'eau neufs dotés de rondelles plates (fourni). Ne pas utiliser de tuyaux usagés.

REMARQUE : Les deux tuyaux doivent être fixés et l'eau doit pénétrer dans les robinets d'arrivée d'eau. Si l'on effectue un raccordement uniquement à un robinet d'eau froide, on doit utiliser un adaptateur en Y (fourni).

8a. Raccorder les tuyaux d'arrivée d'eau aux robinets

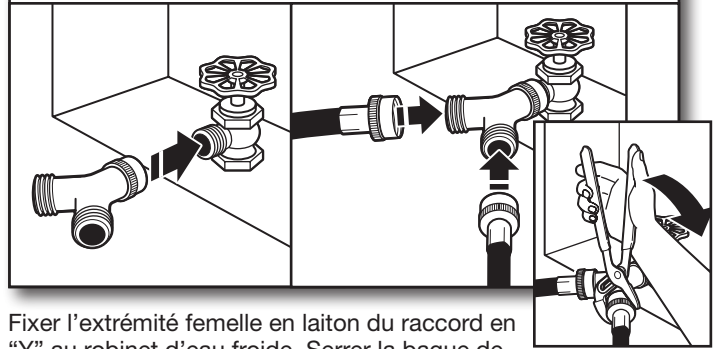


Fixer le tuyau au robinet d'eau chaude. Visser le raccord à la main pour qu'il repose sur la rondelle. Serrer les raccords de deux tiers de tour supplémentaires à l'aide d'une pince. Répéter cette étape avec le deuxième tuyau pour le robinet d'eau froide.

IMPORTANT : Ne pas serrer excessivement ni utiliser de ruban adhésif ou de dispositif d'étanchéité sur la valve lors de la fixation aux robinets ou au lave-linge. Cela pourrait entraîner des dommages.

CONSEIL UTILE : Repérer le tuyau raccordé à l'eau chaude pour fixer correctement les tuyaux au lave-linge. Dans la plupart des configurations standard, les tuyaux se croisent lorsque fixés correctement.

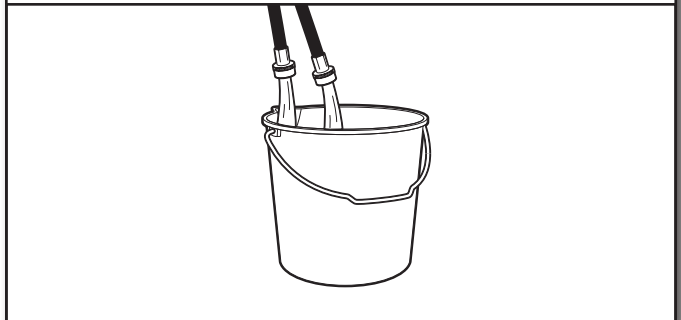
8b. Connecter les tuyaux d'arrivée d'eau au raccord en "Y".



Fixer l'extrémité femelle en laiton du raccord en "Y" au robinet d'eau froide. Serrer la bague de deux tiers de tour supplémentaires à l'aide d'une pince. L'une des extrémités du tuyau long comporte un filtre en grillage métallique à l'intérieur de la bague. Fixer cette extrémité au connecteur en "Y". Fixer le tuyau flexible d'arrivée d'eau froide du lave-linge à l'autre extrémité du raccord en "Y". Visser la bague à la main jusqu'à ce qu'elle repose sur le raccord. Terminer le serrage de la bague de deux tiers de tour supplémentaires avec une pince.

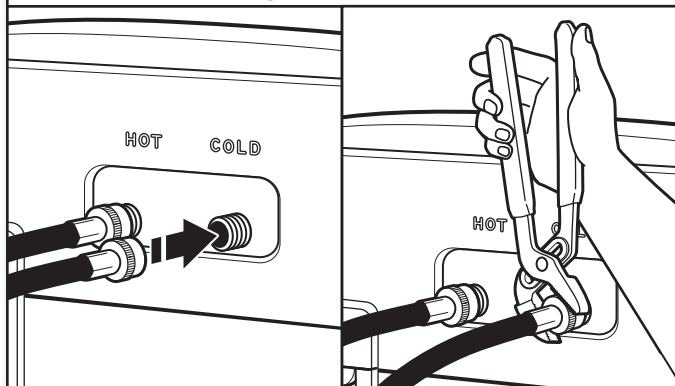
IMPORTANT : Ne pas serrer excessivement ni utiliser de ruban adhésif ou de dispositif d'étanchéité sur la valve lors de la fixation aux robinets ou au lave-linge. Cela pourrait entraîner des dommages.

9. Purger les canalisations d'eau



Faire couler l'eau par les tuyaux dans l'évier de buanderie, le tuyau de rejet à l'égout ou le seau pendant quelques secondes pour éviter toute obstruction. On doit laisser couler l'eau jusqu'à ce qu'elle soit limpide.

10. Raccorder les tuyaux d'arrivée d'eau au lave-linge

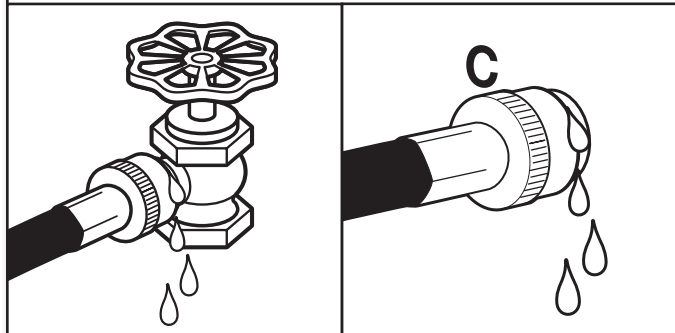


Fixer le tuyau d'eau chaude au robinet d'arrivée d'eau chaude indiquée par une bague rouge. Visser le raccord à la main jusqu'à ce qu'il soit bien serré. Serrer les raccords de deux tiers de tour supplémentaires à l'aide d'une pince. Répéter pour le robinet d'eau froide.

IMPORTANT : Pour réduire le risque de défaillance des tuyaux, remplacer les tuyaux tous les 5 ans. Inscrive la date d'installation ou de remplacement des tuyaux pour référence ultérieure.

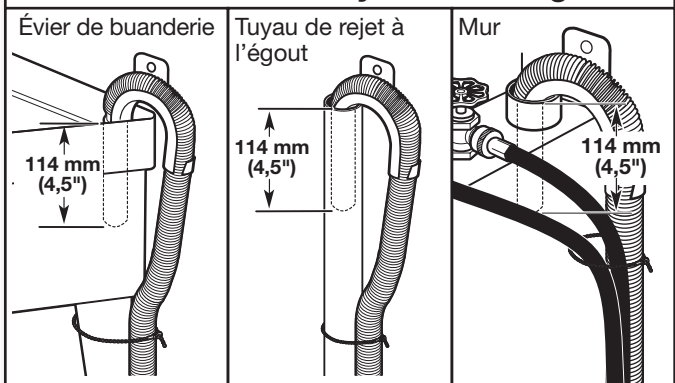
- Inspecter périodiquement les tuyaux et les remplacer en cas de renflement, de déformation, de coupure, d'usure ou si une fuite se manifeste.

11. Rechercher les fuites éventuelles



Ouvrir les robinets d'eau pour vérifier qu'il n'y a pas de fuite. Une petite quantité d'eau peut entrer dans le lave-linge. Elle s'évacuera plus tard.

12. Immobiliser le tuyau de vidange

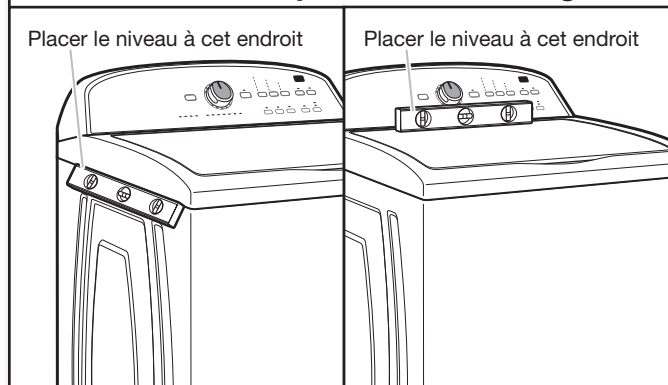


Fixer le tuyau de vidange au pied de l'évier de buanderie, au tuyau de rejet à l'égout ou aux tuyaux d'arrivée d'eau pour le tuyau de rejet à l'égout mural avec attache-câble.

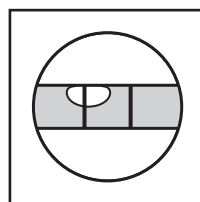
ETABLISSEMENT DE L'APLOMB DU LAVE-LINGE

IMPORTANT : L'établissement correct de l'aplomb du lave-linge permet de réduire les nuisances sonores et de limiter les vibrations.

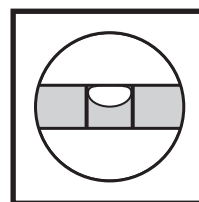
13. Contrôler l'aplomb du lave-linge



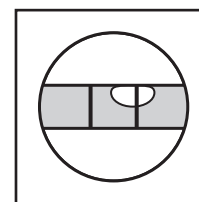
Une fois le lave-linge à son emplacement final, placer un niveau sur les bords supérieurs du lave-linge. Utiliser une rive latérale comme guide pour déterminer l'aplomb des côtés. Vérifier l'aplomb de l'avant à l'aide du couvercle, tel qu'indiqué. Faire bouger le lave-linge d'avant en arrière pour s'assurer que les quatre pieds sont bien en contact avec le plancher. Si le lave-linge est d'aplomb, passer à l'étape 15 (sur les modèles avec les pieds en métal) ou l'étape 16 (sur les modèles avec les pieds en plastique).



Pas d'aplomb

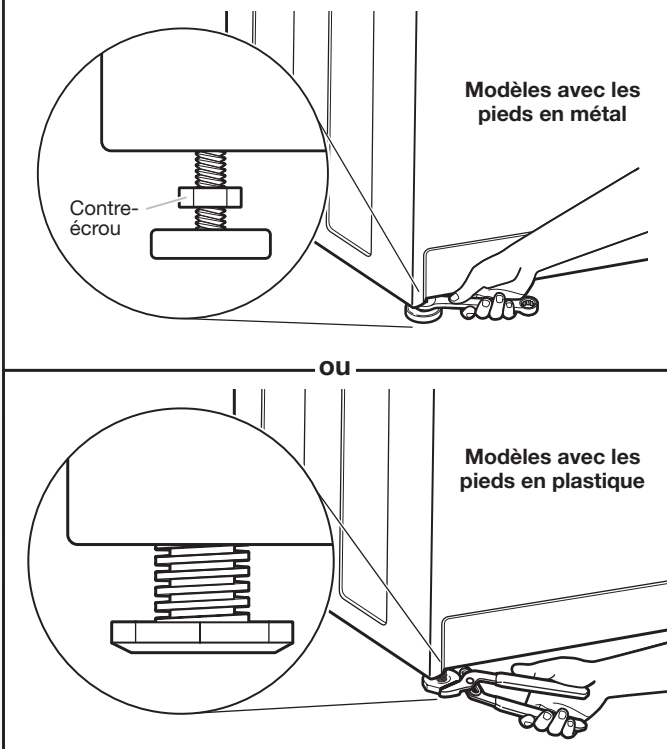


APLOMB



Pas d'aplomb

14. Ajuster les pieds de nivellement



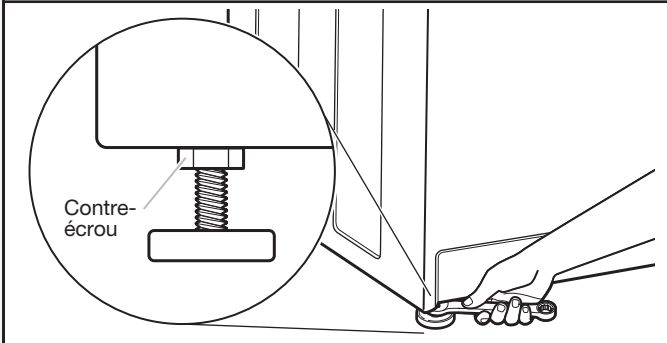
Si le lave-linge n'est pas d'aplomb :

Sur les modèles avec les pieds en métal, utiliser une clé plate ou une clé à molette de 9/16" ou 14 mm pour tourner les contre-écrous dans le sens horaire jusqu'à ce qu'ils se trouvent à environ 1/2" (13 mm) de la caisse du lave-linge. Tourner ensuite le pied de nivellement dans le sens horaire pour abaisser le lave-linge ou antihoraire pour la soulever.

Sur les modèles avec les pieds en plastique, utiliser une pince réglable pour tourner le pied de nivellement dans le sens antihoraire pour abaisser le lave-linge ou horaire pour la soulever. Sur tous les modèles, contrôler à nouveau l'aplomb du lave-linge et répéter au besoin.

CONSEIL UTILE : Il serait judicieux de soulever l'avant du lave-linge d'environ 4" (102 mm) à l'aide d'une cale en bois ou d'un objet similaire qui soutiendra le poids du lave-linge.

15. Serrer les pieds de nivellement



Sur les modèles avec les pieds en métal, une fois l'aplomb du lave-linge établi, utiliser une clé plate ou une clé à molette de 9/16" ou 14 mm pour tourner les contre-écrous sur les pieds de nivellement dans le sens anti-horaire et les serrer fermement contre la caisse du lave-linge.

CONSEIL UTILE : Il serait judicieux d'étayer le lave-linge à l'aide d'une cale en bois.

INSTALLATION DU CORDON D'ALIMENTATION

⚠ AVERTISSEMENT



Risque de choc électrique

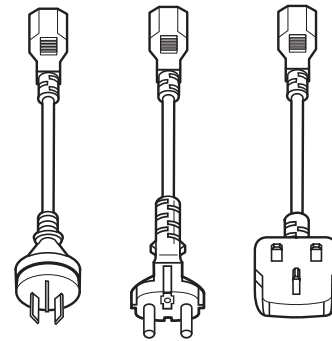
Brancher sur une prise reliée à la terre.

Ne pas utiliser un adaptateur.

Ne pas utiliser un câble de rallonge.

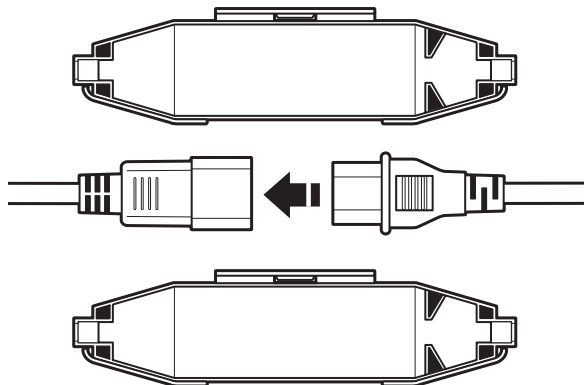
Le non-respect de ces instructions peut causer un décès, un incendie ou un choc électrique.

16. Sélectionner la prise



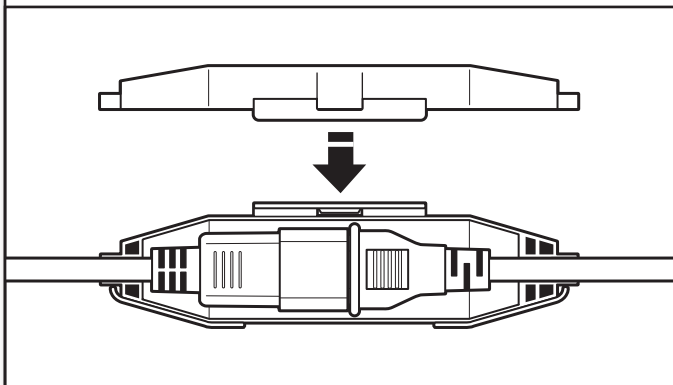
Sélectionner la prise qui correspond à la prise électrique murale.

17 Fixer la prise



Fixer la prise à l'extrémité du cordon d'alimentation situé à l'arrière du lave-linge.

18. Fixer le cordon d'alimentation



Fixer le cordon d'alimentation en immobilisant le raccord sur le dispositif de blocage du cordon. Installer le couvercle du dispositif de blocage du cordon et appuyer jusqu'à ce qu'il s'emboîte. S'assurer que le raccord du cordon d'alimentation est immobilisé sur le dispositif de blocage du cordon et que le serrage du dispositif de blocage est correct.

Brancher le cordon d'alimentation dans une prise reliée à la terre. Ouvrir la source d'alimentation électrique.

LISTE DE VERIFICATION POUR L'ACHEVEMENT DE L'INSTALLATION

- Consulter les spécifications électriques. S'assurer de disposer d'une source d'électricité appropriée et d'une liaison à la terre conforme à la méthode recommandée.
- Vérifier que toutes les pièces sont maintenant installées. S'il reste une pièce, passer en revue les différentes étapes pour découvrir laquelle aurait été oubliée.
- Vérifier la présence de tous les outils.
- Vérifier que tout le matériel d'expédition jaune a été retiré de l'arrière du lave-linge.
- Vérifier que les robinets d'eau sont ouverts.
- Vérifier qu'il n'y a pas de fuite autour des robinets et des tuyaux d'arrivée d'eau.
- Ôter la pellicule protectrice de la console et tout ruban adhésif resté sur le lave-linge.
- Vérifier que le lave-linge est branché dans une prise avec liaison à la terre.
- Éliminer/recycler tous les matériaux d'emballage.
- Lire "Entretien du lave-linge" dans le Guide d'utilisation et d'entretien.
- Pour tester et nettoyer le lave-linge, mesurer la moitié de la quantité normale recommandée de détergent en poudre ou liquide et la verser dans le panier du lave-linge ou le distributeur de détergent (sur certains modèles). Fermer le couvercle. Sélectionner n'importe quel programme. Mettre le lave-linge en marche et le laisser exécuter un programme complet.

SEGURIDAD DE LA LAVADORA

Su seguridad y la seguridad de los demás es muy importante.

Hemos incluido muchos mensajes importantes de seguridad en este manual y en su electrodoméstico. Lea y obedezca siempre todos los mensajes de seguridad.



Este es el símbolo de advertencia de seguridad.

Este símbolo le llama la atención sobre peligros potenciales que pueden ocasionar la muerte o una lesión a usted y a los demás.

Todos los mensajes de seguridad irán a continuación del símbolo de advertencia de seguridad y de la palabra "PELIGRO" o "ADVERTENCIA". Estas palabras significan:

⚠ PELIGRO

Si no sigue las instrucciones de inmediato, usted puede morir o sufrir una lesión grave.

⚠ ADVERTENCIA

Si no sigue las instrucciones, usted puede morir o sufrir una lesión grave.

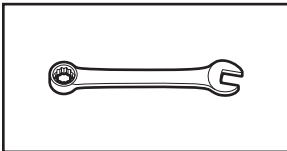
Todos los mensajes de seguridad le dirán el peligro potencial, le dirán cómo reducir las posibilidades de sufrir una lesión y lo que puede suceder si no se siguen las instrucciones.

REQUISITOS DE INSTALACIÓN

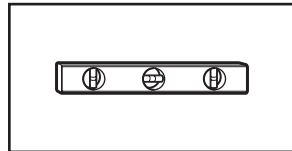
Herramientas y Piezas:

Reúna las herramientas y piezas necesarias antes de comenzar la instalación.

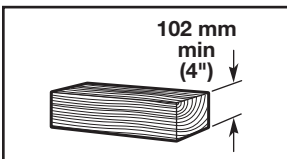
Herramientas necesarias:



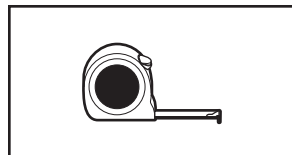
Llave de tuercas ajustable o de extremo abierto de 14 mm (9/16")



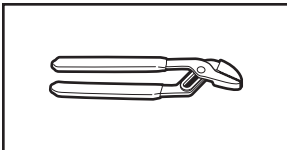
Nivel



Bloque de madera

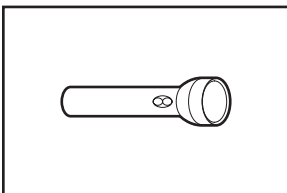


Regla o cinta para medir

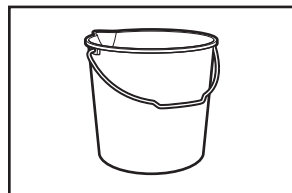


Pinzas que se abran a 44,5 mm (1 3/4")

Herramientas optativas:

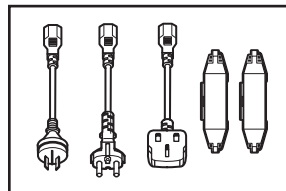


Linterna



Cubeta

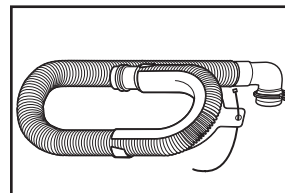
Herramientas optativas: (cont.)



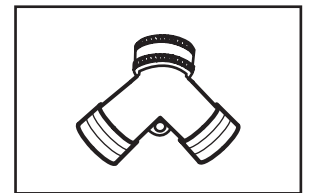
Enchufes y cubierta de la traba del cable

Piezas suministradas:

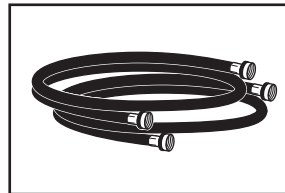
NOTA: Todas la piezas suministradas para la instalación están en una caja de cartón separada, en la parte superior de la lavadora.



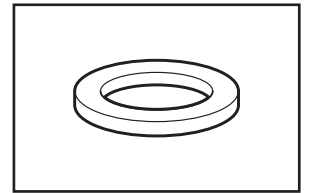
Manguera de desagüe con abrazadera, molde y fleje de atadura rebordeado



Conector en "Y"



Mangueras de entrada



Arandela de goma

Piezas alternativas: (No se proveen con la lavadora)

Su instalación puede requerir piezas suplementarias. Para hacer pedidos, póngase en contacto con su distribuidor o una compañía de servicio autorizada.

Si tiene:

Una alcantarilla suspendida

Tubo vertical de 25 mm (1")

Una manguera de desagüe muy corta

Desagüe obstruido por pelusa

Usted necesitará:

Tina de desagüe estándar o un lavadero utilitario de 76 L (20 galones), 990 mm (39") de altura, una bomba de sumidero y conectores (disponible con proveedores locales)

Juego de adaptador de tubo vertical de 51 mm (2") de diámetro a 25 mm (1") de diámetro, pieza número 3363920
Juego de conectores, pieza número 285835

Extensión de manguera de desagüe, pieza número 285863
Juego de conectores, pieza número 285835

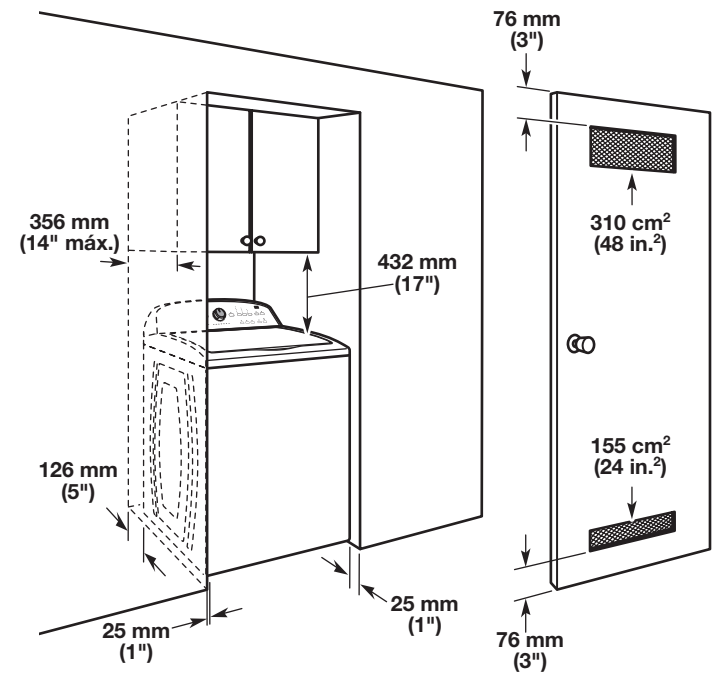
Protector del desagüe, pieza número 367031
Juego de conectores, pieza número 285835

Usted necesitará:

- Un calentador de agua fijado en 49°C (120°F).
- Un contacto con conexión a tierra ubicado a no más de 1,2 m (4 pies) del cable eléctrico en la parte posterior de la lavadora.
- Grifos de agua caliente y de agua fría ubicados a una distancia de no más de 0,9 m (3 pies) de las válvulas de llenado del agua caliente y fría en la lavadora y una presión de agua de 20-100 lb/pulg² (138 – 690 kPa).
- Un piso nivelado con un declive máximo de 25 mm (1") debajo de la lavadora completa. No se recomienda la instalación sobre una alfombra.
- El piso debe sostener el peso total de la lavadora (con el agua y la carga) de 143 kg (315 lb).

IMPORTANTE: No instale, guarde ni utilice la lavadora en donde estará expuesta a la intemperie o en temperaturas por debajo de 0°C (32°F). El agua que queda en la lavadora después del uso puede causar daños en temperaturas bajas. Vea "Cuidado de la lavadora" en el Manual de uso y cuidado, para saber cómo acondicionarla para el invierno.

La instalación correcta es su responsabilidad.

Instalación en zona empotrada o en el clóset

Las dimensiones muestran los espacios permitidos recomendados, excepto por las aberturas de ventilación de la puerta del clóset, las cuales son las mínimas necesarias. Esta lavadora ha sido puesta a prueba para la instalación en espacios de 0 mm (0") en los costados. Considere dejar más espacio para facilitar la instalación y el servicio técnico, así como espacio para electrodomésticos que le acompañen y espacios libres para las molduras de la pared, de la puerta y del piso. Agregue un espacio adicional de 25 mm (1") en todos los lados de la lavadora para reducir la transferencia de ruido. Si se instala una puerta de clóset o tipo persiana, es necesario que tenga aberturas para el aire en la parte superior e inferior.

IMPORTANTE: Las lavadoras con aberturas de ventilación en la base de la unidad no deben ser obstruidas por alfombras.

ESPECIFICACIONES

Especificaciones técnicas:
220 – 240 V ~50 Hz CA, monofase, 650 vatios, IP24

Capacidad de carga con artículos secos:	Capacidad IEC:
10,5 kg (23 lb)	7,5 kg (16,5 lb)

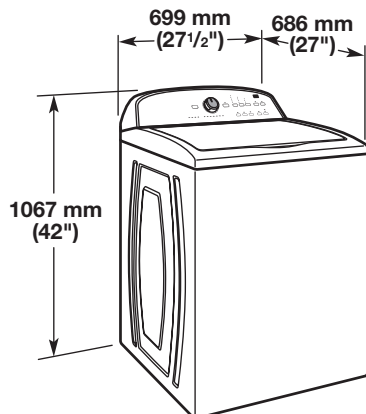
Estas unidades se venden en varias regiones con requisitos diferentes para la capacidad de medir. A continuación se enumeran algunas de las formas válidas de medición indicadas en este producto:

Capacidad de carga con artículos secos: Una medida de peso que refleje el tamaño máximo de carga que se pueda poner en la lavadora.

Capacidad IEC: La medida de capacidad que representa la capacidad máxima de artículos y telas secas que el fabricante declara que pueden tratarse en un ciclo específico.

REQUISITOS DE UBICACIÓN

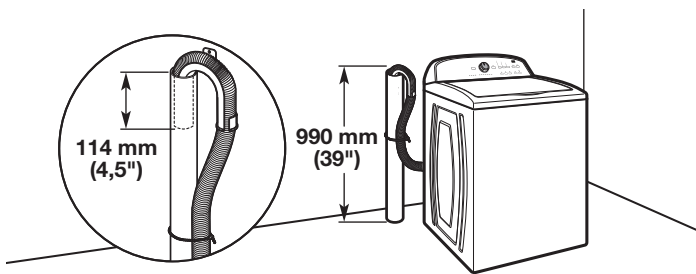
Seleccione una ubicación apropiada para su lavadora, para realzar el rendimiento y reducir al mínimo el ruido y la posible "caminata" de la lavadora. Instale su lavadora en un sótano, cuarto para lavar, clóset o un lugar empotrado.



SISTEMA DE DESAGÜE

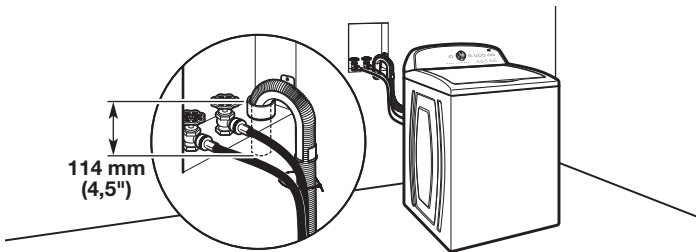
El sistema de desagüe de la lavadora se puede instalar utilizando un desagüe de piso, un tubo vertical de pared, un tubo vertical de piso o una tina de lavadero. Seleccione el método que necesita.

Sistema de desagüe por tubo vertical de piso



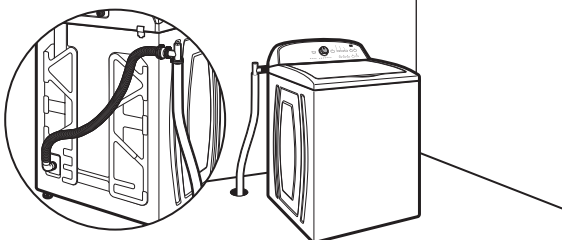
Diámetro mínimo para el desagüe de tubo vertical: 51 mm (2").
Capacidad de desplazamiento mínima: 64 L (17 gal.) por minuto.
La parte superior del tubo vertical debe estar a 990 mm (39") de altura como mínimo; instálela a no más de 1,22 m (48") de la base de la lavadora. Si es necesario instalarla a más de 1,22 m (48"), necesitará un sistema de bomba de sumidero.

Sistema de desagüe por tubo vertical de pared



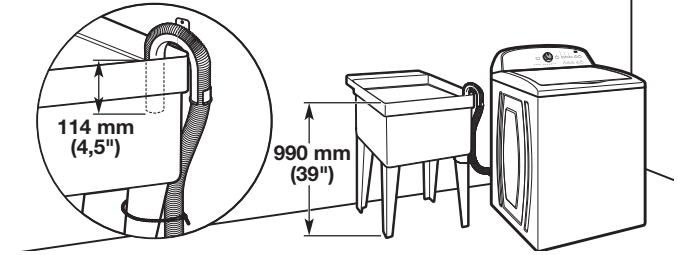
Vea los requisitos para el sistema de desagüe de tubo vertical de piso.

Sistema de desagüe por piso



Un sistema de desagüe por el piso requiere de un juego de desviación de sifón (pieza número 285834), 2 juegos de conectores (pieza número 285385) y extensión de manguera de desagüe (pieza número 285863), los cuales pueden comprarse por separado. Para hacer pedidos, póngase en contacto con su distribuidor o un centro de servicio autorizado. Desviación de sifón mínima: 710 mm (28") de la base de la lavadora. (Se pueden necesitar mangueras adicionales.)

Sistema de desagüe de tina por lavadero



Capacidad mínima: 76 L (20 gal.). La parte superior de la tina de lavadero debe estar a 990 mm (39") del piso como mínimo; instálela a no más de 1,22 m (48") de la base de la lavadora.

IMPORTANTE: Para evitar el efecto de sifón, no debe haber más de 114 mm (4,5") de manguera de desagüe dentro del tubo vertical o debajo de la parte superior de la tina de lavado. Siempre ajuste la manguera de desagüe con un fleje de atadura rebordeado.

REQUISITOS ELÉCTRICOS

⚠ ADVERTENCIA



Peligro de Choque Eléctrico

- Conecte a un enchufe de pared de conexión a tierra de 3 terminales.**
- No quite la terminal de conexión a tierra.**
- No use un adaptador.**
- No use un cable eléctrico de extensión.**
- No seguir estas instrucciones puede ocasionar la muerte, incendio o choque eléctrico.**

- Se necesita un suministro eléctrico de 220-240 voltios, 50 hertzios, CA solamente, de 10 amperios y protegido con fusible. cortacircuitos. Se recomienda proveer un cortacircuitos por separado que preste servicio únicamente a este aparato.
- Esta lavadora viene equipada con un cable eléctrico dotado de un enchufe con conexión a tierra.
- Para reducir el peligro de posibles choques eléctricos, el cable debe ser enchufado a tierra de acuerdo con los códigos y normas locales. Si no hay disponible una salida equivalente, es responsabilidad y obligación personal del cliente de tener una salida a tierra apropiada instalada por un electricista calificado.
- Si los códigos lo permiten y se emplea un alambre de conexión a tierra separado, es recomendable que un electricista calificado determine si la trayectoria de conexión a tierra es adecuada.
- No haga la conexión a tierra sobre una tubería de gas.
- Si no está seguro de que la conexión a tierra de la lavadora sea la adecuada, verifíquela con un electricista competente.
- No tenga un fusible en el circuito neutro o de conexión a tierra.
- Cuando se encuentre instalado en su posición, el enchufe principal deberá estar accesible para ser desconectado.
- Si se ha dañado el cable de suministro de energía, deberá ser reemplazado por el fabricante, el agente de servicio o una persona similarmente calificada con el fin de evitar riesgos.

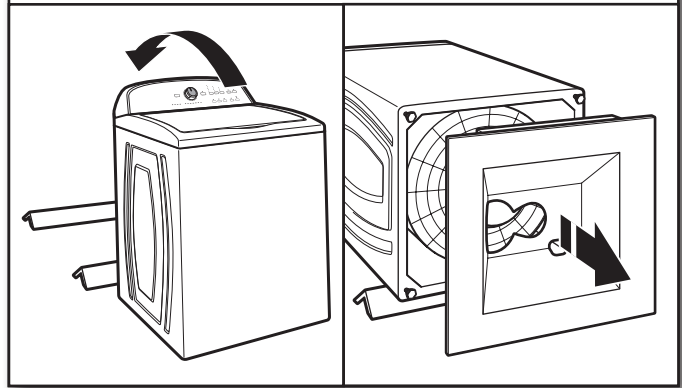
INSTRUCCIONES PARA LA CONEXIÓN A TIERRA

Esta lavadora debe estar conectada a tierra. En caso de funcionamiento defectuoso o avería, la conexión a tierra reducirá el riesgo de descarga eléctrica al proporcionar una vía de menor resistencia a la corriente eléctrica. Esta lavadora viene equipada con un cable eléctrico que tiene un cable de conexión a tierra del equipo y un enchufe con conexión a tierra. El enchufe debe conectarse a una toma de pared adecuada que haya sido debidamente instalada y conectado a tierra de conformidad con toda la normativa local.

ADVERTENCIA: La conexión incorrecta de la terminal de conexión a tierra del equipo puede ocasionar un riesgo de descarga eléctrica. Consulte con un electricista o a un técnico calificado si tiene alguna duda en cuanto a la correcta conexión a tierra del electrodoméstico.

No modifique el enchufe que se adjunta con el electrodoméstico. Si éste no encaja en la toma de la pared, solicite que un electricista cualificado le instale una toma de pared adecuada.

2. Saque la base de transporte



Para evitar daños al piso y a la lavadora, coloque soportes de cartón de la caja de transporte sobre el piso, detrás de la lavadora. Incline hacia atrás la lavadora y colóquela sobre los soportes de cartón. Saque la base de transporte. Ponga la lavadora en posición vertical.

IMPORTANTE: Para un funcionamiento adecuado es necesario quitar la base de transporte. Si su lavadora incluye un aislador de sonido, consulte las instrucciones incluidas con el mismo para instalarlo en este momento.

INSTRUCCIONES DE INSTALACIÓN

⚠ ADVERTENCIA

Peligro de Peso Excesivo

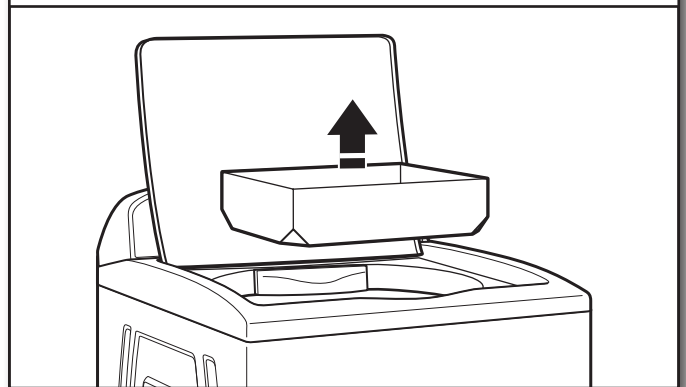
Use dos o más personas para mover e instalar la lavadora.

No seguir esta instrucción puede ocasionar una lesión en la espalda u otro tipo de lesiones.

Antes de comenzar: Quite los materiales de transporte

Es necesario quitar todos materiales de transporte para obtener un funcionamiento adecuado y para evitar ruido excesivo de la lavadora.

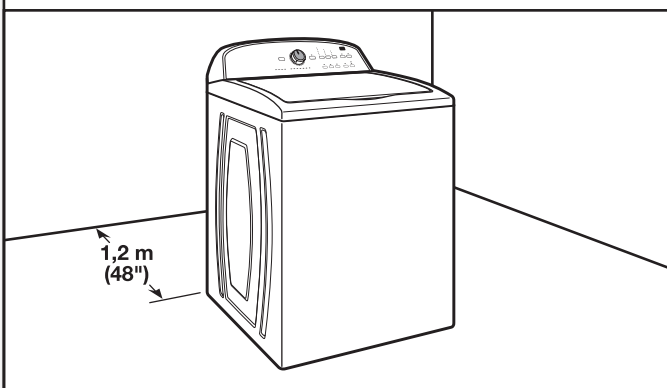
3. Saque la bandeja de empaque de la tina



Quite la cinta adhesiva de la tapa de la lavadora, abra la tapa y saque la bandeja de empaque de cartón de la tina. Cerciñese de sacar todas las piezas de la bandeja.

NOTA: Guarde la bandeja por si necesita mover la lavadora más tarde.

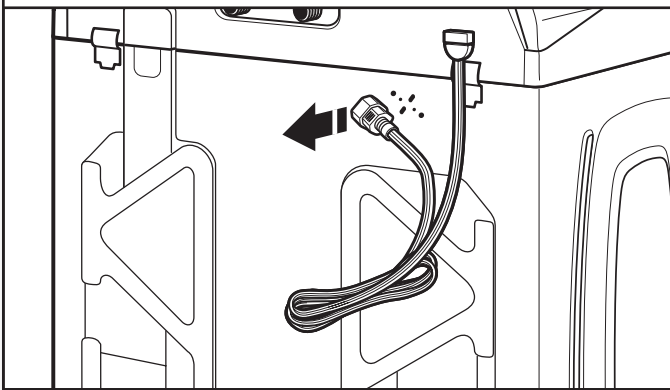
1. Mueva la lavadora



Mueva la lavadora a 1,2 m (4 pies) de su ubicación final. Debe estar en posición vertical.

NOTA: Para evitar daños en el piso, coloque la lavadora sobre un cartón antes de moverla y asegúrese de que la tapa esté cerrada con cinta adhesiva.

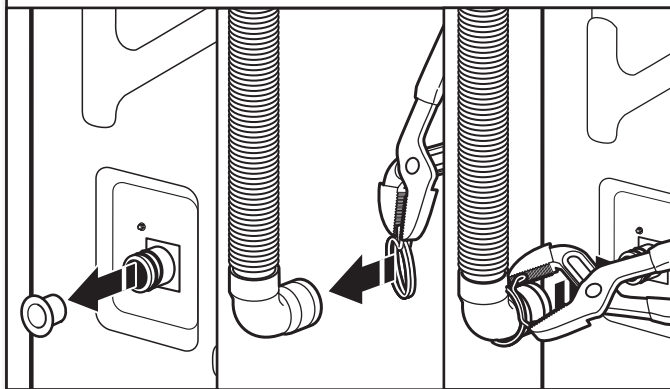
4. Libere el cable eléctrico



Sujete con firmeza el cable eléctrico y jálelo para liberarlo por completo del panel posterior. Después coloque el cable eléctrico con cuidado sobre la consola para permitir un acceso sin obstrucciones a la parte posterior de la lavadora.

CONEXIÓN DE LA MANGUERA DE DESAGÜE

5. Sujete la manguera de desagüe al puerto de desagüe



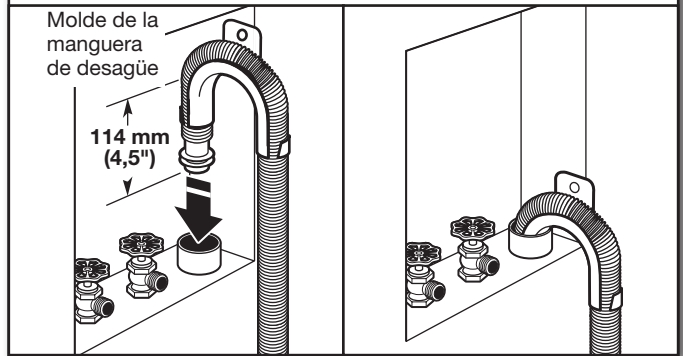
Quite el tapón rojo de plástico del puerto negro de desagüe que se encuentra en la parte posterior de la lavadora.

Si la abrazadera no está en su lugar, sobre el extremo del codo de la manguera de desagüe, deslícela sobre el extremo como se muestra. Apriete la abrazadera con unas pinzas y deslice el extremo de la manguera de desagüe con el codo negro sobre el puerto de desagüe negro. Asegúrelo con la abrazadera.

Para una tina de lavandería o una tubería vertical, vaya al paso 6.

Para un desagüe por el piso, quite el molde de la manguera de desagüe instalado previamente, como se muestra en el paso 7. Podría necesitar piezas adicionales con indicaciones por separado. Vea "Piezas y herramientas".

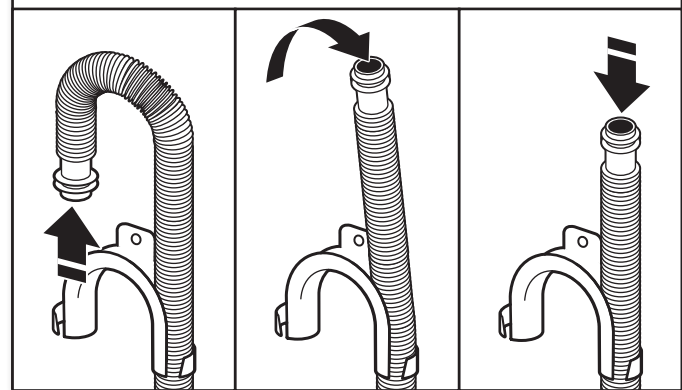
6. Coloque la manguera de desagüe en el tubo vertical



Coloque la manguera dentro del tubo vertical (se muestra en la ilustración) o sobre el lado de la tina de lavadero.

IMPORTANTE: No debe haber más de 114 mm (4,5") de manguera de desagüe dentro del tubo vertical; no fuerce el exceso de la manguera dentro del tubo vertical, ni lo coloque en el fondo de la tina de lavadero. El molde de la manguera de desagüe debe usarse.

7. Quite el molde de la manguera de desagüe (instalaciones con desagüe por el piso únicamente)



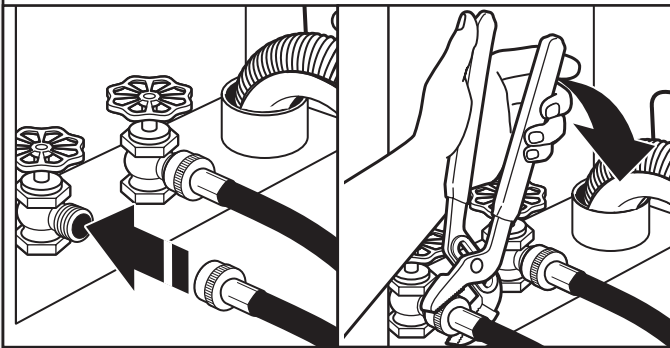
Para las instalaciones con desagüe por el piso, necesitará quitar el molde de la manguera de desagüe del extremo de la misma. Puede ser que necesite piezas adicionales con instrucciones por separado. Vea "Piezas y herramientas".

CONEXIÓN DE LAS MANGUERAS DE ENTRADA

La lavadora debe estar conectada a los grifos de agua con mangueras de entrada nuevas y arandelas planas (proporcionado). No use mangueras viejas.

NOTA: Deberán sujetarse ambas mangueras y tener flujo de agua a las válvulas de llenado. Si sólo va a conectar a un grifo de agua fría, deberá utilizar un adaptador en Y (proporcionado).

8a. Conecte las mangueras de entrada a los grifos del agua

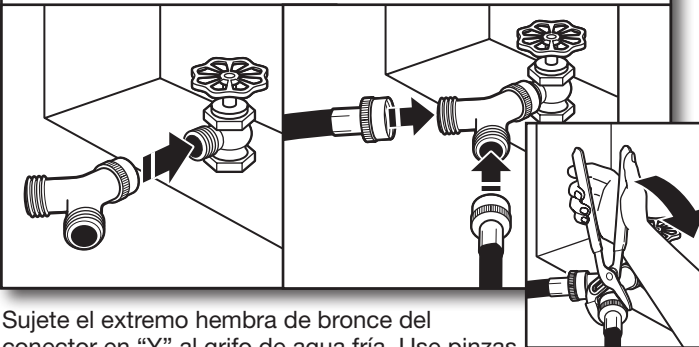


Sujete la manguera al grifo de agua caliente. Atornille el acoplamiento con la mano hasta que quede asentado en la lavadora. Use pinzas para apretar los acoplamientos dos tercios de vuelta adicional. Repita este paso con la segunda manguera para el grifo de agua fría.

IMPORTANTE: No apriete en exceso ni use cinta o selladores en la válvula cuando la sujete a los grifos o a la lavadora. Puede resultar en daños.

CONSEJO ÚTIL: Para ayudar a conectar las mangueras a la lavadora correctamente, tome nota de cuál de las mangueras está conectada al agua caliente. En la mayoría de las configuraciones estándar, las mangueras se cruzarán cuando estén sujetadas correctamente.

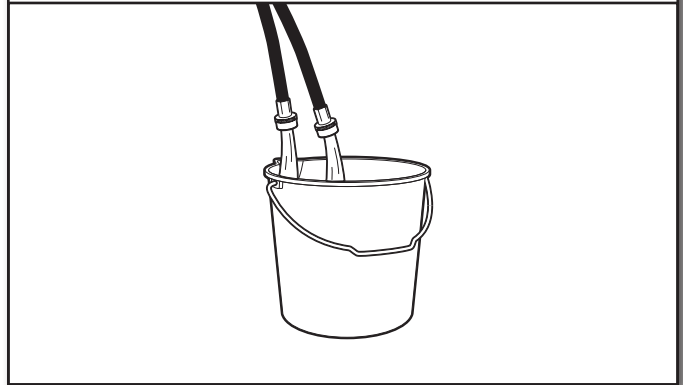
8b. Conecte las mangueras de entrada al conector en "Y"



Sujete el extremo hembra de bronce del conector en "Y" al grifo de agua fría. Use pinzas para apretar los acoplamientos dos tercios de vuelta adicional. Un extremo de la manguera larga tiene un filtro de malla de alambre dentro del acoplamiento. Sujete este extremo al conector en "Y". Fije la manguera de entrada de agua fría de la lavadora al otro lado del conector en "Y". Atornille el acoplamiento con la mano hasta que quede asentado en el conector. Usando las pinzas, apriete los acoplamientos dos tercios de vuelta adicional.

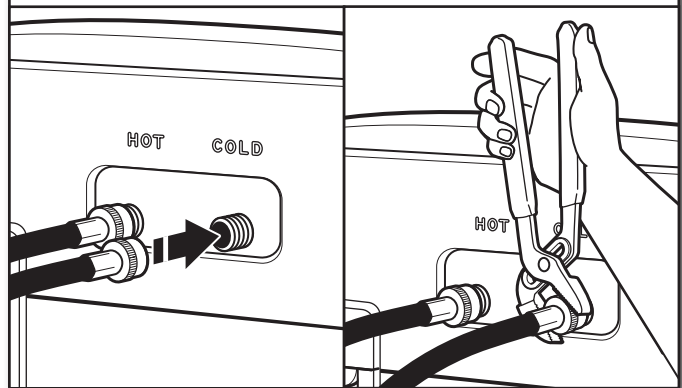
IMPORTANTE: No apriete en exceso ni use cinta o selladores en la válvula cuando la sujete a los grifos o a la lavadora. Puede ocasionar daños.

9. Despeje las líneas de agua



Deje correr agua por algunos segundos por las mangueras hacia una tina de lavadero, tubo de desagüe o cubeta para evitar que se obstruya. El agua debe correr hasta que salga limpia.

10. Conecte las mangueras de entrada a la lavadora

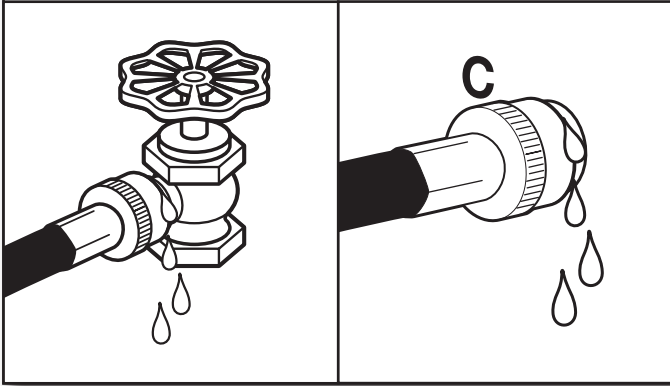


Sujete la manguera de agua caliente a la válvula de entrada del agua caliente, marcada con un anillo rojo. Atornille el acoplamiento a mano hasta que quede apretado. Use pinzas para apretar los acoplamientos dos tercios de vuelta adicional. Repítalo con la válvula de entrada del agua fría.

IMPORTANTE: Para reducir el riesgo de que las mangueras fallen, reemplácelas cada 5 años. Para consulta en el futuro, anote en las mangueras la fecha de instalación o la fecha de reposición de las mismas.

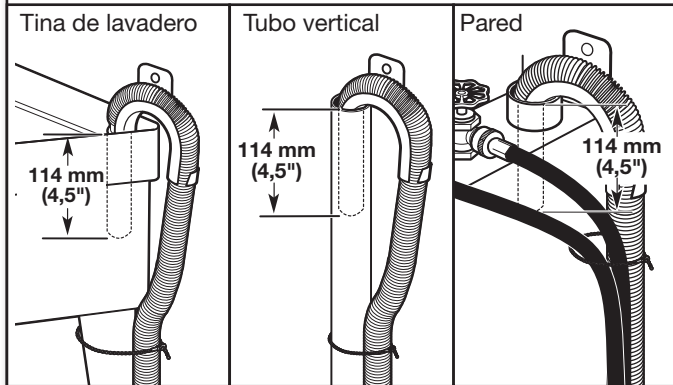
- Inspeccione periódicamente y reemplace las mangueras si aparecen bultos, torceduras, cortaduras, desgaste o filtraciones de agua.

11. Revise si hay fugas



Abra los grifos del agua para revisar si hay fugas. Una pequeña cantidad de agua podría entrar en la lavadora. Ésta se desaguará más tarde.

12. Asegure la manguera de desagüe

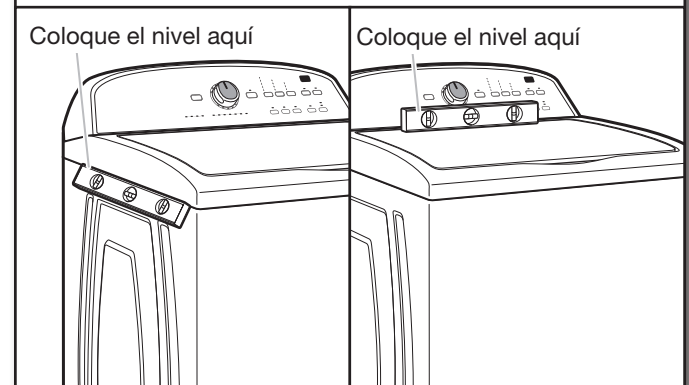


Asegure la manguera de desagüe a la pata del lavadero, al tubo vertical o a las mangueras de entrada para el tubo vertical de pared, utilizando el fleje de atadura rebordeado.

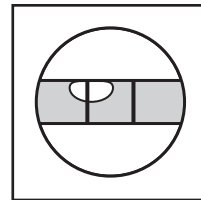
NIVELACIÓN DE LA LAVADORA

IMPORTANTE: El nivelar adecuadamente su lavadora reduce el ruido y la vibración en exceso.

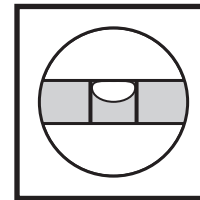
13. Revise la nivelación de la lavadora



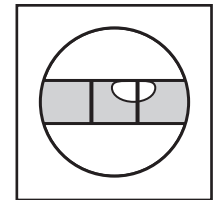
Con la lavadora en su ubicación final, coloque un nivel en los bordes superiores de la lavadora. Use la hendidura lateral como una guía para revisar la nivelación de los lados. Revise la nivelación del frente usando la tapa, como se muestra. Balancee la lavadora hacia delante y hacia atrás para asegurarse de que las 4 patas hagan contacto firme con el piso. Si la lavadora está nivelada, saltee al paso 15 (en los modelos con las patas de metal) o al paso 16 (en los modelos con las patas plásticas).



No está nivelada

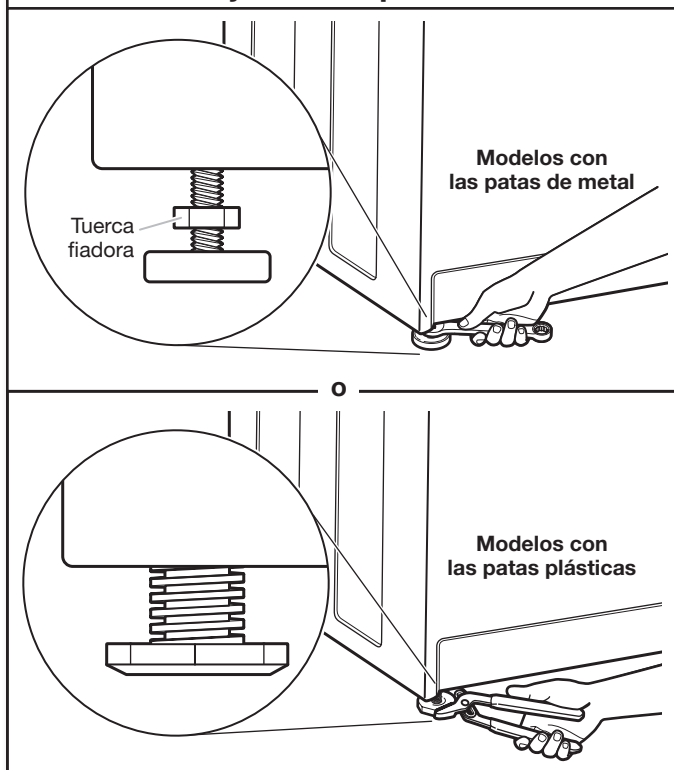


NIVELADA



No está nivelada

14. Cómo ajustar las patas niveladoras



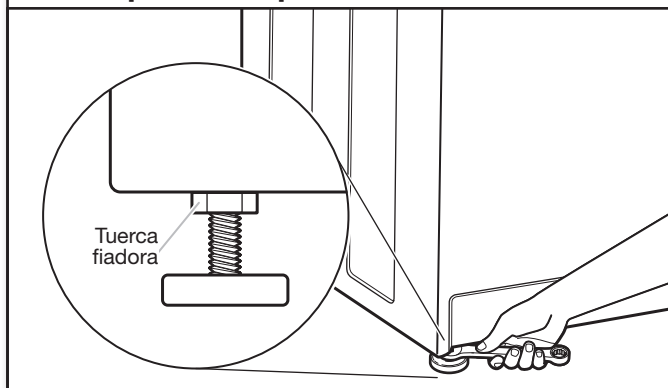
Si la lavadora no está nivelada:

En los modelos con las patas de metal, use una llave de boca de 14 mm (9/16") o una llave ajustable para girar las tuercas fijadoras hacia la derecha sobre las patas, hasta que estén a aproximadamente 13 mm (1/2") de la carcasa de la lavadora. Luego gire la pata niveladora hacia la derecha para bajar la lavadora, o hacia la izquierda para levantarla.

En los modelos con las patas plásticas, use los alicates ajustables para girar la pata niveladora plástica hacia la izquierda para bajar la lavadora o hacia la derecha para levantarla. En todos los modelos, revise la nivelación de la lavadora nuevamente y repita el procedimiento según sea necesario.

CONSEJO ÚTIL: Puede apuntalar el frente de la lavadora aproximadamente 102 mm (4") con un bloque de madera o un objeto similar que vaya a soportar el peso de la lavadora.

15. Apriete las patas niveladoras



En los modelos con las patas de metal, cuando la lavadora esté nivelada, use una llave de boca de 14 mm (9/16") o una llave ajustable para girar las tuercas fijadoras en las patas hacia la izquierda, apretándolas contra la carcasa de la lavadora.

CONSEJO ÚTIL: Puede apuntalar la lavadora con un bloque de madera.

INSTALACIÓN DEL CABLE ELÉCTRICO

⚠ ADVERTENCIA



Peligro de Choque Eléctrico

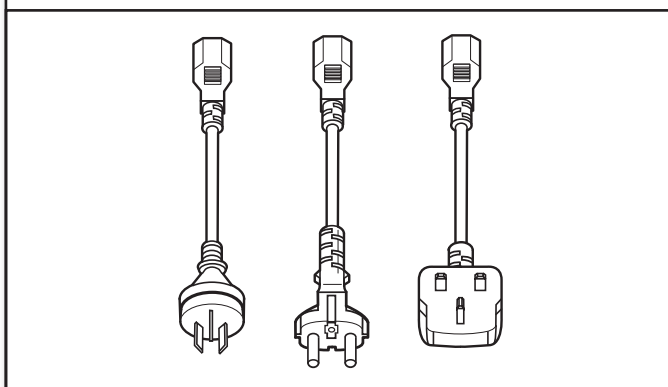
Conecte a un enchufe de pared de conexión a tierra.

No use un adaptador.

No use un cable eléctrico de extensión.

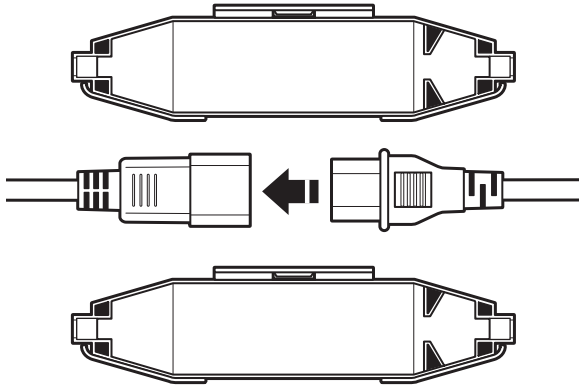
No seguir estas instrucciones puede ocasionar la muerte, incendio o choque eléctrico.

16. Seleccione el enchufe



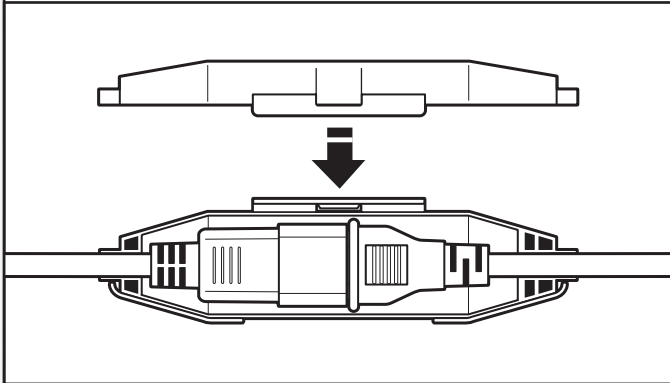
Seleccione el enchufe que encaje en el receptáculo eléctrico.

17. Ensamble el enchufe



Ensamble el enchufe dentro del extremo del cable eléctrico, ubicado en la parte posterior de la lavadora.

18. Asegure el cable eléctrico



Asegure el cable de suministro de energía colocando la conexión sobre la traba del cable. Coloque la cubierta de la traba del cable y empuje hasta que encaje a presión. Cerciérese de que la conexión del cable de suministro de energía esté colocada en el bloqueo del cable y que la traba del cable se sujete correctamente.

Conecte el cable de suministro eléctrico a un contacto de pared de conexión a tierra. Encienda el suministro de energía.

COMPLETE LA INSTALACIÓN

- Revise los requisitos eléctricos. Asegúrese de contar con la fuente de electricidad correcta y el método recomendado de conexión a tierra.
- Verifique que todas las piezas estén ahora instaladas. Si hay alguna pieza extra, vuelva a revisar todos los pasos para ver qué se omitió.
- Verifique que tenga todas las herramientas.
- Verifique que los materiales de transporte de color amarillo se hayan quitado por completo de la parte posterior de la lavadora.
- Verifique que los ambos grifos de agua estén abiertos.
- Verifique si hay fugas alrededor de los grifos y de las mangueras de entrada.
- Quite la película protectora de la consola y la cinta que quede en la lavadora.
- Verifique que la lavadora esté enchufada en un contacto con conexión a tierra.
- Deshágase de todos los materiales de embalaje o recíclelos.
- Lea "Cuidado de la lavadora" en las Manual de uso y cuidado.
- Para probar y limpiar su lavadora, mida 1/2 de la cantidad normal recomendada de detergente en polvo o líquido y viértalo en la canasta de la lavadora o en el depósito de detergente (en algunos modelos). Cierre la tapa. Seleccione cualquier ciclo. Ponga en marcha la lavadora y deje que termine un ciclo completo.

W10454255D

© 2012
All rights reserved
Tous droits réservés.
Todos los derechos reservados.

07/12
Printed in U.S.A.
Imprimé aux É.-U.
Impreso en EE.UU.

قائمة التركيب الكاملة

- قم بإزالة الغشاء من على لوحة التحكم وأية شريط موجود على الغسالة.
- تأكد من توصيل الغسالة بمأخذ تيار مؤرض.
- تخلص من/أعد تدوير جميع مواد التعبئة.
- اقرأ قسم "استخدام الغسالة" الوارد في إرشادات مستخدم الغسالة.
- لاختبار الغسالة وتنظيفها، قم بمعايرة 1/2 من الكمية الموصى بها من مسحوق التنظيف المنظف السائل ثم اسكب هذه الكمية في سلة الغسالة أو موزع المنظف (متاح مع بعض الطرازات)، أغلق الغطاء. حدد أي دورة غسيل. قم بتشغيل الغسالة وأتركها حتى تقوم بدوره غسيل كاملة.
- تحقق من المتطلبات الكهربائية. تأكد من استخدام مصدر الإمداد بالطاقة المناسب وطريقة التأسيس الموصى بها.
- تأكد أن جميع القطع مثبتة الآن. إذا لاحظت وجود قطعة إضافية، راجع الخطوات بدقة مرة أخرى لمعرفة ما تم تخطيه.
- تأكد أن لديك كل الأدوات الخاصة بك.
- تأكد من إزالة جميع مواد الشحن الصفراء من الجانب الخلفي للغسالة.
- تأكد من تشغيل صنابير المياه.
- تأكد من عدم وجود تسريبات حول الصنابير وخرطوم إدخال المياه.

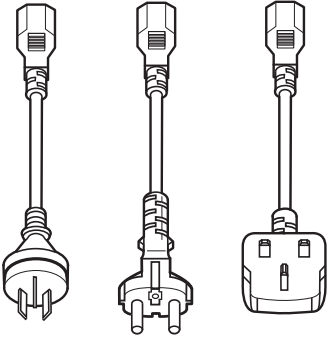
إذا لم تكن الغسالة في حالة استواء:

في حالة الطرز ذات الأقدام المعدنية، استخدم مفتاح ربط مفتوح الفك أو مفتاح ربط انضباطي 14 مم (9/16 بوصة) لتحريك الصواميل الضاغطة في اتجاه عقارب الساعة على الأقدام حتى تصبح على مسافة 13 مم (1/2 بوصة) من حاوية الغسالة. ثم قم بتحريك أقدام الاستواء في اتجاه عقارب الساعة لخفض مستوى الغسالة أو عكس عقارب الساعة لرفع الغسالة.

في الطرز ذات الأقدام البلاستيك، استخدم كماشة انضباطية لتدوير قدم التسوية البلاستيك عكس اتجاه عقارب الساعة لخفض الغسالة أو في اتجاه عقارب الساعة لرفع الغسالة. في جميع الطرز، قم بإعادة فحص استواء الغسالة وإعادة الخطوة في حالة الضرورة.

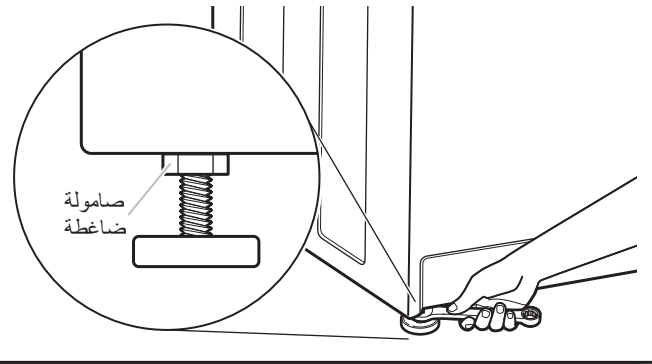
نصيحة مفيدة: قد ترغب في دعم الجانب الأمامي من الغسالة بحوالي 102 مم (4 بوصة) باستخدام كتلة خشبية أو جسم مماثل من شأنه دعم وزن الغسالة.

16. اختيار قابس



اختر القابس الملائم للمقبس الكهربائي.

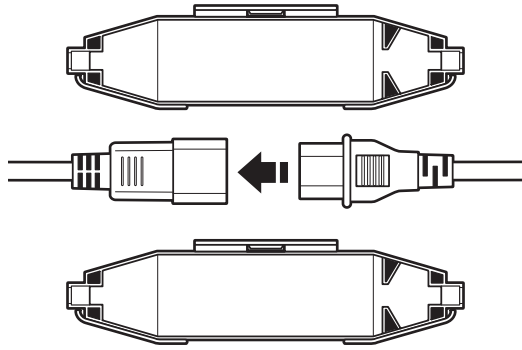
15. إحكام ربط أقدام الاستواء



في حالة الطرز ذات الأقدام المعدنية، عند استواء الغسالة، استخدم مفتاح ربط مفتوح الفك أو مفتاح ربط انضباطي 14 مم (9/16 بوصة) لتحريك الصواميل الضاغطة عكس اتجاه عقارب الساعة على أقدام الاستواء بإحكام في اتجاه حاوية الغسالة.

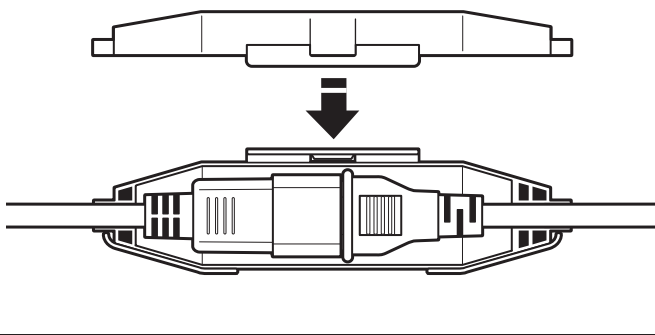
نصيحة مفيدة: قد ترغب في تدعيم الغسالة باستخدام كتلة خشبية.

17. تركيب القابس



قم بتركيب القابس في طرف كبل الطاقة الموجود في جانب الغسالة الخلفي.

18. أحكم تثبيت كبل الطاقة



أحكم تثبيت كبل الطاقة عن طريق ضبط الوصلة على قفل الكبل. ضع غطاء قفل الكبل واضغط حتى يسنقر في مكانه. تأكد من أن تثبيت وصلة كبل الطاقة على قفل الكبل ومن إحكام تثبيت القفل على النحو الملائم. وصل كبل مصدر الطاقة بمأخذ تيار ثلاثي مؤرض. ثم قم بتشغيل مصدر الطاقة.

تركيب كبل الطاقة

تحذير



خطر التعرض لصدمة كهربائية

أدخل القابس في منفذ مقبس التيار المؤرض.

لا تقم بإزالة الدبوس المؤرض.

لا تستخدم أية محولات.

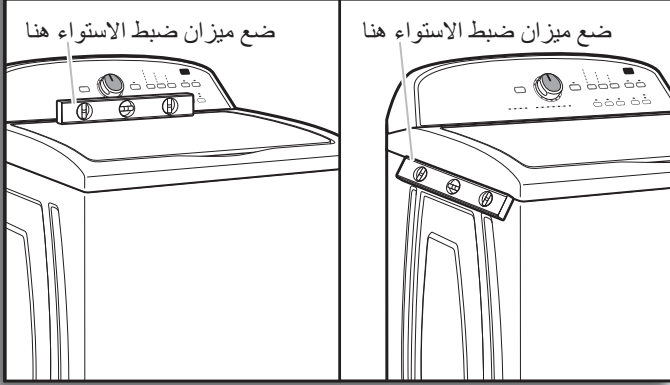
لا تستخدم كبل إطالة.

قد يؤدي عدم اتباع هذه الإرشادات إلى الوفاة أو الحريق أو التعرض لصدمة كهربائية.

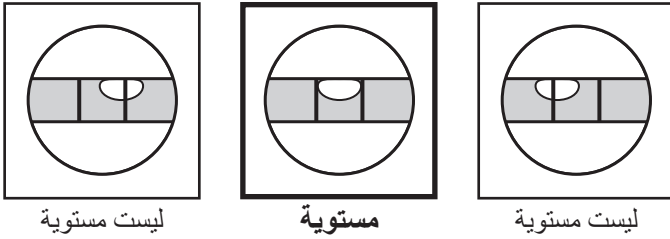
وضع الغسالة على سطح مستو

هام: قم بوضع الغسالة على سطح مستوى للحد من الضوضاء الزائدة والاهتزاز.

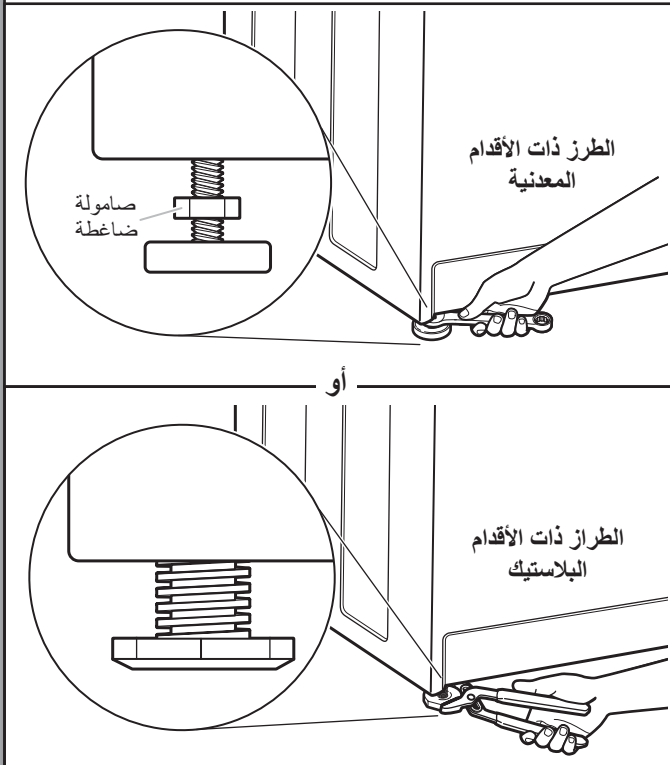
13. تحقق من أن الغسالة في وضع مستو



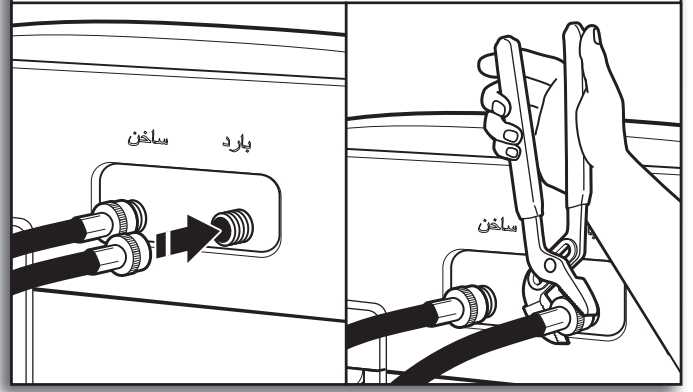
والغسالة في موقعها النهائي، ضع ميزان ضبط الاستواء على الحواف العلوية للغسالة. واستخدام خط جانبي كدليل للتحقق من استواء الأجناب. وتحقق من استواء الجانب الأمامي باستخدام الغطاء، كما هو موضح بالشكل. قم بإمالة الغسالة للخلف وللأمام للتأكد من ملامسة الأقدام الأربعة بالأرضية تمامًا. وفي حال استواء الغسالة، انتقل إلى الخطوة 15، (في الطرازات ذات الأقدام المعدنية) أو الخطوة 16 (في الطرازات ذات البلاستيك).



14. ضبط أقدام الاستواء



10. توصيل خرطوم إدخال المياه بالغسالة

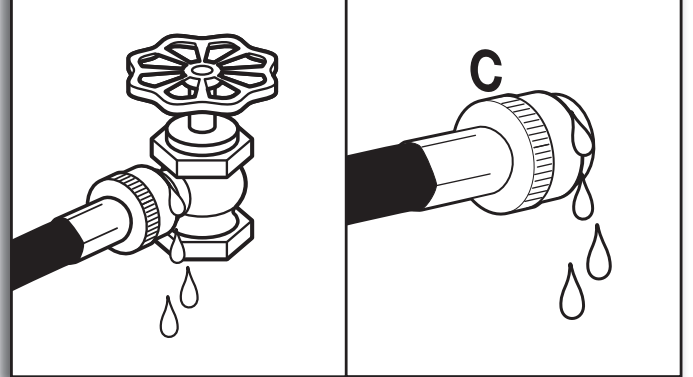


قم بتوصيل خرطوم المياه الساخنة بصمام إدخال المياه الساخنة ذي الحلقة الحمراء. اربط الوصلة يدويًا حتى يتم إحكامها. استخدام الكماشة لإحكام ربط الوصلات بمعدل ثلاثي دورة كاملة. كرر هذه الخطوة مع صمام إدخال المياه الباردة.

هام: لتقليل مخاطر تلف الخرطوم، استبدل الخرطوم كل 5 سنوات، قم بتسجيل تواريخ تركيب الخرطوم أو استبداله للرجوع إليها مستقبلاً.

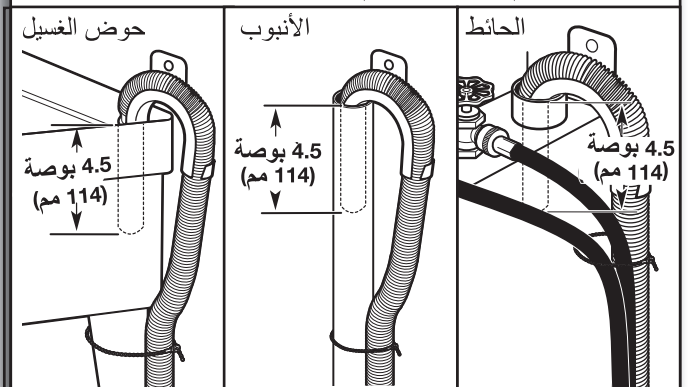
■ قم بفحص واستبدال الخرطوم بشكل منتظم في حال وجود انشاءات أو قطع أو بلى أو تسريبات أو نتوءات.

11. فحص التسريبات



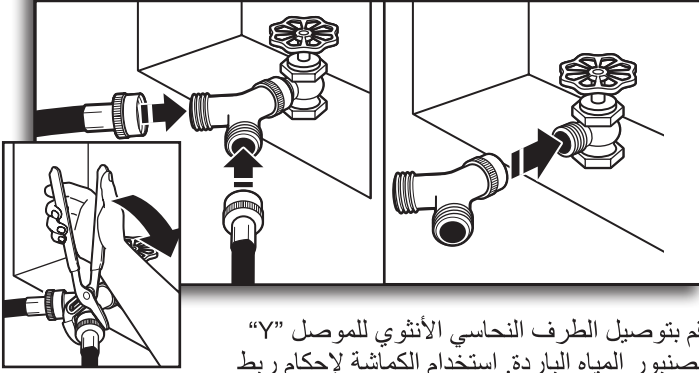
قم بتشغيل صنابير المياه لفحص التسريبات، قد تدخل كمية قليلة من المياه في الغسالة وسيتم تصريفها لاحقًا.

12. إحكام ربط خرطوم الصرف



أحكم تثبيت خرطوم الصرف في دعامة حوض الغسيل، أو في ماسورة الصرف الرأسية أو في خرطومي إدخال المياه لماسورة الصرف الحائطية برباط من السلك.

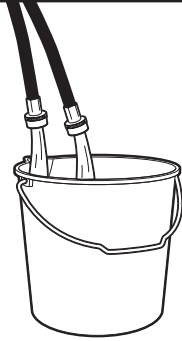
8 ب. توصيل خرطوم إدخال المياه بموصل "Y"



قم بتوصيل الطرف النحاسي الأنتوي للموصل "Y" بصنبور المياه الباردة. استخدام الكماشة لإحكام ربط الوصلات بمعدل ثلثي دورة كاملة. يتضمن أحد أطراف الخرطوم الطويل مصفاة سلكية بداخل الوصلة. قم بتوصيل هذا الطرف بموصل "Y". قم بتوصيل خرطوم إدخال المياه الباردة للغسالة بالجانب الآخر من موصل "Y". اربط الوصلة يدويًا حتى تثبت على الموصل. استخدام الكماشة لإحكام ربط الوصلات بمعدل ثلثي دورة كاملة.

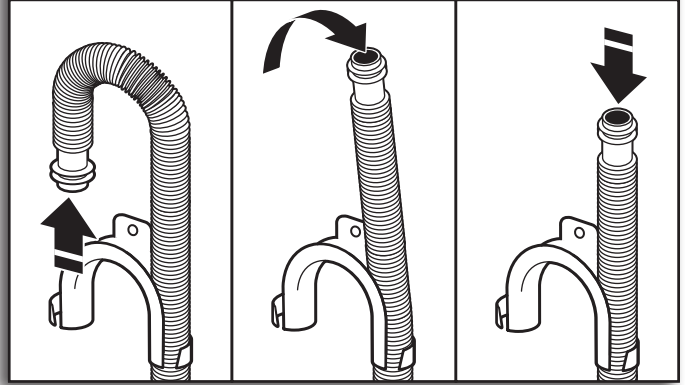
هام: لا تفرط في إحكام أو استخدام الشريط أو موانع التسريب على الصمام عند التوصيل بالصنابير أو الغسالة. فقد يؤدي ذلك إلى حدوث تلف.

9. خطوط المياه النقية



قم بتشغيل المياه لثوان معدودة من خلال الخرطوم في حوض الغسيل أو أنبوب الصرف أو وعاء لتجنب الانسداد. يتعين تشغيل المياه حتى تصفو.

7. إزالة إطار خرطوم الصرف (التركيبات الأرضية فقط)



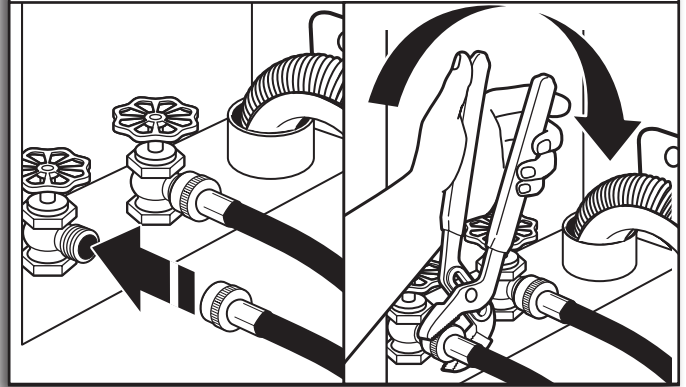
فيما يتعلق بتركيبات الصرف الأرضي، فستحتاج إلى إزالة إطار خرطوم الصرف من طرف الخرطوم. وقد تحتاج إلى أجزاء إضافية باتجاهات منفصلة. راجع "الأدوات والأجزاء".

توصيل خرطوم إدخال المياه

ينبغي توصيل الغسالة بصنابير المياه من خلال خرطوم إدخال مياه جديدة مع الغسالات المستوية (متوافرة). تجنب استخدام الخرطوم القديمة.

ملاحظة: ينبغي توصيل الخرطوم وتدقق المياه إلى صمامات إدخال المياه. إذا قمت بالتوصيل فقط بصنبور مياه باردة، ينبغي عليك استخدام محول Y (متوافر).

8 أ. توصيل خرطوم إدخال المياه بصنابير المياه



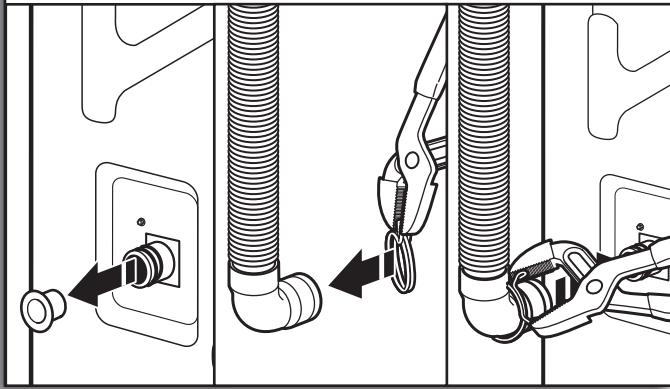
قم بتوصيل الخرطوم بصنبور مياه ساخن. اربط الوصلة يدويًا حتى تثبت على الغسالة. استخدام الكماشة لإحكام ربط الوصلات بمعدل ثلثي دورة كاملة. كرر هذه الخطوة مع الخرطوم الثاني لصنبور المياه الباردة.

هام: لا تفرط في إحكام أو استخدام الشريط أو موانع التسريب على الصمام عند التوصيل بالصنابير أو الغسالة. فقد يؤدي ذلك إلى حدوث تلف.

معلومة مفيدة: عليك مراعاة معرفة الخرطوم المتصل بالمياه الساخنة مما يساعدك في توصيل الخرطوم بالغسالة بشكل صحيح، وفي معظم التركيبات القياسية، تتراكم الخرطوم فوق بعضها بشكل عرضي عند توصيلها على النحو الصحيح.

توصيل خرطوم الصرف

5. توصيل خرطوم الصرف بمنفذ الصرف



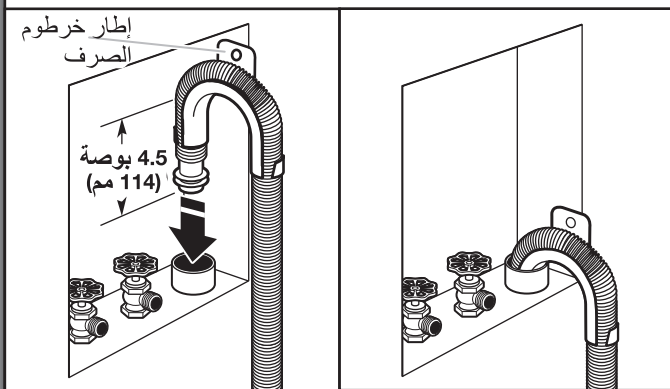
قم بإزالة السدادة البلاستيكية الحمراء من منفذ الصرف الأسود الموجود خلف الغسالة.

إذا لم يكن المشبك في مكانه الصحيح في طرف خرطوم الصرف الذي يشبه الكوع قم بزلقه حتى النهاية كما هو موضح. اضغط على المشبك باستخدام الكماشة وقم بزلق الطرف الأسود لخرطوم الصرف الذي على شكل كوع على منفذ الصرف الأسود وتثبيته بالمشبك.

فيما يتعلق بحوض الغسيل أو صرف الأنبوب، انتقل إلى الخطوة 6.

فيما يتعلق بالصرف الأرضي، قم بإزالة خرطوم الصرف المثبت مسبقاً على النحو الموضح في الخطوة 7، وقد تحتاج إلى أجزاء إضافية باتجاهات منفصلة. راجع "الأدوات والأجزاء".

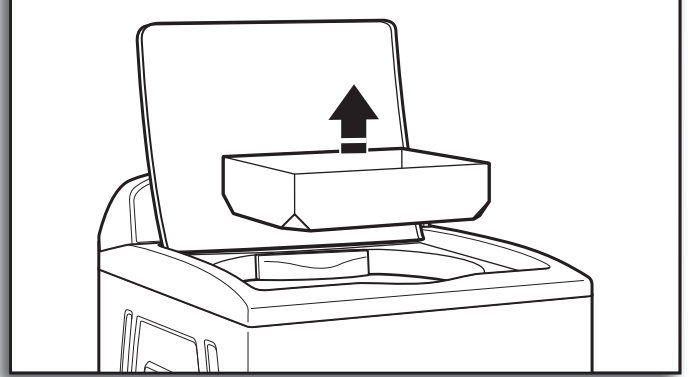
6. وضع خرطوم الصرف في الأنبوب



قم بوضع الخرطوم في الأنبوب (كما هو موضح بالصورة) أو على جانب حوض الغسيل.

هام: يجب أن يكون 4.5 بوصة (114 مم) من خرطوم الصرف داخل الأنبوب، ولا تدفع بقوة الجزء الزائد من الخرطوم داخل الأنبوب أو وضعه في أسفل حوض الغسيل. لا بد من استخدام إطار خرطوم الصرف.

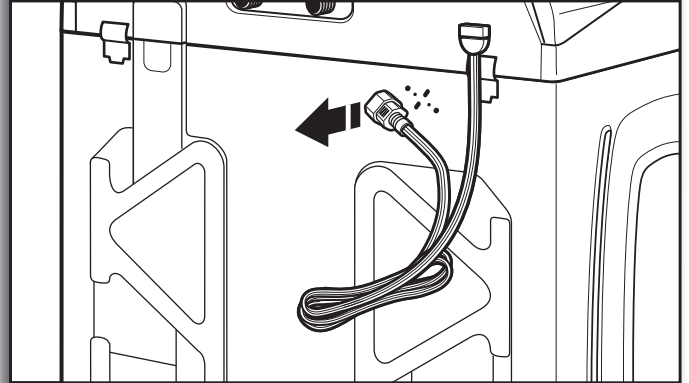
3. إزالة وحدة التعبئة من الحوض



قم بإزالة الشريط من غطاء الغسالة، وافتح الغطاء وقم بإزالة وحدة التعبئة الكرتونية من الحوض. تأكد من إزالة جميع الأجزاء من الوحدة.

ملاحظة: احتفظ بالوحدة في حال كنت تحتاج لنقل الغسالة فيما بعد.

4. كبل طاقة حر



امسك بإحكام قابس كبل الطاقة وانزعه لفكه من اللوحة الخلفية. قم بوضع كبل الطاقة على لوحة التحكم برفق لإتاحة الوصول إلى الجزء الخلفي للغسالة.

تحذير

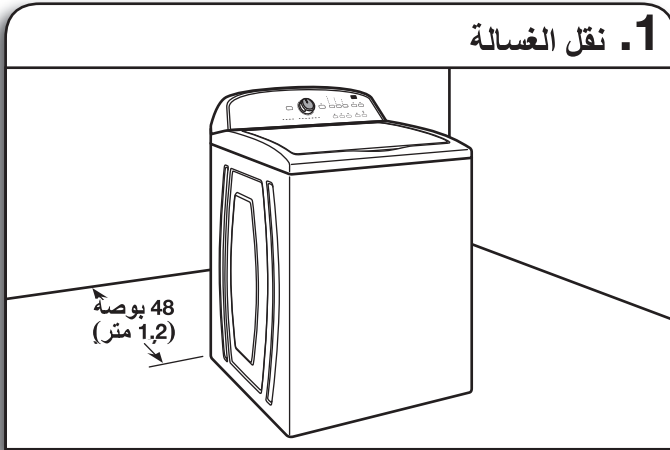
خطر الوزن الزائد

استعن بشخصين أو أكثر لنقل الغسالة وتركيبها. قد يؤدي عدم القيام بذلك إلى الإصابة بالأم الظهر أو غيرها من الإصابات.

قبل بدء الاستخدام: قم بإزالة مواد التعبئة والشحن

من الضروري إزالة جميع مواد الشحن لضمان التشغيل بصورة ملائمة وتجنب حدوث صدور ضوضاء من الغسالة.

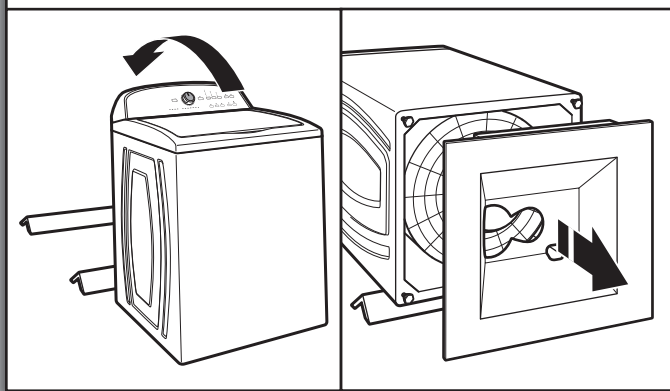
1. نقل الغسالة



قم بتحريك الغسالة حوالي 4 قدم (1.2 متر) من آخر موضع لها، وينبغي أن تكون في وضع عمودي تمامًا.

ملاحظة: لتجنب إلحاق الضرر بالأرضية، ضع الغسالة على كرتون قبل نقلها وتأكد من أن الغطاء محكم الغلق.

2. إزالة قاعدة التعبئة



لتجنب إلحاق الضرر بالأرضية، ضع الدعائم الكرتونية من كرتون التعبئة على الأرضية خلف الغسالة. قم بإزالة الغسالة للوراء وضعها على الدعائم الكرتونية. قم بإزالة قاعدة التعبئة. ضع الغسالة عموديًا على الدعائم الكرتونية.

هام: تعد إزالة قاعدة التعبئة أمرًا لازمًا للتشغيل الصحيح. إذا كانت الغسالة تتضمن وافي من الصوت، يرجى الرجوع إلى التعليمات المرفقة به لتثبيته الآن.

تحذير



خطر التعرض لصدمة كهربائية

أدخل القابس في منفذ مقبس التيار المؤرض.

لا تقم بإزالة الدبوس المؤرض.

لا تستخدم أية محولات.

لا تستخدم كبل إطالة.

قد يؤدي عدم اتباع هذه الإرشادات إلى الوفاة أو الحريق أو التعرض لصدمة كهربائية.

- يلزم وجود مصدر كهربائي مزود بمنصهر يتراوح ما بين 220 و240 فولت، 50 هرتز تيار متردد بقدرة 10 أمبير. ويوصى باستخدام بمنصهر إعاقة زمنية أو قاطع دائرة. كما يُوصى بتوفير قاطع دائرة منفصلة خاص بالجهاز.
- هذه الغسالة مزودة بكبل طاقة يشتمل قابس مؤرض. للحد من خطر التعرض لصدمة كهربائية، يجب تركيب الكبل في مأخذ تيار مورص يمرود - مقرر المحلية. في حال عدم وجود مأخذ مقترن، تكون مسؤولية العميل الشخصية بتوفير مأخذ مؤرض مناسب ويتم تركيبه من جانب أحد فنيي الكهرباء المؤهلين.
- يوصى أن يحدد فنيي كهرباء مؤهل مدى ملائمة المسار الأرضي إذا كانت القوانين تسمح بذلك ويتم استخدام سلك أرضي منفصل.
- لا تقم بتأريض أنبوب الغاز.
- تحقق مع فنيي الكهرباء المؤهل من صحة تأريض الغسالة بصورة مناسبة.
- يجب ألا يوجد منصهر في الدائرة المحايدة أو دائرة التأريض.
- عند وضع الغسالة في المكان المخصص لها، يجب وضع قابس في موضع يسهل الوصول إليه عند الرغبة في قطع التيار الكهربائي عن الغسالة.
- في حالة تلف كبل مصدر الطاقة، يجب استبداله من جانب الجهة المصنعة أو وكيل الخدمة التابع لها أو شخص مؤهل للصيانة لتجنب الخطر.

إرشادات التأريض

يجب تأريض هذه الغسالة في حال حدوث خلل أو عطل، يقلل التأريض من خطر حدوث صدمة كهربائية من خلال توفير مسار لمقاومة أقل للتيار الكهربائي. تستخدم هذه الغسالة مع كبل يحتوي على موصل مؤرض للمعدات وقابس مؤرض. ويجب توصيل القابس بمنفذ مناسب مركب بشكل صحيح ومؤرض وفقًا لجميع القوانين والقرارات الرسمية المحلية.

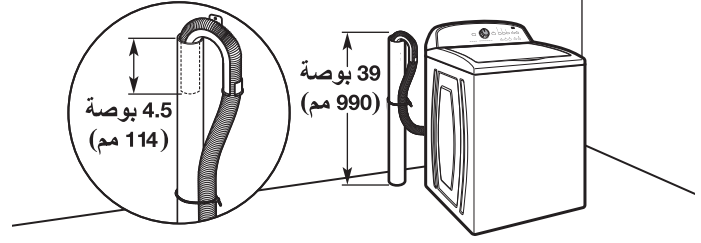
تحذير: يمكن أن يؤدي التوصيل الخاطئ لموصل التأريض للمعدات إلى خطر التعرض لصدمة كهربائية. تحقق مع فنيي كهرباء مؤهل أو موظفي الخدمة إذا كنت في شك بشأن تأريض الغسالة بشكل صحيح.

لا تقم بتعديل القابس المرفق مع الجهاز: إذا كان لا يلاءم مأخذ التيار، قم بتركيب مأخذ تيار مناسب عن طريق فنيي كهرباء مؤهل.

نظام الصرف

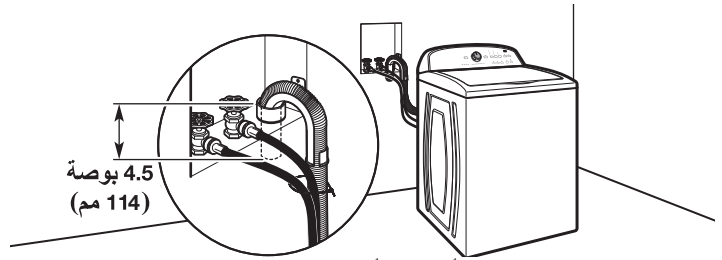
يمكن تركيب نظام الصرف باستخدام الصرف الأرضي أو أنبوب الحائط أو أنبوب الأرضية أو حوض الغسيل. حدد الطريقة المناسبة لك.

نظام صرف أنبوب الأرضية



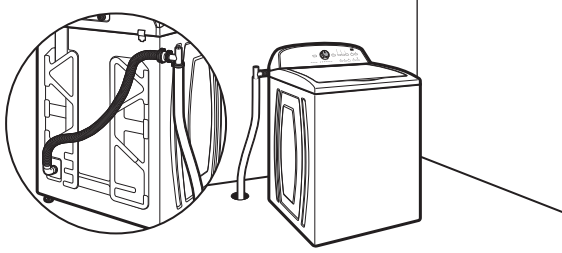
الحد الأدنى بقطر أنبوب الصرف: 2 بوصة (51 مم). أدنى سعة تحميل: 17 جالون (64 لتر) لكل دقيقة. يجب أن تكون مقدمة الأنبوب 39 بوصة وارتفاع (990 مم) على الأقل، قم بالتركيب على ارتفاع لا يزيد عن 48 بوصة (1.22 م) من أسفل الغسالة. إذا كان ينبغي عليك التركيب على مساحة تزيد عن 48 بوصة (1.22)، فستحتاج إلى وجود نظام مضخة الحوض.

نظام صرف أنبوب الحائط



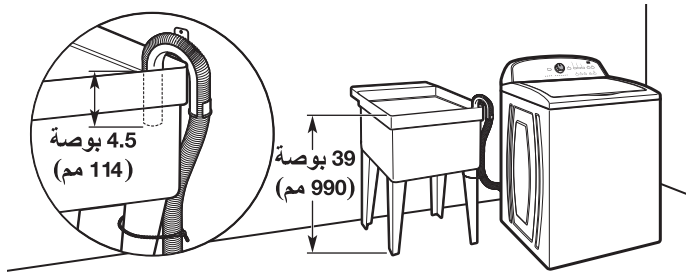
راجع متطلبات نظام صرف أنبوب الأرضية.

نظام الصرف الأرضي



يتطلب نظام الصرف الأرضي مجموعة الشفط (رقم القطعة 285834) ومجموعتي موصلات (رقم القطعة 285835) ووصلة خرطوم صرف (رقم القطعة 285863) والتي يمكن شراءها منفصلة. للاستفسار عن أي شيء يرجى الاتصال بالموزع الذي اشتريت منه الغسالة أو شركة الخدمة المعتمدة. الحد الأدنى لمجموعة سيفون بريك: 28 بوصة (710 مم) من أسفل الغسالة. (قد يلزم وجود المزيد من الخرطوم الإضافية).

نظام صرف حوض الغسيل

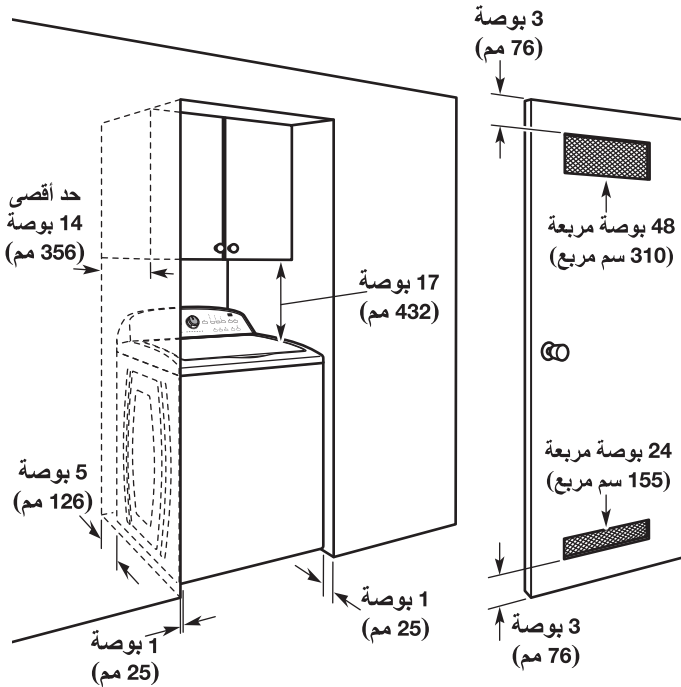


الحد الأدنى للسعة: 20 جالون (76 لتر). يجب أن تكون حوض الغسيل 39 بوصة وارتفاع (990 مم) على الأقل فوق الأرضية، قم بالتركيب على ارتفاع لا يزيد عن 48 بوصة (1.22 م) من أسفل الغسالة.

هام: للحيلولة دون حدوث شفت، لا يجب أن يكون طول أنبوب الصرف أكبر من 4.5 بوصة (114 مم) داخل الأنبوب الرئيسي أو تحت مقدمة حوض الغسيل. أحكم ربط خرطوم الصرف باستخدام رابط الكبلات.

هام: لا تقم بتركيب الغسالة أو تخزينها أو تشغيلها في مكان تتعرض فيه للظروف الجوية أو درجات الحرارة التي تتعدى 32 درجة فهرنهايت (0 مئوية). قد يتسبب وجود مياه داخل الغسالة بعد الاستخدام في حدوث تلف للغسالة عند انخفاض درجات الحرارة. راجع "العناية بالغسالة" في دليل العناية والاستخدام المرفق للاطلاع على المعلومات الخاصة بفصل الشتاء. تقع على عاتق المستخدم مسؤولية التركيب الصحيح.

التركيب في مساحة غائرة أو خزانة



توضح الأبعاد المساحات الموصى والمسوح بها، باستثناء فتحات تهوية باب الخزانة حيث يتطلب وجود الحد الأدنى منها فقط. وقد تم اختبار هذه الغسالة للتركيب مع توافر مساحة صفر بوصة (0 مم) على الجانبين. وضع في اعتبارك وجود مساحة كافية لسهولة التركيب والصيانة والمباعدة بين الأجهزة المرفقة و مع وجود مساحة بين الحوائط والأبواب وقوالب الأرضية. يوصى بمباعدة إضافية بوصة واحدة (25 مم) على جميع جوانب الغسالة للحد من انتقال الضوضاء. في حال تركيب صندوق الخزانة أو صندوق بشقوق، يتطلب وجود فتحات تهوية سفلية وعلوية بالباب.

ملاحظة مهمة: بالنسبة للغسالات التي تتميز بوجود فتحات تهوية في قاع الوحدة، يجب عدم سد هذه الفتحات بسجادة.

أنبوب 1 بوصة (25 مم) محول أنبوب بقطر يتراوح بين 2 بوصة (51 مم) إلى 1 بوصة (25 مم)
رقم القطعة 3363920
رقم قطعة مجموعة الموصل 285835
رقم قطعة وصلة أنبوب الصرف 285863
رقم قطعة مجموعة الموصل 285835
رقم قطعة واقي أنبوب الصرف 367031
رقم قطعة مجموعة الموصل 285835

خرطوم صرف قصير جدا

نسداد نظام صرف لمياه لوجود نسالة

المواصفات الفنية:

240-220 فولت، 50 هرتز. تيار متردد، 1ph 650 وات، IP24

حجم IEC

7,5 كجم (16,5 رطل)

حجم البياضات الجافة

10,5 كجم (23 رطل)

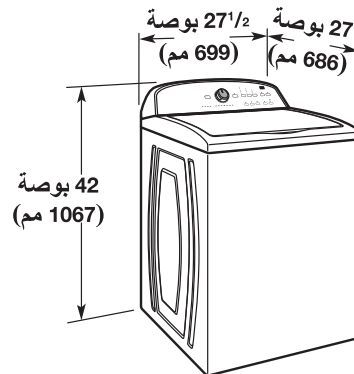
يتم بيع هذه المنتجات في مناطق متعددة حيث تختلف متطلبات تحديد الحجم باختلاف هذه المناطق، وفيما يلي بعض أشكال القياسات الصحيحة الملصقة على هذا المنتج:

حجم البياضات الجافة: مقياس وزن يوضح الحد الأقصى للحمولة التي تستوعبها الغسالة.

حجم IEC: تقدير السعة التي تمثل الحد الأقصى لأحجام البياضات الجافة والمنسوجات والمحددة من قبل الشركة المصنعة في دورة واحدة.

متطلبات الموقع

اختر الموقع المناسب لوضع الغسالة حتى يمكن الحصول على أفضل أداء وخفض مستوى الضوضاء وإمكانية "تحريك الغسالة". قم بتركيب الغسالة في الغرفة السفلية أو غرف الغسيل أو في الخزانة أو مساحة غائرة.



ستحتاج إلى:

- ضبط سخان المياه على 120 درجة فهرنهايت (49 مئوية).
- مأخذ تيار كهربائي مؤرض في نطاق 4 أقدام (1.2 م) من كبل الطاقة الموجود في الجانب الخلفي من الغسالة.
- صنبور للماء الساخن وآخر للماء البارد في نطاق 3 أقدام (0.9 م) من صمامات المياه الساخنة والباردة بالغسالة وضغط مياه يتراوح بين 20 و 100 رطل لكل بوصة مربعة (690 - 138 كيلو باسكال).
- أرضية مستوية بحد أقصى للانحدار بوصة واحدة (25 مم) تحت الغسالة بالكامل. لا ينصح بالتركيب فوق سجادة.
- يجب أن تتحمل الأرضية وزن الغسالة الإجمالي (المياه والتحميل) بحد يبلغ 315 رطل (143 كجم).

سلامة المجفف

إن سلامتك وسلامة الآخرين في غاية الأهمية.

لقد قدمنا العديد من رسائل السلامة في هذا الدليل، وعلى الجهاز. قم دائماً بالاطلاع على كافة رسائل السلامة وإتباعها.

هذا رمز تنبيه للسلامة.

ينبهك هذا الرمز للمخاطر المحتملة والتي قد تؤدي بحياتك أو تسبب الأذى لك أو للآخرين.

تأتي جميع رسائل السلامة عقب رمز التنبيه للسلامة وإما كلمة "خطر" أو "تحذير".

وتعني هاتان الكلمتان ما يلي:



قد تتعرض للوفاة أو الإصابة البالغة في حالة عدم إتباعك للإرشادات على الفور.

خطر

قد تتعرض للوفاة أو الإصابة البالغة في حالة عدم إتباعك للإرشادات.

تحذير

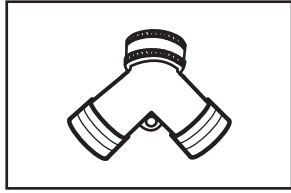
تدلك كافة الرسائل الخاصة بالسلامة حول المخاطر المحتملة، وتدللك على كيفية الحد من احتمال التعرض للإصابة، كما تدلك على ما قد يحدث في حالة عدم إتباع الإرشادات.

متطلبات التركيب

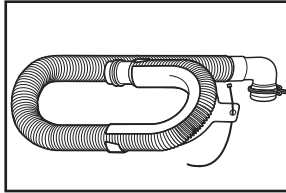
الأدوات والأجزاء

اجمع الأدوات والأجزاء اللازمة قبل بدء التثبيت.

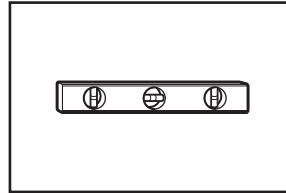
الأدوات اللازمة:



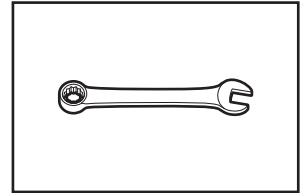
موصل على شكل حرف "Y"



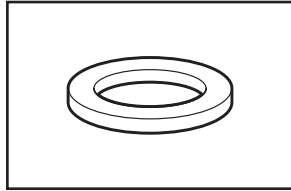
خرطوم التصريف مع المشبك، على شكل حرف، وروابط الكلاب



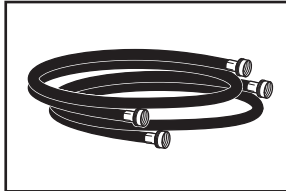
ميزان ضبط الاستواء



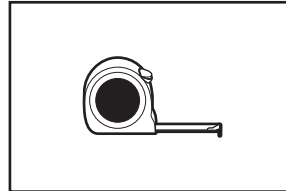
مفتاح ربط انضباطي أو مفتوح الفك 9/16 بوصة (14 مم)



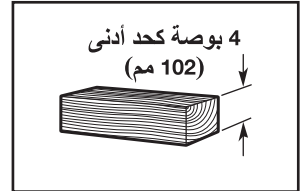
حلقة مطاط



خرطوم إدخال المياه مع الغسالات المستوية

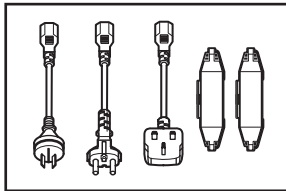


مسطرة أو شريط قياس

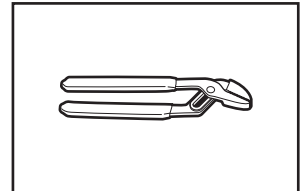


4 بوصة كحد أدنى
(102 مم)

قطعة خشبية



المقابس وغطاء تأمين الأسلاك



كماشة تفتح بمقدار 1/16 بوصة (39.5 مم)

قطع الغيار: (غير مرفقة مع الغسالة)

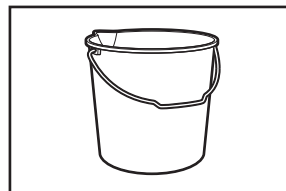
قد تتطلب عملية التركيب أجزاء إضافية. للاستفسار عن أي شيء، يرجى الاتصال بالموزع الذي اشتريت منه الغسالة أو شركة الخدمة المعتمدة.

ستحتاج إلى:

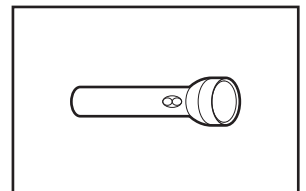
حوض صرف طويل 20 جالون قياسي
(76 لتر) 39 بوصة (990 مم) أو حوض مرفق ومضخة حوض وموصلات (متوافر عند مقدمي الأشغال الصحية)

إذا كان لديك:

أنبوب مجاري علوي



وعاء



مصباح

إرشادات تركيب الغسالة

2	سلامة المجفف
2	متطلبات التركيب
2	الأدوات والأجزاء
3	المواصفات
3	متطلبات الموقع
4	نظام الصرف
5	المتطلبات الكهربائية
5	إرشادات التركيب
6	توصيل خرطوم الصرف
7	توصيل خرطوم إدخال المياه
8	وضع الغسالة على سطح مستو
9	قائمة التركيب الكاملة
10	تركيب كبل الطاقة
