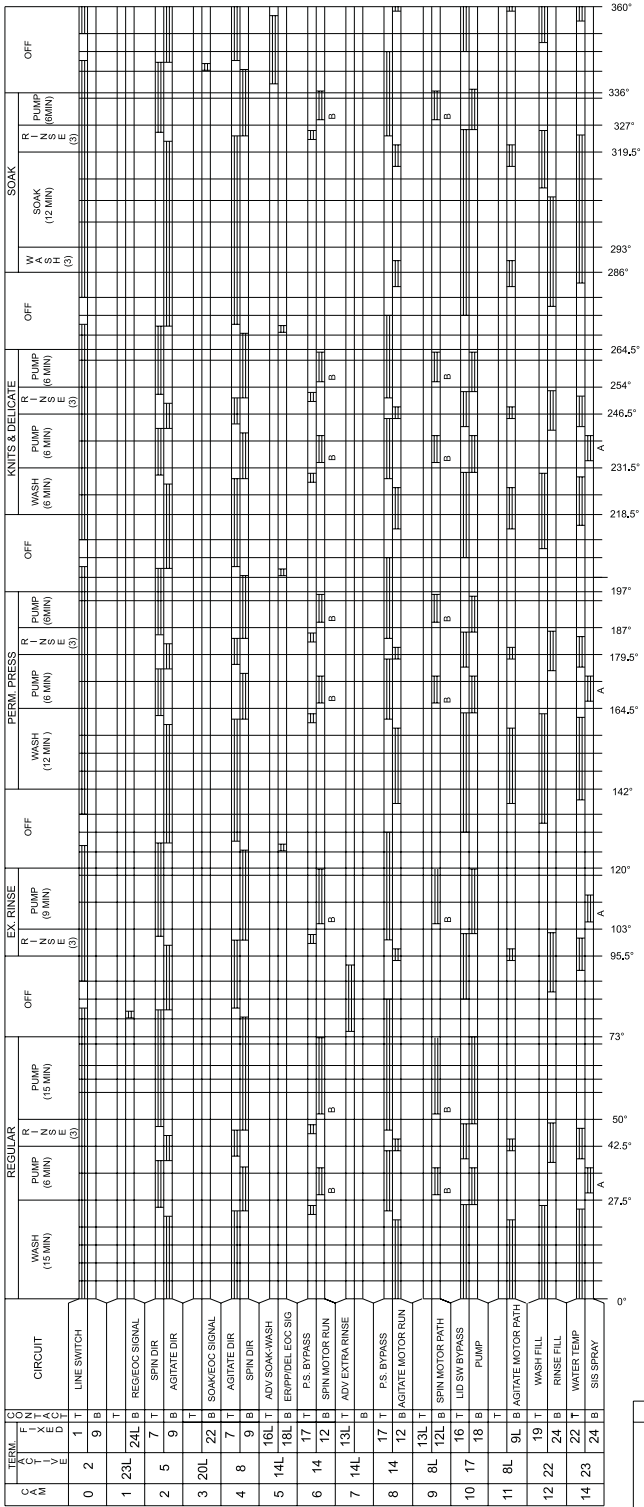
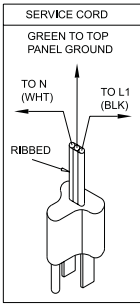
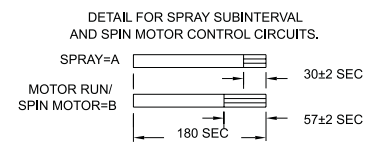
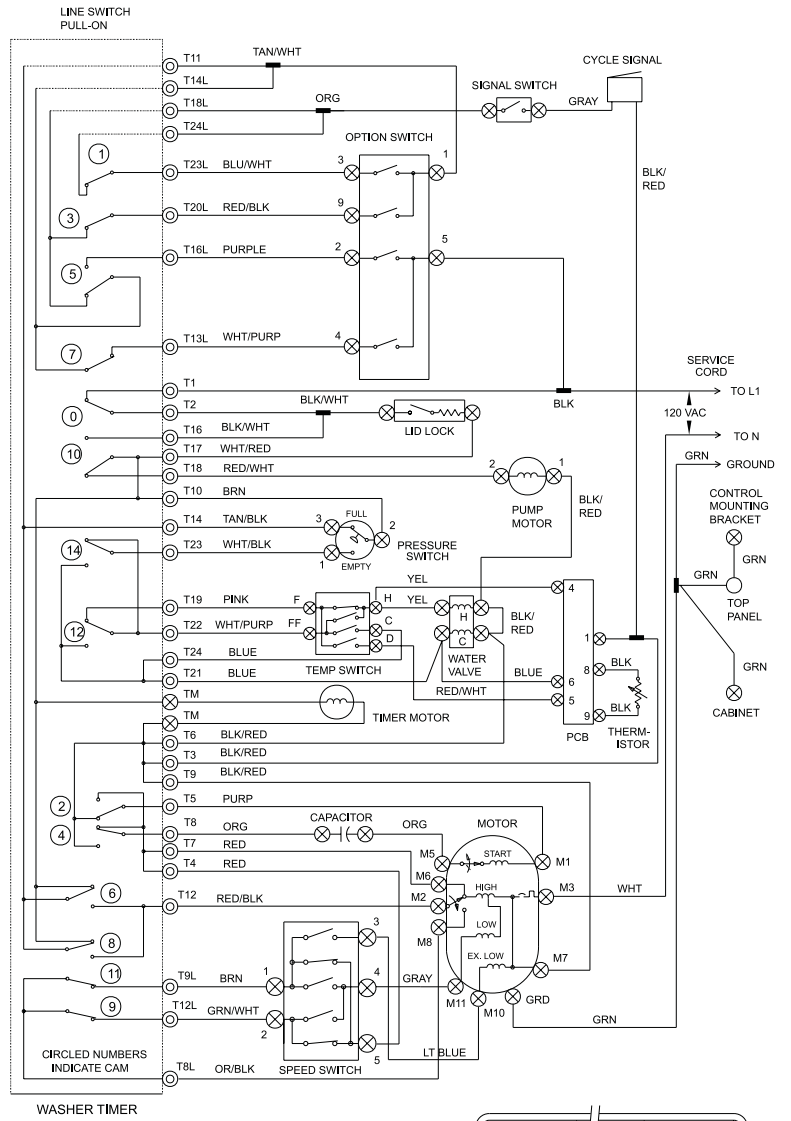


CAUTION: DISCONNECT ELECTRIC CURRENT BEFORE SERVICING



CAUTION: DISCONNECT ELECTRIC CURRENT BEFORE SERVICING



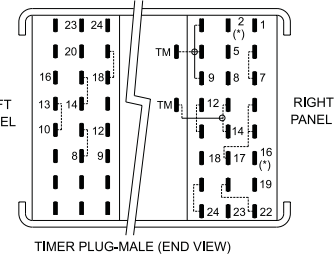
WIRING CODES

- ⊙ PLUG IN TIMER TERMINAL
- ⊗ QUICK DISCONNECT TERMINAL
- SCREW TERMINAL
- CONNECTION
- + NO CONNECTION
- ⚡ MOTOR SWITCH
- SPLICED
- ⚡ MOTOR PROTECTOR
- ⊕ CHASSIS (CABINET) GROUND

TEMPERATURE SWITCH CIRCUIT

WASH/RINSE	F-H	FF-H	FF-C	F-D
H/C	X			
W/C	X		X	
C/C		X	X	
W/W		X	X	
R/C/C			X	X
R/W/C	X			X
R/W/W		X		X

H=HOT R=REGULATED
C=COLD
W=WARM



SPEED SWITCH CIRCUIT

AGIT/SPIN	1-5	1-4	2-4	2-5	1-3
N/F	X			X	
G/F		X	X	X	
G/S			X	X	
EG/S					X

N=NORMAL F=FAST EG=EXTRA GENTLE
G=GENTLE S=SLOW

OPTION SWITCH

POS	OPTION	1-9	1-3	5-4	5-2
1	POWER SCRUB/EXTRA RINSE			X	X
2	EXTRA RINSE	X	X		
3	POWER SCRUB		X		X
4	OFF	X	X		

X=SWITCH CLOSED