

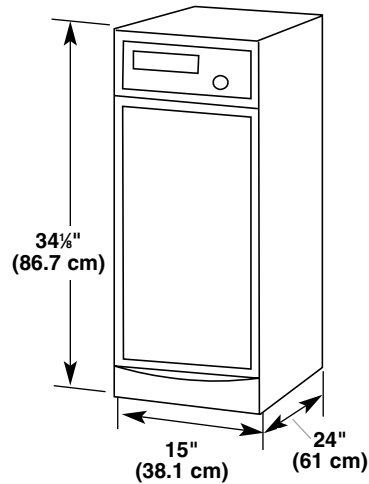
# KitchenAid® Compactor

## PRODUCT MODEL NUMBERS

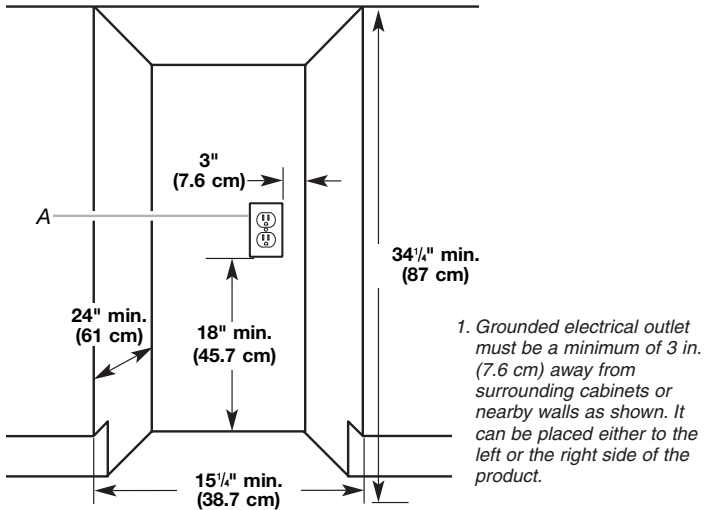
KCCC151J      KUCP02IR  
 KFCP02IR      KUCS02CR  
 KUCC151J

**Electrical:** 115-volt, 60-Hz, AC-only, 15- or 20-amp grounded circuit is required. A time-delay fuse or circuit breaker and separate circuit is recommended.

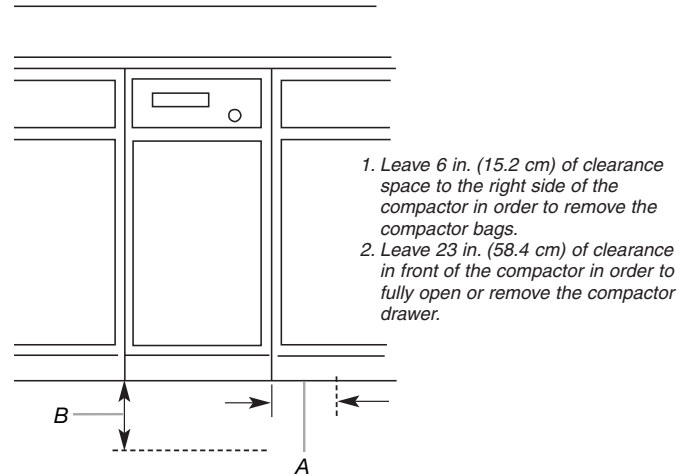
## OVERALL DIMENSIONS



## CABINET OPENING DIMENSIONS



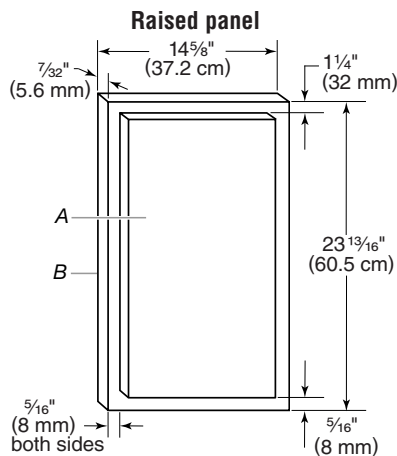
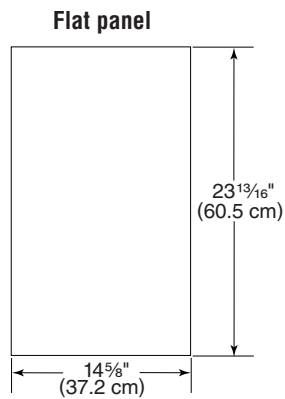
## CLEARANCE DIMENSIONS



## CUSTOM PANELS

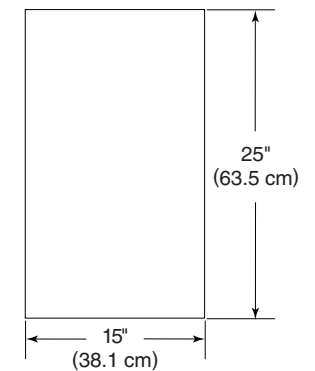
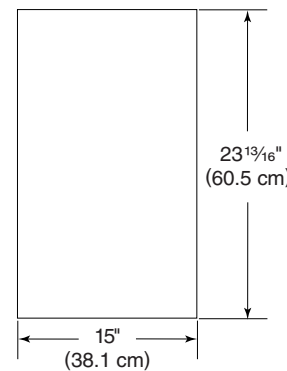
### With Trim Kit

### Without Trim Kit



### Models with handles

### Models without handles



A 7/32 in. (5.6 mm) thick panel is required. This is the same thickness as a standard 1/4 in. plywood or paneling.

A. Raised panel or decorative trim  
 B. Outer section of panel

The outer section of panel must be 7/32 in. (5.6 mm) thick to fit into trim. Design raised panel sections using dimensions shown above.

Panel should be 1/2 to 5/8 in. (13 to 16 mm) thick. NOTE: A thicker panel may need rounded front corners and a cutout for access to the handle.

Panel should be 1/2 in. (13 mm) min. thickness