



Use & Care Guide

Built-In Dishwasher

Guía de Uso y Cuidado

Lavavajillas Empotrado

Guide d'utilisation et d'entretien

Lave-vaisselle encastré



 **Electrolux**

MAKE A RECORD FOR FUTURE USE

Brand Electrolux

Purchase Date _____

Model Number _____

Serial Number _____

NOTE

See the Features Overview on page 7 for the location of the serial label which lists your product's serial number.

QUESTIONS?

1-877-4Electrolux (United States and Canada)

INTERNET

For online support and product information, in the U.S. visit www.electroluxusa.com. In Canada, visit www.electroluxca.com.

4 Finding Information

TABLE OF CONTENTS

Finding Information	3	Solutions to Common Problems	23
Make a Record for Future use	3	Food Soils Left on Dishes	23
Questions?	3	Dishes Not Dry	23
Internet	3	Glassware/Flatware Spotted or Cloudy	24
Table of Contents	4	Dishware Chipped	24
Safety	5	Dishware Stained or Discolored	25
Important Safety Instructions	5	Etching	25
Feature Overview	7	Detergent Left in Cups	25
How your Dishwasher Cleans	7	Dishwasher Leaks	26
Operating Instructions	8	Normal Sounds You Will Hear	26
Getting Started	8	Water in Bottom of Tub	26
Normal Operating Sounds	8	Dishwasher Won't Run	26
Wash Cycle Selections	9	Dishwasher Does Not Drain Properly	27
Cycle Selections	9	Cycle Takes a Long Time	27
Energy Option Selections	10	Dishwasher Won't Fill	27
Operation Selections	11	Dishwasher Has an Odor	27
Status Window	12	Removing Spots and Film	28
Preparing & Loading Dishes	13	Warranty Information	29
Dish Preparation	13	Spanish Version	31
Loading the Top Rack	13	French Version	59
Loading the Bottom Rack	14		
Adjusting Rack Height	15		
Loading the Silverware Basket	16		
Adding a dish	16		
Dishwasher Dispenser & Detergents	17		
Filling the Detergent Dispenser	17		
How much Detergent to use	17		
Detergent Usage Guide	18		
Rinse Aid	19		
Factors Affecting Performance	20		
Water Pressure	20		
Water Temperature	20		
Care & Cleaning	21		
Outside	21		
Inside	21		
Winterizing	22		

IMPORTANT SAFETY INSTRUCTIONS

Please read all safety instructions before using your new Electrolux dishwasher.

WARNING

To reduce the risk of fire, electrical shock, or injury when using your dishwasher, follow basic precautions including the following:

- Read all instructions before using your dishwasher.
- Use your dishwasher only as instructed in this Use and Care Manual.
- This manual does not cover every possible condition and situation that may occur. Use common sense and caution when installing, operating and maintaining any appliance.
- National Sanitation Foundation (NSF) certified residential dishwashers are not intended for licensed food establishments. Such establishments require a higher dishwasher water temperature to meet commercial sanitization requirements.
- **DISHWASHER MUST BE ELECTRICALLY GROUNDED.** Read the Installation Instructions for details.
- This dishwasher is designed to operate on regular house current (120 V, 60 Hz). Use a circuit equipped with a 15 ampere fuse or circuit breaker. Use a 20 ampere fuse if dishwasher is connected with a food waste disposer.
- Do not operate dishwasher unless all enclosure panels are in their proper place as explained in the Installation Instructions provided with your dishwasher.
- To avoid entrapment and/or suffocation, remove the door to the washing compartment when removing an old dishwasher from service or discarding it.
- Keep young children and infants a safe distance away from the dishwasher when it is in operation.
- Use only detergents and rinse agents recommended for use in a dishwasher.
- Do not abuse, sit on, or stand on the door or dish rack of the dishwasher.

6 Safety

- Store dishwasher detergent and rinse agents out of the reach of children.
- Do not wash plastic items unless marked “dishwasher safe” or the equivalent. Check with manufacturer for recommendations, if not marked. Items that are not dishwasher safe may melt and create a potential fire hazard.
- If the dishwasher drains into a food disposal, make sure disposal is completely empty before running dishwasher.
- Disconnect electrical power to dishwasher before servicing.
- Repairs should be done by a qualified Electrolux professional.
- Do not tamper with controls.
- Use care unloading the dishware when the SANITIZE option has been selected. Contents may be hot to the touch immediately after the end of cycle.
- When loading items to be washed:
 - Locate sharp items and knives so that they are not likely to damage the tub or door seal; and
 - Load sharp items and knives with the handles up to reduce the risk of cut-type injuries. Alternatively, place sharp items and knives in the utensil shelf located in the upper rack.
- Under certain conditions, hydrogen gas may be produced in a hot water system that has not been used for 2 weeks or more. **HYDROGEN GAS IS EXPLOSIVE.** If hot water system has not been used for such a period, before using dishwasher, turn on all hot water faucets and let water flow from each for several minutes. This will release any accumulated hydrogen gas. **HYDROGEN GAS IS FLAMMABLE.** Do not smoke or use an open flame during this time.
- Do not store or use combustible materials, gasoline or other flammable vapors and liquids in the vicinity of this or any other appliance.

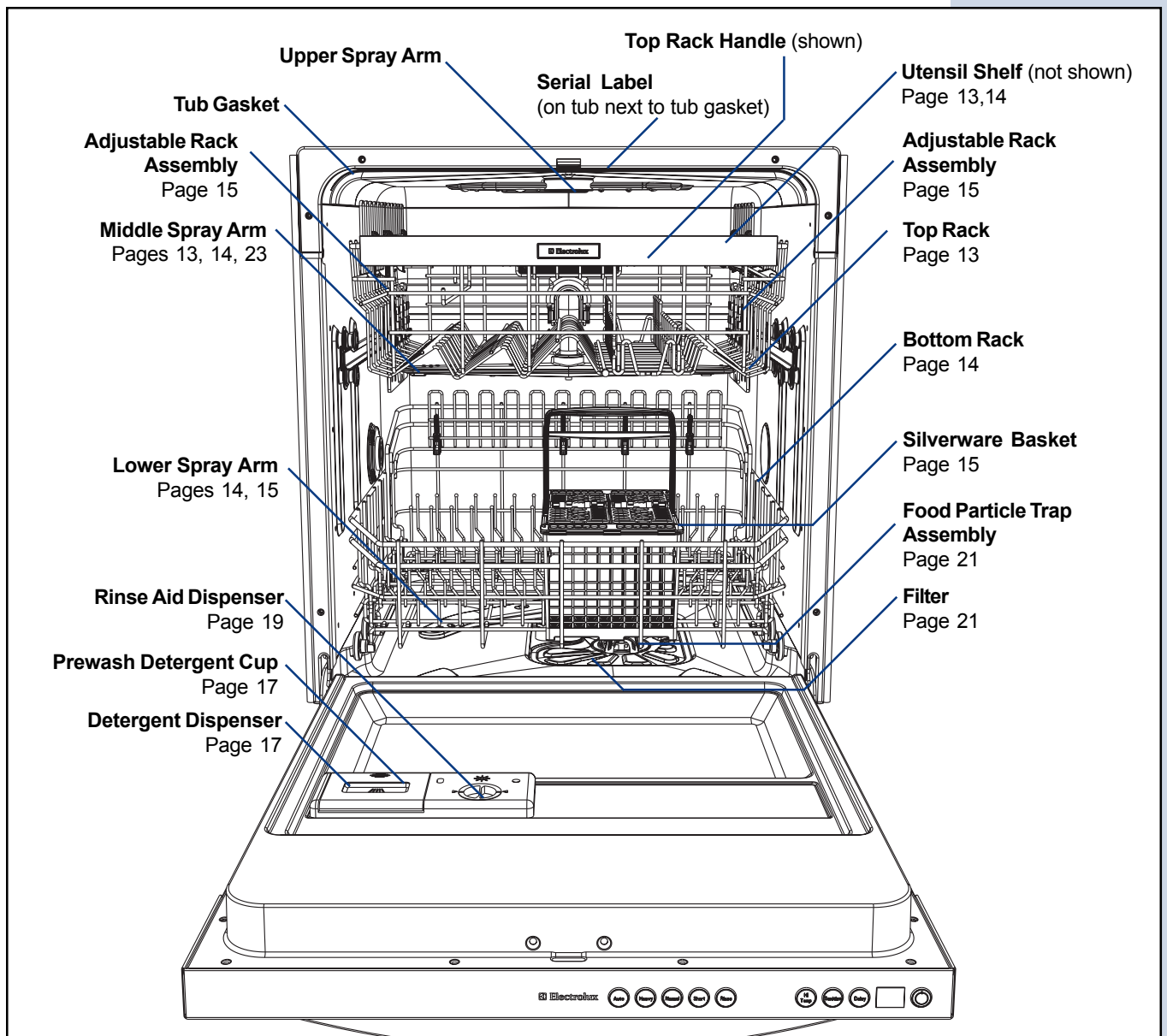
NOTE

SAVE THESE IMPORTANT SAFETY INSTRUCTIONS FOR FUTURE REFERENCE.

HOW YOUR DISHWASHER CLEANS

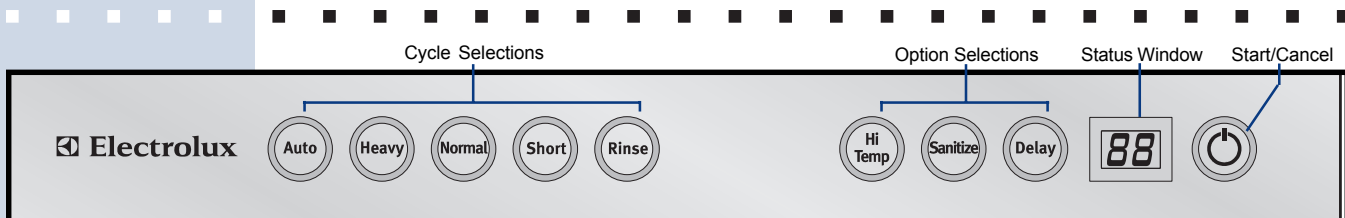
Your dishwasher cleans by spraying a mixture of hot water and detergent through the spray arms against soiled surfaces. Each cycle begins with a pre-drain.

Next, the dishwasher fills with water covering the filter area. Water is then pumped through the filter and spray arms. Soil particles go down the drain as the water is pumped out and replaced with clean water. The number of water fills will vary with the cycle being used.



8 Operating Instructions

GETTING STARTED



To run your dishwasher, follow these basic steps:

- 1 Load dishwasher. (See Preparing and Loading Dishes, pages 13-16.)
- 2 Add detergent. (See Dishwasher Dispenser & Detergents, pages 17-18.)
- 3 Add rinse aid, if needed. (See Rinse Aid, page 19.)
- 4 Select desired CYCLE. (See Cycle Selections, page 9.)
The light surrounding the pad glows when selected.

NOTE

The lights surrounding the pads will only glow when the door is open because the dishwasher is designed to have the controls hidden under the countertop.

- 5 Select desired OPTIONS. (See Energy Options Selections, page 10.)
The light surrounding the pad will glow when selected.
- 6 To start, press START/CANCEL pad and close door. (See Start/Cancel, page 11.)

NOTE

The dishwasher is programmed to remember your last cycle so you do not have to reset each time. To start the dishwasher using the same cycle and options selected on the previous wash, press the START/CANCEL pad.

NORMAL OPERATING SOUNDS

Your dishwasher uses energy efficient motors for the wash and drain portions of the cycle you select. Each cycle has a series of water fills and drains for washing and rinsing dishes. As each cycle begins, you may—or may not—hear the drain motor. You may also hear the splashing water as it enters the tub and the spray arms as they rotate and circulate water. The wash motor often pulsates throughout the cycle, which varies water pressure and optimizes performance.

WASH CYCLE SELECTIONS

Cycle times are approximate and vary by options selected. Hot water is necessary to activate dishwasher detergent and melt fatty food soils.

An automatic sensor checks the incoming water temperature for the main wash of each cycle, delaying the timer if necessary, until the water is hot enough. When HI-TEMP WASH is selected, the sensor checks for an even higher temperature.

CYCLE SELECTIONS

The Smart Sensor checks the soil level on your dishes in the Auto, Heavy, Normal and Short Wash cycles. Depending on soil level, the sensor will determine if additional water fills are needed to clean the dishes or if water fills can be deleted. Cycle time and water usage will vary based on the amount of soil on the dishes. Cycle time will also vary based on the options selected and the incoming water temperature.

Auto Wash

When a partial load of lightly soiled dishes is placed in the unit, a wash cycle similar to a short wash will automatically be performed. When a full load of heavily soiled dishes is placed in the unit, a heavy wash cycle will automatically be performed. The dishwasher's Smart Sensor technology will determine the type of cycle required to clean the dishes and will clean more efficiently every time. Water usage ranges from 3.7 to 7.3 gallons. Wash time ranges between 1.2 and 1.6 hours.

Heavy Wash

For pots, pans, casseroles and dinnerware with dried-on or baked-on soils. Water usage ranges from 6.1 to 7.3 gallons. Wash time ranges between 1.5 and 1.6 hours.

Normal Wash

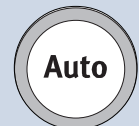
For regularly soiled dishes and silverware. Water usage ranges from 4.9 to 7.3 gallons. Wash time ranges between 1.3 and 1.6 hours.

Short Wash

For lightly soiled and pre-rinsed dishes and silverware. Water usage ranges from 3.7 to 6.1 gallons. Wash time ranges between 1.2 and 1.5 hours.

Rinse

For rinsing dishes that will be washed later. Water usage is 2.4 gallons. Cycle time is approximately 20 minutes.



10 Operating Instructions

ENERGY OPTION SELECTIONS



Hi-Temp Wash

When HI-TEMP WASH option is selected, the dishwasher heats water in the main wash to approximately 140°F (60°C).

This increase in water temperature helps dishwasher detergent remove food, grease and soil from dishes more effectively and aids in drying. HI-TEMP WASH option can be used with all cycles except RINSE.

When HI-TEMP WASH option is selected, the light surrounding the pad will come on and remain on until end of cycle.

To turn off the HI-TEMP WASH option, press the pad a second time. The light surrounding the pad will turn off.



Sanitize

To sanitize your dishes and glassware, select the SANITIZE option. When selected, the light surrounding the pad will remain lit until the START/CANCEL pad is pressed or the door is closed. This option heats the water temperature in the final rinse to 155°F (68°C) and maintains that temperature for 9 minutes. SANITIZE is available in Auto Wash, Heavy Wash, Normal Wash and Short Wash cycles. Only these sanitization cycles have been designed to meet NSF requirements.

The cycle time will be extended until the proper water temperature is reached. Washing action will continue during the water heating delay. For best results, the incoming water temperature should be at least 120°F (49°C).

The light surrounding the pad will not illuminate at the end of the cycle if the NSF requirements for sanitization are not reached. The sanitization criteria may not be satisfied if there is an interruption of the cycle, a power failure occurs, or if the incoming water temperature is below 120°F (49°C).

To turn off the SANITIZE option, press the pad a second time. The light surrounding the pad will turn off.

OPERATION SELECTIONS

Delay Start

The DELAY START option allows you to automatically delay starting your dishwasher from 1 to 24 hours.

Press the DELAY START pad until the desired delay time shows in the STATUS window. A light will come on indicating the delay start hours and will remain on until cycle starts.

To cancel the DELAY START option and begin the cycle before the delay period is over, press the START/CANCEL pad.

Start/Cancel

To start a cycle, press the START/CANCEL pad once and close the door.

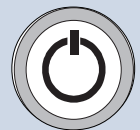
To cancel when a cycle is running, open the door and press the START/CANCEL pad once. Close the door again and the dishwasher will drain and shut off.

NOTE

Opening the door during normal operation will only pause the selected cycle.

Chime

Your dishwasher is equipped with a chime to audibly indicate when you have pressed a cycle or selected an option. The chime also signals the completion of the selected cycle. Press the SHORT and RINSE pads simultaneously to turn the chime on and off.



12 Operating Instructions

STATUS WINDOW



The STATUS window displays codes typically seen during normal operation or programming of the dishwasher. The window will not display anything when the door is closed. The STATUS window indicates the following activity:

- 1-24** Indicates number of delay start hours for selected cycle.
- CL** Flashes once the program has been entered and the START/CANCEL pad is pressed. It also flashes if the door is opened during a wash cycle. Close the dishwasher door to begin or continue a wash cycle.
- HO** Flashes to indicate a water heat delay.
- PF** Appears in window when dishwasher is first installed, or when power has been interrupted. HI-TEMP WASH, SANITIZE and START/CANCEL backlighting will also flash. To clear, touch START/CANCEL pad.
- CF** Appears in window when user must remove and clean filter. Once filter is cleaned and replaced, dishwasher will continue normal operation. (See Care and Cleaning, page 21.)
- On** Appears in window if chime is activated. Press the SHORT and RINSE pads simultaneously to activate chime.
- OF** Appears in window if chime is deactivated. Press the SHORT and RINSE pads simultaneously to deactivate chime.
- LO** Appears in window if rinse aid level is low. Add rinse aid. (See Rinse Aid, page 19.)

DISH PREPARATION

Scrape away large pieces of food, bone, pits, toothpicks, etc. The wash system will remove remaining food particles. Gently scrape away burned-on food with a non-scratch utensil or set dish soak before washing. Empty liquids from glasses and cups.

Foods containing vegetable oil and/or chemical additives such as mustard, mayonnaise, vinegar, lemon juice or tomato-based products may cause discoloration of stainless steel and plastics if allowed to sit for a long period of time. Unless the dishwasher is to be operated at once, it is best to rinse off these food soils.

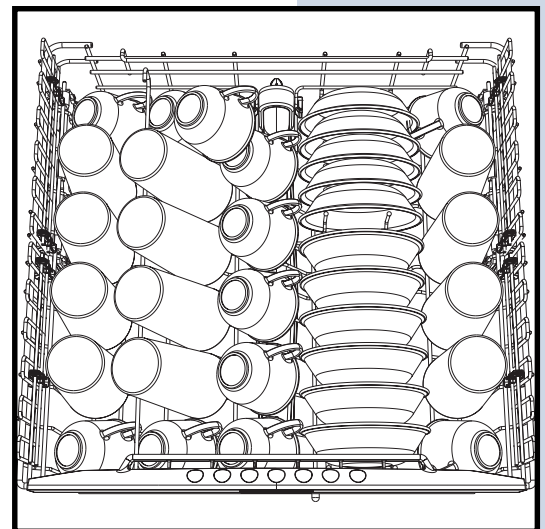
- Load racks so that large items do not prevent the detergent dispenser from opening.
- Check manufacturer's recommendations before washing items in question.
- If the dishwasher drains into a food disposal, **be sure disposal is completely empty before starting dishwasher.**



LOADING THE TOP RACK

The top rack is designed for flexibility in loading a wide variety of items including cups, glasses, stemware, small plates, bowls, etc.

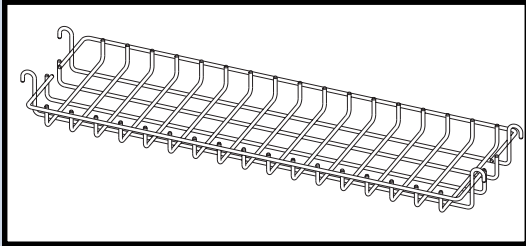
- Load glasses in top rack. Damage may occur if placed in bottom rack.
- Load items with open ends facing down for better cleaning and draining.
- Damage may occur if delicate items touch each other during dishwasher operation.
- Long-handled knives and utensils can be placed in the top rack's utensil shelf.
- Be sure nothing protrudes through the bottom of the rack to block rotation of middle spray arm.



14 Preparing & Loading Dishes

Utensil Shelf

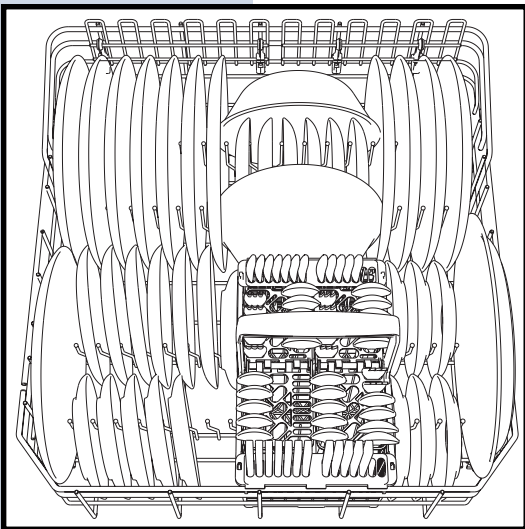
The utensil shelf can be used in the upper rack to hold spatulas, large spoons and other large utensils.



NOTE

Features in your dishwasher's model may vary in appearance from illustrations in this manual.

LOADING THE BOTTOM RACK



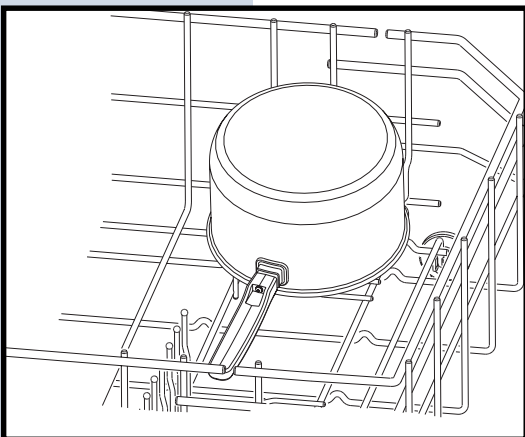
The bottom rack is designed for plates, saucers, bowls, and cookware.

- Large items should be placed along the edge so they do not block the middle spray arm rotation.
- For best results, place bowls, casseroles, and sauce pans with soiled surface facing down or toward the center. Tilt slightly for better drainage.
- Make sure tall items do not block middle spray arm rotation.
- Be sure pan handles do not protrude through the bottom of the rack and block the lower spray arm rotation.
- Additional utensils or cups may be placed on the rear cupshelves.

Fold-down Tines

The fold-down tines in the lower rack make easy loading for those extra large and hard-to-fit items. The tines may be left up for normal use or folded down for more flexible loading.

Fold tines down for ease in loading large pots or pans.



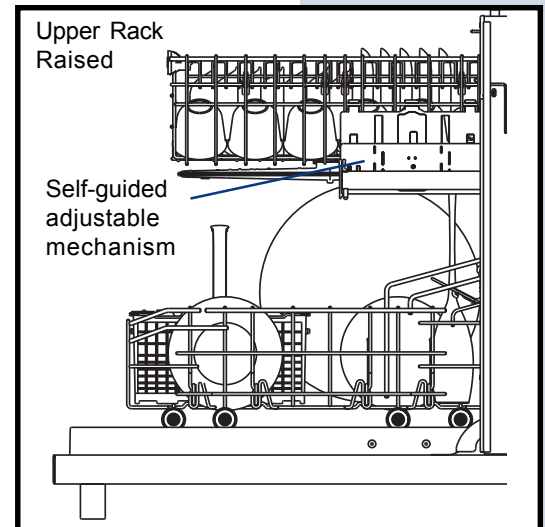
ADJUSTING RACK HEIGHT

The top rack height can be easily adjusted to accommodate loading taller dishes in either rack. Height can be adjusted with or without dishes in the racks.

To accommodate taller dishes in the bottom rack, raise the rack height as follows:

- 1 Lift top rack on each side, pulling toward the middle into the upper position. The self-guided adjusting mechanism will stop when the upper height position is reached.

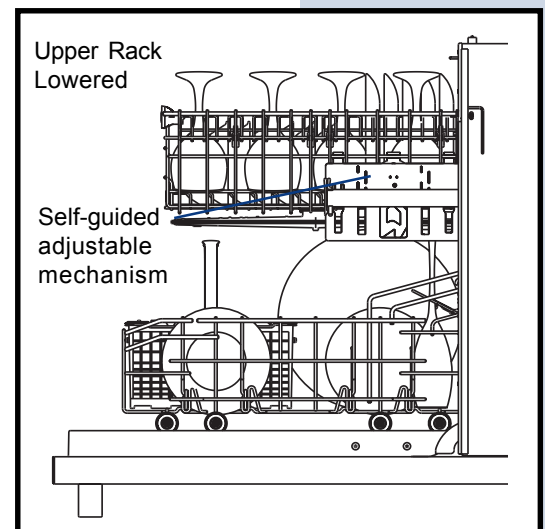
The upper position provides nearly 2 inches of additional height for items in the bottom rack.



To accommodate taller dishes in the top rack, lower the top rack height as follows:

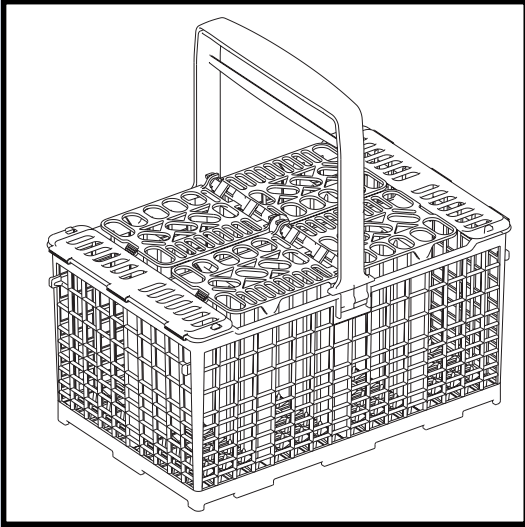
- 1 Lift rack on each side, pulling toward the middle, until it lifts slightly.
- 2 Gently lower the rack into the lower position. The self-guided adjusting mechanism will stop when the lower height position is reached.

This position provides nearly 2 inches of additional height for items in the top rack.



16 Preparing & Loading Dishes

LOADING THE SILVERWARE BASKET

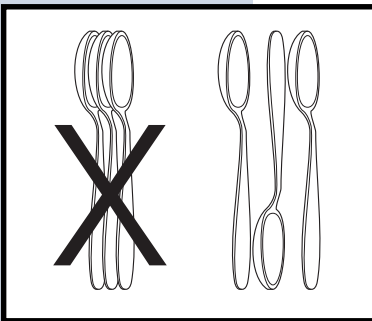


Load the silverware basket while it is in the bottom rack or take the basket out for loading on a counter or table.

- Place small items like baby bottle caps, jar lids, corn cob holders, etc., in a covered section. Close the cover to hold small items in place.
- Be sure nothing protrudes through bottom of basket or rack to block the lower spray arm.
- Do not mix silver and stainless items to avoid damaging the silver finish.

CAUTION

TO AVOID CUT INJURY: Load sharp items (knives, skewers, etc.) pointing down. Failure to do so may result in injury.



When covers are up, mix non-sharp items in each section of the basket with some pointing up and some down to avoid nesting. Water spray cannot reach nested items.

ADDING A DISH

To add or remove items after wash cycle starts:

- 1 Open door slightly and wait a few seconds until wash action stops before completely opening.
- 2 Add the item.
- 3 Close door firmly to latch and cycle will automatically resume.

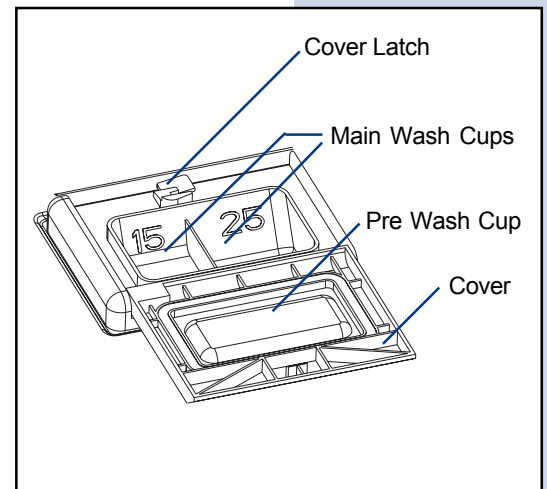
CAUTION

TO AVOID BURN INJURY: Slightly open door and wait until spray arms and wash action stop. Hot water may splash out of dishwasher. Failure to do so may result in injury.

FILLING THE DETERGENT DISPENSER

The detergent dispenser has two covered cups. Fill one cup for small loads. Fill both cups for larger loads. Close cover and add detergent to the indented section in the cover for a prewash. Detergent in the prewash section of the cover falls into the dishwasher when the door is closed. The covered cups open automatically to release detergent.

- Use only automatic dishwashing detergent. Other detergents will cause oversudsing.
- When using automatic dishwashing detergent tabs, place one tab in main wash cups and close.
- Add detergent just before starting cycle.
- Store detergent in a cool, dry location. Moist or caked detergent will not dissolve properly.



HOW MUCH DETERGENT TO USE

The amount of detergent to use depends on the water hardness. *Water hardness is measured in grains per gallon (gpg)*. “Hard water” contains large amounts of harsh minerals in granulated form, above 10-11 grains per gallon (gpg), which can affect water quality.

Using too little detergent can result in poor cleaning and hard water filming or spotting. Using too much detergent in soft water can cause a permanent film called “etching.” (See Etching, page 25.)

Your local water company, water softener company or county extension agent can tell you the water hardness in your area.

18 Dishwasher Dispenser & Detergents

DETERGENT USAGE GUIDE

Refer to the following table for recommended detergent usage.

Cycle	Soft Water (0-3 Grains)	Medium Hard Water (4-8 Grains)	Hard Water (9-12 Grains)	Very Hard Water* (Over 12 Grains)
Heavy Wash or Normal Wash	2 Teaspoons (Main Wash Cup – ¼ Full)	5 Teaspoons (Main Wash Cup – fill to line above “Regular”)	8 Teaspoons (Main Wash Cup Completely Full)	Each Cup – Completely Full (Water Softener Recommended)
Short Wash	2 Teaspoons (Main Wash Cup – ¼ Full)	5 Teaspoons (Main Wash Cup – fill to line above “Regular”)	8 Teaspoons (Main Wash Cup completely full)	Main Wash Cup – Completely Full (Water Softener Recommended)
Rinse	No Detergent	No Detergent	No Detergent	No Detergent (Water Softener Recommended)

As shown in the last column of this table, a water softener is recommended to improve water quality and dishwashing performance when using very hard water.

Other suggestions:

- Try adding more detergent at the beginning of the main wash portion of the cycle.
- As a rule, use 1 teaspoon for each grain above 12. Unlatch the door, open slowly and add detergent to the bottom of the tub.
- Close the door to latch and the dishwasher will continue through the cycle.

RINSE AID

Rinse aid greatly improves drying and reduces water spots and filming. It causes the water to “sheet” off of dishes rather than form water droplets that cling and leave spots.

The rinse aid dispenser, located next to the detergent cup, automatically releases a measured amount of rinse aid during the last rinse. If spotting and poor drying are problems, increase the amount of rinse aid dispensed by rotating the dial to a higher number. The dial is located under the dispenser cap.

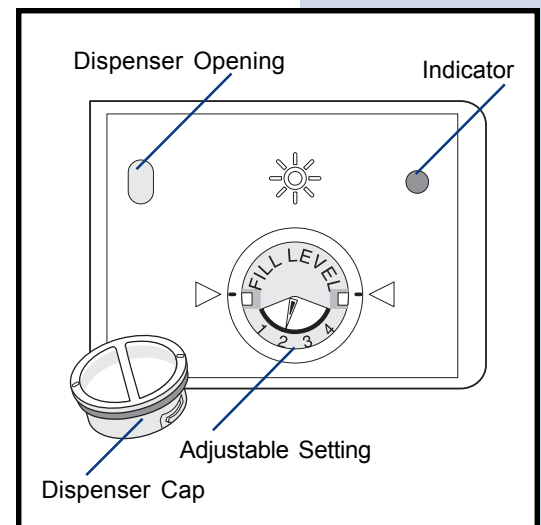
The indicator turns dark when full and clear when it is time to refill.

On models with a STATUS window, LO displays at the end of the cycle, indicating that it is time to refill.

To add liquid rinse aid:

- 1 Turn dispenser cap 1/4 turn counterclockwise and lift out.
- 2 Pour in rinse aid until liquid touches the indicated fill level. Do not overfill since this can cause oversudsing.
- 3 Replace cap.
- 4 Wipe up any spills with a damp cloth.

The dispenser holds enough for 35 to 140 washes, depending on setting.



20 Factors Affecting Performance

WATER PRESSURE

The hot water line to dishwasher must provide water pressure between 20 and 120 pounds per square inch (psi).

Low water pressure may occur when laundry or showers are in operation. Wait until water use is reduced before starting dishwasher.

WATER TEMPERATURE

Hot water is needed for best dishwashing and drying results. Water entering the dishwasher should be at least 120°F (49°C) to give satisfactory results.

To check water temperature entering the dishwasher:

- 1 Turn on hot water faucet nearest dishwasher for several minutes to clear cool water from pipes.
- 2 Hold a candy or meat thermometer in stream of water to check the temperature.
- 3 If temperature is below 120°F (49°C), have a qualified person raise the water heater thermostat setting.

IMPORTANT

Before starting a cycle, run hot water to clear cool water from pipe.

OUTSIDE

Occasionally wipe the outside surfaces of your dishwasher with a mild nonabrasive detergent and water. Rinse and dry.

Stainless Steel Door

Clean the stainless steel door and handle with hot, soapy water and a dishcloth. Rinse with clean water and a cloth. Do not use harsh scrubbing cleaners. Use only kitchen cleaners made especially for cleaning stainless steel.

INSIDE

Remove spots on the door and tub with a damp, nonabrasive cloth. If needed, clean around the tub gasket area with a damp cloth.

IMPORTANT

Read before operating your dishwasher!

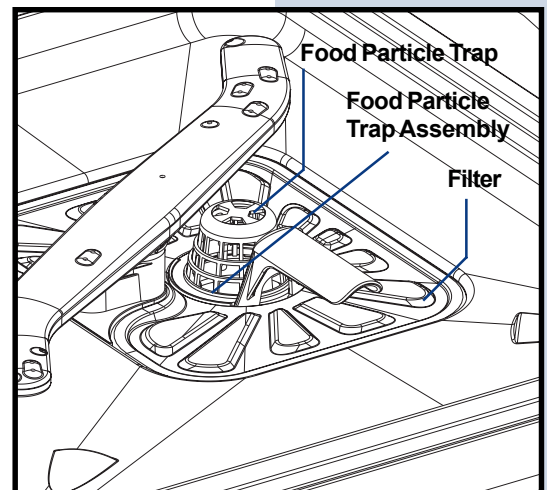
Care of Filter

Your dishwasher is equipped with a state of the art wash system. The invisible direct feed wash system delivers water using pulse wash technology resulting in a quiet, more efficient wash.

Periodically, the filter and food particle trap assembly may need to be cleaned to maximize wash performance. Your dishwasher may indicate this need by flashing "CF" in the display window. Remove, clean and replace filter and food particle trap assembly as instructed below.

To Clean Filter:

- 1 Clear the filter and food particle trap assembly of all debris.
- 2 Remove the food particle trap assembly by rotating the handle 90° in a counterclockwise direction and clean with water and mild soap.
- 3 Lift filter to remove being careful to prevent any food from falling into drain pump area. Clean with water and mild soap.
- 4 Replace filter and food particle trap assembly.
- 5 Rotate and lightly pull the food particle trap assembly 90° in a clockwise direction to ensure the assembly locks in place.



22 Care & Cleaning

Care of Drain Air Gap

If a drain air gap was installed for your built-in dishwasher, check to make sure it is clean so the dishwasher will drain properly. A drain air gap is usually mounted on the sink at the countertop and can be inspected by removing the cover. This is not part of your dishwasher and is not covered by warranty.

CAUTION

Freezing temperatures may cause water lines to rupture. Be sure all supply lines to and circulating lines within dishwasher are protected. Failure to do so could result in property damage.

WINTERIZING

A dishwasher left in an unheated place should be protected from freezing. Have a qualified person do the following:

To Disconnect Service:

- 1 Turn off electrical power to the dishwasher at the supply source by removing fuses or tripping circuit breaker.
- 2 Shut off water supply.
- 3 Place a pan under the inlet valve. Disconnect water line from inlet valve and drain into pan.
- 4 Disconnect drain line from pump and drain water into pan.

NOTE

See Installation Instructions for more details.

To Restore Service:

- 1 Reconnect the water, drain, and electrical power supply.
- 2 Turn on water and electrical power supply.
- 3 Fill both detergent cups and run dishwasher through a HEAVY WASH cycle.

NOTE

See Installation Instructions for more details.

IMPORTANT

Before calling for service, review this list. It may save you both time and expense. This list includes common experiences that are not the result of defective workmanship or material in your dishwasher.

FOOD SOILS LEFT ON DISHES

- Check incoming water temperature. (See Getting Started, page 8.) It should be at least 120°F (49°C). (See Factors Affecting Performance, page 20.)
- Choose another cycle for longer washing time.
- Check rack loading section for proper loading—avoid nesting items.
- Home water pressure may be too low—should be 20 to 120 pounds per square inch (psi).
- Check water hardness. For extremely hard water, it may be necessary to install a water softener. (See Detergent Usage Guide, page 18.)
- Use fresh detergent.
- Make sure items are not blocking any of the spray arms, preventing them from rotating.

DISHES NOT DRY

- Make sure the rinse aid dispenser is filled.
- Increase the amount of rinse aid (See Rinse Aid, page 19).
- Check the incoming water temperature. Be sure it is at least 120°F (49°C).
- Check for proper loading—avoid nesting items.
- Plastic items may need to be towel dried. More water collects on plastic items when cycle is complete because they do not get as hot as glass or metal items.
- Cups with a concave bottom will collect water.

24 Solutions to Common Problems

GLASSWARE/FLATWARE SPOTTED OR CLOUDY

- Check water hardness. For extremely hard water, it may be necessary to install a water softener. (See Detergent Usage Guide, page 18.)
- Water temperature may be low. Avoid extremely low or high temperatures. (See Factors Affecting Performance, page 20.)
- Avoid overloading and improper loading. (See Preparing and Loading Dishes, pages 13-16.)
- Use fresh detergent. Old detergent is ineffective.
- Make sure rinse aid dispenser is filled.
- Check to see that proper amount of detergent is being used for cycle selected. (See Detergent Dispenser, page 17.)
- Home water pressure may be too low—it should be 20 to 120 pounds per square inch (psi).

DISHWARE CHIPPED

- Load with care and do not overload. (See Preparing and Loading Dishes, pages 13-16.)
 - Place delicate items in top rack.
 - Place glasses securely against pins and not over pins.
 - Load items so they are secure and don't jar loose when moving racks in and out. Move racks in and out slowly.
 - Make sure tall glasses and stemware will clear top of tub when rack is pushed in.
 - It is recommended to wash fine antique china and crystal by hand.
-

DISHWARE STAINED OR DISCOLORED

- Tea and coffee can stain cups. Remove the stains by hand washing in a solution of 1/2 cup (120 ml) bleach and one quart (1 L) of warm water. Rinse thoroughly.
- Iron deposits in water can cause a yellow or brown film. A water filter installed in-line with your water supply will correct this problem.
- Aluminum utensils can leave gray/black marks when they rub against other items. Load properly.
- Certain high acid foods can cause discoloration of stainless steel and plastics if allowed to sit for a long period. Use the Rinse cycle or rinse by hand if not operating dishwasher at once.
- Mixing stainless steel and silver utensils in silverware basket can cause pitting of the stainless steel blades. Avoid mixing stainless steel and silver.

ETCHING

- Using too much detergent in soft or softened water causes this film that cannot be removed.
- Adjust the amount of detergent based on the water hardness. (Check Detergent Usage Guide, page 18.)
- Lower the water temperature.

DETERGENT LEFT IN DISPENSER CUP

- Detergent may be old. Discard and use fresh detergent.
- Be sure water action can reach the dispenser.
- Check to see if cycle has been completed.
- Make sure items do not prevent the detergent dispenser from opening.
- Make sure the upper rack is firmly attached to the nozzle on the back of the tub before closing the door.

26 Solutions to Common Problems

DISHWASHER LEAKS

- Use only fresh detergent designed for automatic dishwashers. Measure detergent carefully. Try a different brand.
- Spilled rinse aid can cause foam and lead to overflowing. Wipe up any spills with a damp cloth.
- Check to see that dishwasher is level (See Installation Instructions).

NORMAL SOUNDS YOU WILL HEAR

- Normal sounds include water fill, water circulation and motor sounds.
- Pump pulsing will cause motor speed to increase and decrease at regular intervals during cycles.

WATER IN THE BOTTOM OF THE TUB

- It is not normal for water to remain in the bottom of the tub at the end of a cycle. If water remains in the bottom of the tub at the end of a cycle, the dishwasher may not be draining properly. (See Dishwasher Does Not Drain Properly, page 27.) The filter may also need to be cleaned. (See Care of Filter, page 21.) *Note: It is normal to see a small amount of water under the filter at the end of a cycle.*

DISHWASHER WON'T RUN

- Check to see if circuit breaker is tripped or if a fuse is blown.
 - Make sure water supply is turned on.
 - Check to see if cycle is set correctly. (See Operating Instructions, pages 8-12.)
 - Check to see if the DELAY START option has been selected.
 - Make sure door is closed and latched.
-

DISHWASHER DOES NOT DRAIN PROPERLY

- If unit is hooked up to a garbage disposal, make sure the disposer is empty.
- If unit is hooked up to a new food waste disposer, check to see if the “knockout” plug located inside the disposal inlet has been removed.
- Check to see if drain hose is kinked.
- Make sure cycle is complete, not in a pause.

CYCLE TAKES A LONG TIME

- Check to see if cycle is in a water heating delay.
- Check to see if the delay start option been selected.
- Check to see if the sanitize option been selected.

DISHWASHER WON'T FILL

- Check to see if the water supply is turned on.
- Add 1/2 cup of water to the bottom of the unit and start again.

DISHWASHER HAS AN ODOR

- Soiled dishes left in dishwasher too long can create an odor. Use Rinse cycle.
- There will be a “new” smell when first installed. This is normal.
- Check to see if unit is draining properly (See Dishwasher Does Not Drain Properly, page 27).

28 Solutions to Common Problems

REMOVING SPOTS AND FILM

Hard water can cause lime deposit buildup on the interior of the dishwasher. Dishes and glasses may also get spots and film for a number of reasons (See Glassware/Flatware Spotted or Cloudy, page 24).

To remove build-up, spots and film, clean using the following instructions:

- 1 Load clean dishes and glasses in normal manner. Do not load any metal utensils or silverware.
- 2 Do not add detergent.
- 3 Select the NORMAL WASH cycle. Press START/CANCEL pad and close door.
- 4 Allow dishwasher to run until it begins the second fill. Open door and pour 2 cups of white vinegar into the bottom of dishwasher.
- 5 Close and latch door and allow cycle to finish.

NOTE

If these conditions persist, a home water softener should be considered.

DISHWASHER WARRANTY *Your dishwasher is protected by this warranty*

	WARRANTY PERIOD	THROUGH OUR AUTHORIZED SERVICERS, WE WILL:	THE CONSUMER WILL BE RESPONSIBLE FOR:
1-YEAR FULL WARRANTY	One year from original purchase date.	Pay all costs for repairing or replacing any parts of this appliance which prove to be defective in materials or workmanship.	Costs of service calls that are listed under NORMAL RESPONSIBILITIES OF THE CONSUMER.*
5-YEAR LIMITED WARRANTY	Second through fifth years from original purchase date.	Replace any electronic control that fails due to manufacturing defect. Replace any original upper or lower nylon coated rack that peels or rusts due to a manufacturing defect. Replace major components in the water distribution system which fails due to a manufacturing defect. This includes the motor, pump and lower wash arm, upper spray arm with associated supply tube, and filter assembly. Associated inlet and drain plumbing parts are not covered by this warranty.	Costs for pickup and delivery of the product required because of service; and all costs for labor and transportation. Associated inlet and drain plumbing parts.
LIFETIME LIMITED WARRANTY	Lifetime of the product.	Provide a replacement tub or door liner if the original tub or door liner fails to contain water because of a manufacturing defect.	Door seals; any costs for pickup and delivery of the product required because of service; and all costs for labor and transportation.
LIMITED WARRANTY (Applicable to the State of Alaska)	Time periods listed above.	All of the provisions of the full warranties above and the exclusions listed below apply.	Costs of the technician's travel to the home and any costs for pick up and delivery of the appliance required because of service.

In the U.S.A., your appliance is warranted by Electrolux Home Products, Inc. We authorize no person to change or add to any of our obligations under this warranty. Our obligations for service and parts under this warranty must be performed by us or an authorized Electrolux Home Products, Inc. servicer. In Canada, your appliance is warranted by Electrolux Canada Corp.

***NORMAL RESPONSIBILITIES OF THE CUSTOMER**

This warranty applies only to products in ordinary household use, and the consumer is responsible for the items listed below:

1. Proper use of the appliance in accordance with instructions provided with the product.
2. Proper installation by an authorized servicer in accordance with instructions provided with the appliance and in accordance with all local plumbing, electrical and/or gas codes.
3. Proper connection to a grounded power supply of sufficient voltage, replacement of blown fuses, repair of loose connections or defects in house wiring.
4. Expenses for making the appliance accessible for servicing, such as removal of trim, cupboards, shelves, etc., which are not a part of the appliance when it was shipped from the factory.
5. Damages to finish after installation.

EXCLUSIONS

This warranty does not cover the following:

1. **CONSEQUENTIAL OR INCIDENTAL DAMAGES SUCH AS PROPERTY DAMAGE AND INCIDENTAL EXPENSES RESULTING FROM ANY BREACH OF THIS WRITTEN OR ANY IMPLIED WARRANTY.**
Note: Some states do not allow the exclusion or limitation of incidental or consequential damages, so this limitation or exclusion may not apply to you.
2. Service calls which do not involve malfunction or defects in workmanship or material, or for appliances not in ordinary household use. The consumer shall pay for such service calls.
3. Damages caused by services performed by persons other than from Electrolux Home Products, Inc., Electrolux Canada Corp., or their authorized servicers; use of parts other than genuine Electrolux parts; parts obtained from persons other than such servicers; or external causes such as abuse, misuse, inadequate power supply or acts of God.
4. Products whose serial number has been removed or altered and cannot be readily determined.

IF YOU NEED SERVICE

Keep your bill of sale, delivery slip, or some other appropriate payment record. The date on the bill establishes the warranty period should service be required. If service is performed, it is in your best interest to obtain and keep all receipts. This written warranty gives you specific legal rights. You may also have other rights that vary from state to state. Service under this warranty must be obtained by contacting Electrolux Home Products, Inc. or Electrolux Canada Corp.

This warranty only applies in the 50 states of the U.S.A. and Puerto Rico, and Canada. Product features or specifications as described or illustrated are subject to change without notice. All warranties are made by Electrolux Home Products, Inc. In Canada, your appliance is warranted by Electrolux Canada Corp.

ANOTE ESTOS DATOS PARA USO FUTURO

Marca Electrolux

Fecha de Compra _____

Número de Modelo _____

Número de Serie _____

NOTA

Vea Descripción de las Características en la página 35 para la ubicación de la etiqueta de serie que contiene el número de serie de su producto.

¿CONSULTAS?

1-877-4Electrolux (Estados Unidos y Canadá)

INTERNET

Para soporte en línea e información sobre el producto, en los EE.UU. visite www.electroluxusa.com. En Canadá, visite www.electroluxca.com.

TABLA DE MATERIAS

Donde Obtener Información	31	Soluciones a Problemas Comunes	51
Anote estos datos para uso futuro	31	Quedan manchas de alimentos	
¿Consultas?	31	en los platos	51
Internet	31	Los platos no se secan	51
Seguridad	34	Cuchillería o artículos de vidrio manchados	
Instrucciones importantes sobre seguridad	34	u opacos	52
Descripción de las Características	35	Vajilla dañada	52
Cómo funciona su lavavajillas	35	Vajilla manchada o descolorida	53
Instrucciones de Funcionamiento	36	Fisuras superficiales	53
Cómo usar el lavavajillas	36	Queda detergente en el compartimiento	
Sonidos normales de funcionamiento	36	del distribuidor	53
Selecciones de ciclos de lavado	37	El lavavajillas tiene escape	54
Selecciones de ciclos	37	Sonidos normales que usted escuchará	54
Selecciones de opciones de energía	38	Agua en el fondo de la tina	54
Selecciones de funcionamiento	39	El lavavajillas no funciona	54
Indicador visual	40	El lavavajillas no desagua bien	55
Preparación y Carga de la Vajilla	41	El ciclo demora demasiado tiempo	55
Preparación de los platos	41	El lavavajillas no se llena	55
Carga de la canastilla superior	41	El lavavajillas tiene un olor	55
Carga de la canastilla inferior	42	Para quitar películas y manchas	56
Ajuste de la altura de la canastilla	43	Información sobre la Garantía	57
Carga de la cestilla de la cuchillería	44	Version in English	3
Agregando un plato	44	Version en français	59
Distribuidor y Detergentes del Lavavajillas	45		
Llenado del distribuidor de detergente	45		
Cantidad de detergente necesaria	45		
Guía de uso del detergente	46		
Agente de enjuague	47		
Factores que Afectan el Rendimiento	48		
Presión del agua	48		
Temperatura del agua	48		
Cuidado y Limpieza	49		
Exterior	49		
Interior	49		
Preparación para el invierno	50		

INSTRUCCIONES IMPORTANTES SOBRE SEGURIDAD

Por favor lea todas las instrucciones de seguridad antes de usar su nuevo lavavajillas Electrolux.

ADVERTENCIA

A fin de reducir el peligro de incendio, choque eléctrico o lesión cuando use su lavavajillas, siga las precauciones básicas incluyendo las siguientes:

- Lea todas las instrucciones antes de usar su lavavajillas.
- Use su lavavajillas solamente como se indica en esta Guía de Uso y Cuidado.
- Este manual no cubre todas las posibles condiciones y situaciones que pueden ocurrir. Use sentido común y precaución cuando instale, haga funcionar y repare cualquier electrodoméstico.
- Los lavavajillas para uso doméstico certificados por la National Sanitation Foundation (Fundación Nacional de Sanidad - NSF) no están destinados para uso en establecimientos con venta de bebidas alcohólicas. Tales establecimientos necesitan un lavavajillas de temperatura más alta del agua para cumplir los requerimientos de esterilización comercial.
- EL LAVAVAJILLAS DEBE SER PUESTO A TIERRA. Lea los detalles en las instrucciones de instalación.
- Este lavavajillas ha sido diseñado para funcionar con la corriente normal del hogar (120 V, 60 Hz.). Use un circuito equipado con un fusible de 15 amperes o un disyuntor. Use un fusible de 20 amperes si el lavavajillas está conectado a un triturador de desperdicios de comidas.
- No ponga en marcha el lavavajillas a menos que todos los paneles de cerramiento estén instalados en sus lugares como se explica en las Instrucciones de Instalación provistas con su lavavajillas.
- A fin de evitar atrapamiento y/o asfixia, retire la puerta del compartimiento del lavado cuando se deshaga o ponga fuera de servicio un lavavajillas antiguo.
- Mantenga a los niños pequeños y bebés a una distancia prudente del lavavajillas cuando esté en funcionamiento.
- Use solamente detergentes y agentes de enjuague recomendados para uso en un lavavajillas.
- No abuse, ni se siente o se pare en la puerta o en la canastilla del lavavajillas.

34 Seguridad

- Guarde el detergente y los agentes de enjuague del lavavajillas fuera del alcance de los niños.
- No lave artículos de plástico a menos que estén marcados "resistentes al lavavajillas" o algo similar. Si no están marcados, consulte con el fabricante para obtener las recomendaciones. Los artículos que no son resistentes al lavavajillas pueden derretirse y crear un peligro potencial de incendio.
- Si el lavavajillas se desagua en un triturador de desperdicios de comidas, asegúrese de que el triturador está completamente vacío antes de poner en funcionamiento el lavavajillas.
- Desenchufe el lavavajillas antes de repararlo.
- Las reparaciones deben ser hechas por profesionales calificados de Electrolux.
- No modifique los controles.
- Tenga cuidado cuando retire la vajilla al terminar el lavado si se ha usado la opción 'SANITIZE' (Esterilizar). Los artículos pueden estar muy calientes si se tocan inmediatamente después de finalizado el ciclo.
- Cuando coloque en el lavavajillas los artículos que van a ser lavados:
 - Coloque los artículos afilados y los cuchillos de modo que no vayan a dañar la tina o la junta de la tina; y
 - Coloque los artículos afilados y los cuchillos con los mangos hacia arriba a fin de reducir el riesgo de sufrir cortaduras. Alternativamente, coloque los artículos afilados y los cuchillos en la cesta para utensilios que se encuentra en la canastilla superior.
- Bajo ciertas condiciones se puede producir gas hidrógeno en un sistema de agua caliente que no ha sido usado durante 2 o más semanas. EL GAS HIDROGENO ES EXPLOSIVO. Si el sistema del agua caliente no ha sido usado durante tal período, antes de usar el lavavajillas, abra todas las llaves del agua caliente y deje escurrir agua de cada una de ellas durante varios minutos. Esto aliviará cualquier gas hidrógeno acumulado. EL GAS HIDROGENO ES INFLAMABLE. No fume ni use una llama abierta durante este tiempo.
- No guarde ni use materiales combustibles, gasolina ni otros vapores inflamables en la cercanía de este o de cualquier otro electrodoméstico.

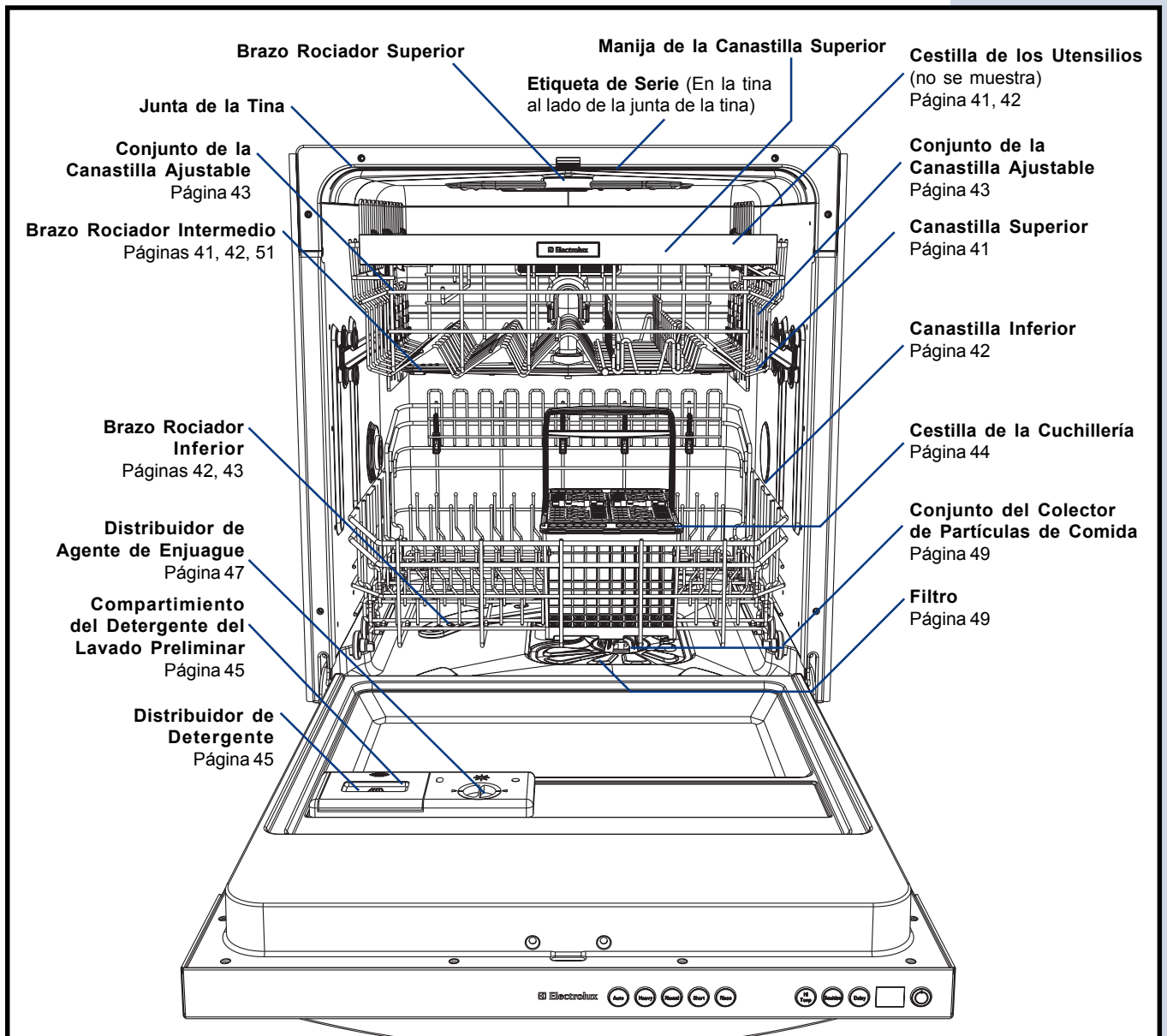
NOTA

CONSERVE ESTAS INSTRUCCIONES IMPORTANTES DE SEGURIDAD PARA REFERENCIA FUTURA.

COMO FUNCIONA SU LAVAVAJILLAS

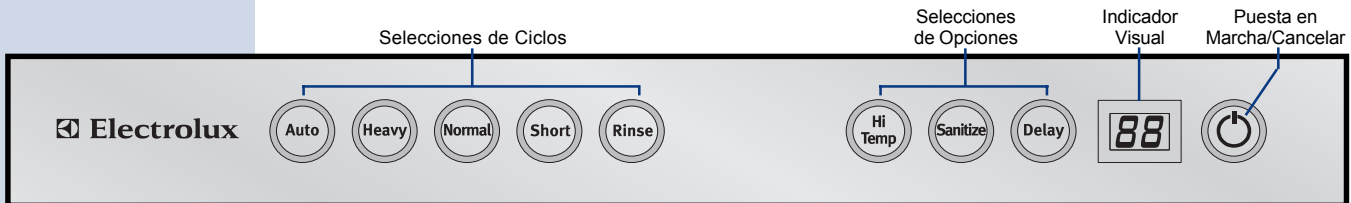
Su lavavajillas limpia rociando contra las superficies sucias una mezcla de agua caliente y detergente a través de los brazos rociadores. Cada ciclo comienza con un desagüe preliminar.

Después, el lavavajillas se llena con agua cubriendo el área de filtro. El agua luego es bombeada a través del filtro y de los brazos rociadores. Las partículas de suciedad se escurren por el desagüe a medida que el agua es bombeada hacia afuera y reemplazada con agua limpia. El número de llenados de agua variará según el ciclo que se use.



36 Instrucciones de Funcionamiento

COMO USAR EL LAVAVAJILLAS



Para hacer funcionar su lavavajillas, siga estos pasos básicos:

- 1 Cargue el lavavajillas. (Ver Preparación y Carga de la Vajilla, páginas 41-44.)
- 2 Agregue el detergente. (Ver Distribuidor y Detergentes del Lavavajillas, páginas 45-46.)
- 3 Agregue el agente de enjuague, si es necesario. (Ver Agente de Enjuague, página 47.)
- 4 Seleccione el CICLO deseado. (Ver Selecciones de Ciclos, página 37.)
La luz que rodea la tecla se iluminará cuando se oprima la tecla.

NOTA

Las luces que rodean las teclas se iluminarán solamente cuando se abre la puerta debido a que el lavavajillas ha sido diseñado con los controles ocultos debajo de la mesada.

- 5 Seleccione las OPCIONES deseadas. (Ver Selecciones de Opciones de Energía, página 38.) La luz que rodea la tecla se iluminará cuando se oprima la tecla.
- 6 Para poner en marcha, oprima la tecla 'START/CANCEL' y cierre la puerta. (Ver 'Start/Cancel', página 39.)

NOTA

El lavavajillas está programado para recordar el último ciclo de modo que no hay necesidad de programarlo cada vez. Para poner en marcha el lavavajillas, usando el mismo ciclo y las mismas opciones seleccionadas en el lavado anterior, oprima la tecla 'START/CANCEL'.

SONIDOS NORMALES DE FUNCIONAMIENTO

Su lavavajillas usa motores eficaces en el uso de la energía para las porciones de lavado y de desagüe del ciclo que haya seleccionado. Cada ciclo tiene una serie de llenados de agua y desagües para lavar y enjuagar los platos. A medida que cada ciclo comienza, usted puede o no oír el motor de desagüe. Usted además puede oír el sonido del agua a medida que entra en la tina y los brazos rociadores girando y circulando el agua. El motor del lavado a menudo pulsa a través del ciclo, lo cual varía la presión del agua y mejora el rendimiento.

SELECCIONES DE CICLOS DE LAVADO

La duración de los ciclos es aproximada y varía de acuerdo con las opciones seleccionadas. El agua caliente es necesaria para activar el detergente del lavavajillas y derretir la suciedad dejada por alimento grasosos.

Un sensor automático verifica la temperatura del agua de entrada para el lavado principal de cada ciclo, retrasando si es necesario el temporizador, hasta que el agua esté lo suficientemente caliente. Cuando se selecciona 'HI-TEMP WASH' (Lavado con Temperatura Alta), el sensor verifica que la temperatura sea aún más alta.

SELECCIONES DE CICLOS

El dispositivo 'Smart Sensor' verifica el nivel de suciedad de sus platos en los ciclos 'Auto' (Automático), 'Heavy' (Suciedad Intensa), 'Normal' (Suciedad Normal) y 'Short Wash' (Lavado Corto). Dependiendo del nivel de suciedad, el sensor determinará si se necesitan llenados de agua adicionales para lavar los platos o si es necesario suprimir algunos llenados de agua. La duración del ciclo y el consumo de agua variarán de acuerdo con la cantidad de suciedad de los platos. La duración del ciclo también variará según las opciones seleccionadas y la temperatura del agua de admisión.

'Auto Wash'

Cuando se coloca en el lavavajillas una carga parcial de platos ligeramente sucios, automáticamente se realizará un ciclo de lavado similar a un lavado corto.

Cuando se coloca una carga completa de platos muy sucios, automáticamente se realizará un ciclo de lavado intenso. La tecnología 'Smart Sensor' del lavavajillas determinará el tipo de ciclo requerido para lavar los platos y lavará más eficazmente cada vez. El consumo de agua varía de 3,7 a 7,3 galones. El tiempo de lavado varía entre 1,2 y 1,6 horas.

'Heavy Wash'

Para ollas, sartenes, cacerolas y platos con restos de alimentos resecos o quemados. El consumo de agua varía de 6,1 a 7,3 galones. El tiempo de lavado varía entre 1,5 y 1,6 horas.

'Normal Wash'

Para cuchillería y platos normalmente sucios. El consumo de agua varía de 4,9 a 7,3 galones. El tiempo de lavado varía entre 1,3 y 1,6 horas.

'Short Wash'

Para cuchillería y platos que han sido enjuagados y están ligeramente sucios. El consumo de agua varía de 3,7 a 6,1 galones. El tiempo de lavado varía entre 1,2 y 1,5 horas.

'Rinse'

Para enjuagar platos que serán lavados más tarde. El consumo de agua es de 2,4 galones. La duración del ciclo es de aproximadamente 20 minutos.

AutoHeavyNormalShortRinse

38 Instrucciones de Funcionamiento

SELECCIONES DE OPCIONES DE ENERGIA



'Hi-Temp Wash'

Cuando se selecciona la opción 'HI-TEMP WASH' (Lavado con Temperatura Alta) el lavavajillas calienta el agua en el lavado principal aproximadamente a 140°F (60°C).

Esta temperatura más alta ayuda a que el detergente del lavavajillas quite el alimento, grasa y suciedad de los platos de manera más eficaz y a la vez mejora el secado. La opción 'HI-TEMP WASH' puede ser usada con todos los ciclos excepto con 'RINSE' (Enjuague).

Cuando se seleccione la opción 'HI-TEMP WASH', la luz que rodea la tecla se iluminará y permanecerá iluminada hasta el fin del ciclo.

Para apagar la opción 'HI-TEMP WASH', oprima nuevamente la tecla. La luz que rodea la tecla se apagará.



'Sanitize' (Esterilizar)

Para esterilizar sus platos y vasos, seleccione la opción 'SANITIZE'. Cuando se selecciona, la luz que rodea la tecla se iluminará y permanecerá iluminada hasta que se oprima la tecla 'START/CANCEL' o se cierre la puerta. Esta opción aumenta la temperatura del agua en el enjuague final a 155°F (68°C) y mantiene tal temperatura durante 9 minutos. La opción 'SANITIZE' está disponible en los ciclos 'Auto Wash', 'Heavy Wash', 'Normal Wash' y 'Short Wash'. Solamente estos ciclos de esterilización han sido diseñados para cumplir los requerimientos de la NSF.

La duración del ciclo se prolongará hasta que se alcance la temperatura apropiada del agua. El lavado continúa durante el período de calentamiento del agua. Para mejores resultados, la temperatura del agua de admisión debe ser por lo menos de 120°F (49°C).

La luz que rodea la tecla no se iluminará al final del ciclo si no se lograron los requerimientos de esterilización de la NSF. El criterio de esterilización no se cumplirá si el ciclo se interrumpe, si ocurre una falla de energía o si la temperatura del agua es inferior a 120°F (49°C).

Para apagar la opción 'SANITIZE', oprima nuevamente la tecla. La luz que rodea la tecla se apagará.

SELECCIONES DE FUNCIONAMIENTO

'Delay Start'

La opción 'DELAY START' (Comienzo Diferido) le permite diferir automáticamente la puesta en marcha del lavavajillas de 1 a 24 horas.

Oprima la tecla 'DELAY START' hasta que el tiempo diferido deseado aparezca en el indicador visual. Se iluminará una luz indicando las horas de comienzo del lavado diferido y permanecerá encendida hasta que comience el ciclo.

Para cancelar la opción 'DELAY START' y comenzar el ciclo antes de que acabe el período diferido, oprima la tecla 'START/CANCEL'.

'Start/Cancel'

Para comenzar un ciclo, oprima una vez la tecla 'START/CANCEL' y cierre la puerta.

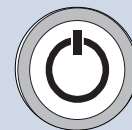
Para cancelar un ciclo en curso, abra la puerta y oprima una vez la tecla 'START/CANCEL'. Cierre la puerta nuevamente y el lavavajillas se desaguará y apagará.

NOTA

Si se abre la puerta durante el funcionamiento normal, el ciclo seleccionado solamente se detendrá pero no se apagará.

Avisador

Su lavavajillas está equipado con un avisador que le indica sonoramente cuando ha oprimido un ciclo o seleccionado una opción. El avisador también indica la completación del ciclo seleccionado. Oprima las teclas 'SHORT' y 'RINSE' simultáneamente para activar y desactivar el avisador.



40 Instrucciones de Funcionamiento

INDICADOR VISUAL



El indicador visual muestra los códigos que se despliegan típicamente durante el funcionamiento normal o cuando se programa el lavavajillas. El indicador visual está en blanco cuando la puerta está cerrada. El indicador visual muestra la siguiente actividad:

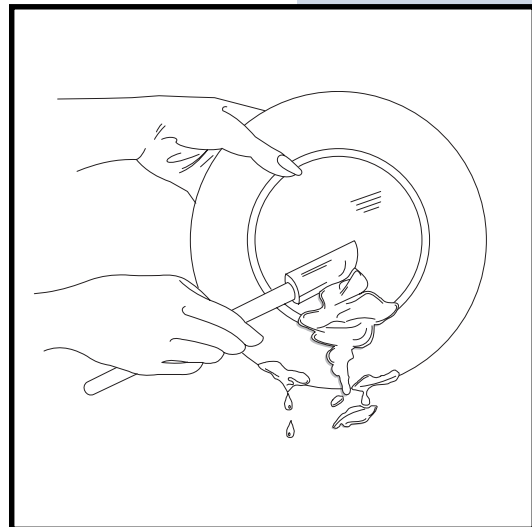
- 1-24** Indica el número de horas que se ha diferido el comienzo del ciclo seleccionado.
- CL** Destella una vez después de haberse seleccionado el programa y oprimido la tecla 'START/CANCEL'. También destella si la puerta se abre durante un ciclo de lavado. Cierre la puerta del lavavajillas para comenzar o continuar un ciclo de lavado.
- HO** Destella para indicar un retraso en el calentamiento del agua.
- PF** Aparece en el indicador cuando el lavavajillas es instalado por primera vez o cuando ha habido una interrupción de la energía eléctrica. La luz de fondo de 'HI-TEMP WASH', 'SANITIZE' y 'START/CANCEL' también destellarán. Para despejar, oprima la tecla 'START/CANCEL'.
- CF** Aparece en el indicador cuando el usuario debe retirar y limpiar el filtro. Una vez que el filtro se ha limpiado y reinstalado, el lavavajillas continuará el funcionamiento normal. (Ver Cuidado y Limpieza, página 49.)
- On** Aparece en el indicador si el avisador está activado. Oprima la tecla 'SHORT' y 'RINSE' simultáneamente para activar el avisador.
- OF** Aparece en el indicador si el avisador está desactivado. Oprima simultáneamente las teclas 'SHORT' y 'RINSE' para desactivar el avisador.
- LO** Aparece en el indicador si el nivel del agente de enjuague es bajo. Agregue agente de enjuague. (Ver Agente de Enjuague, página 47.)

PREPARACION DE LOS PLATOS

Raspe los pedazos grandes de alimento, huesos, huesos de fruta, picadientes, etc. El sistema de lavado retirará el resto de las partículas de comida. Raspe con cuidado el alimento quemado con un utensilio que no raye o coloque el plato a remojar antes de lavarlo. Vacíe los líquidos de los vasos y tazas.

Los alimentos que contienen aceite vegetal y/o aditivos químicos tales como mostaza, mayonesa, vinagre, jugo de limón o productos a base de tomate pueden causar descoloración del acero inoxidable y de los plásticos si se dejan sin lavar durante un período de tiempo prolongado. A menos que el lavavajillas vaya a ser puesto a funcionar inmediatamente, es mejor enjuagar los platos para quitar previamente tales suciedades.

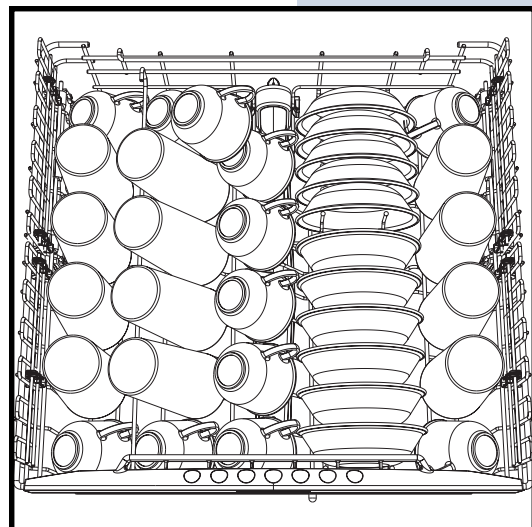
- Acomode las canastillas de modo que los artículos grandes no interfieran con la apertura del distribuidor de detergente.
- Verifique las recomendaciones del fabricante antes de lavar los artículos sin indicaciones.
- Si el lavavajillas desagua hacia un triturador de alimentos, **asegúrese de que el triturador esté completamente vacío antes de poner en marcha el lavavajillas.**



CARGA DE LA CANASTILLA SUPERIOR

La canastilla superior ha sido diseñada para acomodar con facilidad una variedad de artículos incluyendo tazas, vasos, copas, platos pequeños, tazones, etc.

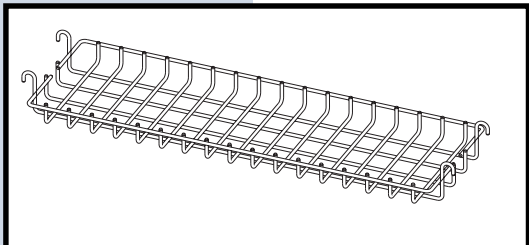
- Los vasos deben colocarse en la canastilla superior. Se pueden dañar si se colocan en la canastilla inferior.
- Coloque los artículos con los extremos abiertos dirigidos hacia abajo para una mejor limpieza y desagüe.
- Puede ocurrir daño si los artículos delicados quedan tocándose unos con otros durante el funcionamiento del lavavajillas.
- Los cuchillos y utensilios de mango largo pueden ser colocados en la cestilla para utensilios en la canastilla superior.
- Asegúrese de que nada sobresalga a través de la parte inferior de la canastilla que pueda bloquear la rotación del brazo rociador intermedio.



42 Preparación y Carga de la Vajilla

Cestilla para Utensilios

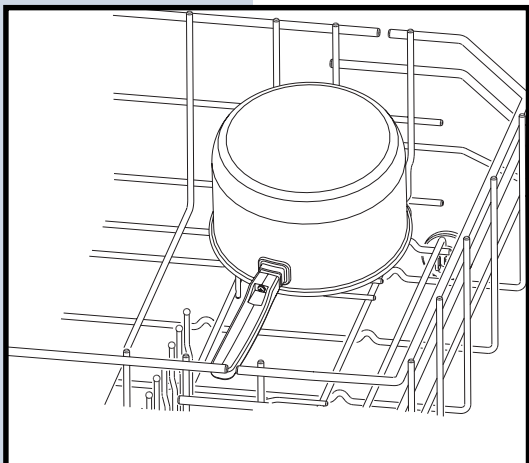
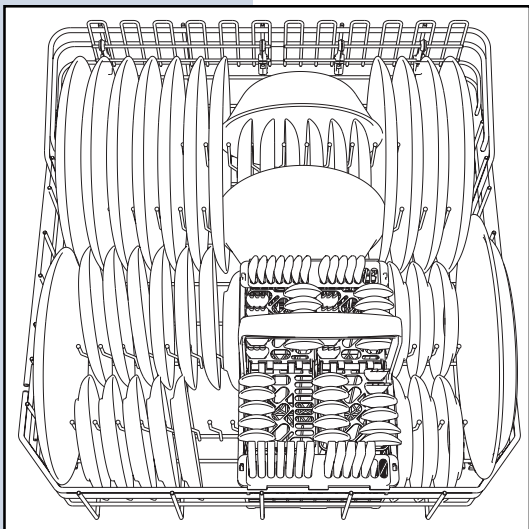
La cestilla para utensilios puede usarse en la canastilla superior para sostener espátulas, cucharas grandes y otros utensilios grandes.



NOTA

Las características en el modelo de su lavavajillas pueden ser diferentes a las ilustraciones de este manual.

CARGA DE LA CANASTILLA INFERIOR



La canastilla inferior ha sido diseñada para platos, platitos, tazones y ollas.

- Los artículos grandes deben ser colocados a lo largo del borde de modo que no bloqueen la rotación del brazo rociador central.
- Para obtener mejores resultados, coloque los tazones, cacerolas y sartenes con la superficie sucia hacia abajo o hacia el centro. Incline ligeramente para un mejor desagüe.
- Asegúrese de que los artículos altos no bloqueen la rotación del brazo rociador intermedio.
- Asegúrese de que los mangos de los sartenes no sobresalgan a través de la parte inferior de la canastilla y bloqueen la rotación del brazo rociador inferior.
- Las tazas o utensilios adicionales pueden ser colocados en la parte trasera.

Soportes Abatibles

Los soportes abatibles en la canastilla inferior facilitan la carga de aquellos artículos grandes o difíciles de colocar. Los soportes pueden ser dejados levantados para uso normal o plegados para mayor flexibilidad de la carga.

Coloque los soportes hacia abajo para facilitar la carga de ollas y sartenes grandes.

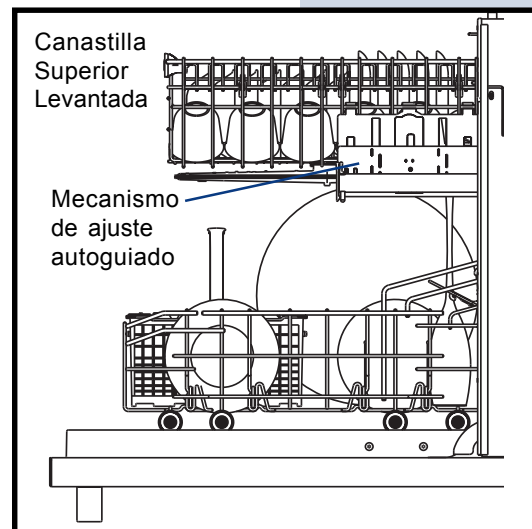
AJUSTE DE LA ALTURA DE LA CANASTILLA

La altura de la canastilla superior puede ser fácilmente ajustada para acomodar platos más altos en cualquiera de las canastillas. La altura puede ser ajustada con o sin platos en la canastilla.

Para acomodar platos más altos en la canastilla inferior, levante la altura de la canastilla superior de la manera siguiente:

- 1 Levante la canastilla superior de cada lado, tirando de ella hacia el centro para llegar a la posición más alta. El mecanismo de ajuste autoguiado se detendrá cuando se alcance la posición superior de altura.

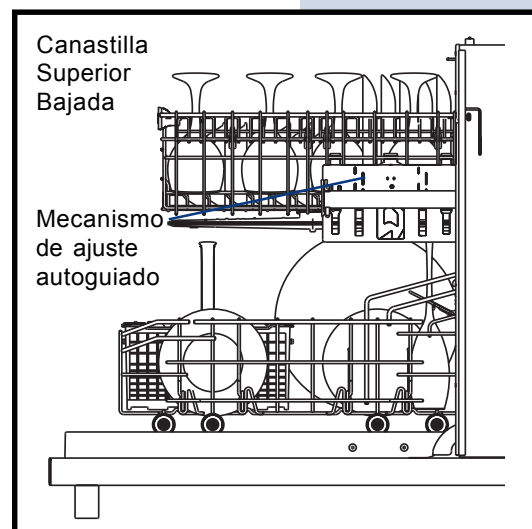
La posición superior proporciona casi 2 pulgadas de altura adicional para los artículos en la canastilla inferior.



Para acomodar platos más altos en la canastilla superior, baje la altura de la canastilla superior de la siguiente manera:

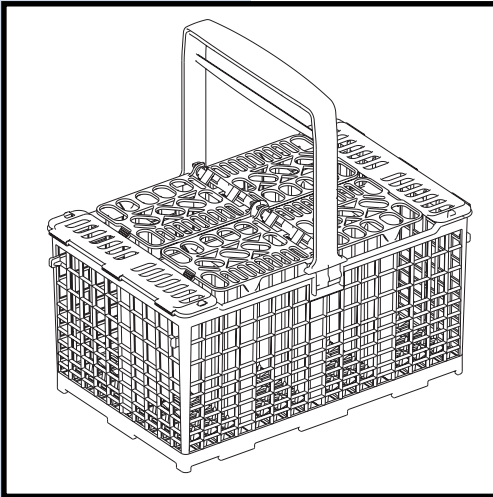
- 1 Levante la canastilla de lado a lado, tirando de ella hacia el medio hasta que se levante ligeramente.
- 2 Baje con cuidado la canastilla a la posición inferior. El mecanismo de ajuste autoguiado se detendrá cuando llegue a la posición inferior de altura.

Esta posición ofrece casi 2 pulgadas de altura adicional para artículos en la canastilla superior.



44 Preparación y Carga de la Vajilla

CARGA DE LA CESTILLA DE LA CUCHILLERÍA

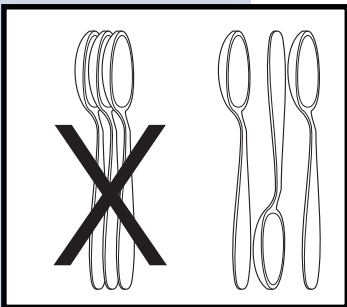


Cargue la cesta de la cuchillería cuando esté colocada en la canastilla inferior o sáquela hacia afuera para cargarla sobre la mesada.

- Coloque los artículos pequeños como las tapas de las mamaderas, tapas de frascos, sujetadores de elotes, etc. en una de las secciones con tapa. Cierre la tapa para mantener los artículos pequeños en su lugar.
- Asegúrese de que nada sobresalga a través de la parte inferior de la cesta o de la canastilla inferior que bloquee el brazo rociador inferior.
- No mezcle artículos de plata y de acero inoxidable a fin de evitar que se dañe el acabado de la plata.

ATENCIÓN

PARA EVITAR SUFRIR UNA CORTADURA: Cargue los artículos afilados (cuchillos, broquetas, etc.) con las puntas hacia abajo. El incumplimiento de esta advertencia puede ocasionar una lesión.



Quando las tapas estén hacia arriba, mezcle los artículos no afilados en cada sección de la cesta con algunos dirigidos hacia arriba y algunos hacia abajo para evitar que se aniden unos contra otros. El agua rociada no puede llegar a los artículos que están anidados.

AGREGANDO UN PLATO

Para agregar o quitar artículos después de que ha comenzado el ciclo de lavado:

- 1 Abra ligeramente la puerta y espere unos pocos segundos hasta que se detenga el lavado antes de abrirla completamente.
- 2 Agregue el artículo olvidado.
- 3 Cierre firmemente la puerta con seguro y el ciclo se reanudará automáticamente.

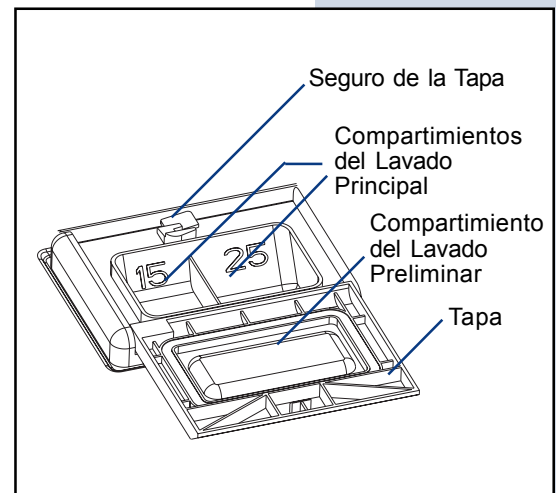
ATENCIÓN

PARA EVITAR SUFRIR UNA QUEMADURA: Abra ligeramente la puerta y espere hasta que los brazos rociadores y la acción de lavado se detenga. Puede salpicar agua caliente hacia afuera del lavavajillas. El incumplimiento de esta advertencia puede ocasionar una lesión.

LLENADO DEL DISTRIBUIDOR DE DETERGENTE

El distribuidor de detergente tiene dos compartimientos tapados. Llene uno para cargas pequeñas. Llene ambos para cargas más grandes. Cierre la tapa y agregue detergente en la parte indentada de la tapa para un lavado preliminar. El detergente en la sección de lavado preliminar de la tapa cae hacia el lavavajillas cuando se cierra la puerta. Los compartimientos tapados se abren automáticamente para distribuir el detergente.

- Use solamente detergente para lavavajillas automáticos. Otro detergente causaría demasiada espuma.
- Cuando use tabletas de detergente para lavavajillas automáticos, coloque una tableta en el compartimiento de lavado principal y ciérrelo.
- Agregue el detergente justo antes de comenzar el ciclo.
- Guarde el detergente en un lugar fresco y seco. Los detergentes húmedos o endurecidos no se disolverán en forma apropiada.



CANTIDAD DE DETERGENTE NECESARIA

La cantidad de detergente que se debe usar depende de la dureza del agua. *La dureza del agua se mide en granos por galón (gpg).* El "agua dura" contiene grandes cantidades de minerales ásperos en forma granulada, más de 10 a 11 granos por galón (gpg) lo cual puede afectar la calidad del agua.

Si usa muy poco detergente puede resultar en una limpieza deficiente y en la formación de una película o manchas debido al agua dura. Si usa demasiado detergente en agua blanda se puede causar la formación de "fisuras superficiales" permanentes. (Ver Fisuras Superficiales, página 53.)

Su compañía de agua local, la compañía de ablandamiento de agua o el agente de su distrito pueden informarle sobre la dureza del agua en su área.

GUIA DE USO DEL DETERGENTE

Consulte la tabla siguiente para el uso de detergente recomendado.

Ciclo	Agua Blanda (0 a 3 granos)	Agua Semidura (4 a 8 granos)	Agua Dura (9 a 12 granos)	Agua Muy Dura* (Más de 12 granos)
Lavado Intenso o Lavado Normal	2 Cucharaditas (Compartimiento de lavado principal – ¼ de la capacidad)	5 Cucharaditas (Compartimiento de lavado principal – llenar hasta la línea más arriba de "Regular")	8 Cucharaditas (Compartimiento de lavado principal completamente lleno)	Cada compartimiento completamente lleno (Se recomienda suavizador de agua)
Lavado Corto	2 Cucharaditas (Compartimiento de lavado principal – ¼ de la capacidad)	5 Cucharaditas (Compartimiento de lavado principal – llenar hasta la línea más arriba de "Regular")	8 Cucharaditas (Compartimiento de lavado principal completamente lleno)	Compartimiento de lavado principal completamente lleno (Se recomienda suavizador de agua)
Enjuague	No usar detergente	No usar detergente	No usar detergente	No usar detergente (Se recomienda suavizador de agua)

Como se muestra en la última columna de esta tabla, se recomienda un ablandador de agua para mejorar la calidad del agua y el rendimiento del lavado cuando se usa agua muy dura.

Otras sugerencias:

- Trate de agregar más detergente al comienzo de la porción del lavado principal del ciclo.
- Como regla general, use una cucharadita por cada grano superior a 12. Saque el seguro de la puerta, abra lentamente y agregue detergente en la parte inferior de la tina.
- Cierre la puerta con seguro y el lavavajillas continuará con el ciclo.

AGENTE DE ENJUAGUE

El agente de enjuague mejora enormemente el secado y reduce las manchas y la capa delgada dejada por el agua. Ayuda a que el agua se extienda sobre los platos en vez de que forme gotitas que se adhieren y dejan manchas.

El distribuidor de agente de enjuague, ubicado junto al compartimiento del detergente, distribuye automáticamente una cantidad medida de agente de enjuague durante el último enjuague. Si existe el problema de manchas y secado deficiente, aumente la cantidad de agente de enjuague distribuida girando el control y colocándolo en un número más alto. El control se encuentra debajo de la tapa del distribuidor.

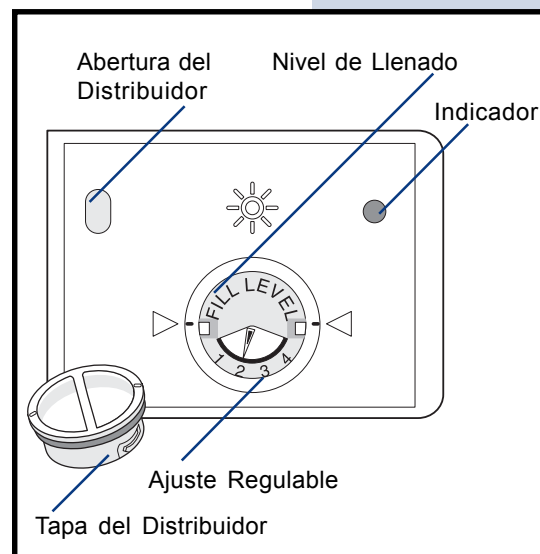
El indicador se oscurece cuando está lleno y queda transparente cuando se debe llenar.

En los modelos con indicador visual, se despliega 'LO' al final del ciclo indicando que es tiempo de llenar el distribuidor.

Para agregar agente de enjuague líquido:

- 1 Gire a la izquierda 1/4 de vuelta la tapa del distribuidor y levántela.
- 2 Agregue el agente de enjuague hasta que el líquido toque el nivel de llenado indicado. No llene demasiado pues se puede causar demasiada espuma.
- 3 Vuelva a colocar la tapa.
- 4 Limpie cualquier derrame con un paño húmedo.

El distribuidor tiene capacidad suficiente para 35 a 140 lavados, dependiendo del ajuste en que sea colocado.



48 Factores que Afectan el Rendimiento

PRESION DEL AGUA

La tubería del agua caliente hacia el lavavajillas debe proporcionar una presión de agua entre 20 y 120 libras por pulgada cuadrada (lbs./pulg.²).

Puede ocurrir presión baja del agua cuando la ducha o la lavadora de ropa están en funcionamiento. Espere a que se reduzca el uso del agua antes de poner en marcha el lavavajillas.

TEMPERATURA DEL AGUA

Se necesita agua caliente para un mejor lavado de la vajilla y mejorar el secado. La temperatura del agua que entra al lavavajillas debe ser por lo menos de 120°F (49°C) para lograr resultados satisfactorios.

Verificación de la temperatura del agua que entra al lavavajillas:

- 1 Abra la llave del agua caliente que esté más cerca al lavavajillas durante varios minutos para hacer salir el agua fría de las tuberías.
- 2 Coloque un termómetro de carne o repostería en el chorro de agua para verificar la temperatura.
- 3 Si la temperatura es inferior a 120°F (49°C), pida a una persona calificada que eleve el ajuste del termostato del calentador de agua.

IMPORTANTE

Antes de comenzar un ciclo, haga correr agua caliente para despejar el agua fría de la tubería.

EXTERIOR

Limpie ocasionalmente las superficies exteriores de su lavavajillas con un detergente suave no abrasivo y agua. Enjuague y seque.

Puerta de Acero Inoxidable

Limpie la puerta de acero inoxidable y la manija con agua caliente, jabonosa y un paño. Enjuague con agua limpia y un paño. No use limpiadores abrasivos. Use solamente limpiadores domésticos especialmente fabricados para limpiar acero inoxidable.

INTERIOR

Quite las manchas en la puerta y en la tina con un paño húmedo, no abrasivo. Si es necesario, limpie alrededor del área de la junta de la tina con un paño húmedo.

IMPORTANTE

¡Lea antes de poner en funcionamiento su lavavajillas!

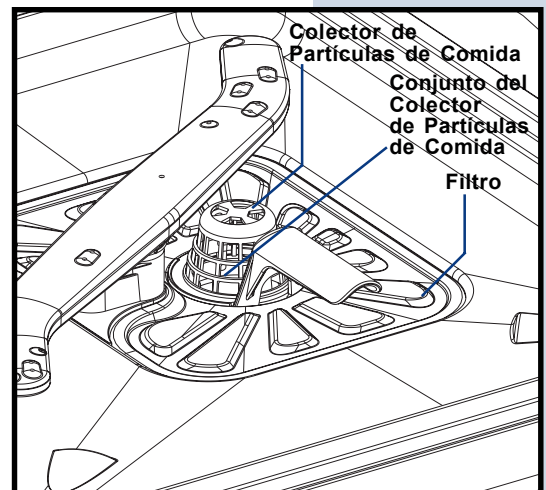
Cuidado del Filtro

Su lavavajillas está equipado con un moderno sistema de lavado. El sistema de lavado invisible de alimentación directa distribuye el agua usando tecnología de lavado por pulsación lo cual resulta en un lavado silencioso, más eficaz.

Periódicamente, el conjunto del filtro y colector de partículas de comida deben ser limpiados para mejorar el rendimiento de lavado. Su lavavajillas puede indicárselo destellando las letras "CF" en el indicador visual. Retire, limpie y vuelva a reinstalar el conjunto del filtro y del colector de partículas de comida como se indica a continuación.

Limpieza del Filtro:

- 1 Retire todos los desperdicios del filtro y del colector de partículas de comida.
- 2 Retire el conjunto del colector de partículas de comida girando la manija 90° a la izquierda y limpiando con agua y jabón suave.
- 3 Levante el filtro para sacarlo, teniendo cuidado de evitar que caiga alimento en el área de la bomba de desagüe. Limpie con agua y jabón suave.
- 4 Vuelva a instalar el conjunto del filtro y del colector de partículas de comida.
- 5 Gire y ligeramente tire del conjunto del colector de partículas de comida 90° a la derecha para asegurarse de que el conjunto está bloqueado en su lugar.



Cuidado de la Válvula Rompevacío

Si se instaló una válvula rompevacío en su lavavajillas empotrado, verifique para asegurarse de que esté limpia de modo que el lavavajillas pueda desaguar en forma apropiada. La válvula rompevacío generalmente se instala en el fregadero de la mesada y puede ser inspeccionada retirando la tapa. Esto no es parte de su lavavajillas y no está cubierto por la garantía.

ATENCION

Las temperaturas de congelación pueden causar ruptura de las tuberías del agua. Asegúrese de que todas las tuberías de suministro del agua y las tuberías de circulación dentro del lavavajillas estén protegidas. De lo contrario se pueden ocasionar daños materiales.

PREPARACION PARA EL INVIERNO

Si el lavavajillas se deja en un lugar sin calefacción debe ser protegido contra congelamiento. Solicite a un técnico calificado que haga lo siguiente:

Desconexión del Servicio:

- 1 Desconecte la energía eléctrica hacia el lavavajillas en la fuente de suministro, ya sea retirando los fusibles o disparando el disyuntor.
- 2 Cierre el suministro del agua.
- 3 Coloque un recipiente debajo de la válvula de admisión de agua. Desconecte la tubería de agua de la válvula de admisión y desagüe hacia el recipiente.
- 4 Desconecte la tubería de desagüe de la bomba y escurra el agua en el recipiente.

NOTA

Ver las instrucciones de instalación para obtener más detalles.

Para restaurar el servicio:

- 1 Vuelva a conectar el agua, el desagüe y el suministro de energía eléctrica.
- 2 Abra la llave del agua y conecte el suministro de energía eléctrica.
- 3 Llene ambos dispensadores de detergente y ejecute un ciclo de lavado 'HEAVY WASH' (Lavado Intenso).

NOTA

Vea las instrucciones de instalación para obtener más detalles.

IMPORTANTE

Antes de hacer una llamada de servicio, revise primero esta lista. Le puede ahorrar tiempo y gastos. Esta lista incluye las experiencias más comunes que no son el resultado de defectos de materiales o fabricación en su lavavajillas.

QUEDAN MANCHAS DE ALIMENTOS EN LOS PLATOS

- Verifique la temperatura del agua de admisión. (Ver Como usar el lavavajillas, página 36.) Debe ser de por lo menos 120°F (49°C). (Ver Factores que Afectan el Rendimiento, página 48.)
- Seleccione otro ciclo para un lavado más prolongado.
- Consulte las secciones sobre carga de las canastillas para una carga correcta – evite que los artículos se aniden.
- La presión del agua en el hogar puede ser demasiado baja – debe ser 20 a 120 libras por pulgada cuadrada (lbs./pulg.²).
- Verifique la dureza del agua. Para agua extremadamente dura, puede ser necesario instalar un suavizador de agua. (Ver Guía de Uso del Detergente, página 46.)
- Use detergente fresco.
- Asegúrese de que los artículos no estén bloqueando ninguno de los brazos rociadores o impidiendo su rotación.

LOS PLATOS NO SE SECAN

- Asegúrese de que el distribuidor de agente de enjuague esté lleno.
- Aumente la cantidad de agente de enjuague (Ver Agente de Enjuague, página 47).
- Verifique la temperatura del agua de admisión. Asegúrese de que esté por lo menos a 120°F (49°C).
- Verifique la carga correcta del lavavajillas, evite anidar los artículos.
- Puede que los artículos de plástico necesiten ser secados con una toalla. Se junta más agua en los artículos de plástico al completarse el ciclo pues ellos no se calientan tanto como el vidrio o los artículos de metal.
- Las tazas con fondo cóncavo pueden retener agua.

CUCHILLERIA O ARTICULOS DE VIDRIO MANCHADOS U OPACOS

- Verifique la dureza del agua. Para agua extremadamente dura, puede ser necesario instalar un suavizador de agua. (Ver la Guía de Uso del Detergente, página 46.)
- La temperatura del agua puede ser demasiado baja. Evite temperaturas extremadamente bajas o altas. (Ver Factores que Afectan el Rendimiento, página 48.)
- Evite cargar demasiado el lavavajillas o cargarlo de manera incorrecta. (Ver Preparación y Carga de la Vajilla, páginas 41 a 44.)
- Use detergente fresco. El detergente antiguo no es eficaz.
- Asegúrese de que el distribuidor de agente de enjuague esté lleno.
- Verifique que se esté usando la cantidad de detergente apropiada para el ciclo seleccionado. (Ver Llenado del Distribuidor de Detergente, página 45.)
- La presión del agua del hogar puede ser demasiado baja – debe ser entre 20 y 120 libras por pulgada cuadrada (lbs./pulg.²).

VAJILLA DAÑADA

- Cargue con cuidado y no sobrecargue el lavavajillas. (Ver Preparación y Carga de la Vajilla, páginas 41 a 44.)
 - Coloque los artículos delicados en la canastilla superior.
 - Coloque los vasos contra los soportes y no sobre los soportes.
 - Coloque los artículos en forma segura y a efecto de que no se suelten cuando se mueven las canastillas al deslizarla hacia adentro o hacia afuera. Mueva las canastillas hacia adentro y hacia afuera lentamente.
 - Asegúrese de que los vasos y las copas altas no toquen la parte superior de la tina cuando la canastilla es empujada hacia adentro.
 - Se recomienda lavar la loza antigua fina y el cristal a mano.
-

VAJILLA MANCHADA O DESCOLORIDA

- El té o el café pueden manchar las tazas. Quite las manchas a mano, lavando con una solución de ½ taza (120 ml) de blanqueador y un cuarto de galón (1 Litro) de agua tibia. Enjuague bien.
- Los depósitos de hierro en el agua pueden producir una película amarilla o café. Este problema puede corregirse instalando un filtro de agua en línea con su suministro de agua.
- Los utensilios de aluminio pueden dejar marcas grises o negras cuando se frotan contra otros artículos. Cárguelos de manera apropiada.
- Ciertos alimentos altamente ácidos pueden causar descoloración del acero inoxidable y de los plásticos si se dejan sin enjuagar durante un período largo. Use el ciclo de enjuague o enjuáguelos a mano si no va usar la lavadora inmediatamente.
- Si coloca utensilios de acero inoxidable y de plata en la canastilla de la cuchillería puede causar daño a las hojas de acero inoxidable. Evite mezclar el acero inoxidable y la plata.

FISURAS SUPERFICIALES

- Si se usa demasiado detergente en agua suave o ablandada se produce esta película que no puede ser quitada.
- Ajuste la cantidad de detergente en base a la dureza del agua. (Ver la Guía de Uso de Detergente, página 46.)
- Baje la temperatura del agua.

QUEDA DETERGENTE EN EL COMPARTIMIENTO DEL DISTRIBUIDOR

- El detergente puede ser antiguo. Descarte y use detergente fresco.
- Asegúrese de que la acción del agua llega hasta el distribuidor.
- Verifique para ver si el ciclo terminó.
- Asegúrese de que no haya artículos que impidan que se abra el distribuidor.
- Asegúrese de que la canastilla superior está firmemente instalada en la boquilla en la parte trasera de la tina antes de cerrar la puerta.

54 Soluciones a Problemas Comunes

EL LAVAVAJILLAS TIENE ESCAPE

- Use solamente detergente fresco formulado para lavavajillas automáticos. Mida el detergente cuidadosamente. Pruebe una marca diferente.
- El agente de enjuague derramado puede producir espuma y causar sobrellenado. Limpie los derrames con un paño húmedo.
- Verifique si el lavavajillas está nivelado. (Ver Instrucciones de Instalación).

SONIDOS NORMALES QUE USTED ESCUCHARA

- Los sonidos normales incluyen llenado del agua, circulación del agua y sonidos del motor.
- La pulsación de la bomba puede causar que la velocidad del motor aumente y disminuya a intervalos regulares durante los ciclos.

AGUA EN EL FONDO DE LA TINA

- No es normal que quede agua en el fondo de la tina al final de un ciclo. Si el agua permanece en el fondo de la tina al final del ciclo, el lavavajillas puede que no esté desaguando en forma debida. (Ver El Lavavajillas no Desagua Bien, página 55.) El filtro también puede necesitar limpieza. (Ver Cuidado del Filtro, página 49.) *Nota: Es normal ver una pequeña cantidad de agua debajo del filtro al final de un ciclo.*

EL LAVAVAJILLAS NO FUNCIONA

- Verifique si el disyuntor está disparado o si hay un fusible fundido.
 - Asegúrese de que el suministro del agua está abierto.
 - Verifique si el ciclo está programado correctamente. (Ver Instrucciones de Funcionamiento, páginas 36 a 40.)
 - Verifique si la opción 'DELAY START' ha sido seleccionada.
 - Asegúrese de que la puerta esté cerrada y con seguro.
-

EL LAVAVAJILLAS NO DESAGUA BIEN

- Si el lavavajillas está conectado a un triturador de desperdicios, asegúrese de que el triturador esté vacío.
- Si el lavavajillas está conectado a un triturador de desperdicios de comidas recién instalado, verifique si se ha quitado el tapón removible dentro de la admisión del triturador.
- Verifique si la manguera de desagüe está torcida.
- Asegúrese de que el ciclo se ha completado y no está en una pausa.

EL CICLO DEMORA DEMASIADO TIEMPO

- Verifique si el ciclo está en un retraso de calentamiento de agua.
- Verifique si la opción de comienzo diferido ha sido seleccionada.
- Verifique si se seleccionó la opción de esterilización.

EL LAVAVAJILLAS NO SE LLENA

- Verifique si el suministro de agua está abierto.
- Agregue ½ taza de agua en el fondo del lavavajillas y ponga en marcha nuevamente.

EL LAVAVAJILLAS TIENE UN OLOR

- Los platos sucios dejados en el lavavajillas por mucho tiempo pueden crear un olor. Use el ciclo de enjuague.
- Tendrá olor a "nuevo" cuando recién se instale. Esto es normal.
- Verifique si el lavavajillas está desaguando en forma debida. (Ver El Lavavajillas No Desagua Bien, página 55).

56 Soluciones a Problemas Comunes

PARA QUITAR PELICULAS Y MANCHAS

El agua dura puede causar acumulación de depósitos de cal en el interior del lavavajillas. Los platos y vasos pueden también quedar con películas y manchas por un número de razones. (Ver Cuchillería o Artículos de Vidrio Manchados u Opacos, página 52).

Para quitar las manchas y películas, limpie usando las siguientes instrucciones:

- 1 Cargue los platos y vasos limpios de manera normal. No cargue utensilios de metal o cuchillería.
- 2 No agregue detergente.
- 3 Seleccione el ciclo 'NORMAL WASH'. Oprima la tecla 'START/CANCEL' y cierre la puerta.
- 4 Deje que el lavavajillas funcione hasta que comience el segundo llenado. Abra la puerta y agregue dos tazas de vinagre blanco en el fondo del lavavajillas.
- 5 Cierre la puerta con seguro y espere hasta que el ciclo termine.

NOTA

Si no se soluciona el problema, puede ser necesario usar un suavizador de agua.

GARANTIA DEL LAVAVAJILLAS

Su lavavajillas está protegido por esta garantía

	PERIODO DE GARANTIA	LA RESPONSABILIDAD A TRAVES DE NUESTROS TECNICOS AUTORIZADOS SERA:	EL CONSUMIDOR SERA RESPONSABLE DE LO SIGUIENTE:
GARANTIA COMPLETA DE UN AÑO	Un año desde la fecha original de compra.	Pagar todos los costos de reparación o reemplazo de cualquier pieza de este artefacto que tenga defectos de fabricación o de materiales.	Los costos de las llamadas de servicio que están enumeradas bajo Responsabilidades del Cliente.*
GARANTIA LIMITADA EXTENDIDA A CINCO AÑOS	Dos años desde la fecha original de compra.	Reemplazar cualquier control electrónico que falle debido a un defecto de fabricación. Reemplazar cualquier canastilla superior o inferior revestidas con nilón que se descascare u oxide debido a un defecto de fabricación. Reemplazar los componentes principales del sistema de distribución de agua que falle debido a un defecto de fabricación. Esto incluye el motor, la bomba, el brazo inferior de lavado y los brazos rociadores superiores con el tubo de alimentación y el conjunto de filtros en los modelos equipados con estos dispositivos. Las piezas asociadas con la plomería de entrada y desagüe no están cubiertas por esta garantía.	Las piezas asociadas con la plomería de entrada y desagüe; los costos incurridos para recoger y entregar el producto que debe ser reparado; y todos los costos relacionados con la mano de obra y transporte.
GARANTIA LIMITADA DE POR VIDA	Vida útil del producto.	Proveer una tina de repuesto o el forro de la puerta si la tina original o el forro de la puerta no retienen el agua debido a un defecto de fabricación.	Los sellos de la puerta; cualquier costo incurrido para recoger y entregar el producto que debe ser reparado; y todos los costos relacionados con la mano de obra y transporte.
GARANTIA LIMITADA (Aplicable al Estado de Alaska)	Periodos de tiempo indicados anteriormente.	Se aplican todas las disposiciones de la garantía completa indicada anteriormente y las exclusiones que se indican a continuación.	Los costos del viaje del técnico al hogar y cualquier costo incurrido por recoger y entregar el artefacto que debe ser reparado.

En los EE.UU. su electrodoméstico está garantizado por Electrolux Home Products, Inc. No autorizamos a ninguna persona para que cambie ninguna de nuestras obligaciones bajo esta garantía ni tampoco agregue ninguna otra. Nuestras obligaciones respecto a reparación y repuestos bajo esta garantía deben ser efectuadas por nosotros o por un técnico autorizado de Electrolux Home Products, Inc. En Canadá, su electrodoméstico está garantizado por Electrolux Canada Corp.

***RESPONSABILIDADES NORMALES DEL CLIENTE**
Esta garantía se aplica solamente a los productos que son usados para propósitos domésticos normales y el consumidor es responsable por lo que se indica a continuación:

1. Uso correcto del artefacto de acuerdo con las instrucciones proporcionadas con el producto.
2. Instalación correcta por un técnico autorizado de acuerdo con las instrucciones proporcionadas con el artefacto y de acuerdo con todos los códigos locales de plomería, electricidad y/o gas.
3. Conexión correcta a una fuente de energía puesta a tierra, de voltaje suficiente, reemplazo de fusibles quemados, reparación de conexiones sueltas o defectos en el alambrado del hogar.
4. Gastos para facilitar el acceso al artefacto para su reparación, tales como remoción de molduras, estantes, armarios, etc. que no eran parte del artefacto cuando fue enviado de la fábrica.
5. Daños al acabado después de la instalación.

EXCLUSIONES

Esta garantía no cubre lo siguiente:

1. DAÑOS CONSECUTIVOS O INCIDENTALES TALES COMO DAÑOS MATERIALES Y GASTOS INCIDENTALES RESULTANTES DE CUALQUIER INCUMPLIMIENTO DE ESTA U OTRA GARANTIA ESCRITA O IMPLICITA.
Nota: En algunos estados no se permite la exclusión o limitación de los daños incidentales o consecutivos, por lo tanto esta limitación o exclusión puede que no se aplique en su caso.
2. Llamadas de servicio que no se relacionen con el mal funcionamiento o defectos de fabricación o de materiales o para artefactos que no sean usados en el hogar. El consumidor pagará por tales llamadas de servicio.
3. Daños causados por reparaciones realizadas por personas que no pertenecen a Electrolux Home Products, Inc., Electrolux Canada Corp. o que no son sus técnicos autorizados; el uso de piezas que no sean repuestos genuinos de Electrolux, que hayan sido obtenidos de personas que no son los técnicos autorizados o causas externas tales como abuso, mal uso, suministro eléctrico inadecuado o casos fortuitos.
4. Los productos con números de serie originales que han sido sacados o alterados y no pueden ser fácilmente leídos.

SI USTED NECESITA SERVICIO

Conserve su boleta de compra, la boleta de entrega o algún otro registro apropiado de pago. La fecha en el recibo establece el período de garantía en caso de que necesite reparación. Si se efectúa la reparación, es para su propio beneficio obtener y conservar todos los recibos. Esta garantía escrita le otorga derechos legales específicos. Usted también puede tener otros derechos que varían de un estado a otro. Los servicios de reparación bajo esta garantía pueden obtenerse poniéndose en contacto con Electrolux Home Products, Inc. o Electrolux Canada Corp.

Esta garantía es válida solamente en los 50 estados de los EE.UU., Puerto Rico, y en Canadá. Las especificaciones o características del producto según se describen o ilustran están sujetas a cambio sin aviso previo. Todas las garantías son ofrecidas por Electrolux Home Products, Inc. En Canadá, su electrodoméstico está garantizado por Electrolux Canada Corp.

TABLE DES MATIÈRES

Pour trouver les informations	59	Facteurs affectant les performances	76
Notez ces informations		Pression de l'eau	76
pour une utilisation ultérieure	59	Température de l'eau	76
Questions?	59	Entretien et nettoyage	77
Internet	59	Extérieur	77
Sécurité	61	Intérieur	77
Conseils de sécurité importants	61	Préparation pour l'hiver	78
Résumé des caractéristiques	63	Solutions aux problèmes simples	79
Comment votre lave-vaisselle nettoie-t-il?	63	Nourriture restant sur la vaisselle	79
Instructions d'utilisation	64	La vaisselle n'est pas sèche	79
Pour commencer	64	Les verres et les couverts comportent	
Bruits normaux de fonctionnement	64	des taches ou sont recouverts	
Sélection du cycle de lavage	65	d'un film blanchâtre	80
Sélection du cycle	65	La vaisselle est ébréchée	80
Sélection des options d'énergie	66	La vaisselle est tachée ou décolorée	81
Sélection de la fonction	67	Attaque de surface	81
Fenêtre d'indication d'état	68	Du détergent reste dans le godet	81
Préparation et chargement de la vaisselle	69	Le lave-vaisselle fuit	82
Préparation de la vaisselle	69	Bruits normaux que vous entendrez	82
Chargement du panier supérieur	69	De l'eau reste dans le fond de la cuve	82
Chargement du panier inférieur	70	Le lave-vaisselle ne fonctionne pas	82
Réglage de la hauteur du panier	71	Le lave-vaisselle ne se	
Chargement du panier à couverts	72	vide pas correctement	83
Pour ajouter de la vaisselle	72	Le cycle prend trop de temps	83
Distributeurs du lave-vaisselle		Le lave-vaisselle ne se remplit pas	83
et détergents	73	Le lave-vaisselle a une odeur	83
Remplissage du distributeur à détergent	73	Pour enlever les taches et les films	84
Quantité de détergent à utiliser	73	Renseignements sur la garantie	85
Guide d'utilisation des détergents	74	Version espagnole	31
Produit de rinçage	75	Version anglaise	3

CONSEILS DE SÉCURITÉ IMPORTANTS

Veillez lire tous ces conseils de sécurité avant d'utiliser votre nouveau lave-vaisselle Electrolux.

AVERTISSEMENT

Pour réduire le risque d'incendie, d'électrocution ou de blessure lors de l'utilisation de votre lave-vaisselle, suivez les précautions élémentaires, notamment celles qui suivent :

- Lisez toutes les instructions avant d'utiliser votre lave-vaisselle.
- N'utilisez votre lave-vaisselle qu'en suivant les instructions contenues dans ce Guide d'utilisation et d'entretien.
- Ce manuel ne couvre pas toutes les situations possibles qui pourraient se produire. Utilisez votre bon sens et prenez des précautions lors de l'installation, de l'utilisation et de l'entretien d'un appareil ménager.
- La « National Sanitation Foundation » (NSF) certifie que les lave-vaisselle pour usage domestique ne sont pas conçus pour les établissements licenciés de restauration. Ces établissements doivent utiliser des lave-vaisselle ayant une température d'eau plus élevée pour satisfaire aux exigences de désinfection.
- **CE LAVE-VAISSELLE DOIT ÊTRE RACCORDÉ ÉLECTRIQUEMENT À LA TERRE.** Lisez les Instructions d'installation pour les détails.
- Ce lave-vaisselle est conçu pour fonctionner avec une alimentation électrique domestique normale (120 V, 60 Hz). Utilisez un circuit équipé d'un fusible ou d'un disjoncteur de 15 ampères. Utilisez un circuit comportant un fusible de 20 ampères si le lave-vaisselle est raccordé à un broyeur à déchets.
- Ne faites pas fonctionner le lave-vaisselle si tous les panneaux extérieurs ne sont pas à leur place, comme il est expliqué dans les Instructions d'installation fournies avec votre lave-vaisselle.
- Pour éviter que personne ne reste enfermé et n'étouffe, retirez la porte du compartiment de lavage quand cet ancien lave-vaisselle est mis hors service ou au rebut.
- Ne permettez pas aux jeunes enfants et aux bébés d'approcher trop près du lave-vaisselle lorsqu'il est en fonctionnement.
- N'utilisez que des détergents et des produits de rinçage recommandés pour une utilisation dans un lave-vaisselle.
- Ne maltraitez pas, ne vous asseyez pas ou ne montez pas sur la porte ou le panier du lave-vaisselle.

- Rangez le détergent et le produit de rinçage pour le lave-vaisselle hors de portée des enfants.
- Ne lavez pas dans le lave-vaisselle les articles en plastique sauf s'ils sont prévus à cet effet. Vérifiez les recommandations du fabricant s'ils ne comportent pas de marque spécifique. Les articles qui ne sont pas prévus pour être lavés au lave-vaisselle peuvent fondre et créer un danger d'incendie.
- Si le lave-vaisselle s'évacue dans un broyeur à déchets, assurez-vous que celui-ci soit complètement vide avant de faire fonctionner le lave-vaisselle.
- Coupez le courant d'alimentation du lave-vaisselle avant tout dépannage.
- Les réparations doivent être effectuées par un technicien Electrolux qualifié.
- Ne modifiez pas les commandes.
- Faites attention en enlevant la vaisselle lorsque l'option de DÉSINFECTION a été sélectionnée. Juste après la fin du cycle, la vaisselle peut être très chaude au toucher.
- Lors du chargement de la vaisselle à laver :
 - Mettez les articles pointus et les couteaux de manière à ce qu'ils ne puissent pas endommager la cuve ou son joint; et
 - Mettez les articles pointus et les couteaux la pointe en bas pour réduire le risque de blessure par coupure. Vous pouvez aussi placer les articles pointus et les couteaux sur l'étagère à ustensiles de cuisine située dans le panier supérieur.
- Dans certaines conditions, de l'hydrogène peut être libéré par un système d'eau chaude qui n'a pas été utilisé pendant 2 semaines ou plus. L'HYDROGÈNE EST UN GAZ EXPLOSIF. Si le système d'eau chaude n'a pas été utilisé pendant cette période, avant d'utiliser le lave-vaisselle, ouvrez tous les robinets d'eau chaude et laissez l'eau couler pendant plusieurs minutes. Ceci permettra à l'hydrogène accumulé de s'échapper. L'HYDROGÈNE EST UN GAZ INFLAMMABLE. Ne fumez pas et n'utilisez pas une flamme nue à ce moment là.
- Ne rangez pas ou n'utilisez pas de matériaux combustibles, d'essence ou d'autres gaz ou liquides inflammables à proximité de cet appareil ou de tout autre appareil ménager.

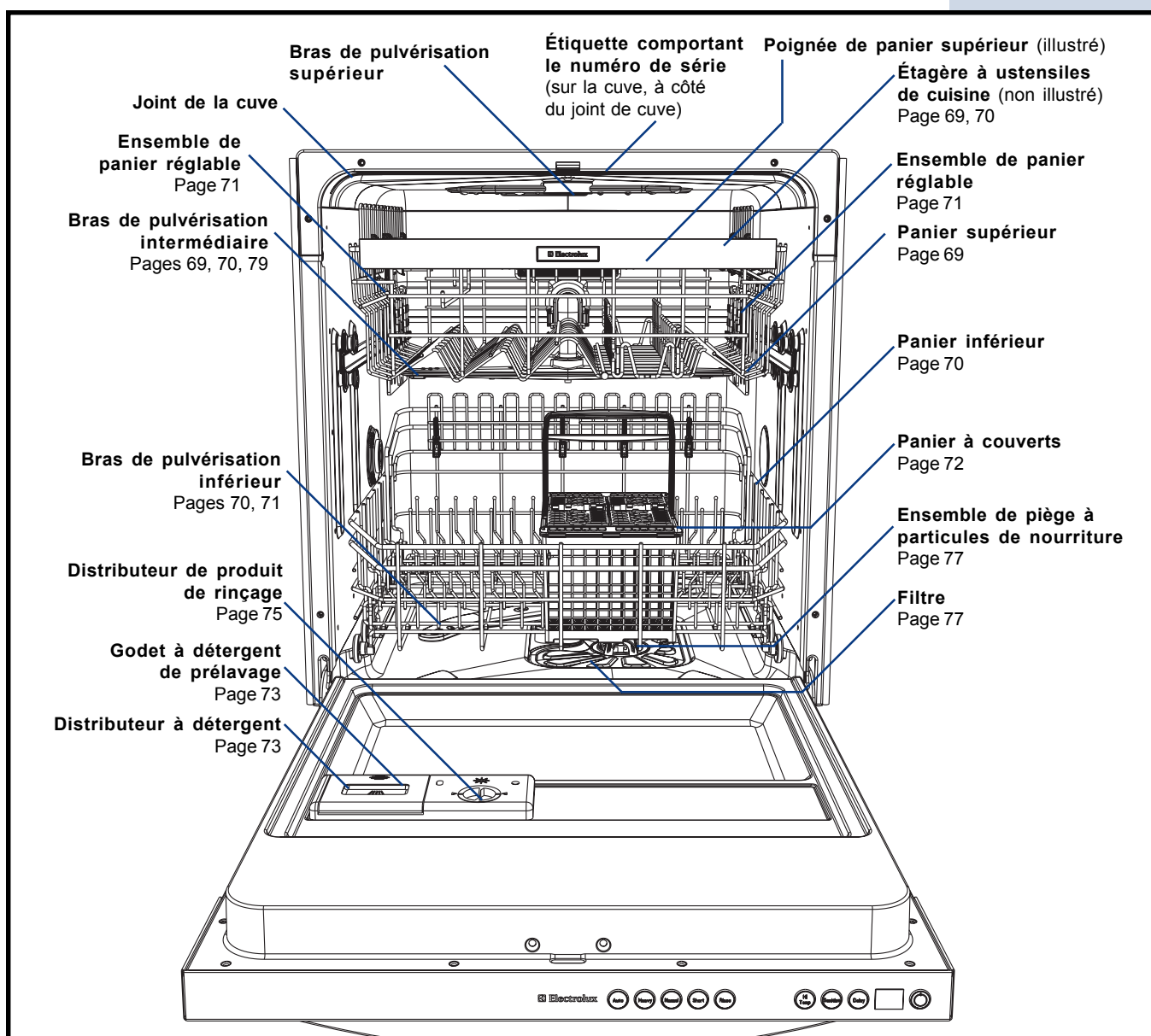
REMARQUE

CONSERVEZ CES INSTRUCTIONS DE SÉCURITÉ
IMPORTANTES POUR LES CONSULTER ULTÉRIEUREMENT.

COMMENT VOTRE LAVE-VAISSELLE NETTOIE-T-IL?

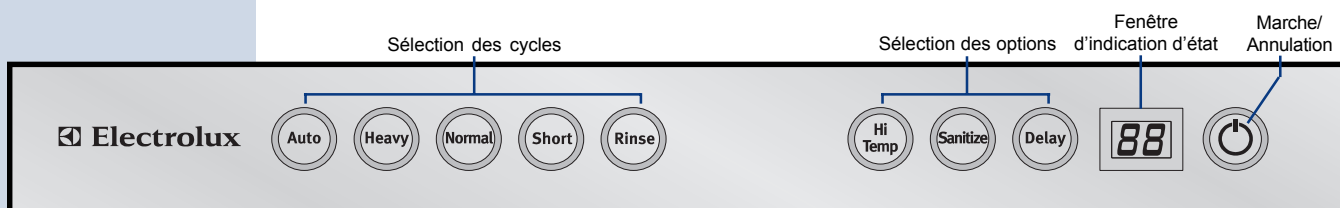
Votre lave-vaisselle nettoie la vaisselle en pulvérisant un mélange d'eau chaude et de détergent sur les surfaces sales par l'intermédiaire des bras de pulvérisation. Chaque cycle commence par une vidange préalable.

Ensuite, le lave-vaisselle se remplit d'eau pour recouvrir la zone du filtre. L'eau est alors pompée à travers le filtre dans les bras de pulvérisation. Les particules de saleté sont évacuées lorsque l'eau est vidangée et remplacée par de l'eau propre. Le nombre de remplissages dépend du cycle utilisé.



64 Instructions d'utilisation

POUR COMMENCER



Pour faire fonctionner votre lave-vaisselle, suivez ces étapes de base :

- 1 Chargez la vaisselle. (Voir Préparation et chargement de la vaisselle, pages 69 à 72.)
- 2 Ajoutez le détergent. (Voir Distributeurs du lave-vaisselle et détergents, pages 73 et 74.)
- 3 Ajoutez du produit de rinçage si nécessaire. (Voir Produit de rinçage, page 75.)
- 4 Sélectionnez le CYCLE désiré. (Voir Sélection des cycles, page 65.)
La lumière entourant le bouton s'allume pour indiquer la sélection.

REMARQUE

Les lumières entourant les boutons ne s'allument que lorsque la porte est ouverte car le lave-vaisselle est conçu de manière à ce que les commandes soient cachées sous le comptoir.

- 5 Sélectionnez les OPTIONS désirées. (Voir Sélection de l'option d'énergie, page 66.)
La lumière entourant le bouton s'allume pour indiquer la sélection.
- 6 Pour mettre en marche, appuyez sur le bouton MARCHE/ANNULATION et fermez la porte. (Voir Marche/Annulation, page 67.)

REMARQUE

Le lave-vaisselle est programmé pour garder en mémoire le dernier cycle pour que vous n'ayez pas à le faire à chaque fois. Pour démarrer le lave-vaisselle en utilisant le même cycle et les mêmes options que pour le lavage précédent, appuyez simplement le bouton MARCHE/ANNULATION.

BRUITS NORMAUX DE FONCTIONNEMENT

Votre lave-vaisselle utilise des moteurs à haut rendement pour le lavage et la vidange du cycle sélectionné. Chaque cycle présente une série de remplissages d'eau et de vidanges pour le lavage et le rinçage de la vaisselle. Au début de chaque cycle, vous pouvez éventuellement entendre le moteur de vidange. Vous pouvez également entendre l'éclaboussement de l'eau lorsqu'elle entre dans la cuve et lorsque les bras tournent et font circuler l'eau. Le moteur de lavage émet souvent des pulsations pendant le cycle, ce qui fait varier la pression de l'eau et optimise les performances.

SÉLECTION DU CYCLE DE LAVAGE

Les temps des cycles sont approximatifs et varient en fonction de l'option sélectionnée. Il est nécessaire que l'eau soit chaude pour activer le détergent de lave-vaisselle et faire fondre les graisses.

Un capteur automatique vérifie la température de l'eau d'alimentation pour le lavage principal de chaque cycle, augmentant la temporisation si nécessaire, jusqu'à ce que l'eau soit suffisamment chaude. Lorsque le LAVAGE À HAUTE TEMPÉRATURE est sélectionné, le capteur s'assure que la température de l'eau est encore plus élevée.

SÉLECTION DU CYCLE

Le capteur intelligent vérifie le niveau de saleté de votre vaisselle pour les cycles Auto, Sale, Normal et Court. En fonction du niveau de saleté, le capteur détermine si des remplissages d'eau supplémentaires sont nécessaires pour nettoyer la vaisselle ou si certains remplissages sont inutiles. Le temps du cycle et l'utilisation d'eau varient donc en fonction du degré de saleté de la vaisselle. Le temps du cycle varie également en fonction des options sélectionnées et de la température de l'eau d'alimentation.

Lavage automatique

Lorsque le lave-vaisselle est partiellement rempli de vaisselle légèrement sale, un cycle de lavage similaire à un lavage court sera effectué automatiquement. Lorsque le lave-vaisselle est complètement rempli de vaisselle très sale, un cycle de lavage similaire à un lavage pour vaisselle sale sera effectué automatiquement. La technologie de capteur intelligent du lave-vaisselle détermine le type de cycle nécessaire pour nettoyer la vaisselle et nettoie plus efficacement chaque fois. L'utilisation d'eau varie entre 3,7 et 7,3 gallons. Le temps de lavage varie entre 1,2 et 1,6 heure.

Lavage pour vaisselle sale

Pour les marmites, les casseroles, les sauteuses et les assiettes comportant des aliments secs ou attachés. L'utilisation d'eau varie entre 6,1 et 7,3 gallons. Le temps de lavage varie entre 1,5 et 1,6 heure.

Lavage normal

Pour la vaisselle et les couverts normalement sales. L'utilisation d'eau varie entre 4,9 et 7,3 gallons. Le temps de lavage varie entre 1,3 et 1,6 heure.

Lavage court

Pour la vaisselle et les couverts légèrement sales ou préalablement rincés. L'utilisation d'eau varie entre 3,7 et 6,1 gallons. Le temps de lavage varie entre 1,2 et 1,5 heure.

Rinçage

Pour rincer la vaisselle qui sera lavée plus tard. L'utilisation d'eau est de 2,4 gallons. Le temps du cycle est d'environ 20 minutes.



Auto



Heavy



Normal



Short



Rinse

66 Instructions d'utilisation

SÉLECTION DES OPTIONS D'ÉNERGIE



Lavage à haute température

Lorsque l'option LAVAGE À HAUTE TEMPÉRATURE est sélectionnée, le lave-vaisselle chauffe l'eau du lavage principal à environ 140°F (60°C).

Cette augmentation de la température de l'eau aide le détergent de lave-vaisselle à enlever les aliments, la graisse et les saletés de la vaisselle plus efficacement et aide également au séchage. L'option de LAVAGE À HAUTE TEMPÉRATURE peut être utilisée avec tous les cycles, sauf le cycle de RINÇAGE.

Lorsque l'option LAVAGE À HAUTE TEMPÉRATURE est sélectionnée, la lumière entourant le bouton s'allume et reste allumée jusqu'à la fin du cycle.

Pour arrêter l'option LAVAGE À HAUTE TEMPÉRATURE, appuyez une deuxième fois sur le bouton. La lumière entourant le bouton s'éteindra.



Désinfection

Pour désinfecter votre vaisselle et vos verres, sélectionnez l'option DÉSINFECTION. Lorsque vous sélectionnez cette option, la lumière entourant le bouton s'allume et reste allumée jusqu'à ce que le bouton MARCHE/ANNULATION soit appuyé ou que la porte soit fermée. Cette option chauffe l'eau à une température de 155°F (68°C) pendant le rinçage final et maintient cette température pendant 9 minutes. La DÉSINFECTION est possible pour les cycles de lavage automatique, de vaisselle sale, de lavage normal et de lavage court. Ces cycles de désinfection ont été conçus pour répondre aux exigences de la NSF.

Le temps de cycle sera allongé jusqu'à ce que la température d'eau appropriée soit atteinte. L'action de lavage continuera pendant l'attente pour le chauffage de l'eau. Pour de meilleurs résultats, la température de l'eau d'alimentation doit être au moins à 120°F (49°C).

La lumière entourant le bouton ne s'allumera pas en fin de cycle si les exigences de la NSF pour la désinfection ne sont pas atteintes. Les critères de désinfection peuvent ne pas être satisfaits s'il y a eu une interruption du cycle, s'il y a eu une coupure de courant ou si la température de l'eau d'alimentation est inférieure à 120°F (49°C).

Pour arrêter l'option DÉSINFECTION, appuyez une deuxième fois sur le bouton. La lumière entourant le bouton s'éteindra.

SÉLECTION DE LA FONCTION

Démarrage retardé

L'option de DÉMARRAGE RETARDÉ vous permet de retarder automatiquement le démarrage du lave-vaisselle de 1 à 24 heures.

Appuyez sur le bouton DÉMARRAGE RETARDÉ jusqu'à ce que le temps de retard désiré soit affiché dans la fenêtre d'indication d'état. Une lumière s'allumera indiquant le nombre d'heures de retard programmé et elle restera allumée jusqu'à ce que le cycle démarre.

Pour annuler l'option de DÉMARRAGE RETARDÉ et commencer le cycle avant la fin de la période d'attente programmée, appuyez sur le bouton MARCHÉ/ANNULATION.

Marche/Annulation

Pour démarrer un cycle, appuyez une fois sur le bouton MARCHÉ/ANNULATION et fermez la porte.

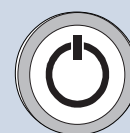
Pour annuler le cycle en cours, ouvrez la porte et appuyez une fois sur le bouton MARCHÉ/ANNULATION. Refermez la porte et le lave-vaisselle se vidangera et s'arrêtera.

REMARQUE

L'ouverture de la porte pendant le fonctionnement normal n'effectuera qu'une pause du cycle sélectionné.

Signal sonore

Votre lave-vaisselle est équipé d'un signal sonore pour indiquer de manière audible si vous avez appuyé sur un bouton de cycle ou sélectionné une option. Le signal sonore marque aussi la fin du cycle sélectionné. Appuyez simultanément sur les boutons COURT et RINÇAGE pour mettre en marche ou arrêter le signal sonore.



68 Instructions d'utilisation

FENÊTRE D'INDICATION D'ÉTAT



La FENÊTRE D'INDICATION D'ÉTAT affiche les codes qui sont normalement vus pendant le fonctionnement normal ou la programmation du lave-vaisselle. La fenêtre n'affichera rien lorsque la porte est fermée. La FENÊTRE D'INDICATION D'ÉTAT affiche les activités suivantes :

- 1-24** Indique le nombre d'heures de retard de mise en marche pour le cycle sélectionné.
- CL** Clignote une fois le programme entré et le bouton MARCHE/ANNULATION appuyé. Clignote également si la porte est ouverte pendant un cycle de lavage. Fermez la porte du lave-vaisselle pour commencer ou continuer le cycle de lavage.
- HO** Clignote pour indiquer une attente lors du chauffage de l'eau.
- PF** Apparaît dans la fenêtre lorsque le lave-vaisselle vient d'être installé pour la première fois ou lorsqu'il y a eu une coupure de courant. Les lumières entourant les boutons LAVAGE À HAUTE TEMPÉRATURE, DÉSINFECTION et MARCHE/ANNULATION clignoteront également. Pour annuler, appuyer sur le bouton MARCHE/ANNULATION.
- CF** Apparaît dans la fenêtre lorsque l'utilisateur enlève ou nettoie le filtre. Lorsque le filtre est nettoyé et remis en place, le lave-vaisselle continuera à fonctionner normalement. (Voir Entretien et nettoyage, page 77.)
- On** Apparaît dans la fenêtre si le signal sonore est activé. Appuyez simultanément sur les boutons COURT et RINÇAGE pour activer le signal sonore.
- OF** Apparaît dans la fenêtre si le signal sonore est désactivé. Appuyez simultanément sur les boutons COURT et RINÇAGE pour désactiver le signal sonore.
- LO** Apparaît dans la fenêtre si le niveau de produit de rinçage est bas. Ajoutez du produit de rinçage. (Voir Produit de rinçage, page 75.)

PRÉPARATION DE LA VAISSELLE

Enlevez les gros morceaux de nourriture, les os, les noyaux, les cure-dents, etc. Le système de lavage enlèvera les particules d'aliments restantes. Grattez doucement les aliments brûlés avec un ustensile ne rayant pas ou faites tremper le plat avant de le laver. Videz les liquides des verres et des tasses.

Les aliments contenant des huiles végétales et/ou des additifs chimiques tels que la moutarde, la mayonnaise, le vinaigre, le jus de citron ou des produits à base de tomates, peuvent provoquer une décoloration de l'acier inox et des plastiques s'ils restent en contact pendant longtemps avec ces objets. Sauf si le lave-vaisselle doit être mis en marche immédiatement, il est conseillé de rincer ce genre de résidus alimentaires.

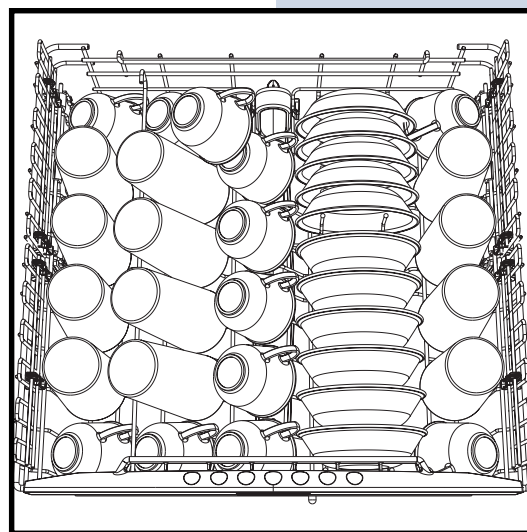
- Chargez les paniers de façon à ce que les gros objets n'empêchent pas le distributeur de détergent de s'ouvrir.
- Vérifiez les recommandations du fabricant avant de laver des objets dont on n'est pas sûr.
- Si le lave-vaisselle se vidange dans un broyeur à déchets, **assurez-vous que le broyeur à déchets est complètement vide avant de mettre en marche le lave-vaisselle.**



CHARGEMENT DU PANIER SUPÉRIEUR

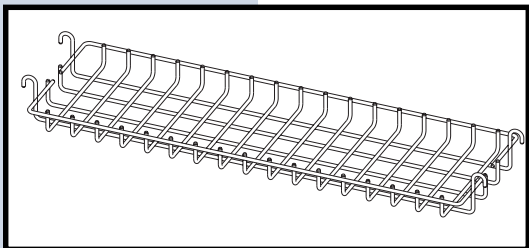
Le panier supérieur est conçu pour pouvoir disposer à votre guise de nombreux objets, y compris les tasses, les verres, les verres à pied, les petites assiettes, les bols, etc.

- Disposez les verres dans le panier supérieur. Ils peuvent être endommagés s'ils sont placés dans le panier inférieur.
- Placez les objets avec l'ouverture vers le bas pour qu'ils soient mieux nettoyés et qu'ils s'égouttent bien.
- Les objets délicats peuvent être endommagés s'ils se touchent pendant le fonctionnement du lave-vaisselle.
- Les couteaux à manche long et les ustensiles de cuisine peuvent être placés sur l'étagère à ustensiles du panier supérieur.
- Assurez-vous que rien ne dépasse en dessous du panier supérieur qui viendrait bloquer la rotation du bras de pulvérisation intermédiaire.



70 Préparation et chargement de la vaisselle

Étagère à ustensiles de cuisine

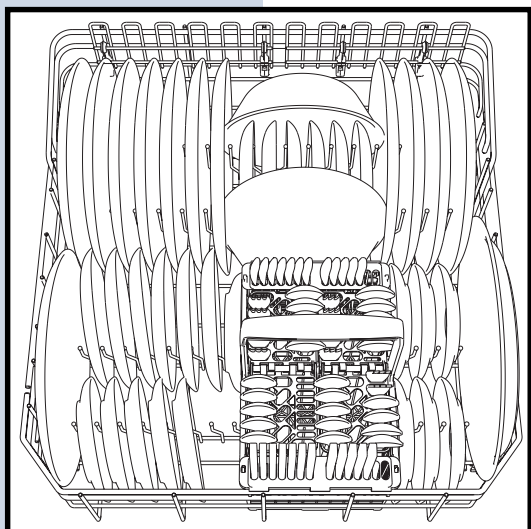


L'étagère à ustensiles peut être utilisée dans le panier supérieur pour contenir les spatules, les grandes cuillères et d'autres grands ustensiles.

REMARQUE

Les caractéristiques de votre modèle de lave-vaisselle peuvent être différentes en apparence par rapport aux illustrations de ce manuel.

CHARGEMENT DU PANIER INFÉRIEUR



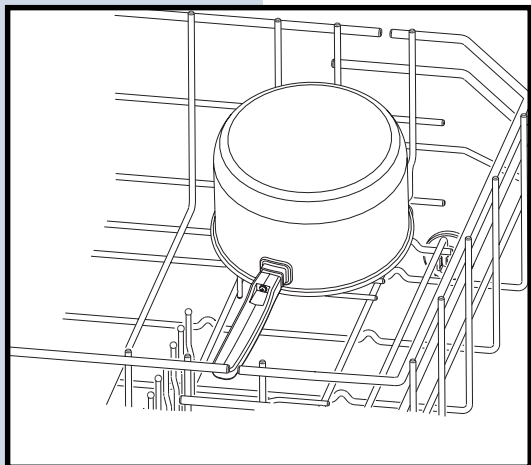
Le panier inférieur est conçu pour contenir les assiettes, les casseroles, les bols et la batterie de cuisine.

- Les gros objets doivent être placés le long des bords pour ne pas bloquer la rotation du bras de pulvérisation intermédiaire.
- Pour obtenir de meilleurs résultats, placez les bols, les sauteuses et les casseroles avec la surface sale dirigée vers le bas ou vers le centre. Inclinez-les légèrement pour qu'ils s'égouttent bien.
- Assurez-vous que les objets hauts ne bloquent pas la rotation du bras de pulvérisation intermédiaire.
- Assurez-vous que les poignées des casseroles ne dépassent pas en dessous du panier et ne bloquent pas la rotation du bras de pulvérisation inférieur.
- Des ustensiles supplémentaires ou des tasses peuvent être placés sur les étagères à tasses arrière.

Tiges repliables

Les tiges repliables du panier inférieur facilitent le chargement des très gros objets et de ceux qui sont difficiles à placer. Les tiges peuvent être redressées pour une utilisation normale ou être repliées pour une plus grande flexibilité de chargement.

Repliez les tiges pour faciliter le chargement des grandes marmites ou des casseroles.



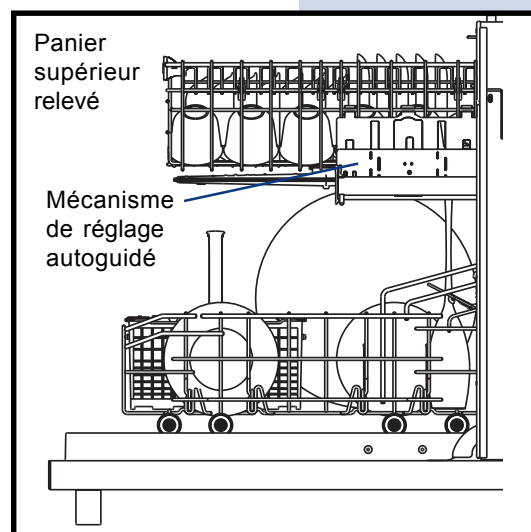
RÉGLAGE DE LA HAUTEUR DU PANIER

La hauteur du panier supérieur peut être facilement réglée pour pouvoir placer des objets plus hauts dans un panier ou dans l'autre. La hauteur peut être réglée lorsque les paniers sont vides ou pleins de vaisselle.

Pour pouvoir placer des objets plus hauts dans le panier inférieur, relevez le panier supérieur de la manière suivante :

- 1 Soulevez le panier supérieur de chaque côté, en tirant vers le milieu, pour le mettre dans la position supérieure. Le mécanisme de réglage autoguidé se bloquera lorsque la position haute est atteinte.

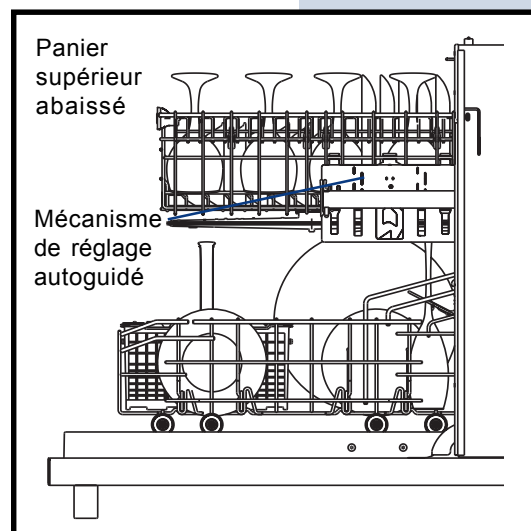
La position supérieure fournit environ 2 pouces de hauteur supplémentaire pour les objets placés dans le panier inférieur.



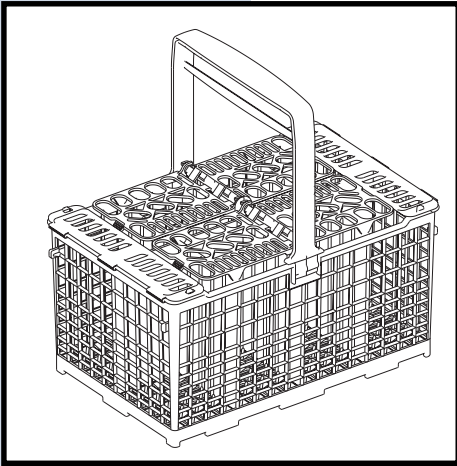
Pour pouvoir placer des objets plus hauts dans le panier supérieur, abaissez le panier supérieur de la manière suivante :

- 1 Soulevez le panier de chaque côté, en tirant vers le milieu, jusqu'à ce qu'il se soulève légèrement.
- 2 Abaissez doucement le panier dans la position inférieure. Le mécanisme de réglage autoguidé se bloquera lorsque la position basse est atteinte.

Cette position fournit environ 2 pouces de hauteur supplémentaire pour les objets placés dans le panier supérieur.

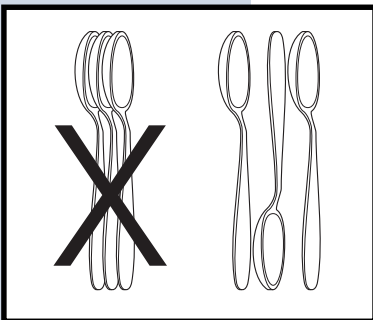


CHARGEMENT DU PANIER À COUVERTS



Chargez le panier à couverts lorsqu'il est dans le panier inférieur ou sortez le panier pour placer les couverts dedans en le plaçant sur le comptoir ou sur la table.

- Placez les petits objets comme les capuchons des biberons, les couvercles de pots, les piques pour le maïs, etc. dans la partie couverte. Fermez le couvercle pour maintenir les petits objets en place.
- Assurez-vous que rien ne dépasse du dessous du panier ou du panier inférieur qui pourrait bloquer la rotation du bras de pulvérisation inférieur.
- Ne mélangez pas les couverts en inox avec ceux en métal argenté pour éviter d'endommager la finition du métal argenté.



ATTENTION

POUR ÉVITER DE SE COUPER : Placez les objets pointus (couteaux, brochettes, etc.) avec la pointe vers le bas. Le non-respect de ces instructions peut entraîner des blessures.

Lorsque les couvercles sont relevés, mélangez les objets non pointus dans chaque partie du panier, les uns la tête en haut, les autres la tête en bas pour éviter qu'ils ne s'emboîtent. La pulvérisation d'eau ne peut pas atteindre les objets emboîtés.

POUR AJOUTER DE LA VAISSELLE

Pour ajouter ou enlever de la vaisselle un fois le cycle démarré :

- 1 Ouvrez légèrement la porte et attendez quelques secondes jusqu'à ce que le lavage s'arrête avant d'ouvrir la porte complètement.
- 2 Ajoutez l'objet.
- 3 Fermez fermement la porte pour la verrouiller et le cycle se remettra en marche automatiquement.

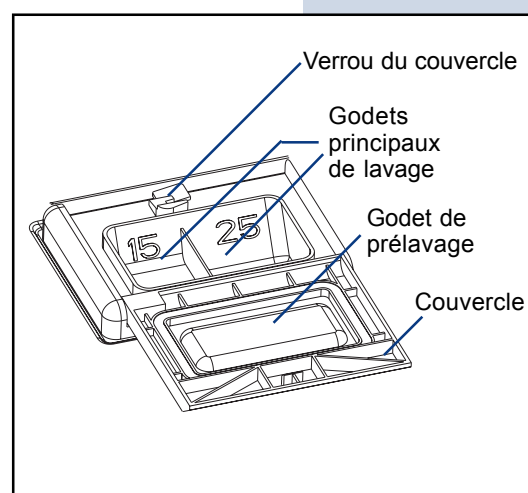
ATTENTION

POUR ÉVITER DES BRÛLURES : Ouvrez légèrement la porte et attendez que les bras de pulvérisation s'arrêtent de tourner et que le lavage s'arrête. L'eau chaude peut gicler hors du lave-vaisselle. Le non-respect de ces instructions peut entraîner des blessures.

REPLISSAGE DU DISTRIBUTEUR DE DÉTERGENT

Le distributeur de détergent possède deux godets et un couvercle. Remplissez un godet pour une petite charge. Remplissez les deux godets pour les plus grosses charges. Fermez le couvercle et ajoutez du détergent dans le creux du couvercle pour le prélavage. Le détergent pour le prélavage dans le creux du couvercle tombera dans le lave-vaisselle lorsque la porte sera fermée. Les godets fermés s'ouvriront automatiquement pour relâcher le détergent.

- N'utilisez que du détergent pour lave-vaisselle automatique. Les autres détergents provoqueront une mousse trop abondante.
- Lors de l'utilisation de tablettes de détergent pour lave-vaisselle automatique, placez une tablette dans le godet principal de lavage et fermez le couvercle.
- Ajoutez le détergent juste avant le démarrage du cycle.
- Rangez le détergent dans un endroit frais et sec. Les détergents humides ou agglomérés ne se dissoudront pas correctement.



QUANTITÉ DE DÉTERGENT À UTILISER

La quantité de détergent à utiliser dépend de la dureté de l'eau. *La dureté de l'eau est mesurée en grains par gallon (gr./gal.).* L'eau dure contient une grande quantité de minéraux durs sous forme granulaire, au-dessus de 10 à 11 grains par gallon, qui peut affecter la qualité de l'eau.

L'utilisation de trop peu de détergent peut résulter en un mauvais nettoyage et en un film ou des taches d'eau dure. L'utilisation de trop de détergent avec une eau douce peut provoquer le dépôt d'un film permanent qui est assimilé à attaque de surface. (Voir Attaque de surface, page 81.)

Votre compagnie de distribution d'eau locale, une compagnie de vente d'adoucisseurs d'eau ou l'agent de ces sociétés dans votre comté peut vous donner des renseignements sur la dureté de l'eau dans votre région.

GUIDE D'UTILISATION DES DÉTERGENTS

Référez-vous au tableau ci-dessous pour l'utilisation recommandée des détergents.

Cycle	Eau douce (0 à 3 grains)	Eau de dureté moyenne (4 à 8 grains)	Eau dure (9 à 12 grains)	Eau très dure* (au-dessus de 12 grains)
Lavage de vaisselle sale ou lavage normal	2 cuillères à café (godet de lavage principal : 1/4 plein)	5 cuillères à café (godet de lavage principal : remplir jusqu'à la ligne au-dessus de la mention « normal »)	8 cuillères à café (godet de lavage principal : complètement plein)	Chaque godet complètement plein (Adoucisseur d'eau recommandé)
Lavage court	2 cuillères à café (godet de lavage principal : 1/4 plein)	5 cuillères à café (godet de lavage principal : remplir jusqu'à la ligne au-dessus de la mention « normal »)	8 cuillères à café (godet de lavage principal : complètement plein)	Chaque godet complètement plein (Adoucisseur d'eau recommandé)
Rinçage	Pas de détergent	Pas de détergent	Pas de détergent	Pas de détergent (Adoucisseur d'eau recommandé)

Comme l'indique la dernière colonne de ce tableau, un adoucisseur d'eau est recommandé pour améliorer la qualité de l'eau et les performances du lave-vaisselle lorsqu'on utilise de l'eau très dure.

Autres suggestions :

- Essayez d'ajouter plus de détergent au début de la phase principale du cycle de lavage.
- En règle générale, utilisez une cuillère à café de détergent pour chaque grain au-dessus de 12 grains. Déverrouillez la porte, ouvrez-la lentement et ajoutez le détergent dans le fond de la cuve.
- Fermez la porte pour la verrouiller et le lave-vaisselle continuera son cycle.

PRODUIT DE RINÇAGE

Le produit de rinçage améliore de beaucoup le séchage et réduit le risque de formation de taches et de films dus à l'eau. Il permet à l'eau de s'écouler de la vaisselle plutôt que de former des gouttelettes qui s'accrochent et laissent des taches.

Le distributeur de produit de rinçage, situé près du godet à détergent, relâche automatiquement une quantité mesurée de produit de rinçage lors du dernier rinçage. Si vous observez des taches et que le séchage n'est pas parfait, augmentez la quantité de produit de rinçage distribuée en tournant le réglage sur un numéro plus élevé. Le réglage est situé sous le bouchon du distributeur.

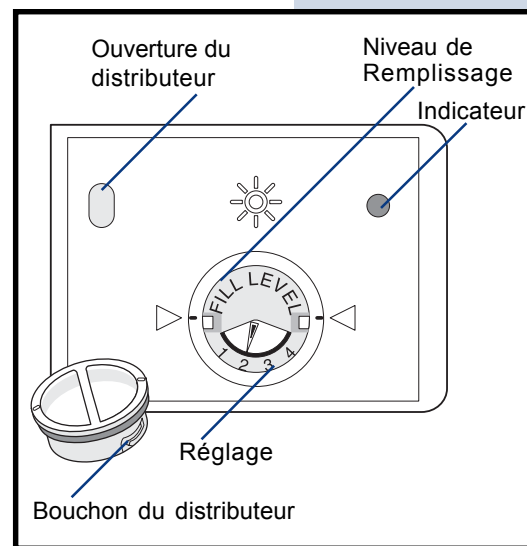
L'indicateur est sombre lorsque le distributeur est plein et devient clair lorsqu'il est temps de le remplir.

Les modèles possédant une fenêtre d'indication d'état affichent LO à la fin du cycle pour indiquer qu'il est temps de refaire le plein du produit de rinçage.

Pour ajouter du produit de rinçage liquide :

- 1 Tournez le bouchon du distributeur de 1/4 de tour dans le sens horaire et retirez-le.
- 2 Versez le produit de rinçage jusqu'à ce qu'il atteigne le niveau maximum de remplissage. Ne remplissez pas trop car cela provoquerait la formation d'une quantité de mousse trop importante.
- 3 Remettez le bouchon.
- 4 Essayez tout débordement à l'aide d'un chiffon humide.

Le distributeur contient assez de produit pour environ 35 à 140 vaisselles, en fonction du réglage.



76 Facteurs affectant les performances

PRESSION DE L'EAU

Le tuyau d'alimentation en eau chaude du lave-vaisselle doit fournir une pression d'eau comprise entre 20 et 120 livres par pouce carré (lb/po²).

Une baisse de pression d'eau peut se produire lorsqu'un lave-linge fonctionne ou que quelqu'un prend une douche. Attendez que l'utilisation d'eau soit moins importante avant de mettre en marche le lave-vaisselle.

TEMPÉRATURE DE L'EAU

Il est nécessaire de disposer d'eau chaude pour obtenir les meilleurs résultats de lavage et de séchage. L'eau alimentant le lave-vaisselle doit être à au moins 120°F (49°C) pour donner de bons résultats.

Pour vérifier la température de l'eau d'alimentation du lave-vaisselle :

- 1 Ouvrez le robinet d'eau chaude le plus près du lave-vaisselle pendant quelques minutes pour purger l'eau froide des tuyaux d'eau.
- 2 Maintenez un bonbon ou un thermomètre à viandes dans le courant d'eau sortant du robinet pour vérifier la température.
- 3 Si la température est inférieure à 120°F (49°C), demandez à une personne qualifiée de remonter la température du thermostat de votre chauffe-eau.

IMPORTANT

Avant de commencer un cycle, faites couler l'eau chaude pour purger l'eau froide des tuyauteries.

EXTÉRIEUR

De temps en temps, nettoyez les surfaces extérieures de votre lave-vaisselle à l'aide d'eau et d'un détergent non abrasif. Rincez et séchez.

Porte en acier inox

Nettoyez la porte en acier inox et la poignée avec un chiffon à vaisselle et de l'eau chaude savonneuse. Rincez avec un chiffon et de l'eau propre. N'utilisez pas de nettoyeurs de récurage durs. Utilisez seulement des nettoyeurs de cuisine spécialement conçus pour le nettoyage de l'acier inox.

INTÉRIEUR

Enlevez les taches sur la porte et sur la cuve à l'aide d'un chiffon mouillé non abrasif. Si cela est nécessaire, nettoyez la zone du joint de la cuve à l'aide d'un chiffon mouillé.

IMPORTANT

À lire avant de faire fonctionner votre lave-vaisselle!

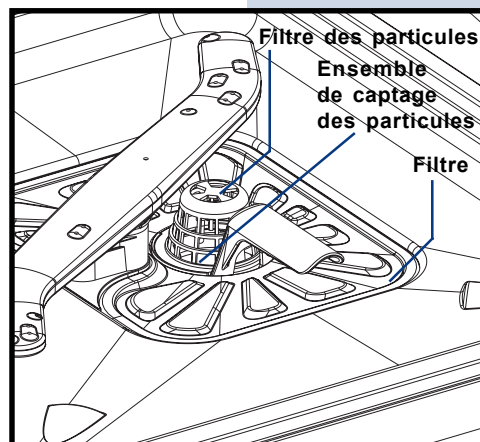
Entretien du filtre

Votre lave-vaisselle est équipé d'un système de lavage à la pointe du progrès. Le système de lavage à alimentation directe est invisible et distribue l'eau en utilisant une technologie de lavage par pulsations permettant un lavage silencieux et plus efficace.

Périodiquement, le filtre et l'ensemble de captage des particules peuvent avoir besoin d'être nettoyés pour retrouver des performances de lavage maximum. Votre lave-vaisselle peut indiquer ce besoin lorsque l'indication CF clignote dans la fenêtre d'indication d'état. Enlevez, nettoyez et remettez le filtre et l'ensemble de captage des particules en suivant les instructions ci-dessous :

Pour nettoyer le filtre :

- 1 Enlevez tous les débris du filtre et de l'ensemble de captage des particules.
- 2 Enlevez l'ensemble de captage des particules en tournant la poignée de 90° dans le sens antihoraire. Nettoyez-le avec de l'eau et du savon doux.
- 3 Soulevez le filtre pour l'enlever en prenant soin qu'aucun aliment ne tombe dans la zone de vidange de la pompe. Nettoyez-le avec de l'eau et du savon doux.
- 4 Remettez le filtre et l'ensemble de captage des particules en place.
- 5 Tournez de 90° l'ensemble de captage des particules et tirez-le légèrement pour vous assurer qu'il est bien verrouillé en place.



78 Entretien et nettoyage

Entretien de l'écart anti-retour d'évacuation

Si un écart anti-retour d'évacuation a été installé pour votre lave-vaisselle, vérifiez qu'il est propre de façon à ce que la vidange du lave-vaisselle se fasse correctement. Un écart anti-retour d'évacuation est normalement installé sur l'évier du comptoir et peut être inspecté en enlevant le couvercle. Ce dispositif ne fait pas partie de votre lave-vaisselle et n'est pas couvert par la garantie.

ATTENTION

Des températures en dessous du point de congélation peuvent faire éclater les tuyaux d'eau. Assurez-vous que tous les tuyaux d'alimentation du lave-vaisselle sont protégés. La non-observation de cet avertissement peut entraîner des dommages matériels.

PRÉPARATION POUR L'HIVER

Un lave-vaisselle laissé dans un endroit sans chauffage doit être protégé du gel. Demandez à une personne qualifiée d'effectuer les opérations suivantes :

Pour débrancher l'alimentation :

- 1 Coupez l'alimentation électrique du lave-vaisselle en enlevant les fusibles ou en déclenchant le disjoncteur.
- 2 Coupez l'alimentation d'eau.
- 3 Placez un récipient sous la vanne d'entrée. Débranchez le tuyau d'alimentation en eau de la vanne d'entrée et laissez l'eau s'écouler dans le récipient.
- 4 Débranchez le tuyau de vidange de la pompe et laissez l'eau s'écouler dans le récipient.

REMARQUE

Voyez les instructions d'installation pour plus de détails.

Pour remettre en service :

- 1 Rebranchez l'alimentation en eau et le tuyau de vidange, ainsi que l'alimentation électrique.
- 2 Remettez l'eau et l'électricité en service.
- 3 Remplissez les deux godets de détergent et effectuez un cycle pour VAISSELLE SALE.

REMARQUE

Voyez les instructions d'installation pour plus de détails.

IMPORTANT

Avant d'appeler pour un dépannage, relisez ce chapitre. Il peut vous gagner du temps et vous économiser de l'argent. Ce chapitre contient les solutions aux problèmes simples qui ne sont pas le résultat d'un défaut de main-d'œuvre ou de matériaux défectueux de votre lave-vaisselle.

NOURRITURE RESTANT SUR LA VAISSELLE

- Vérifiez la température de l'alimentation en eau. (Voir Pour commencer, page 64.) Elle doit être d'au moins 120°F (49°C). (Voir Facteurs affectant les performances, page 76.)
- Choisissez un autre cycle pour un temps de lavage plus long.
- Vérifiez que les paniers sont bien chargés. Évitez l'emboîtement des objets.
- La pression d'eau de la maison peut être trop basse. Elle doit être comprise entre 20 et 120 livres par pouce carré (lb/po²).
- Vérifiez la dureté de l'eau. Pour les eaux très dures, il peut être nécessaire d'installer un adoucisseur d'eau. (Voir Guide d'utilisation du détergent, page 74.)
- Utilisez un nouveau détergent.
- Assurez-vous qu'aucun objet ne bloque l'un des bras de pulvérisation, l'empêchant de tourner.

LA VAISSELLE N'EST PAS SÈCHE

- Assurez-vous que le distributeur de produit de rinçage est rempli.
- Augmentez la quantité de produit de rinçage (Voir Produit de rinçage, page 75).
- Vérifiez la température de l'alimentation en eau. Assurez-vous qu'elle est d'au moins 120°F (49°C).
- Vérifiez le chargement. Évitez l'emboîtement des objets.
- Les objets en plastique peuvent avoir besoin d'être essuyés. Il y a plus d'eau qui reste sur les objets en plastique car leur surface n'est pas aussi chaude que celle des objets en verre ou en métal.
- Les tasses avec un fond concave gardent l'eau.

LES VERRES OU LES COUVERTS COMPORTENT DES TACHES OU SONT RECOUVERTS D'UN FILM BLANCHÂTRE

- Vérifiez la dureté de l'eau. Pour des eaux très dures, il peut être nécessaire d'installer un adoucisseur d'eau. (Voir Guide d'utilisation du détergent, page 74.)
- La température de l'eau peut être trop basse. Évitez les températures extrêmement basses ou hautes. (Voir Facteurs affectant les performances, page 76.)
- Évitez de trop charger le lave-vaisselle ou de le charger de manière incorrecte. (Voir Préparation et chargement de la vaisselle, pages 69 à 72.)
- Utilisez un nouveau détergent. Un vieux détergent n'est pas efficace.
- Assurez-vous que le distributeur de produit de rinçage est plein.
- Vérifiez si la quantité appropriée de détergent est utilisée pour le cycle sélectionné. (Voir Distributeur de détergent, page 73.)
- La pression d'eau de la maison peut être trop basse. Elle doit être comprise entre 20 et 120 livres par pouce carré (lb/po²).

LA VAISSELLE EST ÉBRÉCHÉE

- Chargez la vaisselle avec soin et ne surchargez pas le lave-vaisselle. (Voir Préparation et chargement de la vaisselle, pages 69 à 72.)
- Placez les objets délicats dans le panier supérieur.
- Appuyez bien les verres contre les tiges et ne les placez pas sur les tiges.
- Rangez les objets de façon à ce qu'ils soient stables et qu'ils ne basculent pas lors du déplacement des paniers. Tirez ou poussez les paniers lentement.
- Assurez-vous que les grands verres et les verres à pied ne touchent pas le dessus de la cuve lorsque le panier est repoussé.
- Il est recommandé de laver la porcelaine fine ancienne et les cristaux à la main.

LA VAISSELLE EST TACHÉE OU DÉCOLORÉE

- Le thé et le café peuvent tacher les tasses. Enlevez les taches en lavant à la main dans une solution d'eau de javel d'1/2 tasse (120 mL) dans un quart (1 L) d'eau tiède. Rincez soigneusement.
- Les dépôts de fer dans l'eau peuvent provoquer un film jaune ou brun. Un filtre à eau installé dans la tuyauterie d'alimentation corrigera ce problème.
- Les ustensiles de cuisine en aluminium peuvent laisser des marques grises ou noires lorsqu'ils frottent sur les autres objets. Effectuez correctement le chargement.
- Certains aliments très acides peuvent provoquer la décoloration de l'acier inox et des plastiques s'ils sont en contact avec ces objets pendant longtemps. Utilisez le cycle de rinçage ou rincez à la main si le lave-vaisselle n'est pas mis en marche immédiatement.
- Le mélange de couverts en acier inox et en métal argenté dans le panier à couverts peut provoquer des points d'attaque sur les lames en acier inox. Évitez de mélanger les couverts en acier inox et en métal argenté.

ATTAQUE DE SURFACE

- L'utilisation d'une trop grande quantité de détergent avec une eau douce ou adoucie provoque ce film qui ne peut pas être enlevé.
- Ajustez la quantité de détergent en fonction de la dureté de l'eau. (Voir Guide d'utilisation du détergent, page 74.)
- Abaissez la température de l'eau.

DU DÉTERGENT RESTE DANS LE GODET

- Le détergent peut être vieux. Jetez-le et utilisez un nouveau détergent.
- Assurez-vous que l'action de l'eau peut atteindre le distributeur.
- Vérifiez que le cycle est bien terminé.
- Assurez-vous que des objets n'empêchent pas le distributeur de s'ouvrir.
- Assurez-vous que le panier supérieur est fermement attaché à la buse située à l'arrière de la cuve avant de fermer la porte.

82 Solutions aux problèmes simples

LE LAVE-VAISSELLE FUIT

- Utilisez seulement un nouveau paquet de détergent conçu pour les lave-vaisselle automatiques. Mesurez le détergent soigneusement. Essayez une marque différente.
- Du produit de rinçage renversé peut provoquer de la mousse et entraîner un débordement. Essayez tout renversement avec un chiffon mouillé.
- Vérifiez que le lave-vaisselle est bien de niveau. (Voir Instructions d'installation.)

BRUITS NORMAUX QUE VOUS ENTENDREZ

- Les bruits normaux comprennent le remplissage de l'eau, la circulation de l'eau et les bruits des moteurs.
- La pulsation de la pompe provoque une augmentation et une diminution de la vitesse du moteur à intervalles réguliers pendant les cycles.

DE L'EAU RESTE DANS LE FOND DE LA CUVE

- Il n'est pas normal que de l'eau reste dans le fond de la cuve à la fin du cycle. Si c'est le cas, le lave-vaisselle peut ne pas se vidanger correctement. (Voir Le lave-vaisselle ne se vide pas correctement, page 83.) Il peut aussi être nécessaire de nettoyer le filtre. (Voir Entretien du filtre, page 77.)
Remarque : Il est normal de voir un peu d'eau sous le filtre à la fin d'un cycle.

LE LAVE-VAISSELLE NE FONCTIONNE PAS

- Vérifiez que le disjoncteur n'est pas déclenché ou que le fusible n'est pas brûlé.
 - Assurez-vous que l'alimentation en eau est ouverte.
 - Vérifiez que le cycle est programmé correctement. (Voir Instructions d'utilisation, pages 64 à 68.)
 - Vérifiez que l'option de RETARD de démarrage n'a pas été sélectionnée.
 - Assurez-vous que la porte est fermée et verrouillée.
-

LE LAVE-VAISSELLE NE SE VIDE PAS CORRECTEMENT

- Si l'appareil est raccordé à un broyeur à déchets, assurez-vous que le broyeur est vide.
- Si l'appareil est raccordé à un nouveau broyeur à déchets, vérifiez que le bouchon à défoncer situé à l'intérieur de l'entrée du broyeur a bien été enlevé.
- Vérifiez que le tuyau de vidange n'est pas pincé.
- Assurez-vous que le cycle est terminé, que ce n'est pas une simple pause.

LE CYCLE PREND TROP DE TEMPS

- Vérifiez que le cycle n'est pas dans une phase de chauffage de l'eau.
- Vérifiez que l'option de retard de démarrage n'a pas été sélectionnée.
- Vérifiez que l'option de désinfection n'a pas été sélectionnée.

LE LAVE-VAISSELLE NE SE REMPLIT PAS

- Vérifiez que l'alimentation en eau est ouverte.
- Ajoutez 1/2 tasse d'eau dans le fond de l'appareil et démarrez-le à nouveau.

LE LAVE-VAISSELLE A UNE ODEUR

- La vaisselle sale laissée dans le lave-vaisselle trop longtemps peut développer une odeur. Utilisez le cycle de rinçage.
- Lors de la première installation il y a une odeur de « neuf ». Ceci est normal.
- Vérifiez que l'appareil se vidange correctement. Voir Le lave-vaisselle ne se vide pas correctement, page 83.)

84 Solutions aux problèmes simples

POUR ENLEVER LES TACHES ET LES FILMS

L'eau dure peut laisser un dépôt de calcaire à l'intérieur du lave-vaisselle. La vaisselle et les verres peuvent aussi avoir des taches ou un film pour de nombreuses autres raisons. (Voir Les verres et les couverts comportent des taches ou sont recouverts d'un film blanchâtre, page 80.)

Pour enlever les dépôts, les taches et les films, faites un cycle en suivant les instructions ci-dessous :

- 1 Chargez la vaisselle et les verres propres de la manière normale. Ne mettez pas de couverts ou d'ustensiles en métal.
- 2 N'ajoutez pas de détergent.
- 3 Sélectionnez le cycle de LAVAGE NORMAL. Appuyez sur le bouton MARCHE/ANNULATION et fermez la porte.
- 4 Laissez le lave-vaisselle tourner jusqu'au début du deuxième remplissage. Ouvrez la porte et versez 2 tasses de vinaigre blanc dans le fond du lave-vaisselle.
- 5 Fermez et verrouillez la porte. Laissez le cycle se terminer.

REMARQUE

Si ces conditions persistent, vous devrez envisager l'adjonction d'un adoucisseur d'eau pour la maison.

GARANTIE – LAVE-VAISSELLE *Votre lave-vaisselle est couvert par cette garantie*

	PÉRIODE DE GARANTIE	NOUS NOUS ENGAGEONS, PAR L'ENTREMISE DE NOS CENTRES DE SERVICES APRÈS-VENTE AUTORISÉS, À :	LE CONSOMMATEUR EST RESPONSABLE DE CE QUI SUIT :
GARANTIE COMPLÈTE D'UN AN	Un an à compter de la date d'achat initiale.	Réparer ou remplacer gratuitement toute pièce de cet appareil comportant un vice de matériau ou de fabrication.	Le coût des visites de service après-vente décrites dans la rubrique RESPONSABILITÉS GÉNÉRALES OU CONSOMMATEUR.*
GARANTIE LIMITÉE DE 5 ANS	Deuxième à cinquième année à compter de la date d'achat initiale.	Remplacer toute commande électronique qui tomberait en panne par suite d'un défaut de fabrication. Remplacer tout panier d'origine, recouvert de nylon, inférieur ou supérieur, qui pèlerait ou rouillerait par suite d'un défaut de fabrication. Remplacer les éléments principaux du système de distribution de l'eau qui tomberaient en panne par suite de défaut de fabrication. Ceci comprend le moteur, la pompe, le bras de lavage inférieur, le bras gicleur supérieur avec la tuyauterie d'alimentation connexe, ainsi que l'ensemble de filtre. Les pièces connexes de la canalisation d'évacuation et d'arrivée d'eau ne sont pas couvertes par cette garantie.	Tous frais engagés pour aller chercher et livrer le produit dans le cadre du service après-vente et tous frais de transport et main-d'oeuvre. Pièces connexes de canalisation d'évacuation et d'arrivée d'eau.
GARANTIE LIMITÉE À VIE	Durée de vie du produit.	Fournir une garniture de porte ou une cuve de remplacement si la garniture de porte ou la cuve d'origine n'est pas étanche à l'eau par suite d'un défaut de fabrication.	Joints de porte; tous frais engagés pour aller chercher et livrer le produit dans le cadre du service après-vente et tous frais de transport et main-d'oeuvre.
GARANTIE LIMITÉE (s'applique en Alaska)	Durées décrites ci-dessus.	Respecter toutes les dispositions des garanties complètes ci-dessus ainsi que les exclusions décrites ci-dessous.	Les frais de transport du technicien pour se rendre au domicile du consommateur et tous frais engagés pour aller chercher et livrer le produit dans le cadre du service après-vente.

Aux É.-U., votre appareil est garanti par Electrolux Home Products, Inc. Nous n'autorisons personne d'autre à modifier ni à accroître nos obligations aux termes de cette garantie. Nos obligations en matière de service après-vente et de pièces prévues par cette garantie doivent être satisfaites par nous ou par un réparateur agréé de Electrolux Home Products, Inc. Au Canada, votre appareil est garanti par Electrolux Canada Corp.

***RESPONSABILITÉS GÉNÉRALES DU CONSOMMATEUR** Cette garantie ne s'applique qu'à l'utilisation domestique normale du produit et le consommateur est responsable des éléments énumérés ci-dessous:

- Utilisation appropriée de l'appareil conformément aux directives qui accompagnent le produit.
- Installation correcte par un agent de service après-vente autorisé conformément aux directives qui accompagnent l'appareil et à tous les codes locaux de plomberie, d'électricité et de gaz.
- Branchement correct à une source d'alimentation mise à la terre de tension suffisante, remplacement des fusibles grillés, réparation des branchements lâches et des défauts dans le câblage de la maison.
- Frais engagés pour rendre l'appareil accessible aux fins de réparation, comme le retrait de toute garniture, d'armoires, d'étagères, etc. ne faisant pas partie de l'appareil au moment de son expédition par l'usine.
- Domages à la surface après l'installation.

EXCLUSIONS

Cette garantie ne couvre pas les éléments suivants:

- LES DOMMAGES INDIRECTS OU ACCESSOIRES COMME LES DOMMAGES MATÉRIELS ET LES DÉPENSES ACCESSOIRES RÉSULTANT D'UNE VIOLATION DES CONDITIONS DE CETTE GARANTIE ÉCRITE OU DE TOUTE GARANTIE IMPLICITE.
Remarque: Certains états ne permettent pas l'exclusion ou la limitation des dommages indirects ou accessoires; cette limitation ou exclusion peut donc ne pas s'appliquer dans votre cas.
- Les visites de service après-vente qui ne sont liées à aucune faute de fonctionnement ni à aucun vice de fabrication ou de matériau ou qui concernent des appareils qui ne sont pas utilisés dans des conditions domestiques normales. Le consommateur doit payer les frais de ces visites de service après-vente.
- Les dommages causés dans le cadre de tout entretien effectué par une personne autre que Electrolux Home Products, Inc., Electrolux Canada Corp. ou leurs réparateurs agréés; l'utilisation de pièces autres que des pièces de rechange authentiques de Electrolux; les pièces obtenues auprès de personnes autres qu'un réparateur agréé; et les causes de dommages externes comme l'utilisation abusive ou inappropriée, une source d'alimentation électrique inadéquate ou un cas fortuit.
- Les produits dont le numéro de série initial a été oblitéré ou modifié et ne peut pas être déterminé aisément.

POUR UN SERVICE APRÈS-VENTE

Conservez le reçu d'achat, le bon de livraison ou tout autre reçu de paiement approprié. La date qui figure sur la facture permet d'établir la période de garantie lorsqu'un service après-vente est requis. Si vous devez vous prévaloir de la garantie, il serait judicieux d'obtenir et de conserver tous les reçus. Cette garantie écrite vous confère certains droits, mais vous pouvez également jouir d'autres droits selon votre lieu de résidence. Pour vous prévaloir de cette garantie, prenez contact avec Electrolux Home Products, Inc. ou Electrolux Canada Corp.

Cette garantie ne s'applique que dans les 50 états des É.-U., à Puerto Rico, et au Canada. Les spécifications et caractéristiques des produits, décrites et illustrées, sont sujettes à modification sans préavis. Toutes les garanties sont accordées par Electrolux Home Products, Inc. Au Canada, votre appareil est garanti par Electrolux Canada Corp.



1-877-4Electrolux

www.electroluxusa.com
www.electroluxca.com