

## IMPORTANT SAFETY NOTICE

The information provided herein is designed to assist qualified repair personnel only. Untrained persons should not attempt to make repairs due to the possibility of electrical shock. Disconnect power cord before servicing.

## IMPORTANT

If any green grounding wires are moved during servicing, they must be returned to their original position and properly secured.

## CAUTION

System parts must be removed from cabinet before brazing. All electrical parts and wiring must be shielded from torch flame. Do not allow torch to contact insulation; it will char at 200°F and flash ignite (burn) at 500°F. Excessive heat will distort the plastic liner.

## SERVICE DATA SHEET - 218909401

R134a

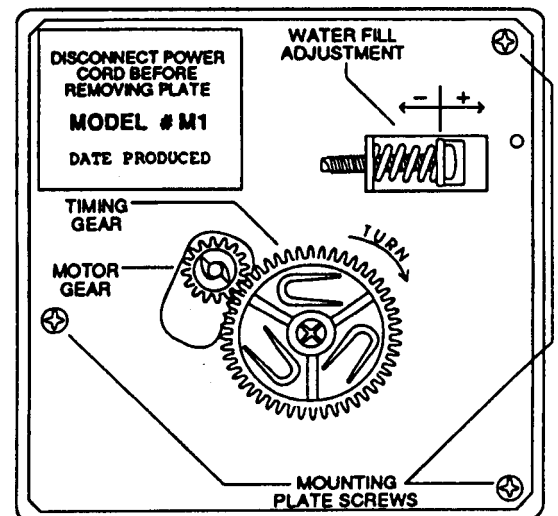
ICE & WATER - AUTOMATIC DEFROST  
SIDE BY SIDE MODELS

| PERFORMANCE DATA<br>NO LOAD AND NO DOOR OPENINGS AT MID-POINT CONTROL SETTING |                        |                 |                |      |
|---|------------------------|-----------------|----------------|------|
| Type A With Run/Start Capacitor   | 65°F Ambient           | 90°F Ambient    |                |      |
| Operating Time  | 37 to 45%              | 60 to 68%       |                |      |
| Freezer Temperature   | 0° to 4°F              | -2° to 3°F      |                |      |
| Refrigerator Temperature  | 34° to 39°F            | 34° to 39°F     |                |      |
| Low Side Pressure (cut-in)  | 5 to 12 psig           | 5 to 12 psig    |                |      |
| Low Side Pressure (cut-out)   | -2 to 2 psig           | -2 to 2 psig    |                |      |
| High Side Pressure (Last 1/3 of cycle)  | 110 to 130 psig        | 150 to 180 psig |                |      |
| Wattage (Last 1/3 of cycle)   | 170 to 200             | 180 to 210      |                |      |
| Amps (Running)  | 1.5 to 1.8             | 1.5 to 1.8      |                |      |
| Base Voltage  | 115 VAC                | 115 VAC         |                |      |
| DEFROST SPECIFICATIONS  |                        |                 |                |      |
| Cabinet Size  | Thermostat             |                 | Heater         |      |
|   | Cut-in                 | Cut-out         | Watts          | Ohms |
| 22' to 28'  | +25°F                  | +47°F           | 450            | 30   |
| Defrost 30 Minutes Every 8 Hours of Compressor Run Time                       |                        |                 |                |      |
| CONDENSER FAN MOTOR   |                        |                 |                |      |
| Watts   | RPM                    |                 | Amps           |      |
| 2.3   | 1300 CW Opposite Shaft |                 | .15 Running    |      |
| THERMOSTATIC DAMPER   |                        |                 |                |      |
|   | Full Open              |                 | Closed         |      |
|   | 33°F +/- 2°F           |                 | 22°F +/- 2°F   |      |
| ICE MAKER SPECIFICATIONS  |                        |                 |                |      |
| Electrical  | 115 Volts              |                 | 60 Hertz       |      |
| Thermostat  | Opens at 48°F          |                 | Closes at 15°F |      |
| Heater Wattage  | 165                    |                 |                |      |

## ICE MAKER INFORMATION

### Test Cycling

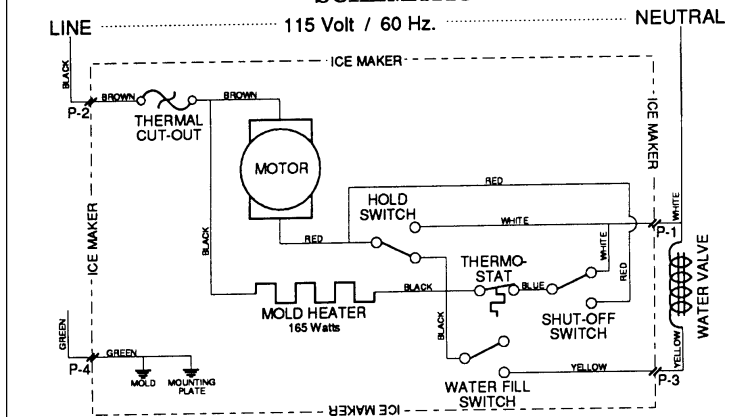
Remove cover by inserting screwdriver in notch at bottom and prying cover from housing. Use screwdriver to rotate motor gear counterclockwise until holding switch circuit is completed. All components of ice maker should function to complete the cycle.



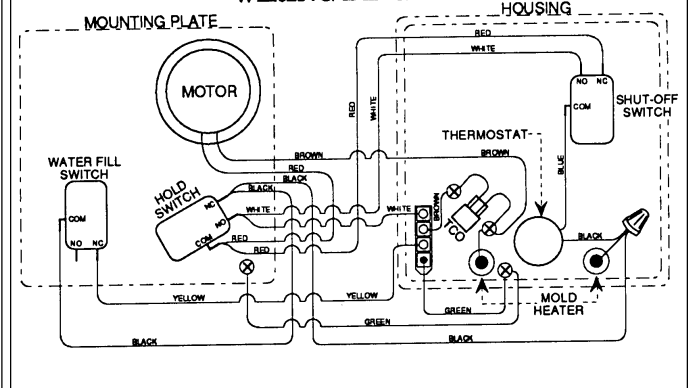
### Water Fill Volume

The water fill adjustment screw will change the fill time. One full turn is equal to 20cc (.68 oz.). The correct fill is 90 to 120cc (3.0 to 4.0 oz.). When a water valve is replaced, the fill volume must be checked.

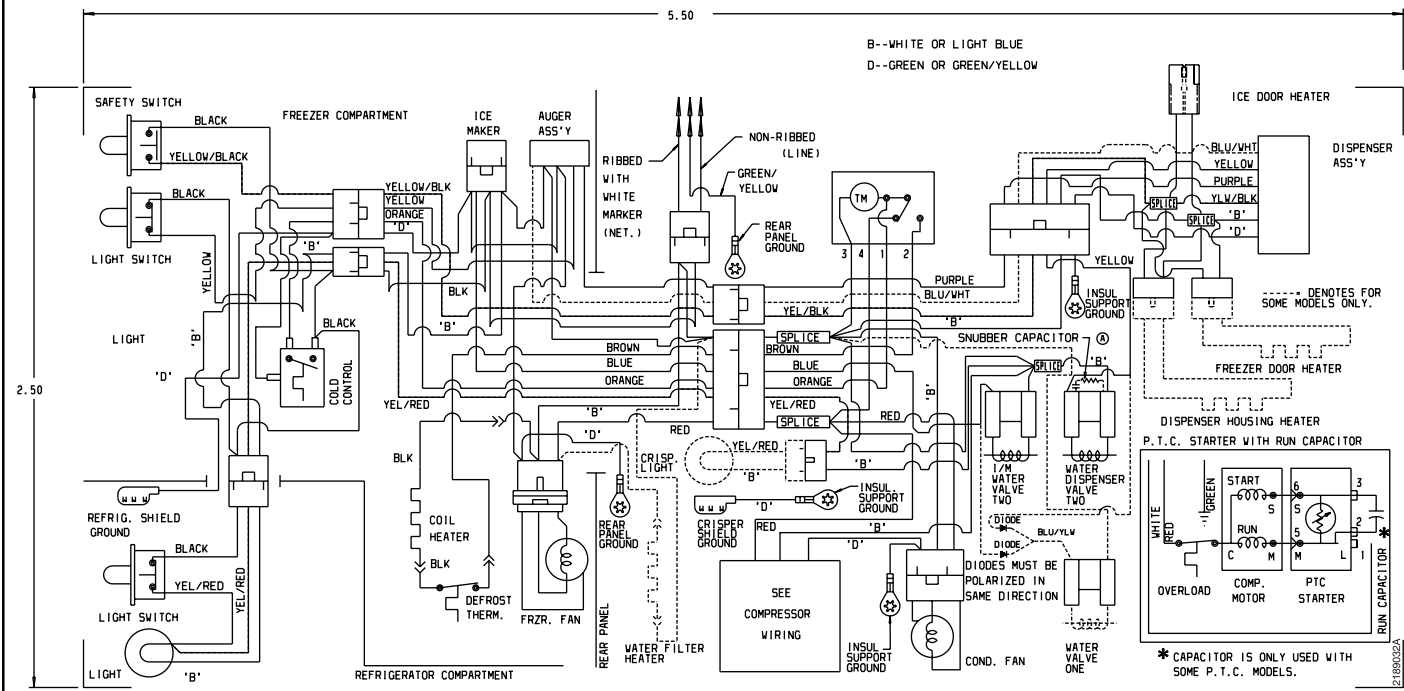
## SCHEMATIC



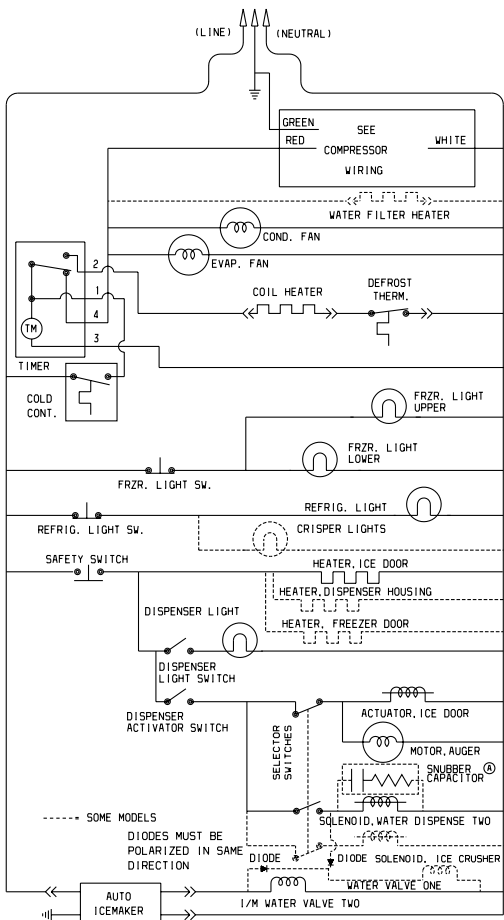
## WIRING DIAGRAM



# WIRING DIAGRAM



## Schematic



## Ice/Water Dispenser

