

# GAS COOKTOP INSTALLATION INSTRUCTIONS



**INSTALLATION AND SERVICE MUST BE PERFORMED BY A QUALIFIED INSTALLER.**

**IMPORTANT: SAVE FOR LOCAL ELECTRICAL INSPECTOR'S USE. READ AND SAVE THESE INSTRUCTIONS FOR FUTURE REFERENCE.**

**! WARNING** If the information in this manual is not followed exactly, a fire or explosion may result causing property damage, personal injury or death.

**FOR YOUR SAFETY:**

- Do not store or use gasoline or other flammable vapors and liquids in the vicinity of this or any other appliance.
- **WHAT TO DO IF YOU SMELL GAS:**
  - Do not try to light any appliance.
  - Do not touch any electrical switch; do not use any phone in your building.
  - Immediately call your gas supplier from a neighbor's phone. Follow the gas supplier's instructions.
  - If you cannot reach your gas supplier, call the fire department.
- Installation and service must be performed by a qualified installer, service agency or the gas supplier.

**Appliances Installed in the state of Massachusetts:**

This Appliance can only be installed in the state of Massachusetts by a Massachusetts licensed plumber or gas fitter. This appliance must be installed with a three (3) foot / 36 in. long flexible gas connector. A "T" handle type manual gas valve must be installed in the gas supply line to this appliance.

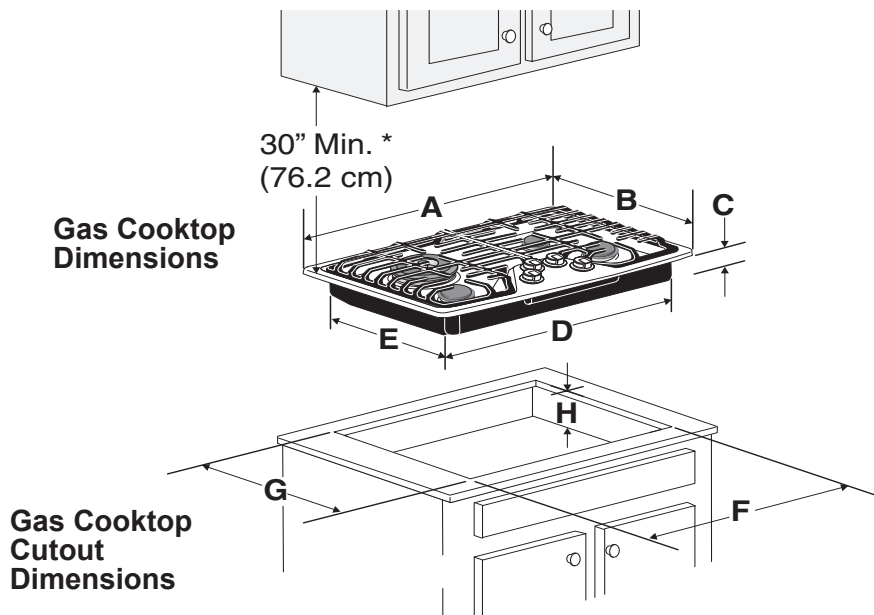


Figure 1

PRODUCT DIMENSIONS					
MODEL	A. WIDTH	B. DEPTH	C. HEIGHT	D. BOX WIDTH	E. BOX DEPTH
30" Gas Cooktop	30 (76.2)	21 ¾ (55.2)	4 ¼ (10.8)	27 (68.6)	19 (48.3)
CUTOUT DIMENSIONS					
MODEL	F. WIDTH		G. DEPTH		H. HEIGHT BELOW COOKTOP
	MINIMUM	MAXIMUM	MINIMUM	MAXIMUM	
30" Gas Cooktop	27 ¼ (69.2)	28 ½ (72.4)	19 ⅛ (48.6)	19 ¾ (50.2)	8 (20.3)

All dimensions are stated in inches and (cm).

Dimension H includes a 5" (12.7 cm) space underneath the cooktop for connection to gas supply line.

**NOTE: Wiring diagrams for this cooktop are enclosed in this booklet**  
Printed in Canada

**318205454 (1302) Rev. B**  
English - pages 1-9  
Wiring Diagram 10

# GAS COOKTOP INSTALLATION INSTRUCTIONS

## Important Notes to the Installer

1. Read all instructions contained in these installation instructions before installing the cooktop.
2. Remove all packing material before connecting the electrical supply to the cooktop.
3. Observe all governing codes and ordinances.
4. Be sure to leave these instructions with the consumer.
5. Note: For operation at 2000 ft. elevations above sea level, appliance rating shall be reduced by 4 percent for each additional 1000 ft.

## Important Note to the Consumer

Keep these instructions with your Use and Care Guide for future reference.

## IMPORTANT SAFETY INSTRUCTIONS

Installation of this cooktop must conform with local codes or, in the absence of local codes, with the National Fuel Gas Code ANSI Z223.1/NFPA 54 in the United States, or in Canada, with the Canadian Fuel Gas Code, CAN/CGA B149 and CAN/CGA B149.2.

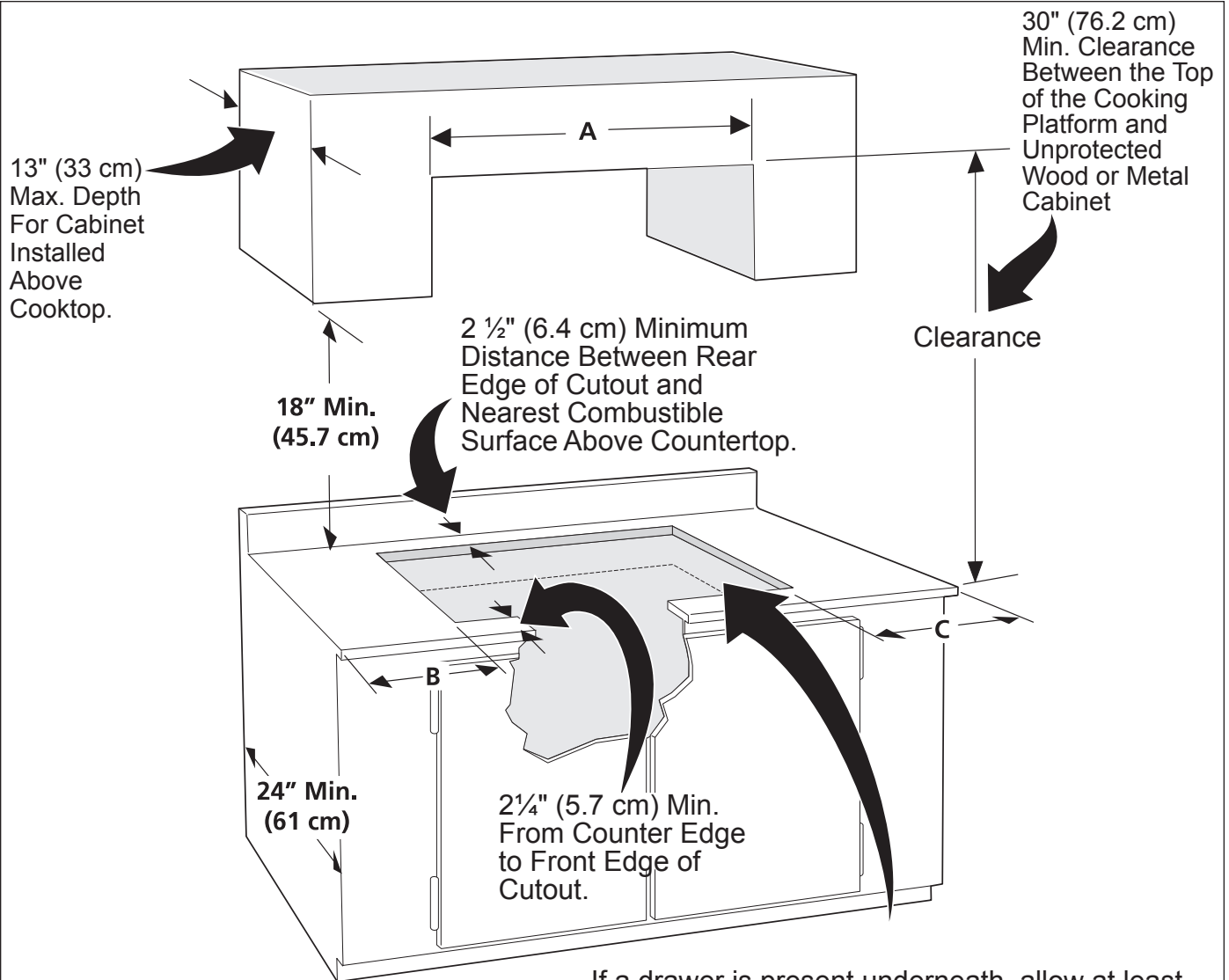
- When installed in a manufactured (mobile) home installation must conform with the Manufactured Home Construction and Safety Standard, title 24 CFR, part 3280 [Formerly the Federal Standard for Mobile Home Construction and Safety, title 24, HUD (part 280)] or, when such standard is not applicable, the Standard for Manufactured Home Installation, ANSI/NCSBCS A225.1 or with local codes where applicable.

This cooktop has been design certified by CSA International. As with any appliance using gas and generating heat, there are certain safety precautions you should follow. You will find them in the [Use and Care Guide](#), read it carefully.

- Air curtain or other overhead hoods, which operate by blowing a downward air flow on to a range, shall not be used in conjunction with gas ranges other than when the hood and range have been designed, tested and listed by an independent test laboratory for use in combination with each other.
- Be sure your cooktop is installed and grounded properly by a qualified installer or service technician.
- This cooktop must be electrically grounded in accordance with local codes or, in their absence, with the National Electrical Code ANSI/NFPA No. 70—latest edition in the United States, or in Canada, with the Canadian Electrical Code, CSA C22.1 Part 1.
- The burners can be lit manually during an electrical power outage. To light a burner, hold a lit match to the burner head, then slowly turn the Surface Control knob to LITE. Use caution when lighting burners manually.
- Do not store items of interest to children in cabinets above the cooktop. Children could be seriously burned climbing on the cooktop to reach items.
- To eliminate the need to reach over the surface burners, cabinet storage space above the burners should be avoided.
- Adjust surface burner flame size so it does not extend beyond the edge of the cooking utensil. Excessive flame is hazardous.
- Never use your cooktop for warming or heating the room. Prolonged use of the cooktop without adequate ventilation can be hazardous.
- Do not store or use gasoline or other flammable vapors and liquids near this or any other appliance. Explosions or fires could result.

**⚠ WARNING** The electrical power to the cooktop must be shut off while gas line connections are being made. Failure to do so could result in serious injury or death.

# GAS COOKTOP INSTALLATION INSTRUCTIONS



**CAUTION** To eliminate the risk of burns or fire from reaching over heated surfaces, cabinet storage space located above the cooktop should be avoided. If cabinet storage is provided, risk can be reduced by installing a range hood that projects horizontally a minimum of 5" (12.7 cm) beyond the bottom of the cabinets.

If a drawer is present underneath, allow at least 6½" (16.5 cm) of clearance below the counter top. Make sure there will be no interference with gas or electrical connection.

**CAUTION** Never store flammable products in the drawer.

MODEL	A	B. Minimum Clearance from Left Side	C. Minimum Clearance from Right Side
30" Cooktop	30" (76.2 cm)	9" (22.9 cm)	9" (22.9 cm)

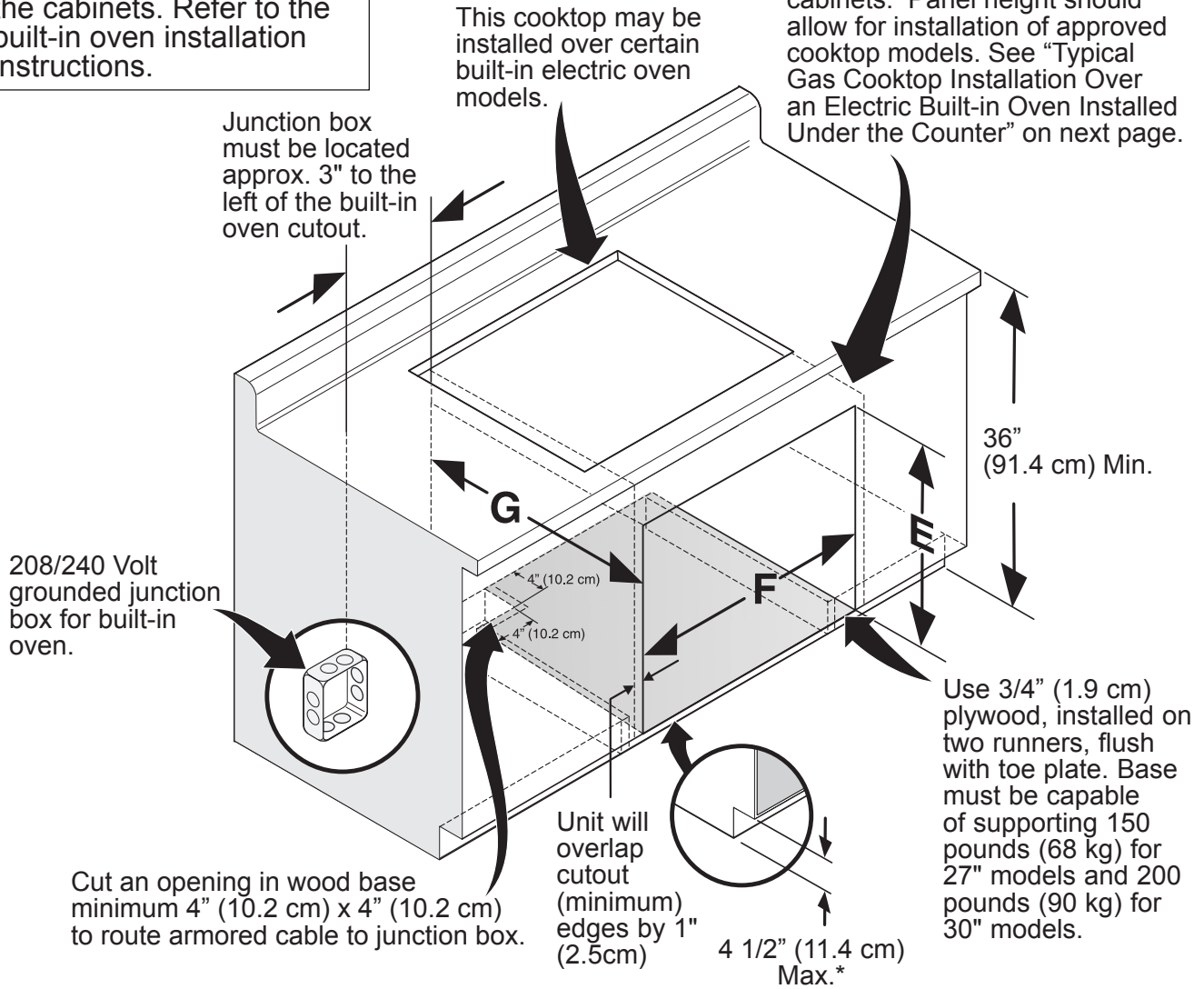
Figure 2 – CABINET DESIGN

# GAS COOKTOP INSTALLATION INSTRUCTIONS

## Typical Under Counter Installation of an Electric Built-in Oven with a Cooktop Mounted Above

**⚠ WARNING** All mounting hardware must be used to secure the built-in oven to the cabinets. Refer to the built-in oven installation instructions.

Side filler panels are necessary to isolate the unit from adjoining cabinets. Panel height should allow for installation of approved cooktop models. See "Typical Gas Cooktop Installation Over an Electric Built-in Oven Installed Under the Counter" on next page.



\* If no cooktop is installed directly over the oven unit, 5" (12.7cm) maximum is allowed.

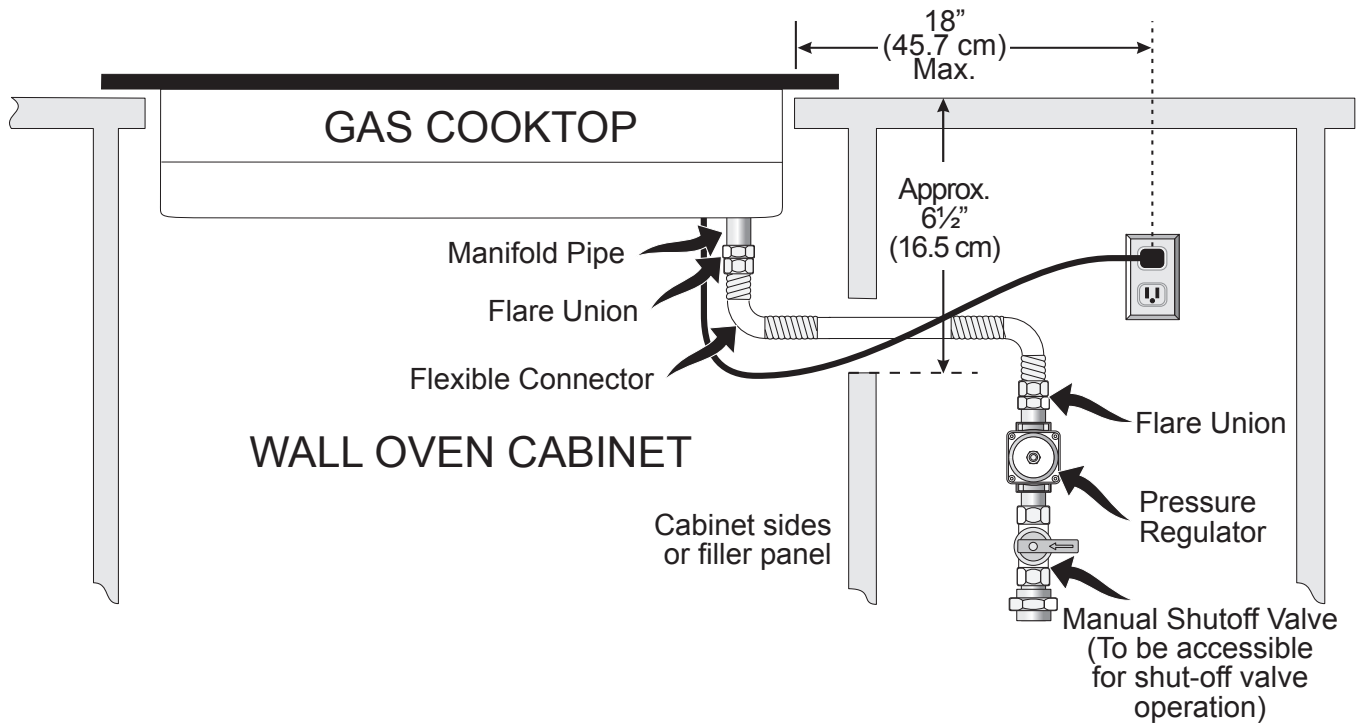
OVEN SIZE	CUTOUT DIMENSIONS (INCHES (CM))				G. DEPTH Min.
	E. HEIGHT		F. WIDTH		
	Min.	Max.	Min.	Max.	
30" (76.2)	27 1/4" (69,2 cm)	28 1/4" (71.8)	28 1/2" (72.4)	29" (73.7)	23 1/2" (59.7)
27" (68.6)	27 1/4" (69,2 cm)	28 1/4" (71.8)	24 7/8" (63.2)	25 1/4" (64.1)	23 1/2" (59.7)

**Figure 3**

# GAS COOKTOP INSTALLATION INSTRUCTIONS

## Typical Gas Cooktop Installation Over an Electric Built-in Oven Installed Under the Counter

### FRONT VIEW



### SIDE VIEW

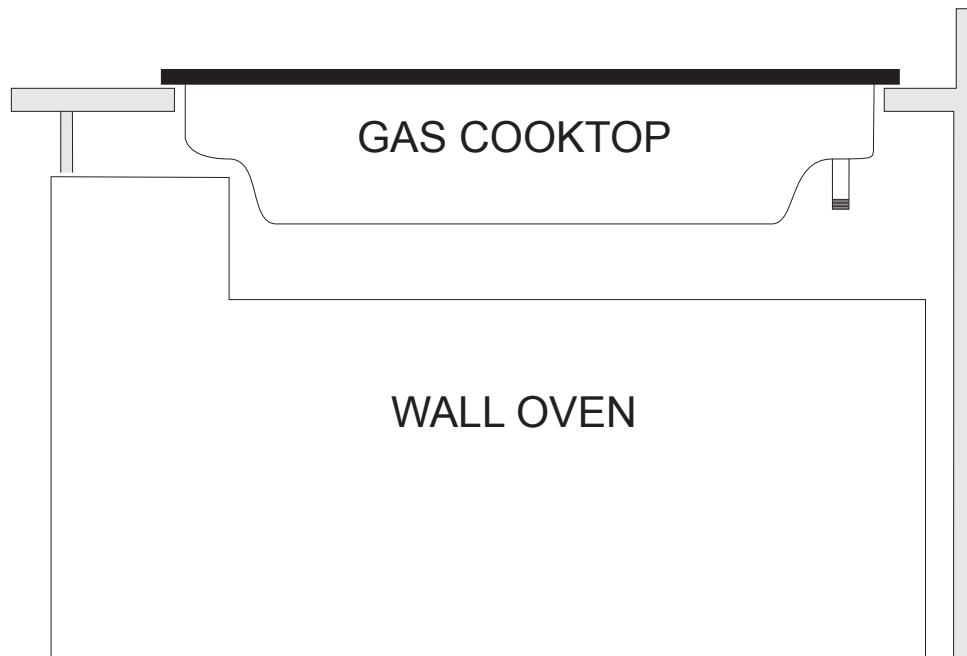
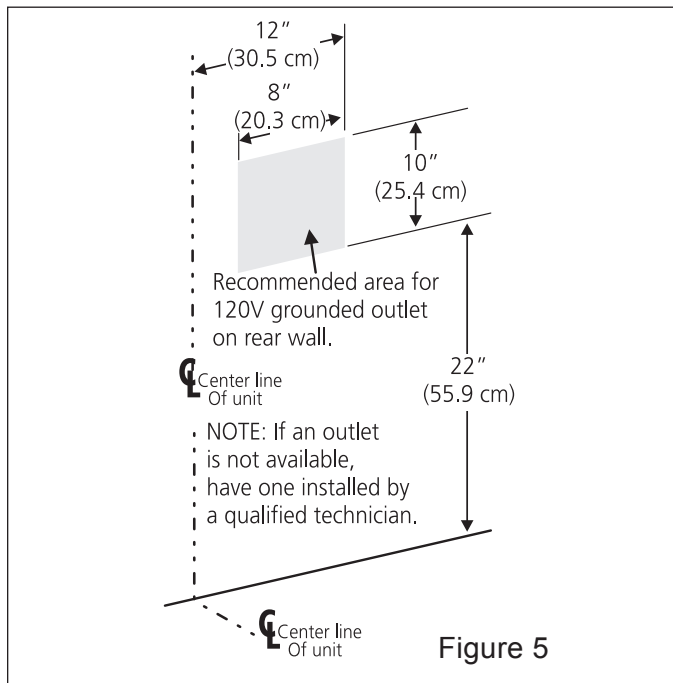


Figure 4

# GAS COOKTOP INSTALLATION INSTRUCTIONS

## 1. Wall Outlet Location



## 2. Cooktop Installation

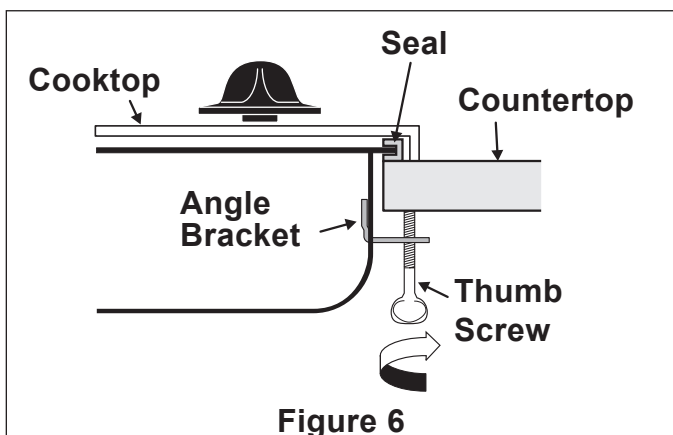
1. Visually inspect the cooktop for damage.
  2. Set the cooktop into the countertop cutout.
- After inserting the cooktop into the countertop opening, make sure the unit is sitting on the metal flange around the top of the burner box. Cooktop must not sit on the glass or the porcelain top. Avoid cutting an oversized hole in the countertop.**

**NOTE:** Do not use caulking compound; cooktop should be removable for service when needed.

## Granite countertop Installation Kit

A Granite Countertop Installation kit # 903103-9010 can be ordered through an Electrolux Service Center.

## Clamp Down Information



Once the cooktop is installed in the counter opening, you must clamp the unit down as shown. To clamp down, insert an angle bracket into the slot on each side of the unit as shown. Run thumb screw up through the bracket, up against the bottom of the counter. Tighten until the unit draws down and is secure.

## 3. Provide an Adequate Gas Supply

This cooktop is designed to operate on natural gas at 4" of manifold pressure only.

A pressure regulator is connected in series with the manifold on the cooktop and must remain in series with the supply line.

**For proper operation,** the maximum inlet pressure to the regulator must be no more than 14" of water column (W.C.) pressure.

For checking the regulator, the inlet pressure must be at least 1" (or 2.5 kPa) greater than the regulator manifold pressure setting. The regulator is set for 4" of manifold pressure, the inlet pressure must be at least 5".

The gas supply line to the range should be 1/2" or 3/4" pipe.

## 4. LP/Propane Gas Conversion

This appliance can be used with Natural gas or LP/Propane gas. It is shipped from the factory for use with natural gas.

A kit for converting to LP gas is supplied with your cooktop. The kit is marked "FOR LP/PROPANE GAS CONVERSION".

The conversion must be performed by a qualified service technician in accordance with the kit instructions and all local codes and requirements. Failure to follow instructions could result in serious injury or property damage. The qualified agency performing this work assumes responsibility for the conversion.

**WARNING** Failure to make the appropriate conversion can result in serious personal injury and property damage.

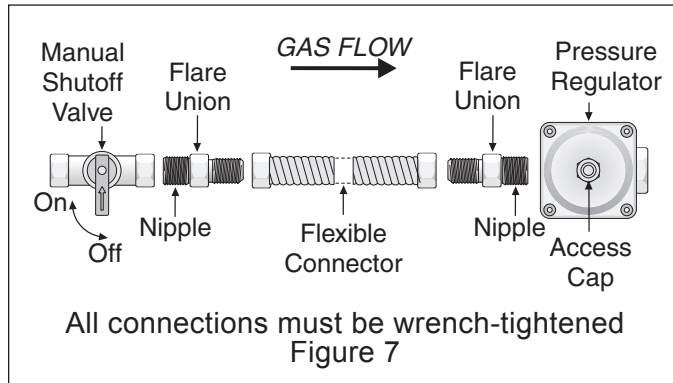
**Important:** Remove all packing material and literature from cooktop before connecting gas and electrical supply to cooktop.

# GAS COOKTOP INSTALLATION INSTRUCTIONS

## 5. Install Pressure Regulator

Install the pressure regulator with the arrow on the regulator pointing up toward the unit in a position where you can reach the access cap.

**⚠ WARNING** Do not make the connection too tight. The regulator is die cast. Overtightening may crack the regulator resulting in a gas leak and possible fire or explosion.

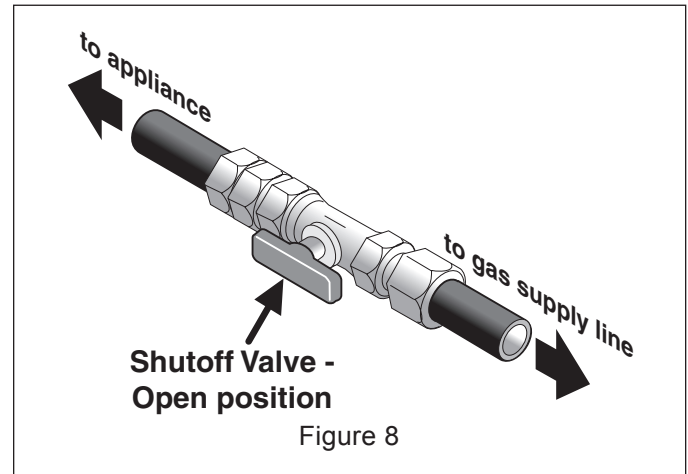


Assemble the flexible connector from the gas supply pipe to the pressure regulator in the following order:

1. manual shutoff valve
2. 1/2" (1.3 cm) nipple
3. 1/2" (1.3 cm) flare union adapter
4. flexible connector
5. 1/2" (1.3 cm) flare union adapter
6. 1/2" (1.3 cm) nipple
7. pressure regulator

Use pipe-joint compound made for use with Natural and LP/Propane gas to seal all gas connections. If flexible connectors are used, be certain connectors are not kinked.

The supply line must be equipped with an approved manual shutoff valve. This valve should be located in the same room as the cooktop and should be in a location that allows ease of opening and closing. Do not block access to the shutoff valve. The valve is for turning on or shutting off gas to the appliance.



Once regulator is in place, open the shutoff valve in the gas supply line. Wait a few minutes for gas to move through the gas line.

**Check for leaks.** After connecting the cooktop to the gas supply, check the system for leaks with a manometer. If a manometer is not available, turn on the gas supply and use a liquid leak detector (or soap and water) at all joints and connections to check for leaks.

**⚠ WARNING** Do not use a flame to check for leaks from gas connections. Checking for leaks with a flame may result in a fire or explosion.

**Tighten all connections** if necessary to prevent gas leakage in the cooktop or supply line.

**Check alignment of control knob valves** after connecting the cooktop to the gas supply to be sure the cooktop manifold pipe has not moved. A misalignment could cause the valve stems to rub on the control panel, resulting in a gas leak at the valve.

**Disconnect this cooktop and its individual manual shutoff valve** from the gas supply piping system during any pressure testing of that system at test pressures greater than 1/2 psig (3.5 kPa or 14" water column).

**Isolate the cooktop from the gas supply piping system** by closing its individual manual shutoff valve during any pressure testing of the gas supply piping system at test pressures equal to or less than 1/2 psig (3.5 kPa or 14" water column).

# GAS COOKTOP INSTALLATION INSTRUCTIONS

## 6. Electrical Requirements

120 volt, 60 Hertz, properly grounded branch circuit protected by a 15 amp circuit breaker or time delay fuse. **Do not use an extension cord with this cooktop.**

### Grounding Instructions

**IMPORTANT** Please read carefully.

**For personal safety, this appliance must be properly grounded.**

The power cord of this appliance is equipped with a 3-prong (grounding) plug which mates with a standard 3-prong grounding wall receptacle (see Figure 9) to minimize the possibility of electric shock hazard from the appliance.

The wall receptacle and circuit should be checked by a qualified electrician to make sure the receptacle is properly grounded.

Where a standard 2-prong wall receptacle is installed, it is the personal responsibility and obligation of the consumer to have it replaced by a properly grounded 3-prong wall receptacle.

### Preferred Method

Grounding type wall receptacle

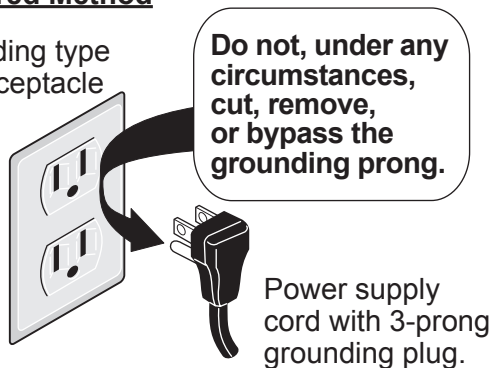


Figure 9

**Do not, under any circumstances, cut or remove the third (ground) prong from the power cord.**

**⚠ WARNING** Disconnect electrical supply cord from wall receptacle before servicing cooktop.

## 7. Check Operation

Refer to the **Use and Care Guide** packaged with the cooktop for operating instructions and for care and cleaning of your cooktop.

1. **Remove foam caps.**
2. **Turn on Electrical Power and Open Main Shutoff Gas Valve**
3. **Check the Igniters**

Operation of electric igniters should be checked after cooktop and supply line connectors have been carefully checked for leaks and the cooktop has been connected to electric power.

### To operate the surface burner:

- A. Push in and turn a surface burner knob to the LITE position. You will hear a small ticking noise; this is the sound of the electric ignitor which lights the burner.
- B. After the burner lights, turn to the desired flame size. The controls do not have to be set at a particular mark. Use the marks as a guide and adjust the flame as needed.



# GAS COOKTOP INSTALLATION INSTRUCTIONS

## 4. Adjust the "LOW" setting for regular surface burner valves (Figure 10)

- Push in and turn control to LITE until burner ignites.
- Quickly** turn knob to LOWEST POSITION.
- If burner goes out, reset control to OFF.
- Remove the surface burner control knob.
- Insert a thin-bladed screwdriver into the hollow valve stem and engage the slotted screw inside. Flame size can be increased or decreased with the turn of the screw. Turn counterclockwise to increase flame size. Turn clockwise to decrease flame size. Adjust flame until you can quickly turn knob from LITE to LOWEST POSITION without extinguishing the flame. Flame should be as small as possible without going out.

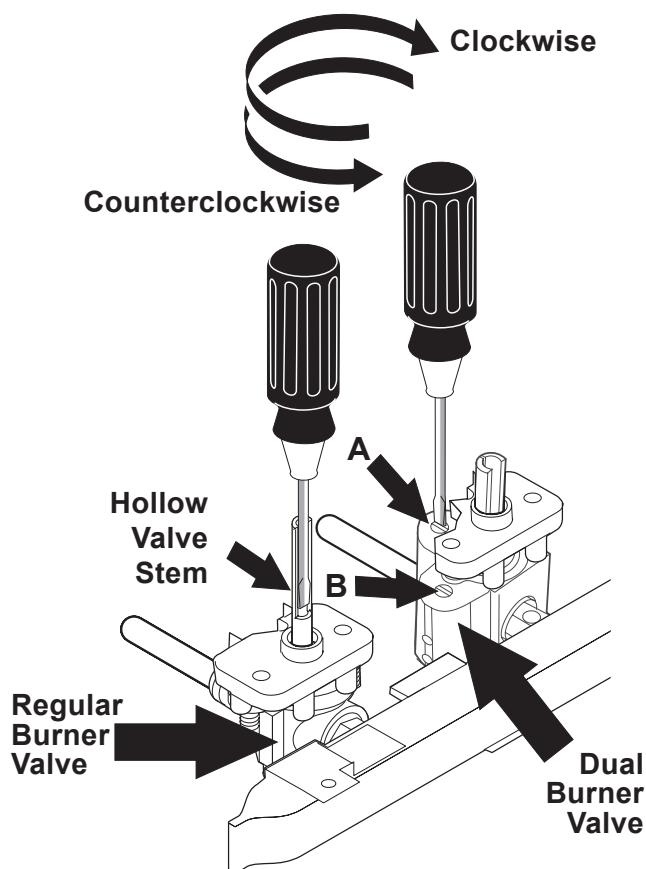


Figure 10

**Note:** Air mixture adjustment is not required on surface burners.

## 5. Adjust the "LOW" setting of the dual burner surface valve (Figure 10) (some models):

**Note:** On the dual valve the low setting of each portion should be adjusted individually.

- Push in and turn knob to LITE then continue to turn until only the inner portion of the dual burner stays on.
- Quickly** turn knob to LOWEST POSITION.
- If burner goes out, reset control to OFF.
- Remove the surface burner control knob.
- The inner portion of the dual burner flame size can be increased or decreased with the turn of the screw **B**. Use screw **A** to adjust the low flame size of the outer portion of the dual burner. Turn the screw counterclockwise to increase flame size. Turn the screw clockwise to decrease flame size. Adjust flame until you can quickly turn knob from HIGH to LOWEST POSITION without extinguishing the flame. Flame should be as small as possible without going out.

**Note:** Air mixture adjustment is not required on surface burners.

## When All Hookups are Complete

Make sure all controls are left in the OFF position.

Make sure the flow of combustion and ventilation air to the cooktop is unobstructed.

## Model and Serial Number Location

The serial plate is located on the underside of the cooktop.

When ordering parts for or making inquiries about your range, always be sure to include the model and serial numbers and a lot number or letter from the serial plate of your cooktop.

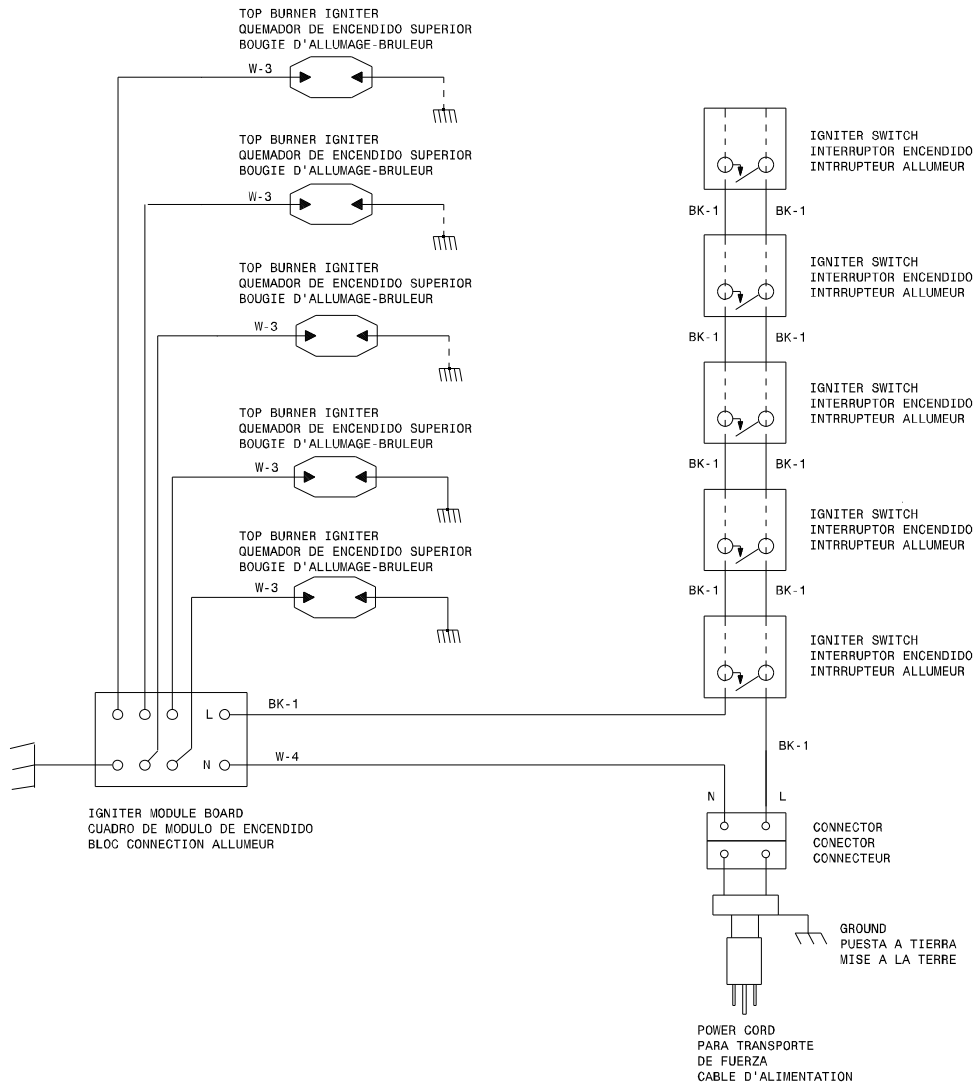
Your serial plate also tells you the rating of the burners, the type of fuel and the pressure the cooktop was adjusted for when it left the factory.

## Before You Call for Service

Read the Before You Call for Service Checklist and operating instructions in your **Use and Care Guide**. It may save you time and expense. The list includes common occurrences that are not the result of defective workmanship or materials in this appliance.

Refer to the warranty in your **Use and Care Guide** for our service phone number and address. Please call or write if you have inquiries about your product and/or need to order parts.

# WIRING DIAGRAM



**WARNING:**  
DISCONNECT BEFORE SERVICING UNIT.

**AVISO:**  
DESCONECTE LA ENERGIA ANTES DE REALIZAR  
EL MANTENIMIENTO DEL ELECTRONICO.

**AVERTISSEMENT:**  
COUPER LE COURANT D' EFFECTUER LA  
REPARATION.

**CODE COLOR/CODIGOS DE COLOR/COULEUR**

BK.- BLACK/NEGRO/NOIR  
W.- WHITE/BLANCO/BLANC

**CAUTION:**DISCONNECT POWER BEFORE SERVICING UNIT.

LABEL ALL WIRES PRIOR TO DISCONNECTION WHEN SERVICING CONTROLS.  
WRINGING ERRORS CAN CAUSE IMPROPER AND DANGEROUS OPERATION.  
VERIFY PROPER OPERATION AFTER SERVICING.

**ATENCIÓN:**CORTAR LA CORRIENTE ANTES DE REALIZAR EL MANTENIMIENTO DEL ELECTRODOMESTICO.  
ETIQUETE TODOS LOS CABLES ANTES DE DESCONECTAR CUANDO HAGA EL SERVICIO A LOS CONTROLES.  
ERRORES AL VOLVER A ENSAMBLAR LOS CABLES PUEDE CAUSAR FALLAS U OPERACIONES PELIGROSAS.  
VERIFIQUE LA CORRECTA OPERACION DESPUES DEL SERVICIO.

**ATTENTION:**COUPEZ L'ALIMENTATION AVANT D' EFFECTUER LA REPARATION.  
IDENTIFIEZ TOUS LES FILS AVANT DE LES DEBRANCHER QUAND L'APPAREIL EST HORS SERVICE.  
LES ERREURS DE CONNECTION DE FILS PEUVENT CAUSER UN MAL FONCTIONNEMENT ET UN DANGER D'USAGE DE L'APPAREIL.  
VERIFIEZ LE BON FONCTIONNEMENT DE L'APPAREIL APRES LE SERVICE.

CODE CODIGO	GAUGE MEDIDA	TEMP.°C	CSA	UL
1	20	150	EKL-150	3321
2	18	200		3071
3	18	200	3304 OR/OU	10202



# NOTES