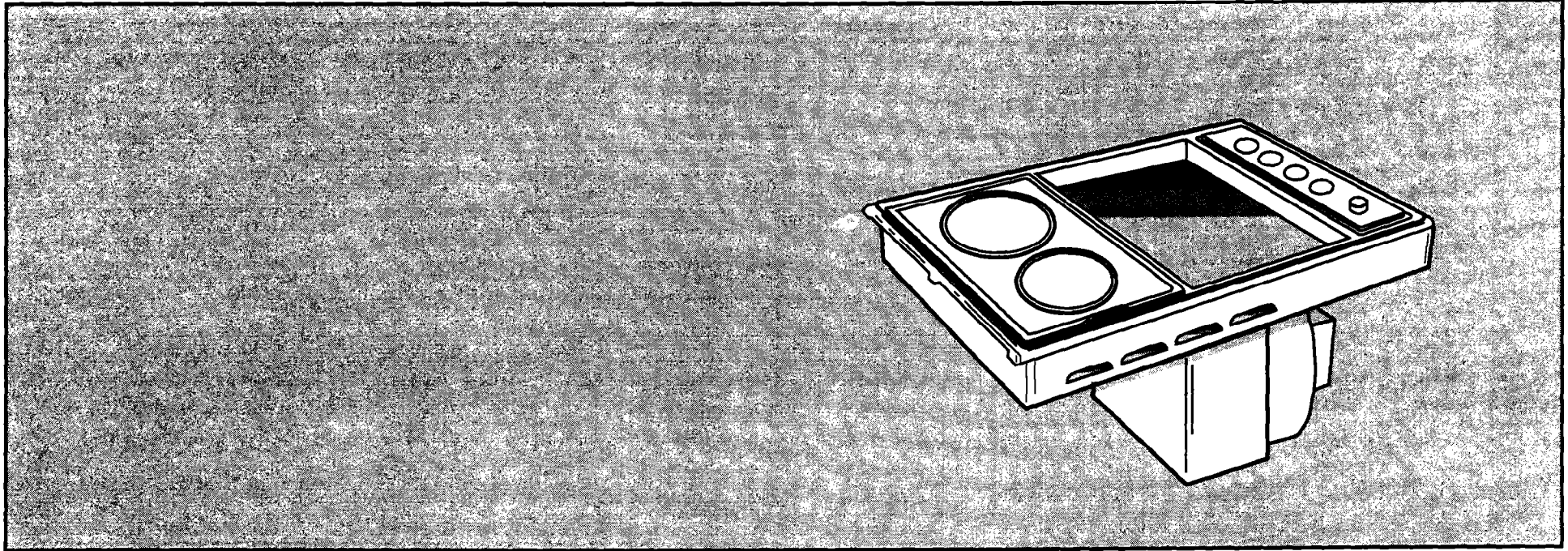


Installation Instructions



Part No. 36-309208-02-0/4363133 Rev. A

IMPORTANT:
Read and save
these instructions.

IMPORTANT:

Installer: Leave Installation Instructions with the Homeowner.

Homeowner: Keep Installation Instructions for future reference.

Save Installation Instructions for local electrical inspector's use.

36" Electric Modular Downdraft Cooktop

10/93

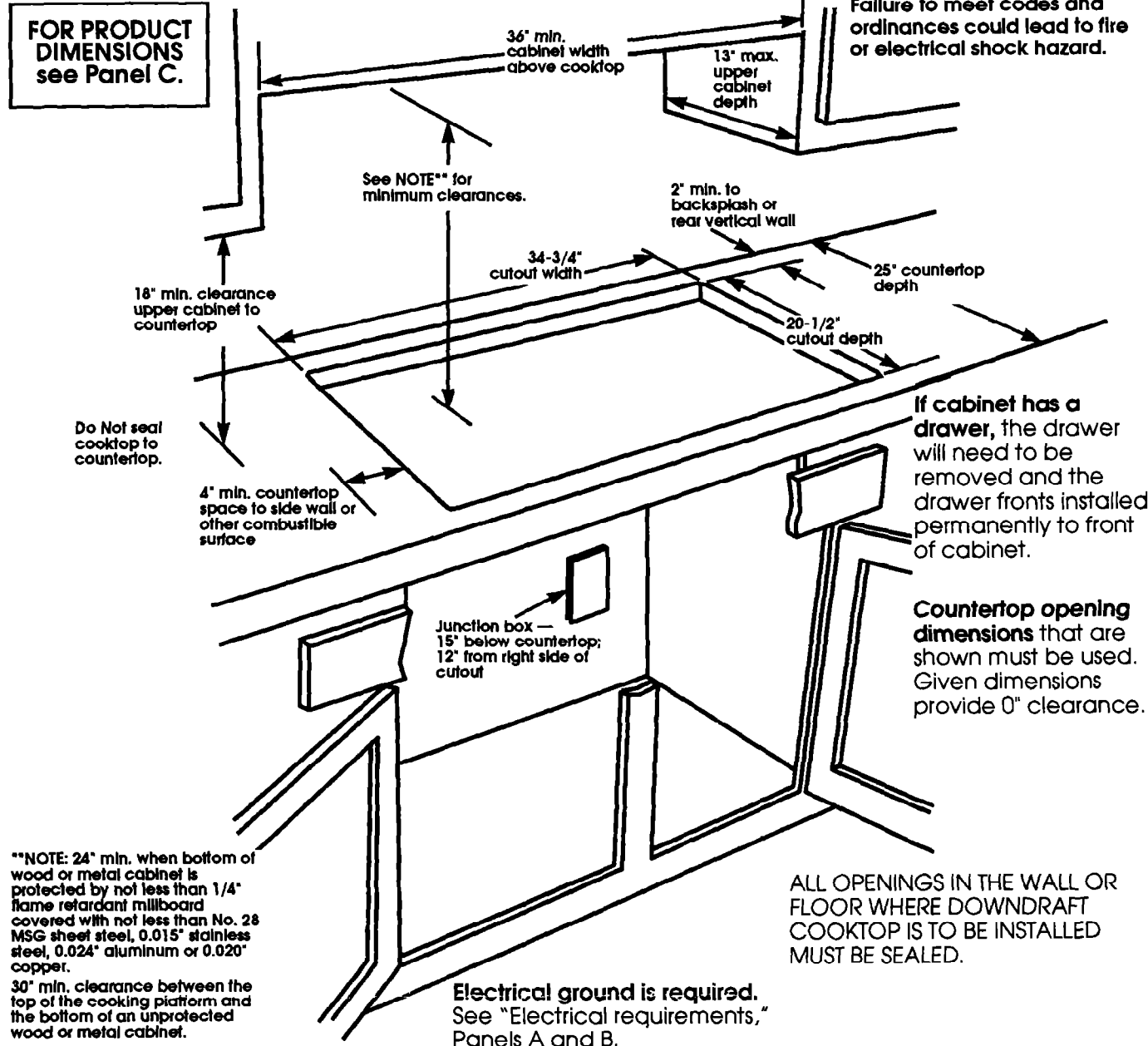


Before you start...

Proper installation is your responsibility. A qualified technician should install this downdraft cooktop. Make sure you have everything necessary for correct installation. It is the responsibility of the installer to comply with the installation clearances specified on the serial/rating plate. The serial/rating plate is located on the rear wall of the burner box.

Check location where downdraft cooktop will be installed. The location should be away from strong draft areas, such as windows or doors or strong heating vents and fans. Before making countertop cutout, check that ductwork and cooktop location will clear cabinet walls, backsplash and rear wall studs inside cabinet.

Important: Observe all governing codes and ordinances.
Failure to meet codes and ordinances could lead to fire or electrical shock hazard.



! WARNING

Fire Hazard

Do Not obstruct the flow of combustion and ventilation air.

Personal Injury Hazard

Avoid installing cabinet storage above the cooking surface. If cabinets are already installed, avoid the use of cabinet while cooktop is in use.

Reaching over a heated cooking surface could result in a serious burn or other personal injury.

Electrical Shock Hazard

It is the customer's responsibility:

- To contact a qualified electrical installer.

- To assure that electrical installation is adequate and in conformance with National Electrical Code, ANSI/NFPA 70 — latest edition*, and all local codes and ordinances.

- Take special care when drilling holes into wall for venting. Electrical wires may be concealed behind wall covering.

- Do Not use this appliance with any solid state fan speed control device.

Failure to do so could result in fire, electrical shock or other personal injury.

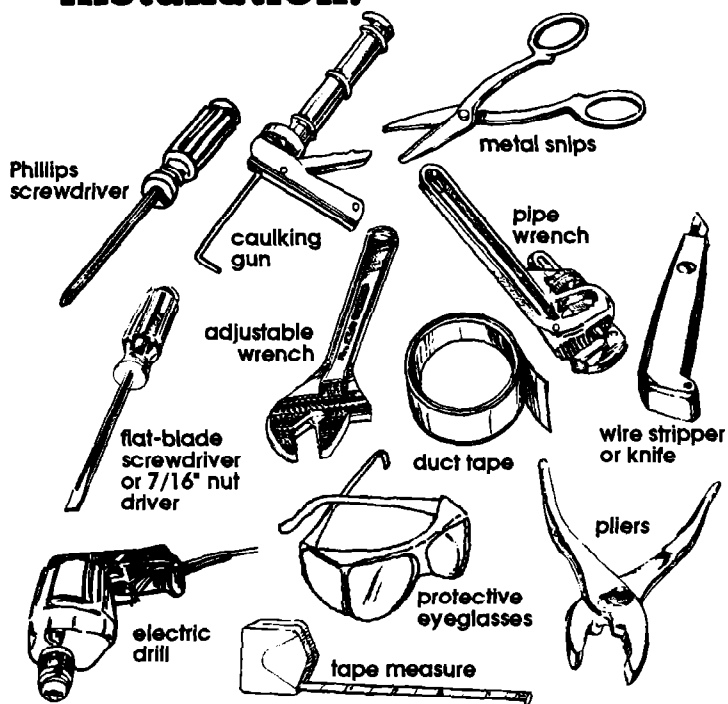
Mobile home installation

The installation of this cooktop must conform to the Manufactured Home Construction and Safety Standards, Title 24 CFR, Part 3280 (formerly the Federal Standard for Mobile Home Construction and Safety, Title 24, HUD Part 280) or when such standard is not applicable, the Standard for Manufactured Home Installation 1982 (Manufactured Home Sites, Communities and Setups), ANSI A225.1-1987 — or latest edition, or with local codes.

Copies of the standards listed above may be obtained from:

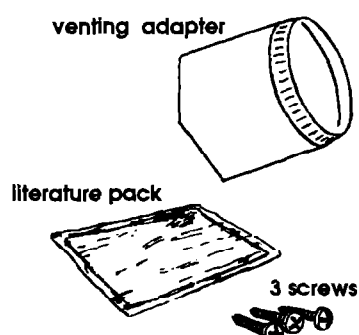
* National Fire Protection Association
Batterymarch Park
Quincy, Massachusetts 02269

Tools needed for installation:



Parts supplied for installation:

Hold-down screws are attached.



Panel A

Electrical requirements

IMPORTANT: Save Installation Instructions for electrical inspector's use.

! WARNING

Electrical Shock Hazard

- Electrical ground is required on this appliance.
- If cold water pipe is interrupted by plastic, non-metallic gaskets or other insulating materials, Do Not use for grounding.
- Do Not ground to a gas pipe.
- Do Not have a fuse in the neutral or grounding circuit. A fuse in the neutral or grounding circuit could result in electrical shock.
- Check with a qualified electrician if you are in doubt as to whether the appliance is properly grounded.

Failure to follow these instructions could result in serious injury or death.

If local codes permit and a separate grounding wire is used, it is recommended that a qualified electrician determine that the grounding path is adequate.

A. A three-wire or four-wire, single-phase, 120/240-volt, 60-Hz, AC-only electrical supply (or three-wire or four-wire, 120/208-volt if specified on the serial/rating plate) is required on a separate 40-ampere circuit, fused on both sides of the line. A time-delay fuse or circuit breaker is recommended. The fuse size must not exceed the circuit rating of the appliance as specified on the serial/rating plate. The serial/rating plate is located on the rear wall of the burner box.

B. DOWNDRAFT COOKTOP MUST BE CONNECTED WITH COPPER WIRE ONLY. DO NOT USE ALUMINUM WIRE.

C. Wire sizes and connections must conform to the requirements of the National Electrical Code, ANSI/NFPA 70 — latest edition*, and all local codes and ordinances. Wire sizes and connections must conform with the rating of the appliance.

Copies of the standards listed may be obtained from:

* National Fire Protection Association
Batterymarch Park
Quincy, Massachusetts 02269

D. The flexible armored cable extending from the appliance should be connected directly to the junction box. The appliance should be connected to the fused disconnect (or circuit breaker) box through flexible armored or non-metallic sheathed copper cable.

E. Locate the junction box to allow as much slack in the line as possible between the junction box and appliance so that the downdraft cooktop can be moved if servicing is ever necessary.

F. A U.L.-listed 1/2" conduit connector must be provided at the junction box.

G. A wiring diagram is located below the control mounting plate.

Electrical connection

! WARNING

Electrical Shock Hazard

- Electrical ground is required on this appliance.
- Do Not connect to the electrical supply until appliance is permanently grounded.
- Disconnect power to the junction box before making the electrical connection.
- This appliance must be connected to a grounded, metallic, permanent wiring system, or a grounding connector should be connected to the grounding terminal or wire lead on the appliance.

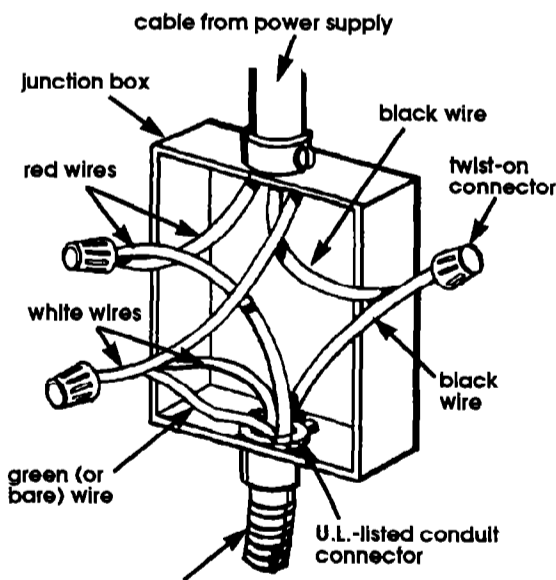
Failure to do so could result in a fire, personal injury or electrical shock.

This appliance is manufactured with a white (neutral) power supply wire and a frame-connected green (or bare) grounding wire twisted together.

Connect the appliance cable to the junction box through the U.L.-listed conduit connector. Complete electrical connection according to local codes and ordinances.

A. Where local codes permit... connecting the frame-grounding conductor to the neutral (white) junction box wire:

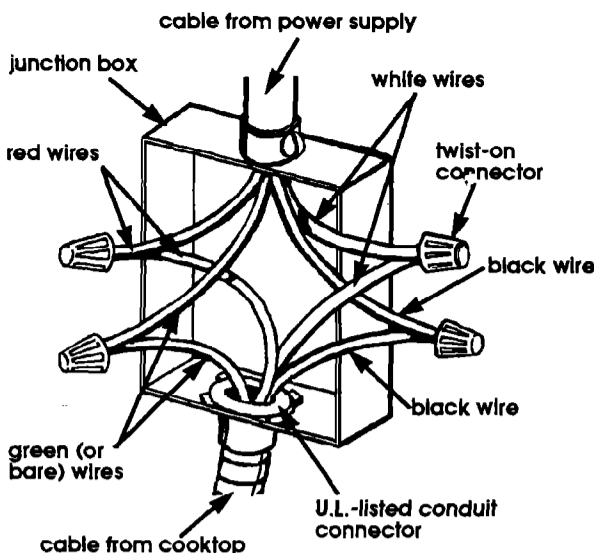
1. Disconnect the power supply.
2. Connect the flexible armored cable that extends from the downdraft cooktop to the junction box using a U.L.-listed conduit connector. Tighten the screws on the conduit connector.
3. Connect the neutral (white) wire in the junction box with the green (or bare) wire and white wire from the appliance cable with a wire connector.
4. Connect the two black wires together; then connect the two red wires together with wire connectors. (See Figure 1.)



Grounded neutral
Figure 1

B. Where local codes Do Not permit... connecting the frame-grounding conductor to the neutral (white) junction box wire:

1. Disconnect the power supply.
2. Connect the flexible armored cable that extends from the downdraft cooktop to the junction box using a U.L.-listed conduit connector. Tighten the screws on the conduit connector.
3. Separate the white wire from the green (or bare) wire that extends out the end of the appliance cable. (See Figure 2.)



Ungrounded neutral
Figure 2

4. Connect the white wire from the power supply cable to the neutral (white) wire in the junction box.
5. Connect the two black wires together; then connect the red wires together with wire connectors. (See Figure 2.)
6. Connect the green (or bare) wire to a grounded cold water pipe* (or to the grounded lead in the service panel). **Do Not ground to a gas supply pipe or hot water pipe.** Do Not connect to electrical supply until appliance is permanently grounded. (See Figure 3.)

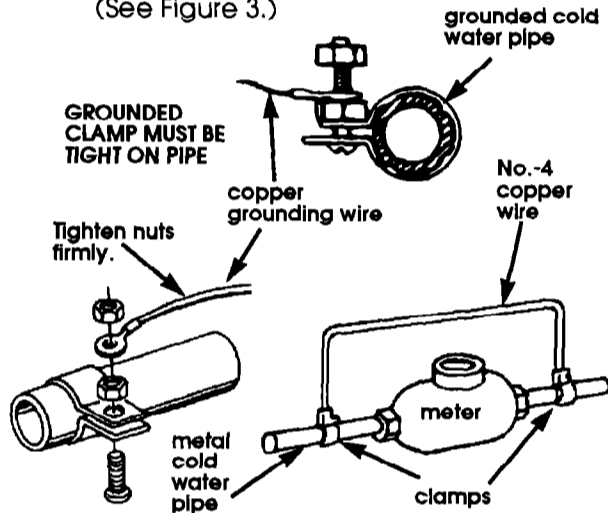


Figure 3

* Grounded cold water pipe must have metal continuity to electrical ground and not be interrupted by plastic, rubber, or other electrically insulating connectors, such as hoses, fittings, washers or gaskets (including water meter or pump). Any electrical insulating connector should be jumped as shown with a length of No.-4 wire securely clamped to bare metal at both ends.

C. If connecting to a four-wire electrical system:

1. Disconnect the power supply.
2. Connect the flexible armored cable that extends from the downdraft cooktop to the junction box using a U.L.-listed conduit connector. Tighten the screws on the conduit connector.
3. Separate the white wire from the green (or bare) wire that extends out the end of the appliance cable. (See figure 4.)
4. Connect the white wires together; connect the red wires together; then connect the black wires together with wire connectors.
5. Connect the green (or bare) grounding wire from the appliance cable to a grounding wire in the junction box.

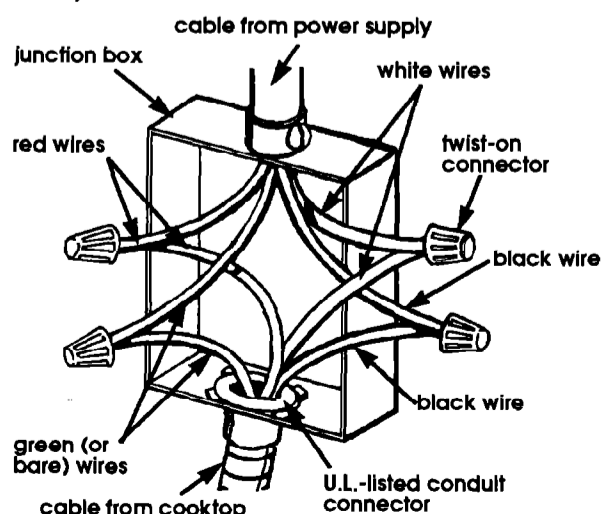


Figure 4

Venting requirements

Ductwork needed for installation is not included.

! WARNING

Fire Hazard

- Venting system **MUST** terminate to the outside.
 - Do Not terminate the ductwork in an attic or other enclosed space.
 - Do Not use 4" laundry-type wall caps.
 - Do Not use plastic-type ductwork.
- Failure to follow recommended venting instructions may result in a fire.

Determine which venting method to use. Ductwork can extend either through the wall or floor.

The length of the ductwork and number of elbows should be kept to a minimum to provide efficient performance. **The size of the ductwork** should be uniform.

Do Not install two elbows together. Use duct tape to seal all joints in the ductwork system.

Use caulking tape to seal the exterior wall or floor opening around the cap. **Do Not cut joist or stud.** If ductwork cutout falls over a joist or stud, a supporting frame must be constructed.

Flexible metal ductwork is Not recommended. If it is used, calculate each foot of flexible ductwork as two feet of rigid. Flexible elbows count twice as much as standard elbows. Use metal ductwork only. Figures 5-8 show common venting methods and types of materials needed.

NOTE: Make sure there is proper clearance within the wall or floor exhaust duct before making cutouts.

Recommended duct length

Ductwork length should not exceed the maximum length listed in the "Maximum length of duct system" chart. (See Panel C.)

Through the wall installation

Outside wall location

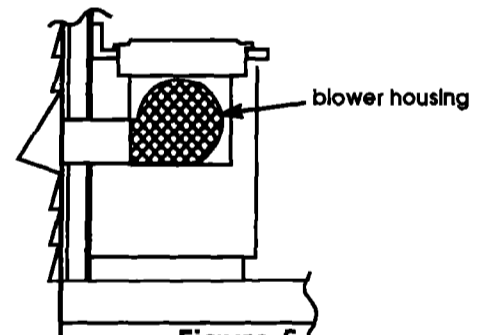


Figure 5

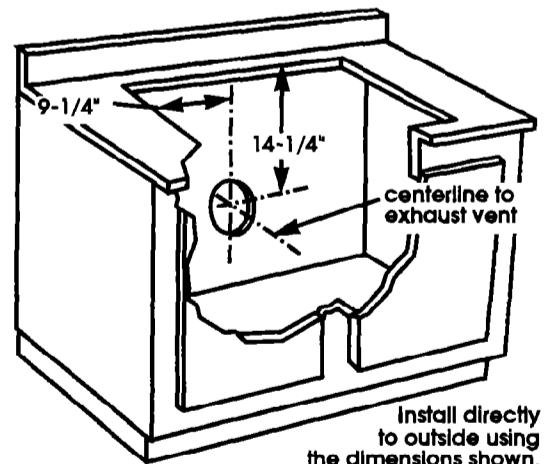


Figure 6

Through the floor installation

Island location

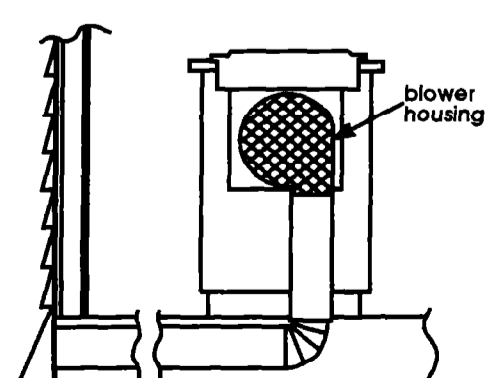


Figure 7

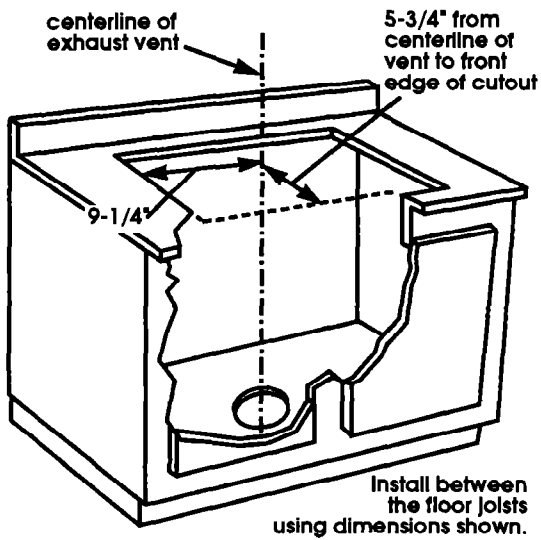


Figure 8

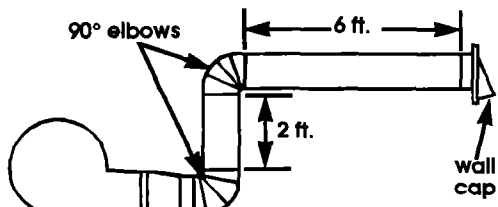
Recommended duct length for island or peninsula installations

Use round 6" or 3-1/4" x 10" duct with a maximum of 26 feet for duct system. For best performance, use no more than three 90° elbows. Do Not install two elbows together.

Determining the length of system you need.

To calculate the length of system you need, add the equivalent feet for each duct piece that will be needed. See the following examples.

6" duct system



Maximum length = 26 ft.

2 - 90° elbows = 10 ft.
1 - surface wall cap = 0 ft.
8 feet straight = 8 ft.

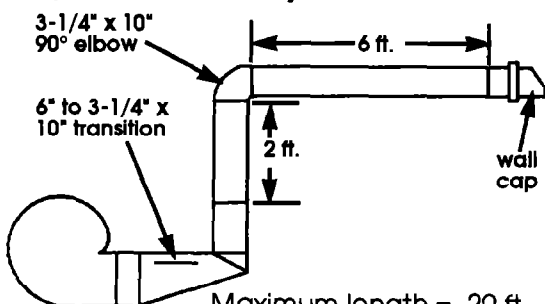
Length of 6" system = 18 ft.

Recommended standard fittings

6" systems: equivalent length of 6" duct

3-1/4" x 10" to 6" = 4.5 ft.	3-1/4" x 10" to 6" 90° elbow = 5 ft.	6" to 3-1/4" x 10" 90° elbow = 9 ft.	
90° elbow = 5 ft.	6" to 3-1/4" x 10" = 1 ft.	45° elbow = 2.5 ft.	6" wall cap = 0 ft.

3-1/4" x 10" duct system



Maximum length = 20 ft.

1 - 90° elbow = 5 ft.
1 - wall cap = 0 ft.
1 - 6" to 3-1/4" x 10" transition = 6 ft.
8 feet straight = 8 ft.

Length of 3-1/4" x 10" system = 19 ft.

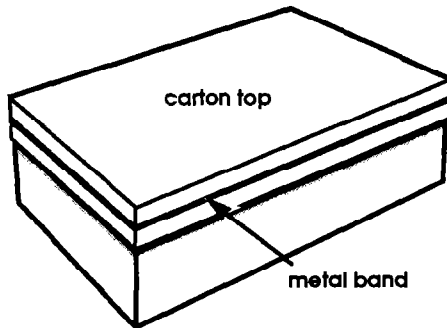
Recommended standard fittings

3-1/4" systems: equivalent length of 3-1/4" x 10" duct

3-1/4" x 10" to 6" = 4.5 ft.	6" to 3-1/4" x 10" 90° elbow = 9 ft.	6" to 3-1/4" x 10" = 1 ft.
3-1/4" x 10" 90° elbow = 5 ft.	3-1/4" x 10" flat elbow = 12 ft.	3-1/4" x 10" wall cap = 0 ft.

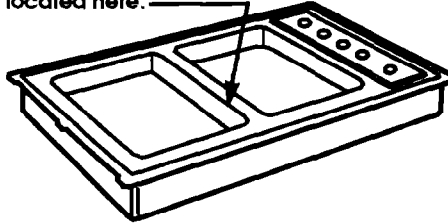
Panel C

Now start...



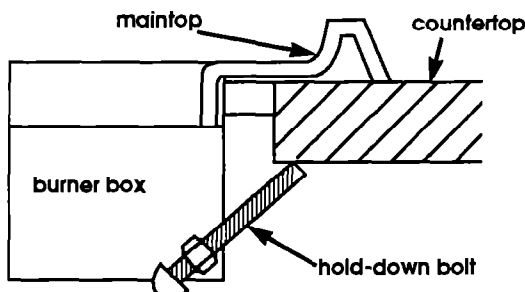
1. Cut metal band from around the top flange of carton and remove the top of carton.

Filters located here.



2. Remove the foam pads and cooktop from carton. Remove foam pads from front and back of cooktop. Remove any tape from cooktop, including tape holding filters inside the appliance.

3. Install venting adapter to blower housing using three screws provided. Rotate the blower housing downward to clear the cabinet opening.



4. Insert the downdraft cooktop into the countertop cutout. Check that front edge of downdraft cooktop is parallel to front edge of countertop and at least 1-1/2 inches back from front edge of countertop and 2 inches from any vertical walls. Tighten hold-down bolts at each side of unit.

5. Connect vent adapter to installed venting system. See "Venting requirements," Panels B and C.

6. Make electrical connections. See "Electrical requirements" and "Electrical connection" sections," Panels A and B.

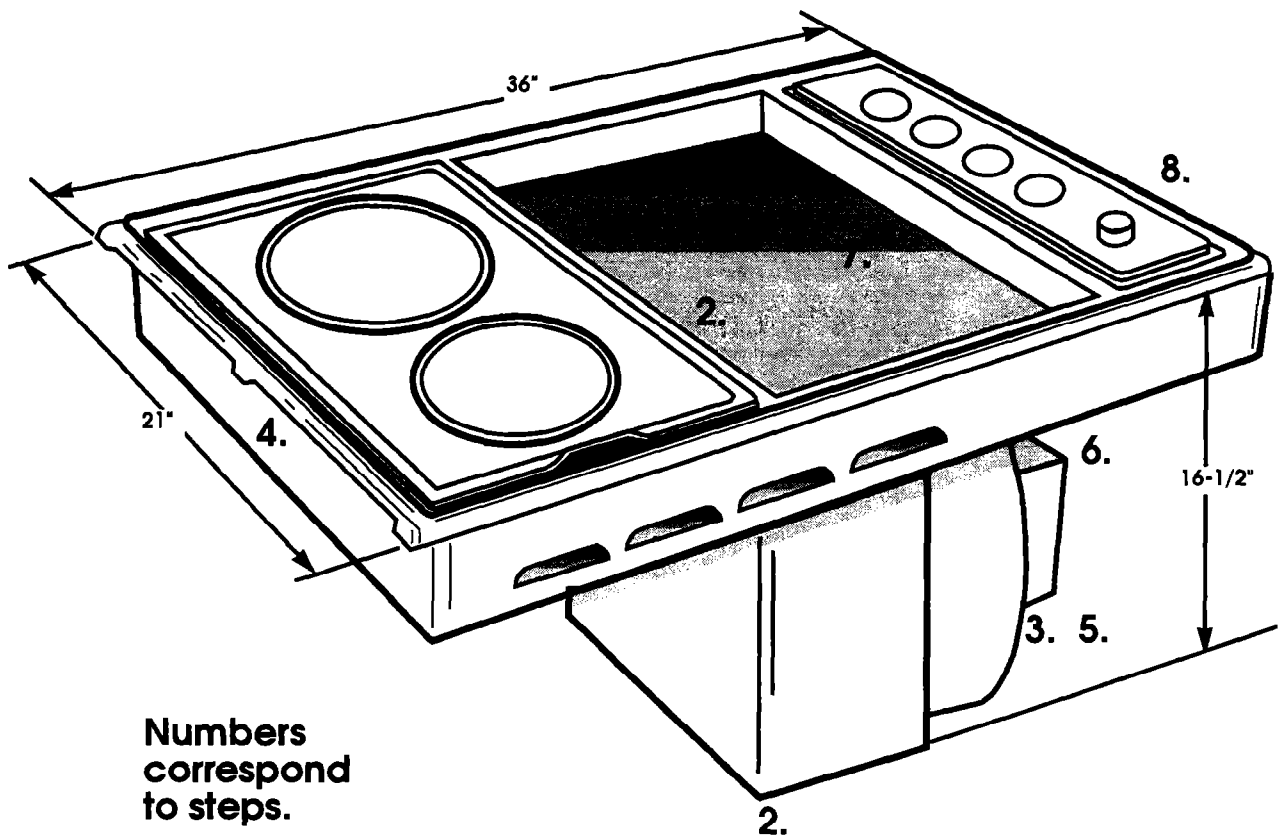
7. Install modules in cooktop following instructions in Use and Care Guide.

8. Turn power supply on. Check that grill, module and vents are operating correctly. If one does not operate, disconnect the power source and check that wire connections have been made correctly.

You have just finished installing your new Whirlpool downdraft cooktop. To get the most efficient use from your new downdraft cooktop, read your Whirlpool Use and Care Guide.

Congratulations!

Keep Installation Instructions and Guide close to downdraft cooktop for easy reference. The instructions will make reinstalling your Whirlpool downdraft cooktop in another home as easy as the first installation.



Numbers correspond to steps.

If the downdraft cooktop does not operate...

- Check that the circuit breaker is not tripped or the house fuse blown.
- See Use and Care Guide for troubleshooting checklist.

NOTE: Refer to Use and Care Guide for operating instructions and cleaning instructions.

If you need assistance...

The Whirlpool Consumer Assistance Center will answer any questions about operating or maintaining your cooktop not covered in the Installation Instructions. The Whirlpool Consumer Assistance Center is open 24 hours a day, 7 days a week. Just dial 1- (800) 253-1301 — the call is free. When you call, you will need the cooktop model number and serial number. Both numbers can be found on the serial/rating plate located on the rear wall of the burner box.

If you need service...

In the event that your Whirlpool appliance should need service, call the dealer from whom you purchased the appliance or a Whirlpool-authorized service company. A Whirlpool-authorized service company is listed in the Yellow Pages of your telephone directory under "Appliances — Household — Major — Service or Repair". You can also obtain the service company's name and telephone number by dialing, free, within the continental United States, the Whirlpool Consumer Assistance Center telephone number, 1-(800) 253-1301. A special operator will tell you the name and number of your nearest Whirlpool-authorized service company. Maintain the quality built into your Whirlpool appliance—call a Whirlpool-authorized service company.



Printed on recycled paper.
10% post consumer waste/
50% recovered materials.