



# Electric Built-in Cooktop

## PRODUCT MODEL NUMBERS

RCS2002GS	RCS3014GB
RCS2002GW	RCS3014GQ
RCS2012GS	RCS3014GS
RCS2012GW	RCS3014GT
RCS3004GS	RCS3614GB
RCS3004GV	RCS3614GQ
RCS3004GW	RCS3614GS
	RCS3614GT

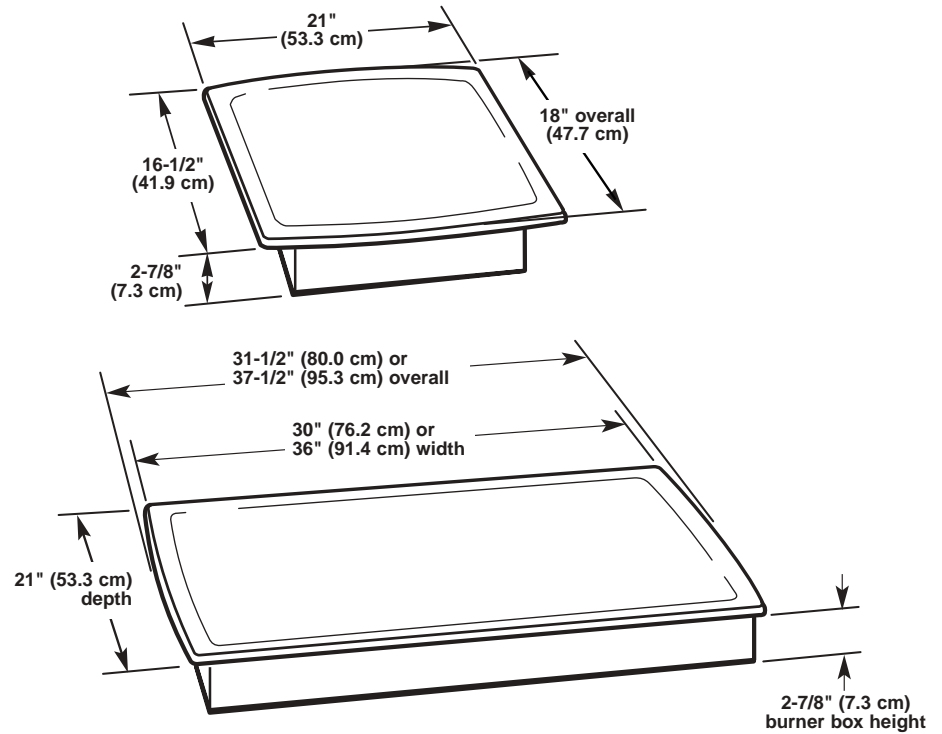
### Electrical:

**240-volt cooktop:** A three-wire or four-wire, single phase, 240-volt, 60-Hz, AC-only electrical supply is required on a separate, 40-ampere circuit (note: the RCS2012 series requires a 20 ampere circuit), fused on both sides of the line. Use copper wire only. A time-delay fuse or circuit breaker is recommended.

**120-volt cooktop:** 120-volt, 60-Hz, AC-only, 20-amp. electrical supply. Use copper wire only. A time-delay fuse or circuit breaker and separate circuit is recommended.

Grommet is required for electrical cable or power supply cord hole cut in a metal cabinet.

## OVERALL DIMENSIONS



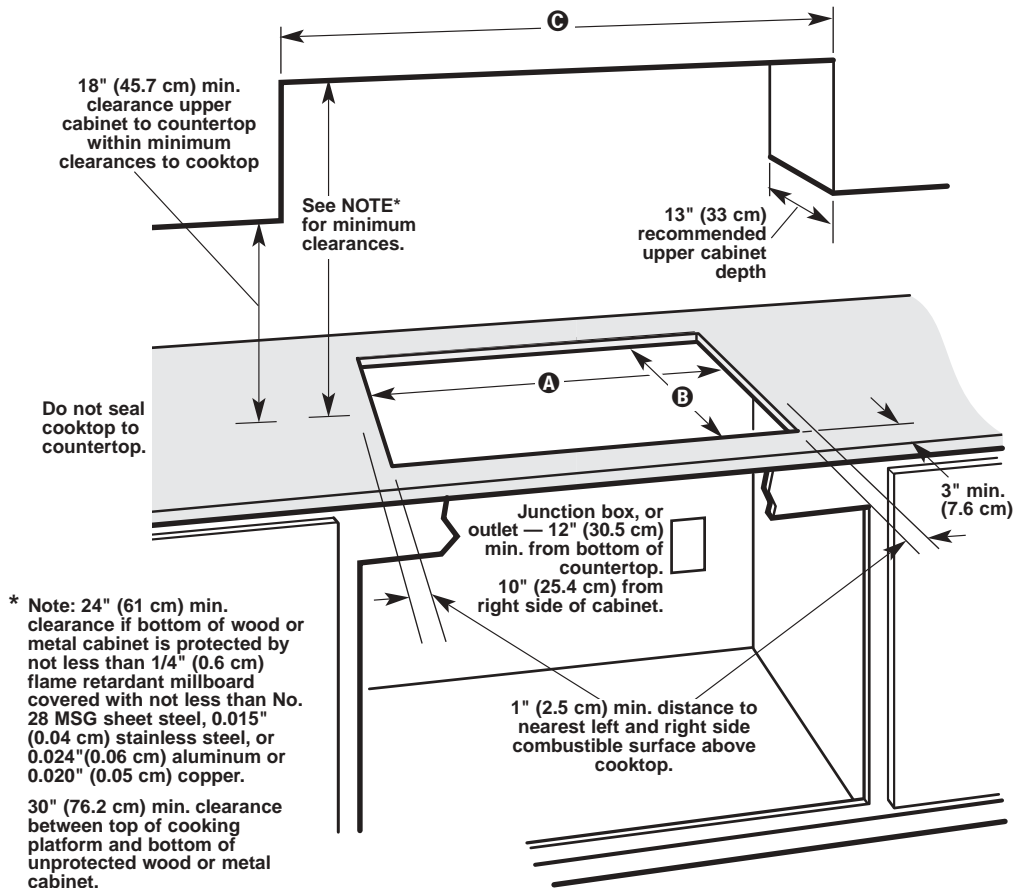
## CABINET OPENING DIMENSIONS

Cooktop width	A	B	C
21" (53.3 cm)	18-5/8" (33.7 cm)	15-1/2" (34.4 cm)	21" (53.3 cm)
30" (76.2 cm)	28-7/8" (73.3 cm)	18-5/8" (47.3 cm)	30" (76.2 cm)
36" (91.4 cm)	35" (89 cm)	18-5/8" (47.3 cm)	36" (91.4 cm)

### Base cabinet:

21" (53.3 cm) cooktop requires a 24" (61 cm) min. base cabinet.  
30" (76.2 cm) and 36" (91.4 cm) cooktops require a 30" (76.2 cm) base cabinet.

If cabinet has a drawer, a 4" (10.2 cm) depth clearance from the countertop to the top of the drawer (or other obstruction) in base cabinet is required.



\* Note: 24" (61 cm) min. clearance if bottom of wood or metal cabinet is protected by not less than 1/4" (0.6 cm) flame retardant millboard covered with not less than No. 28 MSG sheet steel, 0.015" (0.04 cm) stainless steel, or 0.024" (0.06 cm) aluminum or 0.020" (0.05 cm) copper.

30" (76.2 cm) min. clearance between top of cooking platform and bottom of unprotected wood or metal cabinet.