

JENN-AIR® DOUBLE REFRIGERATOR DRAWERS/ CAJÓN REFRIGERADO DOBLE JENN-AIR® DOUBLE TIROIR RÉFRIGÉRÉ JENN-AIR®

INSTALLATION GUIDE

IMPORTANT: READ AND SAVE THESE INSTRUCTIONS. INSTALLATION REQUIRES 2 OR MORE PEOPLE.

MANUAL DE INSTALACIÓN

IMPORTANTE: LEA Y GUARDE ESTAS INSTRUCCIONES. LA INSTALACIÓN REQUIERE DE 2 O MÁS PERSONAS.

GUIDE D'INSTALLATION

IMPORTANT : LIRE ET CONSERVER CES INSTRUCTIONS. L'INSTALLATION NÉCESSITE L'INTERVENTION DE 2 PERSONNES OU PLUS.

Table of Contents/Índice/Table des matières..... 2



W10122760A

TABLE OF CONTENTS

REFRIGERATOR DRAWERS SAFETY	3	INSTALLATION INSTRUCTIONS	6
Proper Disposal of Your Old Refrigerated Appliance.....	3	Unpack the Refrigerator Drawers.....	6
DESIGN SPECIFICATIONS	3	Remove the Base Grille.....	7
Models.....	3	Style 2: Install Custom Overlay Drawer Panels.....	7
INSTALLATION REQUIREMENTS	4	Install the Mounting Brackets.....	9
Tools and Parts.....	4	Move the Refrigerator Drawers to Final Location.....	10
Style 2: Custom Overlay Drawer Panels.....	4	Lower the Leveling Legs.....	10
Product Dimensions.....	5	Level the Refrigerator Drawers.....	10
Location Requirements.....	6	Attach the Mounting Brackets to Adjacent Cabinets.....	11
Electrical Requirements.....	6	Reinstall the Base Grille.....	11
		Complete Installation.....	11

ÍNDICE

SEGURIDAD DE LOS CAJONES REFRIGERADOS	13	INSTRUCCIONES DE INSTALACIÓN	16
Cómo deshacerse adecuadamente de su aparato refrigerado viejo.....	13	Cómo desempacar los cajones refrigerados.....	16
ESPECIFICACIONES DE DISEÑO	13	Cómo quitar la rejilla de la base.....	17
Modelos.....	13	Estilo 2: Instalación de los paneles de los cajones recubiertos a la medida.....	17
REQUISITOS DE INSTALACIÓN	14	Cómo instalar los soportes de montaje.....	19
Piezas y herramientas.....	14	Mueva los cajones refrigerados a su posición final.....	20
Estilo 2: Paneles de los cajones recubiertos a la medida.....	14	Cómo bajar las patas niveladoras.....	20
Medidas del producto.....	15	Nivelación de los cajones refrigerados.....	20
Requisitos de ubicación.....	16	Cómo fijar los soportes de montaje a los gabinetes adyacentes.....	21
Requisitos eléctricos.....	16	Cómo reinstalar la rejilla de la base.....	21
		Complete la instalación.....	21

TABLE DES MATIÈRES

SÉCURITÉ DES TIROIRS RÉFRIGÉRÉS	22	INSTRUCTIONS D'INSTALLATION	26
Mise au rebut correcte de votre vieil appareil réfrigéré.....	22	Déballage des tiroirs réfrigérés.....	26
SPÉCIFICATIONS DU DESIGN	22	Dépose de la grille de la base.....	26
Modèles.....	22	Style 2 : Installation des panneaux décoratifs de tiroir personnalisés.....	26
INSTRUCTIONS D'INSTALLATION	23	Installation des brides de montage.....	28
Outillage et pièces.....	23	Déplacement des tiroirs réfrigérés à leur emplacement final.....	29
Style 2 : Panneaux décoratifs de tiroirs personnalisés.....	23	Déploiement des pieds de nivellement.....	29
Dimensions du produit.....	24	Réglage de l'aplomb des tiroirs réfrigérés.....	29
Exigences d'emplacement.....	25	Fixation des brides de montage sur les placards adjacents.....	30
Spécifications électriques.....	25	Réinstallation de la grille de la base.....	31
		Achever l'installation.....	31

REFRIGERATOR DRAWERS SAFETY

Your safety and the safety of others are very important.

We have provided many important safety messages in this manual and on your appliance. Always read and obey all safety messages.



This is the safety alert symbol.

This symbol alerts you to potential hazards that can kill or hurt you and others.

All safety messages will follow the safety alert symbol and either the word “DANGER” or “WARNING.” These words mean:

⚠ DANGER

You can be killed or seriously injured if you don't immediately follow instructions.

⚠ WARNING

You can be killed or seriously injured if you don't follow instructions.

All safety messages will tell you what the potential hazard is, tell you how to reduce the chance of injury, and tell you what can happen if the instructions are not followed.

Proper Disposal of Your Old Refrigerated Appliance

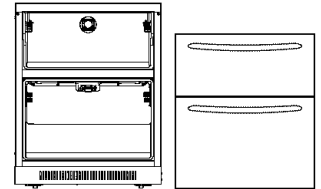
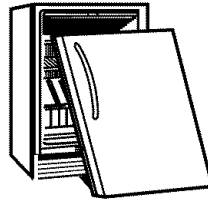
⚠ WARNING

Suffocation Hazard

Remove door or drawer(s) from your old refrigerated appliance.

Failure to do so can result in death or brain damage.

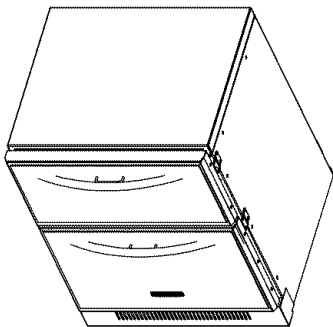
Before You Throw Away Your Old Refrigerated Appliance:
Remove the door or drawer(s).



IMPORTANT: Child entrapment and suffocation are not problems of the past. A junked or abandoned refrigerated appliance is still dangerous – even if it will sit for “just a few days.” If you are getting rid of your old refrigerated appliance, please follow these instructions to help prevent accidents.

DESIGN SPECIFICATIONS

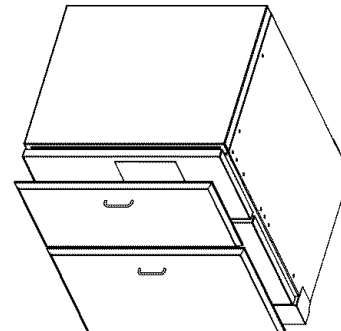
Models - Refrigerator Drawers



Style 1: Standard

Features wrap-around styling that complements the contoured door handles. This style provides warm, commercial-looking refrigerator drawers.

JUD278DBES00



Style 2: Overlay

Features factory-installed, overlay style trim to provide a “frameless” look. This style requires the installation of custom panels and handles.

JUD278DBCX00

INSTALLATION REQUIREMENTS

Tools and Parts

TOOLS NEEDED:

Gather the required tools and parts before starting installation. Read and follow the instructions provided with any tools listed here.

- Hand drill or electric drill (properly grounded)
- 1/8" Drill bit
- 5/16" Socket wrench
- 6" Socket extension (optional)
- Tape measure
- Level
- Phillips screwdriver
- T30 TORX[†] screwdriver

Additional Tools Needed for Style 2: Overlay (only):

- Scissors
- Pencil
- Scribe

PARTS NEEDED Style 2: Overlay (only):

- Custom Overlay Drawer Panels — See "Style 2: Custom Overlay Drawer Panels."
- Hardware
- #8 x 1/2" Pan-head screws (12) optional

PARTS SUPPLIED:

- #8 x 1/2" Pan-head screws (16)
- Double-sided tape
- Mounting Brackets (4)

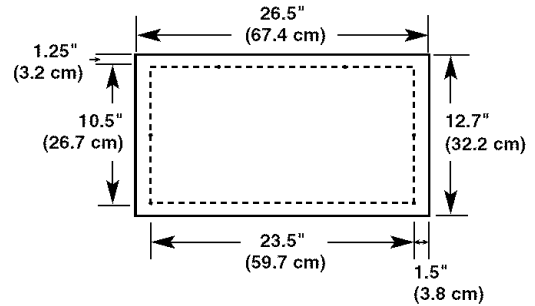
Style 2: Custom Overlay Drawer Panels

If you plan to install custom wood panels, you will need to create the panels yourself or consult a qualified cabinetmaker or carpenter. See dimension drawings for panel specifications.

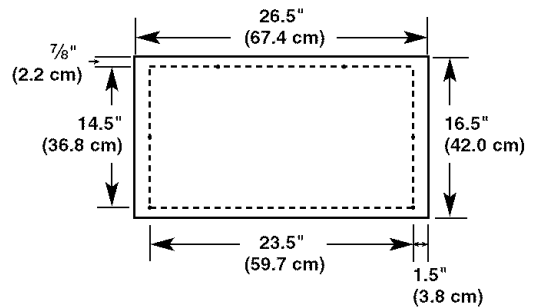
IMPORTANT:

- The thickness of the overlay panels must be 3/4" (19.05 mm).
- To avoid damage to the drawers, each overlay panel must not weigh more than 10 lbs (4.5 kg).
- Do not exceed the height dimension for the overlay panels. Panels that exceed the height dimension may damage the refrigerator drawers, cabinets or countertop.
- The width of the overlay panels may vary according to the width of the cabinet opening.

Top Overlay Drawer Panel Dimensions



Bottom Overlay Drawer Panel Dimensions



Flat Panels

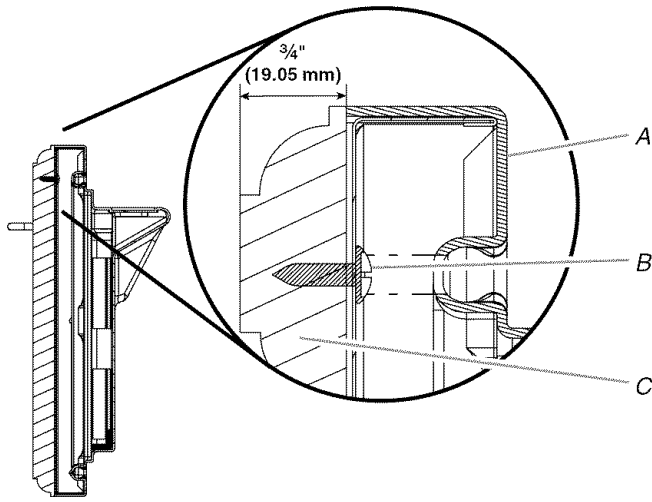
You can create a custom flat panel using material less than 3/4" (19.05 mm) thick. The material must be laminated to either plywood or medium density fiberboard that is 3/4" (19.05 mm) thick.

Raised Panels

You can create a raised panel design. Be sure to maintain a 3/4" (19.05 mm) minimum thickness where the overlay panel attaches to the drawer front.

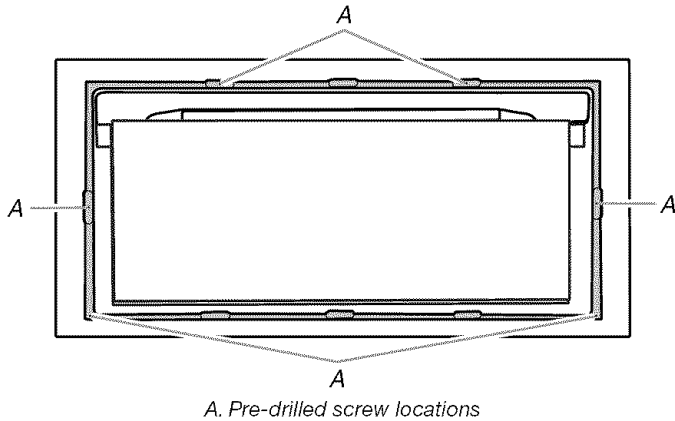
[†]TORX is a registered trademark of Textron Innovations Inc.

Raised Panel Attachment



- A. Drawer front
- B. #8 x 1/2" pan-head screw
- C. Overlay panel

Drawer Front #8 x 1/2" Pan-head Screw Locations

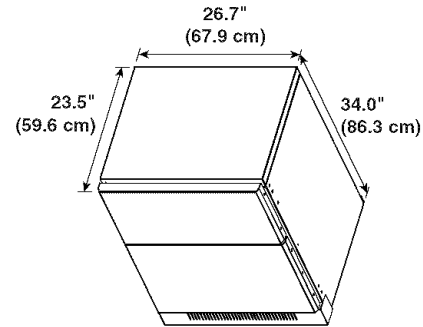


2. Center the custom hardware (left to right) onto the overlay panel. When installing the custom hardware, be sure that the mounting screws are flush with the back of the overlay panels.
3. Repeat the process for the other overlay panel.

Product Dimensions

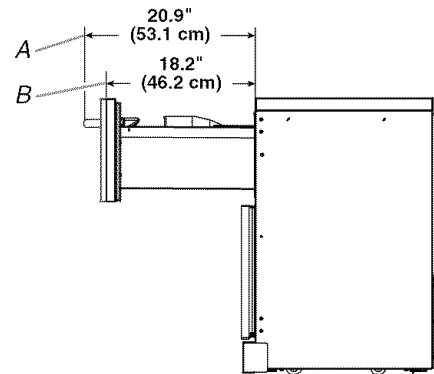
Styles 1 and 2: Standard and Overlay

- Height dimensions are shown with the leveling legs extended to 1/4" (6.35 mm) below the refrigerator drawers.
- When leveling legs are fully extended to 1" (25 mm) below the refrigerator drawers, add 3/4" (19.05 mm) to the height dimensions.
- The power cord is 60" (152.4 cm) long.



Drawer Opening Dimensions

Dimensions vary based on model, as shown.



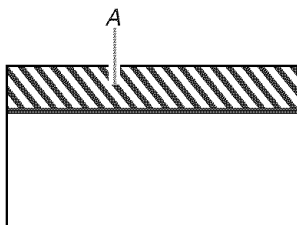
- A. Style 1: Standard
- B. Style 2: Overlay—Measurement does not include 3/4" (19.05 mm) overlay panel or optional hardware

Hardware Installation (optional)

Customer supplied handles (hardware) may be installed at this time.

1. Measure and mark a line 3" (7.62 cm) down from the top of the overlay panel as shown.

IMPORTANT: Install hardware a minimum of 3" (7.62 cm) down from the top of the overlay panel. The space at the top of the panel is needed in order to attach the overlay panel to the drawer front.



A. 3" (7.62 cm) area

Location Requirements

⚠ WARNING



Explosion Hazard

Keep flammable materials and vapors, such as gasoline, away from refrigerator drawer(s).

Failure to do so can result in death, explosion, or fire.

NOTES:

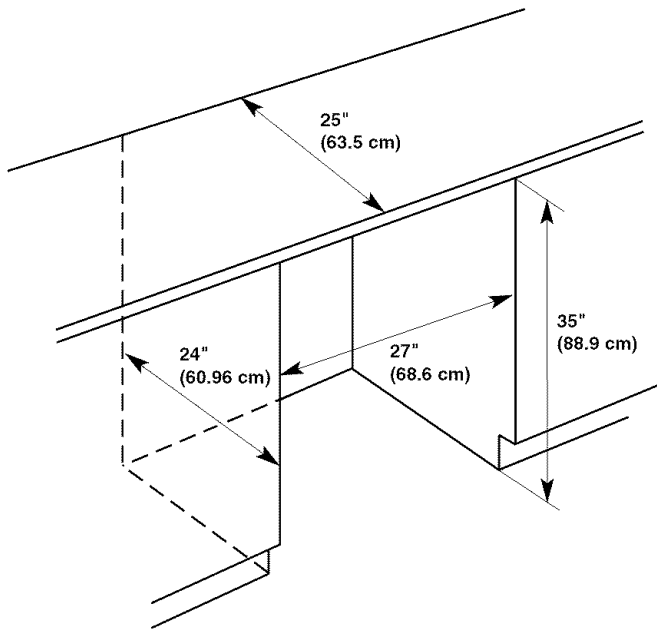
- For the refrigerator drawers to be flush with the front of the base cabinets remove any baseboards or moldings from the rear of the opening. See "Product Dimensions" and later in this section "Opening Dimensions (both styles)."
- It is recommended that you do not install the refrigerator drawers near an oven, radiator, or other heat source.
- Do not install in a location where the temperature will fall below 55°F (13°C).

Opening Dimensions (both styles)

- Height dimensions are shown with the leveling legs extended to the minimum height of ¼" (6.35 mm) below the refrigerator drawers.

NOTE: When leveling legs are fully extended to 1" (25 mm) below the refrigerator drawers, add ¾" (19.05 mm) to the height dimensions. See "Product Dimensions."

- If the floor of the opening is not level with the kitchen floor, shim the opening to make it level with the kitchen floor.



Electrical Requirements

⚠ WARNING



Electrical Shock Hazard

Plug into a grounded 3 prong outlet.

Do not remove ground prong.

Do not use an adapter.

Do not use an extension cord.

Failure to follow these instructions can result in death, fire, or electrical shock.

Before you move your refrigerator drawers into the final location, it is important to make sure you have the proper electrical connection.

Recommended grounding method

A 115 Volt, 60 Hz., AC only, 15- or 20-amp fused, grounded electrical supply is required. It is recommended that a separate circuit serving only your refrigerator drawers be provided. Use an outlet that cannot be turned off by a switch. Do not use an extension cord.

IMPORTANT: If this product is connected to a GFCI (Ground Fault Circuit Interrupter) protected outlet, nuisance tripping of the power supply may occur, resulting in loss of cooling. Food quality and flavor may be affected. If nuisance tripping has occurred, and if the condition of the food appears poor, dispose of it.

INSTALLATION INSTRUCTIONS

Unpack the Refrigerator Drawers

⚠ WARNING

Excessive Weight Hazard

Use two or more people to move and install refrigerator drawer(s).

Failure to do so can result in back or other injury.

Remove the Packaging

Properly dispose of packaging. Do not use sharp instruments, rubbing alcohol, flammable fluids, or abrasive cleaners to remove tape or glue. These products can damage the surface of your refrigerator drawers.

Remove the Skids

IMPORTANT:

- Always lay the appliance on its side when removing the skids.
 - Never place the appliance on its top. It may damage the compressor.
 - Allow the appliance to sit on its rollers for 4 hours before plugging into an electrical outlet.
1. Using two or more people, lay the appliance on its side.
 2. Using a T30 TORX® screwdriver, remove the skids from the bottom of the appliance. Discard the attachment bolts.
 3. Using two or more people, turn the appliance upright on its rollers.

When Moving Your Refrigerator Drawers:

Your refrigerator drawers are heavy. When moving the appliance for service, be sure to protect the floor. Always pull the appliance straight out when moving it. Do not wiggle or “walk” the appliance when trying to move it, as floor damage could occur.

Clean Before Using

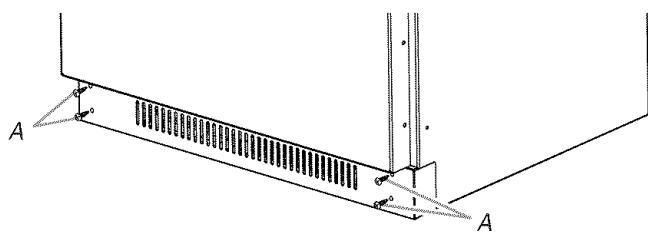
After you remove all of the package materials, clean the inside of your refrigerator drawers before using them. See the cleaning instructions in the Use & Care Guide.

Remove the Base Grille

IMPORTANT: You must remove the base grille in order to lower the leveling legs. Be sure to reinstall the base grille when the installation is complete.

1. Using a Phillips screwdriver, remove the four screws from the base grille as shown.

NOTE: Do not discard the screws.



A. Screws

2. Place the base grille on a clean, soft working surface for later use.

Style 2: Install Custom Overlay Drawer Panels

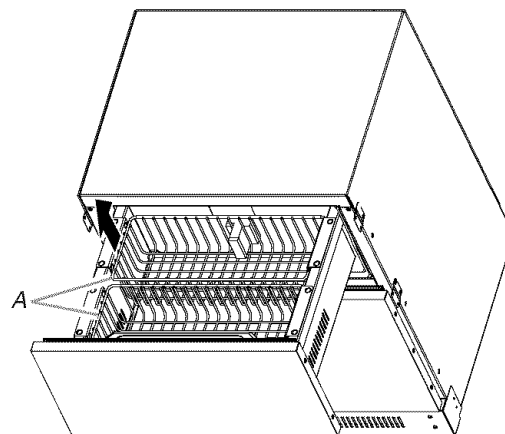
If you have Style 1: Standard refrigerator drawers, skip this step. Go to “Attach the Mounting Brackets to Adjacent Cabinets” to continue the installation.

IMPORTANT:

- Create custom overlay drawer panels according to the specifications in the “Style 2: Custom Overlay Drawer Panels” section.
- Jenn-Air is not responsible for the removal or addition of molding or decorative panels that would not allow access to the refrigerator drawers for service.

Remove the Wire Baskets

1. Open the drawer to full extension and remove all articles from the wire baskets.
2. Pull the wire baskets out to full extension and lift out to remove.



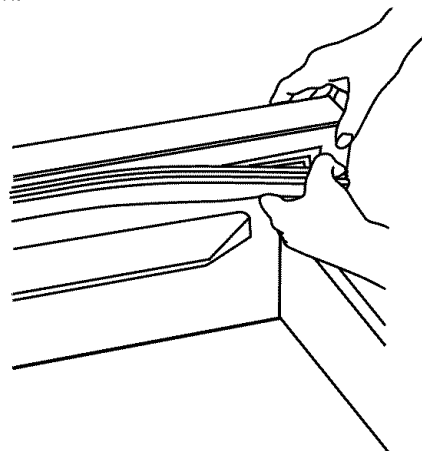
A. Wire baskets

3. Repeat the process for the other drawer.

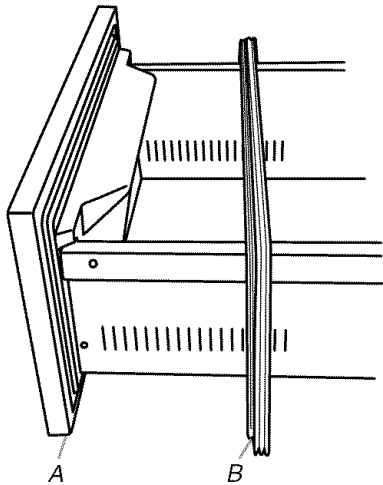
Remove the Gaskets

IMPORTANT: The gaskets contain strong magnetic strips. Follow these instructions and keep screws and other loose metal parts away from the gaskets to avoid damaging them.

1. Begin at the top right corner. Slowly pull the gasket out of the corner and continue working slowly toward the opposite side as shown.



2. Proceed slowly from corner to corner until the gasket is completely free from the groove.
3. Gently push the gasket to the back of the drawer. Be sure to keep all screws and loose metal parts away from the magnetic gasket as shown.



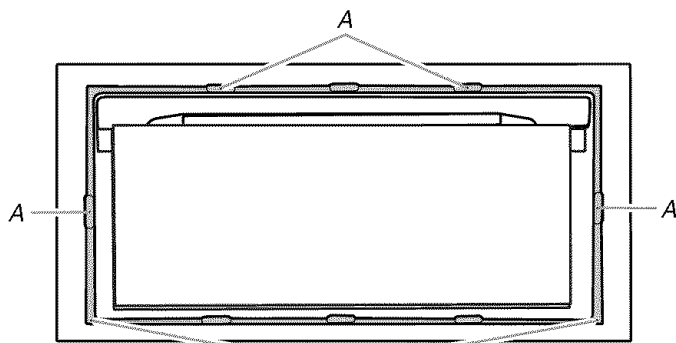
A. Drawer front
B. Gasket

4. Repeat the process for the other gasket.

Install the Custom Overlay Panels

IMPORTANT:

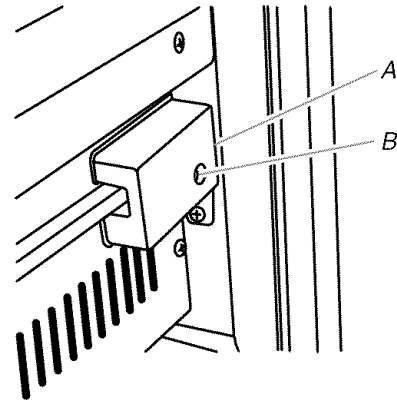
- Before installing the custom overlay panels, be sure to install any custom hardware. See “Hardware Installation (optional).”
 - Be sure to maintain a $\frac{3}{8}$ " (9.52 mm) gap between the overlay panel (top drawer) and the bottom of the kitchen cabinet.
1. Using a Phillips screwdriver or scribe, remove any residual foam from the pre-drilled pilot holes.



A. Pre-drilled pilot holes

2. Using a Phillips screwdriver, remove the wiring plug cover for the upper drawer as shown. Do not discard the screw or cover. Set them aside for later use.

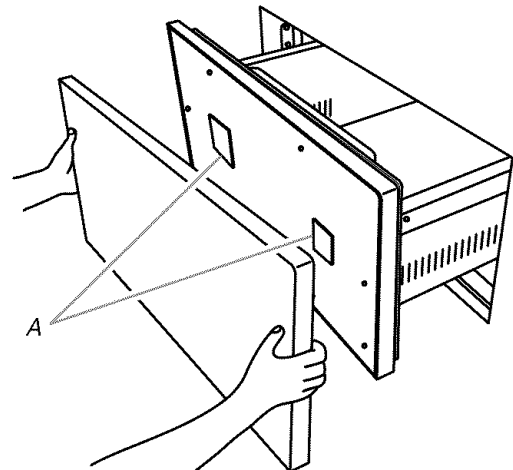
NOTE: Removing the wiring plug cover will allow for easier access when drilling and attaching the drawer front to the overlay panel. Be sure to replace the wiring plug cover when installation is complete.



A. Wiring plug cover
B. Screw

3. Remove the backing from the double-sided tape. Install the overlay panel to the drawer front. Be sure to align all edges of the drawer front to the overlay panel. Be sure that the overlay panel is level.

NOTE: The tape will secure the panel in place while drilling the pilot holes.



A. Double-sided tape

4. Using the pre-drilled holes in the drawer front as a guide, use a scribe to mark the drilling locations on the overlay panel. Drill six $\frac{1}{8}$ " diam. x $\frac{1}{2}$ " deep (3.18 mm x 12.7 mm) holes into the overlay panel.

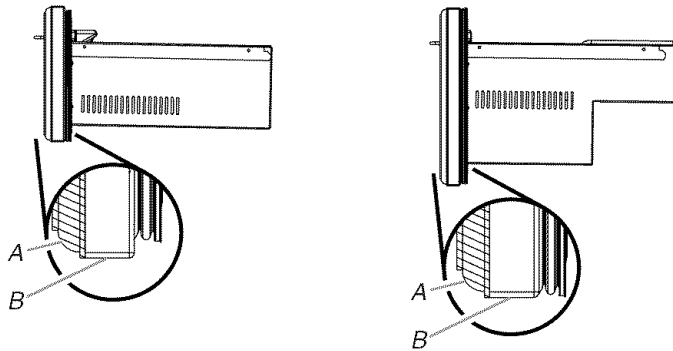
IMPORTANT: Do not drill deeper than $\frac{1}{2}$ " (12.7 mm).

5. Drive six #8 x $\frac{1}{2}$ " pan-head screws through the drawer front into the overlay panel.

6. Be sure that the overlay panels are flush with the bottom of the drawer fronts.

Top Drawer

Bottom Drawer



A. Overlay panel
B. Drawer front

7. Repeat the process for the other drawer front.
8. Using a Phillips screwdriver, reinstall the wiring plug cover (upper drawer).

Reinstall the Gaskets

1. Starting at the corners, and working toward the opposite corner, press the gasket back into the groove. Be sure to seat the gasket on all four sides.
2. Repeat the process for the other drawer.

Install the Wire Baskets

Reinstall the wire baskets. See "Remove the Wire Baskets," earlier in this section.

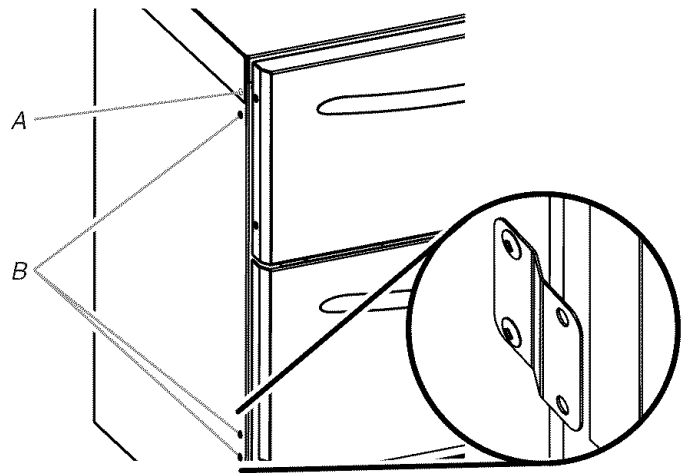
Install the Mounting Brackets

IMPORTANT:

- Install two mounting brackets (upper and lower) on both sides of the refrigerator drawers cabinet. The mounting brackets secure the appliance to the adjacent cabinets.
- To avoid the appliance pulling out of the opening when the drawers are opened, secure the mounting brackets to the adjacent cabinets.
- The mounting bracket has an offset. Be sure when installing the mounting brackets to position the offset to the adjacent cabinets.

1. Begin installation (on each side) at the pre-drilled holes for the upper mounting brackets.

NOTE: Insulation tape covers the top pre-drilled holes for the upper mounting brackets. Do not remove the insulation tape when installing the upper mounting brackets.



A. Pre-drilled top hole is underneath the insulation tape
B. Pre-drilled holes

2. Using a Phillips screwdriver and one #8 x 1/2" pan-head screw, drive the screw through the bottom hole of upper mounting bracket and into the pre-drilled hole. Tighten the screw.
3. Push a pan-head screw through the insulation tape and into the pre-drilled hole. Tighten the screw.
4. Using a Phillips screwdriver and two #8 x 1/2" pan-head screws, drive the screws through the holes in the lower mounting bracket into the pre-drilled holes. Tighten the screws.
5. Repeat the process for the other side.
6. Set aside the remaining eight #8 x 1/2" pan-head screws for later use. See "Attach the Mounting Brackets to Adjacent Cabinets."

Move the Refrigerator Drawers to Final Location

IMPORTANT:

- To avoid floor damage, make sure the levelers are raised (not touching floor) and the weight of the appliance is on the rollers before moving.
 - Rollers are for moving the refrigerator drawers and not for permanent support.
1. Place top of cardboard carton or plywood under the appliance. Remove dolly.
 2. Do not remove protective film or cover.

⚠ WARNING



Electrical Shock Hazard

Plug into a grounded 3 prong outlet.

Do not remove ground prong.

Do not use an adapter.

Do not use an extension cord.

Failure to follow these instructions can result in death, fire, or electrical shock.

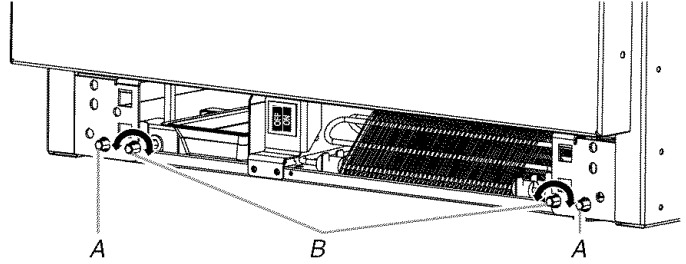
3. Plug into a grounded 3 prong outlet.
4. Move the refrigerator drawers straight back and evenly in front of the opening.

Lower the Leveling Legs

IMPORTANT:

- All four leveling legs must contact the floor to support and stabilize the full weight of the refrigerator drawers.
- Rollers are for moving the refrigerator drawers and not for permanent support.
- To avoid cabinet/countertop damage, do not apply more than 50 inch-pounds (58 cm - kg) of torque to the leveling legs.
- When leveling, be sure that the gap between the upper drawer and the bottom edge of the countertop is a minimum of $\frac{3}{8}$ " (9.5 mm).
- Style 2: Overlay—Be sure to install the custom overlay drawer panels before leveling the refrigerator drawers. See "Style 2: Install Custom Overlay Drawer Panels."

1. Using a $\frac{5}{16}$ " socket wrench (and extension if necessary), turn the leveling bolts on both sides of the refrigerator drawers to the right (clockwise) until the leveling legs support the refrigerator drawers' weight.



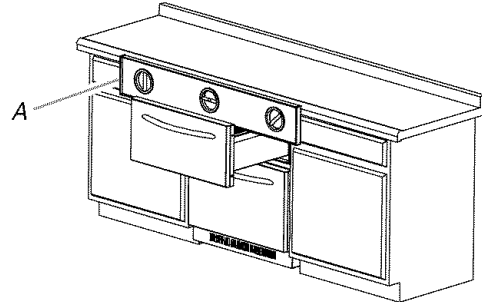
A. Rear leveling bolt
B. Front leveling bolt

2. Lower all four leveling legs until the refrigerator drawers are the proper height.

Level the Refrigerator Drawers

IMPORTANT:

- Style 2—Overlay: Be sure to install the custom overlay drawer panels before leveling the refrigerator drawers for the Overlay Model. See "Style 2: Install Custom Overlay Drawer Panels."
 - Before installing the refrigerator drawers, be sure that the countertop is level.
 - If the countertop is not level, adjust the refrigerator drawers' front and rear leveling bolts until the appliance is square with the countertop. Be sure to maintain $\frac{3}{8}$ " (9.5 mm) minimum gap between the top of the drawer and the countertop.
1. Open the top drawer and place the level across the top drawer as shown. Check the level from left to right.



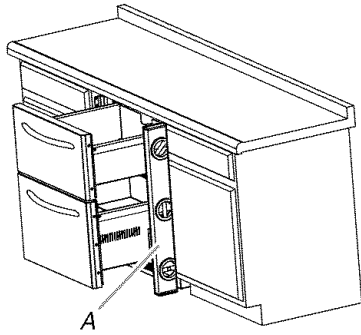
A. Check the level from left to right.

2. Using the front and rear leveling bolts, adjust the refrigerator drawers cabinet until the top drawer measures level from left to right. See "Lower Leveling Legs."

NOTE: Adjusting the front and rear leveling bolts together will either raise or lower the side of the refrigerator drawers cabinet.

3. Remove the level and close the top drawer. Check the gap between the top of the drawer and the countertop. If the gap measures less than $\frac{3}{8}$ " (9.5 mm) minimum, turn all four leveling bolts equally to the left to raise the leveling legs (this will lower the appliance). Recheck the level.

- Open both drawers less than midway. Place the level on the side flange beside the drawers as shown. Turn the front leveling bolts together in order to either raise or lower the appliance until the sides of the refrigerator drawers are plumb.



A. Check the level from front to back.

- Remove the level and close the drawers. Recheck the gap between the top of the drawer and the countertop. If the gap measures less than $\frac{3}{8}$ " (9.5 mm), turn all four leveling bolts equally to raise the leveling legs (this will lower the appliance). Recheck the level.

NOTE: Be sure to recheck the horizontal level of the top drawer.

- Be sure all four levelers are on the floor and supporting the full weight of the refrigerator drawers.

Attach the Mounting Brackets to Adjacent Cabinets

IMPORTANT: To avoid damage to your cabinets or countertop, be sure to secure the mounting brackets to the adjacent cabinets.

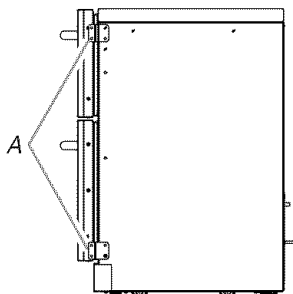
- Center the refrigerator drawers cabinet in the opening.
- Pull out the upper drawer far enough to reach the mounting brackets.

NOTE: Do not pull the drawer out more than midway.

- Using the upper mounting brackets as a guide, predrill two $\frac{1}{8}$ " (3.18 mm) holes through the mounting brackets (for each side) into the adjacent cabinets. Be sure to drill at least two holes per mounting bracket.

NOTE: Be sure the refrigerator drawers are level before securing the upper mounting brackets.

- Using four #8 x $\frac{1}{2}$ " pan-head screws, attach the upper mounting brackets to the adjacent cabinets.

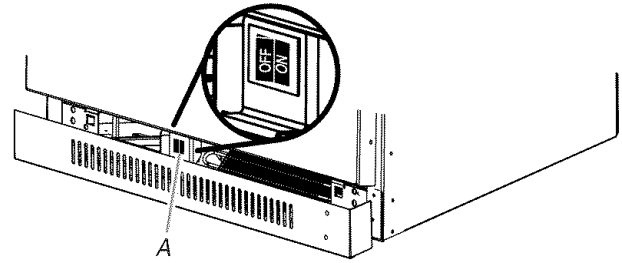


A. Mounting brackets

- Repeat the process for the lower drawer.

Reinstall the Base Grille

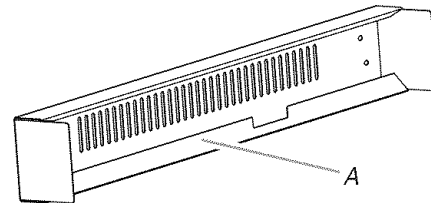
- Be sure the Power On/Off Switch is on.



A. Power On/Off Switch (ON)

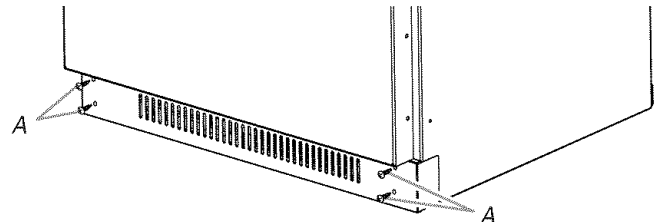
- Reinstall the base grille.

NOTE: The bottom of the base grille has a notch and a wider flange than the top.



A. Bottom flange

- Using a Phillips screwdriver, drive the four screws into the base grille as shown. Tighten all screws.



A. Screws

Complete Installation

- Remove all boxes, parts packages and packing materials from the interior of the refrigerator drawers.
- Remove the protective film.
- Clean the refrigerator drawers before use. See "Cleaning" section in the Use & Care Guide for instructions.
- The controls are preset at the factory to the default setting 38°F (3°C) for the upper and lower drawers. Be sure that the compressor is operating properly and that all the lights are working.
- Reinstall the wire baskets in the refrigerator drawers. You can install both wire baskets in the upper drawer, or, install one wire basket in the upper drawer and the other wire basket in the lower drawer.
- If construction will continue after the refrigerator drawers have been installed, turn the power Off for both Drawers. See "Using the Controls" in the Use & Care Guide for instructions.

To get the most efficient use from your new refrigerator drawers, read your Use & Care Guide. Keep these Installation Instructions and Use & Care Guide near the refrigerator drawers for easy reference.

Notes

SEGURIDAD DE LOS CAJONES REFRIGERADOS

Su seguridad y la seguridad de los demás es muy importante.

Hemos incluido muchos mensajes importantes de seguridad en este manual y en su electrodoméstico. Lea y obedezca siempre todos los mensajes de seguridad.



Este es el símbolo de advertencia de seguridad.

Este símbolo le llama la atención sobre peligros potenciales que pueden ocasionar la muerte o una lesión a usted y a los demás.

Todos los mensajes de seguridad irán a continuación del símbolo de advertencia de seguridad y de la palabra "PELIGRO" o "ADVERTENCIA". Estas palabras significan:

⚠ PELIGRO

Si no sigue las instrucciones de inmediato, usted puede morir o sufrir una lesión grave.

⚠ ADVERTENCIA

Si no sigue las instrucciones, usted puede morir o sufrir una lesión grave.

Todos los mensajes de seguridad le dirán el peligro potencial, le dirán cómo reducir las posibilidades de sufrir una lesión y lo que puede suceder si no se siguen las instrucciones.

Cómo deshacerse adecuadamente de su aparato refrigerado viejo

⚠ ADVERTENCIA

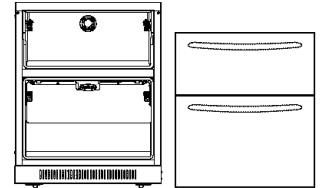
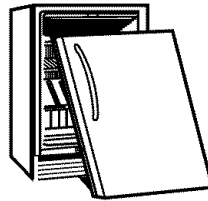
Peligro de Asfixia

Remueva la puerta o el(los) cajón(cajones) de su aparato refrigerado viejo.

No seguir esta instrucción puede ocasionar la muerte o daño al cerebro.

Antes de descartar su aparato refrigerado viejo:

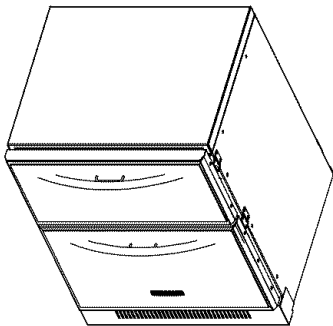
Saque la puerta o el(los) cajón(cajones).



IMPORTANTE: El atrapamiento y asfixia de niños no es un problema del pasado. Un aparato refrigerado tirado y abandonado es un peligro, aún si va a quedar ahí "por unos pocos días". Si Ud. está por deshacerse de su aparato refrigerado viejo, por favor siga las instrucciones que se dan a continuación para prevenir accidentes.

ESPECIFICACIONES DE DISEÑO

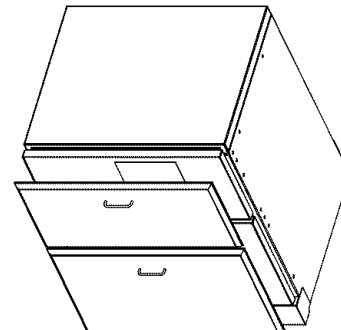
Modelos - Cajones refrigerados



Estilo 1: Estándar

Presenta un estilo envolvente que complementa los contornos de las agarraderas de la puerta. Este estilo ofrece un estilo comercial cálido para cajones refrigerados.

JUD278DBES00



Estilo 2: Recubierto

Presenta un adorno recubierto instalado de fábrica que ofrece un estilo "sin marco". Este estilo requiere la instalación de paneles y agarraderas a la medida.

JUD278DBCX00

REQUISITOS DE INSTALACIÓN

Piezas y herramientas

HERRAMIENTAS NECESARIAS:

Reúna las herramientas y piezas necesarias antes de comenzar la instalación.

Lea y siga las instrucciones provistas con cualquiera de las herramientas enlistadas aquí.

- Taladro manual o eléctrico (debidamente conectado a tierra)
- Broca de 1/8"
- Llave de cubo de 5/16"
- Extensión de cubo de 6" (opcional)
- Cinta para medir
- Nivel
- Destornillador Phillips
- Destornillador T30 TORX®†

Herramientas adicionales necesarias para el Estilo 2: Recubierto (únicamente):

- Tijeras
- Lápiz
- Punta de trazar

PIEZAS NECESARIAS para el Estilo 2: Recubierto (únicamente):

- Paneles de los cajones recubiertos a la medida - Vea "Estilo 2: Paneles de los cajones recubiertos a la medida".
- Artículos de ferretería
- Tornillos de cabeza de cono achatado # 8 x 1/2" (12) opcionales

PIEZAS SUMINISTRADAS:

- Tornillos de cabeza de cono achatado # 8 x 1/2" (16)
- Soportes de montaje (4)
- Cinta adhesiva con pegamento en los dos lados

Estilo 2: Paneles de los cajones recubiertos a la medida

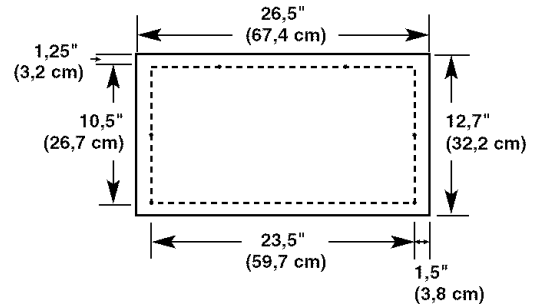
Si va a instalar paneles de madera a la medida, deberá hacerlos usted mismo o consultar un carpintero o fabricante de gabinetes calificado. Para obtener información acerca de las especificaciones de los paneles, vea los gráficos de dimensiones.

IMPORTANTE:

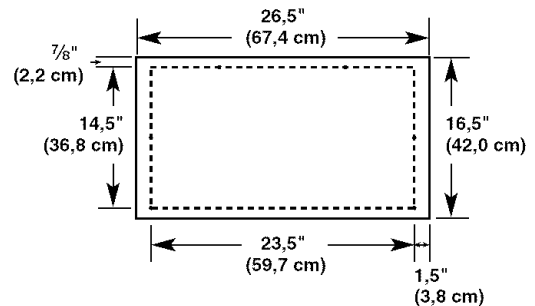
- El grosor de los paneles recubiertos debe ser de 3/4" (19,05 mm).
- Para evitar dañar los cajones, cada panel recubierto no debe pesar más de 10 lbs (4,5 kg).

- No sobrepase la medida de altura establecida para los paneles recubiertos. Los paneles que sobrepasan la medida de altura pueden dañar los cajones refrigerados, los gabinetes o el mostrador.
- El ancho de los paneles recubiertos puede variar de acuerdo con el ancho de la abertura del gabinete.

Medidas del panel superior de los cajones recubiertos



Medidas del panel inferior de los cajones recubiertos



Paneles planos

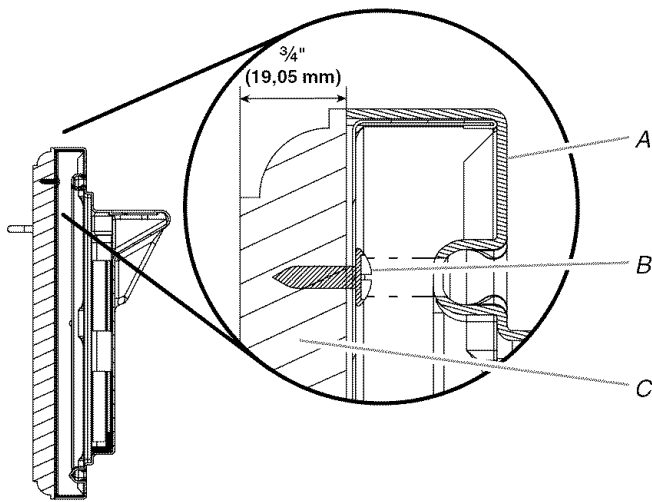
Se pueden crear paneles planos a la medida de un grosor menor de 3/4" (19,05 mm). El material debe estar laminado en madera terciada o tablas de fibra de densidad media de 3/4" (19,05 mm) de grosor.

Paneles con relieve

Se puede crear un diseño de panel con relieve. Asegúrese de mantener un espesor mínimo de 3/4" (19,05 mm) donde el panel recubierto se une con el frente del cajón.

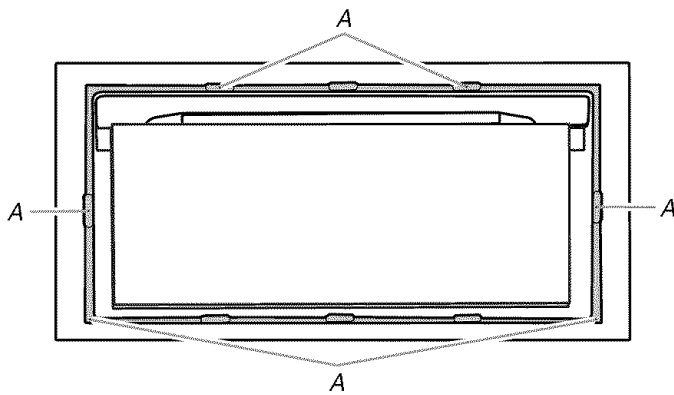
†@TORX es una marca registrada de Textron Innovations, Inc.

Accesorio para el panel con relieve



A. Frente del cajón
B. Tornillo de cabeza de cono achatado #8 x 1/2"
C. Panel recubierto

Ubicaciones de los tornillos de cabeza de cono achatado #8 x 1/2" del frente del cajón



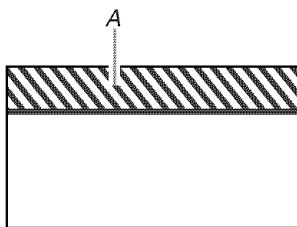
A. Ubicaciones de los tornillos de montaje perforados previamente

Instalación de artículos de ferretería (opcional)

En este paso se pueden instalar las manijas (artículos de ferretería) provistas por el cliente.

1. Mida y marque una línea a 3" (7,62 cm) debajo de la parte superior del panel recubierto, como se muestra.

IMPORTANTE: Instale los artículos de ferretería a un mínimo de 3" (7,62 cm) debajo de la parte superior del panel recubierto. El espacio en la parte superior del panel es necesario para ajustar el panel recubierto al frente del cajón.



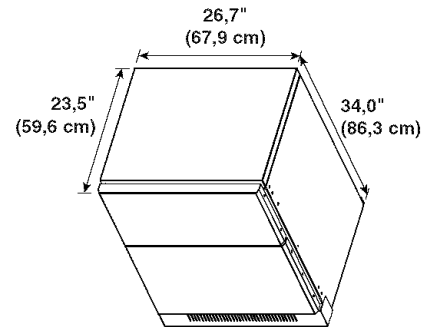
A. Área de 3" (7,62 cm)

2. Centre los artículos de ferretería a la medida (de izquierda a derecha) sobre el panel recubierto. Asegúrese al instalar los herrajes a la medida que los tornillos de montaje estén al ras con la parte trasera de los paneles recubiertos.
3. Repita el procedimiento con el otro panel recubierto.

Medidas del producto

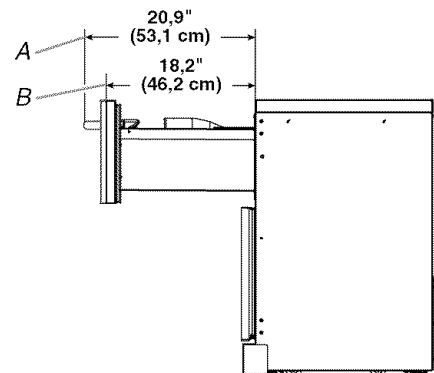
Estilos 1 y 2: Estándar y recubierto

- Las medidas de altura indicadas consideran las patas niveladoras extendidas a la altura mínima de 1/4" (6,35 mm) por debajo de los cajones refrigerados.
- Si las patas niveladoras están totalmente extendidas 1" (25 mm) por debajo de los cajones refrigerados, agregue 3/4" (19,05 mm) a las medidas de altura.
- El cable de suministro de energía es de 60" (152,4 cm) de largo.



Medidas de abertura de los cajones

Las medidas varían según el modelo, como se muestra.



A. Estilo 1: Estándar
B. Estilo 2: Recubierto - Las medidas no incluyen el panel recubierto de 3/4" (19,05 mm) o los herrajes opcionales

Requisitos de ubicación

⚠ ADVERTENCIA



Peligro de Explosión

Mantenga los materiales y vapores inflamables, tales como gasolina, alejados del(de los) cajón(cajones) refrigerado(s).

No seguir esta instrucción puede ocasionar la muerte, explosión, o incendio.

NOTAS:

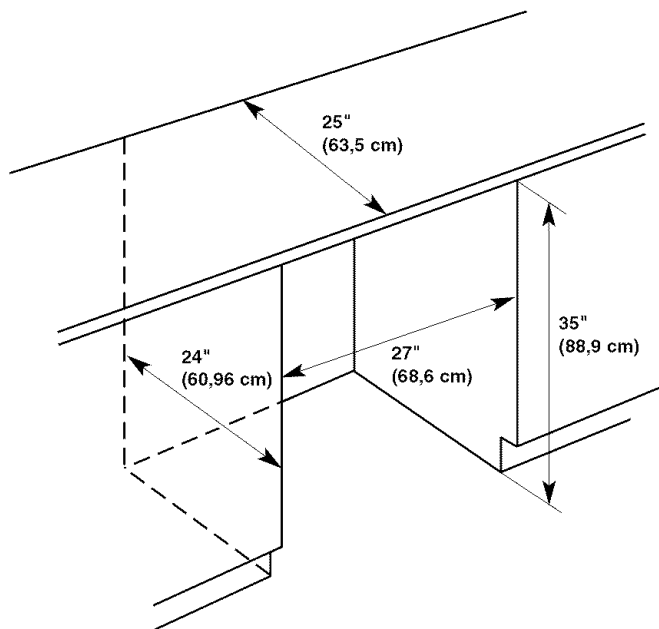
- Para que los cajones refrigerados estén alineados con el frente de los gabinetes de la base, quite los zócalos o molduras de la parte posterior de la abertura. Vea "Medidas del producto" y "Medidas de la abertura (ambos estilos)" más adelante en esta sección.
- No se recomienda instalar los cajones refrigerados cerca de un horno, radiador u otra fuente de calor.
- No instale en un lugar donde la temperatura puede ser menor de 55°F (13°C).

Medidas de la abertura (ambos estilos)

- Las medidas de altura indicadas consideran las patas niveladoras extendidas a una altura mínima de ¼" (6,35 mm) por debajo de los cajones refrigerados.

NOTA: Si las patas niveladoras están totalmente extendidas 1" (25 mm) por debajo de los cajones refrigerados, agregue ¾" (19,05 mm) a las medidas de altura. Vea "Medidas del producto".

- Si el piso de la abertura no está nivelado con el piso de la cocina, ponga calzas en la abertura para que quede nivelado con el piso de la cocina.



Requisitos eléctricos

⚠ ADVERTENCIA



Peligro de Choque Eléctrico

Conecte a un contacto de pared de conexión a tierra de 3 terminales.

No quite la terminal de conexión a tierra.

No use un adaptador.

No use un cable eléctrico de extensión.

No seguir estas instrucciones puede ocasionar la muerte, incendio o choque eléctrico.

Antes de mover los cajones refrigerados a su ubicación final, es importante asegurarse que tiene la conexión eléctrica adecuada.

Método de conexión a tierra recomendado

Se requiere una fuente de energía eléctrica de 115 Voltios, 60 Hz., CA solamente y con fusibles de 15 ó 20 amperios, conectada a tierra. Se recomienda que use un circuito separado sólo para sus cajones refrigerados. Use un tomacorriente que no se pueda apagar con un interruptor. No use un cable eléctrico de extensión.

IMPORTANTE: Si este producto está conectado a un tomacorriente protegido por GFCI (Ground Fault Circuit Interrupter- Interruptor de circuito de falla eléctrica de puesta a tierra), puede ocurrir un disparo molesto del suministro de energía, lo que resultará en la pérdida de enfriamiento. Esto puede afectar la calidad y el sabor de los alimentos. Si ha ocurrido un disparo molesto, y el alimento aparenta estar en malas condiciones, deshágase del mismo.

INSTRUCCIONES DE INSTALACIÓN

Cómo desempacar los cajones refrigerados

⚠ ADVERTENCIA

Peligro de Peso Excesivo

Use dos o más personas para mover e instalar el(los) cajón(cajones) refrigerado(s).

No seguir esta instrucción puede ocasionar una lesión en la espalda u otro tipo de lesiones.

Cómo quitar los materiales de empaque

Descarte apropiadamente los materiales de empaque. No use instrumentos filosos, alcohol para fricciones, líquidos inflamables o productos de limpieza abrasivos para eliminar los restos de cinta o goma. Estos productos pueden dañar la superficie de sus cajones refrigerados.

Quite las correderas

IMPORTANTE:

- Coloque siempre el aparato de costado durante la remoción de las correderas.
 - Nunca coloque el aparato boca arriba. Esto puede dañar el compresor.
 - Deje el aparato asentarse sobre sus rodillos por 4 horas antes de enchufarlo a un tomacorriente.
1. Con la ayuda de 2 o más personas, voltee el aparato de costado.
 2. Use un destornillador T30 TORX® para sacar las correderas de la parte inferior del aparato. Deshágase de los pernos de fijación.
 3. Con la ayuda de 2 o más personas, ponga el aparato de pie sobre sus rodillos.

Cuando mueva sus cajones refrigerados:

Sus cajones refrigerados son muy pesados. Cuando mueva el electrodoméstico para darle servicio, proteja el piso. Al mover el electrodoméstico, siempre tire directamente hacia afuera. No menea el electrodoméstico de lado a lado ni lo haga "caminar" cuando lo trate de mover ya que podría dañar el piso.

Limpeza antes del uso

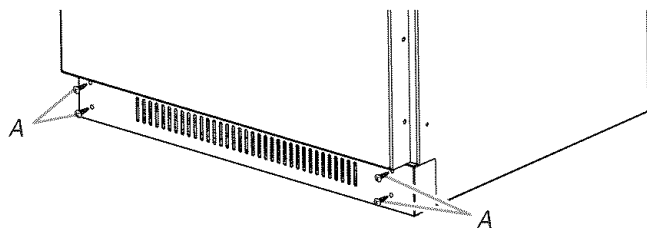
Una vez que usted haya quitado todos los materiales de empaque, limpie el interior de sus cajones refrigerados antes de usarlos. Vea las instrucciones de limpieza en el Manual de uso y cuidado.

Cómo quitar la rejilla de la base

IMPORTANTE: Deberá sacar la rejilla de la base para bajar las patas niveladoras. Asegúrese de reinstalar la rejilla de la base cuando se haya terminado la instalación.

1. Quite los cuatro tornillos ubicados en la rejilla de la base utilizando un destornillador Phillips, como se muestra.

NOTA: No descarte los tornillos.



A. Tornillos

2. Coloque la rejilla de la base sobre una superficie de trabajo blanda y limpia para utilizarla más adelante.

Estilo 2: Instalación de los paneles de los cajones recubiertos a la medida

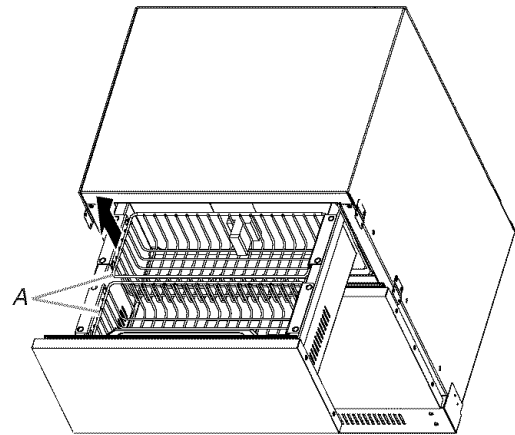
Si tiene el estilo 1: Cajones refrigerados estándar, saltee este paso. Siga a "Cómo fijar los soportes de montaje a los gabinetes adyacentes" para continuar la instalación.

IMPORTANTE:

- Cree paneles recubiertos a la medida de acuerdo con las especificaciones en la sección "Estilo 2: Paneles de los cajones recubiertos a la medida".
- Jenn-Air no es responsable de la remoción o adición de molduras o paneles decorativos que pudieran impedir el acceso a los cajones refrigerados para darle servicio.

Cómo quitar las canastillas de alambre

1. Abra el cajón lo máximo posible y quite todos los artículos de las canastillas de alambre.
2. Tire de las canastillas de alambre hasta su máxima extensión y levántelas para sacarlas.



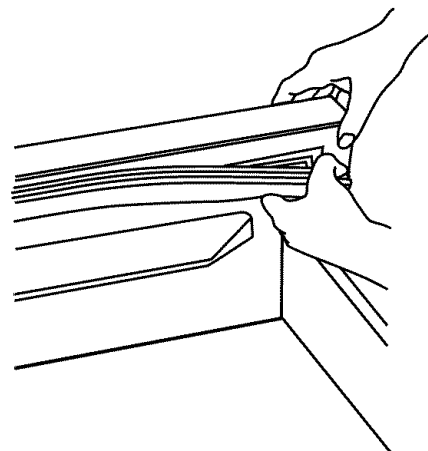
A. Canastillas de alambre

3. Repita el procedimiento con el otro cajón.

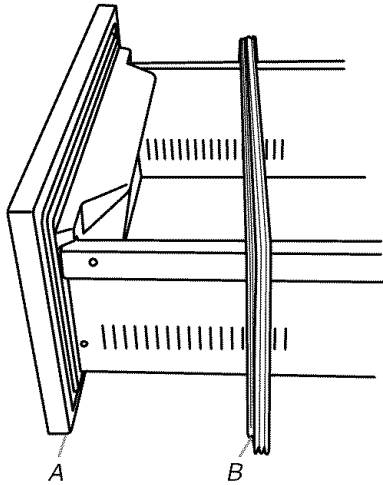
Cómo quitar las empaquetaduras

IMPORTANTE: Las empaquetaduras tienen fuertes bandas magnéticas. Siga estas instrucciones y mantenga los tornillos y otras partes sueltas de metal alejados de las empaquetaduras para evitar dañarlas.

1. Comience en el extremo superior derecho. Lentamente jale la empaquetadura fuera de la esquina y continúe trabajando lentamente hacia el lado opuesto, como se muestra.



2. Siga lentamente de una esquina a la otra hasta que la empaquetadura se despegue completamente de la ranura.
3. Suavemente empuje la empaquetadura hacia la parte posterior del cajón. Asegúrese de mantener todos los tornillos y las partes sueltas de metal alejados de la empaquetadura magnética, como se muestra.



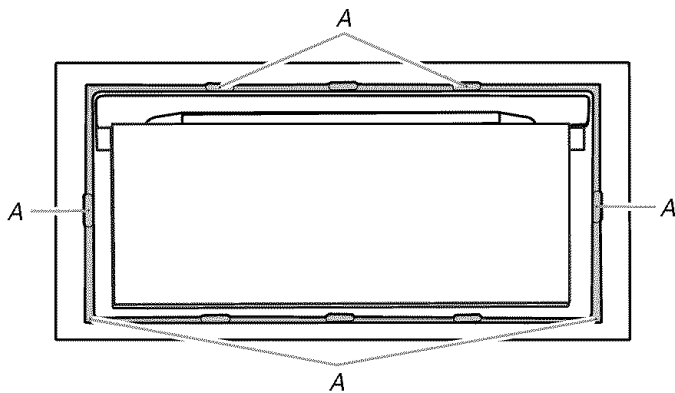
A. Frente del cajón
B. Empaquetadura

4. Repita el procedimiento con la otra empaquetadura.

Instalación de los paneles recubiertos a la medida

IMPORTANTE:

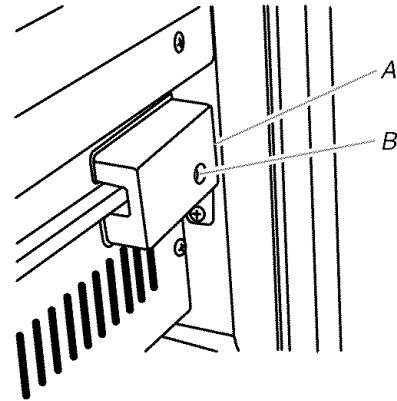
- Antes de instalar los paneles recubiertos a la medida asegúrese de instalar los artículos de ferretería a la medida. Vea "Instalación de artículos de ferretería (opcional)".
 - Asegúrese de mantener un espacio de $\frac{3}{8}$ " (9,52 mm) entre el panel recubierto (cajón superior) y la parte inferior del gabinete de la cocina.
1. Con un destornillador Phillips o una punta de trazar, quite toda la espuma residual de los orificios piloto perforados previamente.



A. Orificios piloto perforados previamente

2. Saque la cubierta del enchufe de cableado para el cajón superior con un destornillador Phillips, como se muestra. No descarte el tornillo ni la cubierta. Déjelos a un lado para usarlos más adelante.

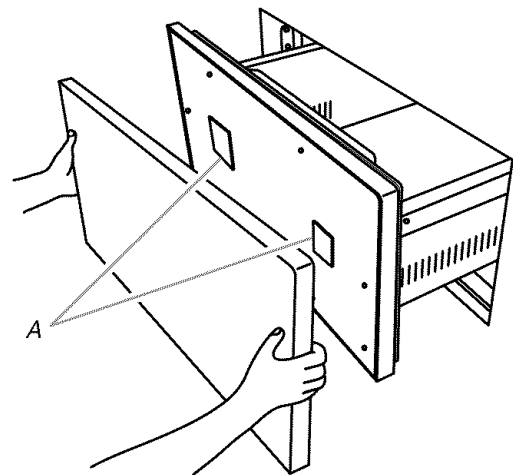
NOTA: Si quita la cubierta del enchufe de cableado, le facilitará el acceso al taladrar y fijar el frente del cajón al panel recubierto. Asegúrese de volver a colocar la cubierta del enchufe de cableado cuando esté completa la instalación.



A. Cubierta del enchufe de cableado
B. Tornillo

3. Quite el reverso de la cinta adhesiva con goma en los dos lados. Instale el panel recubierto en el frente del cajón. Asegúrese de alinear todos los bordes del frente del cajón con el panel recubierto. Cerciérese de que el panel recubierto esté nivelado.

NOTA: La cinta asegurará el panel en su lugar mientras taladra los orificios piloto.



A. Cinta adhesiva con goma en los dos lados

4. Usando los orificios taladrados previamente en el frente del cajón como guía, marque con una punta de trazar donde deberá taladrar en el panel recubierto. Taladre seis orificios de $\frac{1}{8}$ " de diámetro x $\frac{1}{2}$ " de profundidad (3,18 mm x 12,7 mm) en el panel recubierto.

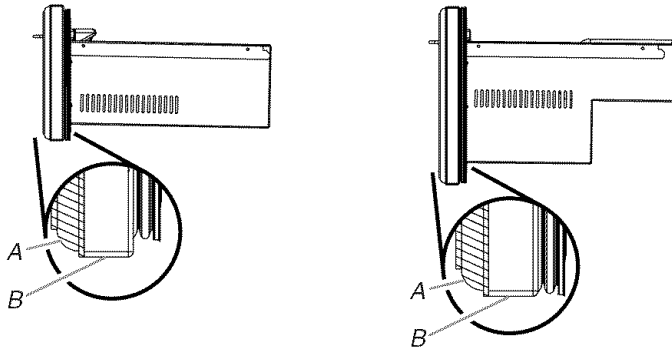
IMPORTANTE: No taladre más de $\frac{1}{2}$ " (12,7 mm) de profundidad.

5. Atornille seis tornillos de cabeza de cono achatado #8 x $\frac{1}{2}$ " a través del frente del cajón dentro del panel recubierto.

6. Asegúrese de que los paneles recubiertos estén alineados con la parte inferior del frente de los cajones.

Cajón superior

Cajón inferior



A. Panel recubierto
B. Frente del cajón

7. Repita el procedimiento con el otro frente del cajón.
8. Vuelva a instalar la cubierta del enchufe de cableado (en el cajón superior) con un destornillador Phillips.

Volver a instalar las empaquetaduras

1. Ejercer presión sobre la empaquetadura para ubicarla nuevamente en la ranura comenzando en las esquinas para seguir hacia la esquina opuesta. Asegúrese de que la empaquetadura quede ubicada en los cuatro lados.
2. Repita el procedimiento con el otro cajón.

Instale las canastillas de alambre

Vuelva a instalar las canastillas de alambre. Vea “Cómo quitar las canastillas de alambre” anteriormente en esta sección.

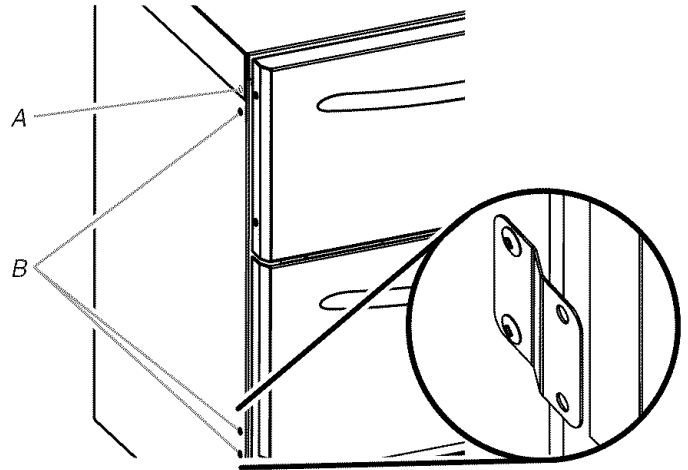
Cómo instalar los soportes de montaje

IMPORTANTE:

- Instale dos soportes de montaje (superior e inferior) a ambos lados del gabinete de los cajones refrigerados. Los soportes de montaje fijan el electrodoméstico a los gabinetes adyacentes.
- Para evitar que el aparato se salga de la abertura cuando se abran los cajones, asegúrese de fijar los soportes de montaje a los gabinetes adyacentes.
- El soporte de montaje tiene un rebajo. Asegúrese cuando instale los soportes de montaje de ubicar el rebajo contra los gabinetes adyacentes.

1. Comience la instalación (a cada lado) en los orificios perforados previamente para los soportes de montaje superiores.

NOTA: La cinta aisladora cubre los orificios superiores taladrados previamente para los soportes de montaje superior. No quite la cinta aisladora cuando instale los soportes de montaje superiores.



A. El orificio superior perforado previamente se encuentra debajo de la cinta aisladora
B. Orificios perforados previamente

2. Con un destornillador Phillips y un tornillo de cabeza de cono achatado #8 x 1/2", enrosque el tornillo a través del orificio inferior del soporte de montaje superior dentro del orificio taladrado previamente. Apriete el tornillo.
3. Empuje un tornillo de cabeza de cono achatado a través de la cinta aisladora y dentro del orificio taladrado previamente. Apriete el tornillo.
4. Con un destornillador Phillips y dos tornillos de cabeza de cono achatado #8 x 1/2", enrosque los tornillos a través de los orificios en el soporte de montaje inferior en los orificios taladrados previamente. Apriete los tornillos.
5. Repita el procedimiento para el otro lado.
6. Aparte los ocho tornillos de cabeza de cono achatado #8 x 1/2" que restan para usarlos más adelante. Vea “Cómo fijar los soportes de montaje a los gabinetes adyacentes”.

Mueva los cajones refrigerados a su posición final

IMPORTANTE:

- Antes de mover el refrigerador y para evitar daños al piso, asegúrese que las patas niveladoras están levantadas (no están tocando el piso) y que el peso del electrodoméstico se encuentra sobre los rodillos.
 - Los rodillos se usan para mover los cajones refrigerados y no para un soporte permanente.
1. Coloque la parte superior del empaque de cartón o madera contrachapada debajo del electrodoméstico. Quite la plataforma rodante.
 2. No quite la película o cubierta de protección.

⚠ ADVERTENCIA



Peligro de Choque Eléctrico

Conecte a un contacto de pared de conexión a tierra de 3 terminales.

No quite la terminal de conexión a tierra.

No use un adaptador.

No use un cable eléctrico de extensión.

No seguir estas instrucciones puede ocasionar la muerte, incendio o choque eléctrico.

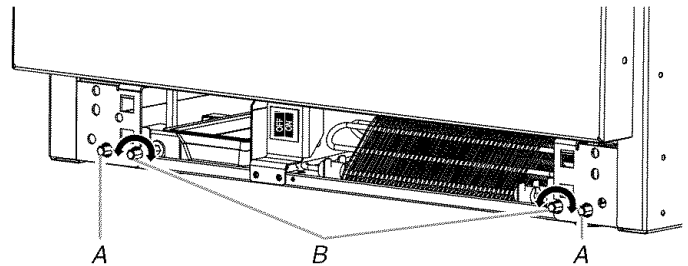
3. Conecte a un contacto de pared de conexión a tierra de 3 terminales.
4. Empuje los cajones refrigerados directamente hacia atrás y en forma pareja hacia el frente de la abertura.

Cómo bajar las patas niveladoras

IMPORTANTE:

- Las cuatro patas niveladoras deberán hacer contacto con el piso para soportar y estabilizar el peso total de los cajones refrigerados.
- Los rodillos se usan para mover los cajones refrigerados y no para un soporte permanente.
- Para evitar daños al gabinete/mostrador, limite el torque aplicado a las patas niveladoras a no más de 50 pulg – lbs (58 cm – kg).
- Asegúrese al nivelar las patas de que el espacio entre el cajón superior y el borde inferior del mostrador tenga un mínimo de $\frac{3}{8}$ " (9,5 mm).
- Estilo 2: Recubierto - Asegúrese de instalar los paneles para los cajones recubiertos a la medida antes de nivelar los cajones refrigerados. Vea "Estilo 2 - Instalación de los paneles de los cajones recubiertos a la medida".

1. Utilizando una llave de cubo de $\frac{5}{16}$ " (y una extensión si fuera necesario), gire a la derecha (sentido de las manecillas del reloj) los pernos niveladores en ambos lados de los cajones refrigerados, hasta que las patas niveladoras soporten el peso de los cajones refrigerados.



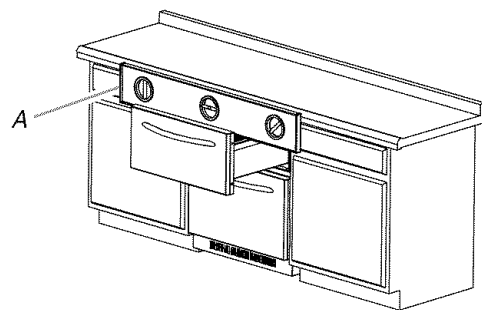
A. Perno nivelador trasero
B. Perno nivelador frontal

2. Baje las cuatro patas niveladoras juntas hasta que los cajones refrigerados tengan la altura adecuada.

Nivelación de los cajones refrigerados

IMPORTANTE:

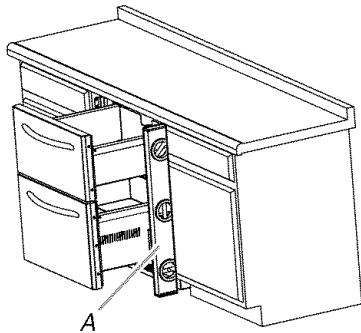
- Estilo 2 - Recubierto: Asegúrese de instalar los paneles para cajón recubierto a la medida antes de nivelar los cajones refrigerados para el modelo recubierto. Vea "Estilo 2 - Instalación de los paneles de los cajones recubiertos a la medida".
 - Asegúrese de que el mostrador esté nivelado antes de instalar los cajones refrigerados.
 - Si el mostrador no está nivelado, ajuste el frente y los pernos niveladores traseros de los cajones refrigerados hasta que el aparato esté alineado con el mostrador. Asegúrese de mantener un espacio mínimo de $\frac{3}{8}$ " (9,5 mm) entre la parte superior y el mostrador.
1. Abra el cajón superior y ubique el nivel a lo ancho del cajón como se muestra. Verifique que esté nivelado de izquierda a derecha.



A. Verifique que esté nivelado de izquierda a derecha.

2. Utilizando los pernos niveladores frontales y traseros, ajuste el gabinete de los cajones refrigerados hasta que el cajón superior esté nivelado de izquierda a derecha. Vea "Cómo bajar las patas niveladoras".
NOTA: Al ajustar juntos los pernos niveladores frontales y traseros, el lado del gabinete de los cajones refrigerados va a subir o bajar.
3. Quite el nivel y cierre el cajón superior. Verifique el espacio entre la parte superior del cajón y el mostrador. Si el espacio mide menos del mínimo de $\frac{3}{8}$ " (9,5 mm), gire los cuatro pernos niveladores hacia la izquierda en forma pareja para subir las patas niveladoras (esto bajará el aparato). Verifique el nivel nuevamente.

- Abra ambos cajones menos de la mitad. Coloque el nivel en el reborde lateral al lado de los cajones, como se muestra. Gire juntos los pernos niveladores frontales para poder elevar o bajar el aparato hasta que los lados de los cajones refrigerados estén a plomo.



A. Verifique que esté nivelado de adelante hacia atrás.

- Quite el nivel y cierre los cajones. Vuelva a verificar el espacio entre la parte superior del cajón y el mostrador. Si el espacio mide menos de $\frac{3}{8}$ " (9,5 mm), gire los cuatro pernos niveladores en forma pareja para subir las patas niveladoras (esto bajará el aparato). Verifique el nivel nuevamente.

NOTA: Asegúrese de volver a revisar la nivelación horizontal del cajón superior.

- Verifique que los cuatro pernos niveladores están sobre el piso y que sostienen todo el peso de los cajones refrigerados.

Cómo fijar los soportes de montaje a los gabinetes adyacentes

IMPORTANTE: Para evitar dañar los gabinetes o el mostrador, asegúrese de fijar los soportes de montaje a los gabinetes adyacentes.

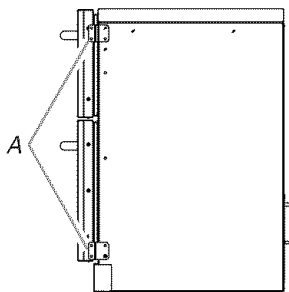
- Centre el gabinete de los cajones refrigerados en la abertura.
- Jale el cajón superior hacia afuera lo suficiente para poder alcanzar los soportes de montaje.

NOTA: No jale el cajón hacia afuera a más de la mitad de su recorrido.

- Usando los soportes de montaje superiores como guía, perforo previamente dos orificios de $\frac{1}{8}$ " (3,18 mm) a través de los soportes de montaje (para cada lado) en los gabinetes adyacentes. Asegúrese de taladrar por lo menos dos orificios por soporte.

NOTA: Asegúrese de que los cajones refrigerados estén nivelados antes de asegurar los soportes de montaje superiores.

- Usando cuatro tornillos de cabeza de cono achatado #8 x $\frac{1}{2}$ ", fije los soportes de montaje superiores a los gabinetes adyacentes.

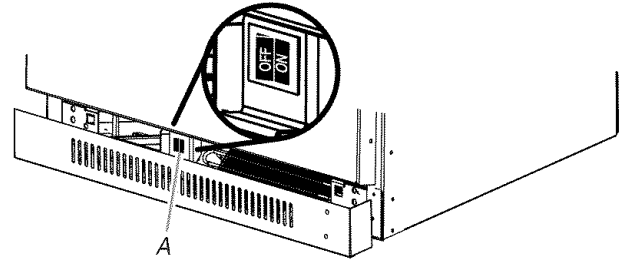


A. Soportes de montaje

- Repita el procedimiento con el cajón inferior.

Cómo reinstalar la rejilla de la base

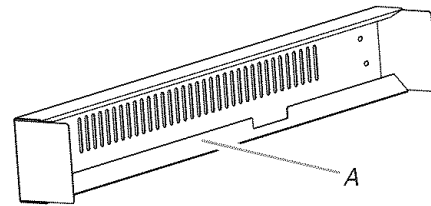
- Asegúrese que el interruptor On/Off esté encendido.



A. Interruptor de encendido On/Off (ENCENDIDO)

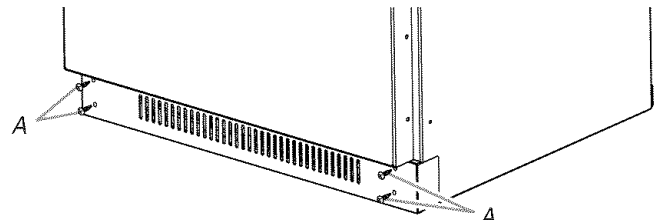
- Vuelva a instalar la rejilla de la base.

NOTA: El lado inferior de la rejilla de la base tiene una muesca y un reborde más ancho que la parte superior.



A. Reborde inferior

- Atornille los cuatro tornillos a la rejilla de la base utilizando un destornillador Phillips, como se muestra. Apriete todos los tornillos.



A. Tornillos

Complete la instalación

- Quite todas las cajas, paquetes de piezas y materiales de empaque del interior de los cajones refrigerados.
- Quite la película de protección.
- Limpie los cajones refrigerados antes de usar. Vea la sección "Limpieza" en el Manual de uso y cuidado, para las instrucciones.
- Los controles están programados de fábrica en el ajuste prefijado de 38°F (3°C) para los cajones superior e inferior. Verifique que el compresor está funcionando correctamente y que todas las luces funcionan.
- Vuelva a instalar las canastillas de alambre en los cajones refrigerados. Puede instalar ambas canastillas de alambre en el cajón superior o instalar una canastilla de alambre en el cajón superior y la otra en el cajón inferior.
- Si se sigue construyendo después de haber instalado los cajones refrigerados, apague ambos cajones. Vea "Uso de los controles" en el Manual de uso y cuidado, para las instrucciones.

Para obtener el uso más eficiente de sus nuevos cajones refrigerados, lea el Manual de uso y cuidado. Conserve a la mano las Instrucciones de instalación y el Manual de uso y cuidado de los cajones refrigerados para una consulta fácil.

SÉCURITÉ DES TIROIRS RÉFRIGÉRÉS

Votre sécurité et celle des autres est très importante.

Nous donnons de nombreux messages de sécurité importants dans ce manuel et sur votre appareil ménager. Assurez-vous de toujours lire tous les messages de sécurité et de vous y conformer.



Voici le symbole d'alerte de sécurité.

Ce symbole d'alerte de sécurité vous signale les dangers potentiels de décès et de blessures graves à vous et à d'autres.

Tous les messages de sécurité suivront le symbole d'alerte de sécurité et le mot "DANGER" ou "AVERTISSEMENT". Ces mots signifient :

⚠ DANGER

Risque possible de décès ou de blessure grave si vous ne suivez pas immédiatement les instructions.

⚠ AVERTISSEMENT

Risque possible de décès ou de blessure grave si vous ne suivez pas les instructions.

Tous les messages de sécurité vous diront quel est le danger potentiel et vous disent comment réduire le risque de blessure et ce qui peut se produire en cas de non-respect des instructions.

Mise au rebut correcte de votre vieil appareil réfrigéré

⚠ AVERTISSEMENT

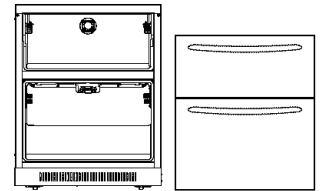
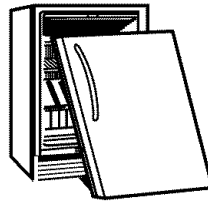
Risque de suffoquer

Ôter la porte ou le(s) tiroir(s) de votre vieil appareil réfrigéré.

Le non-respect de cette instruction peut causer un décès ou des lésions cérébrales.

Avant de jeter votre vieil appareil réfrigéré :

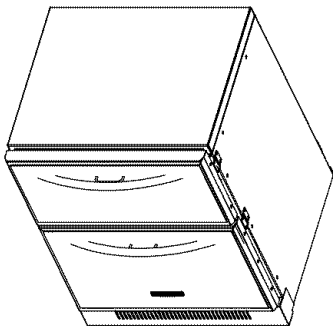
Enlever la porte ou le(s) tiroir(s).



IMPORTANT : L'emprisonnement et l'étouffement des enfants ne sont pas un problème du passé. Les vieux appareils réfrigérés jetés ou abandonnés sont encore dangereux, même s'ils sont laissés abandonnés pendant "quelques jours seulement". Si vous vous débarrassez de votre vieil appareil réfrigéré, veuillez suivre les instructions suivantes pour aider à éviter les accidents.

SPÉCIFICATIONS DU DESIGN

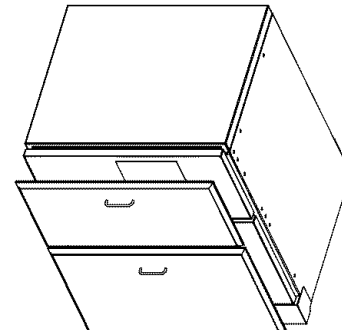
Modèles - Tiroirs réfrigérés



Style 1 : Standard

Se caractérise par un style enveloppant qui complète les poignées de porte galbées. Ce style procure des tiroirs réfrigérés encastrés d'apparence commerciale.

JUD278DBES00



Style 2 : Décoratif

Se caractérise par des garnitures d'origine de style décoratif procurant un aspect "sans cadre". Ce style nécessite l'installation de panneaux et poignées personnalisés.

JUD278DBCX00

INSTRUCTIONS D'INSTALLATION

Outils et pièces

OUTILLAGE NÉCESSAIRE :

Rassembler les outils et pièces nécessaires avant de commencer l'installation.

Lire et suivre les instructions fournies avec les outils mentionnés ici.

- Perceuse manuelle ou électrique (convenablement reliée à la terre)
- Foret de 1/8"
- Clé à douille de 5/16"
- Extension pour clé à douille de 6" (option)
- Mètre ruban
- Niveau
- Tournevis Phillips
- Tournevis T30 TORX†

Outils additionnels nécessaires pour Style 2 : Décoratif (seulement) :

- Ciseaux
- Crayon
- Pointe à tracer

PIÈCES NÉCESSAIRES Style 2 : Décoratif (seulement) :

- Panneaux décoratifs de tiroir personnalisés — Voir "Style 2 : Panneaux décoratifs de tiroir personnalisés".
- Quincaillerie
- Vis à tête bombée n° 8 x 1/2" (12) - option

PIÈCES FOURNIES :

- Vis à tête bombée n° 8 x 1/2" (16)
- Ruban adhésif double face
- Brides de montage (4)

Style 2 : Panneaux décoratifs de tiroirs personnalisés

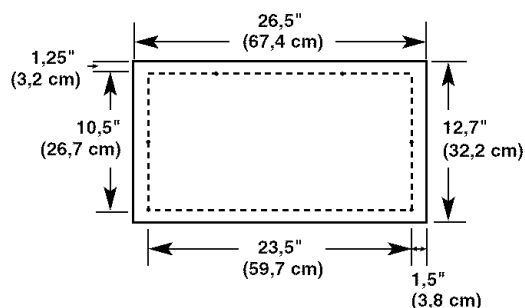
Si vous prévoyez installer des panneaux personnalisés en bois, vous devrez les créer vous-même ou consulter un ébéniste ou menuisier qualifié. Voir le dessin des dimensions pour les spécifications des panneaux.

IMPORTANT :

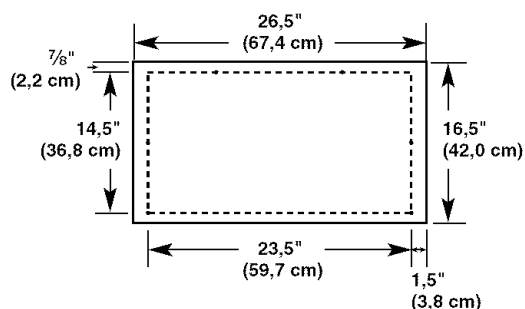
- L'épaisseur du panneau décoratif doit être de 3/4" (19,05 mm).
- Pour éviter tout dommage aux tiroirs, le poids de chaque panneau décoratif ne doit pas dépasser 10 lb (4,5 kg).
- Respecter les dimensions indiquées pour la hauteur des panneaux décoratifs. Si la dimension de la hauteur est supérieure à la valeur recommandée, les tiroirs réfrigérés, les placards et/ou le plan de travail pourraient subir des dommages.

- La largeur du panneau décoratif peut varier en fonction de la largeur de l'espace d'installation de la caisse.

Dimensions du panneau décoratif du tiroir supérieur



Dimensions du panneau décoratif du tiroir inférieur



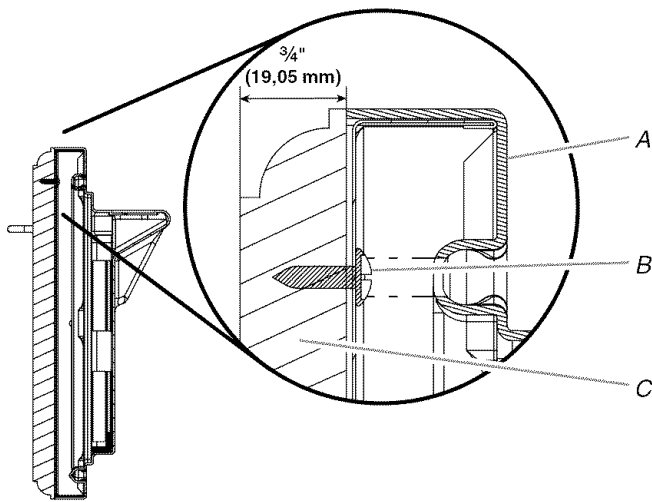
Panneaux plats

On peut réaliser un panneau plat personnalisé d'épaisseur inférieure à 3/4" (19,05 mm); dans ce cas, on doit lamifier le panneau sur une plaque de 3/4" (19,05 mm) de contreplaqué ou aggloméré de densité moyenne.

Panneaux à relief

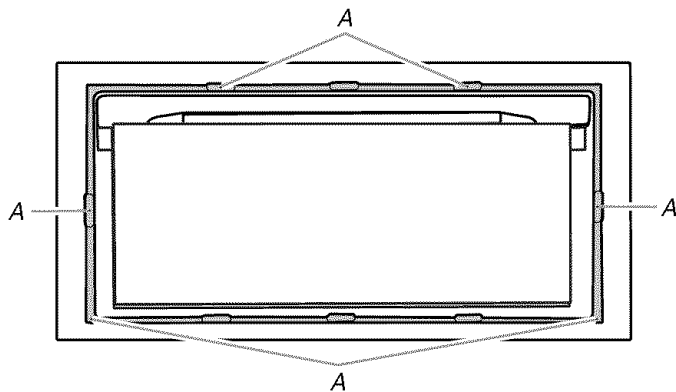
On peut réaliser un panneau personnalisé à relief. Veiller à maintenir l'épaisseur de 3/4" (19,05 mm) à l'endroit où le panneau décoratif se fixe sur la façade de tiroir.

Fixation du panneau à relief



A. Façade du tiroir
B. Vis à tête bombée n° 8 x 1/2"
C. Panneau décoratif

Emplacements des vis à tête bombée n° 8 x 1/2" de la façade de tiroir



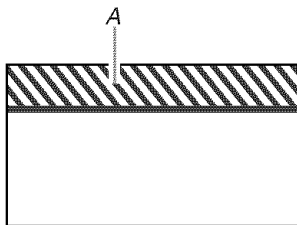
A. Emplacements prépercés des vis de montage

Installation de la quincaillerie (facultatif)

On peut installer à ce point les poignées fournies par le client (quincaillerie).

1. Relever les mesures et tracer une ligne à 3" (7,62 cm) du haut du panneau décoratif – voir l'illustration.

IMPORTANT : Installer la quincaillerie à un minimum de 3" (7,62 cm) à partir du haut du panneau décoratif. L'espace au sommet du panneau est nécessaire afin de fixer le panneau décoratif à la façade du tiroir.



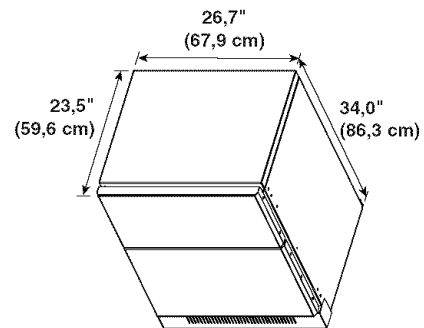
A. Zone de 3" (7,62 cm)

2. Centrer la quincaillerie correspondante (de gauche à droite) sur le panneau personnalisé. Lors de l'installation des pièces de quincaillerie, veiller à ce que les vis de fixation soient en affleurement avec l'arrière des panneaux personnalisés.
3. Répéter le procédé pour l'autre panneau personnalisé.

Dimensions du produit

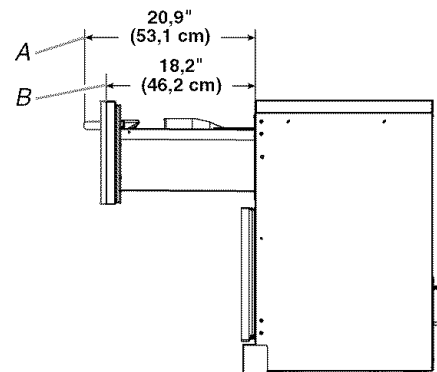
Styles 1 et 2 : Standard et décoratif

- Les dimensions de hauteur sont illustrées avec les pieds de nivellement déployés à la hauteur minimum de 1/4" (6,35 mm) sous les tiroirs réfrigérés.
- Lorsque les pieds de nivellement sont totalement déployés de 1" (25 mm) sous les tiroirs réfrigérés, ajouter 3/4" (19,05 mm) à la hauteur totale.
- La longueur du cordon d'alimentation est de 60" (152,4 cm).



Dimensions avec tiroir ouvert

Les dimensions varient en fonction du modèle - voir l'illustration.



A. Style 1 : Standard

B. Style 2 : Décoratif - Les mesures n'incluent pas la dimension du panneau personnalisé de 3/4" (19,05 mm) ou la quincaillerie facultative

Exigences d'emplacement

⚠ AVERTISSEMENT



Risque d'explosion

Garder les matières et les vapeurs inflammables, telle que l'essence, loin du/des tiroir(s) réfrigéré(s).

Le non-respect de cette instruction peut causer un décès, une explosion ou un incendie.

REMARQUES :

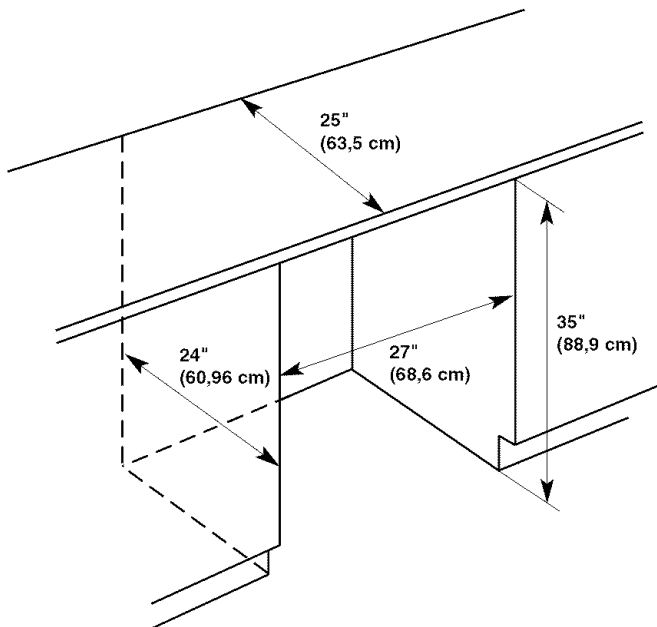
- Lorsqu'on souhaite placer les tiroirs réfrigérés en affleurement avec la façade des placards inférieurs, enlever toutes les moulures et plinthes à l'arrière de l'ouverture. Voir "Dimensions du produit" et "Dimensions de l'ouverture (pour les deux styles)" plus loin dans cette section.
- On recommande de ne pas installer les tiroirs réfrigérés près d'un four, d'un radiateur ou de toute autre source de chaleur.
- Ne pas installer les tiroirs réfrigérés en un endroit où la température pourrait descendre en-dessous de 55°F (13°C).

Dimensions de l'ouverture (pour les deux styles)

- Les dimensions de hauteur sont illustrées avec les pieds de nivellement déployés à la hauteur minimum de 1/4" (6,35 mm) sous les tiroirs réfrigérés.

REMARQUE : Lorsque les pieds de nivellement sont totalement déployés de 1" (25 mm) au-dessous des tiroirs réfrigérés, ajouter 3/4" (19,05 mm) à la hauteur totale. Voir "Dimensions du produit".

- Si le plancher de l'ouverture n'est pas au même niveau que le plancher de la cuisine, placer une cale dans l'ouverture pour qu'elle soit au même niveau que le plancher de la cuisine.



Spécifications électriques

⚠ AVERTISSEMENT



Risque de choc électrique

Brancher sur une prise à 3 alvéoles reliée à la terre.

Ne pas enlever la broche de liaison à la terre.

Ne pas utiliser un adaptateur.

Ne pas utiliser un câble de rallonge.

Le non-respect de ces instructions peut causer un décès, un incendie ou un choc électrique.

Avant de placer les tiroirs réfrigérés à leur emplacement final, il est important de vous assurer d'avoir la connexion électrique appropriée.

Méthode recommandée de mise à la terre

Une source d'alimentation de 115 volts, 60 Hz, type 15 ou 20 ampères CA seulement, protégée par fusible et adéquatement mise à la terre est nécessaire. On recommande que les tiroirs réfrigérés soient alimentés par un circuit indépendant. Utiliser une prise murale qui ne peut pas être mise hors circuit à l'aide d'un commutateur. Ne pas utiliser de câble de rallonge.

IMPORTANT : Si ce produit est connecté à une prise protégée par un disjoncteur de fuite à la terre, un déclenchement intempestif peut se produire et causer une perte de refroidissement. La qualité et la saveur des aliments risquent d'être affectées. Si un déclenchement intempestif se produit et si les aliments semblent de piètre qualité, jeter le tout.

INSTRUCTIONS D'INSTALLATION

Déballage des tiroirs réfrigérés

AVERTISSEMENT

Risque du poids excessif

Utiliser deux ou plus de personnes pour déplacer et installer le(s) tiroir(s) réfrigéré(s).

Le non-respect de cette instruction peut causer une blessure au dos ou d'autre blessure.

Enlèvement des matériaux d'emballage

Jeter le matériel d'emballage de manière appropriée. Ne pas utiliser d'instruments coupants, d'alcool à friction, de liquides inflammables ou de nettoyants abrasifs pour enlever le ruban adhésif ou la colle. Ces produits peuvent endommager la surface de vos tiroirs réfrigérés.

Enlèvement des patins

IMPORTANT :

- Toujours placer l'appareil sur son côté quand on enlève les patins.
 - Ne jamais placer l'appareil sur son sommet. Le compresseur risque d'être endommagé.
 - Laisser l'appareil reposer sur ses roulettes pendant 4 heures avant de le brancher dans une prise électrique.
1. À l'aide d'au moins deux personnes, placer l'appareil sur le côté.
 2. À l'aide d'un tournevis T30 TORX^{®†}, ôter les patins de la base de l'appareil. Jeter les boulons de fixation.
 3. À l'aide d'au moins deux personnes, tourner l'appareil debout sur ses roulettes.

Déplacement des tiroirs réfrigérés :

Vos tiroirs réfrigérés sont lourds. Lors du déplacement de l'appareil pour le service, veiller à protéger le plancher. Toujours tirer l'appareil tout droit lors du déplacement. Ne pas incliner l'appareil d'un côté ou de l'autre ni le "faire marcher" en essayant de le déplacer car le plancher pourrait être endommagé.

Nettoyage avant utilisation

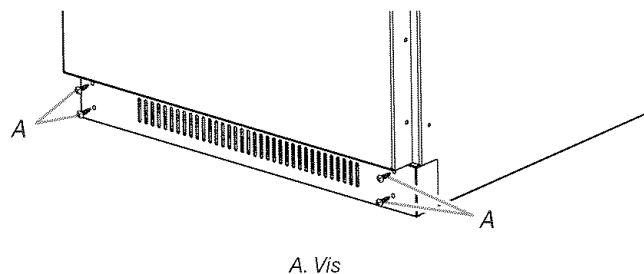
Après avoir enlevé tous les matériaux d'emballage, nettoyer l'intérieur des tiroirs réfrigérés avant de les utiliser. Voir les instructions de nettoyage dans le Guide d'utilisation et d'entretien.

Dépose de la grille de la base

IMPORTANT : Il est nécessaire de retirer la grille de la base afin de pouvoir déployer les pieds de nivellement. Veiller à réinstaller la grille de la base une fois l'installation terminée.

1. Avec un tournevis Phillips, ôter les quatre vis de la grille de la base - voir l'illustration.

REMARQUE : Ne pas jeter les vis.



2. Placer la grille de la base sur une surface protégée propre, pour réutilisation.

Style 2 : Installation des panneaux décoratifs de tiroir personnalisés

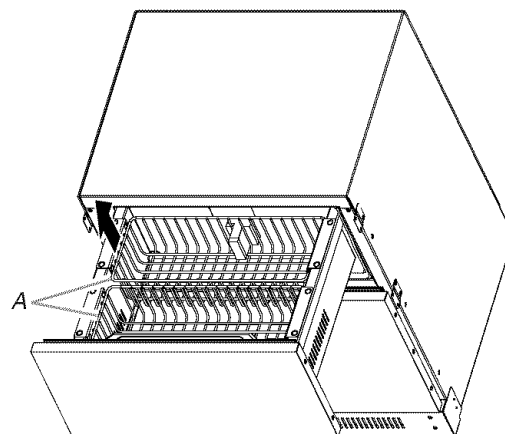
Pour les tiroirs réfrigérés standard (Style 1), poursuivre avec la section "Fixation des brides de montage sur les placards adjacents" pour la suite des instructions d'installation.

IMPORTANT :

- Réaliser les panneaux décoratifs de tiroir personnalisés conformément aux spécifications de la section "Style 2 : Panneaux décoratifs de tiroir personnalisés".
- Jenn-Air n'est pas responsable des opérations d'enlèvement et de réinstallation des moulures ou panneaux décoratifs qui entraveraient l'accès au tiroirs réfrigérés lors d'une intervention de réparation.

Dépose des paniers métalliques

1. Ouvrir le tiroir jusqu'à complète extension et enlever tous les articles des paniers métalliques.
2. Tirer les paniers métalliques jusqu'à complète extension et soulever pour les retirer.



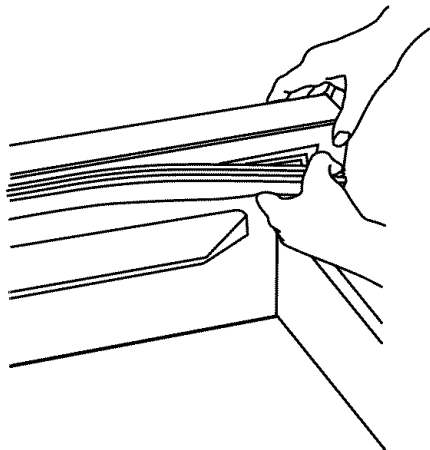
3. Répéter le processus pour l'autre tiroir.

†TORX est une marque déposée de Textron Innovations Inc.

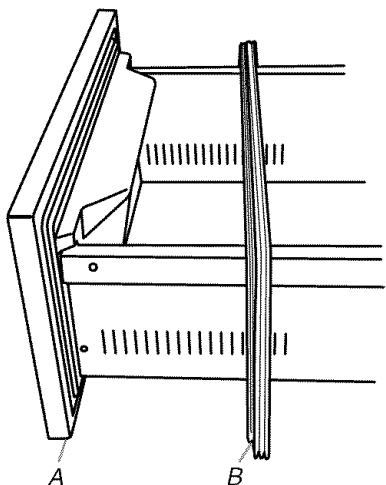
Dépose des joints

IMPORTANT : Les joints contiennent des bandes magnétiques résistantes. Suivre ces instructions et maintenir les vis et autres pièces métalliques éloignées des joints afin d'empêcher des dommages sur les joints magnétiques.

1. Commencer par l'angle supérieur droit. Tirer lentement sur le joint pour le sortir du coin en progressant vers le côté opposé - voir l'illustration.



2. Procéder lentement d'un angle à l'autre jusqu'à ce que le joint soit complètement libéré de la rainure.
3. Pousser délicatement le joint vers l'arrière du tiroir. Veiller à conserver toutes les vis et autres pièces métalliques à distance du joint magnétique (voir illustration).



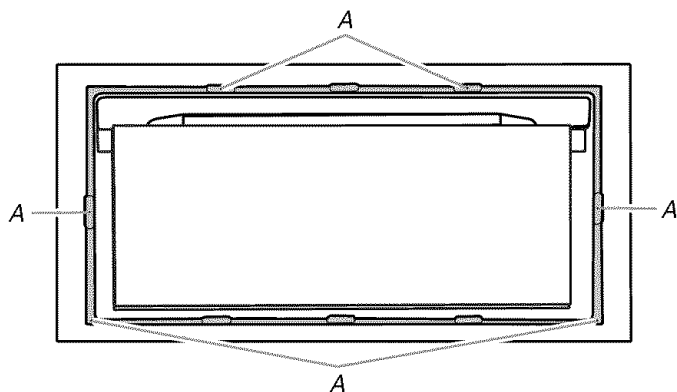
A. Façade du tiroir
B. Joint

4. Répéter le processus pour l'autre joint.

Installation des panneaux décoratifs personnalisés

IMPORTANT :

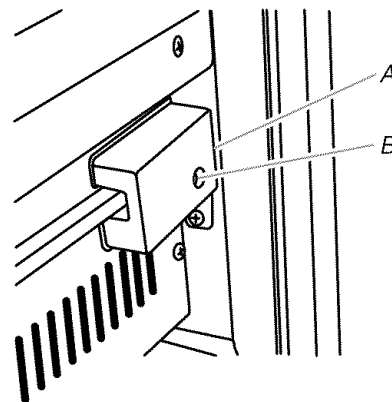
- Avant d'installer les panneaux décoratifs personnalisés, s'assurer d'installer l'ensemble des pièces de quincaillerie. Voir "Installation de la quincaillerie (facultatif)".
 - S'assurer de maintenir un espace de $\frac{3}{8}$ " (9,52 mm) entre le panneau décoratif (tiroir supérieur) et le bas du meuble de cuisine.
1. À l'aide d'un tournevis Phillips ou d'une pointe à tracer, ôter toute mousse résiduelle des avant-trous prépercés.



A. Avant-trous prépercés

2. À l'aide d'un tournevis Phillips, ôter le couvercle du câblage du tiroir supérieur - voir l'illustration. Ne pas jeter la vis ou le couvercle. Conserver les vis pour réutilisation.

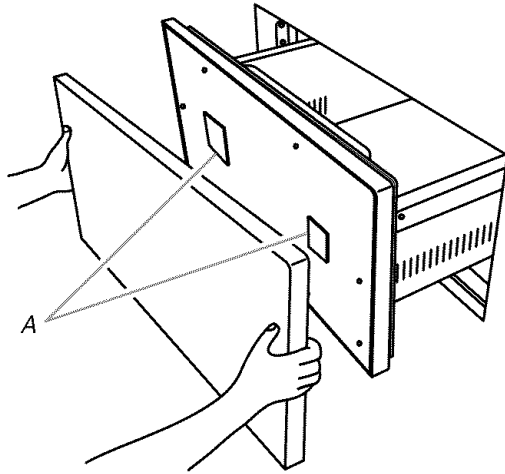
REMARQUE : Retirer le couvercle du câblage permettra un accès plus facile pour percer et fixer l'avant du tiroir au panneau décoratif. Veiller à réinstaller le couvercle du câblage une fois l'installation terminée.



A. Couvercle du câblage
B. Vis

- Retirer l'endos du ruban adhésif double face. Installer le panneau décoratif sur la façade du tiroir. Veiller à aligner tous les bords de la façade du tiroir avec le panneau décoratif. Vérifier que le panneau décoratif est d'aplomb.

REMARQUE : Le ruban adhésif immobilise le panneau en place pendant le perçage des avant-trous.



A. Ruban adhésif double face

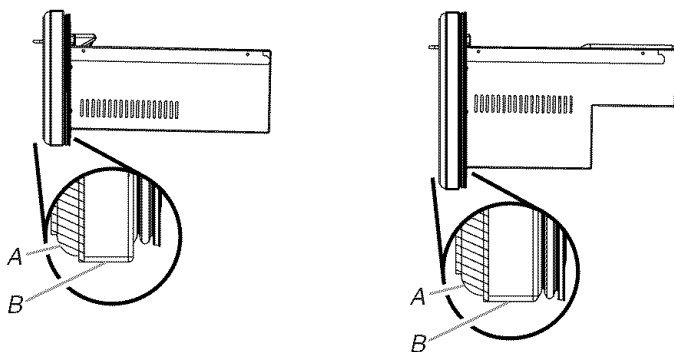
- En utilisant les trous prépercés de la façade du tiroir comme guides, utiliser une pointe à tracer pour marquer l'emplacement des trous sur le panneau décoratif. Percer six trous de $\frac{1}{8}$ " de diam. x $\frac{1}{2}$ " de profondeur (3,18 mm x 12,7 mm) dans le panneau décoratif.

IMPORTANT : Veiller à ne pas percer à une profondeur supérieure à $\frac{1}{2}$ " (12,7 mm).

- Visser six vis à tête bombée n° 8 x $\frac{1}{2}$ " à travers la façade du tiroir dans le panneau décoratif.
- Veiller à placer le panneau décoratif en affleurement avec la base de la façade du tiroir.

Tiroir supérieur

Tiroir inférieur



A. Panneau décoratif
B. Façade du tiroir

- Répéter le processus pour l'autre façade de tiroir.
- À l'aide d'un tournevis Phillips, réinstaller le couvercle du câblage (tiroir supérieur).

Réinstallation des joints

- Commencer dans un angle, et progresser vers l'angle opposé; insérer le joint dans la rainure. Veiller à ce que le joint soit parfaitement emboîté sur les quatre côtés.
- Répéter le processus pour l'autre tiroir.

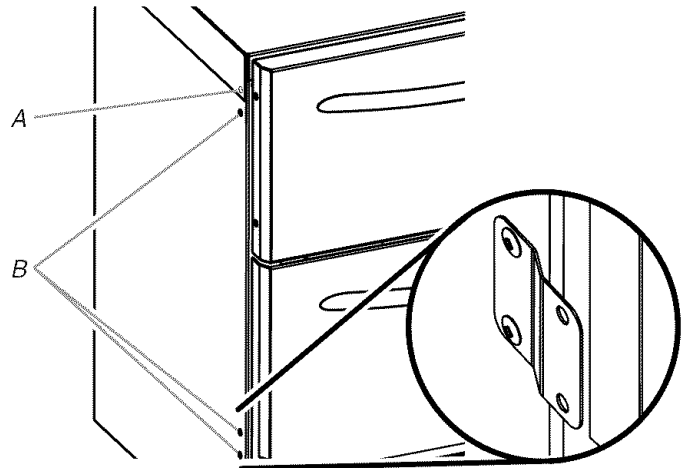
Installation des paniers métalliques

Réinstaller les paniers métalliques. Voir "Dépose des paniers métalliques", plus tôt dans cette section.

Installation des brides de montage

IMPORTANT :

- Installer deux brides de montage (supérieure et inférieure) sur les deux côtés de la caisse des tiroirs réfrigérés. Les brides de montage assujettissent l'appareil aux placards adjacents.
 - Pour éviter que l'appareil ne sorte de la cavité lors de l'ouverture des tiroirs, fixer les brides de montage aux placards adjacents.
 - La bride de montage comporte un décalage. Lors de l'installation des brides de montage, s'assurer de placer le décalage contre les placards adjacents.
- Commencer l'installation (de chaque côté) aux trous prépercés pour les brides de montage supérieures.
- REMARQUE :** Le ruban adhésif isolant recouvre les trous prépercés supérieurs pour les brides de montage supérieures. Ne pas retirer le ruban adhésif isolant lors de l'installation des brides de montage supérieures.



A. Le trou prépercé supérieur se trouve sous le ruban adhésif isolant
B. Trous prépercés

- À l'aide d'un tournevis Phillips et d'une vis à tête bombée n° 8 x $\frac{1}{2}$ ", visser la vis à travers le trou inférieur de la bride de montage supérieure et dans le trou prépercé. Serrer la vis.
- Enfoncer une vis à tête bombée à travers le ruban adhésif isolant et dans le trou prépercé. Serrer la vis.
- À l'aide d'un tournevis Phillips et de deux vis à tête bombée n° 8 x $\frac{1}{2}$ ", visser les vis à travers les trous dans la bride de montage inférieure et dans les trous prépercés. Serrer les vis.
- Répéter le procédé pour l'autre côté.
- Laisser de côté les huit vis à tête bombée n° 8 x $\frac{1}{2}$ " restantes pour utilisation ultérieure. Voir "Fixation des brides de montage aux placards adjacents".

Déplacement des tiroirs réfrigérés à leur emplacement final

IMPORTANT :

- Avant de déplacer l'appareil, pour éviter de détériorer le plancher, vérifier que les pieds de nivellement sont soulevés (pas de contact avec le sol) et que le poids des tiroirs réfrigérés repose sur les roulettes.
 - Les roulettes ne sont utilisées que pour le déplacement des tiroirs réfrigérés et non pas comme support permanent.
1. Placer le sommet de l'emballage (carton) ou une feuille de contreplaqué sous l'appareil. Enlever le chariot.
 2. Ne pas ôter le film de protection ou l'emballage.

⚠ AVERTISSEMENT



Risque de choc électrique

Brancher sur une prise à 3 alvéoles reliée à la terre.

Ne pas enlever la broche de liaison à la terre.

Ne pas utiliser un adaptateur.

Ne pas utiliser un câble de rallonge.

Le non-respect de ces instructions peut causer un décès, un incendie ou un choc électrique.

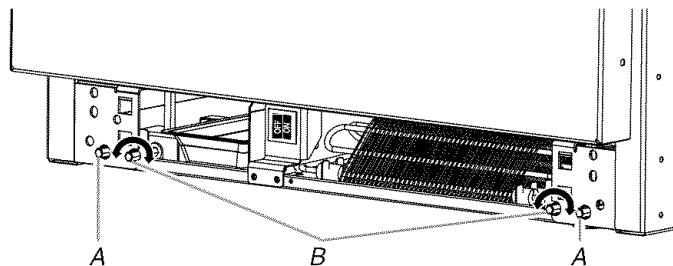
3. Brancher l'appareil sur une prise à 3 alvéoles reliée à la terre.
4. Pousser les tiroirs réfrigérés en ligne droite et uniformément devant l'espace d'installation.

Déploiement des pieds de nivellement

IMPORTANT :

- Les quatre pieds de nivellement doivent être en contact avec le plancher pour supporter et stabiliser le poids total des tiroirs réfrigérés.
- Les roulettes ne sont utilisées que pour le déplacement des tiroirs réfrigérés et non pas comme support permanent.
- Pour éviter d'endommager la caisse ou le plan de travail de l'appareil, ne pas exercer un couple de plus de 50 po - lb (58 cm - kg) sur les pieds de nivellement.
- Lors du réglage des pieds, veiller à ce que l'espace entre le tiroir supérieur et le bord inférieur du plan de travail soit de $\frac{3}{8}$ " (9,5 mm) minimum.
- Style 2 : Décoratif—S'assurer d'installer les panneaux décoratifs personnalisés sur les tiroirs avant d'ajuster l'aplomb des tiroirs réfrigérés. Voir "Style 2 : Installation des panneaux décoratifs de tiroir personnalisés".

1. Avec une clé à douille de $\frac{5}{16}$ " (avec extension si nécessaire), faire tourner les boulons de réglage de l'aplomb de part et d'autre des tiroirs réfrigérés vers la droite (sens horaire) jusqu'à ce que les pieds de nivellement supportent le poids des tiroirs réfrigérés.



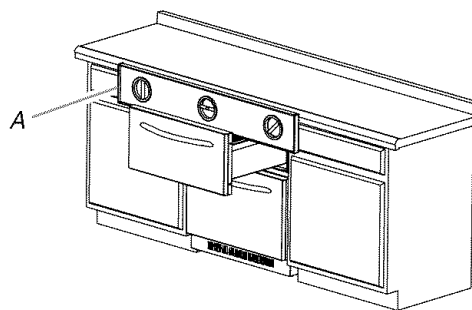
A. Boulon de réglage de l'aplomb - arrière
B. Boulon de réglage de l'aplomb - avant

2. Abaisser les quatre pieds de nivellement jusqu'à ce que les tiroirs réfrigérés soient à la hauteur adéquate.

Réglage de l'aplomb des tiroirs réfrigérés

IMPORTANT :

- Style 2-Décoratif : S'assurer d'installer les panneaux décoratifs de tiroir personnalisés avant de régler l'aplomb des tiroirs réfrigérés. Voir "Style 2 : Installation des panneaux décoratifs de tiroir personnalisés".
 - Vérifier que le plan de travail est d'aplomb avant d'installer les tiroirs réfrigérés.
 - Si le plan de travail n'est pas d'aplomb, ajuster les boulons de nivellement avant et arrière des tiroirs réfrigérés jusqu'à ce que l'appareil soit d'équerre avec le plan de travail. Veiller à conserver un espace minimum de $\frac{3}{8}$ " (9,5 mm) entre la partie supérieure du tiroir et le plan de travail.
1. Ouvrir le tiroir supérieur; placer un niveau en travers du tiroir supérieur - voir l'illustration. Déterminer s'il y a une inclinaison vers la droite ou vers la gauche.

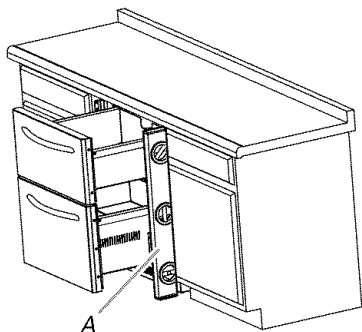


A. Contrôle de l'aplomb de l'appareil (gauche-droite)

- À l'aide des boulons de réglage de l'aplomb arrière et avant, ajuster la caisse des tiroirs réfrigérés jusqu'à l'obtention de l'aplomb de l'appareil (gauche-droite). Voir "Déploiement des pieds de nivellement".

REMARQUE : L'ajustement des boulons de réglage de l'aplomb avant et arrière abaissera ou soulèvera le côté de la caisse des tiroirs réfrigérés.

- Enlever le niveau et fermer le tiroir supérieur. Contrôler l'espace entre le sommet du tiroir et le plan de travail. Si l'espace mesure moins de $\frac{3}{8}$ " (9,5 mm), tourner uniformément les quatre boulons de réglage de l'aplomb vers la gauche pour relever les pieds de nivellement (ce qui abaissera l'appareil) et contrôler l'aplomb de nouveau.
- Ouvrir les deux tiroirs, de moins de 50 pour cent. Placer le niveau contre le bord latéral des tiroirs - voir l'illustration. Tourner les boulons de réglage de l'aplomb ensemble afin de relever ou d'abaisser l'appareil jusqu'à ce que les côtés des tiroirs réfrigérés soient d'aplomb.



A. Contrôle de l'aplomb (avant-arrière)

- Enlever le niveau et fermer les tiroirs. Contrôler de nouveau l'espace entre le sommet du tiroir et le plan de travail. Si l'espace mesure moins de $\frac{3}{8}$ " (9,5 mm), tourner uniformément les quatre boulons de réglage de l'aplomb pour relever les pieds de nivellement (ce qui abaissera l'appareil) et contrôler l'aplomb de nouveau.

REMARQUE : Ne pas oublier de contrôler de nouveau l'horizontalité du tiroir supérieur.

- Vérifier que les quatre pieds de nivellement reposent sur le sol et soutiennent tout le poids des tiroirs réfrigérés.

Fixation des brides de montage sur les placards adjacents

IMPORTANT : Pour éviter d'endommager les placards ou le plan de travail, veiller à fixer les brides de montage sur les placards adjacents.

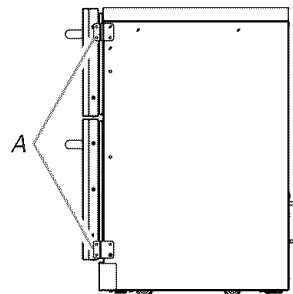
- Centrer la caisse des tiroirs réfrigérés dans l'espace d'installation.
- Ouvrir le tiroir supérieur juste assez pour pouvoir atteindre les brides de montage.

REMARQUE : Ne pas tirer le tiroir au-delà du point médian de sa course.

- Utiliser les brides de montage supérieures comme guide; prépercer deux trous de $\frac{1}{8}$ " (3,18 mm) à travers les brides de montage (pour chaque côté) dans les placards adjacents. Veiller à percer au moins deux trous par bride de montage.

REMARQUE : Contrôler l'aplomb des tiroirs réfrigérés avant de fixer les brides de montage supérieures.

- Fixer les brides de montage supérieures sur les placards adjacents - utiliser quatre vis à tête bombée n° 8 x $\frac{1}{2}$ ".

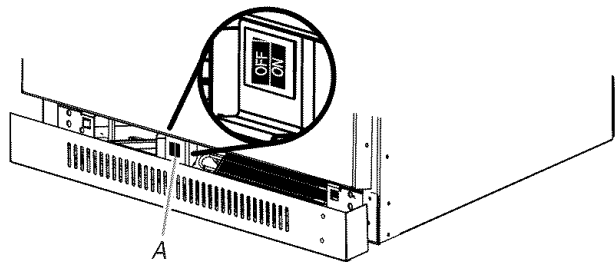


A. Brides de montage

- Répéter le processus pour le tiroir inférieur.

Réinstallation de la grille de la base

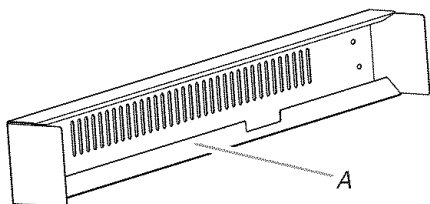
1. S'assurer que l'interrupteur d'alimentation On/Off (marche/arrêt) est allumé.



A. Interrupteur d'alimentation On/Off
(en position ON/marche)

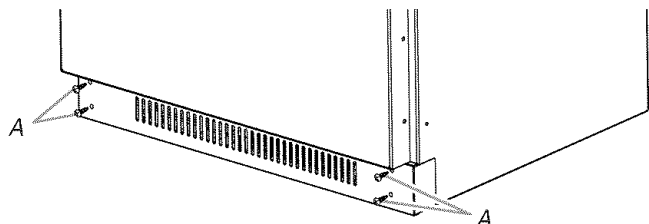
2. Réinstaller la grille de la base.

REMARQUE : La partie inférieure de la grille de la base a une encoche et un plus grand rebord que la partie supérieure.



A. Rebord inférieur

3. À l'aide d'un tournevis Phillips, visser les quatre vis dans la grille de la base - voir l'illustration. Serrer les vis.



A. Vis

Achever l'installation

1. Retirer boîtes, composants et matériaux d'emballage de l'intérieur des tiroirs réfrigérés.
2. Retirer le film de protection.
3. Nettoyer les tiroirs réfrigérés avant utilisation. Voir la section "Nettoyage" dans le Guide d'utilisation et d'entretien pour des instructions.
4. Les commandes ont été pré réglées à l'usine aux valeurs sélectionnées par défaut de 38°F (3°C) pour les tiroirs supérieur et inférieur. S'assurer que le compresseur fonctionne bien et que toutes les lampes s'allument.
5. Réinstaller les paniers métalliques dans les tiroirs réfrigérés. Il est possible d'installer les deux paniers métalliques dans le tiroir supérieur ou bien d'installer un panier métallique dans le tiroir supérieur et l'autre dans le panier inférieur.
6. Si les travaux doivent se poursuivre après l'installation des tiroirs réfrigérés, régler les commandes à Off (arrêt) pour les deux tiroirs. Voir "Utilisation des commandes" dans le Guide d'utilisation et d'entretien pour des instructions.

Pour pouvoir tirer le plus grand parti de vos nouveaux tiroirs réfrigérés, lire le Guide d'utilisation et d'entretien. Conserver les instructions d'installation et le Guide d'utilisation et d'entretien à proximité des tiroirs réfrigérés pour pouvoir les consulter à tout moment.

W10122760A

© 2007.
All rights reserved.
Todos los derechos reservados.
Tous droits réservés.

©Registered Trademark/™ Trademark of Maytag Corporation or its related companies.
©Marca registrada/™ Marca de comercio son propiedad de Maytag Corporation o sus compañías afiliadas.
©Marque déposée/™ Marque de commerce de Maytag Corporation ou de ses compagnies affiliées.

4/07
Printed in U.S.A.
Impreso en EE.UU.
Imprimé aux É.-U.