



Frigidaire

Factory Parts Catalog

Product No.	PLMV169DCC
Market	North America
Color	stainless steel
Volts	120
Watts	1000
Wiring Diagram	5995438545
Owner's Guide	316137231
Installation Instructions	316137334

 **Electrolux**

Electrolux Major Appliances
North & Latin America
P.O. BOX 212378
AUGUSTA, GA 30917

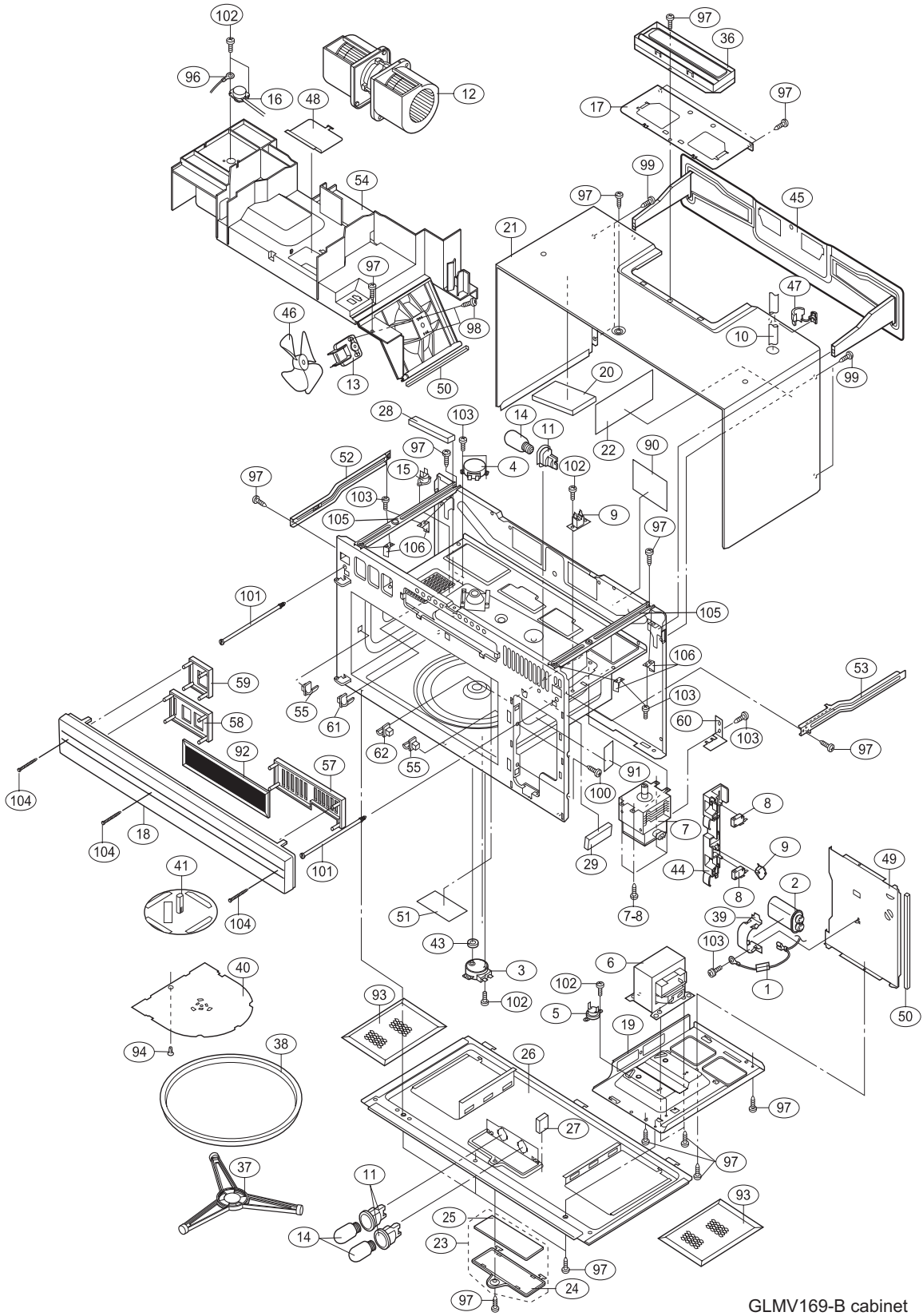
Publication No.
5995438545
05/06/03
(EN/SERVICE/BJH)
099

**OVER-RANGE
MICROWAVE**

Model No.
PLMV169D

Copyright © 2005 Electrolux Home Products, Inc.
All rights reserved.

OVEN, CABINET

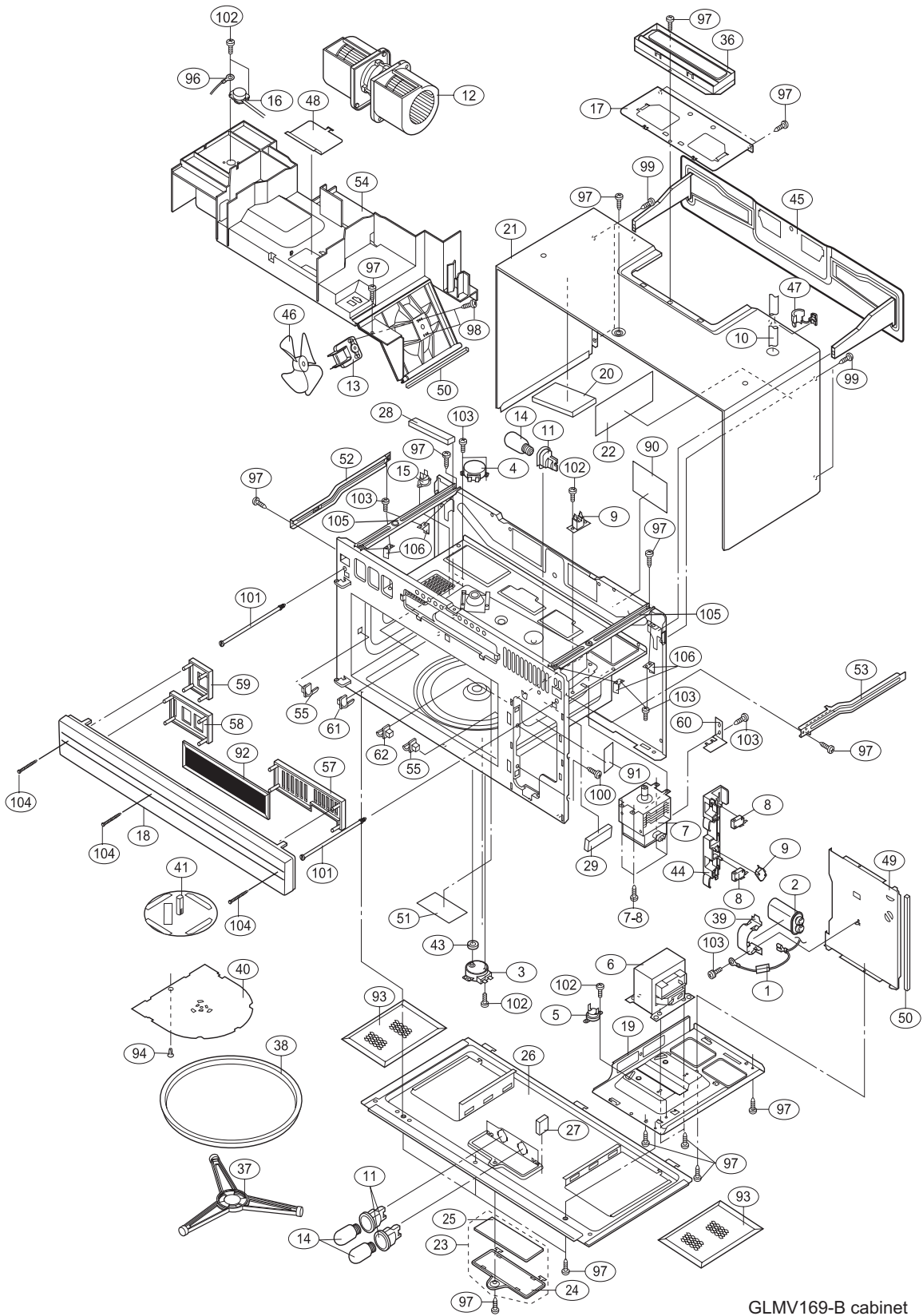


GLMV169-B cabinet

OVEN,CABINET

POS. NO	PART NO.	DESCRIPTION
1 #	5304440019	Rectifier, high voltage
2 #	5303319549	Capacitor, high voltage
3 #	5304448488	Motor, turntable
4 #	5304448489	Motor, stirrer fan
5 #	5304440023	Thermal Cutout, hood, N.O.60 deg C
6 #	5304440024	Transformer, power
7 #	5304440025	Magnetron
8 #	5304440026	Relay/Switch Assy, sec. interlock, door sense sw.
9 #	5304440027	Switch Kit, monitor, with CT fuse
10 #	5304440028	Power Cord, electric
11 #	5303319561	Receptacle, lamp socket, oven
12 #	5304440029	Motor, hood fan
13 #	5304448490	Motor, cooling fan
14	5304440031	Lamp, incandescent, 20 W, (3)
15 #	5304440032	Thermal Cutout, oven cavity, N.C. 145 deg C
16 #	5304440033	Sensor, abs. humidity, cook control
17	5304440232	Plate, rear stay
18	5304445464	Grille, exhaust, stainless steel
19	5304440236	Base, transformer mtg, right side
20	5304440237	Cushion, cabinet
21	5304445465	Casing, wrapper, black, outer cabinet
22	5304440241	Wiring Diagram, schematic
23	5303319654	Lens/Frame Assy, oven lamp, stainless
24	5303319655	Frame, lens holder, stainless
25	5303319575	Lens, cooktop lamp, glass
26	5304440244	Cover, unit base
27	5304441368	Cushion, base cover pad
28	5304441369	Cushion, cavity top pnl
29	5304441370	Cushion, magnetron pad
36	5304440283	Damper Assy, exhaust
37	5304440284	Support Assy, turntable
38	5304440285	Tray, turntable, glass
39	5303319587	Retainer, capacitor strap
40	5304440286	Cover, stirrer fan
41 #	5304440287	Stirrer Assembly
43	5304440288	Bushing, motor shaft, turntable
44	5304440289	Latch Hook
45	5304440290	Bracket, unit mtg plate, rear
46 #	5304440291	Fan Blade, mag cooling fan
47	5303319605	Bushing, power cord
48	5304440292	Cover, oven lamp
49	5304440293	Duct, hood intake, right side
50	5304440294	Cushion, intake duct
51	5304440295	Lens, lamp filter
52	5304440296	Support, chassis, left side
53	5304440297	Support, chassis, left side
54	5304440298	Duct, exhaust hood
55	5304440299	Support, rack, front
57	5304440301	Cover A, grille louver
58	5304440302	Cover B, grille louver
59	5304440303	Cover C, grille louver

OVEN, CABINET

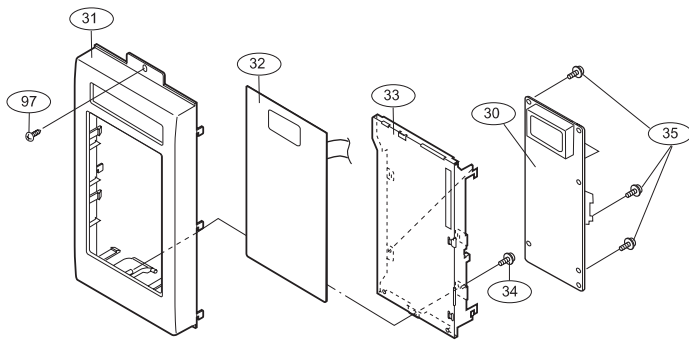


GLMV169-B cabinet

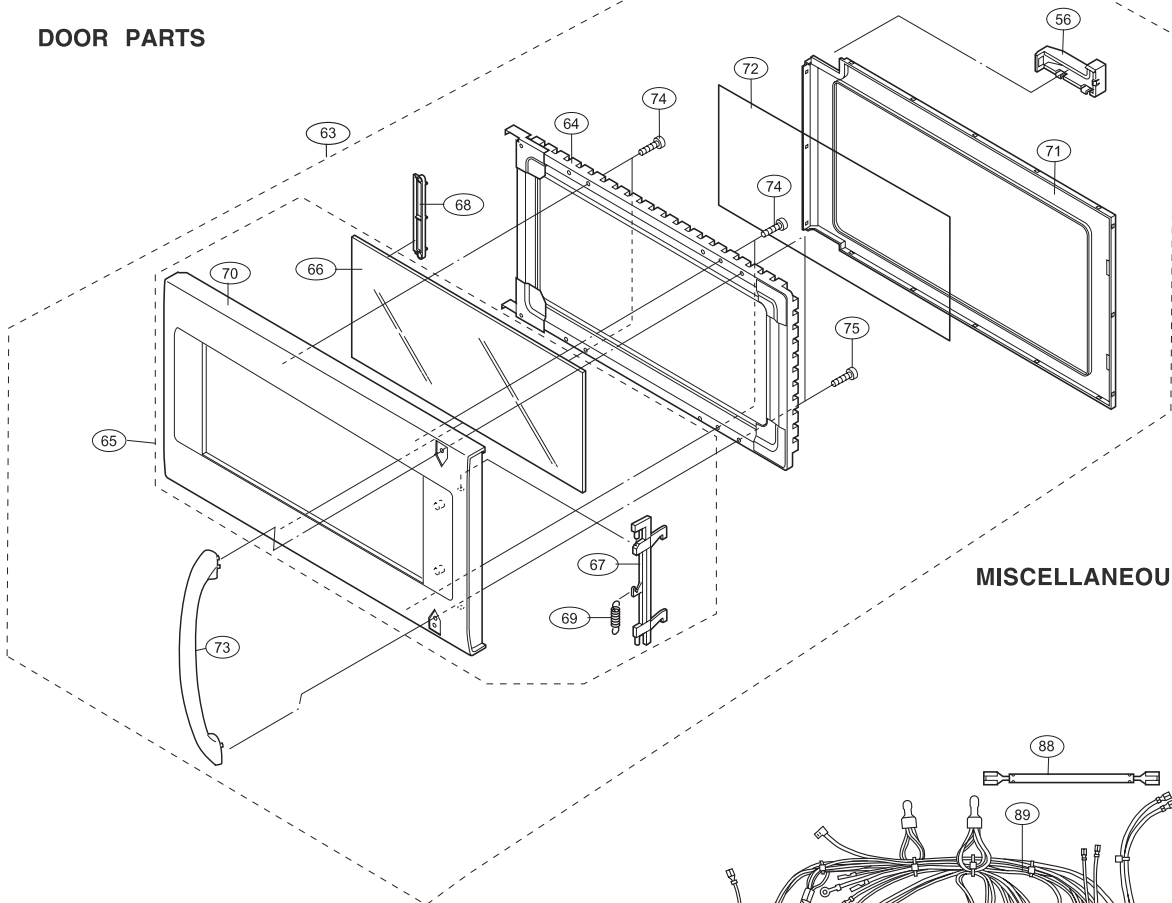
OVEN,CABINET

POS. NO	PART NO.	DESCRIPTION
60	5304440304	Bracket, air guide, magnetron
61	5304441371	Support, rack, left rear
62	5304441372	Support, rack, right rear
90	5304440333	Label, Caution-DHHS
91	5304440334	Label, Caution-monitor
92	5304440335	Filter, inside exhaust, charcoal
93	5303319568	Filter, grease, (2)
94	5304440337	Clip, canoe type, stirrer cover
96 #	5304440339	Wire, sensor ground
97	5304440340	Screw, 4mm x 12mm
98	5303319637	Screw, 4mm x 8mm
99	5303319639	Screw, wrapper, back
100	5303319641	Screw
101	5304440341	Screw, unit mounting
102	5303319633	Screw, 3mm x 8mm
103	5303319636	Screw
104	5304441378	Screw, grille mtg, (3)
105	5304441877	Support, chassis
106	5304445468	Gusset, chassis support

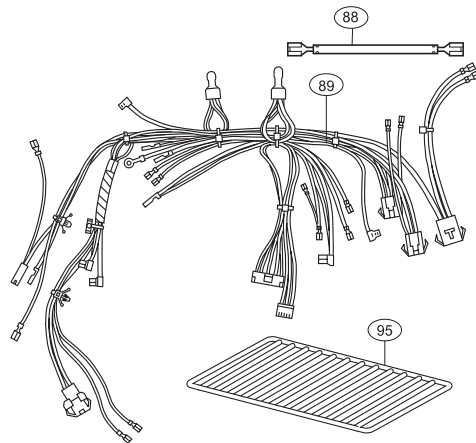
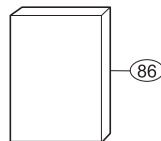
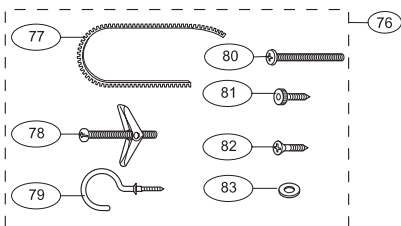
CONTROL PANEL, DOOR, MISC.



DOOR PARTS



MISCELLANEOUS



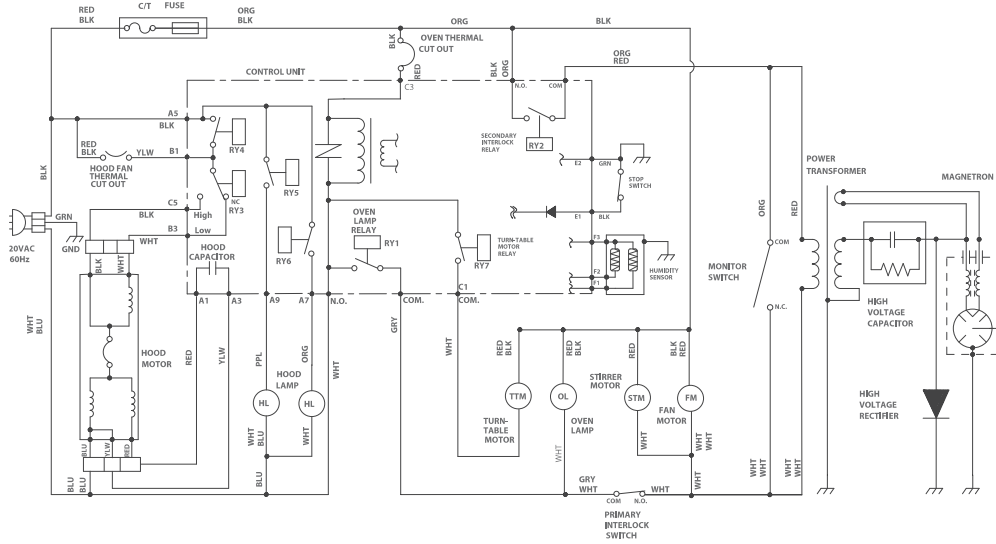
GLMV169 controls

CONTROL PANEL,DOOR,MISC.

POS. NO	PART NO.	DESCRIPTION
30 #	5304440245	Control Board, printed circuit
31	53044448491	Frame, control panel, stainless steel
32 #	5304440278	Switch, touch pad, membrane, black
33	5304440281	Panel, control mount
34	5303319584	Screw, control panel, 3mm x 10mm
35	5304440282	Screw, control board, 3mm x 10mm
56	5304440300	Door Stop
63	5304448492	Door Assy, complete, stainless steel, with handle
64	5304440305	Panel, inner door, black
65		STAINLESS PANEL NOT REPLACEABLE-ORDER STAINLESS DOOR ASSY.
66	5304440311	Panel, glass, door front
67	5304440314	Latch, door
68	5304440315	Clip, glass retainer, door
69	5304440316	Spring, door latch
70		STAINLESS FRAME NOT REPLACEABLE-ORDER STAINLESS DOOR ASSY.
71	5304440320	Frame, choke cover, inner door
72	5304440321	Seal, door, film
73	5304440322	Handle, door, stainless steel
74	5303319634	Screw, 4mm x 8mm
75	5304440326	Screw, 4mm x 12mm
76	5303319625	Hardware, installation, kit
77	5303318761	Sleeve, power cord, grommet
78	5303318762	Screw, toggle
79	5303322979	Hook, screw-in, cord holder
80	5303318764	Screw, 5mm x 60mm
81	5303318767	Screw, 4mm x 12mm
82	5303318765	Screw, wood, 5mm x 35 mm, (6)
83	5303318766	Washer, flat, 30mm, (2)
86	5304440329	Template, installation, top
86	5304440330	Template, installation, wall
88 #	5304440331	Wire, high voltage-A
89 #	5304440332	Wiring Harness, main-A
95	5304440338	Rack, microwave oven, wire
97	5304440340	Screw, 4mm x 12mm

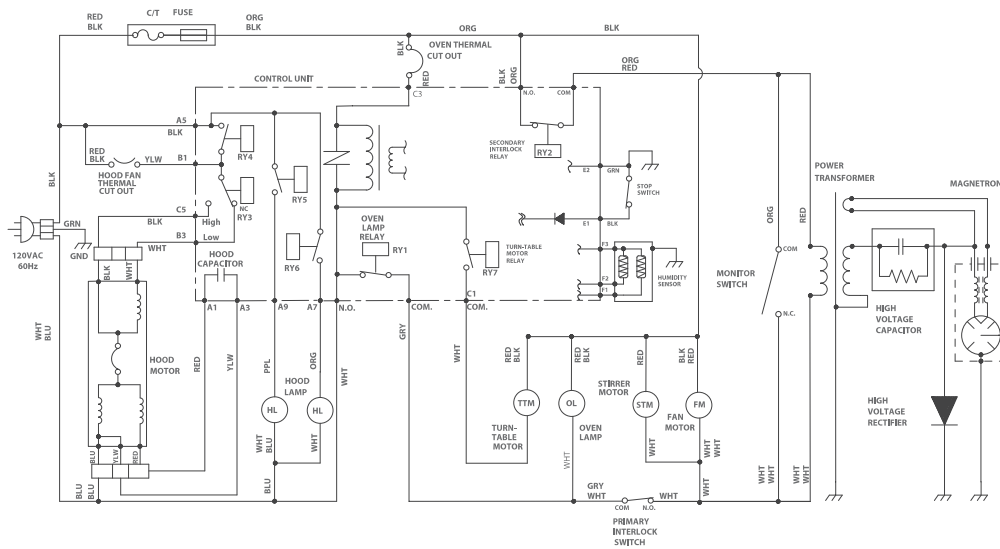
WIRING SCHEMATIC

SCHEMATIC
 NOTE: CONDITION OF OVEN
 1. DOOR CLOSED
 2. CLOCK APPEARS ON DISPLAY



Oven Schematic-Off Condition

SCHEMATIC
 NOTE: CONDITION OF OVEN
 1. DOOR CLOSED
 2. COOKING TIME PROGRAMMED
 3. VARIABLE COOKING CONTROL "HIGH"
 4. "START" PAD TOUCHED



GLVM169 wiring schematic

Oven Schematic-Cooking Condition