



ge.com

# Compactor Owner's Manual

# Manuel du propriétaire du compacteur

GCG1500P  
GCG1580P  
GCG1700P  
ZCGS150P  
ZCGP150P

# Compactors

Model number  
/Numéro de modèle : \_\_\_\_\_

Serial number  
/Numéro de série : \_\_\_\_\_



# TABLE OF CONTENTS

COMPACTOR SAFETY .....	2
INSTALLATION INSTRUCTIONS.....	3
Unpacking .....	3
Location Requirements.....	4
Electrical Requirements .....	4
Undercounter Installation .....	5
COMPACTOR USE .....	7
How Your Compactor Works.....	7
Loading.....	7
Starting Your Compactor.....	7
Using Solid (Locked) Cycle.....	7
Using the Air Filter .....	8
Removing a Filled Bag.....	8
Installing a New Bag .....	8
COMPACTOR CARE .....	9
Changing the Air Filter.....	9
Cleaning.....	9
TROUBLESHOOTING .....	10
WARRANTY.....	11
CONSUMER SERVICES .....	12
GE SERVICE PROTECTION PLUS™ .....	13
CONSUMER PRODUCT OWNERSHIP REGISTRATION .....	14

# TABLE DES MATIÈRES

SÉCURITÉ DU COMPACTEUR .....	15
INSTRUCTIONS D'INSTALLATION .....	16
Déballage.....	16
Exigences d'emplacement .....	16
Spécifications électriques .....	17
Installation sous un comptoir .....	18
UTILISATION DU COMPACTEUR.....	20
Fonctionnement du compacteur.....	20
Chargement .....	20
Mise en marche du compacteur .....	20
Utilisation du programme Solid (compression solide) (Verrouillé).....	20
Utilisation du filtre à air.....	21
Enlèvement d'un sac rempli.....	21
Installation d'un nouveau sac.....	21
ENTRETIEN DU COMPACTEUR.....	22
Changement du filtre à air.....	22
Nettoyage .....	22
DÉPANNAGE .....	24
GARANTIE .....	25
SERVICE À LA CLIENTÈLE.....	26
SERVICE PROTECTION PLUS™ DE GE.....	27
ENREGISTREMENT DU PROPRIÉTAIRE DE PRODUIT AU CONOMMATEUR .....	28

## COMPACTOR SAFETY

### Your safety and the safety of others are very important.

We have provided many important safety messages in this manual and on your appliance. Always read and obey all safety messages.



This is the safety alert symbol.

This symbol alerts you to potential hazards that can kill or hurt you and others.

All safety messages will follow the safety alert symbol and either the word "DANGER" or "WARNING."

These words mean:

**⚠ DANGER**

You can be killed or seriously injured if you don't immediately follow instructions.

**⚠ WARNING**

You can be killed or seriously injured if you don't follow instructions.

All safety messages will tell you what the potential hazard is, tell you how to reduce the chance of injury, and tell you what can happen if the instructions are not followed.

# IMPORTANT SAFETY INSTRUCTIONS

**WARNING:** When using an electrical appliance, basic precautions should always be followed, including the following:

- Read all instructions before using the compactor.
- Close supervision is necessary when used by or near children. Do not allow to be used as a toy, or to run unattended at any time. Lock Key Switch when not in use and store key out of reach of children.
- Do not touch moving parts.
- Do not operate with a damaged cord set, plug, motor, or after damage in any manner. Have the compactor examined, repaired or adjusted by an authorized serviceperson.
- Use only for intended use as described in this manual. Do not use other than manufacturer's recommended attachments.
- Do not compact toxic or volatile flammable material such as oily rags and insect sprays. Do not compact lighted cigarettes, cigars, or other hot or burning items. Do not overload the compactor.
- Do not take apart the compactor. Incorrect reassembly can cause electric shock when subsequently used.
- Handle a loaded trash bag with care. Sharp objects can pierce the bag and cause injury. Do not overload trash bag with heavy material such as glass.
- This compactor is intended for household use only.

## SAVE THESE INSTRUCTIONS

# INSTALLATION INSTRUCTIONS

**Installer:** Leave Use and Care Guide with the homeowner.

**Homeowner:** Keep Use and Care Guide for future reference and for local electrical inspector's use, if required.

## Unpacking

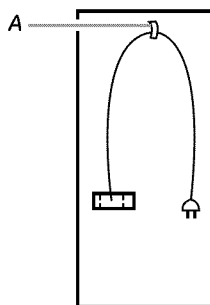
### **WARNING**

#### **Excessive Weight Hazard**

**Use two or more people to move and install compactor.  
Failure to do so can result in back or other injury.**

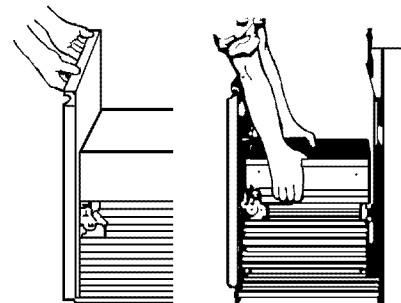
#### **IMPORTANT:**

- Do not grasp console to move compactor.
  - Begin in the room where the compactor will be located.
1. Remove compactor from shipping carton. Remove all packaging materials such as tape and shipping pads. Use a mild detergent and warm water to remove waxy residue caused by shipping material. Dry thoroughly with a soft cloth. For more information, see "Cleaning."
  2. Be sure the power cord is attached to the cord clip on the rear of the compactor.

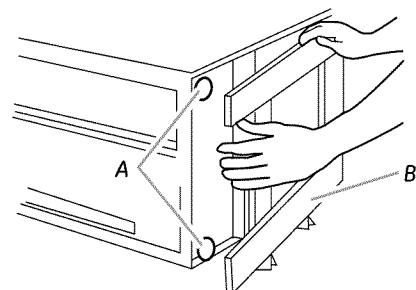


A. Cord clip

3. Place the 2 corner posts from the carton on the floor near the compactor. Open the compactor drawer and remove any shipping materials or other items from the drawer. Do not remove the compactor bag. Grasp the handle and raise the front of drawer until it clears the drawer stops. Grasp sides of drawer and lift drawer out of compactor. Place the drawer on the 2 corner posts.



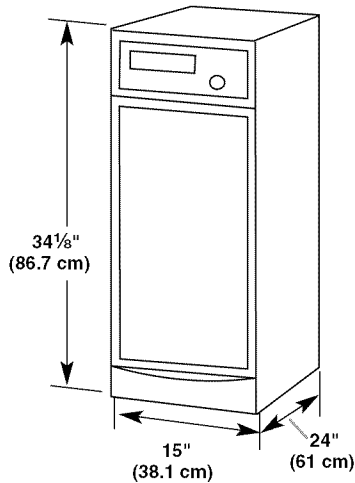
4. Place the other 2 corner posts on the floor to the side of the compactor. Grasp the sides of the compactor cabinet and put compactor on its side on top of the corner posts. Remove the shipping base from the bottom of the compactor.



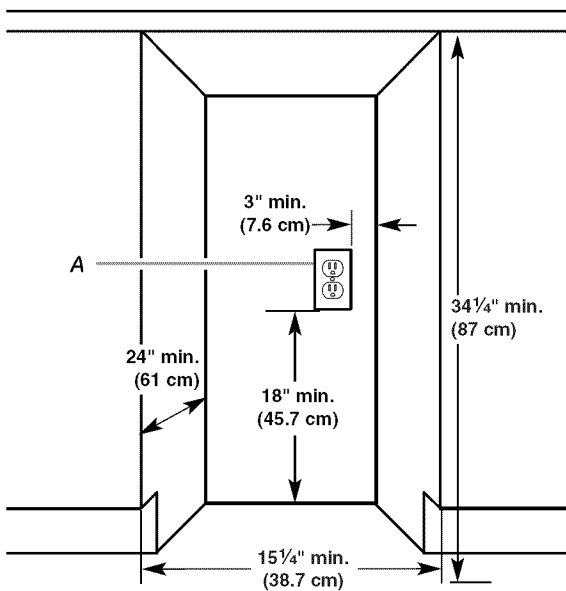
A. Leveling legs  
B. Shipping base

## Location Requirements

### Product Dimensions

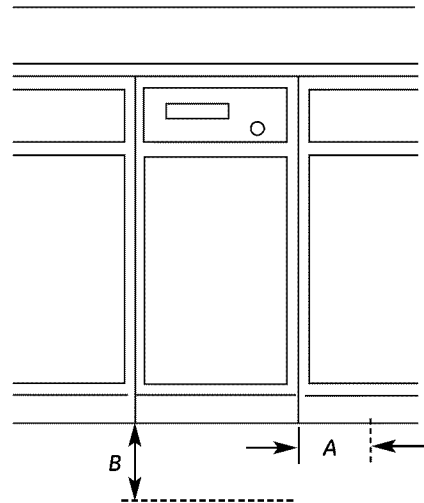


### Cutout Dimensions



A. Grounded electrical outlet must be a minimum of 3" (7.6 cm) away from surrounding cabinets or nearby walls as shown. It can be placed either to the left or the right side of the compactor.

### Clearance Dimensions



- A. Leave 6" (15.2 cm) of clearance space to the right side of the compactor in order to remove the compactor bags.
- B. Leave 23" (58.4 cm) of clearance in front of the compactor in order to fully open or remove the compactor drawer.

## Electrical Requirements

### ⚠ WARNING



#### Electrical Shock Hazard

**Plug into a grounded 3 prong outlet.**

**Do not remove ground prong.**

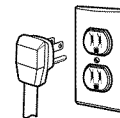
**Do not use an adapter.**

**Do not use an extension cord.**

**Failure to follow these instructions can result in death, fire, or electrical shock.**

### Recommended Grounding Method

This compactor is for use on a single phase, 115-volt, 60 Hz, AC only, 15- or 20-amp fused and properly grounded circuit and is equipped with a grounding plug as shown below. It is recommended that a separate circuit serving only this appliance be provided.



This compactor must be grounded while in use to reduce the risk of electric shock. The compactor is equipped with a three-conductor cord and 3 prong grounding-type plug to fit the proper grounding-type receptacle. The green (or green and yellow) conductor in the cord is the grounding wire. Do not connect the green (or green and yellow) wire to a live terminal.

## Undercounter Installation

**NOTE:** Proper installation is your responsibility. Make sure you have everything necessary for correct installation. It is the personal responsibility and obligation of the customer to contact a qualified installer to assure that electrical installation meets all national and local codes and ordinances.

### Tools needed:

Gather the required tools and parts before starting installation.

- Level
- Phillips No. 2 screwdriver
- Tape measure
- Flat-blade screwdriver
- Pliers
- $\frac{5}{16}$ " Box-end wrench
- Scissors
- Utility knife

### IMPORTANT:

- Do not grasp control panel to move compactor.
- Slide compactor onto cardboard or hardboard before moving compactor across floor to avoid floor covering damage.
- Do not allow the rear frame of the compactor to touch the floor covering when lifting or moving compactor.

### Undercounter Installation

**NOTE:** Installation hardware is not provided with full cabinet models.

1. Measure the height of your cabinet opening. The top of the compactor should be at least  $\frac{1}{8}$ " (3 mm) from the top of the cabinet opening.

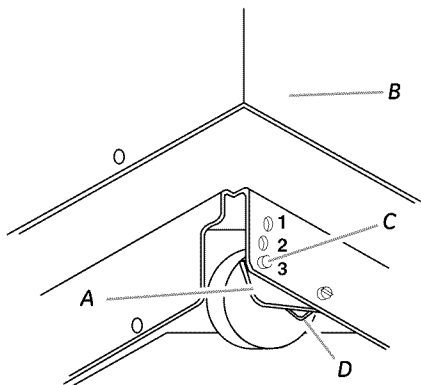
The rear wheels are preset for a cabinet opening height of  $34\frac{1}{4}$ " (87 cm) (Position 1).

#### To adjust for other cabinet opening heights:

- Loosen self-tapping screw just enough to clear stud from hole in position "1."
- Move the rear wheel and stud to position "2" or "3" as needed for your cabinet opening measurement:  
Position 2:  $34\frac{1}{4}$ " to  $34\frac{7}{16}$ " (87 to 87.5 cm)  
Position 3:  $34\frac{7}{16}$ " to  $34\frac{5}{8}$ " (87.5 to 88 cm)

**NOTE:** To level the unit in position "3," you may need to add shims under the leveling legs.

- Tighten screw. Repeat for other rear wheel.



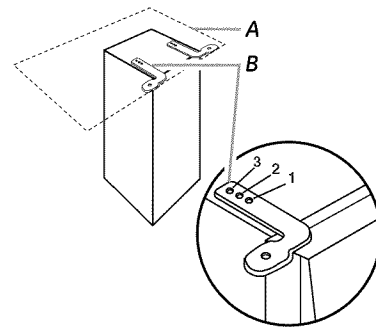
A. Wheel bracket assembly  
B. Cabinet

C. Locating stud  
D. Self-tapping screw (pivot)

2. Use pliers to lower leveling legs away from cabinet. Adjust legs so there will be a  $\frac{1}{8}$ " (3 mm) to  $\frac{1}{4}$ " (6.4 mm) space between the top of the compactor and the top of the cabinet opening. Stand the compactor upright.
3. For model with cabinet, remove the plastic plugs from the compactor cabinet top.
4. Move the compactor close to its final position.
5. Plug into a grounded 3 prong outlet.
6. Determine if you want the compactor frame or drawer front flush with the cabinet front.

Using the two #8-18 x  $\frac{5}{16}$ " screws, install the retaining brackets to cabinet top as needed:

- If the compactor frame is to be flush with the cabinet front, place retaining bracket screws through "1."
- If the compactor drawer front is to be flush with the cabinet front, place retaining bracket screws through "3."
- If the compactor is to be midway between "1" and "3," place the retaining bracket screws through "2."



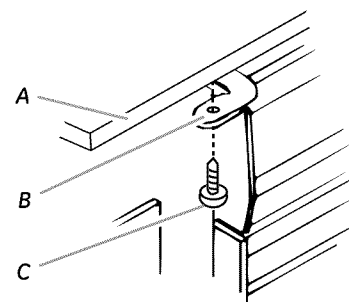
A. Countertop  
B. Retaining bracket

7. Slowly lift the front slightly and roll compactor into the cabinet opening.

Using the two #8-18 x  $\frac{1}{2}$ " screws, fasten the retaining brackets to the countertop with the mounting screws.

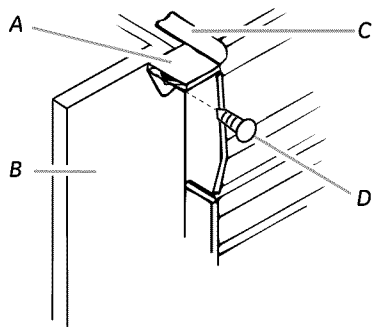
If brackets cannot be attached to the underside of countertop, attach mounting clips to brackets. Fasten compactor to cabinet front with mounting screws through mounting clips.

### Countertop mounting



A. Countertop  
B. Retaining bracket  
C. Mounting screw

## Cabinet-front mounting



A. Mounting clip  
B. Cabinet  
C. Retaining bracket  
D. Mounting screw

- Grasp sides of compactor drawer and place bottom of drawer into tracks. Lift at the handle so drawer will go over drawer stops. Close drawer. Check to see if drawer opens freely. If the toe plate rubs against floor, see "Adjusting the Toe Plate" for further instructions.

## Adjusting the Toe Plate

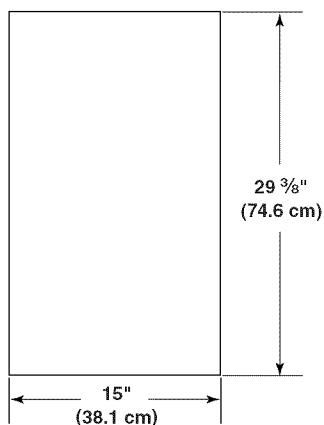
If the toe plate rubs the floor covering, the toe plate clearance may be changed as follows:

- Mark on each side of the toe plate the amount of toe plate that rubs the floor covering.
- Remove the drawer from the unit. (See Step 3 in the "Unpacking" section.)
- Use a ruler and a pencil or chalk to draw a line between the marks on each side of toe plate.
- Use scissors or utility knife to cut toe plate along line.
- Replace drawer. If toe plate still rubs floor covering, repeat steps 1-4.

## Installing a Custom Panel

### Dimensions

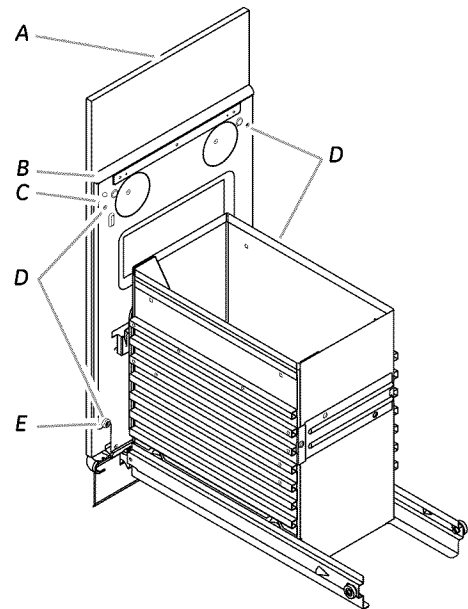
Use these dimension drawings to create a custom panel for use without a trim kit. The panel should be a minimum of 1/2" (13 mm) thick.



## Installation

- Remove the 2 rubber bumpers from the lower corners of the inside drawer front. Set aside the bumpers and discard the screws.
- Align the bottom of the custom panel with the bottom of the exterior drawer front and rest the panel on the rest tab.
 

**NOTE:** The bottom of the custom panel should not extend below the bottom rest tab at the lower center of the exterior drawer front.
- Secure the custom panel to the exterior drawer front by using four #8 x 1" wood screws from the inside drawer front.
  - Install the top 2 wood screws as shown.
  - Use the bottom 2 wood screws to also reinstall the 2 rubber bumpers on each side of the lower inside drawer while attaching to the custom panel.
- Attach a 15" x 1/2" quarter-round filler along the top inside edge of the drawer front using glue or screws.



A. Custom panel  
B. 15" x 1/2" quarter round  
C. Drawer front  
D. Four #8 x 1" wood screws placement  
E. Rubber bumper (one on each side)

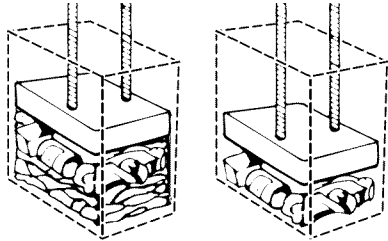
# COMPACTOR USE

## How Your Compactor Works

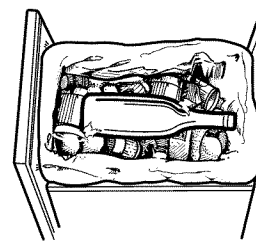
The compacting ram is the part of the compactor which compresses the trash. The compacting ram does not go to the bottom of the drawer. You will not see compacting of trash the first few times you load the compactor.

**NOTE:** The compactor drawer should be more than ½ full before the compactor can begin to compress the load.

You may hear a noise when glass breaks. Strong glass bottles may not break at all. The trash in a full compactor bag will be about ¼ the size of its original bulk.



Load bulky trash, bottles, and cans in the center of the drawer. Bottles or cans not placed in the center may become caught between the ram and the drawer. The Drawer Monitor Switch then senses a "misload" and causes the ram to return to the "up" position without compacting.



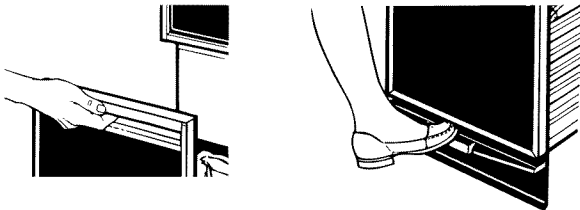
## Loading

**IMPORTANT:** Do not push items down into compactor with hands or feet.

**NOTE:** You will not see compacting of trash the first few times you load the compactor. The compactor drawer should be about ½ full before the compactor can begin to compress the load.

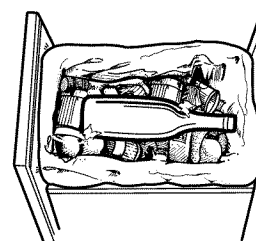
1. Open the drawer. Lift and pull the handle or press the toe bar to open the drawer.

**NOTE:** Pressing the toe bar opens the container only 3" to 6" (7.6 cm to 15.2 cm), depending on the load.



2. Place trash in compactor.

- Wrap or cover wet or messy trash.
- Do not compact items that may develop offensive odors such as raw meat, fish, grapefruit rinds, disposable diapers, or personal hygiene items.
- Load bottles or cans on their sides in the center of the drawer. Do not load bottles in an upright position.



3. Close the drawer.

## Starting Your Compactor

1. Open container. Load trash.
2. Leave Key-Knob in ON position.
3. Set Solid Cycle switch to OFF.
4. Close container.
5. Lift foot pedal UP to START cycle.

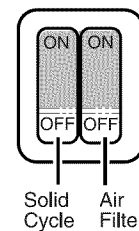
## Using Solid (Locked) Cycle

The Solid (Locked) Cycle extends the use of the bag by putting constant pressure on the trash to keep it from springing back. Regular use of solid cycle can increase bag capacity up to 25 percent.

During Solid Cycle, the ram will stay in the down position for extra compacting. The drawer is locked and cannot be opened when the ram is down.

For best results, use the Solid Cycle for at least 30 minutes at a time.

1. Open container. Load trash.
2. Set compactor Solid Cycle switch to ON.

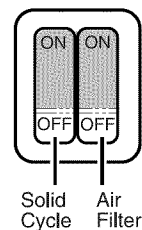


3. Close container.
4. Lift the foot pedal UP to START cycle.
5. Container remains LOCKED until you RESET by lifting the foot pedal UP.

---

## Using the Air Filter

1. Set the Air Filter switch to ON. The fan creates air movement in the compactor for odor removal.  
**NOTE:** The charcoal Air Filter works only when the Key-Knob is in the ON position.
2. Set the Air Filter switch to OFF to turn off the fan.



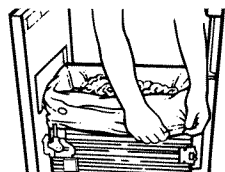
---

## Removing a Filled Bag

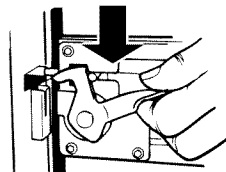
When the trash is compacted to the top of the drawer, remove the bag. If the bag is too heavy, compact less trash before emptying it in the future.

**IMPORTANT:** Do not push items down into compactor with hands or feet.

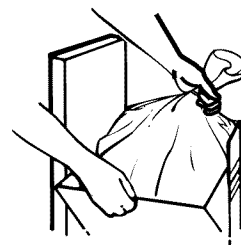
1. Pull the drawer completely open.
2. Remove top of bag from bag retainer buttons. Pull up all four bag cuffs. Close bag with twist tie provided.



3. Push Side-Lock Latch down and tilt drawer side open.



4. Lift out bag.



---

## Installing a New Bag

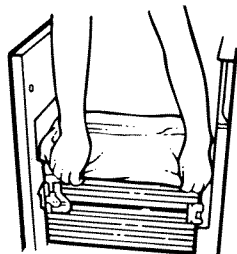
Do not use any kind of bag other than those designed especially for use in your compactor. Order replacement compactor bags through your local dealer or by calling the toll-free number **1-800-626-2002** (U.S.), **1-800-661-1616** (Canada).

**IMPORTANT:**

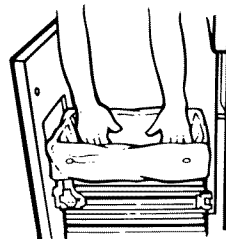
Before installing a new bag, be sure:

- The drawer side is securely locked.
- The container is clean and free of debris.

1. Place folded bag into the drawer. Open bag and pull top edges over the drawer top.



2. Lock bag in place by pulling the four prepunched holes over the bag retainer buttons. Holes will expand over the buttons without damaging the bag.
3. Press inside of bag against the drawer bottom, sides and corners for a smooth fit.





# COMPACTOR CARE

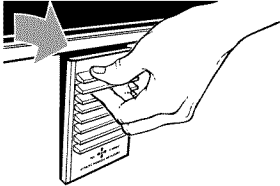
Your new compactor is designed to give you many years of dependable service. However, there are a few things you are expected to do in order to properly maintain your compactor. This section will tell you how to clean and care for your compactor.

## Changing the Air Filter

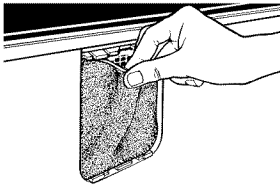
It is recommended that you use the charcoal air filter in the filter compartment.

To order the correct replacement charcoal filters, call the toll-free number **1-800-626-2002** (U.S.), **1-800-661-1616** (Canada).

1. Insert fingertips in the air filter cover and pull until the side tabs release. Then, lift the cover to release the bottom tabs.



2. Remove the air filter by pulling the top edge of the filter. The filter should pull out easily. Throw away used filter.



3. To replace air filter, push the replacement filter into place.
4. Insert the bottom tabs of the air filter cover and push in until the side tabs snap into place.

## Cleaning

Before cleaning the compactor, turn the Key-Knob (or Key-Switch) to the OFF & LOCK position and remove it.

**NOTE:** Any services other than those outlined in this section should be performed by a designated service representative.

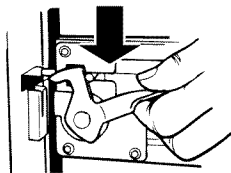
### Cleaning Exterior Surfaces

1. Wash exterior surfaces (including stainless steel) with a clean sponge or soft cloth and a mild detergent in warm water. Do not use abrasive or harsh cleaners. Rinse and dry thoroughly with a soft cloth.
2. Wipe up spills right away. Some foods can damage the finish if left on the compactor surface.

### Cleaning Inside the Drawer

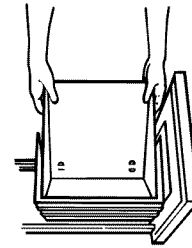
**NOTE:** You may want to wear gloves since there may be bits of glass in the drawer.

1. Remove the bag. See the "Removing a Filled Bag."
2. Press down on the lever-action lock (or Side-Lock latch).



3. Hold the lever-action lock down and tilt the side of the drawer out until the lock clears the drawer front.

**NOTE:** If desired, the drawer side can be removed by tilting it up, then lifting it out.



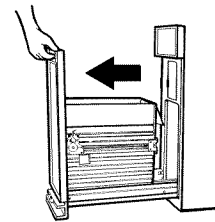
4. Wash the interior of the drawer with a clean sponge or soft cloth and a mild detergent in warm water. Rinse and dry thoroughly with a soft cloth.
5. If the drawer side was removed, slide it back into the tilted position.
6. Press the lever-action lock (or Side-Lock Latch) down while pushing the drawer side to the upright position.
7. Latch the drawer side by pushing up the lever-action lock (or Side-Lock Latch).

### Cleaning Inside the Cabinet

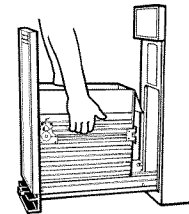
**NOTE:** You may want to wear gloves since there may be bits of glass in the cabinet.

1. Pull the drawer out until it stops.

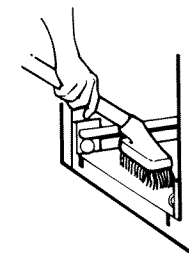
**NOTE:** Look to see how the drawer rollers move in the tracks. It will be easier to replace the drawer after you have finished cleaning.



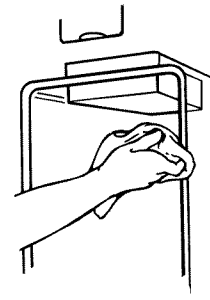
2. Lift the front of the drawer to clear the stops.
3. Grasp the drawer on the sides and pull it out the rest of the way. Set the drawer down gently.



4. Vacuum the inside of the cabinet. Liquid spills or wet trash should be cleaned up by hand, or by using a vacuum designed to pick up liquids.



5. Wash the inside of the cabinet with a clean sponge or soft cloth and a mild detergent in warm water. Rinse and dry thoroughly with a soft cloth.
6. To replace the drawer, grasp it by the sides and insert the rollers onto the tracks.
7. Lift the front of the drawer and push it in fully past the stops.




---

### Cleaning the Ram

---

**NOTE:** You may want to wear gloves since there may be bits of glass on the ram cover.

1. Wipe glass particles off of the ram cover with a cloth or paper towels.
2. Remove foods with a clean sponge or soft cloth and a mild detergent in warm water. Rinse and dry thoroughly with a soft cloth.

---

### Cleaning Before a Vacation

---

If you will be away for more than a couple of days, remove the compactor bag. Remove the Key-Knob (or Key-Switch) and store it out of children's reach.

---

## TROUBLESHOOTING

Try the solutions suggested here first in order to avoid the cost of an unnecessary service call.

---

### Trash is not compacting

---

- **Is the drawer less than half-full?** Drawer must be more than half full before trash is compacted.

---

### Your compactor won't operate

---

- **Is the power supply cord unplugged?** Plug into a grounded 3 prong outlet.
- **Has a household fuse blown, or has a circuit breaker tripped?** Replace the fuse or reset the circuit breaker. If the problem continues, call an electrician.
- **Is the drawer completely closed?** Close the drawer firmly and start the compactor again.
- **Is the Key-Knob turned all the way to START?** Turn the Key-Knob (Key-Switch) fully to START and release (on some models). See "Starting Your Compactor."
- **Did you press ON before pressing START?** Press ON before pressing START (on some models). See "Starting Your Compactor."

---

### The drawer won't open

---

- **Is the ram all the way up?** Drawer will open only when ram is fully raised.
- To raise the ram on models with a Key-Knob (or Key-Switch):** Turn the Key-Knob (Key-Switch) to START and release. See "Starting Your Compactor."
- To raise the ram on models with push button controls:** Press OFF, and then press ON. See "Starting Your Compactor."
- **Is the Solid Cycle engaged?** Drawer remains LOCKED until you reset by lifting the foot pedal up.

---

### There is not enough compaction or force

---

- **Do you use the compacting cycle frequently enough?** Compacting works best when only a few items are loaded.

---

### Bottles don't break

---

- **How often do you notice this?** Bottles will not break every time. The thickness of the bottle's glass and the content of the trash load below it may keep the bottle from breaking.

**YOUR COMPACTOR WARRANTY**

**Staple sales slip or canceled check here. Proof of original purchase date is needed to obtain service under warranty.**

**WHAT IS COVERED**

*From the Date of the Original Purchase*

**ONE-YEAR**

Any part of the compactor which fails due to a defect in materials or workmanship. During this **limited one-year warranty**, GE will also provide, **free of charge**, all labor and in-home service to replace the defective part.

.....

This warranty is extended to the original purchaser and any succeeding owner for the products purchased for ordinary home use in the 48 mainland states, Hawaii, Washington, D.C.; or Canada. If the product is located in an area where service by a GE Authorized Servicer is not available, you may be responsible for a trip charge or you may be required to bring the product to an Authorized GE Service Location for service. In Alaska the warranty is the same except that it is LIMITED because you must pay to ship the product to the service shop or for the service technician's travel cost to your home.

All warranty service will be provided by our Factory Service Centers or by our authorized Customer Care® servicers during normal working hours.

Should your appliance need service, during warranty period or beyond, in the U.S.A. call 800.444.1845. Please have serial number and model number available when calling for service.

**WHAT IS NOT COVERED**

- Service trips to your home to teach you how to use the product.
- Improper installation, delivery or maintenance.
- Replacement of house fuses or resetting of circuit breakers.
- Failure of the product if it is abused, misused, or used for other than the intended purpose or used commercially.
- Damage to the product caused by accident, fire, floods or acts of God.
- Incidental or consequential damage caused by possible defects with this appliance.
- Damage caused after delivery.
- Product not accessible to provide required service.

**EXCLUSION OF IMPLIED WARRANTIES—Your sole and exclusive remedy is product repair as provided in this Limited Warranty. Any implied warranties, including the implied warranties of merchantability or fitness for a particular purpose, are limited to one year or the shortest period allowed by law.**

Some states do not allow the exclusion or limitation of incidental or consequential damages, so the above limitation or exclusion may not apply to you. This warranty gives you specific legal rights, and you may also have other rights which vary from state to state. To know what your legal rights are in your state, consult your local or state consumer affairs office or your state's Attorney General.

**Warrantor: General Electric Company, Louisville, KY 40225.**

***With the purchase of your new appliance, receive the assurance that if you ever need information or assistance from GE, we'll be there. All you have to do is call—toll-free!***

## **GE Answer Center®**

***In the USA:  
800.626.2000***

Whatever your question about any GE major appliance, GE Answer Center® information service is available to help. Your call—and your question—will be answered promptly and courteously. GE Answer Center® service is open 8:00 a.m. to 10:00 p.m. Monday–Friday and 8:00 a.m. to 7:00 p.m. on Saturday.

**OR**

Visit our Website at: [ge.com](http://ge.com) (U.S.), [ge.com/ca](http://ge.com/ca) (Canada)

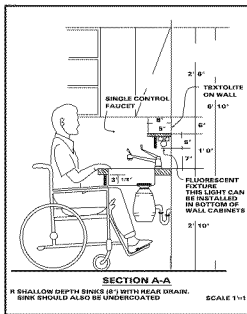
## **In-Home Repair Service**

***In the USA:  
800.444.1845***

A GE consumer service professional will provide expert repair service, scheduled at a time that's convenient for you. Many GE Consumer Service company-operated locations offer you service today or tomorrow, or at your convenience (7:00 a.m. to 7:00 p.m. weekdays, 9:00 a.m. to 2:00 p.m. Saturdays). Our factory-trained technicians know your appliance inside and out—so most repairs can be handled in just one visit.

## **For Customers With Special Needs...**

***In the USA:  
800.626.2000***



GE offers Braille controls for a variety of GE appliances, and a brochure to assist in planning a barrier-free kitchen for persons with limited mobility.

Consumers with impaired hearing or speech who have access to a TDD or a conventional teletypewriter may call 800.TDD.GEAC (800.833.4322) to request information or service.

## **Service Contracts**

***In the USA:  
800.626.2224***

You can have the secure feeling that GE Consumer Service will still be there after your warranty expires. Purchase a GE contract while your warranty is still in effect, and you'll receive a substantial discount. With a multiple-year contract, you're assured of future service at today's prices.

## **Parts and Accessories**

***In the USA:  
800.626.2002***

**Individuals qualified to service their own appliances** can have parts or accessories sent directly to their home. The GE parts system provides access to more than 47,000 parts...and all GE Genuine Renewal Parts are fully warranted.

**User maintenance instructions contained in this manual cover procedures intended to be performed by any user.** Other servicing generally should be referred to qualified service personnel. Caution must be exercised, since improper servicing may cause unsafe operation.

## GE Service Protection Plus™

GE, a name recognized worldwide for high quality and dependability, offers you Service Protection Plus™—comprehensive protection on all of your appliances—**No Matter What Brand!**

**Benefits Include:**

- Backed by GE
- All brands covered
- Unlimited service calls
- All parts and labor costs included
- No out-of-pocket expenses
- No hidden deductibles
- One 800 number to call

You will be completely satisfied with our service protection or you may request your money back on the remaining value of your contract. No questions asked. It's that simple.

Protect your refrigerator, dishwasher, washer and dryer, range, TV, VCR and much more— **any brand!** Plus there's no extra charge for emergency service and low monthly financing is available. Even ice maker coverage and food spoilage protection is offered. You can rest easy, knowing that all of your valuable household products are protected against expensive repairs.

Place your confidence in GE and call us in the U.S. toll-free at **800.626.2224** for more information.

\*All brands covered, up to 20 years old, in the continental U.S.



Please place in envelope and mail to:

**General Electric Company  
Warranty Registration Department  
P.O. Box 32150  
Louisville, KY 40232-2150**

# Consumer Product Ownership Registration

Dear Customer:

Thank you for purchasing our product and thank you for placing your confidence in us. We are proud to have you as a customer!

Follow these three steps to protect your new appliance investment:

# 1

Complete and mail your Consumer Product Ownership Registration today. Have the peace of mind of knowing we can contact you in the unlikely event of a modification.

# 2

After mailing the registration below, store this document in a proper place. It contains information you will need should you require service. Our service number is 800 GE CARES (800.432.2737).

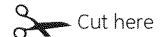
# 3

Read your Owner's Manual. It will help you operate your new appliance properly.

Model Number

Serial Number

**Important: If you did not get a registration card with your product, detach and return the form below to ensure that your product is registered, or register online at [ge.com](http://ge.com).**



## Consumer Product Ownership Registration



Model Number

Serial Number

Mr.  Ms.  Mrs.  Miss

First Name

Last Name

Street Address

Apt. #

E-mail Address\*

City

State

Zip Code

Date Placed In Use Month

Day

Year

Phone Number



**GE Consumer & Industrial Appliances**  
General Electric Company  
Louisville, KY 40225  
[ge.com](http://ge.com)

\* Please provide your e-mail address to receive, via e-mail, discounts, special offers and other important communications from GE Appliances (GEA).

Check here if you do not want to receive communications from GEA's selected partners.

FAILURE TO COMPLETE AND RETURN THIS CARD DOES NOT DIMINISH YOUR WARRANTY RIGHTS.

For more information about GEA's privacy and data usage policy, go to [ge.com](http://ge.com) and click on "Privacy Policy" or call 800.626.2224

# SÉCURITÉ DU COMPACTEUR

## Votre sécurité et celle des autres est très importante.

Nous donnons de nombreux messages de sécurité importants dans ce manuel et sur votre appareil ménager. Assurez-vous de toujours lire tous les messages de sécurité et de vous y conformer.



Voici le symbole d'alerte de sécurité.

Ce symbole d'alerte de sécurité vous signale les dangers potentiels de décès et de blessures graves à vous et à d'autres.

Tous les messages de sécurité suivront le symbole d'alerte de sécurité et le mot "DANGER" ou "AVERTISSEMENT". Ces mots signifient :

**⚠ DANGER**

**Risque possible de décès ou de blessure grave si vous ne suivez pas immédiatement les instructions.**

**⚠ AVERTISSEMENT**

**Risque possible de décès ou de blessure grave si vous ne suivez pas les instructions.**

Tous les messages de sécurité vous diront quel est le danger potentiel et vous disent comment réduire le risque de blessure et ce qui peut se produire en cas de non-respect des instructions.

## IMPORTANTES INSTRUCTIONS DE SÉCURITÉ

**AVERTISSEMENT :** Lors de l'utilisation d'appareils électroménagers, il convient d'observer certaines précautions élémentaires dont les suivantes :

- Lire toutes les instructions avant d'utiliser le compacteur.
- Une surveillance étroite est nécessaire, lorsque l'appareil est employé par ou près d'enfants. Ne pas permettre d'utiliser l'appareil comme un jouet, ou le faire fonctionner sans surveillance. Verrouiller l'interrupteur à clé lorsque l'appareil n'est pas utilisé et garder la clé hors d'atteinte des enfants.
- Ne pas toucher les pièces mobiles.
- Ne pas faire fonctionner le compacteur si le cordon d'alimentation, la fiche de branchement, le moteur sont endommagés ou après tout dommage quelconque. Faire examiner, réparer ou ajuster le compacteur par un technicien autorisé.
- Utiliser uniquement pour l'usage auquel il est destiné, tel que décrit dans ce manuel. Ne pas utiliser des accessoires autres que ceux qui sont recommandés par le fabricant.
- Ne pas utiliser cet appareil pour compacter des produits toxiques ou fluides inflammables tels que chiffons imbibés d'huile et vaporisateurs insecticides. Ne pas soumettre au compacteur les articles comme cigarettes ou cigares allumés, ou autres objets en combustion ou chauds. Ne pas surcharger le compacteur.
- Ne pas démonter le compacteur. Un remontage incorrect peut être à l'origine d'un choc électrique, lors de l'utilisation subséquente.
- Manipuler avec soin un sac rempli de déchets. Des objets pointus peuvent percer le sac et causer des blessures. Ne pas surcharger le sac de déchets avec des matériaux pesants tels que le verre.
- Ce compacteur est destiné à l'usage domestique uniquement.

## CONSERVEZ CES INSTRUCTIONS

# INSTRUCTIONS D'INSTALLATION

**Installateur :** Laissez le Guide d'utilisation et d'entretien au propriétaire.

**Propriétaire :** Gardez le Guide d'utilisation et d'entretien pour référence ultérieure et pour l'usage de l'inspecteur local d'électricité, au besoin.

## Déballage

### **AVERTISSEMENT**

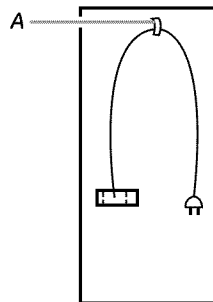
#### **Risque du poids excessif**

**Utiliser deux ou plus de personnes pour déplacer et installer le compacteur.**

**Le non-respect de cette instruction peut causer une blessure au dos ou d'autre blessure.**

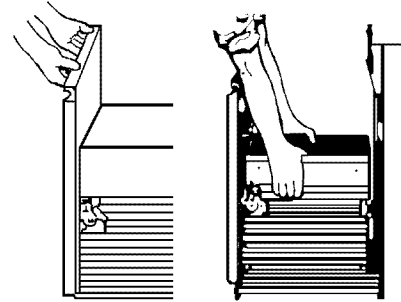
#### IMPORTANT :

- Ne pas saisir la console pour déplacer le compacteur.
  - Commencer dans la pièce où le compacteur sera installé.
1. Retirer le compacteur de son emballage de carton. Enlever tous les matériaux d'emballage comme ruban adhésif et cales. Avec une solution d'eau tiède et de produit de nettoyage ménager doux, enlever les résidus de cire laissés par les matériaux. Sécher complètement avec un chiffon doux. Pour de plus amples renseignements, voir la section "Nettoyage".
  2. Vérifier que le cordon d'alimentation électrique est fixé à l'agrafe à l'arrière du compacteur.

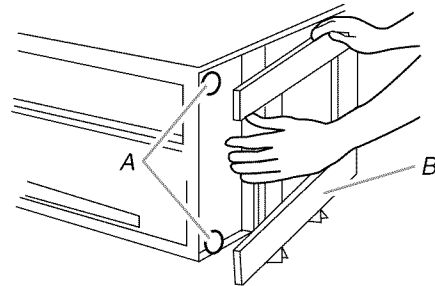


A. Agrafe du cordon d'alimentation

3. Placer les 2 cornières de protection sur le plancher, près du compacteur. Ouvrir le tiroir du compacteur et retirer tous les matériaux d'emballage ou autres articles expédiés dans le tiroir. Ne pas retirer le sac du compacteur. Saisir la poignée et soulever l'avant du tiroir pour le faire passer au-dessus des butées. Saisir les côtés du tiroir et soulever le tiroir pour le retirer du compacteur. Placer le tiroir sur les 2 poteaux corniers.



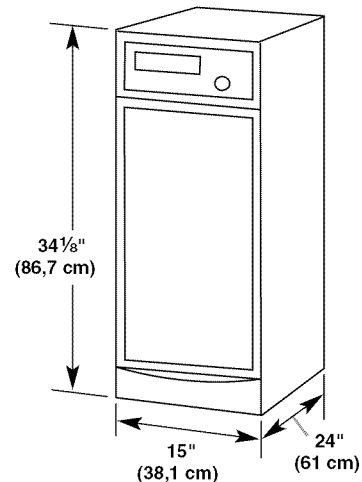
4. Placer les 2 autres cornières de protection sur le plancher, près du compacteur. Saisir les côtés de la caisse du compacteur et placer le compacteur sur le côté, sur les cornières de protection. Retirer la base placée au fond du compacteur avant l'expédition.



A. Pieds de nivellement  
B. Base d'expédition

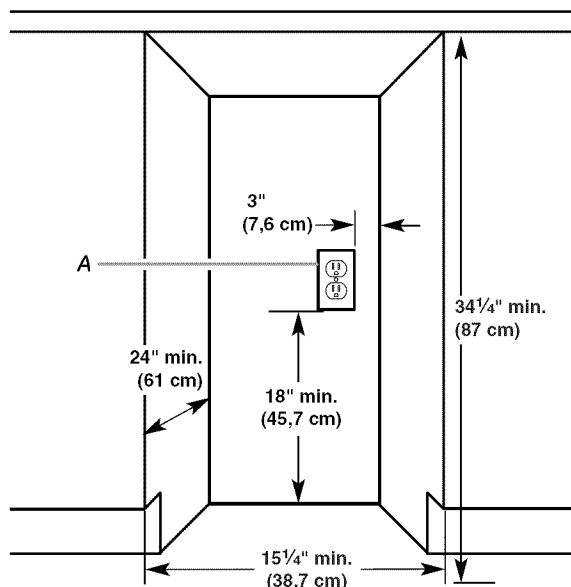
## Exigences d'emplacement

### Dimensions du produit



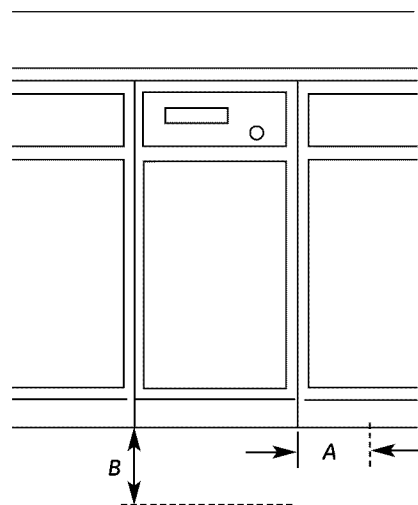


## Dimensions de l'encastrement



A. Prise électrique reliée à la terre qui doit être à une distance minimum de 3" (7,6 cm) des armoires voisines ou des murs latéraux tel qu'illustré. Elle peut être placée du côté droit ou du côté gauche du produit.

## Dimensions de dégagement



A. Laisser un espace libre de 6" (15,2 cm) du côté droit du compacteur pour extraire les sacs du compacteur.

B. Laisser un espace libre de 23" (58,4 cm) en avant du compacteur pour ouvrir complètement ou retirer le tiroir du compacteur.

## Spécifications électriques

### **⚠ AVERTISSEMENT**



#### Risque de choc électrique

**Brancher sur une prise à 3 alvéoles reliée à la terre.**

**Ne pas enlever la broche de liaison à la terre.**

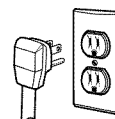
**Ne pas utiliser un adaptateur.**

**Ne pas utiliser un câble de rallonge.**

**Le non-respect de ces instructions peut causer un décès, un incendie ou un choc électrique.**

### Méthode recommandée de mise à la terre

Le compacteur est alimenté par un circuit de 115 V CA seulement monophasé, 60 Hz, 15 ou 20 A; le circuit doit être protégé par un fusible et convenablement relié à la terre par l'intermédiaire de la fiche de branchement avec broches de liaison à la terre (voir l'illustration ci-dessous). Il est préférable que cet appareil soit alimenté par un circuit distinct.



Le compacteur doit être relié à la terre lorsqu'il est utilisé pour réduire le risque de choc électrique. Le compacteur est équipé d'un cordon à trois conducteurs et d'une fiche à trois broches de liaison à la terre, pour convenir à la prise de courant appropriée reliée à la terre. Le conducteur vert (ou vert et jaune) dans le cordon est le fil de liaison à la terre. Ne pas connecter le fil vert (ou vert et jaune) à une borne active.

## Installation sous un comptoir

**REMARQUE :** C'est à l'utilisateur qu'incombe la responsabilité d'assurer une installation convenable. S'assurer d'avoir tout le nécessaire pour une installation correcte. C'est la responsabilité et l'obligation personnelle du client de contacter un installateur qualifié pour s'assurer que l'installation électrique répond aux codes et règlements nationaux et locaux.

### Outillage nécessaire :

Rassembler les outils et pièces nécessaires avant de commencer l'installation.

- Niveau
- Ruban à mesurer
- Pince
- Ciseaux
- Tournevis Phillips N°2
- Tournevis à lame plate
- Clé polygonale de 5/16"
- Couteau tout usage

### IMPORTANT :

- Ne pas saisir la console pour déplacer le compacteur.
- Faire glisser le compacteur sur le carton ou panneau en bois dur avant de déplacer le compacteur sur le plancher, pour empêcher d'endommager le revêtement de sol.
- Ne pas laisser le châssis arrière du compacteur toucher le revêtement de sol lorsqu'on soulève ou déplace le compacteur.

### Installation sous un comptoir

**REMARQUE :** La quincaillerie d'installation n'est pas fournie avec les modèles pour armoire complète.

1. Mesurer la hauteur de l'ouverture de l'armoire. Le sommet du compacteur devrait être à au moins 1/8" (3 mm) du sommet de l'ouverture de l'armoire.

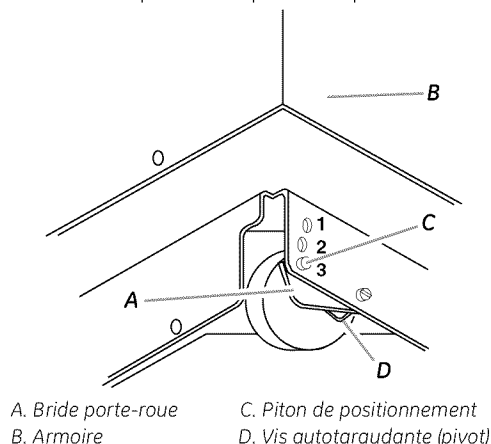
Les roues arrière sont pré-réglées pour l'ouverture d'une armoire d'une hauteur de 34 1/4" (87 cm) (Position 1).

### Ajustement pour d'autres hauteurs d'ouverture d'armoire :

- Desserrer la vis, juste assez pour pouvoir extraire le piton du trou de positionnement "1".
- Déplacer la roue arrière et le piton à la position "2" ou "3" au besoin, pour la mesure d'ouverture de l'armoire :  
Position 2 : 34 1/4" à 34 7/16" (87 à 87,5 cm)  
Position 3 : 34 7/16" à 34 5/8" (87,5 à 88 cm)

**REMARQUE :** Pour mettre l'appareil d'aplomb en position 3, vous devez peut-être ajouter des cales sous les pieds de nivellement.

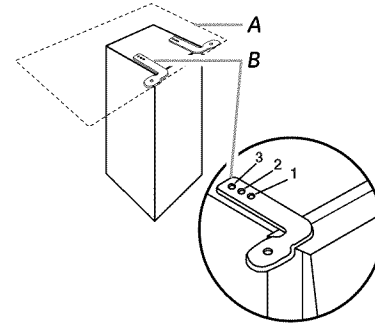
- Serrer la vis. Répéter ces opérations pour l'autre roue arrière.



2. Utiliser la pince pour abaisser les pieds de nivellement hors de l'armoire. Ajuster les pieds de sorte qu'il y ait un espace de 1/8" (3 mm) à 1/4" (6,4 mm) entre le sommet du compacteur et le sommet de l'ouverture de l'armoire. Placer le compacteur à la verticale.
3. Pour le modèle avec armoire, enlever les pitons en plastique du sommet de la caisse du compacteur.
4. Mettre le compacteur près de son emplacement définitif.
5. Brancher sur une prise reliée à la terre (à trois alvéoles).
6. Déterminer si vous voulez que le cadre du compacteur ou le devant du tiroir soit en affleurement avec le devant de l'armoire.

À l'aide des deux vis n° 8 de 18 x 5/16" (8 mm), installer les brides qui restent au sommet de la caisse au besoin :

- Si le châssis du compacteur doit être en affleurement avec l'avant de l'armoire, placer les vis de retenue de la bride dans les trous "1".
- Si le devant du tiroir du compacteur doit être en affleurement avec l'avant de l'armoire, placer les vis de retenue de la bride dans les trous "3".
- Si le compacteur doit être installé à une position intermédiaire entre "1" et "3", placer les vis de retenue de la bride dans le trou "2".



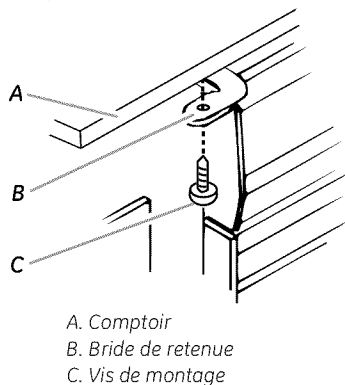
A. Comptoir  
B. Bride de retenue

7. Soulever lentement et légèrement le devant et faire rouler le compacteur dans l'ouverture de l'armoire.

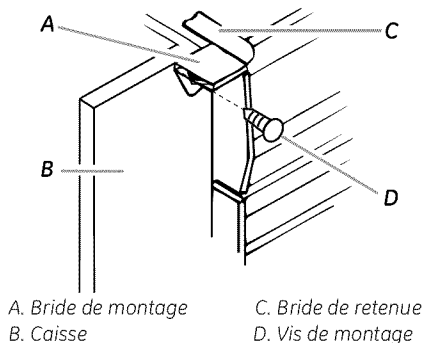
À l'aide des deux vis n° 8 - 18 x 1/2" (12 mm), fixer les brides de retenue au comptoir avec les vis de montage.

Si les brides ne peuvent pas être fixées au-dessous du comptoir, fixer les agrafes de montage aux brides. Fixer le compacteur à l'avant de l'armoire avec les vis dans les brides de montage.

## Installation sur comptoir



## Montage à l'avant de l'armoire



8. Saisir les côtés du tiroir du compacteur et placer le fond du tiroir dans les glissières. Soulever le tiroir par la poignée pour faire passer l'avant du tiroir au-dessus des butées. Fermer le tiroir. Vérifier qu'il est possible d'ouvrir facilement le tiroir. Si la pédale frotte contre le plancher, voir d'autres instructions à la section "Réglage de la pédale".

## Réglage de la pédale

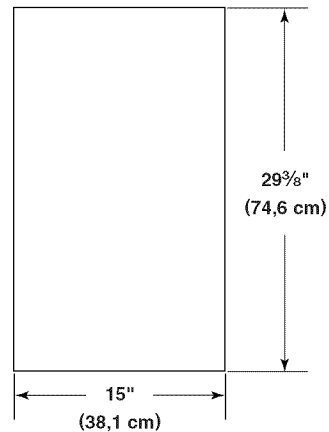
Si la pédale frotte contre le revêtement de sol, on peut modifier la hauteur de la pédale comme suit :

1. Marquer de chaque côté de la pédale la largeur du matériau qui cause le frottement sur le revêtement de sol.
2. Retirer le tiroir de l'appareil. (Voir l'étape 3 à la section "Déballage".)
3. À l'aide d'une règle et d'un crayon ou d'une craie, tracer une ligne entre les marques de chaque côté de la pédale.
4. À l'aide de ciseaux ou d'un couteau tout usage, découper la pédale le long de la ligne.
5. Réinstaller le tiroir. Si la pédale frotte toujours sur le revêtement de sol, répéter les étapes 1 à 4.

## Installation d'un panneau personnalisé

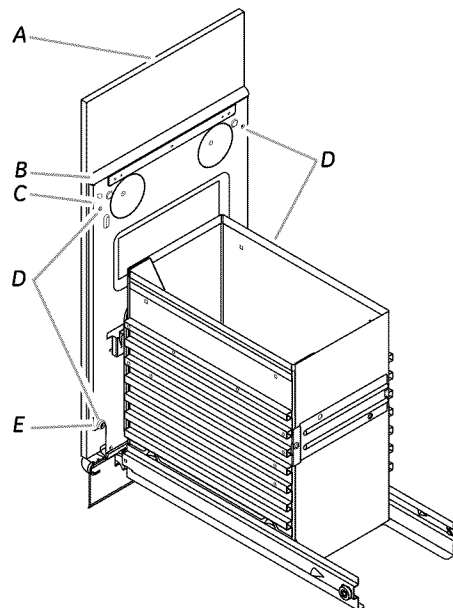
### Dimensions

Utiliser ces graphiques pour créer un panneau personnalisé à utiliser sans trousse de garniture. Le panneau doit mesurer  $\frac{1}{2}$ " (13 mm) d'épaisseur au minimum.



### Installation

1. Enlever les 2 butoirs en caoutchouc des coins en bas du côté intérieur de l'avant du tiroir. Garder les butoirs de côté et jeter les vis.
2. Aligner le bas du panneau personnalisé avec le bas de l'extérieur de l'avant du tiroir et placer le panneau sur l'appui.  
**REMARQUE :** Le bas du panneau personnalisé ne doit pas dépasser le bas de l'appui au centre inférieur de l'extérieur de l'avant du tiroir.
3. Fixer le panneau personnalisé à l'avant extérieur du tiroir en utilisant quatre vis de 1", à partir du côté intérieur de l'avant du tiroir.
  - Installer 2 vis à bois du haut comme à l'illustration.
  - Utiliser les 2 vis du bas pour réinstaller aussi les 2 butoirs en caoutchouc de chaque côté du côté intérieur de l'avant du tiroir tout en fixant le panneau personnalisé.
4. Fixer un quart de rond de 15" x 1/2" le long du rebord intérieur au haut de l'avant du tiroir en utilisant de la colle ou des vis.



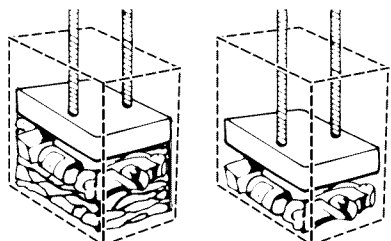
# UTILISATION DU COMPACTEUR

## Fonctionnement du compacteur

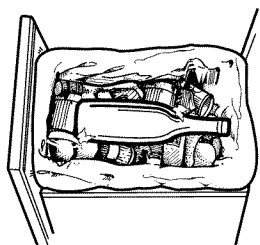
La presse de compactage est la partie du compacteur qui compresse les déchets. La presse de compactage ne descend pas jusqu'au fond du tiroir. Les premiers déchets chargés ne seront donc pas comprimés les premières fois que vous chargez le compacteur.

**REMARQUE :** Le tiroir du compacteur doit être rempli à plus de la moitié avant que le compacteur de déchets puisse commencer à compresser la charge.

Vous pouvez entendre un bruit lorsque le verre se brise. Des bouteilles en verre robuste peuvent ne pas se briser du tout. Les déchets dans un sac plein de compacteur occuperont environ le quart du volume original.



Charger les déchets volumineux, bouteilles et canettes au centre du tiroir. Les bouteilles ou les canettes qui n'ont pas été mises au centre du tiroir peuvent être coincées entre la presse et le tiroir. Le commutateur du tiroir peut détecter une "erreur de charge" et renvoyer la presse à la position "supérieure" sans qu'il y ait compactage.



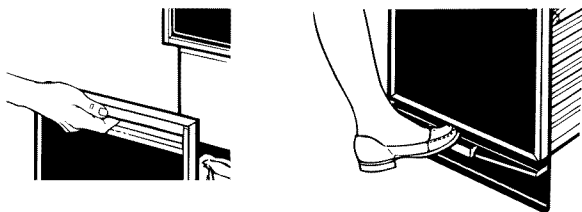
## Chargement

**IMPORTANT :** Ne pas enfoncer les articles dans le compacteur avec les pieds ou les mains.

**REMARQUE :** Vous ne verrez pas les déchets se faire presser les premières fois que vous chargerez le compacteur. Le tiroir du compacteur doit être environ à moitié rempli avant que le compacteur puisse commencer à presser la charge.

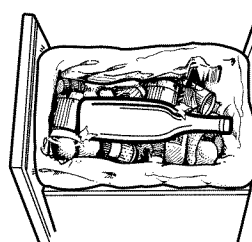
1. Ouvrir le tiroir. Soulever et tirer la poignée ou appuyer sur la pédale pour ouvrir le tiroir.

**REMARQUE :** L'appui sur la pédale ouvre le contenant de 3" à 6" (7,6 cm à 15,2 cm), selon la charge.



2. Placer les déchets dans le compacteur.

- Envelopper de papier ou recouvrir les déchets humides ou salissants.
- Ne pas mettre dans le compacteur des matières susceptibles de dégager des mauvaises odeurs, telles que de la viande crue, du poisson, des pelures de pamplemousse, des couches jetables ou des articles d'hygiène personnelle.
- Charger les bouteilles ou canettes sur le côté au centre du tiroir. Ne pas placer les bouteilles dans une position verticale.



3. Fermer le tiroir.

## Mise en marche du compacteur

1. Ouvrir le contenant - déposer les déchets.
2. Laisser le bouton à clé à la position ON (marche).
3. Régler l'interrupteur du programme Solid (compression solide) à OFF (arrêt).
4. Fermer le contenant.
5. SOULEVER la pédale pour METTRE le programme EN MARCHÉ.

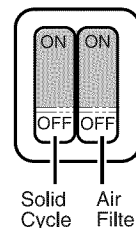
## Utilisation du programme Solid (compression solide) (Verrouillé)

Le programme Solid (verrouillé) prolonge l'utilisation du sac en exerçant une pression constante sur les déchets pour les empêcher de se décompresser. L'utilisation régulière du programme Solid peut accroître la capacité du sac jusqu'à 25 pour cent.

Durant le programme Solid, le bras de compression reste en position abaissée pour un compactage supplémentaire. Le tiroir est verrouillé et ne peut être ouvert quand le bras est abaissé.

Pour les meilleurs résultats, utiliser le programme Solid pendant des périodes d'au moins 30 minutes.

1. Ouvrir le contenant - déposer les déchets.
2. Régler l'interrupteur du programme Solid du compacteur sur ON (marche).



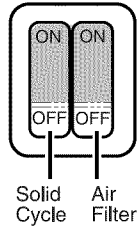
3. Fermer le contenant.
4. SOULEVER la pédale pour METTRE le programme EN MARCHÉ.
5. Le contenant reste VERROUILLÉ jusqu'à ce que l'on procède au RÉENCLANCHÉMENT en SOULEVANT la pédale.

## Utilisation du filtre à air

1. Régler l'interrupteur du filtre à air sur ON (marche). Le ventilateur crée un mouvement d'air dans le compacteur pour éliminer les odeurs.

**REMARQUE :** Le filtre à air au charbon fonctionne seulement lorsque le bouton à clé est à la position ON (marche)

2. Placez le commutateur de filtre à air à air à AU LOIN à arrêter le ventilateur.

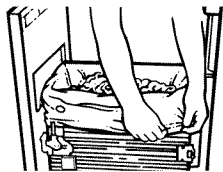


## Enlèvement d'un sac rempli

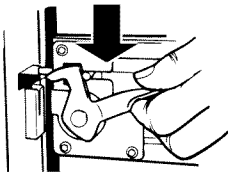
Lorsque les déchets sont comprimés jusqu'au sommet du tiroir, enlever le sac. Si le sac est trop lourd, comprimer moins de déchets la fois suivante.

**IMPORTANT :** Ne pas enfoncer les articles dans le compacteur avec les pieds ou les mains.

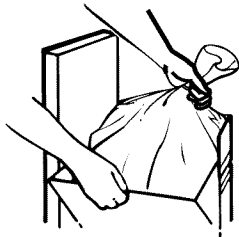
1. Tirer le tiroir pour l'ouvrir complètement.
2. Dégager le haut du sac des boutons de retenue du sac. Tirer vers le haut sur les 4 revers du sac. Fermer le sac avec les attaches fournies.



3. Abaisser le levier de verrouillage et incliner le côté du tiroir pour l'ouvrir.



4. Retirer le sac en le soulevant.



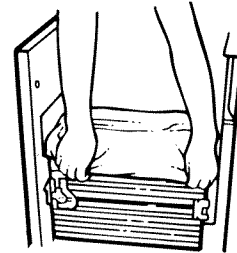
## Installation d'un nouveau sac

Ne pas utiliser d'autres sacs que ceux qui sont spécialement conçus pour être utilisés dans votre compacteur. Commander des sacs de remplacement pour le compacteur chez votre marchand local ou en composant le numéro **1-800-626-2002** (É.U.), **1-800-661-1616** (Canada).

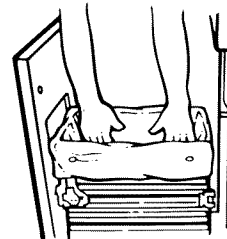
### IMPORTANT :

Avant d'installer un nouveau sac, s'assurer que :

- Le côté du tiroir est bien verrouillé.
  - Le contenant est propre et exempt de débris.
1. Placer le sac plié dans le tiroir. Ouvrir le sac et replier le bord supérieur du sac par-dessus le bord du tiroir.



2. Immobiliser le sac en engageant les 4 trous pré-perçés sur les boutons de retenue du sac. Les trous s'agrandiront sur les boutons sans endommager le sac.
3. Pousser l'intérieur du sac contre le fond du tiroir, les côtés et les coins du tiroir, pour qu'il s'adapte bien.



# ENTRETIEN DU COMPACTEUR

Votre nouveau compacteur est conçu pour vous donner de nombreuses années de service fiable. Toutefois vous avez quelques mesures à prendre pour bien maintenir le rendement de votre

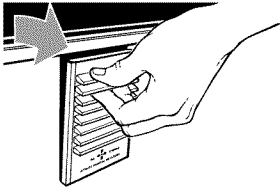
compacteur. Cette section vous expliquera comment nettoyer et prendre soin de votre compacteur.

## Changement du filtre à air

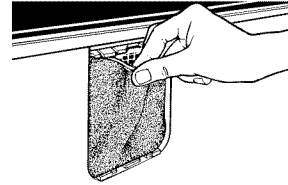
On recommande d'utiliser le filtre à air au charbon dans le compartiment du filtre.

Pour commander les bons filtres de rechange à charbon, composer le numéro **1-800-626-2002** (É.U.), **1-800-661-1616** (Canada).

1. Insérer le bout des doigts dans le couvercle du filtre à air et le tirer jusqu'à ce que les languettes latérales se déclenchent. Soulever le couvercle pour le dégager des languettes à la base.



2. Enlever le filtre à air en tirant sur le bord supérieur du filtre. Le filtre devrait sortir facilement. Jeter le filtre usagé.



3. Pour réinstaller le filtre à air, pousser le filtre de rechange en place.
4. Insérer les attaches à la base du couvercle du filtre à air et pousser jusqu'à ce que les languettes latérales s'enclenchent.

## Nettoyage

Avant de nettoyer le compacteur, tourner le bouton à clé (ou commutateur à clé) à OFF & LOCK (arrêt et verrouillage) et le retirer.

**REMARQUE :** Les services autres que les services décrits dans cette section doivent être exécutés par un représentant de service désigné.

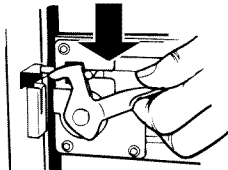
### Nettoyage des surfaces extérieures

1. Laver les surfaces extérieures (y compris l'acier inoxydable) avec une éponge propre ou un linge doux et un détergent doux dans de l'eau tiède. Ne pas utiliser de nettoyants abrasifs ou rugueux. Rincer et sécher à fond avec un chiffon doux.
2. Essuyer immédiatement les traces de renversement. Certains aliments peuvent endommager le fini s'ils sont laissés à la surface du compacteur à déchets.

### Nettoyage de l'intérieur du tiroir

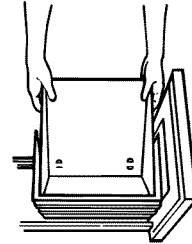
**REMARQUE :** Il est préférable de porter des gants car des petits débris de verre peuvent se trouver dans la caisse.

1. Enlever le sac. Voir la section "Enlèvement d'un sac rempli".
2. Appuyer sur le levier de verrouillage à bascule (ou le loquet de verrouillage sur le côté).



3. Maintenir le levier dans cette position et incliner le côté du tiroir jusqu'à ce que le loquet dépasse le devant du tiroir.

**REMARQUE :** Il est possible de retirer le côté du tiroir en l'inclinant vers l'extérieur, puis en le soulevant.



4. Laver l'intérieur du tiroir avec une éponge propre ou un linge doux et un détergent doux dans de l'eau tiède. Rincer et sécher à fond avec un chiffon doux.
5. Si le côté du tiroir a été enlevé, remettre le côté du tiroir en position inclinée.
6. Abaisser le levier (ou loquet de verrouillage sur le côté) tout en poussant sur le côté du tiroir pour le remettre en position verticale.
7. Verrouiller le côté du tiroir en poussant le levier (ou loquet de verrouillage sur le côté) vers le haut.

---

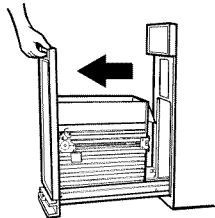
## Nettoyage de l'intérieur de la caisse

---

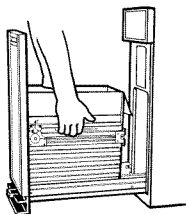
**REMARQUE :** Il est préférable de porter des gants car des petits débris de verre peuvent se trouver dans le tiroir.

1. Tirer le tiroir vers l'extérieur jusqu'à la butée.

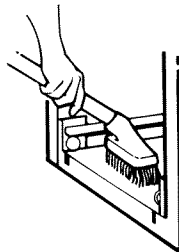
**REMARQUE :** Remarquer comment les roulettes du tiroir se déplacent dans les rainures. Il sera plus facile de replacer le tiroir lorsque vous aurez terminé le nettoyage.



2. Soulever le devant du tiroir pour franchir les butées.
3. Saisir les côtés du tiroir et le tirer jusqu'à ce qu'il sorte complètement. Le déposer délicatement.



4. Passer l'aspirateur à l'intérieur de la caisse. Les liquides renversés ou les déchets humides doivent être nettoyés à la main ou au moyen d'un aspirateur conçu pour aspirer les liquides.



5. Laver l'intérieur de la caisse avec une éponge propre ou un linge doux et un détergent doux dans de l'eau tiède. Rincer et sécher à fond avec un linge doux.
6. Pour replacer le tiroir, saisir les côtés du tiroir et insérer les roulettes du tiroir dans les rainures.
7. Soulever le devant du tiroir et le pousser complètement au-delà des butées.

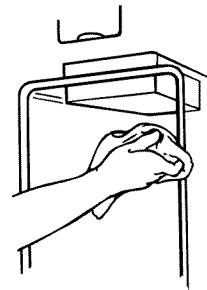
---

## Nettoyage de la presse

---

**REMARQUE :** Il est préférable de porter des gants car des petits débris de verre peuvent se trouver sur le revêtement de la presse.

1. Enlever les particules de verre en essuyant le revêtement de la presse avec un linge ou un essuie-tout.
2. Enlever les aliments avec une éponge propre ou un linge doux et un détergent dans de l'eau tiède. Rincer et sécher à fond avec un linge doux.



---

## Nettoyage avant des vacances

---

Si vous vous absentez pendant plus de quelques jours, enlever le sac du compacteur. Enlever le bouton à clé (ou commutateur à clé) et le remettre hors de la portée des enfants.

---

# DÉPANNAGE

Essayer d'abord les solutions suggérées ici; elles pourraient vous éviter le coût d'une visite de service.

---

## La presse ne compacte pas les déchets

---

- **Le tiroir est-il moins qu'à moitié rempli?**  
Le tiroir doit être rempli à plus de la moitié avant que les déchets soient pressés.

---

## Votre compacteur ne fonctionne pas

---

- **Le cordon d'alimentation est-il débranché?**  
Le brancher dans une prise de courant à 3 alvéoles reliée à la terre.
- **Un fusible est-il grillé ou le disjoncteur s'est-il déclenché?**  
Remplacer le fusible ou réenclencher le disjoncteur. Si le problème persiste, appeler un électricien.
- **Le tiroir est-il complètement fermé?**  
Bien fermer le tiroir et remettre de nouveau en marche le compacteur.
- **Le bouton à clé est-il tourné au complet à START (mise en marche)?**  
Tourner le bouton à clé (commutateur à clé) complètement à START (mise en marche) et le relâcher (sur certains modèles). Voir la section "Mise en marche du compacteur".
- **Avez-vous appuyé sur ON (marche) avant d'appuyer sur START (mise en marche)?**  
Appuyer sur ON (marche) avant d'appuyer sur START (sur certains modèles). Voir la section "Mise en marche du compacteur".

---

## Le tiroir ne s'ouvre pas

---

- **La presse est-elle complètement relevée?**  
Le tiroir s'ouvre seulement lorsque la presse est complètement relevée.

### **Pour relever la presse des modèles avec bouton à clé (ou commutateur à clé) :**

Tourner le bouton à clé (commutateur à clé) complètement à START (mise en marche) et le relâcher. Voir la section "Mise en marche du compacteur".

### **Pour relever la presse des modèles avec commandes à boutons-poussoirs :**

Appuyer sur OFF (arrêt) et ensuite appuyer sur ON (marche). Voir la section "Mise en marche du compacteur".

- **Le programme Solid (compression solide) est-il enclenché?** Le tiroir reste VERROUILLÉ jusqu'à ce qu'on le règle de nouveau en soulevant la pédale.

---

## Compression ou force insuffisante

---

- **Utilisez-vous assez souvent le programme de compression?**  
La compression donne le meilleur résultat lorsqu'on ne place que quelques articles à la fois.

---

## Les bouteilles ne se brisent pas

---

- **À quelle fréquence remarquez-vous cette situation?**  
Toutes les bouteilles ne se briseront pas chaque fois. L'épaisseur du verre d'une bouteille ainsi que la nature des déchets en dessous de celle-ci peuvent empêcher la bouteille de se briser.



**GARANTIE DE VOTRE COMPACTEUR**

**Agrafez votre reçu ou votre chèque annulé ici. La preuve de date d'achat original est nécessaire pour obtenir le service sous garantie.**

**CE QUI EST COUVERT**

À partir de la date d'achat original

**UN AN**

Toute pièce du compacteur qui présente un défaut de matériau ou de fabrication. Durant cette **garantie limitée de un an**, GE fournira aussi, **sans frais**, toute la main-d'œuvre et le service à domicile pour remplacer une pièce défectueuse.

.....

Cette garantie est offerte à l'acheteur original et à tout autre propriétaire suivant pour les produits achetés pour une utilisation résidentielle dans les 48 États continentaux, Hawaï, Washington (D.C.) ou au Canada. Si le produit est situé dans un endroit où le Service autorisé GE n'est pas offert, vous pourriez être tenu d'acquiescer des frais de transport ou d'apporter le produit à un dépôt de Service autorisé GE pour obtenir les réparations. En Alaska, la garantie est la même hormis le fait qu'elle est LIMITÉE puisque vous devez payer l'expédition du produit à l'atelier de service ou le coût du déplacement d'un technicien de service jusque chez vous.

Tout le service sous garantie est fourni par nos Centres de service en usine ou par un technicien de Customer Care® autorisé durant les heures normales de travail.

Si votre appareil doit être réparé durant la période de garantie ou après cette période, aux É.-U., composez le 800.444.1845. Veuillez fournir le numéro de série et le numéro de modèle lorsque vous appelez pour obtenir le service.

**CE QUI N'EST PAS COUVERT**

- Les déplacements de service jusqu'à votre domicile pour vous enseigner comment utiliser le produit.
- Mauvaise installation, livraison ou maintenance.
- Remplacement des fusibles résidentiels ou réinitialisation des disjoncteurs.
- Défaillance du produit suite à un abus, une mauvaise utilisation, une utilisation à des fins autres que celles prévues ou utilisation commerciale.
- Dommages au produit suite à un accident, incendie, inondations ou force majeure.
- Dommages fortuits ou indirects causés par des défauts possibles de l'appareil.
- Dommages après la livraison.
- Le service s'il est impossible d'avoir accès au produit pour ce faire.

**EXCLUSION DE GARANTIES IMPLICITES—Votre seul et unique recours consiste en la réparation du produit selon les dispositions de la présente garantie limitée. Toutes les garanties implicites, y compris les garanties de qualité marchande ou d'aptitude à un usage particulier, sont limitées à un an ou à la période la plus courte autorisée par la loi.**

Certains états n'acceptent pas l'exclusion ou la limitation des dommages fortuits ou indirects, de sorte que l'exclusion ou la limitation précédente peut ne pas s'appliquer dans votre cas. Cette garantie vous confère des droits juridiques précis et vous pourriez également jouir d'autres droits qui varient d'une juridiction à l'autre. Pour connaître vos droits juridiques dans votre état, consultez votre bureau des affaires aux consommateurs local ou d'État, ou l'avocat général de votre État.

**Garant : General Electric Company, Louisville, KY 40225.**

**Avec l'achat de votre nouvel appareil ménager vous recevez aussi l'assurance que si vous avez besoin d'information ou d'aide de GE, nous serons là pour vous. Vous n'avez qu'à composer le numéro sans frais!**

## GE Answer Center®

Aux É.-U. :  
800.626.2000

Quelle que soit votre question au sujet de tout gros appareil électroménager GE, le GE Answer Center® est disponible pour vous aider. Vous aurez une réponse à vos questions rapidement et de manière courtoise. Le GE Answer Center® est ouvert de 8 h à 22 h, du lundi au vendredi et de 8 h à 19 h le samedi.

OU

Visitez notre site Web à : [ge.com](http://ge.com) (É.U.), [ge.com/ca](http://ge.com/ca) (Canada)

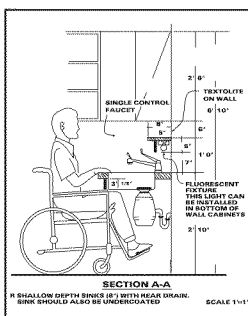
## Le service de réparation à domicile

Aux É.-U. :  
800.444.1845

Un professionnel du service à la clientèle GE vous fournira un service de réparation expert à un moment qui vous convient. De nombreux endroits gérés par GE Consumer Service vous offrent un service le jour même ou le lendemain ou selon ce qui vous convient (de 7 h à 19 h la semaine, de 9 h à 14 h le samedi). Nos techniciens formés en usines connaissent parfaitement votre appareil et ils peuvent donc s'occuper de la plupart des réparations en une seule visite.

## Pour les clients aux besoins spéciaux...

Aux É.-U. :  
800.626.2000



GE propose des commandes en braille pour toute une gamme d'appareils GE ainsi qu'une brochure pour aider à planifier une cuisine sans obstacle pour les personnes à mobilité limitée.

Les clients présentant une déficience auditive ou des difficultés d'élocution et qui ont accès à un ATME ou à un téléimprimeur traditionnel peuvent composer le 800.TDD.GEAC (800.833.4322) pour demander des renseignements ou des services.

## Contrats de service

Aux É.-U. :  
800.626.2224

Ne vous inquiétez pas non plus pour le service après l'expiration de votre garantie, GE Consumer Service sera encore là. Achetez un contrat de GE avant l'expiration de votre garantie et vous aurez un rabais important. Avec un contrat de plusieurs années, vous êtes assuré d'avoir les prix actuels pour le service à l'avenir.

## Pièces et accessoires

Aux É.-U. :  
800.626.2002

Les personnes qualifiées pour la réparation de leurs propres appareils peuvent faire envoyer directement les pièces ou les accessoires à leur résidence. Le système de pièces GE offre un accès à plus de 47 000 pièces et toutes les pièces de rechange authentiques de GE sont entièrement garanties.

Les instructions d'entretien de l'utilisateur dans ce manuel couvrent les procédures à effectuer par tout utilisateur. Tout autre entretien ou toute autre réparation doit être confié(e) à du personnel de service qualifié. La plus grande prudence s'impose car un mauvais entretien ou une mauvaise réparation pourrait provoquer un fonctionnement dangereux.

## Service Protection Plus™ de GE

GE, marque reconnue à travers le monde pour sa qualité et sa fiabilité, vous propose Service Protection Plus™, une protection complète pour tous vos appareils ménagers, quelle que soit la marque!

### Avantages :

- Service garanti par GE
- Toutes les marques couvertes
- Appels de service illimités
- Tous les coûts de pièces et de main-d'œuvre inclus
- Pas de dépenses à payer de votre poche
- Pas de franchise dissimulée
- Un seul numéro 800 à composer

Si vous n'êtes pas entièrement satisfait de notre protection, vous pouvez demander à être remboursé de la valeur résiduelle de votre contrat. On ne vous posera aucune question. C'est aussi simple que cela.

Protégez votre réfrigérateur, lave-vaisselle, laveuse, sécheuse, cuisinière, téléviseur, magnétoscope et plus encore, **quelle que soit la marque!** En plus, vous n'aurez aucun frais supplémentaire à payer en cas d'intervention d'urgence et un financement mensuel à taux faible est disponible. Même la couverture de votre machine à glaçons et la protection en cas de détérioration des aliments sont offertes. Vous pouvez avoir l'esprit tranquille, en sachant que tous vos appareils ménagers de valeur sont à l'abri de réparations onéreuses.

Accordez votre confiance à GE et composez le **800.626.2224** (numéro sans frais aux États-Unis) pour plus d'information.

\*Toutes les marques sont couvertes, pour des produits de 20 ans maximum, dans les États continentaux des États-Unis.



Insérer dans l'enveloppe et adresser à :

**General Electric Company**  
**Warranty Registration Department**  
**P.O. Box 34980**  
**Louisville, KY 40232-2150**

# Enregistrement du propriétaire du produit au consommateur

Chère cliente, cher client,  
Merci d'avoir acheté notre produit et merci de nous faire confiance.  
Nous sommes fiers de vous compter parmi nos clients!

Suivez ces trois étapes pour protéger votre investissement dans un nouvel appareil électroménager :

# 1

Veillez remplir et poster votre enregistrement de propriétaire du produit au consommateur dès aujourd'hui. Vous aurez l'esprit tranquille, sachant que nous pouvons vous contacter dans le cas fort peu probable d'une modification de sécurité.

# 2

Après avoir expédié l'enregistrement ci-dessous, conservez ce document en lieu sûr. Vous aurez besoin de ces renseignements pour tout service de réparation. Notre numéro de service est 800 GE CARES (800-432-2737).


# 3

Lisez attentivement votre **Manuel du propriétaire**. Il vous aidera à faire fonctionner correctement votre nouvel appareil.

Numéro de modèle

Numéro de série

**Important : Si vous n'avez pas reçu une carte d'enregistrement avec votre produit, découpez et retournez le formulaire ci-dessous pour veiller à ce que votre produit soit enregistré, ou enregistrez-le en ligne à [ge.com](http://ge.com).**

 Découper ici

## Enregistrement du propriétaire du produit au consommateur

Important  
Postez dès  
aujourd'hui !

Numéro de modèle

Numéro de série

M.  Mme  Mlle

Prénom  Nom de famille

Adresse

Apt. n°  Courriel\*

Ville  État/ province  Code/ Zip postal

Date d'installation Mois  Jour  Année  Numéro de téléphone --



**GE Consumer & Industrial Appliances**  
General Electric Company  
Louisville, KY 40225  
[ge.com](http://ge.com)

\* Veuillez communiquer votre adresse de courrier électronique afin de recevoir par courriel des réductions, offres spéciales et autres informations importantes de la part de GEA (GE Appliances).

Cochez ici si vous ne souhaitez pas recevoir d'informations ou de communication de la part des partenaires soigneusement sélectionnés de GEA.

**LE FAIT DE NE PAS REMPLIR ET RETOURNER CETTE CARTE N'ALTÈRE EN RIEN VOS DROITS DE GARANTIE.**

Pour plus d'information au sujet de la politique d'utilisation des données et de la protection de la vie privée de GEA, allez à [ge.com](http://ge.com) et cliquez sur "Politique sur la protection de la vie privée" ou appelez le 800.626.2224.

W10190338A

© 2008.  
All rights reserved.  
Tous droits réservés.

9/08  
Printed in U.S.A.  
Imprimé aux É.-U.