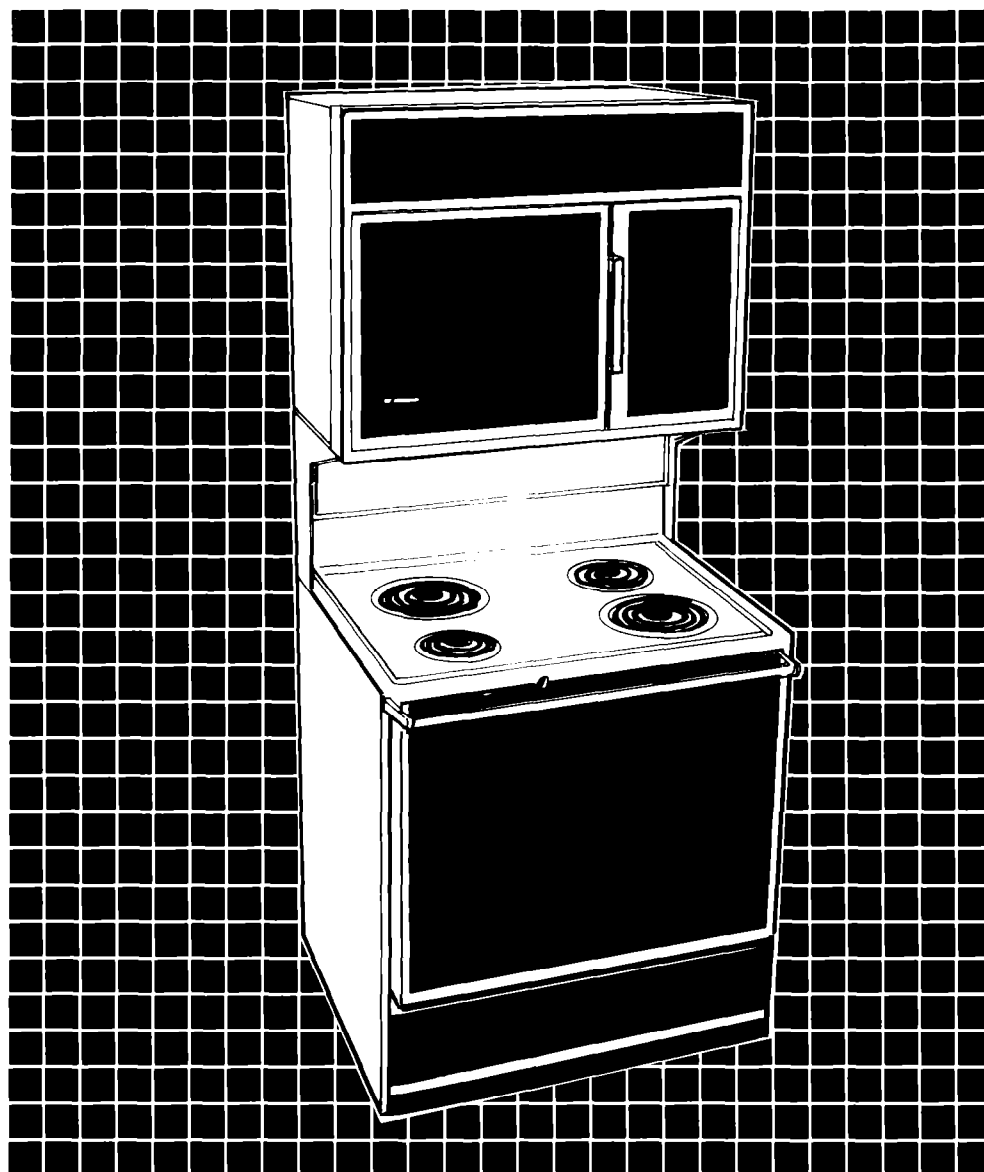


Installation Instructions



KitchenAid®

**Electric 30" Free-Standing
Eye-Level Combination
Microwave/Range**

1 *Before you begin*

Read these instructions completely and carefully. If followed, they will simplify the installation job.

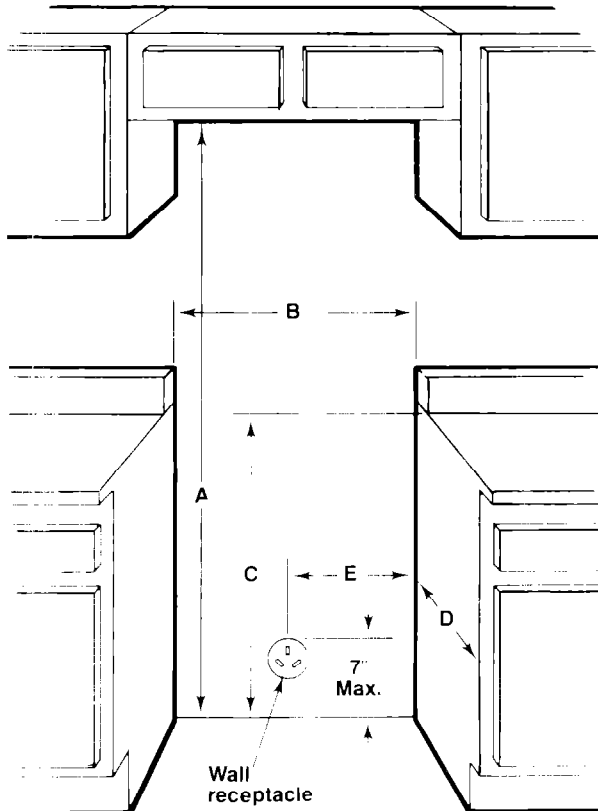
IMPORTANT:

Observe all governing codes and ordinances. Failure to follow these instructions could lead to fire or electrical shock hazard.

WARNING:

The microwave oven in this unit is designed for household use only. It must not be used for commercial purposes.

A. Space requirements



WARNING:

Reaching over heated surface elements causes risk of being burned. To eliminate hazard, cabinets should NOT be installed above range.

Precautions to avoid possible exposure to excessive microwave energy

Do not attempt to operate this oven with the door open since open-door operation can result in harmful exposure to microwave energy. It is important not to defeat or tamper with the safety interlocks.

Do not place any object between the oven front face and the door or allow soil or cleaner residue to accumulate on sealing surfaces.

Do not operate the oven if it is damaged. It is particularly important that the oven door close properly and that there is no damage to the:

1. Door (bent)
2. Hinges and latches (broken or loosened)
3. Door seals and sealing surfaces.

The oven should not be adjusted or repaired by anyone except properly qualified service personnel. The oven should be checked for microwave leakage by qualified service personnel after a repair is made. Do not operate the oven if the door glass is broken.

A = Height for eye-level microwave: 71⁷/₈" min.

B = Width between counters: 30³/₈" to 30¹/₂"

C = Height of countertop: 35⁵/₈" to 36¹³/₁₆"

D = Depth: 22¹/₂"

E = Pigtail receptacle location: 8" to 22" from either cabinet, 7" max. from floor.

To prevent discoloration of base cabinet, front of oven frame must extend at least 1/2" beyond front surface of cabinets.

Do not seal range to cabinets.

The copper power cord (pigtail) must run downward, left or right to the wall receptacle to avoid pinching the cord between rear portion of the range and wall.

Top of eye-level oven may be installed against bottom of overhead cabinet. However, for easy installation and removal, allow 1" clearance between hood top and cabinet.

The back of the range may be installed against a vertical wall. Sides may be installed against base cabinets or against vertical walls extending above upper edge of the cook top.

B. Check microwave for damage

Remove all packing material from the oven cavity. When unpacking the unit, check for damage such as misaligned door, damaged gaskets around the door, or dents inside the oven or on the exterior. If there is any damage, please do not operate the unit until it has been checked by an authorized KitchenAid trained service technician.

C. Electrical requirements

IMPORTANT:

Save these instructions for the local electrical inspector's use.

WARNING:

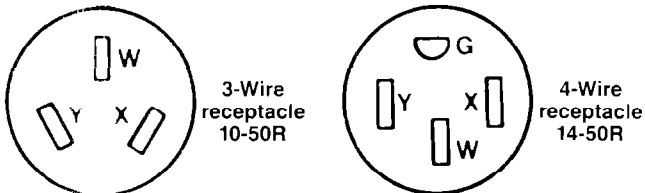
Do not plug the "pigtail" power cord into a live wall receptacle before cord is permanently connected to the terminal block.

1. This appliance must be connected to the proper electrical voltage and frequency as specified on the nameplate. All models require a separate 50 ampere circuit. Fuse both sides of the line. DO NOT fuse the neutral. A time-delay fuse or circuit breaker is recommended. Wire sizes must conform to the requirements of the National Electrical Code ANSI/NFPA 70-1987 and or local codes and ordinances. The nameplate is located on the front frame behind the microwave door.
2. All wires ending at the appliance must terminate in ring type terminals.
3. All power cords and cables to appliance must be fitted with a UL approved strain relief.
4. The range should be connected with copper wire only. Aluminum wire requires special connectors. Improper use may create a fire hazard.
5. Appliance may be connected directly to the fused disconnect (or circuit breaker) box through flexible armored or non-metallic sheathed copper cable. Do not use an extension cord. Allow 4 feet (min.) slack so appliance can be moved for servicing. Wire sizes must conform to the ampere rating of the range. See paragraph C-1 above.

6. **WARNING:** The terminal block on this appliance accepts copper wire only, not aluminum. If aluminum house wiring must be connected, use one of the following procedures:

- Connect copper wire to the range terminal block (using ring terminals).
- Attach special ring connectors to the aluminum house wiring that are UL listed and designed for joining copper to aluminum. These special ring connectors (available at electrical supply houses) can be attached directly to the range terminal block.
- The connectors must conform to the ampere rating of the range as stated in paragraph C-1.

7. If local codes permit, your range may be connected with a 3-wire flexible type, UL listed "pigtail" power cord of the proper ampere rating. * Plug must match a 3-wire NEMA type 10-50R receptacle (shown below).



8. **CAUTION:** For mobile home use, a 4-wire power cord must be used. This appliance is manufactured with ground connected to frame. This must be revised so green ground wire of 4-wire power cord is connected to frame.

If using a 4-wire NEMA type 14-50R receptacle (shown above) you must use a matching 4-wire UL listed "pigtail" power cord. Cord should be type SRD or SRDT, at least 4 feet long with all conductors ending in ring terminals at the appliance.

Minimum conductor size... (4-wire copper power cord)

50 ampere circuits: two No. 6 conductors, one No. 8 neutral and one No. 6 green ground.

***CAUTION:** Power Cord Requirements – Only a power supply cord kit rated at 240 volts, 50 amperes and investigated for use with ranges shall be used.

D. Venting requirements

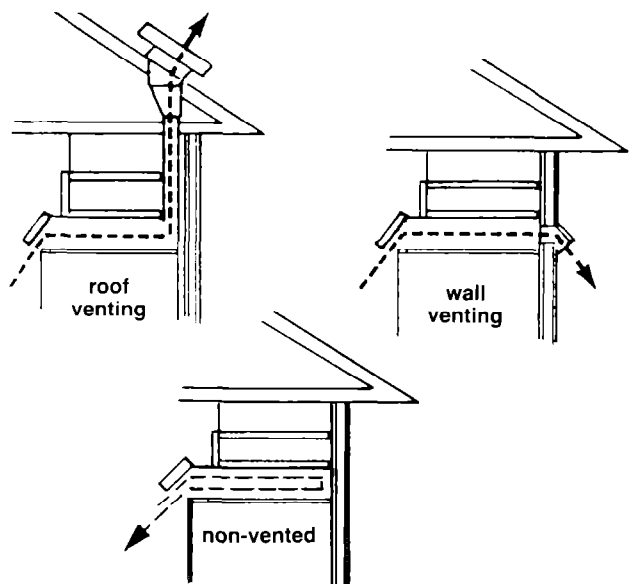
This product is designed for either a non-vent (recirculating) or an external vent. Determine which method needs to be used.

Ductwork needed for installation is not included. Wall or roofcaps used must have back-draft damper.

WARNING: External venting must terminate to the outside. Do Not terminate the vent in the attic or other enclosed space. This may result in a fire hazard.

The length of ductwork and number of elbows should be kept to a minimum to provide efficient performance. Ductwork can terminate either through the roof or wall. Figures 1-3 show common venting methods and what types of materials are needed. Use caulking to seal exterior wall or roof opening around exhaust hood.

All components for non-venting (recirculating) are included with this product. See further instructions on Page 6, Section 4, "Begin Venting."



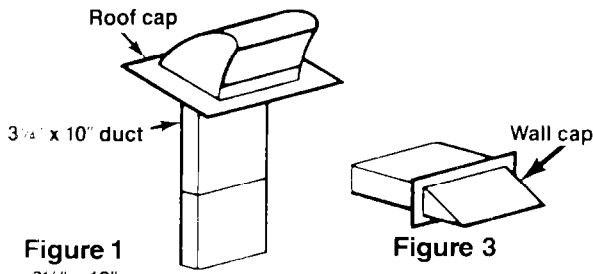


Figure 1
3 1/4" x 10"
through the roof

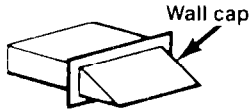


Figure 3
3 1/4" x 10"
through the wall

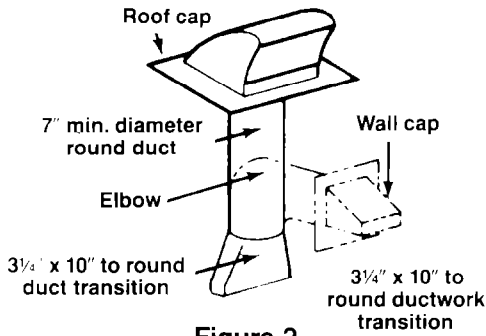
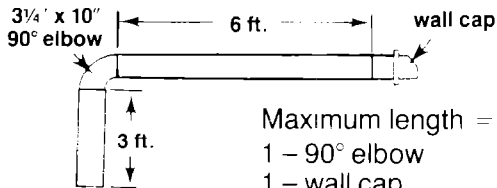


Figure 2

Recommended duct length

Use 3 1/4" x 10" or 6" duct with a maximum length of 26 feet for duct system. For best performance use no more than three 90° elbows. To calculate the length of system you need add the equivalent feet for each duct piece used in the system. See the following example.

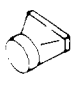



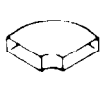

3 1/4" x 10" duct system



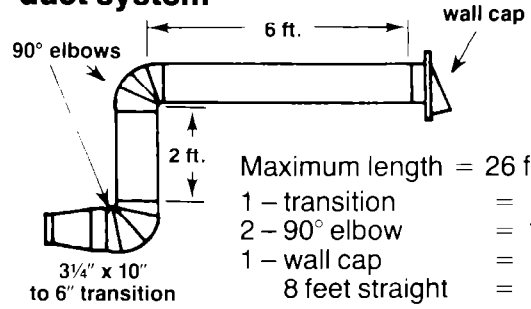
Maximum length = 26 feet.
 1 – 90° elbow = 5 ft.
 1 – wall cap = 0 ft.
 9 feet straight = 9 ft.

Length of
 3 1/4" x 10" system = 14 ft.

Recommended standard fittings

 3 1/4" x 10" to 6" = 4.5 ft.	 6" to 3 1/4" x 10" 90° elbow = 6 ft.	 6" to 3 1/4" x 10" = 1 ft.
 3 1/4" x 10" 90° elbow = 5 ft.	 3 1/4" x 10" flat elbow = 12 ft.	 3 1/4" x 10" wall cap = 0 ft.

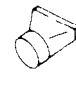
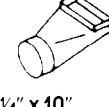


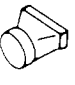


6" duct system



Maximum length = 26 feet.
 1 – transition = 4.5 ft.
 2 – 90° elbow = 10 ft.
 1 – wall cap = 0 ft.
 8 feet straight = 8 ft.

Length of 6" system = 22.5 ft.

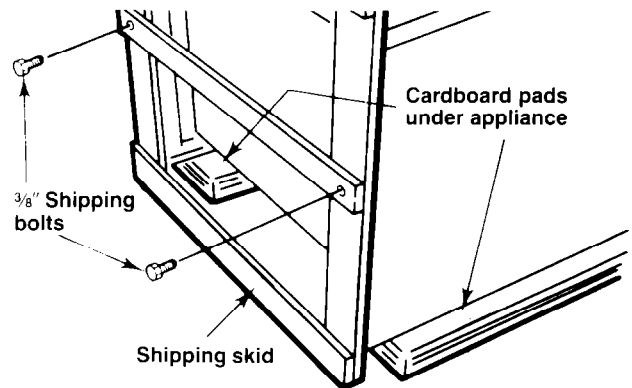
Recommended standard fittings

 3 1/4" x 10" to 6" = 4.5 ft.	 3 1/4" x 10" to 6" 90° elbow = 5 ft.	 6" to 3 1/4" x 10" to 90° = 9 ft.	
 90° elbow = 5 ft.	 6" to 3 1/4" x 10" = 1 ft.	 45° elbow = 2.5 ft.	 6" wall cap = 0 ft.

2 Begin the installation

Remove racks and all other contents from oven before moving appliance. Be sure to remove all packaging material (cardboard, protective film, etc.) from range before use.

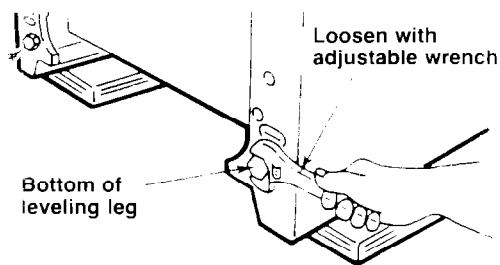
A. Remove shipping skid



Remove the 4 cardboard pads from shipping box. Place them on floor as shown to protect appliance's finish. Rest appliance (on its back) on pads.

Remove the two 3/8" shipping bolts from wooden skid. Discard the skid.

B. Extend leveling legs



Once skid is removed, 4 leveling legs are exposed at bottom of frame.

Loosen legs by applying an adjustable wrench to the bottom of the leveling legs. Back each of them out about 4 complete turns.

Stand appliance on its base

3 *Begin electrical connection*

Grounding Instructions

WARNING:

This appliance must be connected to a grounded, metallic, permanent wiring system, or an equipment grounding conductor should be run with the circuit conductors and connected to the equipment grounding terminal or lead on the appliance.

WARNING:

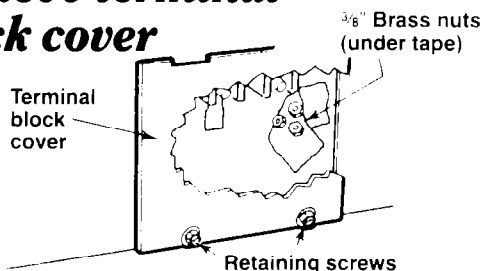
It is customer's responsibility:

- To contact a qualified electrical installer.
- To assure that electrical installation is adequate and in conformance with national electrical code and local code ordinances.

WARNING:

To prevent electrical shock, disconnect power at fuse box or circuit breaker before connecting flexible armored cable for permanent wiring.

A. Remove terminal block cover



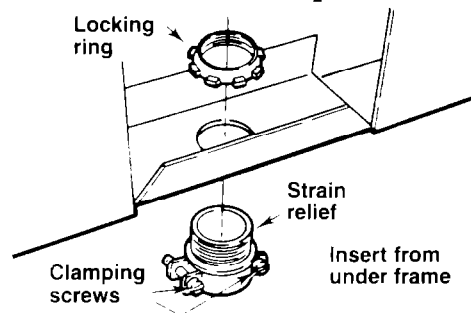
Terminal block cover is located on back of the appliance near the bottom.

Remove retaining screws to expose electrical terminal block.

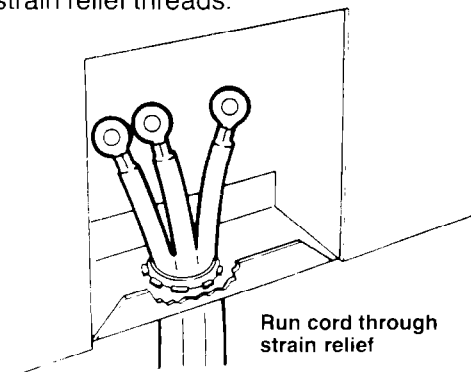
Use only the supplied $\frac{3}{8}$ " brass nuts when connecting cord.

Use only ring-type terminals to connect cord.

B. Strain relief required

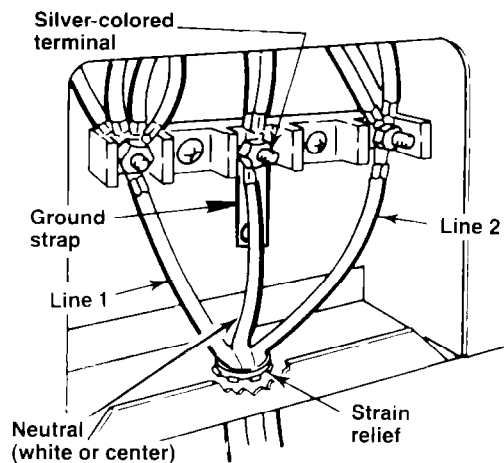


Disconnect clamping ring from strain relief. Push strain relief (from bottom) through hole beneath terminal block. Tighten clamping ring (from above) onto strain relief threads.



Run cord or cable through strain relief. Leave enough slack to attach ring-type terminals to terminal block. Tighten clamping screws.

C. If frame grounding is allowed



Use this wiring method **ONLY** if local codes permit connecting frame grounding conductor to neutral wire of power cord.

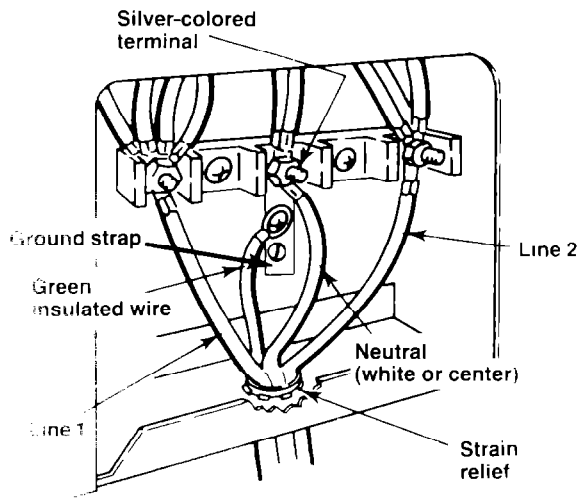
This appliance is manufactured with neutral terminal connected to the frame.

If local codes do not permit grounding through the neutral, the 3-conductor cord or cable assembly must be replaced by a 4-conductor cord. The replacement cord must be rated 240 volts, 50 amperes and investigated for use with ranges.

1. Connect neutral wire to the center silver-colored terminal.

2. Connect remaining 2 wires to the terminals on either side of the silver-colored terminal.
3. Use ring-type terminals only. Connect with the brass nuts that are taped to the frame. Do not loosen factory installed nuts already on the terminal.

D. 4-wire electrical connections



Use this wiring method for mobile homes and whenever a 4-wire installation is required.

1. Remove the grounding strap screw from the range frame. Keep this grounding screw. Bend up the grounding strap so that it does not contact the range frame.
2. Connect the green grounding wire to the frame of the appliance with the grounding screw, using the hole in the frame where the grounding strap was removed.
3. Connect the white neutral wire of the power cord to the silver-colored terminal of the terminal block. Connect the remaining wires to the outer terminals.
4. Replace the terminal block cover.

4 Begin venting

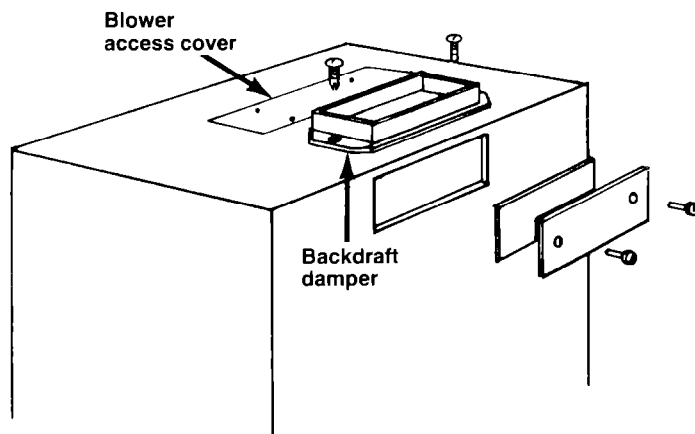
Determine which venting system is needed. See Venting Requirements.

A. Non-venting instructions

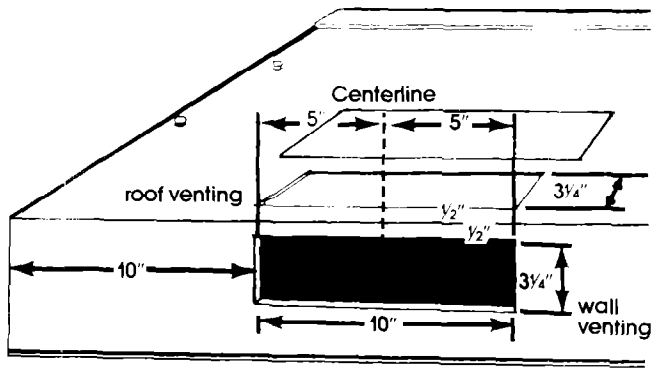
This appliance is manufactured for external venting. If non-venting (recirculating) is desired, follow these instructions before installation of product.

1. Remove and save the two back-draft damper screws. Remove back-draft damper from top of unit.
2. Replace back-draft damper with one of the exhaust covers (There are 2 located on the back of the unit). using the two damper screws.
3. Remove four screws securing plate labeled "Blower Access Cover" on the top of the product.
4. Lift "Blower Access Cover" (blower motor is attached and weighs about 7 pounds) high enough above the top of unit to rotate it 180 degrees so that the air flow arrows on the label point toward the front of the unit.
5. Lower the "Blower Access Cover" back into place and reattach to top using the four "Blower Access Cover" screws.

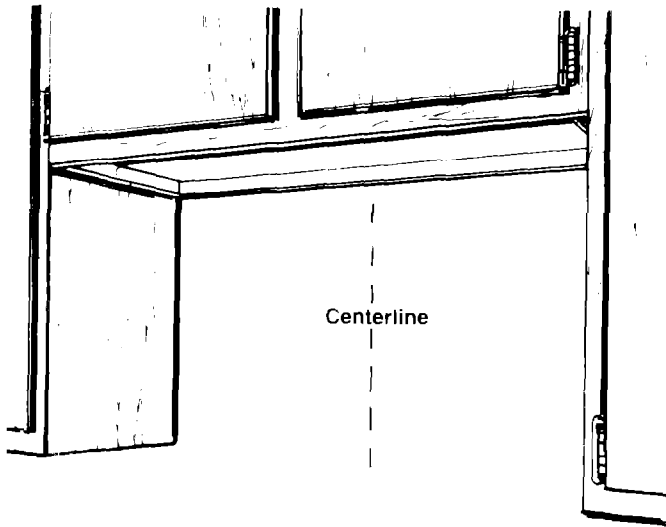
Note: The Charcoal Filter Pads required for non-vented installations are attached to vent grills.



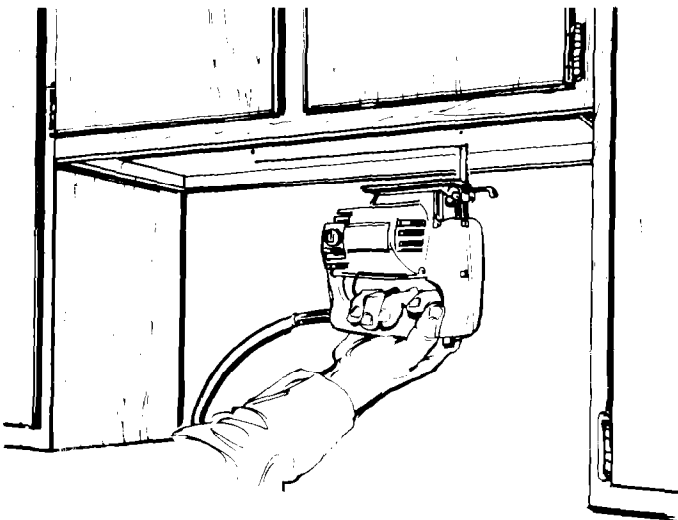
B. External venting instructions



1. Remove cover from appropriate vent opening in hood (roof or wall venting).



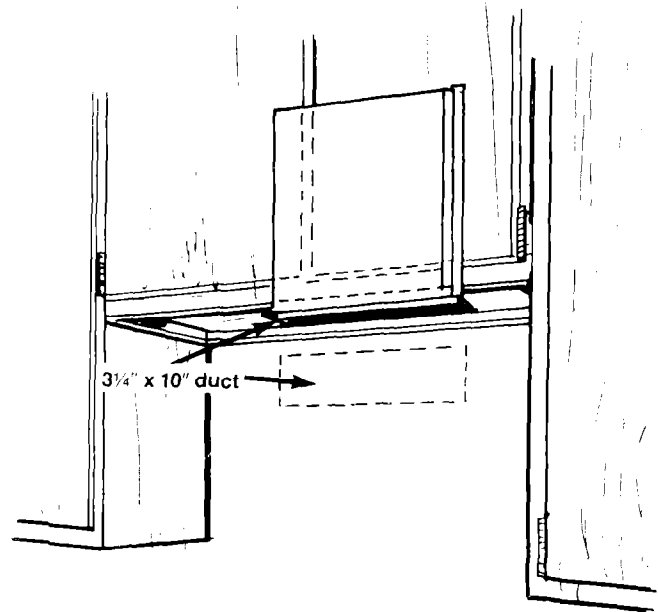
2. Determine and clearly mark a vertical line in the area the vent opening will be made.



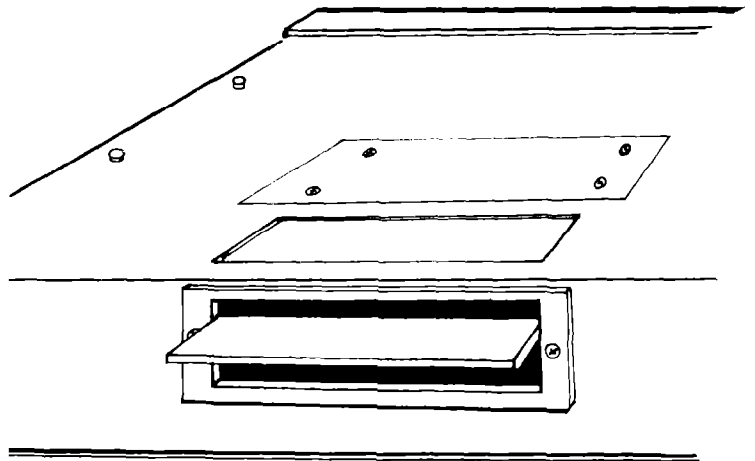
3. To vent through the roof, mark on the underside of the cabinet $1\frac{1}{2}$ " in from back wall. Measure and mark a line 5" to right and left of the centerline. Then measure $3\frac{1}{4}$ " towards the front of the cabinet and mark another line as before. Use a saber saw to cut a rectangular opening for

ductwork. The opening must be large enough to fit $3\frac{1}{4}$ " x 10" duct system.

To vent through the wall, measure from the floor 71" and $67\frac{3}{4}$ " and mark on the back wall. Measure and mark a line 5" to right and left of the centerline at both heights. Use a saber saw to cut a rectangular opening for ductwork. The opening must be large enough to fit $3\frac{1}{4}$ " x 10" duct system.

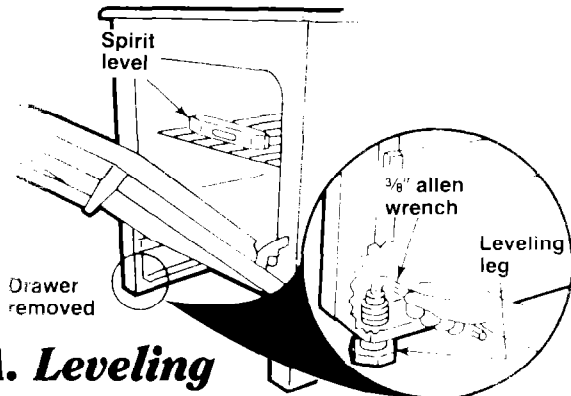


4. Install duct through the vent opening in the upper cabinet or wall. Complete the venting system according to the method needed. See Venting requirements. Use caulking to seal exterior wall or roof opening around exhaust hood.



5. Attach damper to selected vent opening. If damper is attached to the back of hood, be sure damper hinge is toward the top.

5 *Level and position the range*



A. Leveling

Move range into final operating position. Use caution when moving this appliance to prevent damage to floor coverings. The weight of the appliance may cause ripping, scratching or other damage to the floor. For best results, slide appliance onto cardboard or hardboard before moving to prevent damage.

Place rack in oven. Put spirit level on rack. If range needs leveling, remove oven drawer. The tops of leveling legs will be exposed as shown.

Use a $\frac{3}{8}$ " allen wrench to raise or lower legs as needed.

IMPORTANT:

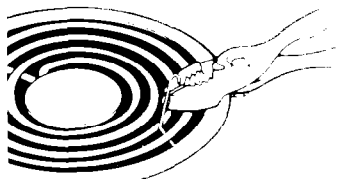
Oven must be properly leveled for satisfactory baking conditions.

B. Remove shipping clips

(If open-coil element)

Each of the 4 elements is secured by a shipping clip.

Using a screwdriver or pliers, bend upper part of the clip to vertical position. Slide clip out and discard it.

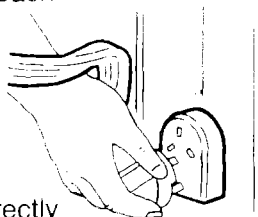


C. Complete electrical connection

Remove oven utility drawer. Reach to the rear of the appliance and plug the flexible pigtail into the approved receptacle (if allowed by local codes).

OR

Connect flexible armored or non-metallic shielded cable directly to fused disconnect box.



6 *Check operation*

WARNING:

Do not touch any heating elements. They may be hot and you may be burned.

A. Surface elements

Turn on each of the 4 surface elements. Check to be certain they heat and check for proper operation of surface indicator light(s).

B. Oven elements

BAKE – Set selector switch on BAKE. Turn thermostat to 350° BAKE. The bottom element should glow red and indicator light should be on. The upper element should become hot but NOT glow red.

BROIL – Set selector switch on BROIL. Turn thermostat to high. The top element should glow red and indicator light should be on.

C. Rotisserie (Optional)

If you would like a rotisserie for your oven, you can order a Kit RCK-79 (Part No. 261881) from your KitchenAid® dealer. The kit includes easy installation instructions.

D. Clock (If so equipped)

Refer to operating instructions in the Use and Care Guide (packed in the utility drawer).

E. Cleaning

See the Use and Care Guide (packed in the utility drawer) for proper care and cleaning instructions.

7 *Before you call for service...*

See the Use and Care Guide for trouble-shooting checklist.

Be sure pigtail power cord is plugged in.

Check for blown fuses or tripped circuit breaker.

If you must call for service...

You will need the appliance model and serial number.

Find the serial plate on the front frame behind the microwave oven door.