

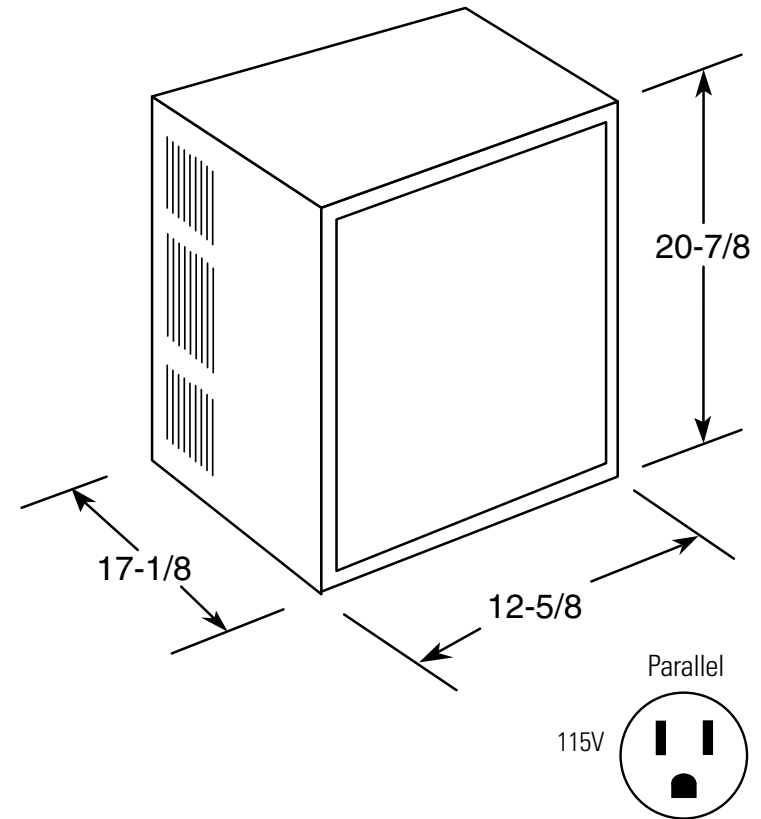
AHG50LJ

GE® ENERGY STAR® Dehumidifier

Dimensions and Installation Information (in inches)

Wall Outlets: All wiring including installation of receptacle must be made in accordance with local electrical codes and regulations. Electrical outlet should be in reach of line cord.

Note: Aluminum wiring may pose special problems – consult a qualified electrician.



For answers to your Monogram®, GE Profile™ or GE® appliance questions, visit our website at ge.com or call GE Answer Center® service, 800.626.2000.



Total volume and shelf area are calculated by the Association of Home Appliance Manufacturers' standards.



Listed by Underwriters Laboratories



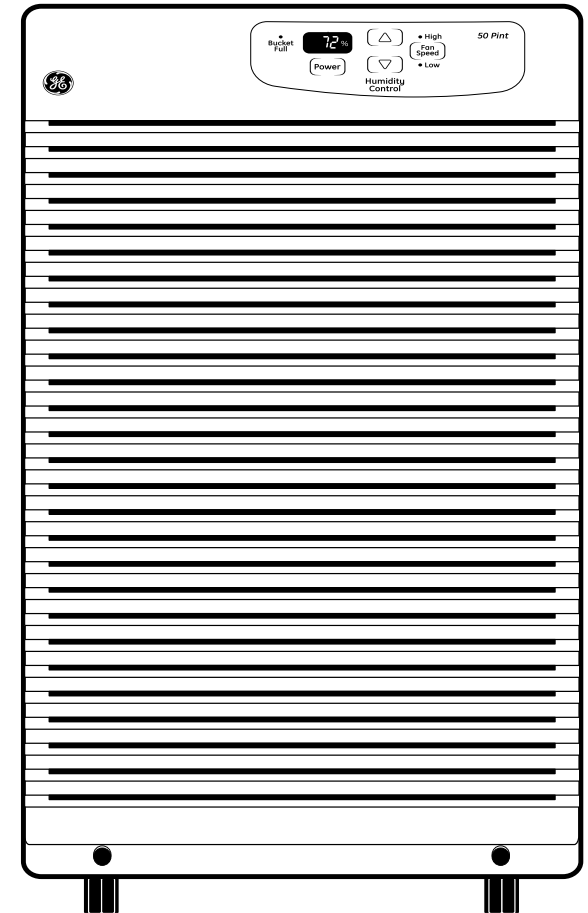
As an ENERGY STAR® partner, GE has determined that this product meets the ENERGY STAR guidelines for energy efficiency.

AHG50LJ

GE® ENERGY STAR® Dehumidifier

Features and Benefits

- 50 Dehumidification Pints Per Day
- 125/115 CFM Indoor Fan (High/Low)
- 21 Pint Bucket Capacity
- 115 Volts
- 2 Fan Speeds Selections
- Removable Bucket
- Electronic Controls
- Water “Full” Indicator Light
- Automatic Humidistat
- Automatic Shut-Off System
- Model AHG50LJ



As an ENERGY STAR® partner, GE has determined that this product meets the ENERGY STAR guidelines for energy efficiency.