



# Electric Built-in Cooktop

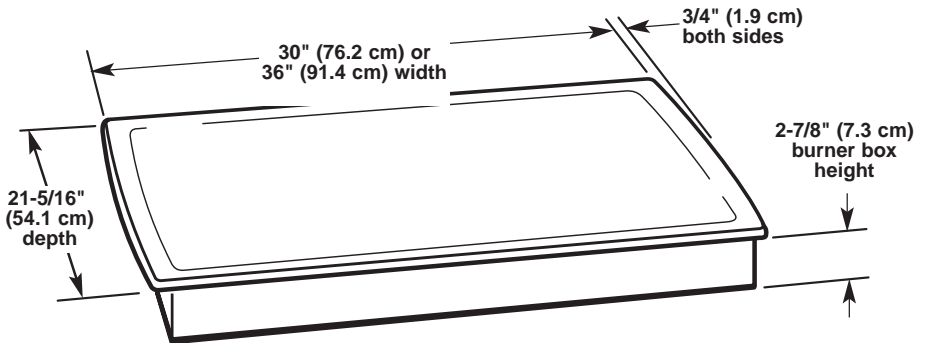
## PRODUCT MODEL NUMBERS

GJC3034H	RCC3024G
GJC3034L	RCC3024K
GJC3634H	RCC3024L
GJC3634L	

### Electrical:

**240-volt cooktop:** A three-wire or four-wire, single phase, 240-volt, 60-Hz, AC-only electrical supply is required on a separate, 40-ampere circuit, 8-gauge wire, fused on both sides of the line. Use copper wire only. A time-delay fuse or circuit breaker is recommended.

## OVERALL DIMENSIONS



## CABINET OPENING DIMENSIONS

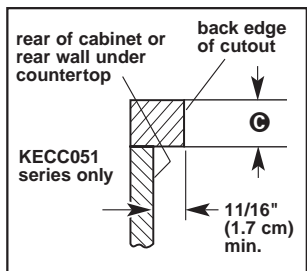


Illustration dimensions			
Cooktop width	A	B	C
15" (38.1 cm)	14-1/2" (36.6 cm)	15" (38.1 cm)	1-1/2" max (3.8 cm)
30" (76.2 cm)	29-1/2" (75 cm)	30" (76.2 cm)	—
36" (91.4 cm)	35-1/2" (90.2 cm)	36" (91.4 cm)	—

### Important note on base cabinet construction:

After making the countertop cutout, some installations may require notching down the base cabinet side walls to clear the burner box. To avoid this modification, use a base cabinet having sidewalls wider than the cutout.

**Note:** If cabinet has a drawer, a 3" (7.5 cm) depth clearance from the countertop to the top of the drawer (or other obstruction) in base cabinet is required.

