

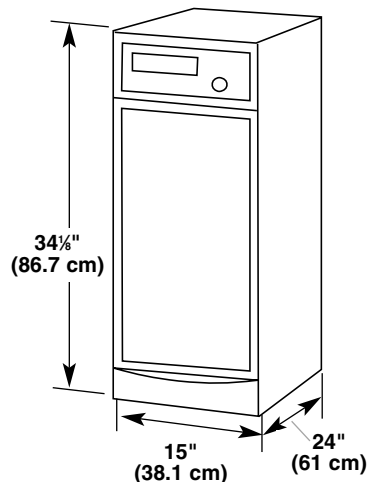
KitchenAid® Compactor

PRODUCT MODEL NUMBERS

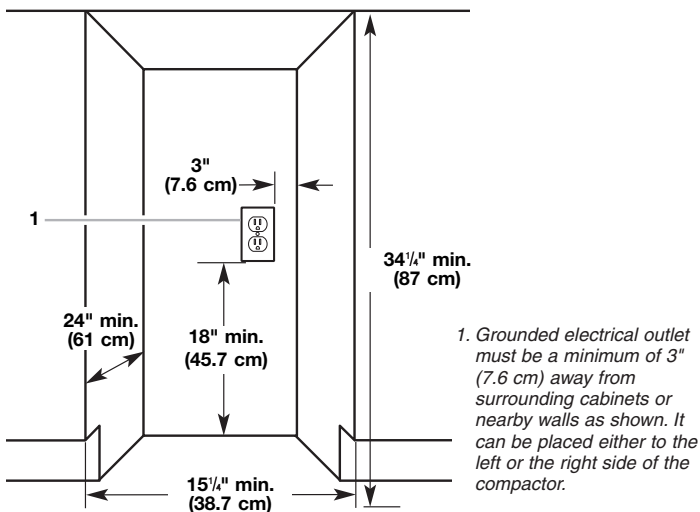
KUCC151L KUCV151M
KUCS02FR

Electrical: 115-volt, 60-Hz, AC-only, 15- or 20-amp grounded circuit is required. A time-delay fuse or circuit breaker and separate circuit is recommended.

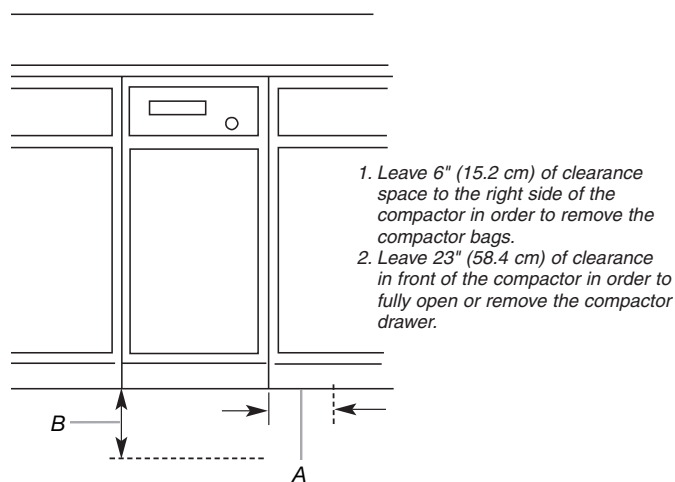
OVERALL DIMENSIONS



CABINET OPENING DIMENSIONS

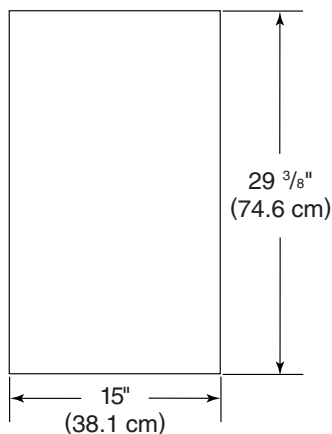


CLEARANCE DIMENSIONS



CUSTOM PANEL

Trimless panel without handles



Panel should be a minimum of 1/2" (13mm) thick.