

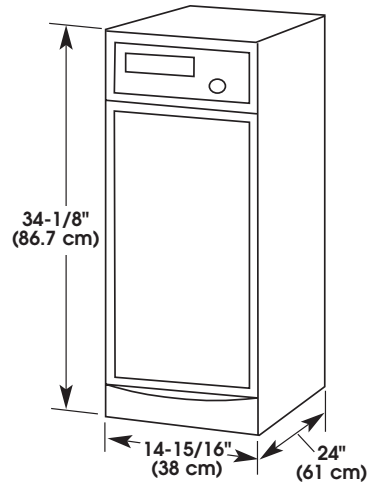
KitchenAid® Compactor

PRODUCT MODEL NUMBERS

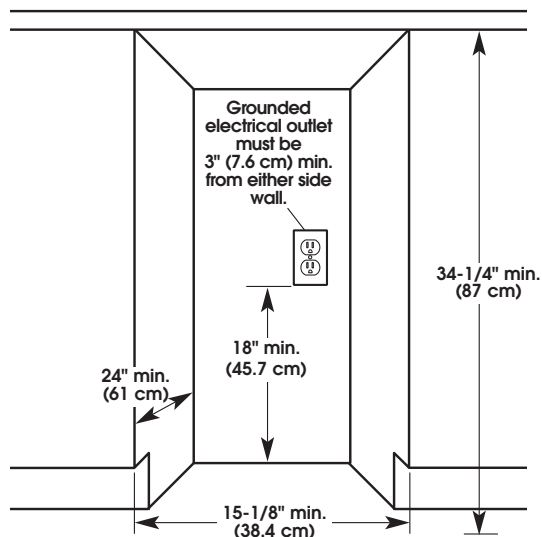
KCCC151E
KUCC151G

Electrical: 115-volt, 60-Hz, AC-only, 15- or 20-amp. grounded circuit is required. A time-delay fuse or circuit breaker and separate circuit is recommended.

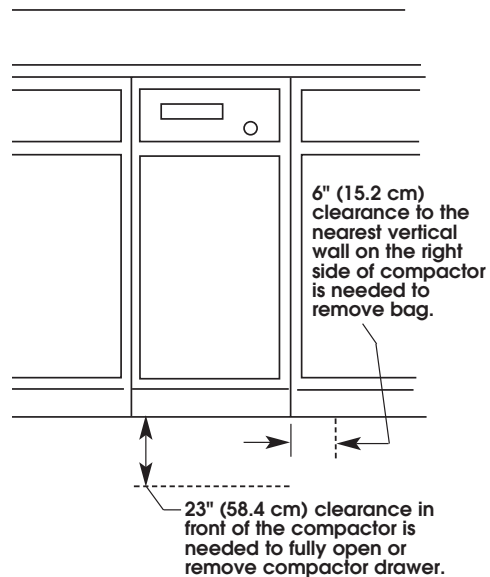
OVERALL DIMENSIONS



CABINET OPENING DIMENSIONS

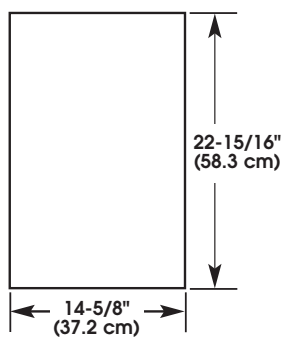


CLEARANCE DIMENSIONS



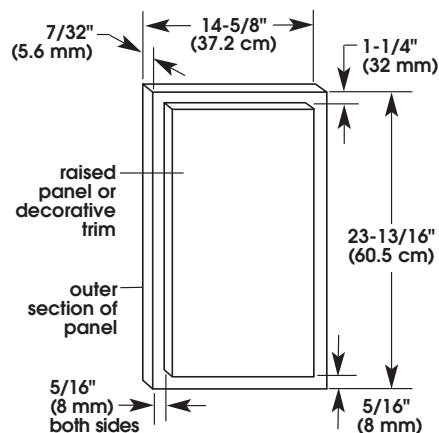
CUSTOM PANELS

Flat panel



A 7/32" (5.6 mm) thick panel is required. This is the same thickness as a standard 1/4" plywood or paneling.

Raised panel



The outer section of panel must be 7/32" (5.6 mm) thick to fit into trim. Raised decorative trim or raised panel sections must be 5/16" (8 mm) from the side and bottom edges and 25/32" (20 mm) from the top edge of the outer section.