



Downdraft Vent Systems

Safety Instructions2, 3, 7

Operating Instructions

Cooking Tips5
Raise/Lower Switch4
Using the Cooktop4
Using the Downdraft System .. .4

Care and Cleaning

Grease Filters5
Painted or Metal Surfaces5
Stainless Steel Surfaces5

Installation Instructions

Advance Planning8, 9
Before You Begin6
30" Cooktop/Downdraft
Unit JVB3710
36" Cooktop/Downdraft
Unit JVB6711
Dimensions and Clearances .7, 8
Ductwork8, 13, 15
Electrical and Gas Location ...8
Installation Possibilities9
Installing the Downdraft
Vent System10-17
Optional Kits17
Power Supply12
Raise/Lower Switch16
Venting Options14

Troubleshooting Tips18

Consumer Support

Consumer Support20
Warranty19

Write the model and serial numbers here:

Model # _____

Serial # _____

You can find them on a label on the side of the blower housing.

**Owner's Manual
& Installation
Instructions**

JVB37
JVB67



IMPORTANT SAFETY INFORMATION. READ ALL INSTRUCTIONS BEFORE USING.

PLEASE NOTE: The downdraft vent system you have purchased was designed to be used with GE, GE Profile and GE Profile Performance cooktops listed in this manual.

⚠ WARNING!

For your safety, the information in this manual must be followed to minimize the risk of fire or explosion, electric shock, or to prevent property damage, personal injury, or loss of life.

⚠ WARNING: TO REDUCE THE RISK OF FIRE, ELECTRIC SHOCK, OR INJURY TO PERSONS, OBSERVE THE FOLLOWING:



- A.** Use this unit only in the manner intended by the manufacturer. If you have questions, contact the manufacturer.
 - B.** Before servicing or cleaning unit, switch power off at service panel and lock the service disconnecting means to prevent power from being switched on accidentally. When the service disconnecting means cannot be locked, securely fasten a prominent warning device, such as a tag, to the service panel.
- ⚠ CAUTION:** *For general ventilating use only. Do not use to exhaust hazardous or explosive materials and vapors.*
- Installation work and electrical wiring must be done by qualified person(s) in accordance with all applicable codes and standards, including fire-rated construction.
 - Sufficient air is needed for proper combustion and exhausting of gases through the flue (chimney) of fuel-burning equipment to prevent back drafting. Follow the heating equipment manufacturer's guideline and safety standards such as those published by the National Fire Protection Association (NFPA), and the American Society for Heating, Refrigeration and Air Conditioning Engineers (ASHRAE), and the local code authorities.
 - When cutting or drilling into wall or ceiling, do not damage electrical wiring and other hidden utilities.
 - Ducted fans must always be vented to the outdoors.
 - To reduce the risk of fire, use only metal ductwork.
 - PVC sewer pipe can be used as duct under concrete slab if allowed by local code board.
 - This unit must be grounded.

SAFETY PRECAUTIONS

⚠ WARNING! TO REDUCE THE RISK OF A RANGE TOP GREASE FIRE:

- Never leave surface units unattended at high settings. Boilovers cause smoking and greasy spillovers that may ignite. Heat oils slowly on low or medium settings.
- Always turn hood **ON** when cooking at high heat or when cooking flaming foods.
- Clean ventilating fans frequently. Grease should not be allowed to accumulate on fan or filter.
- Use proper pan size. Always use cookware appropriate for the size of the surface element.





SAFETY PRECAUTIONS

▲ WARNING! TO REDUCE THE RISK OF A INJURY TO PERSONS IN THE EVENT OF A RANGE TOP GREASE FIRE, OBSERVE THE FOLLOWING:*

- A. SMOTHER FLAMES** with a close-fitting lid, cookie sheet, or metal tray, then turn off the burner. **BE CAREFUL TO PREVENT BURNS.** If the flames do not go out immediately, **EVACUATE AND CALL THE FIRE DEPARTMENT.**
- B. NEVER PICK UP A FLAMING PAN**—You may be burned.
- C. DO NOT USE WATER**, including wet dishcloths or towels—a violent steam explosion will result.
- D. Use an extinguisher ONLY if:**
 1. You know you have a Class ABC extinguisher, and you already know how to operate it.
 2. The fire is small and contained in the area where it started.
 3. The fire department is being called.
 4. You can fight the fire with your back to an exit.

*Based on "Kitchen Fire safety Tips" published by NFPA.

▲ CAUTION: For general ventilating use only. Do not use to exhaust hazardous or explosive materials and vapors.

Make sure all fingers are away from the downdraft top when it is lowered.

If You Need Service...

Do not attempt to repair or replace any part of the downdraft system unless it is specifically recommended in this guide. All other servicing should be referred to a qualified technician.



SERVICING

Be sure electrical power is off before servicing the unit.

It may be necessary to remove the downdraft blower system in order to service components such as the blower motor or air vent mechanism.

Disconnect power to the cooktop and remove it first. Reverse the steps in the *Install the Downdraft* section to remove the blower.

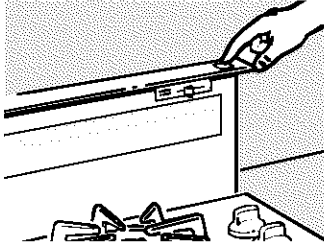
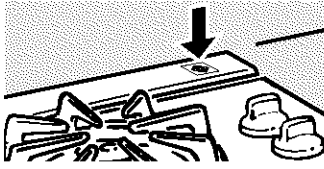
Service parts are available from a GE Service and Parts Center.



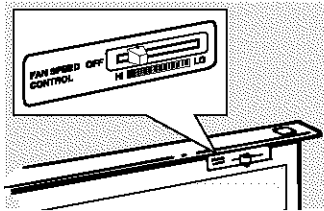
READ AND FOLLOW THIS SAFETY INFORMATION CAREFULLY.

SAVE THESE INSTRUCTIONS

Using the downdraft system.



On some models, the Raise/Lower switch is located at the top right of the vent.



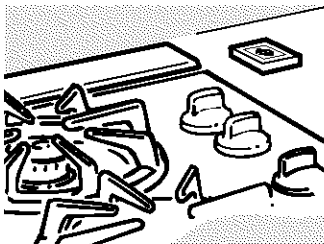
Use the selector switch to turn the blower ON, OFF or to change the blower speed.

Raise/Lower Switch (30" models only)

Turn the downdraft blower **ON** by pressing the raise/lower switch located at the top right of the vent. Place your finger on the "center" of the switch and hold until you observe the vent moving, then release. The air vent will rise. Use the selector switch to turn the blower **ON, OFF** or to change the blower speed.

The vent may be lowered by again pressing the raise/lower switch at the top right side of the vent. The blower, if left on, will automatically go off when the vent is lowered.

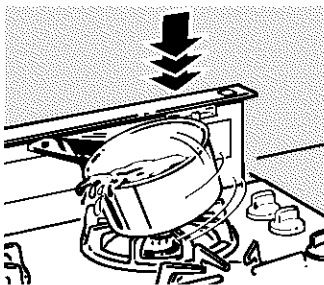
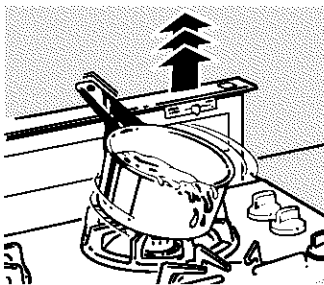
NOTE: For most convenient operation, set the blower to the speed you use most often. The blower will come on to this speed whenever the unit is raised.



Raise/Lower switch location may vary.

Remote Raise/Lower Switch (36" models only)

The 36" models have a remote raise/lower switch. It operates in the same manner as the switch located on the vent. This switch may be located beside the cooktop or in a convenient location.



Using the Cooktop

CAUTION: Be careful when raising or lowering the downdraft. Be sure pots, pot handles and other objects are clear of the downdraft and cannot be struck or tipped by the downdraft being raised.

NOTE: There is a slight trim overhang at each end of the vent.

■ To avoid injury, be sure fingers are clear of the downdraft cover when it is being lowered.

■ Keep hands and fingers away from all downdraft parts.

Cooking Tips

The high air movement of this downdraft system can increase the cooking times for some foods. It may take longer to reach high cooking temperatures if the downdraft is turned to high right away. Adjust the fan speed for best cooking results.

For best results when heating oil for deep frying or when boiling water, use the front surface units or wait until the water is boiling or the oil is at frying temperatures before turning on the downdraft.

The downdraft may not completely capture all the steam from pans on the front burners.

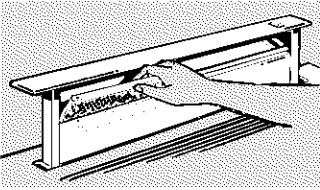
Canning

When canning foods in a water-bath canner, a gentle but steady boil must be maintained continuously for the required time.

When canning foods in a pressure canner, the pressure must be maintained continuously for the required time.

Use of the blower at **HIGH** speed when canning may reduce the temperature enough to stop boiling. While canning, we recommend using the downdraft at **LOW** speed and using the front surface unit.

Care and cleaning of the downdraft system.



Grease Filters

The efficiency of your downdraft depends on a clean filter. Frequency of cleaning depends on the type of cooking you do. Grease filters should be cleaned at least once a month. Never operate the downdraft without the filters in place.

To remove: Pull the filters out by grasping them and pulling straight up.

To clean: Soak and then agitate in a hot detergent solution. Light brushing may

be used to remove embedded soil. Rinse, shake and remove moisture before replacing.

Filters may also be cleaned in the dishwasher.

With careful handling, the filter will last for years. If replacement becomes necessary, order the part from your dealer.

Painted or Metal Surfaces

Clean greasy surfaces frequently, using a mild detergent.

Do not use abrasive cloth, steel wool pads or scouring powder because they will mar the surface.

Stainless Steel Surfaces (on some models)

Do not use a steel-wool pad; it will scratch the surface.

- 1 Shake bottle well.
- 2 Place a small amount of CERAMA BRYTE® Stainless Steel Appliance Cleaner on a **damp** cloth or **damp** paper towel.
- 3 Clean a small area (approximately 8" x 8"), rubbing with the grain of the stainless steel if applicable.
- 4 Dry and buff with a clean, dry paper towel or soft cloth.
- 5 Repeat as necessary.

NOTE: If a mineral oil-based stainless steel appliance cleaner has been used before to clean the appliance, wash the surface with

dish soap and water prior to using the CERAMA BRYTE® Stainless Steel Appliance Cleaner. After washing the surface with dish soap and water, use a generous amount of CERAMA BRYTE® Stainless Steel Appliance Cleaner to clean the appliance.

To Order

To order CERAMA BRYTE® Stainless Steel Appliance Cleaner, please call our toll-free number:

National Parts Center 800.626.2002

www.GEAppliances.com

**CERAMA BRYTE®
Stainless Steel Appliance
Cleaner**.....# PM10X311

Installation Instructions

Downdraft Vent System

If you have questions, call 800.GE.CARES or visit our Website at: www.GEAppliances.com

BEFORE YOU BEGIN

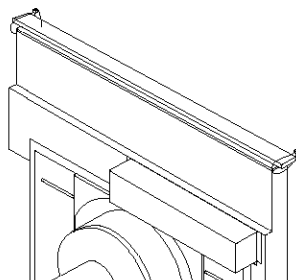
Read these instructions completely and carefully.

- **IMPORTANT** — Save these instructions for local inspector's use.
- **IMPORTANT** — Observe all governing codes and ordinances.
- **Note to Installer** – Be sure to leave these instructions with the Consumer.
- **Note to Consumer** – Keep these instructions for future reference.
- **Note** – This appliance must be properly grounded.
- Proper installation is the responsibility of the installer.
- Product failure due to improper installation is not covered under the Warranty.

REMOVE PACKAGING

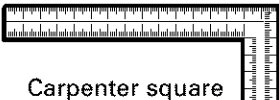
Open the carton and remove parts package. Check contents to be sure all pieces are present. (The parts package may be attached to the power cord.)

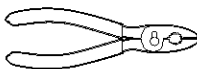
Remove the shipping materials. Remove the carton and set aside. The carton can be used as a pad when changing or adjusting vent direction.



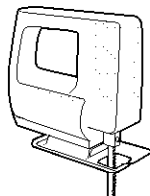
TOOLS YOU WILL NEED

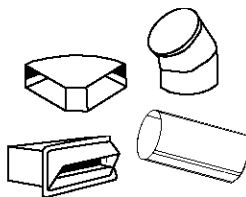
 Flat-blade screwdriver

 Carpenter square

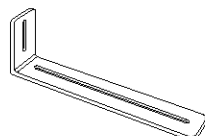
 Pliers

 Duct tape

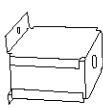
 Jig saw

 Ductwork to suit the installation

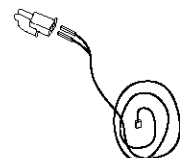
PARTS INCLUDED

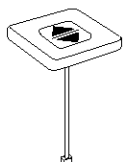
 Stabilizing brackets (all models) (4)

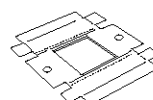
Remote raise/lower assembly (for 36" models only)

 Wire box (2) and screws (4)

 Plastic strain relief (2)

 Wire and white connector (1)

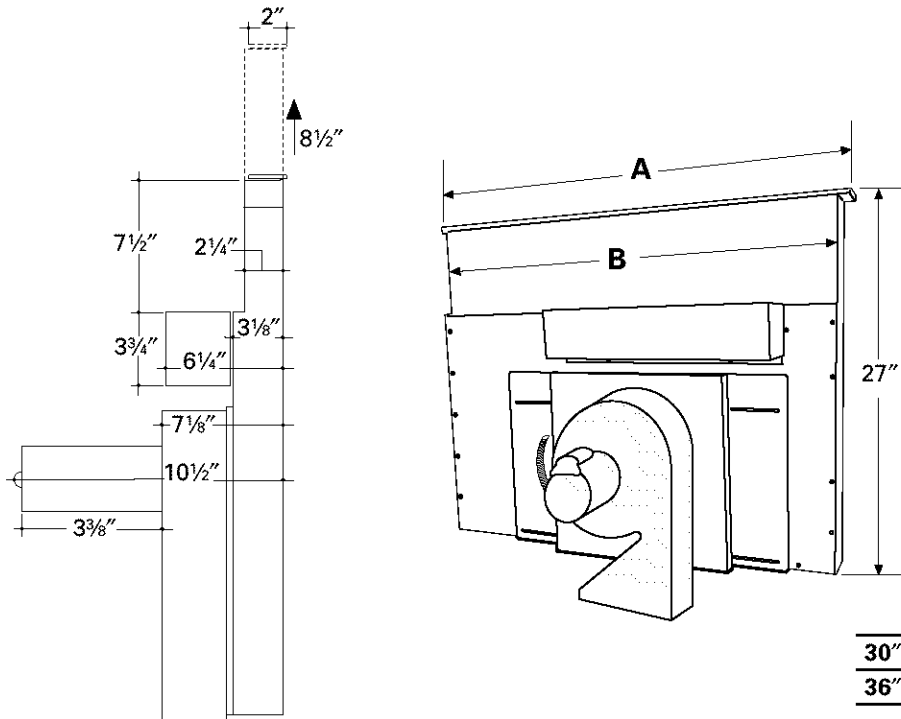
 Switch cover plate (1)

 Attachment bracket (1)

Installation Instructions

DIMENSIONS AND CLEARANCES

⚠ CAUTION — Wall coverings, countertops and cabinets should withstand 200°F. heat generated by any cooktop.



⚠ WARNING! INSTALLATION SAFETY INSTRUCTIONS

TO REDUCE THE RISK OF FIRE, ELECTRIC SHOCK, OR INJURY TO PERSONS, OBSERVE THE FOLLOWING:

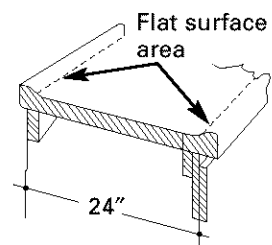
- A** Installation work and electric wiring must be done by qualified person(s) in accordance with all applicable codes and standards, including fire-rated construction.
- B** Ducted fans must always be vented to the outdoors.
- C** When cutting or drilling into wall or ceiling, do not damage electrical wiring and other hidden utilities.

⚠ WARNING — To reduce the risk of fire, use only metal ductwork.

I **IMPORTANT:** These vents are recommended for island installations. Against-the-wall installations are limited due to countertop depth requirements. The vent and cooktop combined depth requires an extra deep flat countertop surface.

The countertop must be at least 26" deep with a flat surface area of 23 1/2" or more, front to back. (**NOTE:** JGP932S, JP350SC, JP930SC and JP938SC require 23 5/8" flat surface area.) In addition, other clearances to the front edge of the countertop must be considered.

- See specific cutout illustrations with your cooktop model to determine requirements.
- A countertop with a raised lip or rolled front edge may not allow enough flat area for installation.



Installation Instructions

ADVANCE PLANNING

CLEARANCES

- Installation must conform with local codes.
- The downdraft system with blower, motor and duct work will occupy the cabinet below the countertop and cooktop.
- The blower/motor assembly can be located below the cabinet floor. The assembly will fit between 16" floor joists.

In this installation a transition to 6" round is required.

- The blower motor assembly can also be installed outdoors. Order JXBC67 for remote blower installations outdoors.
- Refer to *Dimensions and Clearances* for information on appropriate placement and necessary clearances when planning installation.
- Refer to your specific cooktop installation instruction for other appropriate clearances.
- Avoid placing cabinetry directly above the cooking surface when possible.
- **If cabinetry is used above the cooking surface:**

Installation must conform with local codes.

Use cabinets no more than 13" deep.

Maintain 30" minimum clearance between cooktop and unprotected cabinets directly above cooktop.

If clearance is less than 30", protect cabinet bottoms with flame-retardant millboard at least 1/4" thick or gypsum board at least 3/16" thick covered with 28 gauge sheet steel or .02" thick copper.

Clearance between cooktop and protected cabinetry must not be less than 24".

EXCEPTION: Installation of a listed microwave oven or cooking appliance over the cooktop shall conform to the installation instructions packed with that appliance.

- Working areas adjacent to the cooktop should maintain 18" minimum clearance between countertop and cabinet bottom.

DUCTWORK

Prepare ductwork to vent to the outdoors.

- Use the shortest and straightest duct run possible.

The maximum permissible length for duct run is 150 feet.

Refer to *Duct Fittings* chart to calculate equivalent length for various duct configurations.

- The downdraft blower system is designed to use 3¼" x 10" ductwork. It can be transitioned to 6" round.
- Ductwork **MUST** be vented to the outside—never into a crawl space, attic or other enclosed space.
- Determine the need for a wall cap or roof cap. Purchase the cap in advance from your home building center or plumbing supply.

COOKTOP ELECTRICAL AND GAS LOCATION

Plan the placement of the electrical outlet and gas (if used) carefully. Gas or electrical outlets cannot be placed on the back wall of the cabinet because it may interfere with the downdraft plenum.

Install a standard electrical outlet within reach of the vents' 2 foot long power cord.

- The vent and a gas cooktop combination can operate from the same 120V standard duplex outlet.
- Electric cooktops must operate from a separate 240V junction box.

REMOTE SWITCH (for 36" models only)

The downdraft vent has a separate raise/lower switch. Plan to install the switch in a convenient location outside of the vent/cooktop cutout.

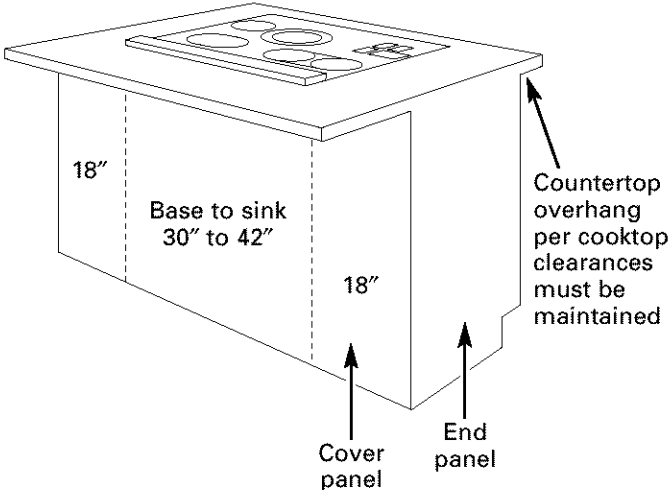
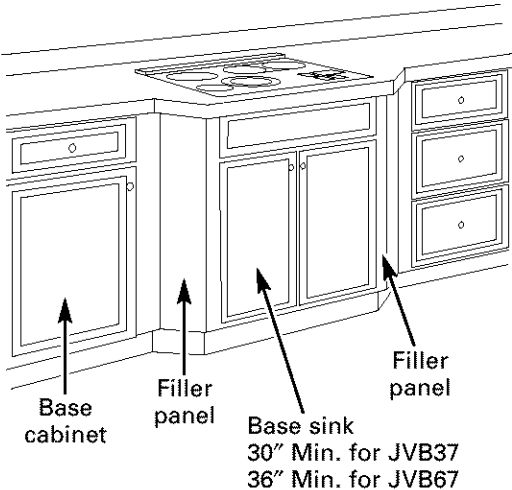
Installation Instructions

INSTALLATION POSSIBILITIES

When the kitchen design calls for an against the wall installation, move 24" deep base cabinet forward, 3" to 5". Filler panels can be angled or flat to fill the space between adjacent cabinets.

Maintain cutout clearances to front edge as specified.

In an island or peninsula, the countertop can be extra deep to provide seating opposite of the cooktop. Adding base cabinets on each side of the cooktop provides extra storage and countertop work space.



Installation Instructions

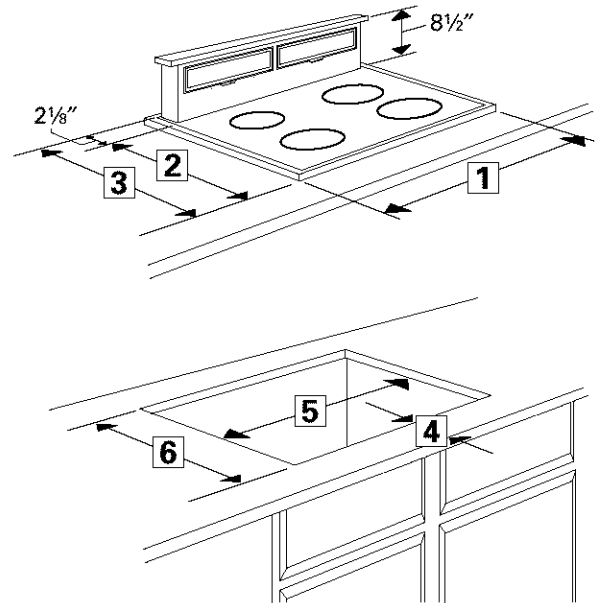
INSTALLING THE DOWNDRAFT VENT SYSTEM

30" COOKTOP/DOWNDRAFT UNIT JVB37

NOTE: Before you begin, measure and mark Dimension 3 to ensure that adequate flat countertop surface is available.

Identify the cutout illustration for the cooktop model you are installing with this downdraft vent system.

- Draw lines on the countertop to follow as a cutting guide.
- Make sure sides of the opening are parallel and rear and front cuts are exactly perpendicular (right angle) to sides.



Model No.	Planning Installation 30" Electric and Gas Cooktops with Downdraft Vents				Preparing Cutout	
	1 Overall Width	2 Cooktop Surface Overall Depth	3 Surface Depth with Downdraft*	4 Minimum Setback Cutout to Front Edge**	5 Combined Cutout Width	6 Combined Cutout Depth
JP326	30-1/4"	21-1/4"	23-3/8"	2-1/2"	28-1/2"	22-3/8"
JP340 JP350 JP930 JP931 JP938 JP939	29-3/4"	20-7/8"	23"	2-1/2"	28-1/2"	22-1/4"
JP350SC JP930SC JP938SC	29-7/8"	21-1/2"	23-5/8"	2-1/2"	28-1/2"	22-3/8"
JGP328 JGP933 JGP933S	30"	21"	23-1/8"	2-1/2"	28-1/2"	22-3/8"
JGP336	30"	21"	23-1/8"	2-1/2"	28-1/2"	22-1/4"
JGP932	29-3/4"	21"	23-1/8"	2-1/2"	28-1/2"	22-1/4"
JGP930S	30"	21-1/4"	23-3/8"	2-1/2"	28-1/2"	22-1/4"
JGP932S	29-7/8"	21-5/8"	23-3/4"	2-1/2"	28-1/2"	22-5/8"

*Includes 1/8" gap between cooktop and vent trim

**Required to maintain UL or AGA approvals

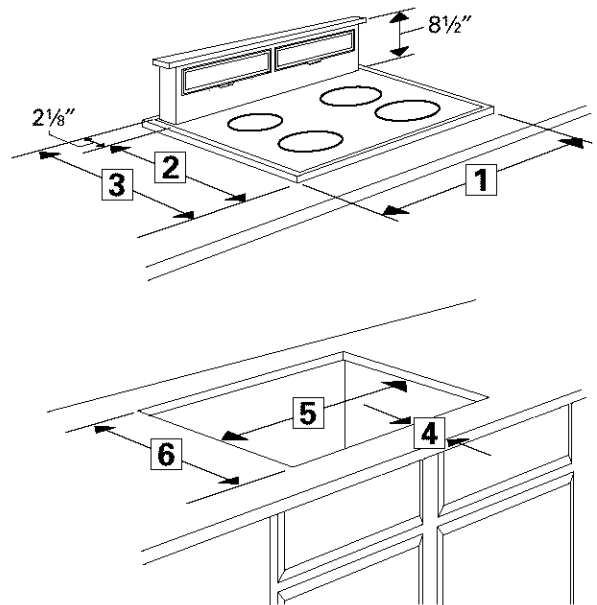
Installation Instructions

36" COOKTOP/DOWNDRAFT UNIT JVB67

NOTE: Before you begin, measure and mark Dimension 3 to ensure that adequate flat countertop surface is available.

Identify the cutout illustration for the cooktop model you are installing with this downdraft vent system.

- Draw lines on the countertop to follow as a cutting guide.
- Make sure sides of the opening are parallel and rear and front cuts are exactly perpendicular to sides.



Model No.	Planning Installation 36" Electric and Gas Cooktops with Downdraft Vents				Preparing Cutout	
	1 Overall Width	2 Cooktop Surface Overall Depth	3 Surface Depth with Downdraft*	4 Minimum Setback Cutout to Front Edge**	5 Combined Cutout Width	6 Combined Cutout Depth
JP626	35-1/2"	21"	23-1/8"	2-1/2"	34"	21-1/8"
JP960 JP961 JP968 JP969	36"	20-3/8"	22-1/2"	2-1/2"	34"	21-3/4"
JP960S JP968S	36-1/8"	21"	23-1/8"	2-1/2"	34"	21-7/8"
JGP628 JGP963 JGP963S	36"	21"	23-1/8"	2-1/2"	34"	21-7/8"
JGP636	36"	21"	23-1/8"	2-1/2"	34"	21-7/8"
JGP960S	36"	21-1/4"	23-1/8"	2-1/2"	34"	22-7/8"
JGP962	36"	20-7/16"	22-9/16"	2-1/2"	34"	21-3/4"
JGP962S	36-1/8"	21-1/16"	23-3/16"	2-1/2"	34"	22-1/8"

*Includes 1/8" gap between cooktop and vent trim

**Required to maintain UL or AGA approvals

Installation Instructions

INSTALLING THE DOWNDRAFT VENT SYSTEM

POWER SUPPLY

This downdraft vent must be supplied with 120V, 60Hz., and connected to an individual, properly grounded branch circuit, protected by a 15 or 20 ampere circuit breaker or time delay fuse.

Gas Cooktops

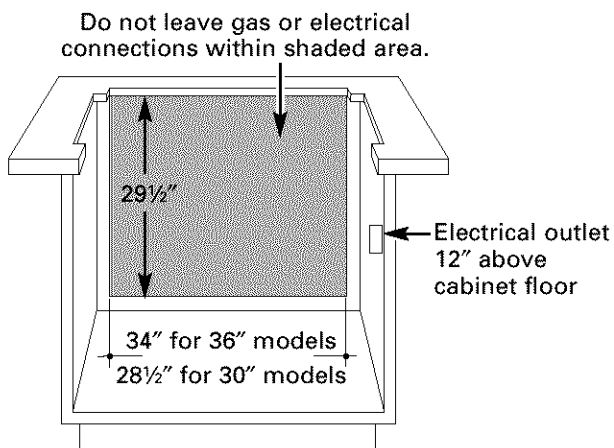
If this vent is installed in combination with a gas cooktop, it may operate from the same duplex outlet.

Electric Cooktops

If this vent is installed in combination with an electric cooktop, the vent must operate from a separate 120V outlet.

A properly grounded 3-prong receptacle should be located within reach of the vents' 2 foot power cord.

- Locate the receptacle inside the cabinet on the right side wall. The receptacle cannot be placed on the back of the cabinet wall where it may interfere with the downdraft plenum. See illustration.




NOTE: Do not use an extension cord or adapter plug with this appliance. Follow National electrical codes or prevailing local codes and ordinances.

Installation Instructions

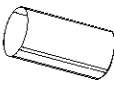
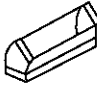

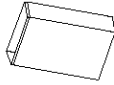
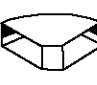
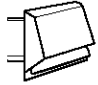






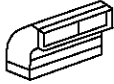

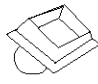
DUCTWORK LENGTH AND DUCT FITTINGS

NOTE: Do not exceed 150 foot maximum permissible equivalent lengths!

Flexible ducting: If flexible metal ducting is used, all equivalent feet values in the table should be doubled. The flexible metal duct should be straight and smooth and extended as much as possible.

 **DO NOT** use flexible plastic ducting.

Add equivalent lengths for all duct pieces and transitions used to ensure that the duct run does not exceed the maximum 150 feet.

Duct Pieces		Equivalent Length*	Duct Pieces		Equivalent Length*	Duct Pieces		Equivalent Length*
	6" Round Straight	1 ft. (per foot length)		3/4" x 10" 45° Elbow	5 ft.		3/4" x 10" to 6" Round Transition 90° Elbow	12 ft.
	3/4" x 10" Straight	1 ft. (per foot length)		3/4" x 10" 90° Flat Elbow	24 ft.		6" Round Wall Cap with Damper	21 ft.
	6" 90° Elbow	15 ft.		6" Round to 3/4" x 10" Transition	7 ft.		3/4" x 10" Wall Cap with Damper	27 ft.
	6" 45° Elbow	9 ft.		3/4" x 10" to 6" Round Transition	5 ft.		6" Round Roof Cap	20 ft.
	3/4" x 10" 90° Elbow	16 ft.		6" Round to 3/4" x 10" Transition 90° Elbow	20 ft.		6" Round Roof Vent	24 ft.

SHOULD NOT EXCEED 150 EQUIVALENT FEET

*Equivalent lengths of duct pieces are based on actual tests conducted by GE Evaluation Engineering and reflect requirements for good venting performance. See chart for CFM Duct Length.

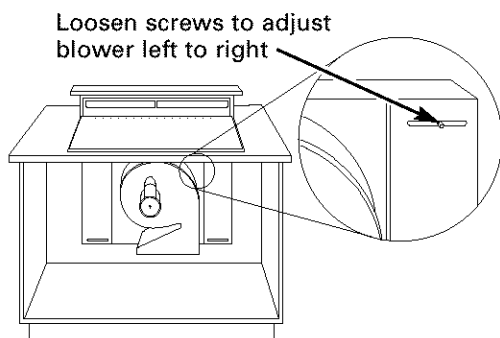
Installation Instructions

INSTALLING THE DOWNDRAFT VENT SYSTEM

VENTING OPTIONS

Side-to-Side Adjustments

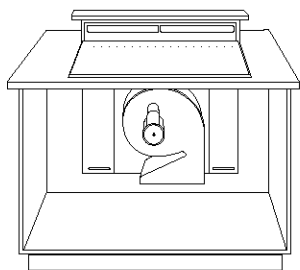
The entire blower mounting plate can be adjusted 3½" to the left or right. This will help to align vent discharge to house ductwork.



Discharge Direction

The blower assembly may be removed and turned 90° for a left or right side discharge.

- The downdraft vent is shipped with the discharge outlet pointing straight down and can be changed to the left or right side.

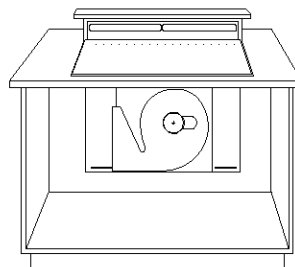


Discharge down
(as supplied)

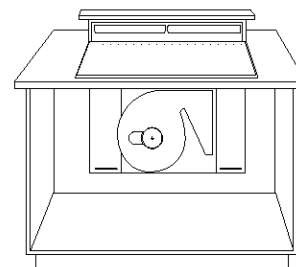
- A left or right 90° direction adjustment should be performed before dropping into the countertop opening.
- Flatten the shipping box to use as a pad.
- Lay the vent on its back onto the pad.

To Change to a Left or Right Discharge

- 1 Remove the 4 screws holding the blower to the mounting plate assembly. Retain screws.
 - 2 Remove the blower assembly, turn it over to access the 4 nuts holding the blower to the mounting plate. Remove the nuts.
- I IMPORTANT:** Do not lift the motor by the power cable.
- 3 Turn the blower to the left or right discharge direction and reinstall the 4 nuts.



Discharge left



Discharge right

- 4 Reinstall the blower and mounting plate with original screws.

To Locate the Ductwork Holes in the Cabinet Floor or Side Walls

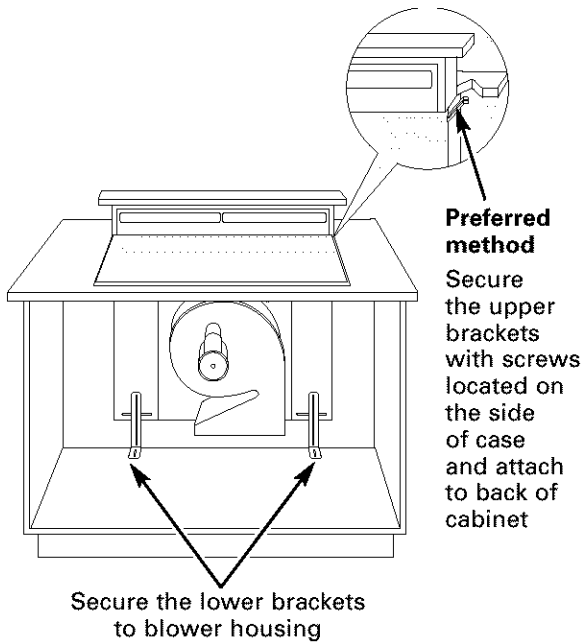
- 1 Temporarily, put vent into the countertop opening.
- 2 Push the vent all the way to the back of the opening.
- 3 If you are transitioning to 6" round, place transition (obtained locally) over the discharge outlet.
 - Mark the location and remove the assembly.
 - Cut holes and install ductwork connections.

Order JXRB67 for installation of the blower and motor below the floor.

Order JXBC67 for installation of the blower and motor outdoors.

Installation Instructions

1 INSTALL THE DOWNDRAFT VENT



Place the downdraft vent into the countertop cutout, against the back side.

- A** Secure the downdraft to the countertop supplied brackets. See illustration.
- B** Fasten 2 brackets to vent side and secure to cabinet back wall.
- C** Install 2 brackets on the bottom of the vent. Attach brackets to slide screws on the vent and to the floor using wood screws (not supplied).

When installing in a tile countertop surface, it may be necessary to apply a locally approved caulking to cover any gaps.

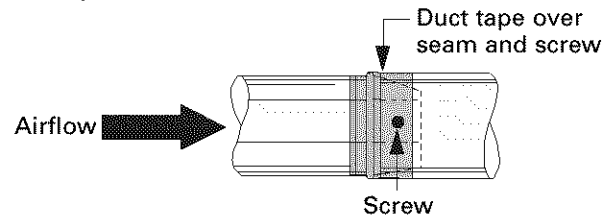
2 INSTALL THE DUCTWORK

Use minimum 26" gauge galvanized or 24 gauge aluminum duct 3 1/4" x 10" or 6" round. PVC duct should be used if installing under a poured concrete slab.



DO NOT USE flexible ducting.

- Always use appropriate roof or wall cap with damper. Laundry type wall caps should never be used. See the *Ductwork Length and Duct Fittings* chart.
- Use the straightest duct run possible.
- For satisfactory performance the duct run should not exceed 150 feet or its equivalent length when bends or various fittings are used. Refer to the table of equivalent lengths to calculate your installation.



- Install ductwork so the piece of duct nearest the downdraft unit slots **INTO** the next piece of the duct. Secure the joints with self-tapping screws and apply duct tape around the joints to ensure an airtight seal.

Installation Instructions

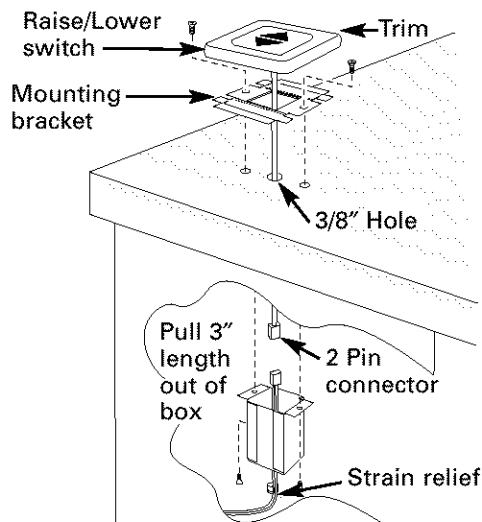
INSTALLING THE DOWNDRAFT VENT SYSTEM

3 INSTALL THE RAISE/LOWER SWITCH

NOTE: Step 3 is for 36" models only. Skip this step if installing a 30" model.

▲ WARNING — Disconnect electrical power from the unit before beginning switch installation. Failure to do so could result in personal injury or damage to the electrical controls.

NOTE: Determine the location for the Raise/Lower switch. The wiring lead is 68" long.

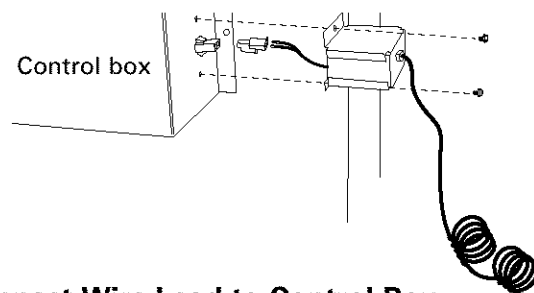


- A** Drill a 3/8" hole into the desired location. Use the mounting bracket as a template to locate the hole accurately. Check for interference between the switch cover, adjacent objects and cooktop/vent overlaps.
- B** If switch is mounted into a tile surface, drill the hole between tiles. Use locally approved caulking to cover any gaps.
- C** Center the mounting bracket over the hole and mark pilot holes. Remove and drill holes according to type of countertop.
- D** Mount the metal switch bracket with screws (not provided). Choose screws for your type of countertop or use locally approved adhesive.

- E** Remove protective film from the top of the switch trim.
- F** Peel film from the adhesive strips on the back of the switch trim. Thread the wire lead through the mounting bracket and countertop. Press trim over the mounting bracket to set the adhesive.

Connect Raise/Lower Wire Lead to Wire Box

- A** Thread wire end with the connector through the hole on the end of a wire box. Pull approximately 3" additional wire length beyond the open end of the box.
- B** Connect the mating wire connectors.
- C** Install the wire box onto the bottom of the countertop or directly behind the switch. Use screws or adhesive appropriate for the type of countertop.
- D** Place plastic strain relief over the wire, just outside of the hole at the end of the wire box. Do not pinch or twist the wire. Snap the strain relief closed and press into the hole.



Connect Wire Lead to Control Box

- A** Thread the long 68" wire lead through the end of the other wire box.
- B** Push wire leads into the white connector provided.
- C** Push wire connector into the mating connector on the control box. Install the wire box onto the end of the control box with screws provided.
- D** Place plastic strain relief over the wire, just outside of the hole at the end in the wire box. Do not pinch or twist the wire. Snap the strain relief closed and press into the hole.
- E** Coil the excess wire and position away from moving parts and cabinet contents.

Installation Instructions

4 CONNECT THE POWER

Plug power cord into a properly grounded receptacle.

INSTALL THE COOKTOP

- With the downdraft in the “down” position, place the cooktop into the cutout.
- Push the cooktop back until the back edge of the cooktop just barely touches the front edge of the downdraft cover.
- Using a dime as a thickness gauge, align the cooktop so that there is a minimum uniform gap of 0.05” (the thickness of a dime) between the cooktop and the downdraft cover.

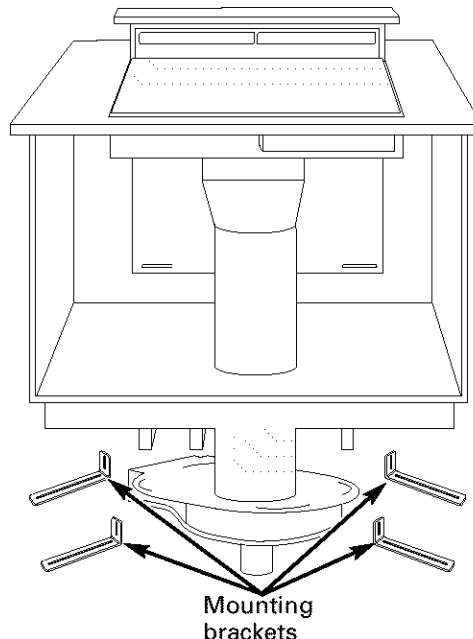
NOTE: Do not force the downdraft cover to move rearward when aligning the cooktop. This may cause the downdraft cover to impact and damage the cooktop when the vent is raised and lowered.

NOTES:

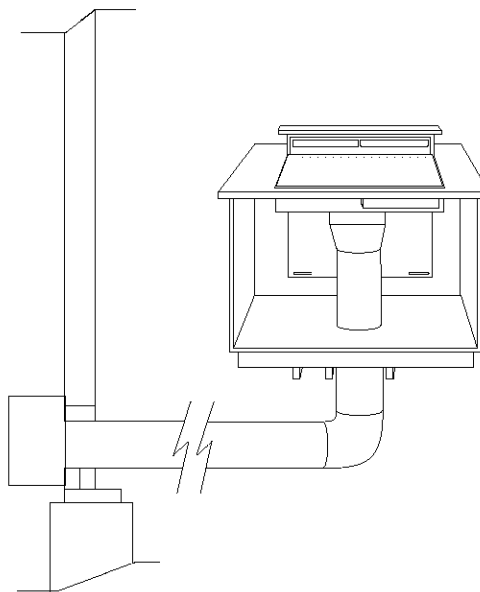
- Accurate alignment of cooktop and downdraft is necessary to ensure that there is no interference when air vent is raised and lowered. There should be a gap of 0.05” (the thickness of a dime) between the back edge of the cooktop and the front edge of the downdraft cover.
- Radiant cooktop cannot be flush mounted when using this downdraft vent.

OPTIONAL KITS

JXRB67 optional accessory for indoor remote location of the blower/motor assembly. Use this kit when the blower and motor assembly will be located below the cabinet floor.



JXBC67 optional outdoor cover accessory for remote installation of blower and motor assembly on an outside wall.



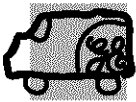
Before you call for service...



Troubleshooting Tips
Save time and money! Review the chart below first and you may not need to call for service.

Problem	Possible Causes	What To Do
Fan does not work	The vent is not fully extended.	<ul style="list-style-type: none"> • Press the Raise/Lower switch.
	The blower control switch may be in the OFF position.	<ul style="list-style-type: none"> • Slide it to the right.
Vent does not rise	Vent not plugged into an outlet.	<ul style="list-style-type: none"> • Plug vent into a 120V power outlet.
	Raise/Lower switch did not engage lift motor.	<ul style="list-style-type: none"> • Hold switch down for a couple of seconds to activate motor.
	Circuit breaker may have tripped.	<ul style="list-style-type: none"> • Check circuit breaker. Reset if necessary.
	Remote switch not plugged in.	<ul style="list-style-type: none"> • Check all connections between the remote switch and vent body.

GE Downdraft System Warranty.



All warranty service provided by our Factory Service Centers, or an authorized Customer Care® technician. To schedule service, on-line, 24 hours a day, visit us at www.GEAppliances.com, or call 800.GE.CARES (800.432.2737).

Staple your receipt here.
Proof of the original purchase date is needed to obtain service under the warranty.

For The Period Of: GE Will Replace:

One Year

From the date of the original purchase

Any part of the downdraft system which fails due to a defect in materials or workmanship. During this **full one-year warranty**, GE will also provide, **free of charge**, all labor and in-home service to replace the defective part.

What GE Will Not Cover:

- Service trips to your home to teach you how to use the product.
- Replacement of house fuses or resetting of circuit breakers.
- Improper installation, delivery or maintenance.
- Damage to the product caused by accident, fire, floods or acts of God.
- Failure of the product if it is abused, misused, or used for other than the intended purpose or used commercially.
- Incidental or consequential damage caused by possible defects with this appliance.
- Replacement of the replaceable filters.
- Damage caused after delivery.

This warranty is extended to the original purchaser and any succeeding owner for products purchased for home use within the USA. In Alaska, the warranty excludes the cost of shipping or service calls to your home.

Some states do not allow the exclusion or limitation of incidental or consequential damages. This warranty gives you specific legal rights, and you may also have other rights which vary from state to state. To know what your legal rights are, consult your local or state consumer affairs office or your state's Attorney General.

If you have an installation problem, contact your dealer or installer. You are responsible for providing adequate electrical, gas, exhausting and other connecting facilities as described in the Installation Instructions provided with the product.

Warrantor: General Electric Company, Louisville, KY 40225

Safety Instructions

Operating Instructions

Installation Instructions

Troubleshooting Tips

Consumer Support

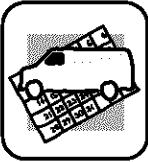
Consumer Support



GE Appliances Website

www.GEAppliances.com

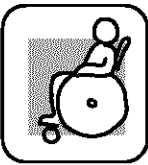
Have a question or need assistance with your appliance? Try the GE Appliances Website 24 hours a day, any day of the year! For greater convenience and faster service, you can now download Owner's Manuals, order parts, catalogs, or even schedule service on-line. You can also "Ask Our Team of Experts™" your questions, and so much more...



Schedule Service

www.GEAppliances.com

Expert GE repair service is only one step away from your door. Get on-line and schedule your service at your convenience 24 hours any day of the year! Or call 800.GE.CARES (800.432.2737) during normal business hours.



Real Life Design Studio

www.GEAppliances.com

GE supports the Universal Design concept—products, services and environments that can be used by people of all ages, sizes and capabilities. We recognize the need to design for a wide range of physical and mental abilities and impairments. For details of GE's Universal Design applications, including kitchen design ideas for people with disabilities, check out our Website today. For the hearing impaired, please call 800.TDD.GEAC (800.833.4322).



Extended Warranties

www.GEAppliances.com

Purchase a GE extended warranty and learn about special discounts that are available while your warranty is still in effect. You can purchase it on-line anytime, or call 800.626.2224 during normal business hours. GE Consumer Home Services will still be there after your warranty expires.



Parts and Accessories

www.GEAppliances.com

Individuals qualified to service their own appliances can have parts or accessories sent directly to their homes (VISA, MasterCard and Discover cards are accepted). Order on-line today, 24 hours every day or by phone at 800.626.2002 during normal business hours.

Instructions contained in this manual cover procedures to be performed by any user. Other servicing generally should be referred to qualified service personnel. Caution must be exercised, since improper servicing may cause unsafe operation.



Contact Us

www.GEAppliances.com

If you are not satisfied with the service you receive from GE, contact us on our Website with all the details including your phone number, or write to: General Manager, Customer Relations
GE Appliances, Appliance Park
Louisville, KY 40225



Register Your Appliance

www.GEAppliances.com

Register your new appliance on-line—at your convenience! Timely product registration will allow for enhanced communication and prompt service under the terms of your warranty, should the need arise. You may also mail in the pre-printed registration card included in the packing material.