



*Frigidaire*

## Factory Parts Catalog

Product No.	CPLMZ209GCA
Market	Canada
Color	stainless steel
Volts	120
Watts	1100
Wiring Diagram	5995510889
Owner's Guide	316495000

 **Electrolux**

Electrolux Major Appliances  
North & Latin America  
5855 TERRY FOX WAY  
MISSISSAUGA, ONTARIO, CANADA L5V  
3E4

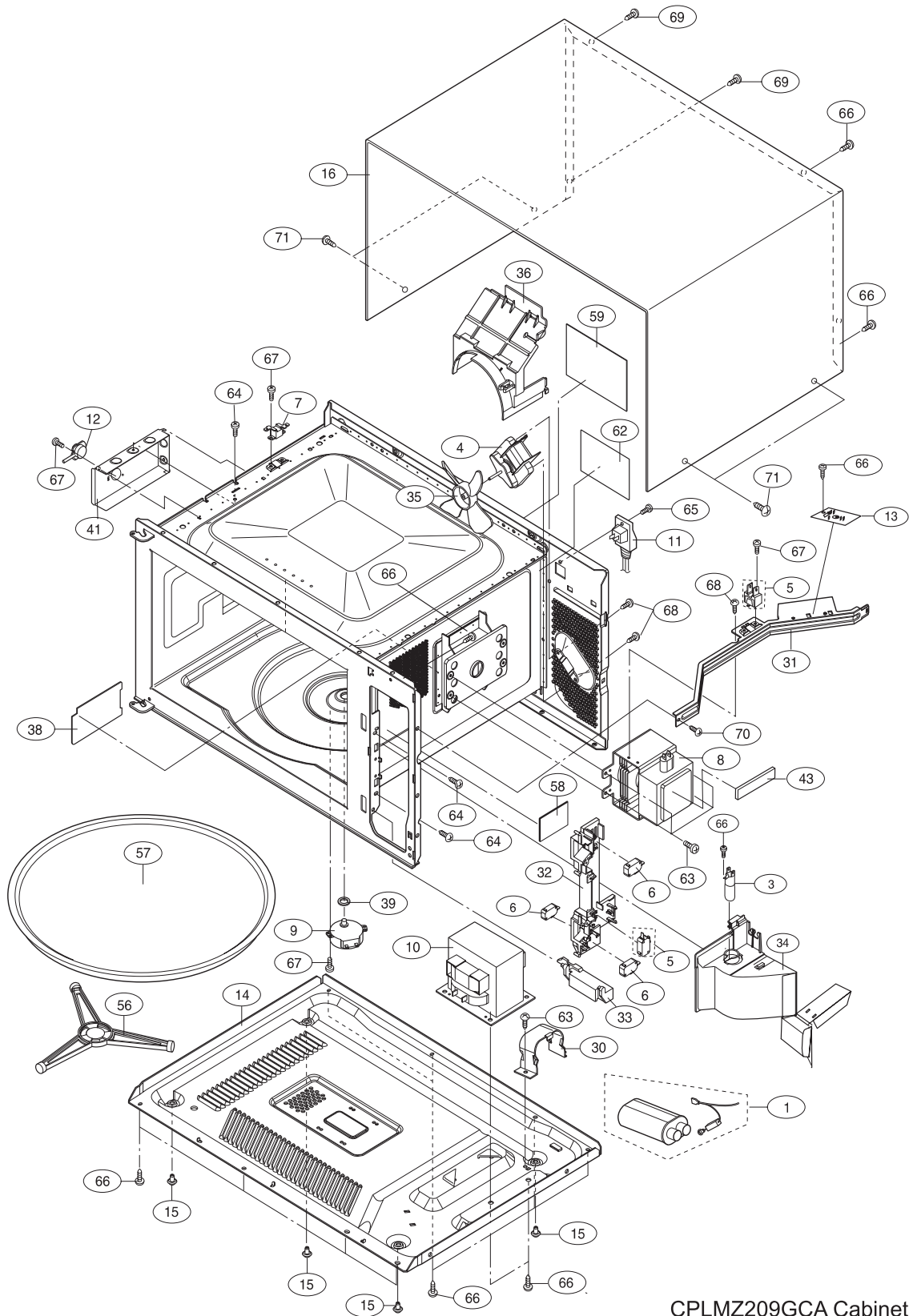
Publication No.  
**5995510889**  
08/04/07  
(EN/SERVICE/KC)  
099

**COUNTER-TOP  
MICROWAVE**

Model No.  
**CPLMZ209G**

Copyright © 2008 Electrolux Home Products, Inc.  
All rights reserved.

OVEN, CABINET

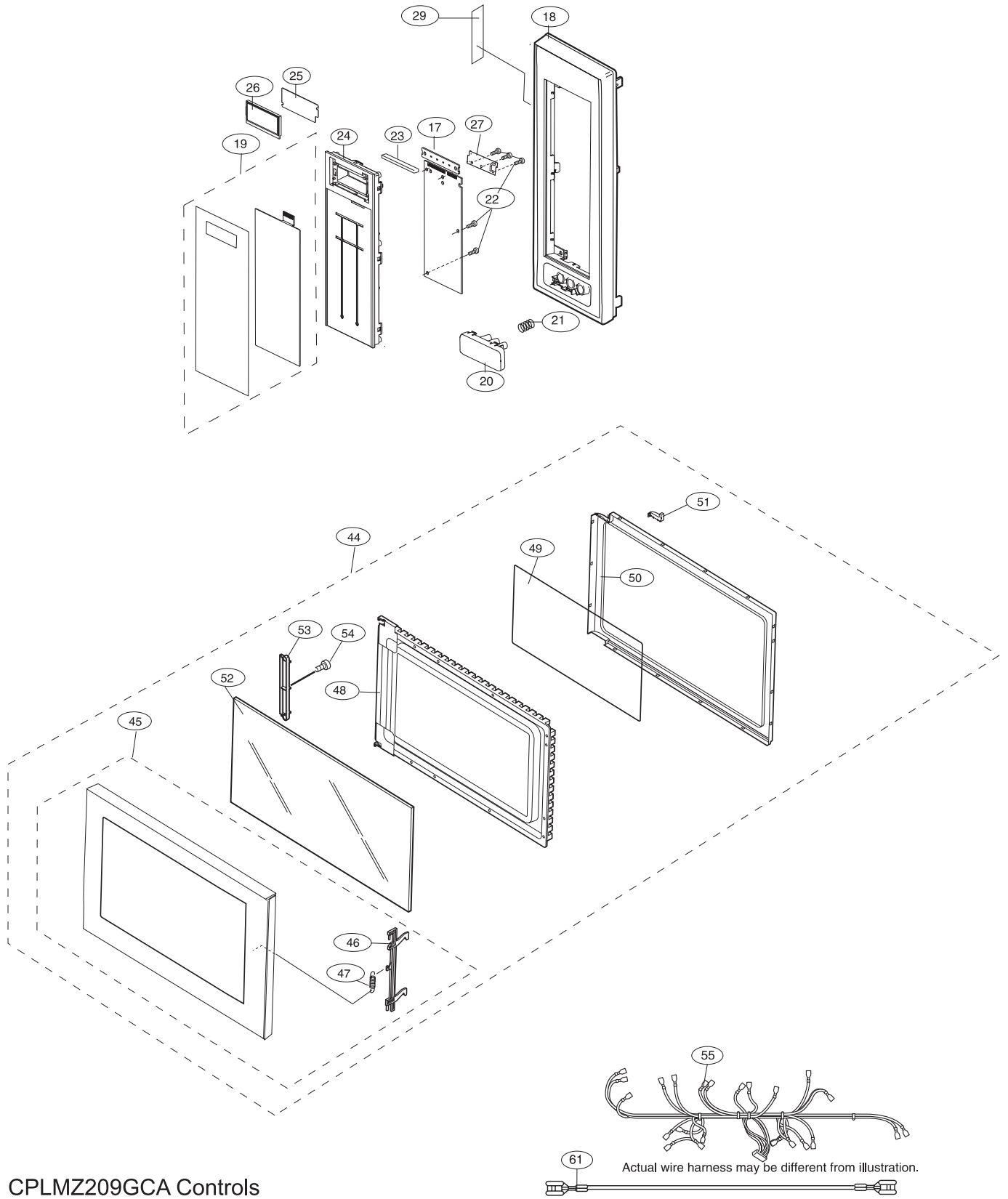


CPLMZ209GCA Cabinet

**OVEN,CABINET**

POS. NO	PART NO.	DESCRIPTION
1 #	5304462258	Capacitor/Rectifier Assy, HV
3 #	5304440779	Lamp Assy, with socket
4 #	5304448490	Motor, cooling fan
5 #	5304440027	Switch Kit, monitor, with CT fuse
6 #	5304440026	Switch, interlock, door sensor
7 #	5304440780	Fuse, cavity temp, 20 Amp, 250 V
8 #	5304448837	Magnetron
9 #	5304448832	Motor, turntable
10 #	5304440876	Transformer, power
11 #	5304440784	Power Cord, electric
12 #	5304440785	Sensor, humidity, cook control
13 #	5303322968	Filter, noise, electronic
14	5304440814	Base, unit chassis
15	5304440815	Foot, cabinet support
16	5304440816	Cabinet, outer casing, black
30	5304440838	Retainer, capacitor strap
31	5304462313	Bracket, chassis support
32	5304440840	Latch Hook
33	5304440841	Lever, door release
34	5304440842	Duct, magnetron
35 #	5304440843	Fan Blade, cooling fan
36	5304440844	Duct, cooling fan
38	5304462314	Cover, waveguide
39	5304440288	Bushing, motor shaft, turntable
41	5304440847	Duct, AH sensor
43	5304441910	Cushion, magnetron pad
56	5304440284	Support Assy, turntable
57	5304440868	Tray, turntable, glass
58	5304440334	Label, Caution-monitor
59	5304440333	Label, Caution-DHHS
62	5304451533	Label, NHW caution
63	5303319636	Screw
64	5303319641	Screw
65	5304462315	Screw, 4 mm x 12 mm, ground
66	5304451553	Screw, 4 mm x 12 mm
67	5304453725	Screw, 3mm x 8mm
68	5304450253	Screw, 4 mm x 8 mm
69	5304440873	Screw, Torx, T20H/GTXH20-100
70	5304462316	Screw
71	5304452261	Screw, black, outer casing

**CONTROL PANEL, DOOR, MISC.**



CPLMZ209GCA Controls

**CONTROL PANEL,DOOR,MISC.**

POS. NO	PART NO.	DESCRIPTION
17 #	5304440877	Control Board, printed circuit
18	5304462914	Frame, control panel, stainless, w/nameplate
19 #	5304440824	Touch Control Assy, black
20	5304462915	Push Button, door, stainless
21	5304440831	Spring, door button
22	5304456930	Screw, 3 mm x 10 mm
23	5304440832	Connector, rubber, control board
24	5304440833	Panel, touch control
25 #	5304440834	LED Sheet, backlight
26 #	5304440835	LCD, display
27	5304440836	Bracket, PCB support
29	5304440346	Label, User Caution
44	5304464298	Door Assy, complete, stainless
45	5304464299	Panel, outer door, w/nameplate
45*	240558802	Nameplate, door badge, stainless
46	5304440856	Latch, door
47	5304440316	Spring, door latch
48	5304440857	Panel, inner door, black
49	5304440860	Seal, door, film
50	5304440861	Choke Cover, inner door
51	5304442145	Door Stop
52	5304440863	Panel, glass, black, door front
53	5304440862	Door Stop
54	5304452259	Screw
55 #	5304440878	Wiring Harness, main
61 #	5304440870	Wire, high voltage-A

**WIRING SCHEMATIC**

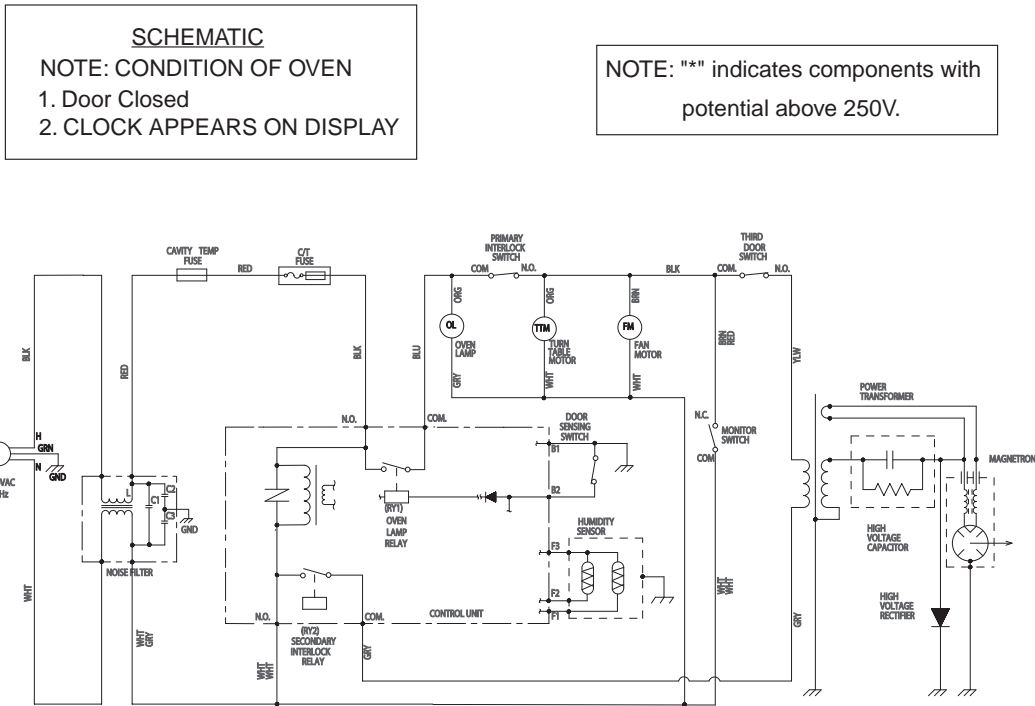


Figure O-1 Oven Schematic - Off Condition

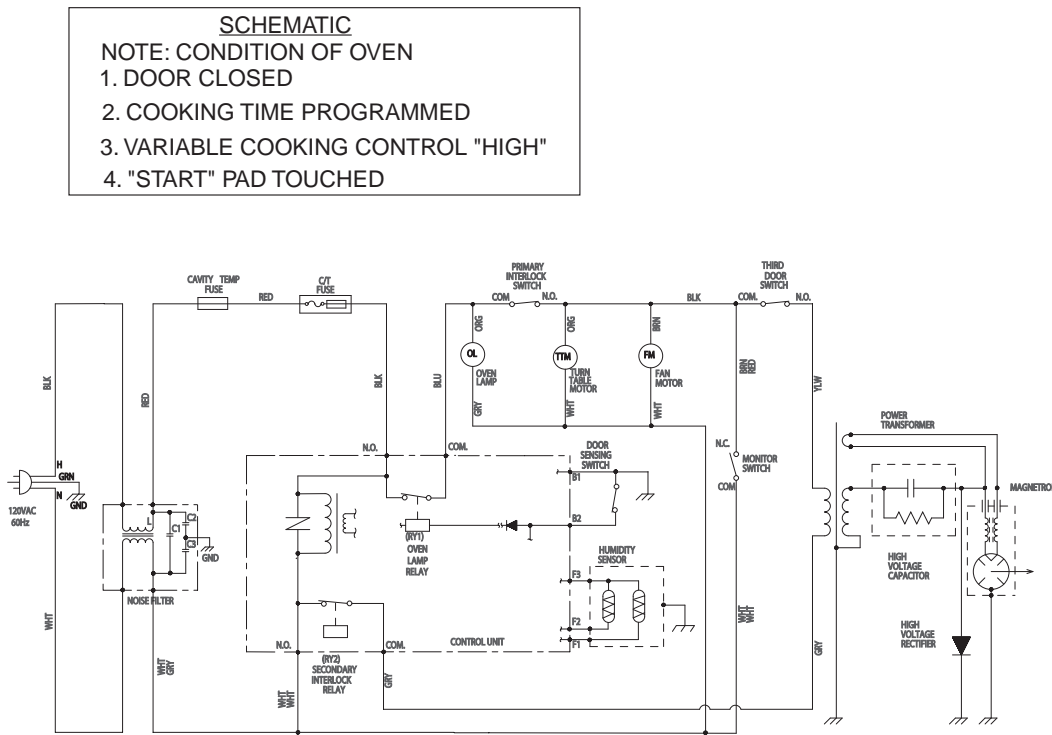


Figure O-2 Oven Schematic - Cooking Condition