



WASHER USER INSTRUCTIONS

INSTRUCCIONES PARA EL USUARIO DE LA LAVADORA

Table of Contents/Índice

ASSISTANCE OR SERVICE	1	AYUDA O SERVICIO TÉCNICO	9
WASHER SAFETY	2	SEGURIDAD DE LA LAVADORA	9
WASHER USE	3	USO DE LA LAVADORA	10
Starting Your Washer.....	3	Puesta en marcha de su lavadora	10
WASHER CARE	5	CUIDADO DE LA LAVADORA	12
Cleaning Your Washer	5	Cómo limpiar su lavadora	12
Water Inlet Hoses.....	5	Mangueras de entrada de agua.....	12
Moving and Storage	5	Mudanza y almacenaje	12
TROUBLESHOOTING	6	SOLUCIÓN DE PROBLEMAS	13

Assistance or Service

If you need assistance or service, please check “Troubleshooting.” If you still need help, follow the instructions below.

If you need replacement parts

If you need to order replacement parts, we recommend that you only use factory specified parts. These parts will fit right and work right because they are made with the same precision used to build every new WHIRLPOOL® appliance. To locate factory specified parts in your area, call the dealer from whom you purchased the washer or a Whirlpool designated service company.

NOTE: If the power supply cord of this washer is damaged, it must be replaced by a special cord available from the dealer from whom you purchased the washer or a Whirlpool designated service company.

For warranty information

Contact the dealer from whom you purchased your washer.

WASHER SAFETY

Your safety and the safety of others are very important.

We have provided many important safety messages in this manual and on your appliance. Always read and obey all safety messages.



This is the safety alert symbol.

This symbol alerts you to potential hazards that can kill or hurt you and others.

All safety messages will follow the safety alert symbol and either the word "DANGER" or "WARNING." These words mean:

⚠ DANGER

You can be killed or seriously injured if you don't immediately follow instructions.

⚠ WARNING

You can be killed or seriously injured if you don't follow instructions.

All safety messages will tell you what the potential hazard is, tell you how to reduce the chance of injury, and tell you what can happen if the instructions are not followed.

IMPORTANT SAFETY INSTRUCTIONS

WARNING: To reduce the risk of fire, electric shock, or injury to persons when using the washer, follow basic precautions, including the following:

- Read all instructions before using the washer.
- Do not wash articles that have been previously cleaned in, washed in, soaked in, or spotted with gasoline, dry-cleaning solvents, other flammable, or explosive substances as they give off vapors that could ignite or explode.
- Do not add gasoline, dry-cleaning solvents, or other flammable, or explosive substances to the wash water. These substances give off vapors that could ignite or explode.
- Under certain conditions, hydrogen gas may be produced in a hot water system that has not been used for 2 weeks or more. **HYDROGEN GAS IS EXPLOSIVE.** If the hot water system has not been used for such a period, before using the washing machine, turn on all hot water faucets and let the water flow from each for several minutes. This will release any accumulated hydrogen gas. As the gas is flammable, do not smoke or use an open flame during this time.
- Do not allow children to play on or in the washer. Close supervision of children is necessary when the washer is used near children.
- Before the washer is removed from service or discarded, remove the door or lid.
- Do not reach into the washer if the drum, tub or agitator is moving.
- Do not install or store the washer where it will be exposed to the weather.
- Do not tamper with controls.
- Do not repair or replace any part of the washer or attempt any servicing unless specifically recommended in this manual or in published user-repair instructions that you understand and have the skills to carry out.
- See "Electrical Requirements" for grounding instructions.

SAVE THESE INSTRUCTIONS

WASHER USE

Starting Your Washer

⚠ WARNING



Fire Hazard

Never place items in the washer that are dampened with gasoline or other flammable fluids.

No washer can completely remove oil.

Do not dry anything that has ever had any type of oil on it (including cooking oils).

Doing so can result in death, explosion, or fire.

⚠ WARNING



Electrical Shock Hazard

Plug into a grounded 3 prong outlet.

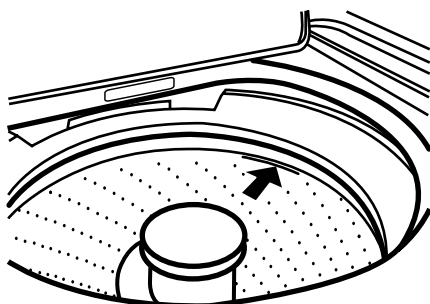
Do not remove ground prong.

Do not use an adapter.

Do not use an extension cord.

Failure to follow these instructions can result in death, fire, or electrical shock.

1. Measure detergent and pour it into the washer. If desired, add powdered or liquid color safe bleach.
2. Drop a sorted load of clothes loosely into your washer.
 - Load evenly to maintain washer balance. Mix large and small items. Items should move easily through the wash water.
 - Load only to the top of the basket as shown. Overloading can cause poor cleaning.

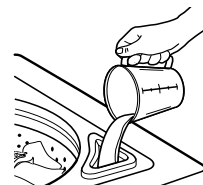


3. (OPTIONAL) Add liquid chlorine bleach.

NOTE: Follow the garment and the chlorine bleach manufacturers' directions for proper use. Undiluted bleach will damage any fabric it touches. The damage appears as rips, holes, tears, or color loss and may not show up until several washings later. To avoid spilling, use a cup with a pouring spout. Do not let bleach splash, drip, or run down into the washer basket. Always measure liquid chlorine bleach. Do not guess. Do not use more than the manufacturer's recommended amount for a full load. Use less with a smaller load size.

Style 1: With liquid chlorine bleach dispenser (on some models)

- Use only liquid chlorine bleach in this dispenser. Do not use this dispenser to add powdered chlorine or color-safe bleach to your load. Pour measured liquid chlorine bleach into the liquid chlorine bleach dispenser. Bleach is immediately fed into washer and is diluted automatically during the wash part of the cycle.



Style 2: Without liquid chlorine bleach dispenser (on some models)

- Let the washer fill and begin agitating the load.
 - Add bleach 5 minutes into the wash cycle for best cleaning and so that bleach can be removed in the rinse cycle. Pour bleach around the agitator, not directly onto the load to avoid damaging clothing or other items in the load.
4. (OPTIONAL) Add liquid fabric softener.
- NOTE:** Do not spill or drip any fabric softener onto the clothes. Undiluted fabric softener can stain fabrics. Always dilute fabric softener with warm water. Using too much fabric softener can make some items (diapers and towels) nonabsorbent. If this happens, do not use it in every load, or use less of it in each load.

Style 1: With liquid fabric softener dispenser (on some models)

- Use only liquid fabric softener in this dispenser. Pour measured liquid fabric softener into the dispenser. Softener is added automatically during the rinse portion of the cycle. Dilute liquid fabric softener by filling the dispenser with warm water until liquid reaches the underside of the rim. See max fill line arrows.



Style 2: Without liquid fabric softener dispenser (on some models)

- In the final rinse only, add fabric softener that has been diluted with ½ to 1 cup (125 to 250 mL) warm water.
5. Close the washer lid. Washer will not agitate or spin with the lid open.
 6. Turn the **LOAD SIZE** or **WATER LEVEL** selector to the correct setting for your wash load and the type of fabric being washed.
 - You may change the load size or water level selection after the washer has started filling by turning the selector to a different setting.
 - On models with a variable Load Size or Water Level control, you should turn the knob to **RESET**, then to desired setting.
 7. Select a Wash Temperature based on the type of fabric and soil being washed. Use the warmest wash water safe for the fabric. Follow garment label instructions.

The Automatic Temperature Control (ATC) (on some models) electronically senses and maintains a uniform water temperature by regulating incoming hot and cold water.

- Even in Cool wash, some warm water is let into the washer to maintain a minimum temperature of approximately 70°F (21°C).

Care Control Temps (on some models) uses Automatic Temperature Control (ATC) to electronically sense and maintain a uniform water temperature by regulating incoming hot and cold water. Care Control Temps provides higher wash temperatures for the more aggressive, heavy-duty cycles and slightly lower temperatures on cycles for delicate and hand wash items, to provide better fabric care.

Temperature Guide

Wash Temp	Suggested Fabrics
Hot Care Control	Whites and pastels Durable garments Heavy soils
Warm Care Control	Bright colors Moderate to light soils
Cool	Colors that bleed or fade Light soils
Cold	Dark colors that bleed or fade Light soils

NOTE: In wash water temperatures colder than 60°F (15.6°C), detergents do not dissolve well. Soils can be difficult to remove. Some fabrics can retain wear wrinkles and have increased pilling (the formation of small lint-like balls on the surface of garments).

8. You can customize your wash by adding rinse Options to your cycle selections. This knob has settings for:
 - Extra Rinse - Selecting this option provides a second rinse. An Extra Rinse can be added to any wash cycle.
 - Cycle Signal - A tone will sound at the end of the cycle. The sound level cannot be adjusted.
 - Extra Rinse & Cycle Signal - This option combines both a Extra Rinse and a Cycle Signal at the end of the wash cycle.
9. Fabric Select (on some models). Each fabric setting is designed for different types of fabric and soil levels. The Fabric Sense™ System (on some models) is an integrated set of controls which work together to provide optimal wash temperatures, agitation times, and agitation/spin speeds based on the Fabric Select setting. The controls provides higher wash temperatures for more aggressive, heavy-duty cycles and slightly lower temperatures on cycles for delicate and hand wash items, to provide better fabric care. The timer knob allows you to decrease agitation time for light soils and increase agitation time for heavy soils.
10. Push in the Timer knob and turn it clockwise to the wash cycle you want. Reduce the wash time when using a small water level setting. Pull out the Timer knob to start the washer.



To stop or restart your washer:

- To stop the washer at any time, push in the Timer knob.
- To restart the washer, close the lid (if open) and pull out the Timer knob.

WASHER CARE

Cleaning Your Washer

Use a soft, damp cloth or sponge to wipe up any spills such as detergent or bleach from the outside of your washer.

Clean your washer interior by mixing 1 cup (250 mL) of chlorine bleach and 2 cups (500 mL) of detergent. Pour this mixture into your washer and run it through a complete cycle using hot water. Repeat this process if necessary.

Remove any hard water deposits using only cleaners labeled as washer safe.

Cleaning the liquid fabric softener dispenser (on some models):

1. Remove dispenser by grasping top with both hands and squeezing, while pushing upward with thumbs.
2. Rinse dispenser under warm water, then replace it.

NOTE: Some models are equipped with a liquid fabric softener dispenser. To avoid damage to the washer or clothing, do not wash clothes with the liquid fabric softener dispenser removed or add detergent or bleach to this dispenser; it is for liquid fabric softener only.

Water Inlet Hoses

Replace inlet hoses after 5 years of use to reduce the risk of hose failure. Periodically inspect and replace inlet hoses if bulges, kinks, cuts, wear or leaks are found.

When replacing your inlet hoses, mark the date of replacement on the label with a permanent marker.

Moving and Storage

Because some water may stay in the hoses, freezing can damage your washer. If storing or moving your washer during freezing weather, winterize it.

Winterizing your washer

1. Shut off both water faucets. Disconnect and drain water inlet hoses. Pour 1 qt (1 L) of R.V.-type antifreeze into the basket.
2. Run washer on a drain and spin setting for about 30 seconds to mix the antifreeze and remaining water.
3. Unplug washer or disconnect power.

To use washer again

1. Flush water pipes and hoses. Reconnect water inlet hoses. Turn on both water faucets.

⚠ WARNING



Electrical Shock Hazard

Plug into a grounded 3 prong outlet.

Do not remove ground prong.

Do not use an adapter.

Do not use an extension cord.

Failure to follow these instructions can result in death, fire, or electrical shock.

2. Plug in washer or reconnect power.
 3. Run the washer through a complete cycle with 1 cup (250 mL) of detergent to clean out antifreeze.
-

Storage, non-use or vacation care

Operate your washer only when you are at home. If you will be on vacation or not using your washer for an extended period of time, you should:

1. Unplug washer or disconnect power.
2. Turn off the water supply to the washer. This helps avoid accidental flooding (due to a water pressure surge) while you are away.

TROUBLESHOOTING

First try the solutions suggested here and possibly avoid the cost of a service call...

Washer and Components

Noisy

- **Is the load balanced and the washer level?** The wash load should be balanced and not overloaded. The washer must be level. The front feet should be properly installed and the nuts tightened. Reset the rear leveling legs (if needed). See the Installation Instructions.
- **Did you completely remove the yellow shipping strap with cotter pins?** See the Installation Instructions.
- **Are the gears engaging after the drain and before spin, or is the upper part of agitator clicking during wash?** These are normal washer noises.

Leaking

- **Check the following:**
 - Are the fill hoses tight?
 - Are the fill hose washers properly seated?
 - Is the drain hose clamp properly installed? See the Installation Instructions.
- **Is the sink or drain clogged?** Sink and standpipe must be able to handle 17 gal. (64 L) of water per minute.
- **Is water deflecting off the tub ring or the load?** Center the tub before starting the washer. The wash load should be balanced and not overloaded. The fill or spray rinses can deflect off the load. The washer must be level. The front feet should be properly installed and the nuts tightened. Reset the rear leveling legs (if needed). See the Installation Instructions.
- **Check household plumbing for leaks.**

Basket crooked

- **Was the washer basket pulled forward during loading?** Push the basket to the center before starting wash.
- **Is the load balanced and the washer level?** The wash load should be balanced and not overloaded. The washer must be level. The front feet should be properly installed and the nuts tightened. Reset the rear leveling legs (if needed). See the Installation Instructions.
- **The washer basket moves while washing.** This is normal.

Agitator operation

- **The top of the agitator is loose, or moves in only one direction.** This is normal.

Dispensers clogged or bleach leaking

- **Did you follow the manufacturer's directions when adding detergent and fabric softener to the dispensers (on some models)?** Measure detergent and fabric softener. Slowly pour into the dispensers. Wipe up all spills. Dilute fabric softener in the fabric softener dispenser.
- **Did you put powdered or color-safe bleach in the liquid chlorine bleach dispenser (on some models)?** Add powdered or liquid color-safe bleach directly to the basket. Do not use the chlorine bleach dispenser for color-safe bleach.

Washer Operation

Washer won't run, fill, rinse or agitate; washer stops

⚠ WARNING



Electrical Shock Hazard

Plug into a grounded 3 prong outlet.

Do not remove ground prong.

Do not use an adapter.

Do not use an extension cord.

Failure to follow these instructions can result in death, fire, or electrical shock.

- **Is the power cord plugged into a grounded 3 prong outlet?** Plug power cord into a grounded 3 prong outlet.
- **Are you using an extension cord?** Do not use an extension cord.
- **Is the indicator on the Timer knob properly lined up with a cycle?** Turn the Timer knob to the right slightly and pull to start.
- **Are the water inlet valve screens clogged?** Turn off the water and remove inlet hoses from the washer. Remove any accumulated film or particles. Reinstall hoses, turn on water and check for leaks.
- **Are both the hot and cold water faucets turned on?** Turn on the water.
- **Is the water inlet hose kinked?** Straighten the hoses.
- **Does the water level seem too low, or does the washer appear to not fill completely?** The top of the agitator is much higher than the highest water level. This is normal and necessary for clothes to move freely.
- **Has a household fuse blown, or has a circuit breaker tripped?** Replace the fuse or reset the circuit breaker. If the problem continues, call an electrician.
- **Is the washer in a normal pause in the cycle?** The washer pauses for about 2 minutes during certain cycles. Allow the cycle to continue. Some cycles feature periods of agitation and soak.
- **Is the washer overloaded?** Wash smaller loads.
- **Is the lid open?** The lid must be closed during operation. Washer will not agitate or spin with the lid open.

Washer won't drain or spin

- **Is the drain hose clogged, or the end of the drain hose more than 96" (244 cm) above the floor?** See the Installation Instructions for proper installation of drain hose.

- **Is the lid open?** The lid must be closed during operation. Washer will not agitate or spin with the lid open.
- **Is there excessive sudsing?** Always measure detergent. Follow manufacturer's directions. If you have very soft water, you might need to use less detergent.

Washer continues to fill or drain, cycle seems stuck

- **Is the top of drain hose lower than the water level in washer?** The top of the hose must be higher than the water level in the washer for proper operation. See the Installation Instructions.
- **Does the drain hose fit too tightly in the standpipe, or is it taped to the standpipe?** The drain hose should be loose yet fit securely. Do not seal the drain hose with tape. The hose needs an air gap. See the Installation Instructions.

Wash/Rinse temperature not what I selected

- **Are the hot and cold water inlet hoses reversed?** See the Installation Instructions for more information. As your frequency of loads washed increases, the water temperature may decrease for hot and warm temperatures. This is normal.

Washer Results

Load too wet

- **Did you use the right cycle for the load being washed?** Select a cycle with a higher spin speed (if available).
- **Did you use a cold rinse?** Cold rinses leave loads wetter than warm rinses. This is normal.

Residue or lint on load

- **Did you sort properly?** Sort lint givers (towels, chenille) from lint takers (corduroy, synthetics). Also sort by color.
- **Did you overload the washer?** The wash load must be balanced and not overloaded. Clothes should move freely. Lint can be trapped in the load if overloaded. Wash smaller loads.
- **Did you select the correct water level?** The water level should be correct for the load size. Clothes should move freely in the water.
- **Did you use enough detergent?** Follow manufacturer's directions. Use enough detergent to hold the lint in the water.
- **Did you line dry your clothing?** If so, you can expect some lint on the clothing.
- **Check the following:**
 - Was paper or tissue left in the pockets?
 - Is your water colder than 60°F (15.6°C)? Wash water colder than 60°F (15.6°C) may not completely dissolve the detergent.
 - Did you use the proper cycle time for the load? Reducing wash time (duration) is another way to reduce lint.

Stains on load

- **Did you follow the manufacturer's directions when adding detergent and fabric softener?** Measure detergent and fabric softener. Use enough detergent to remove soil and hold it in suspension. Dilute fabric softener and add to the rinse portion of a cycle only. Do not drip fabric softener on clothes.
- **Is there above average iron (rust) in water?** You may need to install an iron filter.

- **Did you properly sort the load?** Sort dark clothes from whites and lights.
- **Did you unload the washer promptly?** To avoid dye transfer, unload the washer as soon as it stops.

Load is wrinkled

- **Did you unload the washer promptly?** Unload the washer as soon as it stops.
- **Did you use the right cycle for the load being washed?** Use the cycle for Casual or Permanent Press clothes or another cycle with low spin speeds (if available) to reduce wrinkling.
- **Did you overload the washer?** The wash load must be balanced and not overloaded. Loads should move freely during washing.

To reduce wrinkling of permanent press clothes and some synthetic knits, use a large load size to provide more space.

- **Are the hot and cold water hoses reversed?** Check that the hot and cold water hoses are connected to the right faucets. See the Installation Instructions.

Load is tangled or twisted

- **Did you overload the washer?** The wash load must be balanced and not overloaded. Loads should move freely during washing.
- **Did you wrap items around the agitator?** Drop items loosely into the washer. Do not wrap items around the agitator.

Gray whites, dingy colors

- **Did you properly sort the load?** Dye transfer can occur when mixing whites and colors in a load. Sort dark clothes from whites and lights.
- **Was the wash temperature too low?** Use hot or warm washes if safe for the load. Make sure your hot water system is adequate to provide a hot water wash.
- **Did you use enough detergent, or do you have hard water?** Use more detergent for washing heavy soils in cold or hard water.
- **Are the hot and cold water hoses reversed?** Check that the hot and cold water hoses are connected to the right faucets. See the Installation Instructions.

Garments damaged

- **Check the following:**
 - Were sharp items removed from pockets before washing? Empty pockets, zip zippers, snap or hook fasteners before washing.
 - Were strings and sashes tied to avoid tangling?
 - Were items damaged before washing? Mend rips and broken threads in seams before washing.
- **Did you overload the washer?** The wash load must be balanced and not overloaded. Loads should move freely during washing.
- **Did you add chlorine bleach properly?** Do not pour chlorine bleach directly onto load. Wipe up bleach spills. Undiluted bleach will damage fabrics. Do not place load items on top of the bleach dispenser when loading and unloading the washer (on some models).
- **Did you follow the manufacturer's care label instructions?**

Notes

INSTRUCCIONES PARA EL USUARIO DE LA LAVADORA

Ayuda o Servicio Técnico

Si necesita ayuda o servicio técnico, por favor consulte la sección "Solución de problemas". Si considera que aún necesita ayuda, siga las instrucciones detalladas a continuación.

Si necesita piezas de repuesto

Si necesita pedir piezas de repuesto, recomendamos que utilice únicamente piezas especificadas de fábrica. Estas piezas encajarán bien y funcionarán debidamente ya que se fabrican con la misma precisión empleada en la fabricación de cada nuevo electrodoméstico WHIRLPOOL®. Para conseguir piezas especificadas de fábrica en su localidad, llame al distribuidor donde adquirió la lavadora o a un centro de servicio autorizado de Whirlpool.

NOTA: Si el cordón eléctrico está dañado, debe sustituirlo por un cordón especial que podrá adquirir en el establecimiento donde compró la lavadora o en un centro de servicio autorizado de Whirlpool.

Para obtener información acerca de la garantía

Póngase en contacto con el distribuidor donde adquirió su lavadora.

SEGURIDAD DE LA LAVADORA

Su seguridad y la seguridad de los demás es muy importante.

Hemos incluido muchos mensajes importantes de seguridad en este manual y en su electrodoméstico. Lea y obedezca siempre todos los mensajes de seguridad.



Este es el símbolo de advertencia de seguridad.

Este símbolo le llama la atención sobre peligros potenciales que pueden ocasionar la muerte o una lesión a usted y a los demás.

Todos los mensajes de seguridad irán a continuación del símbolo de advertencia de seguridad y de la palabra "PELIGRO" o "ADVERTENCIA". Estas palabras significan:

⚠ PELIGRO

Si no sigue las instrucciones de inmediato, usted puede morir o sufrir una lesión grave.

⚠ ADVERTENCIA

Si no sigue las instrucciones, usted puede morir o sufrir una lesión grave.

Todos los mensajes de seguridad le dirán el peligro potencial, le dirán cómo reducir las posibilidades de sufrir una lesión y lo que puede suceder si no se siguen las instrucciones.

INSTRUCCIONES IMPORTANTES DE SEGURIDAD

ADVERTENCIA: Para reducir el riesgo de incendio, choque eléctrico o lesiones a personas al usar su lavadora, siga las precauciones básicas, incluyendo las siguientes:

- Lea todas las instrucciones antes de usar la lavadora.
- No lave artículos que hayan sido previamente limpiados, lavados, remojados o humedecidos con gasolina, solventes para lavar en seco, u otras sustancias inflamables o explosivas ya que éstas emanan vapores que podrían encenderse o causar una explosión.
- No agregue gasolina, solventes para lavar en seco, u otras sustancias inflamables o explosivas al agua de lavado. Estas sustancias emanan vapores que podrían encenderse o causar una explosión.
- En ciertas condiciones, puede generarse gas hidrógeno en un sistema de agua caliente que no se haya usado por dos semanas o un período mayor. **EL GAS HIDRÓGENO ES EXPLOSIVO.** Si no se ha usado el agua caliente durante dicho período, antes de usar la lavadora, abra todos los grifos de agua caliente y deje que corra el agua por varios minutos. Esto liberará todo el gas hidrógeno que se haya acumulado. Debido a la inflamabilidad de dicho gas, no fume ni use una llama abierta durante este lapso.
- No permita que los niños jueguen encima o dentro de la lavadora. Es necesario una supervisión cuidadosa de los niños toda vez que se use la lavadora cerca de ellos.
- Antes de poner la lavadora fuera de servicio o desecharla, quítele la puerta o la tapa.
- No introduzca las manos en la lavadora si el tambor, la tina, o el agitador están funcionando.
- No instale ni almacene esta lavadora donde pudiese estar sometida a la intemperie.
- No trate de forzar los controles.
- No repare ni cambie pieza alguna de la lavadora ni intente realizar tarea alguna de servicio técnico, excepto cuando así se le indique específicamente en este manual o en instrucciones de reparación para el usuario publicadas, que usted entienda y para cuya ejecución cuente con la habilidad necesaria.
- Para obtener información respecto a los requisitos de conexión a tierra, refiérase a los "Requisitos Eléctricos".

GUARDE ESTAS INSTRUCCIONES

USO DE LA LAVADORA

Puesta en marcha de su lavadora

⚠ ADVERTENCIA



Peligro de Incendio

Nunca coloque en la lavadora artículos que estén humedecidos con gasolina o cualquier otro líquido inflamable.

Ninguna lavadora puede eliminar completamente el aceite.

No seque ningún artículo que haya tenido alguna vez cualquier tipo de aceite (incluyendo aceites de cocina).

No seguir estas instrucciones puede ocasionar la muerte, explosión o incendio.

⚠ ADVERTENCIA



Peligro de Choque Eléctrico

Conecte a un contacto de pared de conexión a tierra de 3 terminales.

No quite la terminal de conexión a tierra.

No use un adaptador.

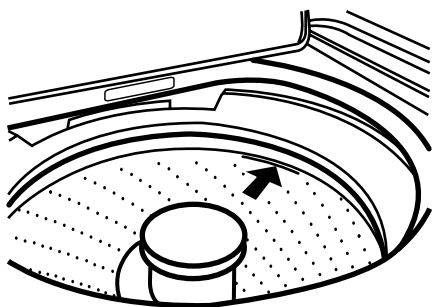
No use un cable eléctrico de extensión.

No seguir estas instrucciones puede ocasionar la muerte, incendio o choque eléctrico.

1. Mida el detergente y viértalo en la lavadora. Agregue blanqueador en polvo o blanqueador líquido no decolorante, si lo desea.
2. Coloque en la lavadora la ropa seleccionada de modo que quede suelta.

- Coloque las prendas de manera uniforme para mantener el equilibrio de la lavadora. Mezcle artículos grandes con artículos pequeños. Las prendas deben moverse con facilidad en el agua de lavado.

- Cargue solamente hasta la parte superior de la canasta, como se muestra. El sobrecargar la lavadora puede causar una limpieza insatisfactoria.

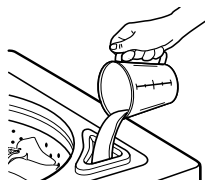


- (OPCIONAL) Agregue el blanqueador líquido con cloro.

NOTA: Siga las instrucciones del fabricante de las prendas y del blanqueador con cloro para el uso adecuado del mismo. El blanqueador no diluido daña cualquier tejido que toque. Estos daños aparecen como rasgaduras, agujeros, roturas o decoloraciones y quizás no aparezcan hasta después de varias lavadas. Use una taza con un pico vertedor para evitar derrames. No deje que el blanqueador salpique, gotee, o corra dentro de la canasta de la lavadora. Siempre mida el blanqueador líquido con cloro. No lo haga al cálculo. Nunca use más de la cantidad recomendada por el fabricante para una carga completa. Use menos con una carga de menor tamaño.

Estilo 1: Con depósito del blanqueador con cloro líquido (en algunos modelos)

- Use solamente blanqueador con cloro líquido en este depósito. No use este depósito para agregar blanqueador en polvo con cloro o blanqueador no decolorante a su carga de lavado. Vierta una medida de blanqueador líquido con cloro en el depósito del blanqueador líquido con cloro. El blanqueador se vierte en la lavadora de inmediato y se diluye automáticamente en la etapa de lavado del ciclo.



Estilo 2: Sin depósito de blanqueador con cloro (en algunos modelos)

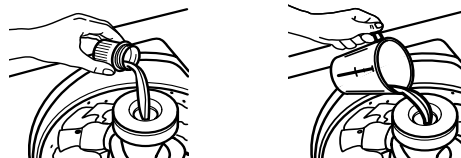
- Deje que la lavadora se llene y comience a agitar la ropa.
- Agregue el blanqueador 5 minutos después de que comience el ciclo de lavado para una mejor limpieza y para que el blanqueador se pueda quitar en el ciclo de enjuague. Vierta el blanqueador alrededor del agitador, no directamente sobre la carga para evitar dañar las prendas u otros artículos de la carga.

- (OPCIONAL) Agregue el suavizante líquido de telas.

NOTA: No derrame o gotee el suavizante de telas sobre las prendas. El suavizante de telas sin diluir puede manchar la tela. Siempre diluya el suavizante de telas con agua tibia. El exceso de suavizante de telas puede quitar la capacidad de absorción de algunos productos (pañales y toallas). Si sucede esto, no lo use siempre o use menos en cada carga.

Estilo 1: Con depósito del suavizante líquido de telas (en algunos modelos)

- Use solamente suavizante de telas líquido en este depósito. Vierta el suavizante líquido de telas en el depósito. El suavizante se incorpora automáticamente durante la etapa de enjuague del ciclo. Diluya el suavizante líquido de telas llenando el depósito con agua tibia hasta que el líquido llegue a la parte inferior del borde. Vea las flechas de la línea máxima de llenado.



Estilo 2: Sin depósito del suavizante líquido de telas (en algunos modelos)

- Agregue el suavizante de telas que ha sido diluido con $\frac{1}{2}$ a 1 taza (125 a 250 mL) de agua tibia solamente en el enjuague final.

- Cierre la tapa de la lavadora. La lavadora no agitará ni exprimirá con la tapa abierta.
- Gire el selector de tamaño de carga (LOAD SIZE) o del nivel de agua (WATER LEVEL) al ajuste adecuado para la carga y el tipo de tela que va a lavar.
 - Usted puede cambiar el tamaño de la carga o del nivel de agua después de que se haya empezado a llenarse la lavadora girando el selector a un ajuste diferente.
 - En modelos con control variable del tamaño de carga o de nivel de agua, debe girar la perilla a reajustar (RESET) y luego al ajuste deseado.
- Seleccione una temperatura de agua de lavado basado en el tipo de tela que esté lavando y el nivel de suciedad. Use la temperatura del agua de lavado más caliente que se pueda que no dañará las telas. Siga las instrucciones de la etiqueta de las prendas.

El control automático de temperatura (CAT) (en algunos modelos) detecta y mantiene electrónicamente una temperatura del agua uniforme regulando la entrada de agua caliente y fría.

- Aún en lavados con agua fría, un poco de agua tibia entra en la lavadora para mantener una temperatura mínima de aproximadamente 70°F (21°C).

Las temperaturas del control de cuidado (en algunos modelos) usan el control automático de temperatura (CAT) para detectar y mantener electrónicamente una temperatura del agua uniforme regulando la entrada de agua caliente y fría. Las temperaturas del control de cuidado proveen temperaturas más altas de lavado para los ciclos más agresivos e intensos, y ligeramente más bajas para los ciclos de artículos delicados y de lavado a mano, para proporcionar el mejor cuidado de las telas.

Guía de la temperatura

Temperatura de lavado	Telas sugeridas
Caliente Control de cuidado	Ropa blanca y de color pastel Prendas durables Suciedad profunda
Tibia Control de cuidado	Colores brillantes Suciedad entre moderada y ligera
Fresca	Colores que destiñen o que se opacan Suciedad ligera
Fría	Colores oscuros que destiñen o que se opacan Suciedad ligera

NOTA: En temperaturas de agua inferiores a 60°F (15,6°C), los detergentes no se disuelven bien. Además puede ser difícil quitar la suciedad. Algunas telas pueden retener las arrugas del uso y aumentar la formación de motitas (la formación de pequeñas bolitas en la superficie de las prendas).

8. Usted puede personalizar su lavado al agregar opciones (Options) de enjuague a sus selecciones de ciclo. Esta perilla tiene ajustes para:
- Enjuague adicional (Extra Rinse) - Al seleccionar esta opción se proveerá un segundo enjuague. Puede agregarse un enjuague adicional a cualquier ciclo de lavado.
 - Señal de ciclo - Se escuchará un tono al final del ciclo. El nivel de sonido no puede regularse.

- Enjuague adicional (Extra Rinse) y Señal de ciclo (Cycle Signal) - Esta opción combina un enjuague adicional y la señal de ciclo al final del ciclo de lavado.

9. Selección de telas (Fabric Select) (en algunos modelos). Cada ajuste de tela fue diseñado para distintos tipos de tela y niveles de suciedad.

El sistema de detección de telas Fabric Sense™ (en algunos modelos) es un conjunto integrado de controles que funcionan juntos para proporcionar temperaturas de lavado, tiempos de agitación y velocidades de agitación/exprimido óptimos según el ajuste de selección de telas (Fabric Select). Los controles proveen temperaturas más altas de lavado para los ciclos más agresivos e intensos, y ligeramente más bajas para los ciclos de artículos delicados y de lavado a mano, para proporcionar el mejor cuidado de las telas. La perilla del temporizador le permite disminuir el tiempo de agitación cuando la suciedad es ligera y aumentarlo cuando la suciedad es profunda.

10. Empuje la perilla del temporizador y gírela en la dirección de las manecillas del reloj hasta el ciclo de lavado que desee. Reduzca el tiempo de lavado cuando use un ajuste bajo de nivel de agua. Jale la perilla del temporizador para poner la lavadora en marcha.



Para detener o volver poner en marcha su lavadora:

- Para detener la lavadora en cualquier momento, empuje la perilla del temporizador.
- Para volver a poner en marcha la lavadora, cierre la tapa (si está abierta) y jale la perilla del temporizador.

CUIDADO DE LA LAVADORA

Cómo limpiar su lavadora

Use un paño o una esponja suave y húmeda para limpiar cualquier derrame, tales como los de detergente o blanqueador, de la parte exterior de su lavadora.

Limpie el interior de su lavadora mezclando 1 taza (250 mL) de blanqueador con cloro y 2 tazas (500 mL) de detergente. Vierta esta mezcla en su lavadora y deje funcionar su lavadora durante un ciclo completo, utilizando agua caliente. Repita este proceso si fuera necesario.

Quite cualquier depósito de agua dura usando solamente productos de limpieza cuya etiqueta indica que pueden emplearse en lavadoras.

Limpieza del depósito del líquido suavizante de telas (en algunos modelos):

1. Quite el depósito agarrando la parte superior con las dos manos y apretándolo, mientras empuja hacia arriba con los pulgares.
2. Enjuague el depósito debajo de agua tibia, y luego vuelva a colocarlo.

NOTA: Algunos modelos tienen un depósito de suavizante líquido de telas. Para evitar daños en la lavadora o en las prendas, no lave la ropa si ha quitado el depósito de suavizante líquido de telas, ni agregue detergente o blanqueador en este depósito ya que es para uso exclusivo del suavizante líquido de telas.

Mangueras de entrada de agua

Reemplace las mangueras de entrada de agua después de 5 años de uso para reducir el riesgo de fallas. Revise periódicamente y cambie las mangueras de entrada si se hallan protuberancias, torceduras, cortes, desgaste o pérdidas de agua. Cuando reemplace sus mangueras de entrada de agua, anote la fecha de reposición en la etiqueta con un marcador permanente.

Mudanza y almacenaje

Debido a que puede quedar un poco de agua en las mangueras, el congelamiento de la misma podría dañar su lavadora. Si va a guardar o trasladar su lavadora durante una temporada de invierno riguroso, acondiciónela para el invierno.

Cómo preparar su lavadora para el invierno

1. Cierre ambos grifos de agua. Desconecte y elimine el agua de las mangueras de entrada de agua. Vierta 1 cuarto (1 L) de anticongelante tipo R.V. en la canasta.
2. Ponga a funcionar la lavadora en un ajuste de desagüe y exprimido por 30 segundos aproximadamente para mezclar el anticongelante y el agua que haya quedado.
3. Desenchufe la lavadora o desconecte el suministro de energía.

Para volver a usar la lavadora

1. Deje correr el agua por los tubos y las mangueras. Vuelva a conectar las mangueras de entrada de agua. Abra ambos grifos de agua.

⚠ ADVERTENCIA



Peligro de Choque Eléctrico

Conecte a un contacto de pared de conexión a tierra de 3 terminales.

No quite la terminal de conexión a tierra.

No use un adaptador.

No use un cable eléctrico de extensión.

No seguir estas instrucciones puede ocasionar la muerte, incendio o choque eléctrico.

2. Enchufe la lavadora o reconecte el suministro de energía.
3. Ponga a funcionar la lavadora por un ciclo completo con 1 taza (250 mL) de detergente para limpiar el anticongelante.

Almacenaje, falta de uso o cuidado durante las vacaciones

Ponga a funcionar su lavadora únicamente cuando esté en casa. Si va a salir de vacaciones o no va a usar la lavadora durante un período prolongado de tiempo usted debe:

1. Desenchufar la lavadora o desconectar el suministro de energía.
2. Interrumpir el suministro de agua a la lavadora. Esto ayuda a evitar inundaciones accidentales (debido a aumentos en la presión del agua) en ausencia suya.

SOLUCIÓN DE PROBLEMAS

En primer lugar, pruebe las soluciones sugeridas aquí y posiblemente se evite el gasto de una llamada de servicio técnico...

Lavadora y componentes

Ruidosos

- **¿Está la carga equilibrada y la lavadora nivelada?** La carga de lavado debe estar equilibrada y sin sobrecarga. La lavadora debe estar nivelada. Las patas delanteras deben estar debidamente instaladas y las tuercas ajustadas. Reajuste las patas niveladoras traseras (de ser necesario). Consulte las Instrucciones de instalación.
- **¿Ha quitado por completo el fleje de transporte amarillo con chavetas?** Consulte las Instrucciones de instalación.
- **¿Están cambiando de velocidad los engranajes después del desagüe y antes del exprimido, o está la parte superior del agitador haciendo chasquidos durante el lavado?** Estos ruidos de la lavadora son normales.

Pierde agua

- **Verifique lo siguiente:**
 - ¿Están ajustadas las mangueras de llenado?
 - ¿Están debidamente colocadas las arandelas de las mangueras de llenado?
 - ¿Se ha instalado debidamente la abrazadera de la manguera de desagüe? Consulte las Instrucciones de instalación.
- **¿Está obstruido el lavadero o el desagüe?** El lavadero y el tubo vertical deben tener la capacidad para desplazar 17 gal. (64 L) de agua por minuto.

- **¿Se está desviando el agua fuera del aro del tambor o de la carga?** Centre el tambor antes de poner la lavadora en marcha. La carga de lavado debe estar equilibrada y sin sobrecarga. El llenado o los enjuagues por rocío pueden desviarse de la carga. La lavadora debe estar nivelada. Las patas delanteras deben estar debidamente instaladas y las tuercas ajustadas. Reajuste las patas niveladoras traseras (de ser necesario). Consulte las Instrucciones de instalación.
- **Revise la plomería de la casa y fíjese si hay fugas de agua.**

La canasta está torcida

- **¿Ha jalado hacia adelante la canasta de la lavadora al cargar la ropa?** Empuje la canasta al centro antes de comenzar a lavar.
- **¿Está la carga equilibrada y la lavadora nivelada?** La carga de lavado debe estar equilibrada y sin sobrecarga. La lavadora debe estar nivelada. Las patas delanteras deben estar debidamente instaladas y las tuercas ajustadas. Reajuste las patas niveladoras traseras (de ser necesario). Consulte las Instrucciones de instalación.
- **La canasta de la lavadora se mueve durante el lavado.** Esto es normal.

Funcionamiento del agitador

- **La parte superior del agitador está floja, o se mueve en una sola dirección.** Esto es normal.

Los depósitos están obstruidos o hay pérdida de blanqueador

- **¿Ha seguido las instrucciones del fabricante cuando agregó el detergente y el suavizante de telas en los depósitos (en algunos modelos)?** Mida el detergente y el suavizante de telas. Viértalos lentamente en los depósitos. Limpie todos los derrames. Diluya el suavizante de telas en el depósito del suavizante de telas.
- **¿Ha puesto blanqueador en polvo o blanqueador no decolorante en el depósito del blanqueador con cloro líquido (en algunos modelos)?** Agregue el blanqueador en polvo o blanqueador líquido no decolorante directamente en la canasta. No use el depósito del blanqueador líquido con cloro para el blanqueador no decolorante.

Funcionamiento de la lavadora

La lavadora no se pone en marcha, no llena, no enjuaga o no agita; la lavadora se detiene

⚠ ADVERTENCIA



Peligro de Choque Eléctrico

Conecte a un contacto de pared de conexión a tierra de 3 terminales.

No quite la terminal de conexión a tierra.

No use un adaptador.

No use un cable eléctrico de extensión.

No seguir estas instrucciones puede ocasionar la muerte, incendio o choque eléctrico.

- **¿Está el cable eléctrico enchufado en un tomacorriente de 3 terminales con conexión a tierra?** Conecte a un contacto de pared de conexión a tierra de 3 terminales.
- **¿Está usando un cable eléctrico de extensión?** No use un cable eléctrico de extensión.
- **¿Está el indicador de la perilla del temporizador debidamente alineado con un ciclo?** Gire la perilla del temporizador ligeramente a la derecha y jálala para poner en marcha.
- **¿Están obstruidos los filtros de la válvula de entrada del agua?** Cierre el agua y quite las mangueras de entrada de la lavadora. Saque cualquier película o partículas que se hayan acumulado. Vuelva a abrir las mangueras, instale el agua y revise si hay fugas de agua.

- **¿Están abiertos los grifos del agua caliente y del agua fría?** Abra el agua.
- **¿Está retorcida la manguera de entrada del agua?** Enderece las mangueras.
- **¿Parece que el nivel del agua está demasiado bajo, o parece que la lavadora no se llena por completo?** La parte superior del agitador está mucho más alta que el nivel más alto del agua. Esto es normal y necesario para el movimiento apropiado de la ropa.
- **¿Hay un fusible de la casa fundido o se disparó el cortacircuitos?** Reemplace el fusible o reposicione el cortacircuitos. Si el problema continúa, llame a un electricista.
- **¿Está la lavadora en una pausa normal en el ciclo?** La lavadora hace una pausa por unos 2 minutos durante ciertos ciclos. Deje continuar el ciclo. Algunos ciclos presentan períodos de agitación y remojo.
- **¿Está sobrecargada la lavadora?** Lave cargas más pequeñas.
- **¿Está abierta la tapa?** La tapa debe estar cerrada durante el funcionamiento. La lavadora no agitará ni exprimirá con la tapa abierta.

La lavadora no desagua ni exprime

- **¿Está obstruida la manguera de desagüe, o está el extremo de la manguera de desagüe a más de 96" (244 cm) por encima del piso?** Vea las Instrucciones de instalación para la instalación adecuada de la manguera de desagüe.
- **¿Está abierta la tapa?** La tapa debe estar cerrada durante el funcionamiento. La lavadora no agitará ni exprimirá con la tapa abierta.
- **¿Hay demasiada espuma?** Siempre mida el detergente. Siga las indicaciones del fabricante. Si tiene agua muy suave, quizás necesite menos detergente.

La lavadora continúa llenando o desaguando, el ciclo parece estar atascado

- **¿Está la parte superior de la manguera de desagüe más baja que el nivel de agua en la lavadora?** Para un funcionamiento adecuado, la parte superior de la manguera debe quedar más alta que el nivel del agua en la lavadora. Consulte las Instrucciones de instalación.
- **¿La manguera de desagüe encaja de manera forzada en el tubo vertical o está adherida con cinta al tubo vertical?** La manguera de desagüe debe estar floja pero debe encajar bien. No selle la manguera de desagüe con cinta adhesiva. La manguera necesita una abertura para el flujo de aire. Consulte las Instrucciones de instalación.

La temperatura de lavado/enjuague no es la que yo seleccioné

- **¿Se han invertido las mangueras de entrada del agua caliente y del agua fría?** Para obtener más información, vea las Instrucciones de Instalación. A medida que aumenta la frecuencia de lavado de las cargas, es posible que disminuya la temperatura para las selecciones de temperatura de agua caliente y tibia. Esto es normal.

Resultados de la lavadora

Ropa demasiado mojada

- **¿Ha empleado el ciclo correcto para la carga que está lavando?** Seleccione un ciclo con un exprimido más fuerte (si está disponible).
- **¿Ha usado un enjuague con agua fría?** Los enjuagues con agua fría dejan las cargas más mojadas que los enjuagues con agua tibia. Esto es normal.

Residuos o pelusa en la ropa

- **¿Ha separado la ropa adecuadamente?** Separe las prendas que sueltan pelusa (toallas, felpilla) de las que atraen pelusa (pana, artículos sintéticos). También separe por color.
- **¿Ha sobrecargado la lavadora?** La carga de lavado debe estar equilibrada y sin sobrecarga. La ropa debe moverse con libertad. Si la lavadora está sobrecargada, la pelusa puede quedar adherida a las prendas. Lave cargas más pequeñas.
- **¿Ha seleccionado el nivel de agua correcto?** El nivel de agua debe ser el apropiado para el tamaño de la carga. La ropa debe moverse con libertad en el agua.
- **¿Ha usado suficiente detergente?** Siga las indicaciones del fabricante. Use suficiente detergente para mantener la pelusa en el agua.
- **¿Ha secado la ropa en el tendedero?** Si es así, es posible que quede algo de pelusa en la ropa.
- **Verifique lo siguiente:**
 - ¿Se dejó papel o pañuelo de papel en los bolsillos?
 - ¿Está la temperatura del agua por debajo de 60°F (15,6°C)? El agua de lavado con una temperatura inferior a 60°F (15,6°C) quizás no disuelva por completo el detergente.
 - ¿Ha usado el tiempo del ciclo apropiado para la carga? Otra manera de reducir la formación de pelusa es reducir el tiempo (la duración) de lavado.

Manchas en la ropa

- **¿Ha seguido las instrucciones del fabricante cuando agregó el detergente y el suavizante de telas?** Mida el detergente y el suavizante de telas. Use suficiente detergente para quitar la suciedad y mantenerla en suspensión. Diluya el suavizante de telas y agréguelo solamente en la porción de enjuague del ciclo. No deje escurrir el suavizante de tejidos sobre la ropa.
- **¿Hay hierro (óxido) por encima del promedio en el agua?** Tal vez necesite instalar un filtro de óxido ferroso.
- **¿Ha separado la ropa adecuadamente?** Separe las prendas de color oscuro de las blancas y claras.
- **¿Ha descargado la lavadora con rapidez?** Para evitar la transferencia de tintes, descargue la lavadora tan pronto como se detenga.

La ropa está arrugada

- **¿Ha descargado la lavadora con rapidez?** Descargue la lavadora tan pronto como se detenga.
- **¿Ha empleado el ciclo correcto para la carga que está lavando?** Use el ciclo para ropa Informal o de Planchado permanente, u otro ciclo con bajas velocidades de exprimido (si está disponible) para reducir arrugas.

- **¿Ha sobrecargado la lavadora?** La carga de lavado debe estar equilibrada y sin sobrecarga. Las prendas deben moverse con facilidad durante el lavado.

Use una carga de tamaño grande para proporcionar mayor espacio y de esta manera reducir las arrugas en las prendas de planchado permanente y algunos tejidos sintéticos.

- **¿Se han invertido las mangueras del agua caliente y del agua fría?** Cerciórese de que las mangueras del agua caliente y del agua fría estén conectadas a las llaves correctas. Consulte las Instrucciones de instalación.

La ropa está enredada o enroscada

- **¿Ha sobrecargado la lavadora?** La carga de lavado debe estar equilibrada y sin sobrecarga. Las prendas deben moverse con facilidad durante el lavado.
- **¿Ha enrollado las prendas alrededor del agitador?** Ponga los artículos de manera suelta en la lavadora. No enrolle los artículos alrededor del agitador.

Ropa blanca grisácea y colores opacos

- **¿Ha separado la ropa adecuadamente?** Siempre que mezcle ropa blanca y de color en una carga puede ocurrir una transferencia de tintes. Separe las prendas de color oscuro de las blancas y claras.
- **¿Estaba la temperatura del agua demasiado baja?** Para lavar use agua caliente o tibia que no afecte la ropa. Cerciórese de que el sistema de agua caliente sea el adecuado para proveer un lavado con agua caliente.
- **¿Ha usado suficiente detergente, o tiene agua dura?** Use más detergente cuando lave prendas con suciedad rebelde en agua fría o dura.
- **¿Se han invertido las mangueras del agua caliente y del agua fría?** Cerciórese de que las mangueras del agua caliente y del agua fría estén conectadas a las llaves correctas. Consulte las Instrucciones de instalación.

Prendas dañadas

- **Verifique lo siguiente:**
 - ¿Se han quitado los artículos puntiagudos de los bolsillos antes del lavado? Vacíe los bolsillos, cierre los zípers, los broches de presión y los corchetes antes del lavado.
 - ¿Se ataron los cordones y fajas para evitar que se enreden?
 - ¿Se dañaron las prendas antes del lavado? Remiende lo que esté roto y descosido antes del lavado.
- **¿Ha sobrecargado la lavadora?** La carga de lavado debe estar equilibrada y sin sobrecarga. Las prendas deben moverse con facilidad durante el lavado.
- **¿Ha agregado correctamente el blanqueador con cloro?** No vierta el blanqueador con cloro directamente en la carga. Limpie los derrames del blanqueador. El blanqueador no diluido daña los tejidos. No coloque los artículos sobre el depósito del blanqueador cuando ponga o quite la ropa de la lavadora (en algunos modelos).
- **¿Ha seguido las instrucciones de la etiqueta de cuidado proporcionadas por el fabricante?**

W10096500

© 2006 Whirlpool Corporation.
All rights reserved.
Todos los derechos reservados.

® Registered Trademark/TM Trademark of Whirlpool, U.S.A.
® Marca registrada/TM marca de fábrica de Whirlpool, U.S.A.

7/06
Printed in U.S.A.
Impreso en EE. UU.