

24" (61 CM) ELECTRIC WASHER/DRYER INSTALLATION INSTRUCTIONS

INSTRUCTIONS POUR L'INSTALLATION DE LA LAVEUSE/SÉCHEUSE ÉLECTRIQUE DE 24" (61 CM)

Table of Contents/ Table des matières

WASHER/DRYER SAFETY..... 1 INSTALLATION INSTRUCTIONS..... 2 Tools and Parts 2 Alternate Parts..... 2 Location Requirements..... 3 Drain System..... 4 Electrical Requirements 4 Venting Requirements..... 5 Install Leveling Legs..... 6 Remove Foam Packing..... 6 Connect Drain Hose..... 6 Connect Inlet Hoses..... 7 Secure Drain Hose 8 Plan Vent System..... 8 Install Vent System..... 10 Level Washer/Dryer..... 10 Connect Vent..... 10 Complete Installation 10	SÉCURITÉ DE LA LAVEUSE/SÉCHEUSE 11 INSTRUCTIONS D'INSTALLATION..... 12 Outillage et pièces 12 Autres pièces 12 Exigences d'emplacement 12 Système de vidange 13 Spécifications électriques..... 14 Exigences concernant l'évacuation..... 15 Installation des pieds de nivellement..... 16 Enlever l'emballage en mousse 16 Raccordement du tuyau de vidange 16 Raccordement des tuyaux d'alimentation .. 17 Immobilisation du tuyau de vidange..... 18 Planification du système d'évacuation..... 18 Installation du système d'évacuation 19 Nivellement de la laveuse/sécheuse 20 Raccordement du conduit d'évacuation 20 Achever l'installation 20
--	---

WASHER/DRYER SAFETY

Your safety and the safety of others are very important.

We have provided many important safety messages in this manual and on your appliance. Always read and obey all safety messages.



This is the safety alert symbol.

This symbol alerts you to potential hazards that can kill or hurt you and others.

All safety messages will follow the safety alert symbol and either the word "DANGER" or "WARNING."

These words mean:

⚠ DANGER

You can be killed or seriously injured if you don't immediately follow instructions.

⚠ WARNING

You can be killed or seriously injured if you don't follow instructions.

All safety messages will tell you what the potential hazard is, tell you how to reduce the chance of injury, and tell you what can happen if the instructions are not followed.

INSTALLATION INSTRUCTIONS

Tools and Parts

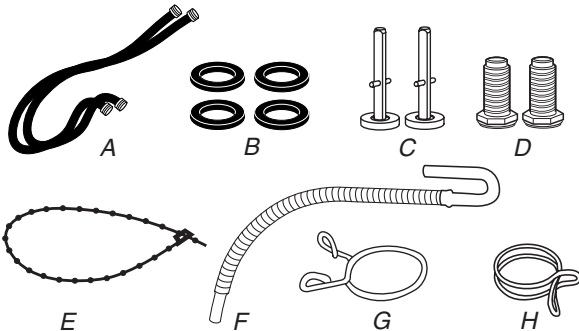
Gather the required tools and parts before starting installation. Read and follow the instructions provided with any tools listed here.

Tools needed:

- #2 Phillips and flat-blade screwdriver
- Adjustable wrench that opens to 1" (2.5 cm) or 9/16" open-end wrench (for adjusting dryer feet)
- 1/4" nut driver or socket wrench
- Tin snips (for new vent installations)
- Caulking gun and compound (for installing new exhaust vent)
- Level
- Knife
- Vent clamps
- Pliers
- Scissors
- Wood block (for leveling)
- Ruler or measuring tape

Parts supplied:

Remove parts package from the washer basket. Check that all parts were included.



- A. Water inlet hoses (2)
- B. Inlet hose flat washers (4)
- C. Rear leveling legs (2)
- D. Front leveling legs (2)
- E. Plastic strap
- F. Drain hose
- G. Yellow, single wire hose clamp
- H. Silver, double wire hose clamp

Parts needed:

Check local codes. Check existing electrical supply and venting, and see "Electrical Requirements" and "Venting Requirements" before purchasing parts.

Mobile home installations require metal exhaust system hardware available for purchase from the dealer from whom you purchased your washer/dryer. For further information, please reference the "Assistance or Service" section of the Washer/Dryer User Instructions.

Alternate Parts

Your installation may require additional parts. For ordering information, please refer to the toll free phone numbers on the front page of the Washer/Dryer User Instructions.

If You Have	You Will Need to Buy
Laundry tub or standpipe taller than 96" (2.4 m)	Sump pump system (if not already available)
1" (2.5 cm) diameter standpipe	2" (5 cm) diameter to 1" (2.5 cm) diameter standpipe adapter, Part Number 3363920
Overhead sewer	Standard 20 gal. (76 L) 34" (86.4 cm) tall drain tub or utility sink and sump pump (available from local plumbing suppliers)
Floor drain	Siphon break, Part Number 285320, additional drain hose, Part Number 285702 and connector kit, Part Number 285442
Drain hose too short	Drain hose, Part Number 285664 and connector kit, Part Number 285442
Lint clogged drain	Drain protector, Part Number 367031
Water faucets beyond reach of fill hoses	2 longer water fill hoses: 6 ft (1.8 m) Part Number 76314, 10 ft (3.0 m) Part Number 350008

Location Requirements

! WARNING



Explosion Hazard

Keep flammable materials and vapors, such as gasoline, away from dryer.

Failure to do so can result in death, explosion, or fire.

You will need

- A location that allows for proper exhaust installation. See "Venting Requirements."
- A separate 30-amp circuit.
- A grounded electrical outlet located within 2 ft (61 cm) of either side of the washer/dryer. See "Electrical Requirements."
- A sturdy floor to support the washer/dryer weight (washer/dryer, water and load) of 500 lbs (226.8 kg).
- A level floor with a maximum slope of 1" (2.5 cm) under entire washer/dryer. Clothes may not tumble properly and automatic sensor cycles may not operate correctly if washer/dryer is not level. Installing on carpet is not recommended.
- A water heater set to deliver 120°F (49°C) water to the washer.
- Hot and cold water faucets located within 4 ft (1.2 m) of the hot and cold water fill valves, and water pressure of 5-100 psi (34.5-689.6 kPa).

The washer/dryer must not be installed or stored in an area where it will be exposed to water and/or weather.

Do not operate your washer in temperatures at or below 32°F (0°C). Some water can remain in the washer and can cause damage in low temperatures. See "Washer/Dryer Care" in the Washer/Dryer User Instructions for winterizing information.

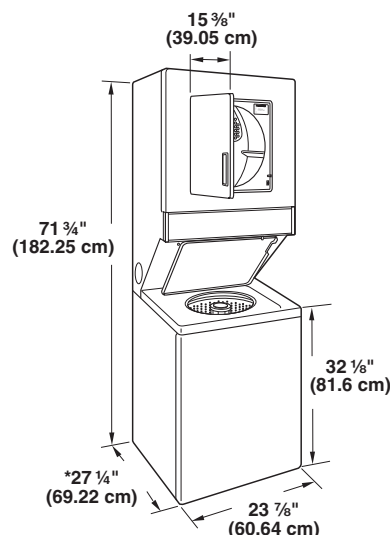
Do not operate your dryer at temperatures below 45°F (7°C). At lower temperatures, the dryer might not shut off at the end of an automatic cycle. This can result in longer drying times.

Check code requirements. Some codes limit, or do not permit, installation of the washer/dryer in garages, closets, mobile homes or sleeping quarters. Contact your local building inspector.

Installation Clearances

The location must be large enough to fully allow the dryer door to open fully.

Washer/Dryer Dimensions

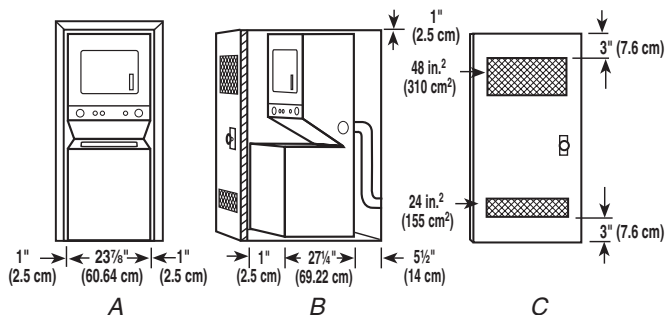


*Most installations require a minimum 5½" (14 cm) clearance behind the dryer for the exhaust vent with elbow. See "Venting Requirements."

Minimum installation spacing for recessed area or closet installation

The following dimensions shown are for the minimum spacings allowed.

- Additional spacing should be considered for ease of installation and servicing.
- Additional clearances might be required for wall, door and floor moldings.
- For closet installation, with a door, minimum ventilation openings in the top and bottom of the door are required. Louvered doors with equivalent ventilation openings are acceptable.
- Rear clearance may be 1" (2.5 cm) when house exhaust system is lined up directly with dryer exhaust.



A. Recessed area
B. Side view - closet or confined area
C. Closet door with vents

Mobile Home - Additional Installation Requirements

This washer/dryer is suitable for mobile home installations. The installation must conform to the Canadian Manufactured Home Standard, CAN/CSA-Z240 MH.

Mobile home installations require:

- Metal exhaust system hardware, which is available for purchase from your dealer.
- Special provisions must be made in mobile homes to introduce outside air into the dryer. The opening (such as a nearby window) should be at least twice as large as the dryer exhaust opening.

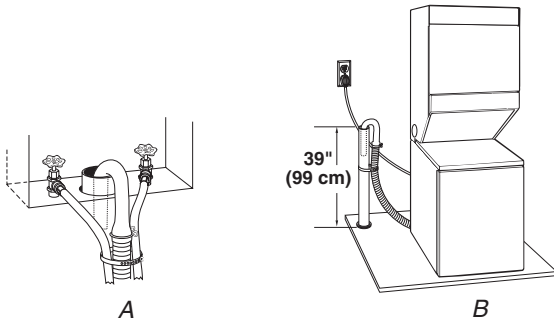
Drain System

The washer/dryer can be installed using the standpipe drain system (floor or wall), the laundry tub drain system, or the floor drain system. Select the drain hose installation method you need. See "Alternate Parts."

Standpipe drain system - wall or floor (views A & B)

The standpipe drain requires a minimum diameter standpipe of 2" (5 cm). The minimum carry-away capacity can be no less than 17 gal. (64 L) per minute. A 2" (5 cm) diameter to 1" (2.5 cm) diameter standpipe adapter kit is available. See "Alternate Parts."

The top of the standpipe must be at least 39" (99 cm) high and no higher than 96" (2.4 m) from the bottom of the washer.



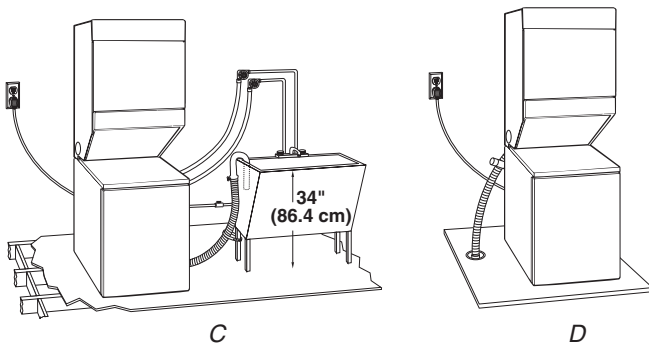
Laundry tub drain system (view C)

The laundry tub needs a minimum 20 gal. (76 L) capacity. The top of the laundry tub must be at least 34" (86.4 cm) above the floor and no higher than 96" (2.4 m) from the bottom of the washer.

Floor drain system (view D)

The floor drain system requires a siphon break that may be purchased separately. See "Alternate Parts."

The siphon break must be a minimum of 28" (71 cm) from the bottom of the washer. Additional hoses might be needed.



Electrical Requirements

⚠ WARNING



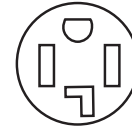
Electrical Shock Hazard

Plug into a grounded 4 prong outlet.

Failure to do so can result in death or electrical shock.

It is your responsibility

- To contact a qualified electrical installer.
- To be sure that the electrical connection is adequate and in conformance with the Canadian Electrical Code, C22.1-latest edition and local codes. A copy of the above codes standard may be obtained from: Canadian Standards Association, 178 Rexdale Blvd., Toronto, ON M9W 1R3 CANADA.
- To supply the required 4 wire, single phase, 120/240 volt, 60 Hz., AC only electrical supply on a separate 30-amp circuit, fused on both sides of the line. A time-delay fuse or circuit breaker is recommended. Connect to an individual branch circuit.
- This dryer is equipped with a CSA International Certified Power Cord intended to be plugged into a standard 14-30R wall receptacle. The cord is 5 ft (1.52 m) in length. Be sure wall receptacle is within reach of dryer's final location.



4-wire receptacle 14-30R

- Do not use an extension cord.

If you are using a replacement power supply cord, it is recommended that you use Power Supply Cord Replacement Part Number 9831317. For further information, please reference the service numbers located in the Washer/Dryer User Instructions.

GROUNDING INSTRUCTIONS

- For a grounded, cord-connected washer/dryer: This washer/dryer must be grounded. In the event of malfunction or breakdown, grounding will reduce the risk of electric shock by providing a path of least resistance for electric current. This washer/dryer is equipped with a cord having an equipment-grounding conductor and a grounding plug. The plug must be plugged into an appropriate outlet that is properly installed and grounded in accordance with all local codes and ordinances.

WARNING: Improper connection of the equipment-grounding conductor can result in a risk of electric shock. Check with a qualified electrician or service representative or personnel if you are in doubt as to whether the washer/dryer is properly grounded. Do not modify the plug provided with the washer/dryer: if it will not fit the outlet, have a proper outlet installed by a qualified electrician.

SAVE THESE INSTRUCTIONS

Venting Requirements

! WARNING



Fire Hazard

Use a heavy metal vent.

Do not use a plastic vent.

Do not use a metal foil vent.

Failure to follow these instructions can result in death or fire.

WARNING: To reduce the risk of fire, this washer/dryer **MUST BE EXHAUSTED OUTDOORS.**

IMPORTANT: Observe all governing codes and ordinances.

The dryer exhaust must not be connected into any gas vent, chimney, wall, ceiling or a concealed space of a building.

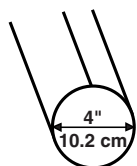
If using an existing vent system

- Clean lint from the entire length of the system and make sure exhaust hood is not plugged with lint.
- Replace any plastic or metal foil vent with rigid or flexible heavy metal vent.
- Review Vent system chart. Modify existing vent system if necessary to achieve the best drying performance.

If this is a new vent system

Vent material

- Use a heavy metal vent. Do not use plastic or metal foil vent.
- 4" (10.2 cm) heavy metal exhaust vent and clamps must be used. DURASAFE™ venting products are recommended.



4" (10.2 cm) heavy metal exhaust vent

DURASAFE™ vent products can be purchased from your dealer or by calling Whirlpool Parts and Accessories. For more information, see the "Assistance or Service" section of the Washer/Dryer User Instructions.

Rigid metal vent

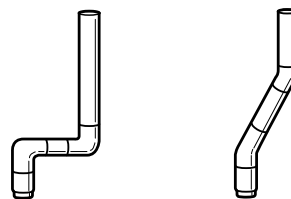
- For best drying performance, rigid metal vents are recommended.
- Rigid metal vent is recommended to avoid crushing and kinking.

Flexible metal vent

- Flexible metal vents are acceptable only if accessible for cleaning.
- Flexible metal vent must be fully extended and supported when the dryer is in its final position.
- Remove excess flexible metal vent to avoid sagging and kinking that may result in reduced airflow and poor performance.
- Do not install flexible metal vent in enclosed walls, ceilings or floors.

Elbows

45° elbows provide better airflow than 90° elbows.

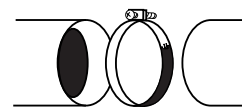


Good

Better

Clamps

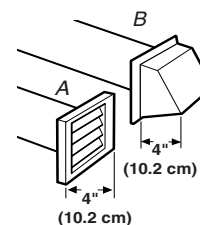
- Use clamps to seal all joints.
- Exhaust vent must not be connected or secured with screws or other fastening devices that extend into the interior of the duct. Do not use duct tape.



Clamp

Exhaust

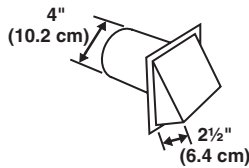
Recommended hood styles are shown here.



A. Louvered hood style

B. Box hood style

The angled hood style (shown here) is acceptable.



- An exhaust hood should cap the vent to keep rodents and insects from entering the home.
- Exhaust hood must be at least 12" (30.5 cm) from the ground or any object that may be in the path of the exhaust (such as flowers, rocks or bushes, snow line, etc.).
- Do not use an exhaust hood with a magnetic latch.

Improper venting can cause moisture and lint to collect indoors, which may result in:

- Moisture damage to woodwork, furniture, paint, wallpaper, carpets, etc.
- Housecleaning problems and health problems.

Install Leveling Legs

⚠ WARNING

Excessive Weight Hazard

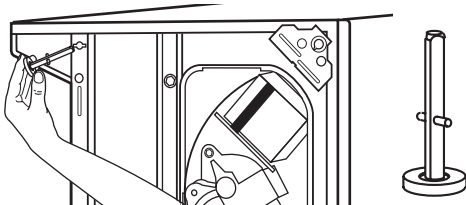
Use two or more people to move and install washer/dryer.

Failure to do so can result in back or other injury.

To protect the floor, use a large flat piece of cardboard from the shipping carton. Gently place the washer/dryer on its side, on the cardboard.

Install the rear leveling legs

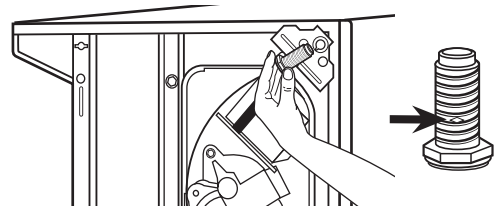
1. Push legs into holes in rear corners until they snap into place.



2. Check adjustability of rear legs by pushing in one leg. The other leg should come out. Check both legs. If they do not move freely, repeat Step 1.

Install the front leveling legs

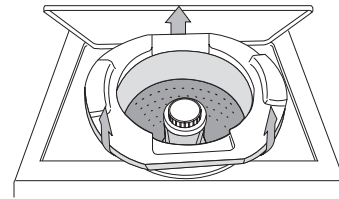
1. Examine the front leveling legs. Find the diamond marking.
2. Screw front legs by hand, into the holes in the triangular braces in the front corners. Use wrench to finish turning the legs until the diamond marking is no longer visible.



3. Slowly stand the washer/dryer upright.

Remove Foam Packing

1. Open the washer lid. The latch under the dryer will keep the lid open.
2. Pull the foam packing ring out of the washer.



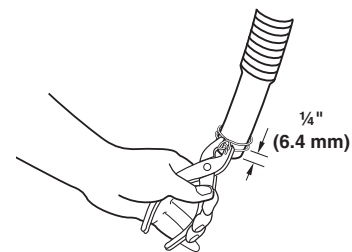
NOTE: Keep the foam ring and use it when transporting your washer/dryer. This packing material is used to keep the washer tub stable during transport.

Connect Drain Hose

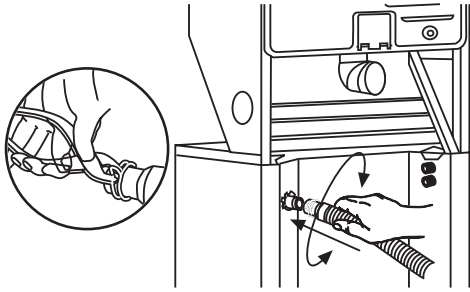
Proper connection of the drain hose protects your floors from damage due to water leakage. To keep the drain hose from coming off or leaking, it must be installed according to the following instructions:

IMPORTANT: To ensure proper installation, this procedure must be followed exactly.

1. Check the drain hose to see whether it is the proper length.
 2. Wet the inside of the straight end of the drain hose with tap water.
- IMPORTANT:** Do not use any lubricant other than water.
3. Squeeze ears of the silver, double-wire clamp with pliers to open. Place clamp over the straight end of the drain hose 1/4" (6.4 mm) from the end.



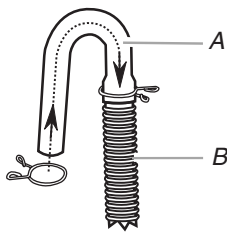
4. Open clamp. Twist hose back and forth while pushing onto drain connector on the side of the washer/dryer. Continue until hose contacts the ribbed stops on the cabinet.



5. Place clamp over the area marked "CLAMP." Release clamp.

For laundry tub or standpipe drain systems

1. Open the yellow, single-wire clamp and slide over the hooked end of the drain hose to secure the rubber and corrugated sections together.



A. Hooked end
B. Drain hose

2. Put the hooked end of drain hose into laundry tub or standpipe. Rotate hook to eliminate kinks.

To keep drain water from going back into the washer:

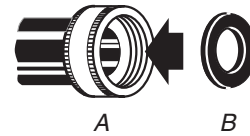
- Do not straighten hooked end of the drain hose and force excess drain hose into standpipe. Hose should be secure but loose enough to provide a gap for air.
- Do not lay excess hose on the bottom of the laundry tub.

For use with floor drain

Remove the drain hose hook from the corrugated drain hose. You may need additional parts. See Floor drain under "Alternate Parts."

Connect Inlet Hoses

1. Insert a new flat washer (supplied) into each end of the inlet hoses. Firmly seat the washers in the couplings.

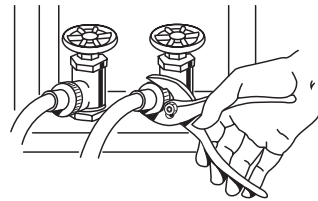


A. Coupling
B. Washer

Connect the inlet hoses to the water faucets

Make sure the washer basket is empty.

2. Attach the hose labeled hot to the hot water faucet. Screw on coupling by hand until it is seated on the washer.
3. Attach the hose labeled cold to the cold water faucet. Screw on coupling by hand until it is seated on the washer.
4. Using pliers, tighten the couplings with an additional two-thirds turn.



NOTE: Do not overtighten or use tape or sealants on the valve. Damage to the valves can result.

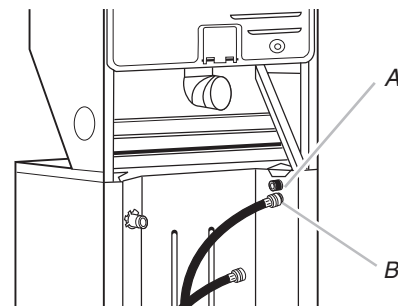
Clear the water lines

- Run water through both faucets and inlet hoses, into a laundry tub, drainpipe or bucket to get rid of particles in the water lines that might clog the inlet valve screens.
- Check the temperature of the water to make sure that the hot water hose is connected to the hot water faucet and that the cold water hose is connected to the cold water faucet.

Connect the inlet hoses to the washer

1. Attach the hot water hose to the bottom inlet valve. Attaching the hot water hose first makes it easier to tighten connection with pliers.
2. Screw on coupling by hand until it is seated on the washer.
3. Using pliers, tighten the couplings with an additional two-thirds turn.

NOTE: Do not overtighten or use tape or sealants on the valve. Damage to the valves can result.



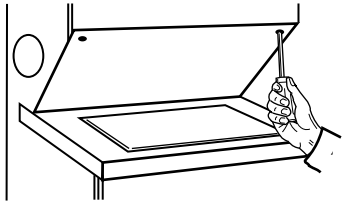
A. Cold water inlet valve (top)
B. Hot water inlet valve (bottom)

4. Attach the cold water hose to the top inlet valve.
5. Screw on coupling by hand until it is seated on the washer.
6. Using pliers, tighten the couplings with an additional two-thirds turn.

NOTE: Do not overtighten or use tape or sealants on the valve. Damage to the valves can result.

If you are working in a closet or recessed area

Move the washer/dryer into its final position and remove cardboard from under washer/dryer. Remove the access panel by removing three Phillips-head screws and one bumper, located at the top of the access panel. Set panel, screw and bumper aside. Complete hookup of water hoses and (on gas models) the flexible gas connector through the access area. Replace access panel upon completion of washer/dryer installation.



Check for leaks

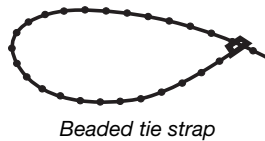
7. Turn on the water faucets and check for leaks. A small amount of water might enter the washer. You will drain this later.

NOTE: Replace inlet hoses after 5 years of use to reduce the risk of hose failure. Record hose installation or replacement dates for future reference.

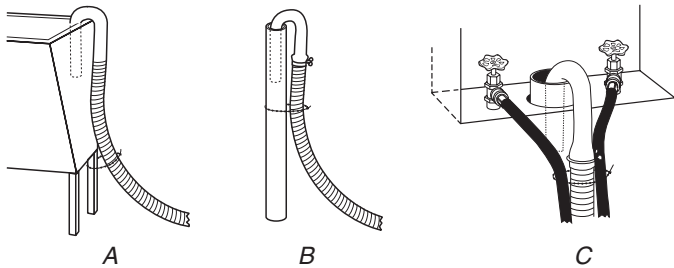
- If you connect only one water hose, you must cap off the remaining water inlet port.
- Periodically inspect and replace hoses if bulges, kinks, cuts, wear or leaks are found.
- The apparatus must be connected to the water faucets using the new hoses. Do not use old hoses.

Secure Drain Hose

1. Move the washer/dryer to its final location and remove any cardboard used to move the washer/dryer.
2. Locate the plastic strap included in the parts package.



3. Wrap the drain hose to the laundry tub leg or standpipe with the plastic strap (A or B below) and secure.



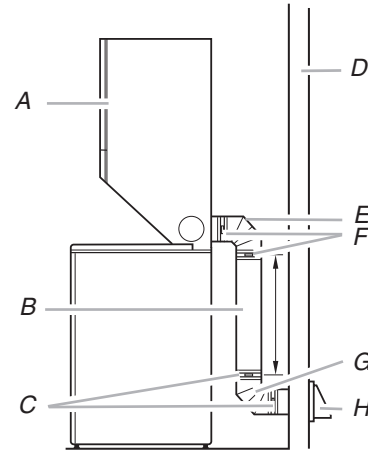
If the water faucets and the drain standpipe are recessed, put the hooked end of the drain hose in the standpipe. Tightly wrap the plastic strap around the water inlet hoses and the drain hose (C above).

Plan Vent System

Choose your exhaust installation type

Recommended exhaust installations

Typical installations vent the dryer from the rear of the washer/dryer. Other installations are possible.



- | | |
|---------------------------------------|-----------------|
| A. Dryer | E. Elbow |
| B. Rigid metal or flexible metal vent | F. Clamps |
| C. Clamps | G. Elbow |
| D. Wall | H. Exhaust hood |

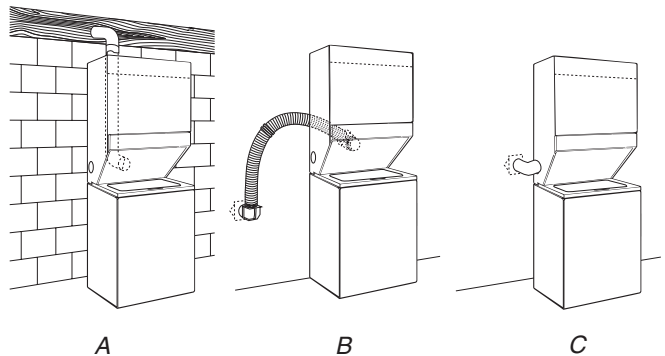
Optional exhaust installations

This washer/dryer can be converted to exhaust out the right or left side. To convert the washer/dryer, use Side Exhaust Kit Part Number 279823. If your washer/dryer was previously exhausted from the right or left side, it can be converted to rear exhaust by using standard offset connections. To cover the hole in the side, one of the following plugs can be added:

692790 (white)

3977784 (biscuit)

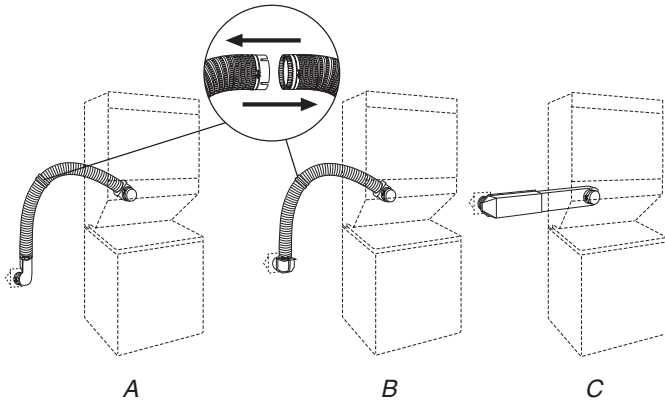
Follow the instructions in the kit to install. Kits are available from the dealer from whom you purchased your washer/dryer.



- A. Standard rear offset exhaust installation
- B. Rear exhaust for offset close clearance connection
- C. Left or right side exhaust installation

Alternate installations for close clearances

Venting systems come in many varieties. Select the type best for your installation. Three close-clearance installations are shown. Refer to the manufacturer's instructions provided with the vent system.



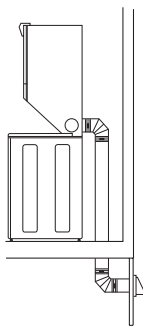
A. Loop system with standard elbows
 B. Loop system with one offset and one standard elbow
 C. Vent system with one periscope (2" [5 cm] clearance)

NOTE: The following kits for close clearance alternate installations are available for purchase. Please reference the "Assistance or Service" section of the Washer/Dryer User Instructions.

- Over-the-Top Installation:
Part Number 4396028
- Periscope Installation (For use with dryer vent to wall vent mismatch):
Part Number 4396037 - 0" (0 cm) to 18" (45.72 cm) mismatch
Part Number 4396011 - 18" (45.72 cm) to 29" (73.66 cm) mismatch
Part Number 4396014 - 29" (73.66 cm) to 50" (127 cm) mismatch

Special provisions for mobile home installations

The exhaust vent must be securely fastened to a noncombustible portion of the mobile home structure and must not terminate beneath the mobile home. Terminate the exhaust vent outside.



Determine vent path

- Select the route that will provide the straightest and most direct path outdoors.
- Plan the installation to use the fewest number of elbows and turns.
- When using elbows or making turns, allow as much room as possible.
- Bend vent gradually to avoid kinking.
- Use the fewest 90° turns possible.

Determine vent length and elbows needed for best drying performance

- Use the Vent system chart below to determine type of vent material and hood combinations acceptable to use.
- NOTE:** Do not use vent runs longer than those specified in the Vent system chart. Exhaust systems longer than those specified will:
- Shorten the life of the dryer.
 - Reduce performance, resulting in longer drying times and increased energy usage.

The Vent system chart provides venting requirements that will help to achieve the best drying performance.

Vent system chart

NOTE: Side exhaust installations add a 90° turn inside the dryer. To determine maximum exhaust length, add one 90° turn to the chart.

Number of 90° turns or elbows	Type of Vent	Box or Louvered hoods	Angled hoods
0	Rigid metal	43 ft (13.1 m)	36 ft (11.0 m)
	Flexible metal	30 ft (9.1 m)	24 ft (7.3 m)
1	Rigid metal	33 ft (10.1 m)	26 ft (7.9 m)
	Flexible metal	24 ft (7.3 m)	18 ft (5.5 m)
2	Rigid metal	24 ft (7.3 m)	16 ft (4.9 m)
	Flexible metal	16 ft (4.9 m)	10 ft (3.0 m)

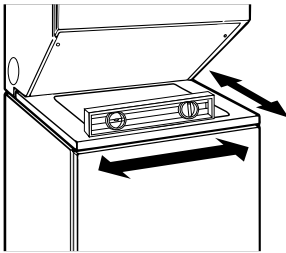
Install Vent System

1. Install exhaust hood. Use caulking compound to seal exterior wall opening around exhaust hood.
2. Connect vent to exhaust hood. Vent must fit inside exhaust hood. Secure vent to exhaust hood with 4" (10.2 cm) clamp.
3. Run vent to dryer location. Use the straightest path possible. See "Determine vent path" in "Plan Vent System." Avoid 90° turns. Use clamps to seal all joints. Do not use duct tape, screws or other fastening devices that extend into the interior of the vent to secure vent.

Level Washer/Dryer

Properly leveling your washer/dryer averts excessive noise and vibration.

1. Check the levelness of the washer/dryer by placing a level on the top edge of the washer, first side to side, then front to back.



2. If the washer/dryer is not level, prop up the front with a wood block and adjust the feet up or down as necessary. Remove wood block and lower washer/dryer. Repeat this step until the washer/dryer is level.

Connect Vent

1. Using a 4" (10.2 cm) clamp, connect vent to exhaust outlet in washer/dryer. If connecting to existing vent, make sure the vent is clean. The vent must fit over the exhaust outlet and inside the exhaust hood. Make sure the vent is secured to exhaust hood with a 4" (10.2 cm) clamp.
2. Move washer/dryer into its final position. Do not crush or kink vent. Make sure washer/dryer is level.

Complete Installation

1. Check that all parts are now installed. If there is an extra part, go back through the steps to see which step was skipped.
2. Check that you have all of your tools.
3. Dispose of/recycle all packaging materials. Keep the plastic foam for use if the washer/dryer should be transported.
4. Check the washer/dryer's final location. Be sure the vent is not crushed or kinked.
5. Check that the washer/dryer is level and front leveling feet are tight. See "Level Washer/Dryer."
6. Plug into a grounded 4 prong outlet. Turn on power.
7. Check that the water faucets are on.
8. Check for leaks around faucets and inlet hoses.
9. Remove the blue protective film on the console and any tape remaining on the washer/dryer.
10. Read the Washer/Dryer User Instructions.
11. Wipe the dryer drum interior thoroughly with a damp cloth to remove any dust.
12. To test the washer, measure ½ the normal recommended amount of detergent and pour it into the washer. Close the lid. Select HEAVY DUTY and pull out the Cycle Control knob. Allow the washer to complete one whole cycle.
13. To test the dryer, set the dryer on a full heat cycle (not an air cycle) for 20 minutes and start the dryer.

If the dryer will not start, check the following:

- Controls are set in a running or "On" position.
 - Start button has been firmly pushed.
 - Washer/dryer is plugged into a grounded outlet.
 - Electrical supply is connected.
 - Household fuse is intact and tight, or circuit breaker has not tripped.
 - Dryer door is closed.
14. When the dryer has been running for 5 minutes, open the dryer door and feel for heat.
- ### If you do not feel heat, turn off the dryer and check the following:
- There may be 2 household fuses or circuit breakers for the dryer. Check to make sure both fuses are intact and tight, or that both circuit breakers have not tripped. If there is still no heat, contact a qualified technician.

NOTE: You may notice a burning odor when dryer is first heated. This odor is common when the heating element is first used. The odor will go away.

INSTRUCTIONS POUR L'INSTALLATION DE LA LAVEUSE/SÉCHEUSE ÉLECTRIQUE DE 24" (61 CM)

SÉCURITÉ DE LA LAVEUSE/SÉCHEUSE

Votre sécurité et celle des autres est très importante.

Nous donnons de nombreux messages de sécurité importants dans ce manuel et sur votre appareil ménager. Assurez-vous de toujours lire tous les messages de sécurité et de vous y conformer.



Voici le symbole d'alerte de sécurité.

Ce symbole d'alerte de sécurité vous signale les dangers potentiels de décès et de blessures graves à vous et à d'autres.

Tous les messages de sécurité suivront le symbole d'alerte de sécurité et le mot "DANGER" ou "AVERTISSEMENT". Ces mots signifient :

⚠ DANGER

Risque possible de décès ou de blessure grave si vous ne suivez pas immédiatement les instructions.

⚠ AVERTISSEMENT

Risque possible de décès ou de blessure grave si vous ne suivez pas les instructions.

Tous les messages de sécurité vous diront quel est le danger potentiel et vous disent comment réduire le risque de blessure et ce qui peut se produire en cas de non-respect des instructions.

INSTRUCTIONS D'INSTALLATION

Outillage et pièces

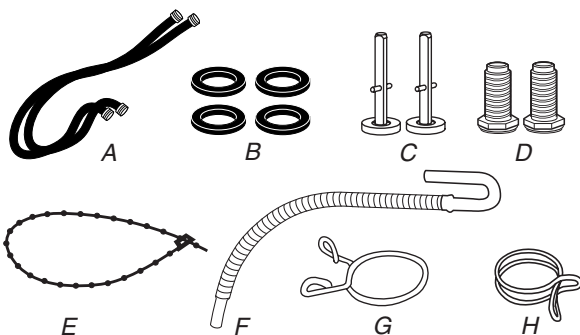
Rassembler les outils et pièces nécessaires avant de commencer l'installation. Lire et suivre les instructions fournies avec les outils indiqués ici.

Outillage requis :

- Tournevis Phillips n° 2 à lame plate
- Clé à molette avec ouverture jusqu'à 1" (2,5 cm) ou clé plate de 5/16" (pour ajuster les pieds de la sècheuse)
- Tourne-écrou ou clé à douille de 1/4"
- Cisaille de ferblantier (pour l'installation d'un nouveau conduit d'évacuation)
- Pistolet à calfeutrage et composé de calfeutrage (pour l'installation d'un nouveau conduit d'évacuation)
- Niveau
- Couteau
- Brides de fixation
- Pince
- Ciseaux
- Bloc de bois (pour nivellement)
- Règle ou ruban à mesurer

Pièces fournies :

Retirer le sachet de pièces du panier de la laveuse. Vérifier que toutes les pièces de la liste sont présentes.



A. Tuyaux d'alimentation d'eau (2)

B. Rondelles plates de tuyau d'alimentation (4)

C. Pieds de nivellement arrière (2)

D. Pieds de nivellement avant (2)

E. Sangle en plastique

F. Tuyau de vidange

G. Bride de fixation jaune, à un fil

H. Bride de fixation argent, à deux fils

Pièces nécessaires :

Consulter les codes locaux. Vérifier l'alimentation électrique et le conduit d'évacuation existants, et consulter les sections "Spécifications électriques" et "Exigences concernant l'évacuation" avant d'acheter les pièces nécessaires.

Les installations pour maison mobile nécessitent un système d'évacuation en métal qui peut être acheté chez le marchand chez qui vous avez acheté votre laveuse/sècheuse. Pour plus d'information, veuillez consulter la section "Assistance ou service" des Instructions pour l'utilisateur de la laveuse/sècheuse.

Autres pièces

Votre installation peut nécessiter des pièces supplémentaires. Pour commander, veuillez consulter les numéros sans frais d'interurbain sur la première page des "Instructions pour l'utilisateur de la laveuse/sècheuse".

Si vous avez	Vous devrez acheter
Évier de buanderie ou tuyau de rejet à l'égout de plus de 96" (2,4 m)	Système de pompe de puisard (si non déjà disponible)
Tuyau de rejet à l'égout de 1" (2,5 cm) de diamètre	Un adaptateur de 2" (5 cm) à 1" (2,5 cm) de diamètre, Pièce n° 3363920
Égout surélevé	Tuyau de vidange standard de 20 gal. (76 L) de 34" (86,4 cm) de haut ou évier de décharge et pompe de puisard (disponibles chez les vendeurs de matériel de plomberie locaux)
Égout au plancher	Brise-siphon, Pièce n° 285320, tuyau de vidange supplémentaire, Pièce n° 285702 et kit de connexion, Pièce n° 285442
Tuyau de vidange trop court	Tuyau de vidange, Pièce n° 285664 et kit de connexion, Pièce n° 285442
Évacuation bouchée par la charpie	Dispositif de protection du système d'évacuation, Pièce n° 367031
Robinet d'eau hors de portée des tuyaux de remplissage	2 tuyaux de remplissage d'eau plus longs : 6 pi (1,8 m), Pièce n° 76314, 10 pi (3,0 m), Pièce n° 350008

Exigences d'emplacement

⚠ AVERTISSEMENT



Risque d'explosion

Garder les matières et les vapeurs inflammables, telle que l'essence, loin de la sècheuse.

Le non-respect de cette instruction peut causer un décès, une explosion ou un incendie.

Il vous faudra

- Un emplacement avec un conduit d'évacuation à proximité. Voir "Exigences concernant l'évacuation".
- Un circuit séparé de 30 A.

- Une prise électrique avec liaison à la terre située à moins de 2 pi (61 cm) de l'un des côtés de la laveuse/sécheuse. Voir "Spécifications électriques".
- Un plancher robuste pour supporter le poids de la laveuse/sécheuse (laveuse/sécheuse, eau et charge) de 500 livres (226,8 kg).
- Un plancher de niveau ayant une pente maximale de 1" (2,5 cm) sous la laveuse/sécheuse. Si la laveuse/sécheuse n'est pas d'aplomb, le linge peut ne pas culbutter convenablement et les programmes commandés par des détecteurs automatiques peuvent ne pas fonctionner correctement. L'installation sur moquette n'est pas recommandée.
- Un chauffe-eau qui fournit de l'eau à 120°F (49°C) à la laveuse.
- Des robinets d'eau chaude et d'eau froide situés à 4 pi (1,2 m) des valves de remplissage d'eau chaude et d'eau froide, et une pression d'eau de 5-100 lb/po² (34,5-689,6 kPa).

La laveuse/sécheuse ne doit pas être installée ou remise dans un endroit où elle sera exposée à l'eau et/ou aux intempéries.

Ne pas faire fonctionner la laveuse à une température de 32°F (0°C) ou moins. Un peu d'eau peut rester dans la laveuse et causer des dommages à basses températures. Voir "Entretien de la laveuse/sécheuse" des Instructions pour l'utilisateur de la laveuse/sécheuse pour les renseignements sur l'hivernisation.

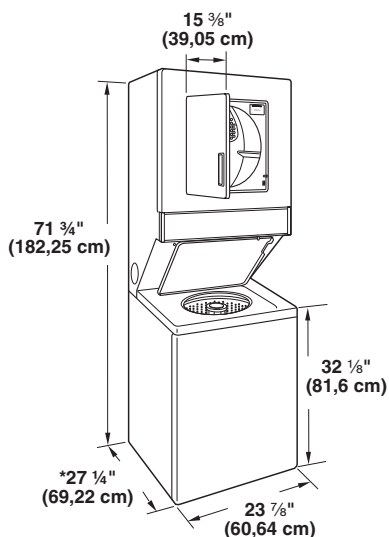
Ne pas faire fonctionner la sécheuse à des températures inférieures à 45°F (7°C). À des températures inférieures, la sécheuse risque de ne pas s'arrêter à la fin d'un programme automatique. Ceci risque de prolonger les durées de séchage.

Vérifier les règlements locaux. Certains codes limitent ou n'autorisent pas l'installation de la laveuse/sécheuse dans un garage, un placard, une maison mobile ou une chambre à coucher. Communiquer avec l'inspecteur des bâtiments local.

Dégagement de séparation à respecter

L'emplacement doit être assez grand pour permettre d'ouvrir complètement la porte de la sécheuse.

Dimensions de la laveuse/sécheuse

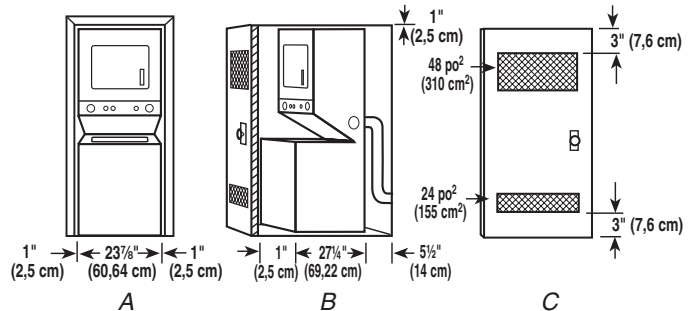


*La plupart des installations requièrent un espace minimum de 5 1/2" (14 cm) derrière la sécheuse pour le conduit d'évacuation avec coude. Voir "Exigences concernant l'évacuation".

Espacement minimum pour une installation dans un encastrement ou dans un placard

Les dimensions indiquées ci-après sont pour les espacements minimums permis.

- On prévoira un peu plus d'espace pour faciliter l'installation et l'entretien.
- Un espace supplémentaire peut être requis pour les moulures de porte et de plancher et pour les plinthes.
- Pour installation dans un placard avec porte, on doit prévoir des ouvertures minimums d'entrée d'air en haut et en bas de la porte. Les portes à claire-voie offrant des ouvertures équivalentes de passage de l'air sont acceptables.
- L'espacement à l'arrière peut être de 1" (2,5 cm) lorsque le système d'évacuation de la maison est aligné directement avec l'évacuation de la sécheuse.



A. Encastrement

B. Vue latérale - placard ou endroit exigu

C. Porte de placard avec orifices d'entrée d'air

Installation dans une maison mobile - autres exigences

Cette laveuse/sécheuse peut être installée dans une maison mobile. L'installation doit être conforme à la norme canadienne sur les maisons préfabriquées CAN/CSA-Z240 MH.

L'installation dans une maison mobile exige :

- Système d'évacuation en métal disponible et en vente en magasin.
- Dispositions spéciales dans les maisons mobiles pour l'apport d'air de l'extérieur dans la sécheuse. L'ouverture (telle qu'une fenêtre à proximité) devrait être au moins deux fois plus grande que l'ouverture de décharge de la sécheuse.

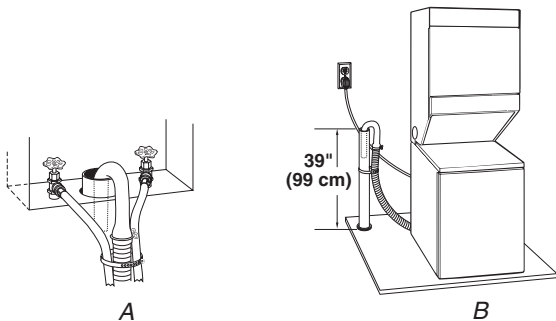
Systeme de vidange

La laveuse/sécheuse peut être installée en utilisant le système de vidange de rejet à l'égout (au plancher ou mural), le système de vidange d'évier de buanderie, ou le système de vidange au plancher. Choisissez la méthode d'installation du tuyau de vidange dont vous avez besoin. Voir "Autres pièces".

Systeme de vidange avec tuyau de rejet à l'égout - mural ou au plancher (illustrations A et B)

La vidange avec tuyau de rejet à l'égout nécessite un tuyau de rejet à l'égout d'un diamètre minimum de 2" (5 cm). La capacité minimum de vidange ne peut pas être de moins de 17 gal. (64 L) par minute. Un adaptateur de 2" (5 cm) à 1" (2,5 cm) de diamètre est disponible pour le tuyau de rejet à l'égout. Voir "Autres pièces".

Le dessus du tuyau de rejet à l'égout doit être au moins à 39" (99 cm) de hauteur et au maximum à 96" (2,4 m) du bas de la laveuse.



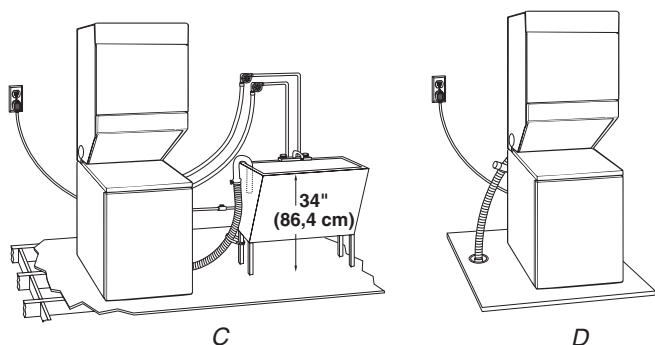
Système de vidange avec évier de buanderie (illustration C)

L'évier de buanderie nécessite une capacité minimum de 20 gal. (76 L). Le dessus de l'évier de buanderie doit être au moins à 34" (86,4 cm) au-dessus du sol et au maximum à 96" (2,4 m) du bas de la laveuse.

Système de vidange par le plancher (illustration D)

Le système de vidange par le plancher nécessite un brise-siphon qui peut être acheté séparément. Voir "Autres pièces".

Le brise-siphon doit être au moins à 28" (71 cm) du bas de la laveuse. Des tuyaux supplémentaires peuvent être requis.



Spécifications électriques

⚠ AVERTISSEMENT



Risque de choc électrique

Brancher sur une prise à 4 alvéoles reliée à la terre.

Le non-respect de cette instruction peut causer un décès ou un choc électrique.

C'est à l'utilisateur qu'incombe la responsabilité de

- Contacter un électricien qualifié.
- S'assurer que les connexions électriques sont adéquates et conformes au Code canadien de l'électricité, C22.1 - dernière édition et à tous les codes locaux. Pour obtenir un exemplaire de la norme des codes ci-dessus, contacter : Association canadienne de normalisation, 178 Rexdale Blvd., Toronto, ON M9W 1R3 CANADA.

- Alimenter l'appareil uniquement par un circuit monophasé de 120/240 volts CA, 60 Hz à 4 fils, sur un circuit séparé de 30 ampères, fusionné aux deux extrémités de la ligne. On recommande d'utiliser un fusible ou un disjoncteur temporisé. On recommande également que cet appareil soit alimenté par un circuit indépendant.
- Cette sècheuse est équipée d'un cordon électrique homologué par la CSA International à introduire dans une prise murale standard 14-30R. Le cordon mesure 5 pi (1,52 m). Veiller à ce que la prise murale se trouve à proximité de l'emplacement définitif de la sècheuse.



Prise murale à 4 fils (14-30R)

- Ne pas utiliser de cordon de rallonge.

Si on utilise un cordon d'alimentation de rechange, il est recommandé d'utiliser le cordon d'alimentation de rechange numéro de pièce 9831317. Pour plus de renseignements, consulter les numéros de service qui se trouvent dans les "Instructions pour l'utilisateur de la laveuse/sècheuse".

INSTRUCTIONS DE LIAISON À LA TERRE

- Pour une laveuse/sècheuse reliée à la terre et connectée par un cordon :

Cette laveuse/sècheuse doit être reliée à la terre. En cas de mauvais fonctionnement ou de panne, la liaison à la terre réduira le risque de choc électrique en offrant au courant électrique un acheminement d'évacuation de moindre résistance. Cette laveuse/sècheuse est alimentée par un cordon électrique comportant un conducteur relié à la terre et une fiche de branchement munie d'une broche de liaison à la terre. La fiche doit être branchée sur une prise appropriée qui est bien installée et reliée à la terre conformément à tous les codes et règlements locaux.

AVERTISSEMENT : Le raccordement incorrect de cet appareil au conducteur de liaison à la terre peut susciter un risque de choc électrique. En cas de doute quant à la qualité de liaison à la terre de la laveuse/sècheuse, consulter un électricien ou un technicien ou un personnel qualifié. Ne pas modifier la fiche de branchement fournie avec la laveuse/sècheuse; si la fiche ne correspond pas à la configuration de la prise de courant, demander à un électricien qualifié d'installer une prise de courant appropriée.

CONSERVEZ CES INSTRUCTIONS

Exigences concernant l'évacuation

⚠ AVERTISSEMENT



Risque d'incendie

Utiliser un conduit d'évacuation en métal lourd.

Ne pas utiliser un conduit d'évacuation en plastique.

Ne pas utiliser un conduit d'évacuation en feuille de métal.

Le non-respect de ces instructions peut causer un décès ou un incendie.

AVERTISSEMENT : Pour réduire le risque d'incendie, cette ensemble de buanderie doit ÉVACUER L'AIR À L'EXTÉRIEUR.

IMPORTANT : Observer les dispositions de tous les codes et règlements en vigueur.

Le conduit d'évacuation de la sècheuse ne doit pas être connecté à une évacuation de gaz, une cheminée, un mur, un plafond ou un vide de construction.

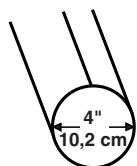
En cas d'utilisation du système d'évacuation existant

- Éliminer la charpie sur toute la longueur du système et veiller à ce que le clapet de décharge ne soit pas obstrué par une accumulation de charpie.
- Remplacer tout conduit de plastique ou de feuille métallique par un conduit de métal lourd rigide ou souple.
- Examiner le tableau de longueur du conduit d'évacuation. Apporter les modifications nécessaires au système d'évacuation pour atteindre le meilleur rendement de séchage.

En cas de nouveau système d'évacuation

Matériel pour l'évacuation

- Utiliser un conduit d'évacuation en métal lourd. Ne pas utiliser un conduit de plastique ou en feuille métallique.
- Utiliser un conduit d'évacuation en métal lourd de 4" (10,2 cm) et des brides de serrage. Les produits d'évacuation DURASAFE™ sont recommandés.



Conduit d'évacuation en métal lourd de 4" (10,2 cm)

Les produits d'évacuation DURASAFE™ peuvent être obtenus chez votre marchand ou en appelant le service Pièces et accessoires de Whirlpool. Pour plus d'information, voir la section "Assistance ou service" des Instructions pour l'utilisateur de la laveuse/sècheuse.

Conduit métallique rigide

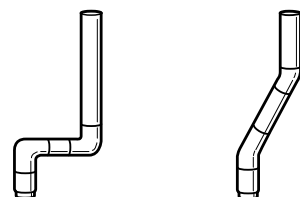
- Pour un meilleur rendement de séchage, on recommande d'utiliser des conduits métalliques rigides.
- On recommande d'utiliser un conduit métallique rigide pour réduire les risques d'écrasement et de déformation.

Conduit métallique flexible

- Les conduits métalliques flexibles sont acceptables seulement dans la mesure où ils sont accessibles en vue du nettoyage.
- Un conduit métallique flexible doit être totalement déployé et soutenu lorsque la sècheuse est à sa position finale.
- Enlever tout excès de conduit flexible pour éviter tout affaissement ou déformation susceptible de réduire la capacité d'évacuation et le rendement.
- Ne pas installer le conduit métallique flexible dans les cavités fermées des murs, plafonds ou planchers.

Coudes

Les coudes à 45° permettent une meilleure circulation de l'air que les coudes à 90°.

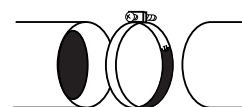


Bon

Meilleur

Brides de serrage

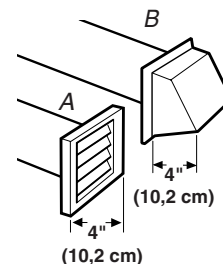
- Utiliser des brides de serrage pour sceller tous les joints.
- Le conduit d'évacuation ne doit pas être connecté ou fixé avec des vis ou avec tout autre dispositif de serrage qui se prolonge à l'intérieur du conduit. Ne pas utiliser de ruban adhésif pour conduit.



Bride de serrage

Évacuation

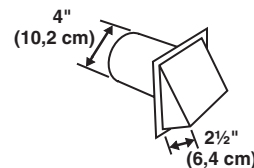
Les styles de clapets recommandés sont illustrés ci-dessous.



A. Clapet à persiennes

B. Clapet de type boîte

Le clapet incliné (illustré ici) est acceptable.



- Terminer le conduit d'évacuation par un clapet de décharge pour empêcher les rongeurs et insectes d'entrer dans l'habitation.
- Le clapet de décharge doit être situé à au moins 12" (30,5 cm) au-dessus du sol ou de tout autre objet susceptible de se trouver sur le trajet de l'air humide rejeté (par exemple, fleurs, roches ou arbustes, limite de la neige, etc.).
- Ne pas utiliser un clapet d'évacuation à fermeture magnétique.

Une mauvaise évacuation de l'air peut causer de l'humidité et une accumulation de charpie à l'intérieur de la maison qui peut causer :

- Dommages par l'humidité aux boiseries, meubles, peinture, papier-peint, tapis, etc.
- Problèmes de nettoyage dans la maison et problèmes de santé.

Installation des pieds de nivellement

⚠ AVERTISSEMENT

Risque du poids excessif

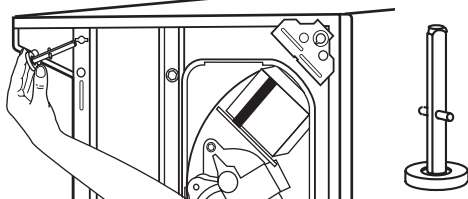
Utiliser deux ou plus de personnes pour déplacer et installer la laveuse/sécheuse.

Le non-respect de cette instruction peut causer une blessure au dos ou d'autre blessure.

Pour protéger le plancher, utiliser une grande pièce plate de carton d'emballage. Placer doucement la laveuse/sécheuse sur le côté, sur le carton.

Installation des pieds de nivellement arrière

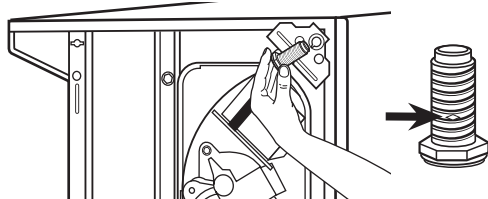
1. Pousser les pieds dans les trous des coins arrière jusqu'à ce qu'ils s'enclenchent.



2. Vérifier que les pieds arrière sont bien en place en poussant sur l'un d'eux. L'autre pied devrait sortir. Vérifier les deux pieds. S'ils ne bougent pas librement, répéter l'étape 1.

Installation des pieds de nivellement avant

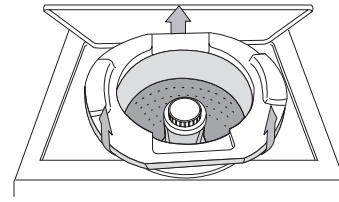
1. Examiner les pieds de nivellement avant. Trouver le symbole de repérage (losange).
2. Visser les pieds avant à la main, dans les trous des emplacements triangulaires aux coins avant. Utiliser une clé à molette pour visser les pieds jusqu'à ce que le symbole de repérage (losange) ne soit plus visible.



3. Placer lentement la laveuse/sécheuse en position verticale.

Enlever l'emballage en mousse

1. Ouvrir le couvercle de la laveuse. Le loquet sous la sècheuse maintiendra le couvercle ouvert.
2. Retirer l'anneau d'emballage en mousse de la laveuse.



REMARQUE : Conserver l'anneau en mousse et l'utiliser lors du transport de la laveuse/sécheuse. Ce matériau d'emballage est utilisé pour maintenir la cuve de la laveuse stable pendant le transport.

Raccordement du tuyau de vidange

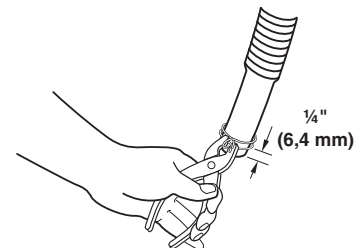
Une bonne connexion du tuyau de vidange protège vos planchers contre les dommages imputables à une fuite d'eau. Pour éviter que le tuyau de vidange se détache ou fuie, l'installer en suivant les instructions ci-dessous.

IMPORTANT : Pour une installation correcte, suivre attentivement les étapes ci-dessous.

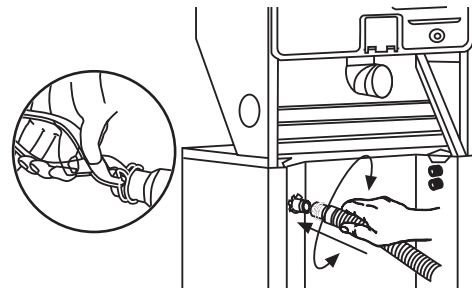
1. Vérifier que le tuyau de vidange a la bonne longueur.
2. Mouiller la surface intérieure de l'extrémité rectiligne du tuyau de vidange avec l'eau du robinet.

IMPORTANT : Ne pas utiliser de lubrifiant autre que de l'eau.

3. Presser les pattes de la bride de fixation argent à deux fils à l'aide d'une pince pour l'ouvrir. Placer la bride sur l'extrémité droite du tuyau de vidange à 1/4" (6,4 mm) du bout.



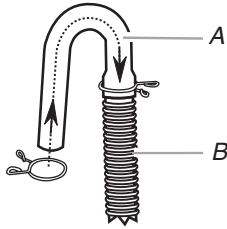
4. Ouvrir la bride de fixation. Tourner le tuyau d'un côté et de l'autre en poussant sur le raccord de vidange sur le côté de la laveuse/sécheuse. Continuer jusqu'à ce que le tuyau soit en contact avec les crans cannelés sur la caisse.



5. Placer la bride à l'endroit indiqué "CLAMP". Relâcher la bride.

Pour systèmes de vidange avec évier de buanderie ou avec tuyau de rejet à l'égout

1. Ouvrir la bride de fixation jaune à un seul fil et la faire glisser sur l'extrémité en crochet du tuyau de vidange pour fixer les sections en caoutchouc et ondulées ensemble.



A. Extrémité en crochet
B. Tuyau de vidange

2. Mettre l'extrémité en crochet du tuyau de vidange dans l'évier de buanderie ou dans le tuyau de rejet à l'égout. Faire pivoter le crochet pour éliminer les déformations.

Pour empêcher l'eau de vidange de refluer dans la laveuse :

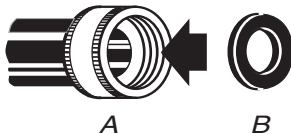
- Ne pas redresser le tuyau de vidange en crochet ni forcer l'excédent de tuyau dans le conduit de rejet à l'égout. Le tuyau doit être bien immobilisé, tout en permettant le passage de l'air.
- Ne pas mettre l'excédent du tuyau de vidange dans l'évier de buanderie.

Pour utilisation avec vidange par le plancher

Retirer le crochet du tuyau de vidange du tuyau de vidange ondulé. Vous pouvez avoir besoin de pièces supplémentaires. Voir Égout au plancher dans "Autres pièces".

Raccordement des tuyaux d'alimentation

1. Insérer une nouvelle rondelle plate (fournie) dans chaque extrémité des tuyaux d'arrivée d'eau. Insérer fermement les rondelles dans les raccords.

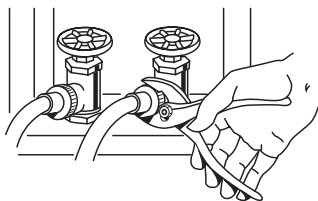


A. Raccord
B. Rondelle

Connecter les tuyaux d'alimentation aux robinets d'eau

S'assurer que le panier de la laveuse est vide.

2. Raccorder le tuyau portant la mention "chaud" au robinet d'eau chaude. Visser le raccord à la main pour qu'il comprime le joint.
3. Raccorder le tuyau portant la mention "froid" au robinet d'eau froide. Visser le raccord à la main pour qu'il comprime le joint.
4. Terminer le serrage des raccords - deux tiers de tour avec une pince.



REMARQUE : Ne pas serrer excessivement ou utiliser du ruban adhésif ou du calfeutrant sur la valve. Les valves risquent d'être endommagées.

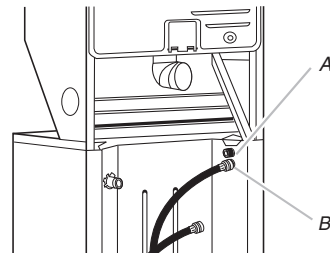
Nettoyer les conduites d'eau

- Laisser l'eau couler des deux robinets et des tuyaux d'alimentation, dans un évier de buanderie, un conduit d'évacuation ou un seau pour éliminer les particules dans les conduites d'eau qui pourraient obstruer les tamis des valves des tuyaux d'alimentation.
- Vérifier la température de l'eau pour s'assurer que le tuyau d'eau chaude est connecté au robinet d'eau chaude et que le tuyau d'eau froide est connecté au robinet d'eau froide.

Connecter les tuyaux d'alimentation à la laveuse

1. Fixer le tuyau d'eau chaude à la valve d'arrivée d'eau en bas. Le fait de fixer d'abord le tuyau d'eau chaude permet de serrer plus facilement la connexion avec une pince.
2. Visser complètement le raccord à la main pour qu'il comprime le joint.
3. Terminer le serrage des raccords - deux tiers de tour avec une pince.

REMARQUE : Ne pas serrer excessivement ou utiliser du ruban adhésif ou du calfeutrant sur la valve. Les valves risquent d'être endommagées.



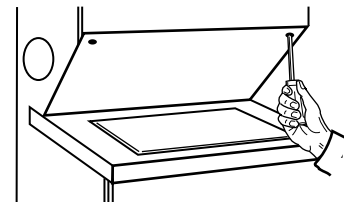
A. Valve du tuyau d'alimentation d'eau froide (haut)
B. Valve du tuyau d'alimentation d'eau chaude (bas)

4. Fixer le tuyau d'eau froide à la valve d'arrivée d'eau en haut.
5. Visser complètement le raccord à la main pour qu'il comprime le joint.
6. Terminer le serrage des raccords - deux tiers de tour avec une pince.

REMARQUE : Ne pas serrer excessivement ou utiliser du ruban adhésif ou du calfeutrant sur la valve. Les valves risquent d'être endommagées.

Pour un placard ou un endroit en retrait

Placer la laveuse/sécheuse à sa position finale et enlever le carton du dessous de la laveuse/sécheuse. Ôter le panneau d'accès en enlevant les trois vis Phillips et un tampon, situés sur le dessus du panneau d'accès. Mettre le panneau, les vis et le tampon de côté. Terminer l'installation des tuyaux d'eau et du connecteur à gaz flexible (sur les modèles à gaz) à l'endroit en retrait. Réinstaller le panneau d'accès après avoir terminé l'installation de la laveuse/sécheuse.



Vérifier s'il y a des fuites

7. Ouvrir les robinets d'eau et vérifier s'il y a des fuites. Une petite quantité d'eau peut entrer dans la laveuse. Vous ferez une vidange plus tard.

REMARQUE : Remplacer les tuyaux d'arrivée d'eau après 5 ans d'utilisation pour réduire le risque de défaillance intempestive. Prendre note de la date d'installation ou de remplacement des tuyaux d'arrivée d'eau, pour référence ultérieure.

- Si on ne raccorde qu'une canalisation d'eau, il faut mettre un bouchon sur l'autre entrée d'arrivée d'eau.
- Inspecter périodiquement les tuyaux; les remplacer en cas de gonflement, d'écrasement, de coupure, d'usure ou si une fuite se manifeste.
- L'appareil doit être raccordé aux robinets d'eau avec des tuyaux neufs. Ne pas utiliser de vieux tuyaux.

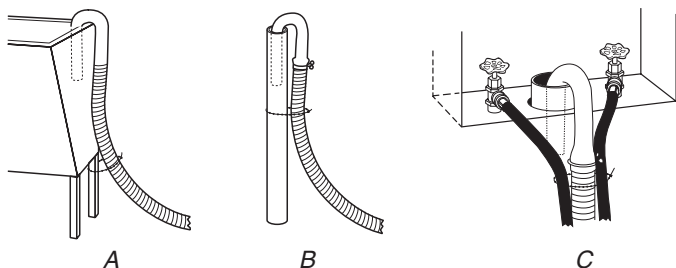
Immobilisation du tuyau de vidange

1. Déplacer la laveuse/sécheuse jusqu'à sa position finale et retirer tout carton utilisé pour déplacer la laveuse/sécheuse.
2. Repérer la sangle en plastique incluse dans le sachet de pièces.



Attache de fixation perlée

3. Attacher le tuyau de vidange au pied de la cuve à lessive ou au tuyau de rejet à l'égout avec la sangle en plastique (A ou B ci-dessous) et bien le fixer.



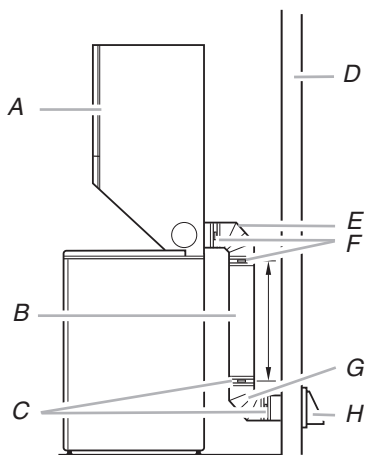
Si les robinets d'eau et le tuyau rigide de rejet à l'égout sont placés en retrait, introduire l'extrémité en col de cygne du tuyau de vidange dans le tuyau rigide de rejet à l'égout. Attacher fermement les tuyaux d'arrivée d'eau et le tuyau de vidange ensemble, avec la sangle de plastique (C ci-dessus).

Planification du système d'évacuation

Choisir un type de système d'évacuation

Installations d'évacuation recommandées

Les installations typiques consistent à acheminer le conduit d'évacuation à l'arrière de la laveuse/sécheuse. D'autres installations sont possibles.



- | | |
|---|------------------------|
| A. Sécheuse | E. Coude |
| B. Conduit d'évacuation métallique rigide ou flexible | F. Brides |
| C. Brides | G. Coude |
| D. Mur | H. Clapet d'évacuation |

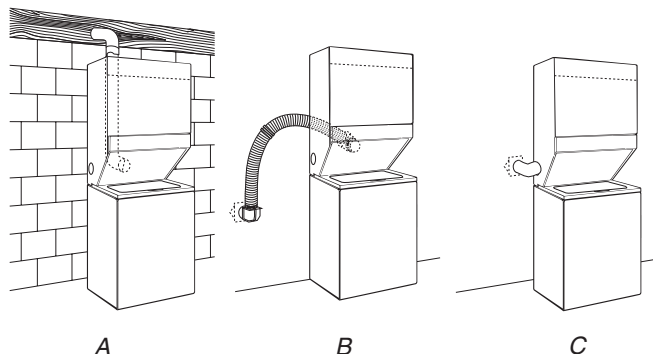
Installations d'évacuation facultatives

Cette laveuse/sécheuse peut s'évacuer par la droite ou par la gauche. Pour convertir la laveuse/sécheuse, utiliser le nécessaire d'évacuation par les côtés Pièce numéro 279823. Si votre laveuse/sécheuse s'évacue par la droite ou par la gauche auparavant, elle peut être convertie à l'évacuation par l'arrière en utilisant des connexions désaxées classiques. Pour recouvrir le trou sur le côté, on peut ajouter l'un des bouchons suivants :

692790 (blanc)

3977784 (biscuit)

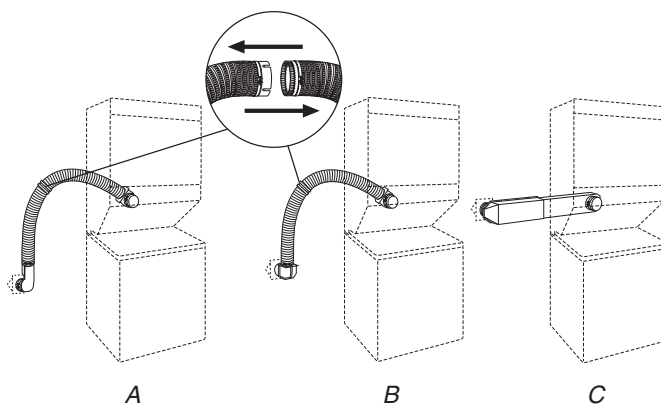
Suivre les instructions dans la trousse d'installation. Les trousse sont disponibles au magasin d'achat.



- A. Acheminement standard du conduit d'évacuation par l'arrière
- B. Évacuation par l'arrière pour connexion désaxée avec dégagement réduit
- C. Acheminement du conduit d'évacuation par la gauche ou par la droite

Autres installations où le dégagement est réduit

Il existe de nombreux systèmes d'évacuation. Choisir le système qui convient le mieux à votre installation. Trois installations à dégagement réduit sont illustrées. Consulter les instructions du fabricant fournies avec le système d'évacuation.



- A. Système dévié avec coudes classiques
- B. Système dévié avec un double coude et un coude classique
- C. Système d'évacuation avec un périscope [dégagement de 2" (5 cm)]

REMARQUE : On peut acheter les trousseaux suivantes pour les installations où le dégagement est réduit. Pour plus d'information, voir la section "Assistance ou service" des Instructions pour l'utilisateur de la laveuse/sécheuse.

■ Installation sur le dessus :

Pièce numéro 4396028

■ Installation avec périscope (Pour utilisation en cas de non-concordance de la bouche de décharge de la sécheuse avec la bouche d'évacuation murale) :

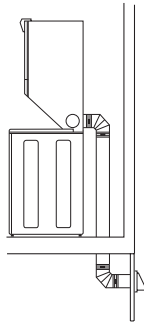
Pièce numéro 4396037 - Non-concordance de 0" (0 cm) à 18" (45,72 cm)

Pièce numéro 4396011 - Non-concordance de 18" (45,72 cm) à 29" (73,66 cm)

Pièce numéro 4396014 - Non-concordance de 29" (73,66 cm) à 50" (127 cm)

Dispositions spéciales pour les installations dans une maison mobile

Le système d'évacuation doit être solidement fixé à une section non combustible de la structure de la maison mobile et ne doit pas se terminer en-dessous de la maison mobile. Faire en sorte que le système d'évacuation se termine à l'extérieur.



Déterminer l'itinéraire d'acheminement du conduit

- Choisir l'itinéraire d'acheminement vers l'extérieur qui sera le plus direct et le plus rectiligne.
- Planifier l'installation pour introduire le nombre minimal de coudes et de changements de direction.
- Si des coudes ou des changements de direction sont utilisés, prévoir autant d'espace que possible.
- Plier le conduit graduellement pour éviter de le déformer.
- Utiliser le moins possible de changements de direction à 90°.

Déterminer la longueur du conduit et les coudes nécessaires pour la meilleure performance de séchage

- Utiliser le tableau des systèmes d'évacuation ci-dessous pour déterminer le type de matériel à utiliser pour le conduit et les combinaisons de clapet acceptables.

REMARQUE : Ne pas utiliser un conduit de longueur supérieure à la valeur spécifiée dans le tableau des systèmes d'évacuation. Si la longueur du circuit est supérieure à la valeur spécifiée dans le tableau, on observera :

- Une réduction de la longévité de la sécheuse.
- Une réduction du rendement, avec temps de séchage plus longs et une plus grande consommation d'énergie.

Le tableau des systèmes d'évacuation fournit les exigences d'évacuation qui vous aideront à atteindre la meilleure performance de séchage.

Tableau des systèmes d'évacuation

REMARQUE : L'évacuation sur le côté ajoute un changement de direction à 90° à l'intérieur de la sécheuse. Pour établir la longueur maximale du conduit, ajouter un changement de direction à 90° au tableau.

Nombre de changements de direction à 90° ou coudes	Type de conduit d'évacuation	Clapets de type boîte ou à persiennes	Clapets inclinés
0	Métallique rigide	43 pi (13,1 m)	36 pi (11,0 m)
	Métallique souple	30 pi (9,1 m)	24 pi (7,3 m)
1	Métallique rigide	33 pi (10,1 m)	26 pi (7,9 m)
	Métallique souple	24 pi (7,3 m)	18 pi (5,5 m)
2	Métallique rigide	24 pi (7,3 m)	16 pi (4,9 m)
	Métallique souple	16 pi (4,9 m)	10 pi (3,0 m)

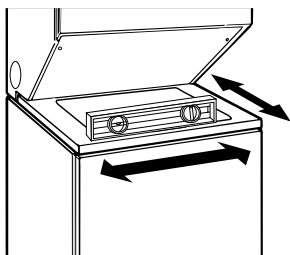
Installation du système d'évacuation

1. Installer le clapet d'évacuation. Calfeutrer l'ouverture murale à l'extérieur autour du clapet d'évacuation.
2. Raccorder le conduit d'évacuation au clapet. Le conduit doit être inséré à l'intérieur du manchon du clapet. Fixer ensemble le conduit et le clapet avec une bride de 4" (10,2 cm).
3. Acheminer le conduit d'évacuation jusqu'à l'emplacement de la sécheuse. Utiliser l'itinéraire le plus rectiligne possible. Voir "Déterminer l'itinéraire d'acheminement du conduit" dans "Planification du système d'évacuation". Éviter les changements de direction de 90°. Utiliser des brides pour sceller tous les joints. Ne pas utiliser de ruban adhésif pour conduit, de vis ou autres dispositifs de fixation qui se prolongeraient à l'intérieur du conduit pour sécuriser l'évacuation.

Nivellement de la laveuse/sécheuse

Un bon aplomb de la laveuse/sécheuse minimisera le bruit excessif et les vibrations.

1. Vérifier l'aplomb de la laveuse/sécheuse en plaçant un niveau sur le bord supérieur de la laveuse, transversalement, puis dans le sens avant arrière.



2. Si l'ensemble de la laveuse/sécheuse n'est pas d'aplomb, placer un bloc de bois à l'avant et ajuster les pieds au besoin. Enlever le bloc de bois et baisser la laveuse/sécheuse. Répéter cette étape jusqu'à l'aplomb parfait de la laveuse/sécheuse.

Raccordement du conduit d'évacuation

1. À l'aide d'une bride de fixation de 4" (10,2 cm), relier le conduit d'évacuation à la bouche d'évacuation de la laveuse/sécheuse. Si on utilise le conduit d'évacuation existant, s'assurer qu'il est propre. Le conduit d'évacuation doit être fixé par-dessus la bouche d'évacuation et à l'intérieur du clapet d'évacuation. S'assurer que le conduit d'évacuation est fixé au clapet d'évacuation à l'aide d'une bride de fixation de 4" (10,2 cm).
2. Placer la laveuse/sécheuse à l'emplacement final. Ne pas écraser ni pincer le conduit d'évacuation. Vérifier que la laveuse/sécheuse est de niveau.

Achever l'installation

1. Vérifier que toutes les pièces sont maintenant installées. S'il reste une pièce, passer en revue les différentes étapes pour découvrir laquelle aurait été oubliée.
2. S'assurer d'avoir tout l'outillage nécessaire.
3. Jeter ou recycler tout le matériel d'emballage. Garder la mousse plastique pour utilisation ultérieure si la laveuse/sécheuse doit être déménagée.
4. Vérifier l'emplacement définitif de la laveuse/sécheuse. S'assurer que le conduit d'évacuation n'est pas écrasé ou pincé.
5. Vérifier que la laveuse/sécheuse est de niveau et que les pieds de nivellement avant sont serrés. Voir "Nivellement de la laveuse/sécheuse".
6. Brancher sur une prise reliée à la terre (à quatre alvéoles). Mettre le courant.
7. Vérifier que chaque robinet d'arrivée d'eau est ouvert.
8. Vérifier s'il y a des fuites autour des robinets et des tuyaux d'arrivée d'eau.
9. Retirer la pellicule de protection bleue sur le panneau de commande et tout ruban qui reste sur la laveuse/sécheuse.
10. Lire les Instructions pour l'utilisateur de la laveuse/sécheuse.
11. Essuyer soigneusement le tambour de la sécheuse avec un chiffon humide pour éliminer toute trace de poussière.
12. Pour tester le fonctionnement de la laveuse, verser la moitié de la quantité normale recommandée de détergent dans la laveuse. Rabattre le couvercle. Sélectionner HEAVY DUTY (service intense) et tirer sur le bouton de commande des programmes. Laisser la machine exécuter le programme complet.
13. Pour tester le fonctionnement de la sécheuse, la régler sur un programme de séchage complet (pas un programme de séchage à l'air) de 20 minutes et mettre la sécheuse en marche.

Si la sécheuse ne démarre pas, vérifier ce qui suit :

- Les commandes sont réglées à la position de marche ou sur "ON".
 - Le bouton de mise en marche a été enfoncé fermement.
 - La laveuse/sécheuse est branchée sur une prise reliée à la terre.
 - L'alimentation électrique est connectée.
 - Les fusibles du domicile sont intacts et serrés, ou le disjoncteur n'est pas déclenché.
 - La porte de la sécheuse est fermée.
14. Après 5 minutes de fonctionnement, ouvrir la porte de la sécheuse et voir s'il y a de la chaleur.

Lorsqu'aucune chaleur n'est perceptible, désactiver la sécheuse et vérifier ce qui suit :

- Il peut y avoir 2 fusibles ou disjoncteurs pour la sécheuse. Vérifier que les deux fusibles sont intacts et serrés ou que les deux disjoncteurs ne sont pas déclenchés. S'il n'y a toujours pas de chaleur, contacter un technicien qualifié.

REMARQUE : Il est possible que la sécheuse dégage une odeur de brûlé lors du chauffage initial. Cette odeur est normale lorsque l'élément chauffant est utilisé pour la première fois. L'odeur disparaîtra.