



STANDARD CLEANING GAS RANGE

Use & Care Guide

For questions about features, operation/performance,
parts, accessories or service, call: **1-800-253-1301**

or visit our website at...
www.whirlpool.com

In Canada, for assistance, installation or service, call:
1-800-807-6777

or visit our website at...
www.whirlpool.ca

ESTUFA A GAS DE LIMPIEZA ESTÁNDAR

Manual de uso y cuidado

Para consultas respecto a características, funcionamiento, rendimiento,
piezas, accesorios o servicio técnico, llame al: **1-800-253-1301**

o visite nuestro sitio web en:
www.whirlpool.com

CUISINIÈRE À GAZ À NETTOYAGE STANDARD

Guide d'utilisation et d'entretien

Au Canada, pour assistance, installation ou service,
composez le **1-800-807-6777**

ou visitez notre site web à
www.whirlpool.ca

Table of Contents/Índice/Table des matières 2

TABLE OF CONTENTS

RANGE SAFETY	3
The Anti-Tip Bracket	4
PARTS AND FEATURES	5
COOKTOP USE	6
Cooktop Controls	6
Surface Burners	6
Home Canning	7
Cookware	7
ELECTRONIC OVEN CONTROL	8
Display	8
Oven Indicator Lights	8
Start	8
Off/Cancel	8
Clock	8
Tones	8
Fahrenheit and Celsius	8
Timer	9
Control Lock	9
Oven Temperature Control	9
OVEN USE	10
Aluminum Foil	10
Positioning Racks and Bakeware	10
Bakeware	10
Oven Vent	10
Baking and Roasting	11
Broiling	11
RANGE CARE	12
General Cleaning	12
Oven Light	13
Oven Door	13
Removing the Oven Bottom	13
TROUBLESHOOTING	14
ASSISTANCE OR SERVICE	15
WARRANTY	16

ÍNDICE

SEGURIDAD DE LA ESTUFA	17
El Soporte antivuelco	18
PIEZAS Y CARACTERÍSTICAS	20
USO DE LA SUPERFICIE DE COCCIÓN	21
Controles de la superficie de cocción	21
Quemadores exteriores	21
Enlatado casero	22
Utensilios de cocina	22
CONTROL ELECTRÓNICO DEL HORNO	23
Pantalla	23
Luces indicadoras del horno	23
Start (Inicio)	23
Off/Cancel (Apagar/Cancelar)	23
Reloj	23
Tonos	23
Fahrenheit y centígrados	23
Temporizador	23
Bloqueo del control	24
Control de temperatura del horno	24

USO DEL HORNO	24
Papel de aluminio	24
Posición de las parrillas y los utensilios para hornear	24
Utensilios para hornear	25
Ducto de escape del horno	25
Cómo hornear y asar	25
Cómo asar	26
CUIDADO DE LA ESTUFA	27
Limpieza general	27
Luz del horno	28
Puerta del horno	28
Para quitar el fondo del horno	28
SOLUCIÓN DE PROBLEMAS	29
AYUDA O SERVICIO TÉCNICO	31
GARANTÍA	32

TABLE DES MATIÈRES

SÉCURITÉ DE LA CUISINIÈRE	33
La bride antibasculement	34
PIÈCES ET CARACTÉRISTIQUES	35
UTILISATION DE LA TABLE DE CUISSON	36
Commandes de la table de cuisson	36
Brûleurs de surface scellés	36
Préparation de conserves à la maison	37
Ustensiles de cuisson	37
COMMANDE ÉLECTRONIQUE DU FOUR	38
Affichage	38
Témoins lumineux du four	38
Mise en marche	38
Arrêt/annulation	38
Horloge	38
Signaux sonores	38
Fahrenheit et Celsius	38
Minuterie	38
Verrouillage des commandes	39
Commande de la température du four	39
UTILISATION DU FOUR	39
Papier d'aluminium	39
Positionnement des grilles et des ustensiles de cuisson	39
Ustensiles de cuisson	40
Évent du four	40
Cuisson au four et rôtissage	40
Cuisson au gril	41
ENTRETIEN DE LA CUISINIÈRE	42
Nettoyage général	42
Lampe du four	43
Porte du four	43
Enlèvement du panneau au fond du four	44
DÉPANNAGE	44
ASSISTANCE OU SERVICE	46
GARANTIE	47

RANGE SAFETY

Your safety and the safety of others are very important.

We have provided many important safety messages in this manual and on your appliance. Always read and obey all safety messages.



This is the safety alert symbol.

This symbol alerts you to potential hazards that can kill or hurt you and others.

All safety messages will follow the safety alert symbol and either the word "DANGER" or "WARNING."

These words mean:

⚠ DANGER

You can be killed or seriously injured if you don't immediately follow instructions.

⚠ WARNING

You can be killed or seriously injured if you don't follow instructions.

All safety messages will tell you what the potential hazard is, tell you how to reduce the chance of injury, and tell you what can happen if the instructions are not followed.

WARNING: If the information in this manual is not followed exactly, a fire or explosion may result causing property damage, personal injury or death.

- Do not store or use gasoline or other flammable vapors and liquids in the vicinity of this or any other appliance.
- **WHAT TO DO IF YOU SMELL GAS:**
 - Do not try to light any appliance.
 - Do not touch any electrical switch.
 - Do not use any phone in your building.
 - Immediately call your gas supplier from a neighbor's phone. Follow the gas supplier's instructions.
 - If you cannot reach your gas supplier, call the fire department.
- Installation and service must be performed by a qualified installer, service agency or the gas supplier.

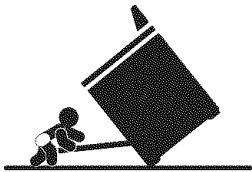
The California Safe Drinking Water and Toxic Enforcement Act requires the Governor of California to publish a list of substances known to the State of California to cause cancer, birth defects, or other reproductive harm, and requires businesses to warn of potential exposure to such substances.

WARNING: This product contains a chemical known to the State of California to cause cancer, birth defects, or other reproductive harm.

This appliance can cause low-level exposure to some of the substances listed, including benzene, formaldehyde, carbon monoxide, toluene, and soot.

The Anti-Tip Bracket

The range will not tip during normal use. However, the range can tip if you apply too much force or weight to the open door without the anti-tip bracket fastened down properly.



⚠ WARNING

Tip Over Hazard

A child or adult can tip the range and be killed.

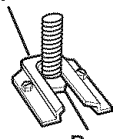
Connect anti-tip bracket to rear range foot.

Reconnect the anti-tip bracket, if the range is moved.

See the installation instructions for details.

Failure to follow these instructions can result in death or serious burns to children and adults.

Anti-Tip Bracket



Range Foot

Making sure the anti-tip bracket is installed:

- Slide range forward.
- Look for the anti-tip bracket securely attached to floor.
- Slide range back so rear range foot is under anti-tip bracket.

IMPORTANT SAFETY INSTRUCTIONS

WARNING: To reduce the risk of fire, electrical shock, injury to persons, or damage when using the range, follow basic precautions, including the following:

- **WARNING:** TO REDUCE THE RISK OF TIPPING OF THE RANGE, THE RANGE MUST BE SECURED BY PROPERLY INSTALLED ANTI-TIP DEVICES. TO CHECK IF THE DEVICES ARE INSTALLED PROPERLY, SLIDE RANGE FORWARD, LOOK FOR ANTI-TIP BRACKET SECURELY ATTACHED TO FLOOR, AND SLIDE RANGE BACK SO REAR RANGE FOOT IS UNDER ANTI-TIP BRACKET.
- **WARNING:** NEVER use this appliance as a space heater to heat or warm the room. Doing so may result in carbon monoxide poisoning and overheating of the oven.
- **WARNING:** NEVER cover any slots, holes or passages in the oven bottom or cover an entire rack with materials such as aluminum foil. Doing so blocks air flow through the oven and may cause carbon monoxide poisoning. Aluminum foil linings may also trap heat, causing a fire hazard.
- **CAUTION:** Do not store items of interest to children in cabinets above a range or on the backguard of a range – children climbing on the range to reach items could be seriously injured.
- Proper Installation – The range, when installed, must be electrically grounded in accordance with local codes or, in the absence of local codes, with the *National Electrical Code, ANSI/NFPA 70*. In Canada, the range must be electrically grounded in accordance with Canadian Electrical Code. Be sure the range is properly installed and grounded by a qualified technician.

- This range is equipped with a three-prong grounding plug for your protection against shock hazard and should be plugged directly into a properly grounded receptacle. Do not cut or remove the grounding prong from this plug.
- Disconnect the electrical supply before servicing the appliance.
- Injuries may result from the misuse of appliance doors or drawers such as stepping, leaning, or sitting on the doors or drawers.
- Maintenance – Keep range area clear and free from combustible materials, gasoline, and other flammable vapors and liquids.
- Storage in or on the Range – Flammable materials should not be stored in an oven or near surface units.
- Top burner flame size should be adjusted so it does not extend beyond the edge of the cooking utensil.

For self-cleaning ranges –

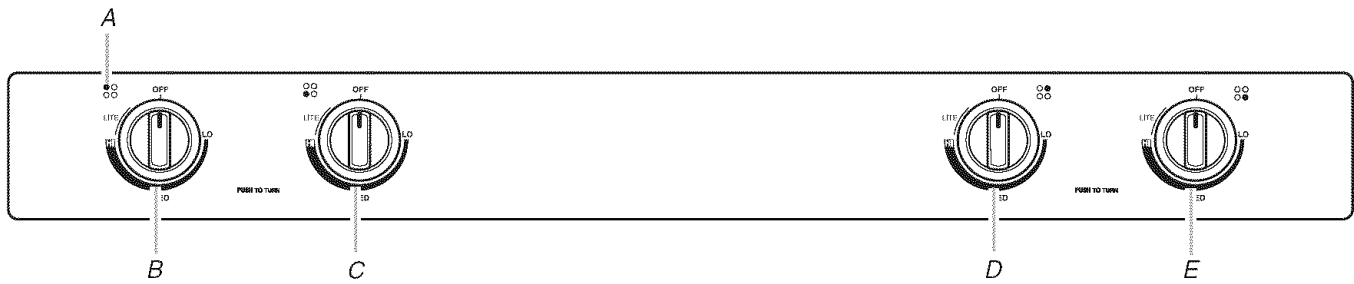
- Before Self-Cleaning the Oven – Remove broiler pan and other utensils. Wipe off all excessive spillage before initiating the cleaning cycle.

SAVE THESE INSTRUCTIONS

PARTS AND FEATURES

This manual covers several different models. The range you have purchased may have some or all of the parts and features listed. The locations and appearances of the features shown here may not match those of your model.

Cooktop Control Panel

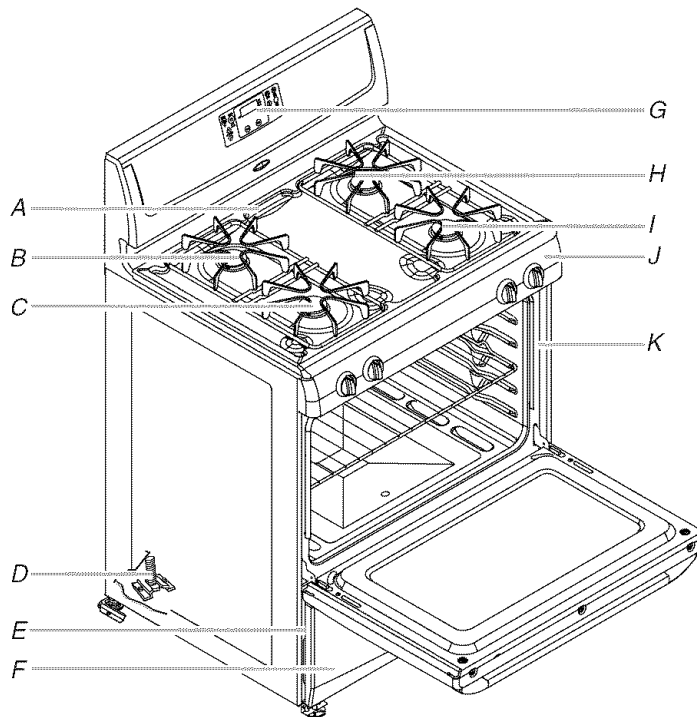


A. Surface burner locator
B. Left rear burner control knob

C. Left front burner control knob
D. Right rear burner control knob

E. Right front burner control knob

Range



A. Oven vent
B. Left rear surface burner and grate
C. Left front surface burner and grate
D. Anti-tip bracket

E. Model and serial number plate
(behind left side of broiler door)
F. Broiler door
G. Electronic oven control

H. Right rear surface burner and grate
I. Right front surface burner and grate
J. Control panel
K. Door gasket

COOKTOP USE

Cooktop Controls

⚠ WARNING



Fire Hazard

Do not let the burner flame extend beyond the edge of the pan.

Turn off all controls when not cooking.

Failure to follow these instructions can result in death or fire.

Electric igniters automatically light the surface burners when control knobs are turned to LITE.

Before setting a control knob, place filled cookware on the grate. Do not operate a burner using empty cookware or without cookware on the grate.

To Set Burner Temperature:

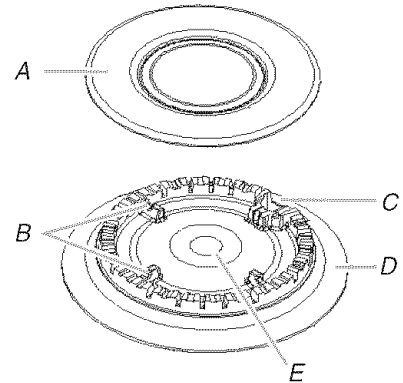
1. Push in and turn knob counterclockwise to LITE.
All four surface burners will click. Only the burner with the control knob turned to LITE will produce a flame.
2. Turn knob to anywhere between HI and LO. The clicking will stop. Use the following chart as a guide when setting heat levels.

SETTING	RECOMMENDED USE
LITE	<ul style="list-style-type: none"> Light the burner.
HI	<ul style="list-style-type: none"> Start food cooking. Bring liquid to a boil.
MEDIUM	<ul style="list-style-type: none"> Hold a rapid boil. Quickly brown or sear food. Fry or sauté foods. Cook soups, sauces and gravies. Stew or steam foods.
LO	<ul style="list-style-type: none"> Keep food warm. Melt chocolate or butter. Simmer.

Power failure

In case of prolonged power failure, the surface burners can be lit manually. Hold a lit match near a burner and turn knob counterclockwise to LITE. After burner lights, turn knob to setting.

Surface Burners

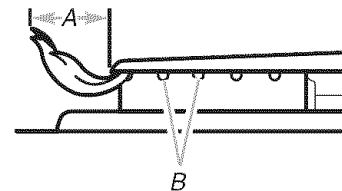


- A. Burner cap
- B. Alignment pins
- C. Igniter
- D. Burner base
- E. Gas tube opening

IMPORTANT: Do not obstruct the flow of combustion and ventilation air around the burner grate edges.

Burner cap: Always keep the burner cap in place when using a surface burner. A clean burner cap will help avoid poor ignition and uneven flames. Always clean the burner cap after a spillover and routinely remove and clean the caps and bases according to the "General Cleaning" section.

Gas tube opening: Gas must flow freely throughout the gas tube opening for the burner to light properly. Keep this area free of soil and do not allow spills, food, cleaning agents or any other material to enter the gas tube opening. Keep spillovers out of the gas tube by always using a burner cap.



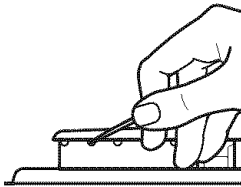
- A. 1-1/2" (25-38 mm)
- B. Burner ports

Burner ports: Check burner flames occasionally for proper size and shape as shown above. A good flame is blue in color, not yellow. Keep this area free of soil and do not allow spills, food, cleaning agents or any other material to enter the burner ports.

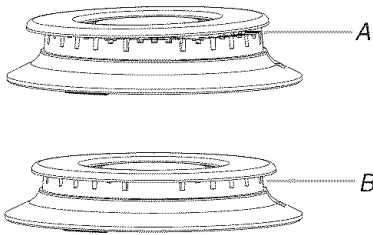
To Clean:

IMPORTANT: Before cleaning, make sure all controls are off and the oven and cooktop are cool. Do not use oven cleaners, bleach or rust removers.

1. Remove the surface burner grates.
2. Remove burner cap from the burner base and clean according to “General Cleaning” section.
3. Clean the gas tube opening with a damp cloth.
4. Clean clogged burner ports with a straight pin as shown. Do not enlarge or distort the port. Do not use a wooden toothpick. If the burner needs to be adjusted, contact a trained repair specialist.



5. Replace the burner cap onto the burner base, making sure the alignment pins are properly aligned with the burner cap.



A. Incorrect
B. Correct

6. Replace surface burner grates.
7. Turn on the burner. If the burner does not light, check cap alignment. If the burner still does not light, do not service the burner yourself. Contact a trained repair specialist.

Home Canning

When canning for long periods, alternate the use of surface burners between batches. This allows time for the most recently used areas to cool.

- Center the canner on the grate.
- Do not place canner on 2 surface burners at the same time.
- For more information, contact your local agricultural department. Companies that manufacture home canning products can also offer assistance.

Cookware

IMPORTANT: Do not leave empty cookware on a hot surface cooking area, element or surface burner.

Ideal cookware should have a flat bottom, straight sides and a well-fitting lid, and the material should be of medium-to-heavy thickness.

Rough finishes may scratch the cooktop or grates. Aluminum and copper may be used as a core or base in cookware. However, when used as a base they can leave permanent marks on the cooktop or grates.

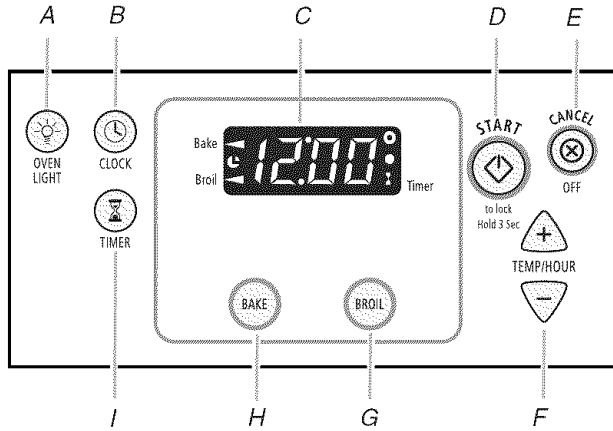
Cookware material is a factor in how quickly and evenly heat is transferred, which affects cooking results. A nonstick finish has the same characteristics as its base material. For example, aluminum cookware with a nonstick finish will take on the properties of aluminum.

Cookware with nonstick surfaces should not be used under the broiler.

Use the following chart as a guide for cookware material characteristics.

COOKWARE	CHARACTERISTICS
Aluminum	<ul style="list-style-type: none">■ Heats quickly and evenly.■ Suitable for all types of cooking.■ Medium or heavy thickness is best for most cooking tasks.
Cast iron	<ul style="list-style-type: none">■ Heats slowly and evenly.■ Good for browning and frying.■ Maintains heat for slow cooking.
Ceramic or Ceramic glass	<ul style="list-style-type: none">■ Follow manufacturer's instructions.■ Heats slowly, but unevenly.■ Ideal results on low to medium heat settings.
Copper	<ul style="list-style-type: none">■ Heats very quickly and evenly.
Earthenware	<ul style="list-style-type: none">■ Follow manufacturer's instructions.■ Use on low heat settings.
Porcelain enamel-on-steel or cast iron	<ul style="list-style-type: none">■ See stainless steel or cast iron.
Stainless steel	<ul style="list-style-type: none">■ Heats quickly, but unevenly.■ A core or base of aluminum or copper on stainless steel provides even heating.

ELECTRONIC OVEN CONTROL



- A. Oven light
B. Clock
C. Display
D. Start (control lock)
E. Off/Cancel
F. Temp/Hour
G. Broil
H. Bake
I. Timer

Display

When power is first supplied to the appliance, a flashing time will appear on the display. Press OFF/CANCEL to clear flashing time from the display.

If flashing time appears, a power failure has occurred. Press OFF/CANCEL and reset the Clock if needed.

When the oven is not in use, the display shows the time of day.

When performing a cook or timer function, the display will show either hours and minutes, or minutes and seconds.

Oven Indicator Lights

The indicator lights are located on both sides of the display. The indicator lights light up or flash when the oven is in one of the following modes: Bake, Broil or Timer.

Start

The START pad begins any oven function. If the START pad is not pressed within 5 seconds after pressing a function pad, the Push to Start ("PSH") indicator light will flash and the push to start tone will sound as a reminder.

If the START pad is not pressed within 1 minute after pressing a function pad, the oven display will return to the time of day mode and the programmed function will be canceled.

Off/Cancel

The OFF/CANCEL pad stops any function except the Clock, Timer and Control Lock.

Clock

This is a 12-hour clock and does not show a.m. or p.m.

To Set:

Before setting, make sure the oven and Timer are off.

1. Press CLOCK.
2. Press the TEMP/HOUR "up" or "down" arrow pads to set the time of day.
3. Press CLOCK or START.

Tones

Tones are audible signals, indicating the following:

One tone

- Valid pad press
- Oven is preheated (long tone)
- Function has been entered

Three tones

- Invalid pad press
- Push to start reminder

Cycling tones

- End of cycle

Fahrenheit and Celsius

The temperature is preset at Fahrenheit, but can be changed to Celsius.

To Change: Press and hold BROIL for 5 seconds. A tone will sound, and "C" will appear on the display. Repeat to change back to Fahrenheit. To exit mode, press OFF/CANCEL.

Timer

The timer can be set in hours or minutes up to 12 hours and 59 minutes, and counts down the set time either in hours and minutes, or in minutes and seconds. The timer does not start or stop the oven.

To Set:

1. Press TIMER. The timer indicator light will light up. If no action is taken after 1 minute, the display will return to the time of day, bake or broil mode.
2. Press the TEMP/HOUR “up” or “down” arrow pads to set the length of time.
3. Press START. When the set time ends, end-of-cycle tones will sound.
4. Press TIMER pad twice anytime to cancel the timer and reminder tones.

If the OFF/CANCEL pad is pressed the oven will turn off and the cook function will be disabled.

To display the time of day for 5 seconds when the timer is counting down, press CLOCK pad.

If the START pad is not pressed within 5 seconds after pressing the TIMER pad or TEMP/HOUR arrow pads, the “PSH” indicator light will flash and the push to start tone will sound as a reminder.

The timer can be reprogrammed while it is running.

To Reprogram:

1. Press TIMER.
2. Press TEMP/HOUR “up” or “down” arrow pads to adjust time.
3. Press START.

Control Lock

The Control Lock function blocks the control panel pads to avoid unintended use of cook functions.

When the control is locked, only the CLOCK set, OVEN LIGHT and TIMER pads will function.

To Lock/Unlock Control: Before locking, make sure the cook functions are off. Press and hold START for 3 seconds and “Loc” will appear on the display. Repeat to unlock. “Loc” will disappear from the display.

Oven Temperature Control

IMPORTANT: Do not use a thermometer to measure oven temperature because opening the oven door may cause the burner cycling to give incorrect readings.

The oven provides accurate temperatures; however, it may cook faster or slower than your previous oven, so the temperature calibration can be adjusted. It can be changed in Fahrenheit or Celsius.

A minus sign means the oven will be cooler by the displayed amount. The absence of a minus sign means the oven will be warmer by the displayed amount. Use the following chart as a guide.

ADJUSTMENT °F (ADJUSTMENT °C)	COOKS FOOD
10°F (5°C)	...a little more
20°F (10°C)	...moderately more
30°F (15°C)	...much more
-10°F (-5°C)	...a little less
-20°F (-10°C)	...moderately less
-30°F (-15°C)	...much less

To Adjust Oven Temperature Calibration:

1. Press and hold BAKE for 5 seconds until the oven display shows the current calibration, for example “00.”
2. Touch the TEMP/HOUR “up” or “down” arrow pad(s) to increase or to decrease the temperature in 10°F (5°C) amounts. The adjustment can be set between 30°F (15°C) and -30°F (-15°C).
3. Press START.

OVEN USE

Odors and smoke are normal when the oven is used the first few times, or when it is heavily soiled.

IMPORTANT: The health of some birds is extremely sensitive to the fumes given off. Exposure to the fumes may result in death to certain birds. Always move birds to another closed and well-ventilated room.

Aluminum Foil

IMPORTANT: To avoid permanent damage to the oven bottom finish, do not line the oven bottom with any type of foil, liners or cookware.

- On those models with bottom vents, do not block or cover the oven bottom vents.
- Do not cover entire rack with foil because air must be able to move freely for best cooking results.
- To catch spills, place foil on rack below dish. Make sure foil is at least ½" (1.3 cm) larger than the dish and that it is turned up at the edges.

Positioning Racks and Bakeware

IMPORTANT: To avoid permanent damage to the porcelain finish, do not place food or bakeware directly on the oven door or bottom.

RACKS

Position racks before turning the oven on. Do not move racks with bakeware on them. Make sure racks are level. For best performance, cook on one rack. Place the rack so the top of food will be centered in the oven. To move a rack, pull it out to the stop position, raise the front edge, then lift out.

FOOD	RACK POSITION
Large roasts, turkeys, angel food, bundt and tube cakes, quick breads, pies	1 or 2
Yeast breads, casseroles, meat and poultry	2
Cookies, biscuits, muffins, cakes	2 or 3

BAKEWARE

To cook food evenly, hot air must be able to circulate. Allow 2" (5 cm) of space around bakeware and oven walls. Use the following chart as a guide.

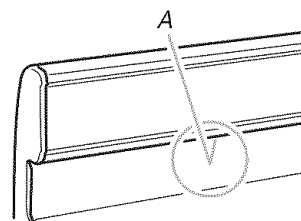
NUMBER OF PAN(S)	POSITION ON RACK
1	Center of rack.
2	Side by side or slightly staggered.
3 or 4	Opposite corners on each rack. Make sure that no bakeware piece is directly over another.

Bakeware

The bakeware material affects cooking results. Follow manufacturer's recommendations and use the bakeware size recommended in the recipe. Use the following chart as a guide.

BAKEWARE/ RESULTS	RECOMMENDATIONS
Light colored aluminum <ul style="list-style-type: none"> ■ Light golden crusts ■ Even browning 	<ul style="list-style-type: none"> ■ Use temperature and time recommended in recipe.
Dark aluminum and other bakeware with dark, dull and/or nonstick finish <ul style="list-style-type: none"> ■ Brown, crisp crusts 	<ul style="list-style-type: none"> ■ May need to reduce baking temperatures 25°F (15°C). ■ Use suggested baking time. ■ For pies, breads and casseroles, use temperature recommended in recipe. ■ Place rack in center of oven.
Insulated cookie sheets or baking pans <ul style="list-style-type: none"> ■ Little or no bottom browning 	<ul style="list-style-type: none"> ■ Place in the bottom third of oven. ■ May need to increase baking time.
Stainless steel <ul style="list-style-type: none"> ■ Light, golden crusts ■ Uneven browning 	<ul style="list-style-type: none"> ■ May need to increase baking time.
Stoneware/Baking stone <ul style="list-style-type: none"> ■ Crisp crusts 	<ul style="list-style-type: none"> ■ Follow manufacturer's instructions.
Ovenproof glassware, ceramic glass or ceramic <ul style="list-style-type: none"> ■ Brown, crisp crusts 	<ul style="list-style-type: none"> ■ May need to reduce baking temperatures 25°F (15°C).

Oven Vent



A. Oven vent

The oven vent releases hot air and moisture from the oven, and should not be blocked or covered. Blocking or covering the oven vent will cause poor air circulation, affecting cooking and cleaning results. Do not set plastics, paper or other items that could melt or burn near the oven vent.

Baking and Roasting

IMPORTANT: To avoid permanent damage to the porcelain finish, do not place food or cookware directly on the oven door or the oven bottom.

Before baking and roasting, position racks according to the "Positioning Racks and Bakeware" section.

To Bake or Roast:

1. Touch BAKE.

Touch TEMP "up" or "down" arrow pads to set a temperature other than 350°F (177°C) in 5°F (3°C) amounts. The bake range can be set between 170°F and 500°F (77°C and 260°C).

2. Touch START.

The temperature can be changed at any time after this step by touching the TEMP/TIME "up" or "down" arrow pads. START does not need to be touched again. If baking/roasting while the Timer is counting down, the set baking/roasting temperature can be displayed for 5 seconds by touching BAKE.

3. Touch OFF/CANCEL when finished.

Preheating

After START is touched, the oven will enter a timed preheat conditioning cycle. The bake indicator light will light up. The Electronic Oven Control automatically selects the conditioning cycle time based on the oven temperature selected. The conditioning cycle time will not change if the temperature is reset before the cycle countdown ends. The preheat conditioning cycle is complete and the oven is ready to use when a 1-second tone sounds, the cycle countdown ends, and the set temperature is displayed.

Preheat temperatures are affected by varying factors such as room temperature and peak energy usage times. It is normal for the temperature showing on the display and the actual oven temperature to differ.

Waiting an additional 10 minutes after the preheat conditioning time ends to put food in the oven is suggested when baking foods with leavening ingredients, such as yeast, baking powder, baking soda and eggs.

Broiling

BROILER

The broiler is located below the oven door. The broiler pan and grid roll out for easy access. Always broil with the broiler drawer and oven door closed.

- To avoid damage to the broiler, do not step on or apply weight to the broiler door while it is open.
- Do not preheat broiler before use. Completely close broiler drawer during broiling.
- Do not use broiler drawer for storage.
- Use only the broiler pan and grid. It is designed to drain juices and help avoid spatter and smoke.
- For proper draining, do not cover the grid with foil. The bottom of the pan may be lined with aluminum foil for easier cleaning.

- Trim excess fat to reduce spattering. Slit the remaining fat on the edges to avoid curling.
- Use tongs to turn food to avoid the loss of juices. Very thin cuts of fish, poultry or meat may not need to be turned.
- After broiling, remove the pan from the oven when removing the food. Drippings will bake on the pan if left in the heated oven, making cleaning more difficult.

To Broil:

1. Open the broiler drawer and take out the broiler pan and grid.
2. Place food on the grid in the broiler pan at the desired broiling position and close the drawer.
3. Touch BROIL.
The BROIL indicator light will light up.
4. Touch START.
The indicator light will light up. The temperature setting can be changed at any time during broiling. If broiling while the Timer is counting down, the set broiling temperature can be displayed for 5 seconds by touching BROIL.
5. Touch OFF/CANCEL when finished broiling.

BROILING CHART

For best results, broiler pan should be rotated at the same time the food is turned. Times are guidelines only and may need to be adjusted for individual foods and tastes.

FOOD	COOK TIME Minutes	
	SIDE 1	SIDE 2
Chicken pieces, bone-in	15-17	15-17
Chicken breasts, boneless	11-13	11-13
Fish Fillets ½ - ¾" (1.25-1.8 cm) thick	7-8	3-4
Frankfurters	5-6	2-3
Ground meat patties ¾" (1.8 cm) thick, well-done*	11-13	6-7
Ham slice, precooked ½" (1.25 cm) thick	6-8	3-4
Lamb chops 1" (2.5 cm) thick	14-17	8-9
Pork chops 1" (2.5 cm) thick	19-21	9-10
Steak 1" (2.5 cm) thick, medium rare, medium	10-12 12-14	5-6 6-7
well-done	16-17	8-9

*Place up to 9 patties, equally spaced, on broiler grid.

RANGE CARE

General Cleaning

IMPORTANT: Before cleaning, make sure all controls are off and the oven and cooktop are cool. Always follow label instructions on cleaning products.

Soap, water and a soft cloth or sponge are suggested first unless otherwise noted.

EXTERIOR PORCELAIN ENAMEL SURFACES (on some models)

Food spills containing acids, such as vinegar and tomato, should be cleaned as soon as the entire appliance is cool. These spills may affect the finish.

Cleaning Method:

- Glass cleaner, mild liquid cleaner or nonabrasive scrubbing pad:
Gently clean around the model and serial number plate because scrubbing may remove numbers.
- All-Purpose Appliance Cleaner Part Number 31662 (not included):
See "Assistance or Service" section to order.

COOKTOP CONTROLS

To avoid damage to the cooktop controls do not use steel wool, abrasive cleansers or oven cleaner.

Do not soak knobs. When replacing knobs, make sure knobs are in the Off position.

On some models, do not remove seals under knobs.

Cleaning Method:

- Soap and water or dishwasher:
Pull knobs straight away from control panel to remove.

CONTROL PANEL

To avoid damage to the control panel, do not use abrasive cleaners, steel-wool pads, gritty washcloths or some paper towels.

Cleaning Method:

- Glass cleaner and soft cloth or sponge:
Apply glass cleaner to soft cloth or sponge, not directly on panel.

PORCELAIN-COATED GRATES AND CAPS

Food spills containing acids, such as vinegar and tomato, should be cleaned as soon as the cooktop, grates and caps are cool. These spills may affect the finish.

To avoid chipping, do not bang grates and caps against each other or hard surfaces such as cast iron cookware.

Do not reassemble caps on burners while they are wet.

Cleaning Method:

- Nonabrasive plastic scrubbing pad and mildly abrasive cleanser:
Clean as soon as cooktop, grates and caps are cool.
- Dishwasher (grates only, not caps):
Use the most aggressive cycle. Cooked-on soils should be soaked or scrubbed before going into a dishwasher.
- Gas Grate and Drip Pan Cleaner Part Number 31617:
See "Assistance or Service" section to order.

SURFACE BURNERS

See "Surface Burners" section.

OVEN DOOR EXTERIOR

Cleaning Method:

- Glass cleaner and a soft cloth or sponge:
Apply glass cleaner to soft cloth or sponge, not directly on panel.
- All-Purpose Appliance Cleaner Part Number 31662 (not included):
See "Assistance or Service" section to order.

OVEN CAVITY

Do not use oven cleaners.

Food spills should be cleaned when oven cools. At high temperatures, foods react with porcelain and staining, etching, pitting or faint white spots can result.

Cleaning Method:

- Mild cleaner and noncorrosive scrubbing pad.

OVEN RACKS AND ROASTING RACKS

Cleaning Method:

- Steel-wool pad

BROILER PAN AND GRID (on some models)

Cleaning Method:

- Mildly abrasive cleanser:
Scrub with wet scouring pad.
- Solution of ½ cup (125 mL) ammonia to 1 gal. (3.75 L) water:
Soak for 20 minutes, then scrub with scouring or steel-wool pad.
- Oven cleaner:
Follow product label instructions.

Porcelain enamel only, not chrome

- Dishwasher

Oven Light

The oven light is a standard 40-watt appliance bulb. Press the OVEN LIGHT pad on the electronic oven control to turn on the light.

Before replacing, make sure the oven and cooktop are cool and the control knobs are off.

To Replace:

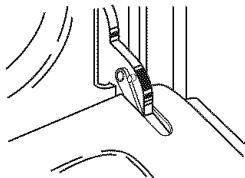
1. Unplug range or disconnect power.
 2. Turn bulb counterclockwise to remove from socket.
 3. Replace bulb.
 4. Plug in range or reconnect power.
-

Oven Door

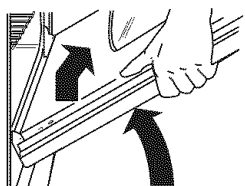
For normal range use, it is not suggested to remove the oven door. However, if removal is necessary, make sure the oven is off and cool. Then, follow these instructions. The oven door is heavy.

To Remove:

1. Open the oven door. Insert hinge pins, included with your range, into both hinge hangers. Do not remove the pins while the door is removed from the range.



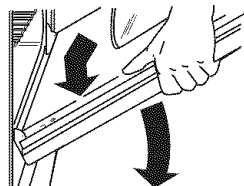
2. Grasp the door on the sides with your fingers on the front of the door and your thumbs on the inside surface.



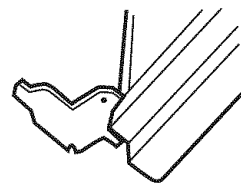
3. Pull door straight up, then toward you. Do not remove hinge pins until the door is replaced on the range.

To Replace:

1. Grasp the door on the sides with your fingers on the front of the door and your thumbs on the inside surface.



2. Hold oven door so that the top edge of each door slot is horizontal. Insert door hinge into the hinge slots.
3. Tilt top of door toward range. Insert bottom door hinge notch down onto front frame edge.



4. Open the door completely and remove the hinge pins. Save hinge pins for future use.
 5. Close the door slowly to assure door side panel clearance and proper hinge engagement.
-

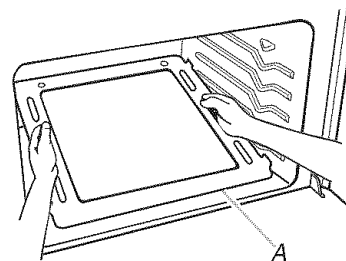
Removing the Oven Bottom

The oven bottom can be removed for standard cleaning of the oven.

Before cleaning, make sure the oven is completely cool.

To Remove:

1. Remove the oven racks.
2. Place fingers in the slots in the bottom panel.



A. Lip

3. Lift the rear of the panel up and back. The lip at the front of the panel should clear the front frame of the oven cavity.
4. Lift the bottom up and out.

To Replace:

Reverse the steps above.

TROUBLESHOOTING

Try the solutions suggested here first in order to avoid the cost of an unnecessary service call.

Nothing will operate

- **Is the power outlet properly wired and polarized?**
Try another outlet to check for proper wiring and polarity.
 - **Is the power supply cord unplugged?**
Plug into a properly grounded 3 prong outlet.
 - **Has a household fuse been blown, or has a circuit breaker tripped?**
Replace the fuse or reset the circuit breaker. If the problem continues, call an electrician.
 - **Is the main or regulator gas shutoff valve in the off position?**
See Installation Instructions.
 - **Is the range properly connected to the gas supply?**
Contact a trained repair specialist or see Installation Instructions.
-

Surface burners will not operate

- **Is this the first time the surface burners have been used?**
Turn on any one of the surface burner knobs to release air from the gas lines.
 - **Is the control knob set correctly?**
Push in knob before turning to a setting.
 - **Are the burner ports clogged?**
See "Surface Burners" section.
-

Surface burner flames are uneven, yellow and/or noisy

- **Are the burner ports clogged?**
See "Surface Burners" section.
 - **Are the burner caps positioned properly?**
See "Surface Burners" section.
 - **Is the air/gas mixture correct?**
Contact a designated service technician to check the air/gas mixture, or see the Installation Instructions.
 - **Is propane gas being used?**
The appliance may have been converted improperly. Contact a trained repair specialist.
-

Surface burner makes popping noises

- **Is the burner wet?**
Let it dry.
-

Cookware not level on cooktop

- **Is the range level?**
Level the range. See the Installation Instructions.
 - **Is the proper cookware being used?**
Use cookware with a flat bottom. See "Cookware" section.
-

Excessive heat around cookware on cooktop

- **Is the cookware the proper size?**
Use cookware about the same size as the surface cooking area, element or surface burner. Cookware should not extend more than ½" (1.3 cm) outside the cooking area.
-

Oven will not operate

- **Is the power outlet properly wired and polarized?**
Try another outlet to check for proper wiring and polarity.
 - **Is this the first time the oven has been used?**
Turn any one of the surface burner knobs on to release air from the gas lines.
 - **Is the electronic oven control set correctly?**
See "Electronic Oven Control" section.
 - **On some models, is the Oven Lockout set?**
See "Oven Lockout" section.
 - **Is the main or regulator gas shutoff in the off position?**
Contact a designated service technician or see the Installation Instructions.
-

Oven makes muffled ticking noise when in use

- This is normal and occurs when the oven burner cycles on and off to hold the set oven temperature.
-

Oven burner flames are uneven, yellow, or noisy

- **Is propane gas being used?**
The appliance may have been converted improperly. Contact a trained repair specialist.
 - **Is the air/gas mixture correct?**
Contact a designated service technician to check the air/gas mixture or see the Installation Instructions.
-

Oven temperature too high or too low

- **Does the oven temperature calibration need adjustment?**
See "Oven Temperature Control" section.
-

Display shows messages

- **Is the display showing a flashing time?**
There has been a power failure. Press CANCEL/OFF to clear the display. Reset the clock, if needed. See "Clock" section.
 - **Is the display showing "F" followed by a number?**
Press CANCEL/OFF to clear the display. If an "F" code appears again, contact a trained repair specialist.
-

Cooktop cooking results not what expected

- **Is the proper cookware being used?**
See "Cookware" section.
 - **Is the control knob set to the proper heat level?**
See "Cooktop Controls" section.
-

Baking results not what expected

- **Was the oven preheated?**
Wait for oven to preheat before placing food in oven.
 - **Are the racks positioned properly?**
See "Positioning Racks and Bakeware" section.
 - **Is there proper air circulation around bakeware?**
See "Positioning Racks and Bakeware" section.
-

- **Is the batter evenly distributed in the pan?**
Make sure batter is level in the pan.
- **Is the appliance level?**
Level the appliance. See the Installation Instructions.
- **Are baked items too brown on the bottom?**
Decrease oven temperature 10° F to 30° F (5°C to 15°C).
- **Are crust edges browning early?**
Use aluminum foil to cover the edge of the crust and/or reduce baking temperature.

Slow baking or roasting

- **Was the oven preheated?**
Wait for oven to preheat before placing food in oven.
- **Is there proper air circulation around bakeware?**
See "Positioning Racks and Bakeware" section.

- **Is the proper length of time being used?**
Increase baking or roasting time.
- **Is the proper temperature set?**
Increase temperature 25° F (15°C).
- **Has the oven door been opened while cooking?**
Oven peeking releases oven heat and can result in longer cooking times.

Broiler burner fails to light

- **Is the ignition system broken?**
Contact a designated service technician to replace it.
- **Has a household fuse been blown, or has a circuit breaker tripped?**
Replace the fuse or reset the circuit breaker. If the problem continues, call an electrician.

ASSISTANCE OR SERVICE

Before calling for assistance or service, please check "Troubleshooting." It may save you the cost of a service call. If you still need help, follow the instructions below.

When calling, please know the purchase date and the complete model and serial number of your appliance. This information will help us to better respond to your request.

If you need replacement parts

If you need to order replacement parts, we recommend that you use only FSP® replacement parts. FSP® replacement parts will fit right and work right because they are made with the same precision used to build every new WHIRLPOOL® appliance.

To locate FSP® replacement parts in your area, call us or your nearest Whirlpool designated service center.

In the U.S.A.

Call the Whirlpool Customer eXperience Center toll free: **1-800-253-1301**.

Our consultants provide assistance with:

- Features and specifications on our full line of appliances.
- Installation information.
- Use and maintenance procedures.
- Accessory and repair parts sales.
- Specialized customer assistance (Spanish speaking, hearing impaired, limited vision, etc.).
- Referrals to local dealers, repair parts distributors and service companies. Whirlpool designated service technicians are trained to fulfill the product warranty and provide after-warranty service, anywhere in the United States.

To locate the Whirlpool designated service company in your area, you can also look in your telephone directory Yellow Pages.

For further assistance

If you need further assistance, you can write to Whirlpool Corporation with any questions or concerns at:

Whirlpool Brand Home Appliances
Customer eXperience Center
553 Benson Road
Benton Harbor, MI 49022-2692

Please include a daytime phone number in your correspondence.

Accessories List

Stainless Steel Cleaner & Polish

(stainless steel models)

Order Part Number 31462

All-Purpose Appliance Cleaner

Order Part Number 31662

Gas Grate and Drip Pan Cleaner

Order Part Number 31617

In Canada

Call the Whirlpool Canada LP Customer Interaction Centre toll free: **1-800-807-6777**.

Our consultants provide assistance with:

- Features and specifications on our full line of appliances.
- Use and maintenance procedures.
- Accessory and repair parts sales.
- Referrals to local dealers, repair parts distributors, and service companies. Whirlpool Canada LP designated service technicians are trained to fulfill the product warranty and provide after-warranty service, anywhere in Canada.

For further assistance

If you need further assistance, you can write to Whirlpool Canada LP with any questions or concerns at:

Customer Interaction Centre
Whirlpool Canada LP
1901 Minnesota Court
Mississauga, Ontario L5N 3A7

Please include a daytime phone number in your correspondence.

Accessories List

Stainless Steel Cleaner & Polish

(stainless steel models)

Order Part Number 31462B

All-Purpose Appliance Cleaner

Order Part Number 31662B

Gas Grate and Drip Pan Cleaner

Order Part Number 31617B

WHIRLPOOL CORPORATION MAJOR APPLIANCE WARRANTY

ONE YEAR LIMITED WARRANTY

For one year from the date of purchase, when this major appliance is operated and maintained according to instructions attached to or furnished with the product, Whirlpool Corporation or Whirlpool Canada LP (hereafter "Whirlpool") will pay for Factory Specified Parts and repair labor to correct defects in materials or workmanship. Service must be provided by a Whirlpool designated service company. This limited warranty applies only when the major appliance is used in the country in which it was purchased.

ITEMS WHIRLPOOL WILL NOT PAY FOR

1. Service calls to correct the installation of your major appliance, to instruct you how to use your major appliance, to replace or repair house fuses or to correct house wiring or plumbing.
 2. Service calls to repair or replace appliance light bulbs, air filters or water filters. Those consumable parts are excluded from warranty coverage.
 3. Repairs when your major appliance is used for other than normal, single-family household use.
 4. Damage resulting from accident, alteration, misuse, abuse, fire, flood, acts of God, improper installation, installation not in accordance with electrical or plumbing codes, or use of products not approved by Whirlpool.
 5. Any food loss due to refrigerator or freezer product failures.
 6. Replacement parts or repair labor costs for units operated outside the United States or Canada.
 7. Pickup and delivery. This major appliance is designed to be repaired in the home.
 8. Repairs to parts or systems resulting from unauthorized modifications made to the appliance.
 9. Expenses for travel and transportation for product service in remote locations.
 10. The removal and reinstallation of your appliance if it is installed in an inaccessible location or is not installed in accordance with published installation instructions.
 11. Replacement parts or repair labor costs when the major appliance is used in a country other than the country in which it was purchased.
-

DISCLAIMER OF IMPLIED WARRANTIES; LIMITATION OF REMEDIES

CUSTOMER'S SOLE AND EXCLUSIVE REMEDY UNDER THIS LIMITED WARRANTY SHALL BE PRODUCT REPAIR AS PROVIDED HEREIN. IMPLIED WARRANTIES, INCLUDING WARRANTIES OF MERCHANTABILITY OR FITNESS FOR A PARTICULAR PURPOSE, ARE LIMITED TO ONE YEAR OR THE SHORTEST PERIOD ALLOWED BY LAW. WHIRLPOOL SHALL NOT BE LIABLE FOR INCIDENTAL OR CONSEQUENTIAL DAMAGES. SOME STATES AND PROVINCES DO NOT ALLOW THE EXCLUSION OR LIMITATION OF INCIDENTAL OR CONSEQUENTIAL DAMAGES, OR LIMITATIONS ON THE DURATION OF IMPLIED WARRANTIES OF MERCHANTABILITY OR FITNESS, SO THESE EXCLUSIONS OR LIMITATIONS MAY NOT APPLY TO YOU. THIS WARRANTY GIVES YOU SPECIFIC LEGAL RIGHTS AND YOU MAY ALSO HAVE OTHER RIGHTS, WHICH VARY FROM STATE TO STATE OR PROVINCE TO PROVINCE.

Outside the 50 United States and Canada, this warranty does not apply. Contact your authorized Whirlpool dealer to determine if another warranty applies.

If you need service, first see the "Troubleshooting" section of the Use & Care Guide. After checking "Troubleshooting," additional help can be found by checking the "Assistance or Service" section or by calling Whirlpool. In the U.S.A., call **1-800-253-1301**. In Canada, call **1-800-807-6777**.

12/05

Keep this book and your sales slip together for future reference. You must provide proof of purchase or installation date for in-warranty service.

Write down the following information about your major appliance to better help you obtain assistance or service if you ever need it. You will need to know your complete model number and serial number. You can find this information on the model and serial number label located on the product.

Dealer name _____
Address _____
Phone number _____
Model number _____
Serial number _____
Purchase date _____

SEGURIDAD DE LA ESTUFA

Su seguridad y la seguridad de los demás es muy importante.

Hemos incluido muchos mensajes importantes de seguridad en este manual y en su electrodoméstico. Lea y obedezca siempre todos los mensajes de seguridad.



Este es el símbolo de advertencia de seguridad.

Este símbolo le llama la atención sobre peligros potenciales que pueden ocasionar la muerte o una lesión a usted y a los demás.

Todos los mensajes de seguridad irán a continuación del símbolo de advertencia de seguridad y de la palabra "PELIGRO" o "ADVERTENCIA". Estas palabras significan:

⚠ PELIGRO

Si no sigue las instrucciones de inmediato, usted puede morir o sufrir una lesión grave.

⚠ ADVERTENCIA

Si no sigue las instrucciones, usted puede morir o sufrir una lesión grave.

Todos los mensajes de seguridad le dirán el peligro potencial, le dirán cómo reducir las posibilidades de sufrir una lesión y lo que puede suceder si no se siguen las instrucciones.

ADVERTENCIA: Para su seguridad, la información en este manual debe ser observada para minimizar el riesgo de incendio o explosión, o para prevenir daños a propiedades, heridas o la muerte.

- No almacene o use gasolina u otros líquidos y vapores inflamables cerca de este u otro aparato electrodoméstico.
- PASOS QUE USTED DEBE SEGUIR SI HUELE A GAS:
 - No trate encender ningún aparato electrodoméstico.
 - No toque ningún enchufe eléctrico.
 - No use ningún teléfono en su casa o edificio.
 - Llame inmediatamente a su proveedor de gas desde el teléfono de un vecino.
Siga las instrucciones de su proveedor de gas.
 - Si usted no puede comunicarse con su proveedor de gas, llame al departamento de bomberos.
- La instalación y el servicio deben ser efectuados por un instalador calificado, una agencia de servicio o por el proveedor de gas.

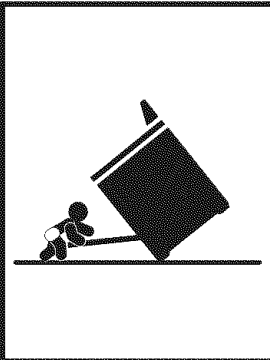
La California Safe Drinking Water and Toxic Enforcement Act (La ley de la protección del agua potable y la eliminación de sustancias tóxicas de California) exige que el gobernador de California publique una lista de aquellas sustancias identificadas por el estado de California como causantes de cáncer, defectos congénitos o algún otro tipo de daños en la función reproductora y exige a los comerciantes que adviertan de los posibles riesgos de exposición a tales sustancias.

ADVERTENCIA: Este producto contiene una sustancia química identificada por el estado de California como causante de cáncer, defectos congénitos o algún otro tipo de daños en la función reproductora.

Este electrodoméstico puede producir una exposición de bajo nivel a alguna de las sustancias enumeradas, incluyendo el benceno, formaldehído, monóxido de carbono, tolueno y hollín.

El Soporte antivuelco

La estufa no se volteará durante el uso normal. Sin embargo, si usted aplica mucha fuerza o peso a la puerta abierta sin haber fijado adecuadamente el soporte antivuelco, la estufa puede voltearse.



⚠ ADVERTENCIA

Peligro de Vuelco

Un niño o un adulto puede volcar accidentalmente la estufa y resultar muerto.

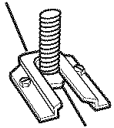
Conecte el soporte anti-vuelco a la pata trasera de la estufa.

Si traslada de lugar la estufa, vuelva a conectar el soporte anti-vuelco.

Consulte las instrucciones de instalación para más detalles.

No seguir estas instrucciones puede ocasionar la muerte o quemaduras graves en niños y adultos.

El soporte anti-vuelco



La pata trasera

Asegúrese de que el soporte anti-vuelco haya sido instalado:

- Deslice la estufa hacia adelante.
- Verifique que el soporte anti-vuelco esté bien asegurado al piso.
- Deslice la estufa para colocarla de nuevo en su lugar asegurándose de que la pata trasera quede debajo del soporte anti-vuelco.

INSTRUCCIONES IMPORTANTES DE SEGURIDAD

ADVERTENCIA: Para reducir el riesgo de incendio, electrocución, lesiones a personas o daños al usar la estufa de gas, siga precauciones básicas, incluyendo las siguientes:

■ **ADVERTENCIA:** PARA REDUCIR EL RIESGO DE VOLTEO DE LA ESTUFA DE GAS, ÉSTA DEBE ASEGURARSE EN EL PISO MEDIANTE LA INSTALACIÓN DE DISPOSITIVOS DE ANTI-VUELCO. PARA VERIFICAR SI LOS DISPOSITIVOS ESTÁN INSTALADOS ADECUADAMENTE, DESLICE LA ESTUFA DE GAS HACIA ADELANTE, CERCÍOARSE QUE EL SOPORTE ANTI-VUELCO ESTÉ BIEN FIJO EN EL PISO Y DESLICE LA ESTUFA DE GAS HACIA ATRÁS DE MANERA QUE LA PATA TRASERA DE LA ESTUFA DE GAS QUEDE FIJA DEBAJO DEL SOPORTE DE ANTI-VUELCO.

■ **ADVERTENCIA:** NUNCA use este electrodoméstico como calefactor de ambientes para calentar o entibiar la habitación. El hacerlo puede resultar en la contaminación con monóxido de carbono y el sobrecalentamiento del horno.

■ **ADVERTENCIA:** NUNCA cubra ranuras, orificios o pasajes en la parte inferior del horno ni cubra una rejilla entera con materiales tales como papel de aluminio. El hacerlo bloquea el flujo de aire en el horno y puede causar la contaminación con monóxido de carbono. Los forros de papel de aluminio también pueden atrapar el calor y provocar un riesgo de incendio.

■ **AVISO:** No almacene artículos que interesen a los niños en los armarios que están encima de una estufa de gas o en el respaldo de protección de una estufa de gas - al trepar los niños encima de la estufa para alcanzar algún objeto, podrían lastimarse seriamente.

■ **Instalación Apropriada** – Instalar la estufa de gas debe hacer la conexión eléctrica a tierra de acuerdo con las normas locales o, en ausencia de normas locales, con *el Código Eléctrico Nacional (National Electrical Code), ANSI/NFPA 70*. Cerciórese que la instalación y puesta a tierra de la estufa de gas sean efectuadas adecuadamente por un técnico competente.

■ Esta estufa de gas está equipada con un enchufe de tres puntas con contacto a tierra para su protección contra riesgo de electrocución y debería enchufarse directamente a un tomacorriente que tiene conexión a tierra. No corte ni quite la punta para conexión a tierra de este enchufe.

■ Desconecte la energía eléctrica antes de hacer una revisión al aparato electrodoméstico.

■ El mal uso de las puertas o gavetas del aparato electrodoméstico, tales como pisar, recostarse o sentarse en las puertas o gavetas, puede ocasionar heridas.

■ **Mantenimiento** – Mantenga el área de la estufa de gas despejada y libre de materiales combustibles, gasolina y otros vapores y líquidos inflamables.

■ **Almacenaje dentro o encima de la estufa de gas** – No se debe almacenar materiales inflamables en el horno o cerca de las unidades que están en la superficie.

■ El tamaño de la llama del quemador superior debe ajustarse de manera que no se extienda más allá de los bordes del utensilio de estufa.

Para estufas de gas de limpieza automática –

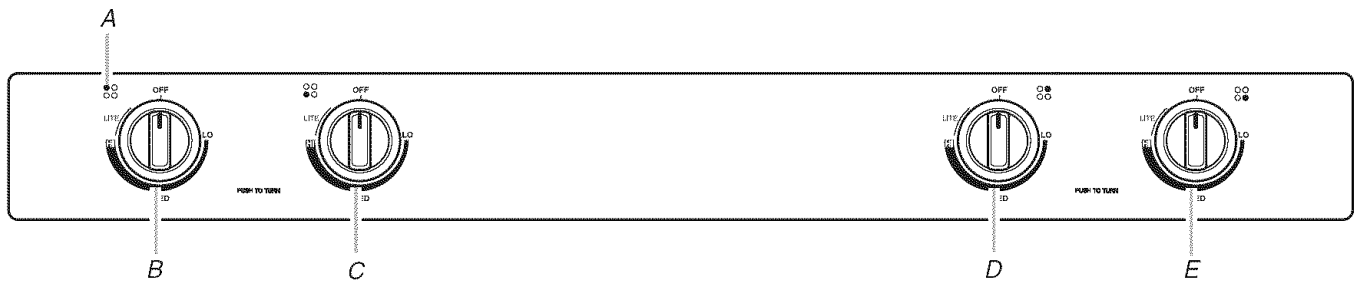
■ Antes de efectuar la limpieza automática del horno – quite la charola para asar y otros utensilios. Limpie con un trapo húmedo todo derrame excesivo antes de iniciar el ciclo de autolimpieza.

GUARDE ESTAS INSTRUCCIONES

PIEZAS Y CARACTERÍSTICAS

Este manual abarca varios modelos distintos. La estufa que usted ha adquirido puede tener algunas o todas las piezas y características que se enumeran. Las ubicaciones y aspecto de las características que aquí se ilustran quizás no coincidan con su modelo.

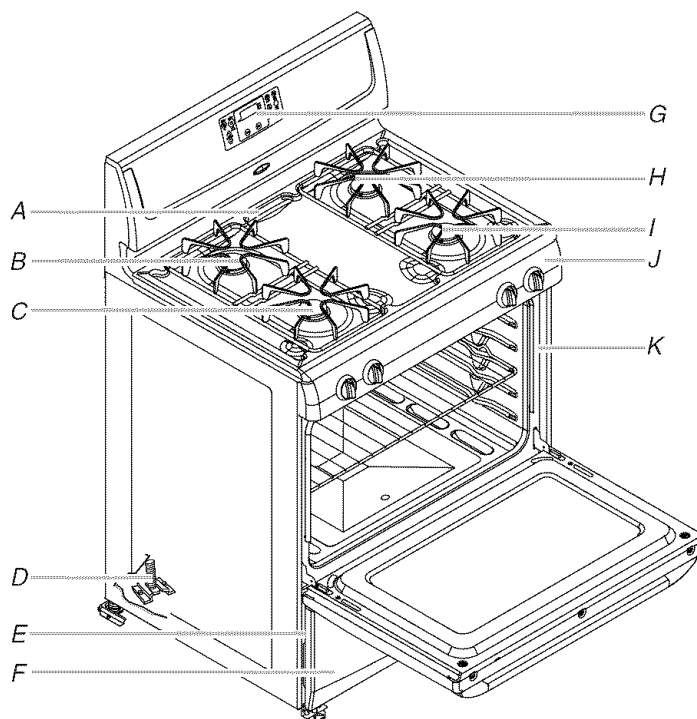
Panel de control de la superficie de cocción



- A. Indicador del quemador exterior
- B. Perilla de control del quemador izquierdo trasero
- C. Perilla de control del quemador izquierdo delantero

- D. Perilla de control del quemador derecho trasero
- E. Perilla de control del quemador derecho delantero

Estufa



- A. Ducto de escape del horno
- B. Quemador exterior izquierdo trasero y parrilla
- C. Quemador exterior izquierdo delantero y parrilla
- D. Soporte antivuelco

- E. Placa del número de modelo y de serie (detrás del lado izquierdo de la puerta del asador)
- F. Cajón del asador
- G. Control electrónico del horno

- H. Quemador exterior derecho trasero y parrilla
- I. Quemador exterior derecho delantero y parrilla
- J. Panel de control
- K. Junta de la puerta

USO DE LA SUPERFICIE DE COCCIÓN

Controles de la superficie de cocción

⚠️ ADVERTENCIA



Peligro de Incendio

No permita que la llama del quemador extienda más allá que la orilla de la cacerola.

Apague todas las perillas de los controles cuando no esté cocinando.

No seguir estas instrucciones puede ocasionar la muerte o incendio.

Los encendedores eléctricos encienden automáticamente los quemadores exteriores al girar las perillas de control hacia LITE (Encendido).

Antes de fijar una perilla de control, coloque el utensilio de cocina lleno en la parrilla. No ponga a funcionar un quemador con un utensilio de cocina vacío o si la parrilla está libre.

Para fijar la temperatura del quemador:

- Oprima y gire la perilla a la izquierda hacia LITE.

Los cuatro quemadores exteriores harán un chasquido pero sólo el quemador cuya perilla de control esté en LITE producirá una llama.

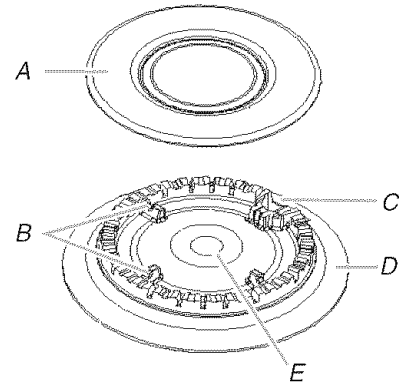
- Gire la perilla hacia cualquier posición entre HI (alto) y LO (bajo). El chasquido parará. Use el cuadro siguiente como guía para fijar los niveles de calor.

AJUSTE	USO RECOMENDADO PARA
LITE (encendido)	<ul style="list-style-type: none"> ■ Encender el quemador.
HI (alto)	<ul style="list-style-type: none"> ■ Comenzar a cocinar los alimentos. ■ Hacer hervir un líquido.
MEDIUM (medio)	<ul style="list-style-type: none"> ■ Mantener un hervor rápido. ■ Dorar rápidamente los alimentos. ■ Freír o sofreír los alimentos. ■ Preparar sopas y salsas. ■ Guisar o cocer al vapor los alimentos.
LO (bajo)	<ul style="list-style-type: none"> ■ Mantener los alimentos calientes. ■ Derretir chocolate o manteca. ■ Dejar hervir a fuego lento.

Cortes de corriente

En el caso de un corte de corriente prolongado, se pueden encender los quemadores exteriores manualmente. Sostenga un cerillo encendido cerca del quemador y gire la perilla a la izquierda hacia LITE. Después de que el quemador se encienda, gire la perilla al ajuste deseado.

Quemadores exteriores

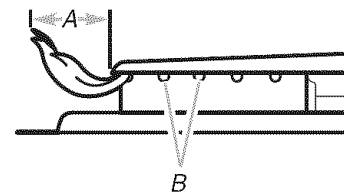


- A. Tapa del quemador
- B. Espigas de alineación
- C. Encendedor
- D. Quemador
- E. Abertura del tubo de gas

IMPORTANTE: No obstruya el flujo de aire de combustión y de ventilación alrededor de los bordes de la parrilla del quemador.

Tapa del quemador: Cuando use los quemadores exteriores mantenga siempre la tapa del quemador en su lugar. La tapa limpia del quemador ayudará a prevenir el encendido inadecuado y las llamas desiguales. Siempre limpie la tapa del quemador después de un derrame y como rutina quite y limpie las tapas tal como lo indica la sección "Limpieza general."

Abertura del tubo de gas: El gas debe fluir con libertad a través de la abertura del tubo de gas para que el quemador se encienda adecuadamente. Mantenga esta zona libre de suciedad y no permita el ingreso de derrames, alimentos, productos de limpieza o cualquier otro material en la abertura del tubo de gas. Mantenga los derrames lejos del tubo de gas usado siempre una tapa para el quemador.



- A. 1-1½" (25-38 mm)
- B. Orificios del quemador

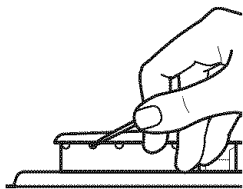
Orificios del quemador: Revise las llamas del quemador de vez en cuando para cerciorarse de que tengan la forma y el tamaño adecuados, tal como se ilustra arriba. Una buena llama es de color azul, no amarillo. Mantenga esta zona libre de suciedad y no permita el ingreso de derrames, alimentos, productos de limpieza o cualquier otro material en los orificios del quemador.

Para limpiar:

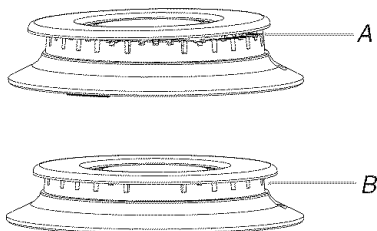
IMPORTANTE: Antes de limpiar, cerciórese de que todos los controles estén apagados y que el horno y la superficie de cocción estén fríos. No use productos comerciales para limpiar hornos, blanqueadores o disolventes del óxido.

- Quite las parrillas del quemador exterior.
- Quite la tapa del quemador de la base del quemador y limpie tal como se indica en la sección "Limpieza General."
- Limpie la abertura del tubo de gas con un paño húmedo.

4. Limpie los orificios obstruidos del quemador con un alfiler recto, tal como se ilustra. No agrande ni distorsione el orificio. No use palillos de dientes de madera. Si el quemador necesita ser regulado, póngase en contacto con un técnico de reparación competente.



5. Vuelva a colocar la tapa del quemador sobre la base del mismo, asegurándose de que las espigas de alineamiento estén debidamente alineadas con la tapa del quemador.



A. Incorrecto
B. Correcto

6. Vuelva a colocar las parrillas del quemador exterior en su lugar.
7. Encienda el quemador. Si el quemador no se enciende, verifique el alineamiento de la tapa. Si el quemador todavía no se enciende, no intente reparar el quemador por su cuenta. Póngase en contacto con un técnico de reparación competente.

Enlatado casero

Al preparar enlatados durante períodos prolongados, alterne el uso de los quemadores exteriores entre cada lote. Esto da tiempo para que las áreas usadas recientemente se enfríen.

- Centre el envasador en la parrilla.
- No coloque el envasador sobre 2 áreas de quemadores exteriores a la vez.
- Para obtener más información, póngase en contacto con el departamento de agricultura de su localidad. También pueden ofrecer ayuda las compañías que fabrican productos para enlatado casero.

Utensilios de cocina

IMPORTANTE: No deje utensilios de cocina vacíos encima de un área de cocción exterior, elemento o quemador exterior caliente.

Los utensilios de cocina ideales deben tener un fondo plano, lados rectos, una tapa que encaje bien y el material debe ser de un espesor mediano a grueso.

Las superficies ásperas pueden arañar la superficie de cocción. El aluminio y el cobre pueden emplearse como núcleo o base en los utensilios de cocina. Sin embargo, al ser usados como base, pueden dejar marcas permanentes en la superficie de cocción o las parrillas.

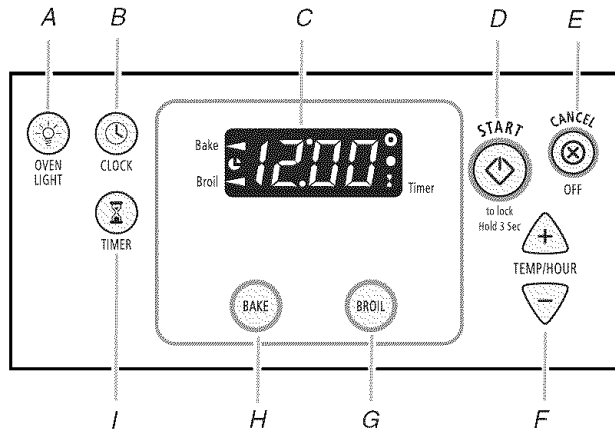
El material de los utensilios de cocina es un factor que repercute en la rapidez y uniformidad en que se transmite el calor, lo cual afecta los resultados de cocción. Un acabado antiadherente tiene las mismas características de su material base. Por ejemplo, utensilios de aluminio con un acabado antiadherente tendrán las propiedades del aluminio.

No deben usarse utensilios de cocina con superficies antiadherentes debajo del asador.

Use el siguiente cuadro como guía respecto a las características del material de los utensilios de cocina.

UTENSILIO DE COCINA	CARACTERÍSTICAS
Aluminio	<ul style="list-style-type: none"> ■ Calienta rápida y uniformemente. ■ Adecuado para todo tipo de cocción. ■ Espesor mediano o grueso es mejor para la mayoría de tareas culinarias.
Hierro fundido	<ul style="list-style-type: none"> ■ Calienta lenta y uniformemente. ■ Bueno para dorar y freír. ■ Mantiene el calor para una cocción lenta.
Cerámica o cerámica vitrificada	<ul style="list-style-type: none"> ■ Siga las instrucciones del fabricante. ■ Calienta lentamente pero no uniformemente. ■ Resultados ideales en ajustes de fuego bajo a mediano.
Cobre	<ul style="list-style-type: none"> ■ Calienta muy rápida y uniformemente.
Loza de barro	<ul style="list-style-type: none"> ■ Siga las instrucciones del fabricante. ■ Use en ajustes de calor bajo.
Acero o hierro fundido esmaltado de porcelana	<ul style="list-style-type: none"> ■ Vea acero inoxidable o hierro fundido.
Acero inoxidable	<ul style="list-style-type: none"> ■ Calienta rápidamente pero no uniformemente. ■ Un centro o base de aluminio o cobre sobre el acero inoxidable proporciona un calor uniforme.

CONTROL ELECTRÓNICO DEL HORNO



- A. Luz del horno
B. Reloj
C. Pantalla
D. Start (Inicio)
(bloqueo de control)
E. Off/Cancel (Apagar/Cancelar)
- F. Temp/Hour
(Temperatura/Hora)
G. Broil (Asar)
H. Bake (Hornear)
I. Timer (Temporizador)

Pantalla

Cuando se suministre energía al electrodoméstico por primera vez, aparecerá en la pantalla la hora destellando. Presione OFF/CANCEL (Apagar/Cancelar) para despejar la hora que destella en la pantalla.

Si aparece la hora destellando, ha ocurrido un corte de corriente. Presione OFF/CANCEL y vuelva a fijar el reloj, si fuera necesario.

Cuando el horno no esté en uso, la pantalla mostrará la hora del día.

Cuando esté utilizando una función de cocción o de temporizador, la pantalla mostrará horas y minutos, o minutos y segundos.

Luces indicadoras del horno

Las luces indicadoras están ubicadas a ambos lados de la pantalla. Las luces indicadoras se encienden o destellan cuando el horno está en uno de los siguientes modos: Bake (Hornear), Broil (Asar) o Timer (Temporizador).

Start (Inicio)

El botón START (Inicio) iniciará cualquier función del horno. Si no se presiona el botón de inicio dentro de los 5 segundos después de presionar un botón de función, la luz indicadora "PSH" (Empuje para poner en marcha) destellará y se escuchará el tono de empuje para poner en marcha, como recordatorio.

Si no se presiona el botón de inicio dentro de 1 minuto después de haber presionado un botón de función, la pantalla del horno volverá al modo de la hora del día y la función programada se anulará.

Off/Cancel (Apagar/Cancelar)

El botón OFF/CANCEL (Apagar/Cancelar) detiene todas las funciones, con excepción de Clock (Reloj), Timer (Temporizador) y Control Lock (Bloqueo de control).

Reloj

Se trata de un reloj de 12 horas que no muestra a.m. ni p.m.

Para fijar:

Antes de fijarlo, cerciórese de que el horno y el temporizador estén apagados.

1. Presione CLOCK (Reloj).
2. Presione los botones con las flechas de TEMP/HOUR (Temperatura/Hora) hacia "arriba" o hacia "abajo" para fijar la hora del día.
3. Presione CLOCK (Reloj) o START (Inicio).

Tonos

Los tonos son señales audibles que indican lo siguiente:

Un tono

- Ingreso válido
- El horno está precalentado (tono largo)
- Se ha ingresado una función

Tres tonos

- Al presionar un botón inválido
- Recordatorio de empujar para poner en marcha

Tonos de ciclo

- Señal de fin de ciclo

Fahrenheit y centígrados

La temperatura está prefijada en Fahrenheit, pero puede cambiarse a centígrados.

Para cambiar: Presione y sostenga BROIL (Asar) por 5 segundos. Se escuchará un tono y aparecerá "C" en la pantalla. Repita el procedimiento para volver a Fahrenheit. Para salir del modo, presione OFF/CANCEL (Apagar/Cancelar).

Temporizador

El temporizador puede fijarse en horas o minutos, hasta 12 horas y 59 minutos, y hará la cuenta regresiva del tiempo fijado en horas y minutos o en minutos y segundos. El temporizador no pone en marcha ni detiene el horno.

Para fijar:

1. Oprima TIMER (Temporizador). La luz indicadora del temporizador se encenderá. Si no hay ninguna acción después de 1 minuto, la pantalla volverá al modo de la hora del día, de hornear o de asar.
2. Presione los botones TEMP/HOUR (Temperatura/Hora) con las flechas "hacia arriba" o "hacia abajo" para fijar la duración del tiempo de cocción.
3. Presione START (Inicio). Cuando termine el tiempo fijado, se escucharán los tonos de fin de ciclo.
4. Presione el botón de TIMER dos veces en cualquier momento para cancelar el temporizador y los tonos recordatorios.

Si se presiona el botón OFF/CANCEL, el horno se apagará y se desactivará la función de cocción.

Para ver la hora del día por 5 segundos cuando el temporizador hace la cuenta regresiva, presione CLOCK (Reloj).

Si no se presiona el botón de START (Inicio) dentro de los 5 segundos después de presionar los botones de TIMER o TEMP/HOUR, la luz indicadora "PSH" destellará y se escuchará el tono de empuje para poner en marcha, como recordatorio.

Puede volver a programarse el temporizador mientras está funcionando.

Para volver a programarlo:

1. Oprima TIMER (Temporizador).
2. Presione los botones de TEMP/HOUR (Temperatura/Hora) con las flechas "hacia arriba" o "hacia abajo" para ajustar la hora.
3. Presione Inicio (START).

Bloqueo del control

La función de Control Lock (Bloqueo de control) bloquea los botones del panel de control para evitar el uso accidental de las funciones de cocción.

Cuando el control está bloqueado, sólo funcionarán los botones de CLOCK (Reloj), OVEN LIGHT (Luz del horno) y TIMER (Temporizador).

Para bloquear/desbloquear el control: Antes de bloquearlo, asegúrese de que las funciones de cocción estén apagadas. Presione y sostenga START (Inicio) por 3 segundos y aparecerá en la pantalla "Loc". Repita el procedimiento para desbloquearlo. "Loc" (Bloqueo) desaparecerá de la pantalla.

Control de temperatura del horno

IMPORTANTE: No use un termómetro para medir la temperatura del horno, ya que el abrir la puerta del mismo y el elemento o el quemador cuando esté en un ciclo pueden dar una lectura incorrecta.

El horno proporciona temperaturas acertadas; sin embargo, es posible que cocine más rápido o más despacio que su horno anterior, de manera que se puede ajustar el calibrado de la temperatura. Puede cambiarse a Fahrenheit o a centígrados.

Un signo de menos significa que el horno estará más frío con la cantidad que se muestra en la pantalla. La ausencia de signo significa que el horno estará a temperatura más caliente con la cantidad que aparece en la pantalla. Use como guía la siguiente tabla.

AJUSTE en °F (AJUSTE en °C)	COCINA LOS ALIMENTOS
10°F (5°C)	...un poco más
20°F (10°C)	...moderadamente más
30°F (15°C)	...mucho más
-10°F (-5°C)	...un poco menos
-20°F (-10°C)	...moderadamente menos
-30°F (-15°C)	...mucho menos

Para ajustar el calibrado de la temperatura del horno:

1. Presione y sostenga BAKE (Hornear) por 5 segundos hasta que la pantalla del horno muestre el calibrado actual, por ejemplo "00".
2. Presione el(los) botón(botones) de TEMP/HOUR (Temperatura/Hora) con las flechas hacia "arriba" o hacia "abajo", para aumentar o disminuir la temperatura en cantidades de 10°F (5°C). El ajuste puede fijarse entre 30°F (15°C) y -30°F (-15°C).
3. Presione START (Inicio).

USO DEL HORNO

Los olores y el humo son normales cuando el horno se usa las primeras veces o cuando éste tiene suciedad pesada.

IMPORTANTE: La salud de algunas aves es sumamente sensible a los gases emanados. La exposición a los gases puede ocasionar la muerte de ciertas aves. Mude siempre las aves a otro cuarto cerrado y bien ventilado.

Papel de aluminio

IMPORTANTE: No forre el fondo del horno con ningún tipo de papel de aluminio, revestimiento o utensilio de cocina ya que dañaría permanentemente el acabado del fondo del horno.

- En aquellos modelos con ductos de escape inferiores, no obstruya ni tape los ductos de escape inferiores del horno.
- No cubra toda la parrilla con papel de aluminio, ya que para lograr óptimos resultados de cocción el aire debe circular con libertad.
- Para recoger los derrames, coloque papel de aluminio en la parrilla que está debajo del recipiente de hornear. Asegúrese de que el forro sea por lo menos ½" (1,3 cm) más grande que el recipiente de hornear y que los bordes estén doblados hacia arriba.

Posición de las parrillas y los utensilios para hornear

IMPORTANTE: Para evitar daños permanentes en el acabado de porcelana, no coloque alimentos ni utensilios de hornear directamente sobre la puerta o la base del horno.

PARRILLAS

Ubique las parrillas antes de encender el horno. No retire las parrillas con los utensilios para hornear sobre ellas. Cerciórese de que las parrillas estén niveladas. Para un mejor resultado, hornee sobre una parrilla. Coloque la parrilla de tal manera que la parte más alta del alimento a hornear quede en el centro del horno. Para mover una parrilla, júela hasta la posición de tope, levante el borde delantero y luego sáquela.

ALIMENTO	POSICIÓN DE LA PARRILLA
Asados grandes, pavos, pasteles de ángel, rosas Bundt y otras, panes rápidos, pays	1 ó 2
Panes de levadura, guisados, carne y aves	2
Galletas, pastelillos, panecillos, pasteles	2 ó 3

UTENSILIOS PARA HORNEAR

Para la cocción uniforme, el aire caliente debe poder circular. Deje 2" (5 cm) de espacio alrededor del utensilio para hornear y las paredes del horno. Use el siguiente cuadro como guía.

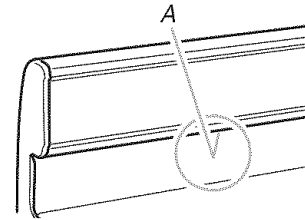
NÚMERO DE CACEROLA(S)	UBICACIÓN EN LA PARRILLA
1	Centro de la parrilla.
2	Lado a lado o ligeramente en zigzag.
3 ó 4	En esquinas opuestas en cada parrilla. Cerciórese de que ningún utensilio para hornear esté directamente encima del otro.

Utensilios para hornear

El material de los utensilios para hornear afecta los resultados de cocción. Siga las recomendaciones del fabricante y emplee el tamaño de utensilio para hornear recomendado en la receta de cocina. Use el siguiente cuadro como guía.

UTENSILIO PARA HORNEAR/ RESULTADOS	RECOMENDACIONES
Aluminio de color claro <ul style="list-style-type: none"> ■ Cortezas doradas claras ■ Dorado uniforme 	<ul style="list-style-type: none"> ■ Use la temperatura y el tiempo recomendados en la receta.
Aluminio oscuro y otros utensilios para hornear con acabado oscuro, mate y/o antiadherente <ul style="list-style-type: none"> ■ Cortezas bien doradas, crujientes 	<ul style="list-style-type: none"> ■ Puede necesitar reducir la temperatura para hornear 25°F (15°C). ■ Use el tiempo recomendado de horneado. ■ Para pays, panes y guisados, use la temperatura recomendada en la receta. ■ Coloque la parrilla en el centro del horno.
Moldes o bandejas para hornear termoaislados <ul style="list-style-type: none"> ■ Poco o nada de dorado en el fondo 	<ul style="list-style-type: none"> ■ Colóquelos en la 3ra posición inferior del horno. ■ Puede necesitar aumentar el tiempo de horneado.
Acero inoxidable <ul style="list-style-type: none"> ■ Cortezas doradas, claras ■ Dorado desigual 	<ul style="list-style-type: none"> ■ Puede necesitar aumentar el tiempo de horneado.
Cerámica de gres/ Piedra para hornear <ul style="list-style-type: none"> ■ Cortezas crujientes 	<ul style="list-style-type: none"> ■ Siga las instrucciones del fabricante.
Utensilios de vidrio resistente al horno, cerámica vitrificada o cerámica <ul style="list-style-type: none"> ■ Cortezas doradas, crujientes 	<ul style="list-style-type: none"> ■ Puede necesitar reducir la temperatura para hornear 25°F (15°C).

Ducto de escape del horno



A. Ducto de escape del horno

El ducto de escape del horno libera aire caliente y humedad del horno y no debe bloquearse ni taparse. El hacerlo dará lugar a una circulación de aire insatisfactoria, afectando los resultados de cocción y de limpieza. No coloque objetos de plástico, papel u otros artículos que podrían derretirse o quemarse cerca del ducto de escape del horno.

Cómo hornear y asar

IMPORTANTE: Para evitar daños permanentes en el acabado de porcelana, no coloque alimentos ni utensilios de cocción directamente sobre la puerta o la base del horno.

Antes de hornear o asar, coloque las parrillas según la sección "Posición de las parrillas y los utensilios para hornear".

Para hornear o asar:

1. Presione **BAKE** (hornear).
Presione el botón **TEMP/TIME** (Temperatura/Tiempo) con las flechas "hacia arriba" o "hacia abajo" para ingresar una temperatura que no sea 350°F (177°C) en cantidades de 5°F (3°C). La escala del horneado puede fijarse entre 170°F y 500°F (77°C y 260°C).
2. Presione **START** (Inicio).
Después de este primer paso, puede cambiar la temperatura en cualquier momento que lo necesite, presionando el botón **TEMP** con flechas "hacia arriba" o "hacia abajo". No necesitará presionar nuevamente **START**. Si está horneando o asando cuando el temporizador está haciendo la cuenta regresiva, podrá ver en la pantalla la temperatura fijada para el horneado/asado presionando por 5 segundos el botón **BAKE** (hornear).
3. Presione **OFF/CANCEL** (Apagar/Cancelar) cuando haya terminado.

Pre calentamiento

Luego de presionar **START**, el horno comenzará un ciclo de pre calentamiento a tiempo prefijado. Se encenderá la luz indicadora de Bake (Hornear). El control electrónico del horno seleccionará automáticamente el ciclo de acondicionamiento basándose en la temperatura del horno seleccionada. El tiempo de acondicionamiento del ciclo no variará si vuelve a fijarse la temperatura antes de que termine la cuenta regresiva del ciclo. El ciclo de acondicionamiento para el pre calentamiento se ha terminado y el horno está listo para usarse cuando suene un tono de 1 segundo, termine la cuenta regresiva del ciclo y aparezca en la pantalla la temperatura fijada.

Las temperaturas de pre calentamiento se ven afectadas debido a varios factores, tales como la temperatura ambiente, y en momentos en que hay una alta demanda de electricidad en el hogar. Es normal que existan diferencias entre la temperatura indicada en la pantalla y la temperatura real del horno.

Cuando hornee alimentos con ingredientes a base de leudantes tales como levadura, polvo de hornear, bicarbonato de sodio y huevos, se recomienda esperar 10 minutos más después de que termine el tiempo de acondicionamiento para el pre calentamiento para empezar a hornear los alimentos.

Cómo asar

ASADOR

El asador está ubicado debajo de la puerta del horno. La charola y la rejilla del asador se deslizan hacia fuera, lo cual facilita el acceso a las mismas. Para asar siempre tenga las puertas del asador y del horno cerradas.

- Para evitar daños en el asador, no se apoye en la puerta del mismo ni aplique peso mientras esté abierta.
- No precaliente el asador antes de usarlo. Mantenga bien cerrada la puerta del asador cuando esté asando.
- No use la gaveta del asador para almacenaje.
- Use únicamente la charola y la rejilla del asador que vienen con el electrodoméstico. Éstas han sido diseñadas para drenar los jugos de la carne y evitar salpicaduras y humo.
- Para lograr un drenado adecuado, no forre la rejilla con papel de aluminio. Se puede forrar el fondo de la charola con papel de aluminio para facilitar la limpieza.
- Quite el exceso de grasa para reducir las salpicaduras. Corte la grasa restante de los bordes para evitar que se ondule.
- Use tenazas para dar vuelta la carne a fin de evitar que se pierdan los jugos. Quizás no sea necesario dar vuelta los cortes delgados de pescado, aves o carne.
- Después de asar, saque la charola del horno al retirar los alimentos. Los goteos que queden en la charola se hornearán si se dejan en el horno caliente, dificultando aún más la limpieza.

Cómo asar:

1. Abra la puerta del asador y deslice hacia fuera la charola y la rejilla para asar.
2. Coloque los alimentos en la parrilla de la charola para asar en la posición de asado deseada y cierre el cajón.
3. Presione BROIL (Asado). La luz indicadora de BROIL (Asado) se encenderá.

4. Presione START.
Se encenderá la luz indicadora. Se puede modificar el ajuste de la temperatura en cualquier etapa del ciclo de asado. Durante la etapa del asado en que el temporizador esté haciendo la cuenta regresiva, se puede ver la temperatura fijada para asar en la pantalla durante 5 segundos al presionar BROIL.
5. Presione OFF/CANCEL al terminar de asar.

CUADRO PARA ASAR

Para obtener óptimos resultados, se debe girar la charola del asador en el momento en que se dé vuelta los alimentos. Los tiempos indicados a continuación son únicamente pautas y quizás tengan que regularse según los alimentos y el gusto de la persona.

ALIMENTO	TIEMPO DE COCCIÓN	
	Minutos	
	LADO 1	LADO 2
Piezas de pollo con hueso	15-17	15-17
Pechugas de pollo sin hueso	11-13	11-13
Filetes de pescado de ½-¾" (1,25-1,8 cm) de grosor	7-8	3-4
Salchichas alemanas	5-6	2-3
Hamburguesas de carne molida de ¾" (1,8 cm) de grosor, bien cocidas*	11-13	6-7
Trozo de jamón, precocido de ½" (1,25 cm) de grosor	6-8	3-4
Chuletas de cordero de 1" (2,5 cm) de grosor	14-17	8-9
Chuletas de cerdo de 1" (2,5 cm) de grosor	19-21	9-10
Bistec de 1" (2,5 cm) de grosor, medio crudo,	10-12	5-6
término medio	12-14	6-7
bien cocido	16-17	8-9

*Coloque hasta 9 hamburguesas, separadas uniformemente, en la rejilla del asador.

CUIDADO DE LA ESTUFA

Limpieza general

IMPORTANTE: Antes de la limpieza, asegúrese de que todos los controles estén apagados, y que el horno y la superficie de cocción estén fríos. Siempre siga las instrucciones que vienen en las etiquetas de los productos de limpieza.

En primer lugar se sugiere el empleo de jabón, agua y una esponja o paño suave, a menos que se indique lo contrario.

SUPERFICIES EXTERIORES DE ESMALTE DE PORCELANA

(en algunos modelos)

Los derrames que contienen ácidos, tales como vinagre y tomate, deben ser limpiados tan pronto como se enfríe el electrodoméstico. Es posible que estos derrames dañen el acabado.

Método de limpieza:

- Producto para limpiar vidrios, producto de limpieza líquido suave o estropajo no abrasivo:
Limpie cuidadosamente alrededor de la placa con el número de modelo y de serie porque el fregar puede borrar los números.
- Limpiador multiuso para electrodomésticos, Pieza número 31662 (no incluido):
Vea la sección "Ayuda o servicio técnico" para encargarlo.

CONTROLES DE LA SUPERFICIE DE COCCIÓN

Para evitar daños en los controles de la superficie de control, no use estopa de acero, productos de limpieza abrasivos ni limpiador de horno.

No remoje las perillas. Cuando vuelva a colocar las perillas, asegúrese de que las mismas estén en la posición de apagado.

En algunos modelos, no quite los obturadores que están debajo de las perillas.

Método de limpieza:

- Agua y jabón o lavavajillas:
Jale las perillas en sentido recto para quitarlas del tablero de control.

PANEL DE CONTROL

Para evitar daños en el panel de control, no use productos de limpieza abrasivos, estropajos de metal, paños ásperos o ciertas toallas de papel.

Método de limpieza:

- Producto para limpiar vidrios y un paño suave o esponja:
Aplique el producto para limpiar vidrios en una esponja o paño suave, no lo haga directamente sobre el panel.

TAPAS Y PARRILLAS CON REVESTIMIENTO DE PORCELANA

Los derrames que contienen ácidos, tales como vinagre y tomate, deben ser limpiados tan pronto como se enfríen la superficie de cocción, las parrillas y las tapas. Es posible que estos derrames dañen el acabado.

Para evitar las desportilladuras, no golpee las parrillas y las tapas una contra la otra o contra superficies tales como utensilios de cocina de hierro fundido.

No vuelva a armar las tapas o los quemadores mientras estén húmedos.

Método de limpieza:

- Estropajo de plástico no abrasivo y limpiador abrasivo suave:
Límpielos tan pronto como la superficie de cocción, las parrillas y las tapas se hayan enfriado.
- En la lavavajillas (sólo las parrillas, no las tapas):
Use el ciclo que sea más poderoso. Los restos de alimentos cocidos deben ponerse en remojo o fregarse antes de ponerlos en una lavavajillas.
- Limpiador para rejilla a gas y bandeja de goteo, pieza número 31617:
Vea la sección "Ayuda o servicio técnico" para encargarlo.

QUEMADORES EXTERIORES

Vea la sección "Quemadores exteriores".

EXTERIOR DE LA PUERTA DEL HORNO

Método de limpieza:

- Producto para limpiar vidrios y un paño suave o esponja:
Aplique el producto para limpiar vidrios en una esponja o paño suave, no lo haga directamente sobre el panel.
- Limpiador multiuso para electrodomésticos, Pieza número 31662 (no incluido):
Vea la sección "Ayuda o servicio técnico" para encargarlo.

CAVIDAD DEL HORNO

No use productos de limpieza para hornos.

Los derrames de alimentos deberán limpiarse cuando el horno se enfríe. A altas temperaturas, la reacción química de los alimentos con la porcelana puede dar lugar a manchas, corrosión, picaduras o tenues puntos blancos.

Método de limpieza:

- Limpiador suave y estropajo no corrosivo.

PARRILLAS DEL HORNO Y PARA ASAR

Método de limpieza:

- Esponja de fibra metálica

CHAROLA PARA ASAR Y PARRILLA (en algunos modelos)

Método de limpieza:

- Producto de limpieza ligeramente abrasivo:
Refriegue con un estropajo húmedo.
- Solución de ½ taza (125 mL) de amoníaco en 1 galón (3,75 L) de agua:
Remoje 20 minutos, luego refriegue con un estropajo o una esponja de fibra metálica.
- Limpiador para horno:
Siga las instrucciones de la etiqueta del producto.

Sólo esmalte de porcelana, no cromo

- Lavavajillas.

Luz del horno

La luz del horno es un foco estándar para electrodomésticos de 40 vatios. Presione el botón OVEN LIGHT (Luz del horno) en el control electrónico del horno para encender la luz.

Antes de cambiarla, asegúrese de que el horno y la superficie de cocción estén fríos y que las perillas de control estén apagadas.

Para reemplazar:

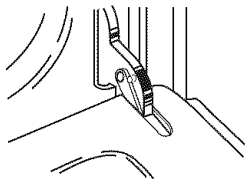
1. Desenchufe la estufa o desconecte el suministro de energía.
2. Gire el foco a la izquierda para sacarlo del casquillo.
3. Reemplace el foco.
4. Enchufe la estufa o reconecte el suministro de energía.

Puerta del horno

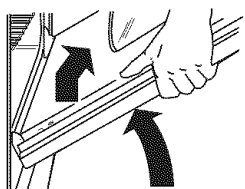
Para uso normal de la estufa, no se aconseja quitar la puerta del horno. Sin embargo, si es necesario quitarla, asegúrese de que el horno esté apagado y frío. Después, siga estas instrucciones. La puerta del horno es pesada.

Para quitarla:

1. Abra la puerta del horno. Introduzca los pernos de la bisagra que se incluyen con su estufa, en ambos ganchos de suspensión de la bisagra. No quite los pernos mientras esté sacando la puerta de la estufa.



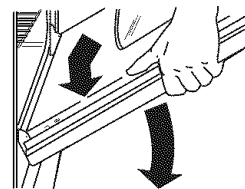
2. Sujete ambos lados de la parte delantera de la puerta con sus dedos y use sus pulgares en la superficie interior.



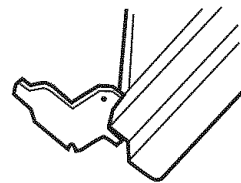
3. Jale la puerta hacia arriba y luego hacia usted. No quite los pernos de la bisagra hasta que la puerta haya sido colocada de nuevo en la estufa.

Para volver a colocarla:

1. Sujete ambos lados de la parte delantera de la puerta con sus dedos y use sus pulgares en la superficie interior.



2. Sostenga la puerta del horno de modo que el borde superior de cada ranura de la puerta esté en posición horizontal. Introduzca la bisagra de la puerta en las ranuras de la bisagra.
3. Incline la parte superior de la puerta hacia la estufa. Inserte la bisagra inferior de la puerta, con la muesca hacia abajo, en el borde del marco frontal.



4. Abra la puerta completamente y quite los pernos de la bisagra. Guarde los pernos para uso futuro.
5. Cierre la puerta lentamente para asegurarse de que la puerta tenga el espacio apropiado a los lados y que las bisagras hayan encajado adecuadamente.

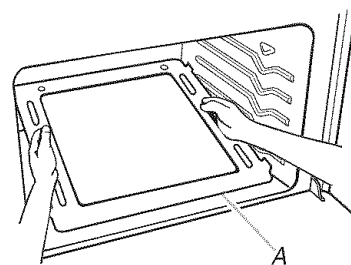
Para quitar el fondo del horno

Se puede quitar el fondo del horno para efectuar una limpieza regular del horno.

Antes de limpiar, cerciórese de que el horno esté completamente frío.

Para quitar:

1. Retire las parrillas del horno.
2. Coloque los dedos en las ranuras del panel del fondo.



A. Borde

3. Levante la parte posterior del panel hacia arriba y hacia atrás. El borde de la parte delantera del panel deberá liberarse del marco frontal de la cavidad del horno.
4. Levante el fondo hacia arriba y hacia fuera.

Para volver a colocar:

Siga los pasos arriba indicados en orden inverso.

SOLUCIÓN DE PROBLEMAS

Pruebe primero las soluciones aquí sugeridas para evitar el costo de una visita de servicio técnico innecesaria.

Nada funciona

- **¿Se ha cableado y polarizado debidamente el contacto de suministro de energía?**
Pruebe otro contacto para verificar el cableado y la polaridad adecuados.
- **¿Está desenchufado el cable eléctrico?**
Enchúfelo en un contacto de tres terminales con debida conexión a tierra.
- **¿Hay un fusible de la casa fundido o se disparó el cortacircuitos?**
Reemplace el fusible o repositone el cortacircuitos. Si el problema continúa, llame a un electricista.
- **¿Está la válvula principal o la válvula reguladora de cierre del gas en la posición apagada?**
Vea las instrucciones de instalación.
- **¿Está la estufa debidamente conectada al suministro de gas?**
Póngase en contacto con un especialista de reparaciones competente o vea las instrucciones de instalación.

Los quemadores exteriores no funcionan

- **¿Es ésta la primera vez que se usan los quemadores exteriores?**
Encienda cualquiera de las perillas de los quemadores exteriores para liberar el aire proveniente de la tubería del gas.
- **¿Se ha fijado correctamente la perilla de control?**
Oprima la perilla antes de girar a un ajuste.
- **¿Están obstruidos los orificios del quemador?**
Vea la sección "Quemadores exteriores".

Las llamas del quemador exterior están desiguales, amarillas y/o ruidosas

- **¿Están obstruidos los orificios del quemador?**
Vea la sección "Quemadores exteriores".
- **¿Están las tapas del quemador colocadas adecuadamente?**
Vea la sección "Quemadores exteriores".
- **¿Está correcta la mezcla de aire/gas?**
Póngase en contacto con un técnico de servicio autorizado para verificar la mezcla de aire/gas, o vea las instrucciones de instalación.
- **¿Se está usando gas propano?**
El electrodoméstico puede haber sido convertido incorrectamente. Póngase en contacto con un especialista de reparación competente.

El quemador exterior hace estallidos

- **¿Está mojado el quemador?**
Déjelo secar.

El utensilio de cocina está nivelado en la superficie de cocción

- **¿Está desnivelada la estufa?**
Nivele la estufa. Vea las Instrucciones de Instalación.
- **¿Se ha utilizado el utensilio de cocina apropiado?**
Use utensilios de cocina con fondo liso. Vea la sección "Utensilios de cocina".

Calor excesivo alrededor del utensilio de cocina en la superficie de cocción

- **¿Es el utensilio de cocina del tamaño apropiado?**
Use el utensilio de cocina de tamaño similar al área, elemento de cocción exterior o quemador exterior. El utensilio de cocina no debe extenderse más de ½" (1,3 cm) fuera del área de cocción.

El horno no funciona

- **¿Se ha cableado y polarizado debidamente el contacto de suministro eléctrico?**
Pruebe otro contacto para verificar si el cableado y la polaridad son los adecuados.
- **¿Es ésta la primera vez que usa el horno?**
Encienda cualquiera de las perillas del quemador exterior para liberar el aire proveniente de la tubería de gas.
- **¿Se ha fijado debidamente el control electrónico del horno?**
Vea la sección "Control electrónico del horno".
- **¿En algunos modelos, se ha fijado el Bloqueo del horno?**
Vea la sección "Bloqueo del horno".
- **¿Está la tubería principal o la válvula reguladora de cierre del gas en la posición de apagado?**
Póngase en contacto con un técnico autorizado o vea las Instrucciones de instalación.

El horno hace un ruido sordo acompasado cuando está en uso

- Esto es normal y ocurre cuando el quemador del horno cambia de ciclo para mantener la temperatura fijada del horno.

Las llamas del quemador del horno están desiguales, amarillas o ruidosas

- **¿Se está usando gas propano?**
El electrodoméstico puede haber sido convertido incorrectamente. Póngase en contacto con un especialista de reparación competente.
- **¿Está correcta la mezcla de aire/gas?**
Póngase en contacto con un técnico autorizado para verificar la mezcla de aire/gas, o vea las instrucciones de instalación.

La temperatura del horno es demasiado alta o demasiado baja

- **¿La calibración de temperatura del horno necesita un ajuste?**
Vea la sección "Control de temperatura del horno".

La pantalla muestra mensajes

- **¿Está la pantalla mostrando la hora que destella?**
Ha ocurrido un corte de electricidad. Presione OFF/CANCEL (Apagado/anulado) para despejar la pantalla. Vuelva a poner el reloj a la hora de ser necesario. Vea la sección "Reloj".
- **¿Está la pantalla mostrando "F" seguida de un número?**
Presione OFF/CANCEL para despejar la pantalla. Si vuelve a aparecer el código "F", póngase en contacto con un especialista en reparación competente.

Los resultados de cocción de la superficie de cocción no son los que se esperaba

- **¿Se está usando el utensilio de cocina apropiado?**
Vea la sección "Utensilios de cocina".
- **¿Se ha fijado la perilla de control en el nivel apropiado de calor?**
Vea la sección "Controles de la superficie de cocción".

Los resultados del horneado no son los que se esperaba

- **¿Se ha precalentado el horno?**
Espere que el horno se precaliente antes de colocar los alimentos en él.
- **¿Se han ubicado las parrillas adecuadamente?**
Vea la sección "Posición de las parrillas y los utensilios para hornear".
- **¿Hay circulación de aire apropiada alrededor del utensilio para hornear?**
Vea la sección "Posición de las parrillas y los utensilios para hornear".
- **¿Se ha distribuido la masa en forma pareja en la bandeja para hornear?**
Revise para asegurarse de que la masa esté nivelada en la bandeja para hornear.
- **¿Está nivelado el electrodoméstico?**
Nivele el electrodoméstico. Vea las instrucciones de instalación.

- **¿Están los artículos horneados demasiado dorados en el fondo?**
Disminuya la temperatura del horno de 10°F a 30°F (5°C a 15°C).
- **¿Se están dorando los bordes de las cortezas antes de tiempo?**
Use papel de aluminio para cubrir el borde de la corteza y/o reduzca la temperatura de horneado.

Horneado o asado lento

- **¿Se ha precalentado el horno?**
Espere que el horno se caliente antes de colocar los alimentos en él.
- **¿Hay circulación de aire apropiada alrededor del utensilio para hornear?**
Vea la sección "Posición de las parrillas y los utensilios para hornear".
- **¿Se está usando un lapso de tiempo apropiado?**
Aumente el tiempo para hornear o asar.
- **¿Se ha fijado la temperatura apropiada?**
Aumente la temperatura 25°F (15°C).
- **¿Se ha abierto la puerta del horno durante la cocción?**
Abrir el horno para mirar los alimentos disminuye el calor del horno y puede prolongar los tiempos de cocción.

El quemador del asador no se enciende

- **¿Se ha averiado el sistema del encendido?**
Póngase en contacto con un técnico autorizado para cambiarlo.
- **¿Hay un fusible de la casa fundido o se disparó el cortacircuitos?**
Reemplace el fusible o reposicione el cortacircuitos. Si el problema continúa, llame a un electricista.

AYUDA O SERVICIO TÉCNICO

Antes de solicitar ayuda o servicio técnico, por favor consulte la sección "Solución de Problemas". Esto le podría ahorrar el costo de una visita de servicio técnico. Si considera que aún necesita ayuda, siga las instrucciones que aparecen a continuación.

Cuando llame, tenga a mano la fecha de compra y el número completo del modelo y de la serie de su electrodoméstico. Esta información nos ayudará a atender mejor a su pedido.

Si necesita piezas de repuesto

Si necesita pedir piezas de repuesto, recomendamos que use únicamente piezas de repuesto FSP®. Estas piezas encajarán bien y funcionarán bien ya que están confeccionadas con la misma precisión empleada en la fabricación de cada electrodoméstico nuevo de WHIRLPOOL®.

Para encontrar piezas de repuesto FSP® en su localidad, llámenos o comuníquese con el centro de servicio designado por Whirlpool más cercano a su localidad.

En los EE.UU.

Llame al Centro para la eXperiencia del cliente de Whirlpool sin costo alguno al: **1-800-253-1301**.

Nuestros consultores ofrecen asistencia con respecto a:

- Características y especificaciones de nuestra línea completa de electrodomésticos.
- Información sobre instalación.
- Procedimiento para el uso y mantenimiento.
- Venta de accesorios y piezas para reparación.

- Asistencia especializada para el cliente (habla hispana, problemas de audición, visión limitada, etc.).
- Recomendaciones con distribuidores locales, compañías que dan servicio y distribuidores de partes para reparación. Los técnicos de servicio designados por Whirlpool están entrenados para cumplir con la garantía del producto y ofrecer servicio una vez que la garantía termine, en cualquier lugar de los Estados Unidos.

Para localizar a una compañía de servicio designada por Whirlpool en su área, también puede consultar la sección amarilla de su guía telefónica.

Para obtener más asistencia

Si necesita asistencia adicional, puede escribir a Whirlpool Corporation con sus preguntas o dudas a:

Whirlpool Brand Home Appliances
Customer eXperience Center
553 Benson Road
Benton Harbor, MI 49022-2692

Favor de incluir un número telefónico de día en su correspondencia.

Lista de accesorios

Limpiador de acero inoxidable

(modelos de acero inoxidable)

Pida la pieza número 31462

Limpiador multiuso para electrodomésticos

Pida la pieza número 31662

Limpiador de parrilla para estufa a gas y bandeja de goteo

Pida la pieza número 31617

GARANTÍA DE LOS ELECTRODOMÉSTICOS PRINCIPALES DE WHIRLPOOL CORPORATION

GARANTÍA LIMITADA DE UN AÑO

Durante un año a partir de la fecha de compra, siempre y cuando se dé a este electrodoméstico principal un uso y mantenimiento de conformidad con las instrucciones adjuntas o provistas con el producto, Whirlpool Corporation o Whirlpool Canada LP (en lo sucesivo denominado "Whirlpool") se hará cargo del costo de las piezas especificadas de fábrica y del trabajo de reparación para corregir defectos en los materiales o en la mano de obra. El servicio deberá ser suministrado por una compañía de servicio designada por Whirlpool. Esta garantía limitada se aplica sólo cuando el electrodoméstico principal se use en el país en donde se compró.

WHIRLPOOL NO PAGARÁ POR LOS SIGUIENTES ARTÍCULOS

1. Visitas de servicio técnico para corregir la instalación de su electrodoméstico principal, para enseñarle a usar su electrodoméstico principal, para cambiar o reparar fusibles domésticos o para corregir la instalación eléctrica o de la tubería de la casa.
 2. Visitas de servicio técnico para reparar o reemplazar focos para electrodomésticos, filtros de aire o filtros de agua. Esos insumos están excluidos de la cobertura de la garantía.
 3. Reparaciones cuando su electrodoméstico principal se use de un modo diferente al doméstico normal de una familia.
 4. Daños causados por accidente, alteración, uso indebido, abuso, incendio, inundación, actos fortuitos, instalación incorrecta, instalación que no esté de acuerdo con los códigos eléctricos o de plomería, o el empleo de productos no aprobados por Whirlpool.
 5. Cualquier pérdida de comida debido a fallas del refrigerador o del congelador.
 6. Piezas de repuesto o gastos de reparación para electrodomésticos que se empleen fuera de los Estados Unidos o Canadá.
 7. Recogida y entrega. Este electrodoméstico principal está diseñado para ser reparado en el hogar.
 8. Reparaciones de piezas o sistemas como resultado de modificaciones no autorizadas que se hayan efectuado en el electrodoméstico.
 9. Gastos de viaje y transporte para obtener servicio del producto en lugares remotos.
 10. La remoción e instalación de su electrodoméstico si estuviera instalado en un lugar inaccesible o si no estuviera instalado de conformidad con las instrucciones de instalación publicadas.
 11. Piezas de repuesto o gastos de reparación cuando el electrodoméstico principal se use en un país diferente del país en donde se compró.
-

EXCLUSIÓN DE GARANTÍAS IMPLÍCITAS; LIMITACIÓN DE RECURSOS

EL ÚNICO Y EXCLUSIVO RECURSO DEL CLIENTE SEGÚN LOS TÉRMINOS DE ESTA GARANTÍA LIMITADA SERÁ EL DE REPARAR EL PRODUCTO SEGÚN SE ESTIPULA EN LA PRESENTE. LAS GARANTÍAS IMPLÍCITAS, INCLUYENDO LAS GARANTÍAS DE COMERCIABILIDAD O DE CAPACIDAD PARA UN PROPÓSITO PARTICULAR, SERÁN LIMITADAS A UN AÑO O AL PERÍODO MÁS CORTO PERMITIDO POR LEY. WHIRLPOOL NO SE RESPONSABILIZARÁ POR DAÑOS INCIDENTALES O CONSECUENTES. ALGUNOS ESTADOS Y PROVINCIAS NO PERMITEN LAS EXCLUSIONES O LIMITACIONES POR DAÑOS INCIDENTALES O CONSECUENTES, O LIMITACIONES ACERCA DE CUÁNTO DEBE DURAR UNA GARANTÍA IMPLÍCITA DE COMERCIABILIDAD O CAPACIDAD, DE MODO QUE LAS LIMITACIONES O EXCLUSIONES ARRIBA MENCIONADAS PUEDEN NO APLICARSE EN SU CASO. ESTA GARANTÍA LE OTORGA DERECHOS LEGALES ESPECÍFICOS Y ES POSIBLE QUE USTED TENGA TAMBIÉN OTROS DERECHOS QUE PUEDEN VARIAR DE UN ESTADO A OTRO O DE UNA PROVINCIA A OTRA.

Esta garantía no tiene vigor fuera de los cincuenta Estados Unidos y Canadá. Póngase en contacto con el distribuidor autorizado de Whirlpool para determinar si corresponde otra garantía.

Si necesita servicio, consulte primero la sección "Solución de problemas" del Manual de uso y cuidado. Después de consultar la sección "Solución de problemas", puede encontrar ayuda adicional en la sección "Ayuda o servicio técnico", o llamando a Whirlpool. En EE.UU., llame al **1-800-253-1301**. En Canadá, llame al **1-800-807-6777**. 12/05

Guarde este libro y su comprobante de compra juntos para referencia futura. Usted deberá proporcionar el comprobante de la compra o una fecha de instalación para obtener servicio bajo la garantía.

Escriba la siguiente información acerca de su electrodoméstico principal para ayudarle mejor a obtener asistencia o servicio técnico si alguna vez llegara a necesitarlo. Deberá tener a mano el número completo del modelo y de la serie. Usted puede encontrar esta información en la etiqueta con el número de modelo y de serie ubicada en el producto.

Nombre del distribuidor _____

Dirección _____

Número de teléfono _____

Número de modelo _____

Número de serie _____

Fecha de compra _____

SÉCURITÉ DE LA CUISINIÈRE

Votre sécurité et celle des autres est très importante.

Nous donnons de nombreux messages de sécurité importants dans ce manuel et sur votre appareil ménager. Assurez-vous de toujours lire tous les messages de sécurité et de vous y conformer.



Voici le symbole d'alerte de sécurité.

Ce symbole d'alerte de sécurité vous signale les dangers potentiels de décès et de blessures graves à vous et à d'autres.

Tous les messages de sécurité suivront le symbole d'alerte de sécurité et le mot "DANGER" ou "AVERTISSEMENT". Ces mots signifient :

⚠ DANGER

Risque possible de décès ou de blessure grave si vous ne suivez pas immédiatement les instructions.

⚠ AVERTISSEMENT

Risque possible de décès ou de blessure grave si vous ne suivez pas les instructions.

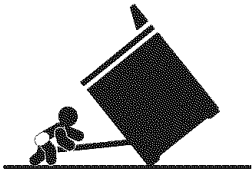
Tous les messages de sécurité vous diront quel est le danger potentiel et vous disent comment réduire le risque de blessure et ce qui peut se produire en cas de non-respect des instructions.

AVERTISSEMENT : Pour votre sécurité, les renseignements dans ce manuel doivent être observés pour réduire au minimum les risques d'incendie ou d'explosion ou pour éviter des dommages au produit, des blessures ou un décès.

- Ne pas entreposer ni utiliser de l'essence ou d'autres vapeurs ou liquides inflammables à proximité de cet appareil ou de tout autre appareil électroménager.
- **QUE FAIRE DANS LE CAS D'UNE ODEUR DE GAZ :**
 - Ne pas tenter d'allumer un appareil.
 - Ne pas toucher à un commutateur électrique.
 - Ne pas utiliser le téléphone se trouvant sur les lieux.
 - Appeler immédiatement le fournisseur de gaz d'un téléphone voisin. Suivre ses instructions.
 - À défaut de joindre votre fournisseur de gaz, appeler les pompiers.
- L'installation et l'entretien doivent être effectués par un installateur qualifié, une agence de service ou le fournisseur de gaz.

La bride antibasculement

Dans les conditions de service normales, la cuisinière ne bascule pas. Elle peut cependant basculer si une force ou un poids excessif est appliqué sur la porte ouverte alors que la bride antibasculement n'est pas convenablement fixée.



! AVERTISSEMENT

Risque de basculement

Un enfant ou une personne adulte peut faire basculer la cuisinière ce qui peut causer un décès.

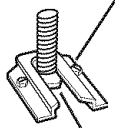
Joindre la bride antibasculement au pied arrière de la cuisinière.

Joindre de nouveau la bride antibasculement si la cuisinière est déplacée.

Voir détails dans les instructions d'installation.

Le non-respect de ces instructions peut causer un décès ou des brûlures graves aux enfants et aux adultes.

La bride antibasculement



Le pied de la cuisinière

Assurez-vous qu'une bride antibasculement est installée :

- Glisser la cuisinière vers l'avant.
- Vérifier que la bride antibasculement est bien fixée au plancher ou au mur.
- Glisser de nouveau la cuisinière vers l'arrière de sorte que le pied est sous la bride antibasculement.

IMPORTANTES INSTRUCTIONS DE SÉCURITÉ

AVERTISSEMENT : Pour réduire le risque d'incendie, de choc électrique, de blessures ou de dommages lors de l'utilisation de la cuisinière, il convient d'observer certaines précautions élémentaires dont les suivantes :

■ **AVERTISSEMENT :** POUR MINIMISER LE RISQUE DE BASCULEMENT DE LA CUISINIÈRE, ELLE DOIT ÊTRE BIEN IMMOBILISÉE PAR DES DISPOSITIFS ANTIBASCULEMENT CORRECTEMENT INSTALLÉS. POUR VÉRIFIER SI LES DISPOSITIFS SONT CORRECTEMENT INSTALLÉS, GLISSER LA CUISINIÈRE VERS L'AVANT ET VÉRIFIER SI LA BRIDE ANTIBASCULEMENT EST BIEN FIXÉE AU PLANCHER, ET GLISSER LA CUISINIÈRE VERS L'ARRIÈRE POUR QUE LE PIED ARRIÈRE DE LA CUISINIÈRE SOIT SOUS LA BRIDE ANTIBASCULEMENT.

■ **AVERTISSEMENT :** NE JAMAIS utiliser cet appareil comme dispositif de chauffage de la pièce. Le non-respect de cette instruction peut entraîner une intoxication au monoxyde de carbone et une surchauffe du four.

■ **AVERTISSEMENT :** NE JAMAIS couvrir les fentes, trous ou passages d'air au fond du four ou couvrir entièrement une grille avec des matériaux tels que du papier d'aluminium. Le non-respect de cette instruction empêche la circulation de l'air dans le four et peut entraîner une intoxication au monoxyde de carbone. Les feuilles de papier d'aluminium peuvent également retenir la chaleur et créer un risque d'incendie.

■ **MISE EN GARDE :** Ne pas remiser dans des armoires au-dessus de la cuisinière ou sur le dossier d'une cuisinière, des objets que des enfants pourraient vouloir atteindre. Les enfants pourraient se brûler ou se blesser en grimpaient sur la cuisinière.

■ Installation appropriée – La cuisinière, lorsqu'elle est correctement installée, doit être reliée à la terre conformément aux codes électriques locaux ou en l'absence de codes locaux, selon le *Code électrique national (US) ANSI/NFPA 70* ou le *Code canadien des installations, Partie 1*. S'assurer que la cuisinière est correctement installée et reliée à la terre par un technicien qualifié.

■ Cette cuisinière est munie d'une fiche de liaison à la terre à trois broches pour votre protection contre les risques de choc électrique et doit être branchée directement dans une prise de courant bien reliée à la terre. Ne pas couper ni enlever la broche de liaison à la terre de cette fiche.

■ Débrancher l'alimentation électrique avant d'exécuter des réparations à l'appareil.

■ Des blessures peuvent survenir d'un mauvais usage des portes ou des tiroirs de l'appareil tel que se tenir debout sur la surface, se pencher ou s'asseoir sur les portes ou tiroirs.

■ Entretien – Garder l'espace autour de la cuisinière dégagé et libre de matériaux combustibles, d'essence et d'autres vapeurs et liquides inflammables.

■ Remisage dans ou sur la cuisinière – Des produits inflammables ne devraient pas être remisés dans un four ou près des éléments de surface.

■ La taille de la flamme des brûleurs de surface devrait être ajustée de sorte qu'elle ne dépasse pas le bord de l'ustensile de cuisson.

Cuisinière autonettoyante –

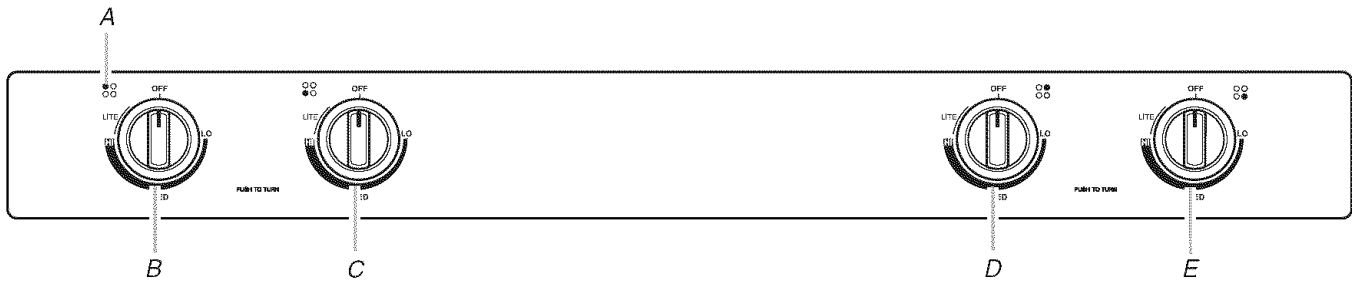
■ Avant l'autonettoyage du four – Ôter la lèchefrite et son plat et les autres ustensiles. Essuyer tous les renversements excessifs avant de mettre en marche le programme d'autonettoyage.

CONSERVEZ CES INSTRUCTIONS

PIÈCES ET CARACTÉRISTIQUES

Ce manuel concerne plusieurs modèles. La cuisinière que vous avez achetée peut comporter quelques-uns ou tous les articles énumérés. L'emplacement et l'apparence des caractéristiques illustrées peuvent être différents de ceux de votre modèle.

Tableau de commande de la table de cuisson

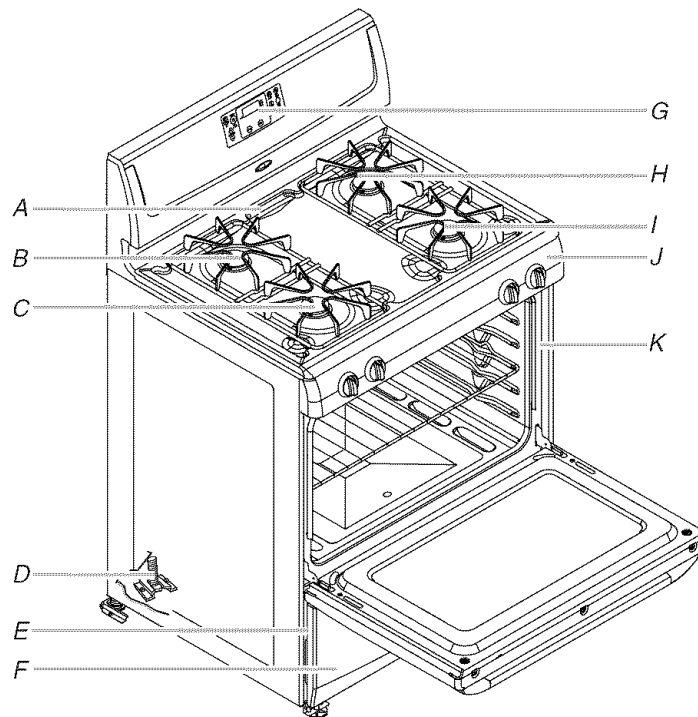


A. Repère du brûleur de surface
B. Bouton de commande arrière gauche

C. Bouton de commande avant gauche
D. Bouton de commande arrière droit

E. Bouton de commande avant droit

Cuisinière



A. Évent du four
B. Brûleur de surface et grille arrière gauche
C. Brûleur de surface et grille avant gauche
D. Bride antibasculement

E. Plaque signalétique (numéro de modèle et numéro de série à l'arrière du côté gauche de la porte du gril)
F. Porte du gril
G. Commande électronique du four

H. Brûleur de surface et grille arrière droit
I. Brûleur de surface et grille avant droit
J. Tableau de commande
K. Joint de la porte

UTILISATION DE LA TABLE DE CUISSON

Commandes de la table de cuisson

⚠ AVERTISSEMENT



Risque d'incendie

La flamme d'un brûleur ne devrait pas dépasser le bord du récipient de cuisson.

Fermer tous les réglages lorsque la cuisson est terminée.

Le non-respect de ces instructions peut causer un décès ou un incendie.

Des allumeurs électriques allument automatiquement les brûleurs de surface lorsque les boutons de commande sont tournés à LITE.

Avant de régler un bouton de commande, placer l'ustensile de cuisson rempli sur la grille. Ne pas faire fonctionner un brûleur avec un ustensile de cuisson vide ou sans ustensile de cuisson sur la grille.

Réglage de la température des brûleurs :

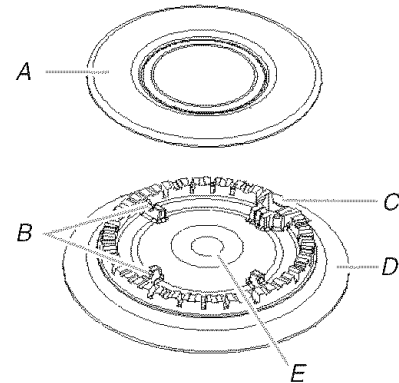
1. Pousser et tourner le bouton dans le sens antihoraire à LITE. Les quatre brûleurs de surface émettront un déclic. Seul le brûleur dont le bouton est tourné à LITE produira une flamme.
2. Tourner le bouton n'importe où entre HI et LO. Les déclics cesseront. Utiliser le tableau suivant comme guide lors du réglage des niveaux de chaleur.

RÉGLAGE	UTILISATION RECOMMANDÉE
LITE (allumé)	<ul style="list-style-type: none"> ■ Pour allumer le brûleur.
HI (élevé)	<ul style="list-style-type: none"> ■ Pour commencer la cuisson des aliments. ■ Pour porter un liquide à ébullition.
MEDIUM (moyen)	<ul style="list-style-type: none"> ■ Pour maintenir une ébullition rapide. ■ Pour brunir ou saisir rapidement les aliments. ■ Pour frire ou sauter les aliments. ■ Pour cuire les soupes et les sauces. ■ Pour faire mijoter ou étuver les aliments.
LO (bas)	<ul style="list-style-type: none"> ■ Pour garder les aliments chauds. ■ Pour faire fondre le chocolat ou le beurre. ■ Pour faire mijoter lentement.

Panne de courant

Lors d'une panne de courant prolongée, on peut allumer manuellement les brûleurs de surface. Tenir une allumette allumée près d'un brûleur et tourner le bouton dans le sens antihoraire à LITE. Lorsque le brûleur s'allume, tourner le bouton au réglage.

Brûleurs de surface scellés

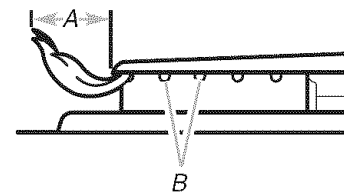


- A. Chapeau de brûleur
- B. Tiges d'alignement
- C. Allumeur
- D. Base de brûleur
- E. Ouverture du tube d'arrivée de gaz

IMPORTANT : Ne pas entraver l'évacuation de l'air de combustion et de ventilation autour des bords des grilles de brûleur.

Chapeau de brûleur : Toujours garder le chapeau de brûleur en place lorsqu'un brûleur de surface est utilisé. Un chapeau de brûleur propre empêche le mauvais allumage et des flammes inégales. Toujours nettoyer le chapeau du brûleur après un renversement de produits et enlever et nettoyer régulièrement les chapeaux et bases tel qu'indiqué à la section "Nettoyage général".

Ouverture du tube d'arrivée de gaz : Pour que la flamme s'allume convenablement, il faut que le gaz puisse passer librement à travers l'orifice. Garder cette zone propre et ne pas laisser les produits renversés, les aliments, les agents de nettoyage ou tout autre produit pénétrer dans l'ouverture du tube d'arrivée de gaz. Éviter les renversements dans le tube d'arrivée de gaz en utilisant toujours un chapeau de brûleur.



- A. 1-1½" (25-38 mm)
- B. Orifices de brûleur

Orifices de brûleur : Examiner occasionnellement les flammes des brûleurs pour en vérifier la taille et la forme tel qu'indiqué ci-dessus. Une bonne flamme est bleue plutôt que jaune. Garder cette zone exempte de saillies et ne pas laisser les produits renversés, les aliments, les agents de nettoyage ou autre produit pénétrer dans les orifices de brûleur.

UTILISATION DE LA TABLE DE CUISSON

Commandes de la table de cuisson

⚠ AVERTISSEMENT



Risque d'incendie

La flamme d'un brûleur ne devrait pas dépasser le bord du récipient de cuisson.

Fermer tous les réglages lorsque la cuisson est terminée.

Le non-respect de ces instructions peut causer un décès ou un incendie.

Des allumeurs électriques allument automatiquement les brûleurs de surface lorsque les boutons de commande sont tournés à LITE.

Avant de régler un bouton de commande, placer l'ustensile de cuisson rempli sur la grille. Ne pas faire fonctionner un brûleur avec un ustensile de cuisson vide ou sans ustensile de cuisson sur la grille.

Réglage de la température des brûleurs :

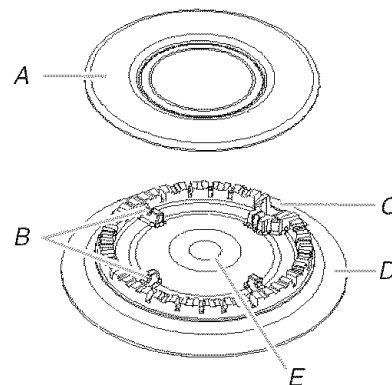
1. Pousser et tourner le bouton dans le sens antihoraire à LITE. Les quatre brûleurs de surface émettront un déclic. Seul le brûleur dont le bouton est tourné à LITE produira une flamme.
2. Tourner le bouton n'importe où entre HI et LO. Les déclics cesseront. Utiliser le tableau suivant comme guide lors du réglage des niveaux de chaleur.

RÉGLAGE	UTILISATION RECOMMANDÉE
LITE (allumé)	■ Pour allumer le brûleur.
HI (élevé)	■ Pour commencer la cuisson des aliments. ■ Pour porter un liquide à ébullition.
MEDIUM (moyen)	■ Pour maintenir une ébullition rapide. ■ Pour brunir ou saisir rapidement les aliments. ■ Pour frire ou sauter les aliments. ■ Pour cuire les soupes et les sauces. ■ Pour faire mijoter ou étuver les aliments.
LO (bas)	■ Pour garder les aliments chauds. ■ Pour faire fondre le chocolat ou le beurre. ■ Pour faire mijoter lentement.

Panne de courant

Lors d'une panne de courant prolongée, on peut allumer manuellement les brûleurs de surface. Tenir une allumette allumée près d'un brûleur et tourner le bouton dans le sens antihoraire à LITE. Lorsque le brûleur s'allume, tourner le bouton au réglage.

Brûleurs de surface scellés

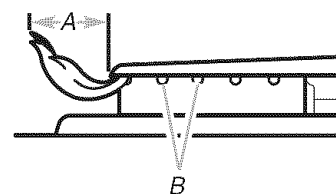


- A. Chapeau de brûleur
- B. Tiges d'alignement
- C. Allumeur
- D. Base de brûleur
- E. Ouverture du tube d'arrivée de gaz

IMPORTANT : Ne pas entraver l'évacuation de l'air de combustion et de ventilation autour des bords des grilles de brûleur.

Chapeau de brûleur : Toujours garder le chapeau de brûleur en place lorsqu'un brûleur de surface est utilisé. Un chapeau de brûleur propre empêche le mauvais allumage et des flammes inégales. Toujours nettoyer le chapeau du brûleur après un renversement de produits et enlever et nettoyer régulièrement les chapeaux et bases tel qu'indiqué à la section "Nettoyage général".

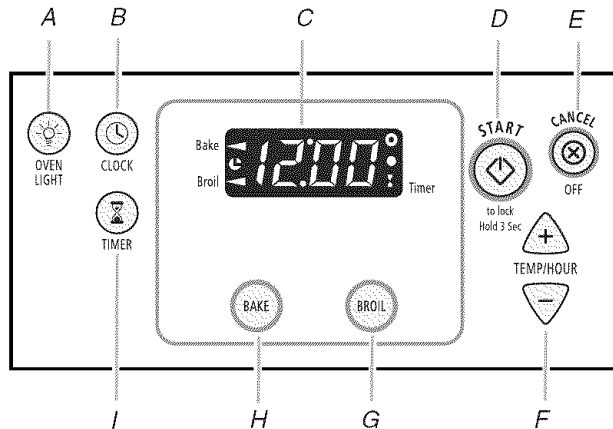
Ouverture du tube d'arrivée de gaz : Pour que la flamme s'allume convenablement, il faut que le gaz puisse passer librement à travers l'orifice. Garder cette zone propre et ne pas laisser les produits renversés, les aliments, les agents de nettoyage ou tout autre produit pénétrer dans l'ouverture du tube d'arrivée de gaz. Éviter les renversements dans le tube d'arrivée de gaz en utilisant toujours un chapeau de brûleur.



- A. 1-1½" (25-38 mm)
- B. Orifices de brûleur

Orifices de brûleur : Examiner occasionnellement les flammes des brûleurs pour en vérifier la taille et la forme tel qu'indiqué ci-dessus. Une bonne flamme est bleue plutôt que jaune. Garder cette zone exempte de saillies et ne pas laisser les produits renversés, les aliments, les agents de nettoyage ou autre produit pénétrer dans les orifices de brûleur.

COMMANDE ÉLECTRONIQUE DU FOUR



- | | |
|--|----------------------|
| A. Lampe du four | E. Arrêt/Annulation |
| B. Horloge | F. Température/Durée |
| C. Affichage | G. Cuisson au gril |
| D. Mise en marche (Verrouillage des commandes) | H. Cuisson au four |
| | I. Minuterie |

Affichage

Lors de la mise sous tension initiale de l'appareil, une heure clignotante apparaît sur l'afficheur. Appuyer sur OFF/CANCEL (arrêt/annulation) pour effacer l'heure clignotant sur l'affichage.

Si l'heure clignotante apparaît, une panne de courant s'est produite. Appuyer sur OFF/CANCEL (arrêt/annulation) et régler de nouveau l'horloge au besoin.

Lorsque le four n'est pas en marche, l'afficheur indique l'heure. Pendant une cuisson ou lorsqu'on utilise la fonction de minuterie, l'afficheur indique soit heures et minutes, soit minutes et secondes.

Témoins lumineux du four

Les témoins lumineux se trouvent des deux côtés de l'afficheur. Les témoins lumineux s'allument ou clignotent lorsque le four est dans l'un des modes suivants : Bake (cuisson au four), Broil (cuisson au gril) ou Timer (minuterie).

Mise en marche

La touche START met en marche toute fonction du four. Si on n'appuie pas sur la touche Start dans les 5 secondes après avoir appuyé sur une touche de fonction, le témoin lumineux "PSH" clignotera et le signal de rappel d'appui sur la touche Start sera émis.

Si on n'appuie pas sur la touche START dans la minute après avoir appuyé sur une touche de fonction, l'afficheur du four retourne au mode de l'heure et la fonction programmée est annulée.

Arrêt/annulation

La touche OFF/CANCEL (arrêt/annulation) arrête toutes les fonctions à l'exception de l'horloge, de la minuterie et du verrouillage des commandes.

Horloge

Cette horloge de 12 heures n'indique pas a.m. ou p.m.

Réglage :

Avant de procéder au réglage, s'assurer que le four et la minuterie sont désactivés.

1. Appuyer sur CLOCK (horloge).
2. Appuyer sur la touche à flèche TEMP/HOUR (vers le haut ou vers le bas) pour régler l'heure du jour.
3. Appuyer sur CLOCK (horloge) ou START (mise en marche).

Signaux sonores

Les signaux sonores indiquent ce qui suit :

Un signal sonore

- Appui sur une touche valide
- Four préchauffé (signal sonore long)
- Fonction entrée

Trois signaux sonores

- Appui sur une touche non valide
- Signal de rappel d'appui sur la touche Start

Signaux de programme

- Fin de programme

Fahrenheit et Celsius

Le four est pré-réglé pour un affichage de la température en degrés Fahrenheit, mais on peut permuter en degrés Celsius.

Modification : Appuyer sur la touche BROIL pendant 5 secondes. Un signal sonore se fera entendre et "C" apparaîtra sur l'affichage. Répéter pour revenir à Fahrenheit. Pour sortir de ce mode, appuyer sur OFF/CANCEL (arrêt/annulation).

Minuterie

La minuterie peut être réglée en heures ou minutes jusqu'à concurrence de 12 heures et 59 minutes et compte à rebours la durée de cuisson réglée en heures et minutes ou en minutes et secondes. La minuterie ne met pas en marche le four et ne l'éteint pas.

Réglage :

1. Appuyer sur TIMER (minuterie). Le témoin lumineux Timer s'allume. Si aucune fonction n'est sélectionnée après 1 minute, l'afficheur retourne au mode d'affichage de l'heure, de cuisson au four ou au gril.
2. Appuyer sur la touche à flèche TEMP/HOUR (vers le haut ou vers le bas) pour sélectionner la durée de cuisson.
3. Appuyer sur START (mise en marche). À la fin de la durée réglée, les signaux sonores de fin de programme se font entendre.
4. Appuyer sur TIMER (minuterie) deux fois à tout moment pour annuler la minuterie et les signaux sonores de rappel.

Si on appuie sur la touche OFF/CANCEL (arrêt/annulation), le four s'éteint et la fonction de cuisson est désactivée.

Pour afficher l'heure pendant 5 secondes lorsque la minuterie compte à rebours, appuyer sur la touche CLOCK (horloge).

Si on n'appuie pas sur la touche START dans les 5 secondes après avoir appuyé sur la touche TIMER ou les touches à flèche TEMP/HOUR, le témoin lumineux "PSH" clignote et le signal de rappel d'appui sur la touche Start est émis.

La minuterie peut être reprogrammée pendant le compte à rebours.

Pour reprogrammer la minuterie :

1. Appuyer sur TIMER (minuterie).
2. Appuyer sur les touches à flèche TEMP/HOUR (vers le haut ou vers le bas) pour entrer la durée désirée.
3. Appuyer sur START (mise en marche).

Verrouillage des commandes

Le verrouillage des commandes désactive les touches du tableau de commande pour éviter l'utilisation involontaire du four.

Lorsque le tableau de commande est verrouillé, seules les touches CLOCK (horloge), OVEN LIGHT (lampe du four), et TIMER (minuterie) fonctionnent.

Pour verrouiller/déverrouiller les commandes : Avant le verrouillage, s'assurer que les fonctions du four sont éteintes. Appuyer sur la touche START (mise en marche) pendant 3 secondes et "Loc" apparaîtra sur l'afficheur. Répéter pour déverrouiller. "LOC" s'effacera.

Commande de la température du four

IMPORTANT : Ne pas utiliser un thermomètre pour mesurer la température du four car l'ouverture de la porte du four et le fonctionnement par intermittence de l'élément ou du brûleur peuvent donner des mesures incorrectes.

Le four fournit des températures précises; toutefois, il peut cuire plus rapidement ou plus lentement que votre ancien four, de sorte que le calibrage de la température peut être ajusté. Il peut être changé en degrés Fahrenheit ou en Celsius.

Un signe moins signifie que le four sera plus froid du nombre de degrés affiché. L'absence de signe signifie que le four sera plus chaud du nombre de degrés affiché. Utiliser le tableau suivant comme guide.

AJUSTEMENT EN °F (AJUSTEMENT EN °C)	CUIT LES ALIMENTS
10°F (5°C)	...un peu plus
20°F (10°C)	...modérément plus
30°F (15°C)	...beaucoup plus
-10°F (-5°C)	...un peu moins
-20°F (-10°C)	...modérément moins
-30°F (-15°C)	...beaucoup moins

Ajustement du calibrage de la température du four :

1. Appuyer sur BAKE pendant 5 secondes jusqu'à ce que l'afficheur du four indique le calibrage actuel, par exemple "00".
2. Appuyer sur la touche à flèche TEMP/HOUR (vers le haut ou vers le bas) pour augmenter ou diminuer la température par tranches de 10°F (5°C). L'ajustement peut être réglé entre 30°F (15°C) et -30°F (-15°C).
3. Appuyer sur START (mise en marche).

UTILISATION DU FOUR

Des odeurs et de la fumée sont normales lorsque le four est utilisé les premières fois, ou lorsqu'il est très sale.

IMPORTANT : La santé de certains oiseaux est très sensible aux émanations de fumée. L'exposition aux émanations peut entraîner la mort de certains oiseaux. Toujours déplacer les oiseaux dans une autre pièce fermée et bien aérée.

Papier d'aluminium

IMPORTANT : Pour éviter des dommages permanents au fini du fond du four, ne pas recouvrir le fond avec du papier d'aluminium, un revêtement quelconque ou un ustensile de cuisson.

- Sur ces modèles avec évent au fond du four, ne pas bloquer ou recouvrir les événements du fond du four.
- Pour assurer une bonne circulation de l'air et des résultats de cuisson optimaux, ne pas recouvrir la grille entière de papier d'aluminium.
- Pour récupérer les débordements, placer une feuille d'aluminium sur la grille sur laquelle se trouve le plat. Veiller à ce qu'elle dépasse d'au moins ½" (1,3 cm) tout autour du plat et relever les bords.

Positionnement des grilles et des ustensiles de cuisson

IMPORTANT : Pour éviter des dommages permanents au fini en porcelaine, ne pas placer d'aliments ou d'ustensiles de cuisson directement sur la porte ou le fond du four.

GRILLES

Placer les grilles avant d'allumer le four. Ne pas déplacer les grilles lorsque des ustensiles de cuisson se trouvent dessus. S'assurer que les grilles sont de niveau. Pour le meilleur rendement, faire cuire sur une seule grille. Placer la grille de sorte que le dessus de l'aliment soit au centre du four. Pour déplacer une grille, la tirer jusqu'à la butée d'arrêt, soulever le rebord avant et la tirer pour la sortir du four.

ALIMENTS	POSITION DE LA GRILLE
Gros rôtis, dindes, gâteaux des anges et gâteaux Bundt, pains éclairs, tartes	1 ou 2
Pains à la levure, mets en sauce, viande et volaille	2
Biscuits, muffins et gâteaux	2 ou 3

USTENSILES DE CUISSON

L'air chaud doit pouvoir circuler autour de l'aliment pour le cuire uniformément. Laisser 2" (5 cm) entre les ustensiles de cuisson et les parois du four. Se servir du tableau suivant comme guide.

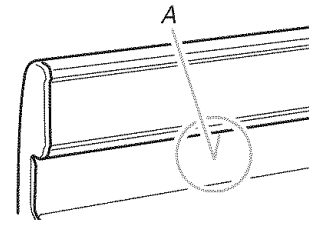
NOMBRE D'USTENSILES	POSITION SUR LA GRILLE
1	Centre de la grille.
2	Côte à côte ou légèrement décalés.
3 ou 4	Dans les coins opposés sur chaque grille. S'assurer qu'aucun ustensile de cuisson ne se trouve directement au-dessus d'un autre.

Ustensiles de cuisson

Le matériau des ustensiles de cuisson affecte les résultats de cuisson. Suivre les recommandations du fabricant et utiliser le format d'ustensiles recommandé dans la recette. Se servir du tableau suivant comme guide.

USTENSILES DE CUISSON/RÉSULTATS	RECOMMANDATIONS
Aluminium légèrement coloré <ul style="list-style-type: none">■ Croûtes légèrement dorées■ Brunissage uniforme	<ul style="list-style-type: none">■ Utiliser la température et la durée recommandées dans la recette.
Aluminium foncé et autres ustensiles de cuisson avec fini foncé, terne et/ou antiadhésif <ul style="list-style-type: none">■ Croûtes brunes, croustillantes	<ul style="list-style-type: none">■ Peut nécessiter de réduire les températures de cuisson de 25°F (15°C).■ Utiliser la durée de cuisson suggérée.■ Pour les tartes, pains et mets en sauce, utiliser la température recommandée dans la recette.■ Placer la grille au centre du four.
Tôles à biscuits ou moules à cuisson à isolation thermique <ul style="list-style-type: none">■ Brunissage faible ou non existant à la base	<ul style="list-style-type: none">■ Placer à la troisième position au bas du four.■ Peut nécessiter d'augmenter le temps de cuisson.
Acier inoxydable <ul style="list-style-type: none">■ Croûtes dorées, légères■ Brunissage inégal	<ul style="list-style-type: none">■ Peut nécessiter d'augmenter le temps de cuisson.
Plats en grès/Pierre de cuisson <ul style="list-style-type: none">■ Croûtes croustillantes	<ul style="list-style-type: none">■ Suivre les instructions du fabricant.
Plats en verre, vitrocéramique ou céramique allant au four <ul style="list-style-type: none">■ Croûtes brunes, croustillantes	<ul style="list-style-type: none">■ Peut nécessiter de réduire la température de cuisson de 25°F (15°C).

Évent du four



A. Évent du four

L'évent du four permet l'évacuation de l'air chaud et de l'humidité du four et ne doit pas être obstrué ou couvert. L'obstruction nuirait à la circulation adéquate de l'air et affecterait les résultats de cuisson et de nettoyage. Ne pas placer près de l'évent du four des produits en plastique, en papier ou autres articles qui pourraient fondre ou brûler.

Cuisson au four et rôtissage

IMPORTANT : Pour éviter des dommages permanents au fini en porcelaine, ne pas placer d'aliments ou d'ustensiles de cuisson directement sur la porte ou sur le fond du four.

Avant la cuisson au four et le rôtissage, placer les grilles tel qu'indiqué à la section "Position des grilles et des ustensiles de cuisson".

Cuisson au four ou rôtissage :

1. Appuyer sur BAKE (cuisson au four).

Appuyer sur les touches à flèche TEMP (vers le haut ou vers le bas) pour régler une température autre que 350°F (177°C) en tranches de 5°F (3°C). La température de cuisson peut être réglée entre 170°F (77°C) and 500°F (260°C).

2. Appuyer sur START (mise en marche).

La température peut être changée en tout temps après cette étape en appuyant sur les touches à flèche TEMP/TIME (vers le haut ou vers le bas). Il n'est pas nécessaire d'appuyer de nouveau sur START. Si vous faites la cuisson au four/rôtissage pendant que la minuterie compte à rebours, la température de cuisson au four/rôtissage peut être affichée pendant 5 secondes en appuyant sur BAKE.

3. Appuyer sur OFF/CANCEL (arrêt/annulation) après avoir terminé.

Préchauffage

Après que l'on a appuyé sur START, le four commence un préchauffage de conditionnement minuté. Le témoin de cuisson au four s'allume. La commande électronique du four choisit automatiquement la durée du programme de conditionnement en fonction de la température de four choisie. La durée du programme de conditionnement ne changera pas si la température est réglée de nouveau avant la fin du compte à rebours. Le préchauffage de conditionnement est terminé et le four est prêt à utiliser lorsqu'un signal sonore de 1 seconde se fait entendre, le compte à rebours prend fin et la température choisie est affichée.

Les températures de préchauffage sont affectées par divers facteurs tels que la température ambiante et les heures de pointe de consommation d'énergie. Il est normal que la température indiquée sur l'affichage diffère de la température réelle du four.

On suggère d'attendre dix minutes de plus après la durée de préchauffage de conditionnement avant de mettre les aliments au four lorsqu'on cuit des aliments qui contiennent des ingrédients de levage tels que la levure, la levure chimique, le bicarbonate de sodium et les œufs.

Cuisson au grill

GRIL

Le grill est situé au-dessous de la porte du four. La lèchefrite et sa grille glissent vers l'extérieur pour un accès facile. Toujours faire griller avec les portes du grill et du four fermées.

- Pour ne pas endommager le grill, ne pas monter ni appuyer fortement sur la porte du grill lorsqu'elle est ouverte.
- Ne pas préchauffer le grill avant l'utilisation. Fermer complètement le tiroir du grill pendant la cuisson au grill.
- Ne pas utiliser le tiroir du grill pour remisage.
- Utiliser seulement la lèchefrite et sa grille. Elles sont conçues pour laisser écouler les jus et empêcher les éclaboussures et la fumée.
- Pour un écoulement approprié, ne pas couvrir la grille de papier d'aluminium. Le fond de la lèchefrite peut être garni de papier d'aluminium pour en faciliter le nettoyage.
- Couper l'excès de gras pour réduire les éclaboussures. Entailler le gras restant pour empêcher la viande de se cintrer.
- Utiliser des pinces pour tourner les aliments afin d'éviter la perte de jus. Il est possible qu'il ne soit pas nécessaire de tourner les coupes très minces de poisson, volaille ou viande.
- Après la cuisson au grill, sortir la lèchefrite du four en même temps que l'aliment. Ce qui reste au fond de la lèchefrite cuira si on la laisse dans le four encore chaud, rendant le nettoyage plus difficile.

Cuisson au grill :

1. Ouvrir le tiroir du grill et sortir la lèchefrite et sa grille.
2. Placer les aliments sur la grille de la lèchefrite à la position désirée et fermer le tiroir.
3. Appuyer sur BROIL.
Le témoin BROIL s'allume.
4. Appuyer sur START (mise en marche).
Le témoin s'allume. Le réglage de la température peut être changé en tout temps durant la cuisson au grill. Si on fait la cuisson au grill pendant que la minuterie compte à rebours, on peut voir la température réglée pour la cuisson au grill pendant 5 secondes en appuyant sur BROIL.
5. Appuyer sur OFF/CANCEL (annulation/arrêt) après avoir terminé la cuisson au grill.

TABLEAU DE CUISSON AU GRIL

Pour les meilleurs résultats, on devrait tourner la lèchefrite en même temps qu'on retourne les aliments. Les durées de cuisson sont citées à titre indicatif seulement; on peut les régler en fonction des aliments et goûts personnels.

ALIMENTS	DURÉE DE CUISSON minutes	
	CÔTÉ 1	CÔTÉ 2
Morceaux de poulet avec os	15-17	15-17
Poitrines de poulet désossées	11-13	11-13
Filets de poisson ½ - ¾" (1,25-1,8 cm) d'épaisseur	7-8	3-4
Saucisses de Francfort	5-6	2-3
Galettes de viande hachée ¾" (1,8 cm) d'épaisseur, bien cuites*	11-13	6-7
Tranche de jambon, précuit ½" (1,25 cm) d'épaisseur	6-8	3-4
Côtelettes d'agneau 1" (2,5 cm) d'épaisseur	14-17	8-9
Côtelettes de porc 1" (2,5 cm) d'épaisseur	19-21	9-10
Bifteck 1" (2,5 cm) d'épaisseur, saignant	10-12	5-6
à point	12-14	6-7
bien cuit	16-17	8-9

*Placer jusqu'à 9 galettes, également espacées sur la grille de la lèchefrite.

ENTRETIEN DE LA CUISINIÈRE

Nettoyage général

IMPORTANT : Avant le nettoyage, s'assurer que toutes les commandes sont désactivées et que le four et la table de cuisson sont refroidis. Toujours suivre les instructions sur les étiquettes des produits nettoyants.

Du savon, de l'eau et un linge doux ou une éponge sont recommandés, à moins d'indication contraire.

SURFACES EXTERNES EN ÉMAIL VITRIFIÉ (sur certains modèles)

Les renversements d'aliments contenant des produits acides, tels que vinaigre et tomates, doivent être nettoyés dès que l'ensemble de l'appareil est refroidi. Ces renversements peuvent affecter le fini.

Méthode de nettoyage :

- Nettoyant à vitre, nettoyant doux liquide ou tampon à récurer non abrasif :
Nettoyer doucement autour de la plaque signalétique des numéros de modèle et de série car le frottement pourrait en effacer les chiffres.
- Nettoyant tout-usage pour appareil ménager - Pièce n° 31662 (non incluse) :
Voir la section "Assistance ou service" pour placer une commande.

COMMANDES DE LA TABLE DE CUISSON

Pour éviter d'endommager les commandes de la table de cuisson, ne pas utiliser de laine d'acier, de produits de nettoyage abrasifs ou de nettoyant pour four.

Ne pas faire tremper les boutons. Lors de la réinstallation des boutons, s'assurer que chaque bouton est à la position d'arrêt (Off).

Sur certains modèles, ne pas enlever les joints sous les boutons.

Méthode de nettoyage :

- Savon et eau ou lave-vaisselle :
Tirer les boutons directement hors du tableau de commande pour les enlever.

TABLEAU DE COMMANDE

Pour éviter d'endommager le tableau de commande, ne pas utiliser de nettoyants abrasifs, de tampons en laine d'acier, de chiffons de lavage rudes ou certains essuie-tout.

Méthode de nettoyage :

- Un nettoyant à vitre, un linge doux ou une éponge :
Appliquer le nettoyant à vitre sur un linge doux ou une éponge, et non pas directement sur le tableau.

GRILLES ET CHAPEAUX ÉMAILLÉS

Les renversements d'aliments contenant des acides, tels que le vinaigre et les tomates, doivent être nettoyés aussitôt que la table de cuisson, les grilles et les chapeaux sont refroidis. Ces renversements peuvent affecter le fini.

Pour éviter l'écaillage, ne pas entrechoquer les grilles et les chapeaux ni les frapper contre des surfaces dures telles que les ustensiles en fonte.

Ne pas réinstaller les chapeaux sur les brûleurs quand ils sont mouillés.

Méthode de nettoyage :

- Tampon à récurer en plastique non abrasif et nettoyant liquide doux légèrement abrasif :
Nettoyer dès que la table de cuisson, les grilles et les chapeaux sont refroidis.
- Lave-vaisselle (grilles seulement, pas les chapeaux) :
Utiliser le programme le plus intensif. Les saletés cuites doivent être trempées ou frottées avant d'être placées au lave-vaisselle.
- Nettoyant pour la grille et cuvette à gaz - Pièce n° 31617 :
Voir la section "Assistance ou service" pour placer une commande.

BRÛLEURS DE SURFACE

Voir la section "Brûleurs de surface".

EXTÉRIEUR DE LA PORTE DU FOUR

Méthode de nettoyage :

- Nettoyant à vitre et chiffon doux ou éponge :
Appliquer le nettoyant à vitre sur un chiffon doux ou une éponge, et non pas directement sur le tableau.
- Nettoyant tout-usage pour appareil ménager - Pièce n° 31662 (non incluse) :
Voir la section "Assistance ou service" pour placer une commande.

CAVITÉ DU FOUR

Ne pas utiliser les nettoyants à four.

Les renversements d'aliments doivent être nettoyés lorsque le four est refroidi. Aux températures élevées, l'aliment réagit avec la porcelaine et des taches, éclats, piqûres ou marques blanchâtres peuvent survenir.

Méthode de nettoyage :

- Nettoyant doux et tampon à récurer non abrasif.

GRILLES DU FOUR ET DE RÔTISSAGE

Méthode de nettoyage :

- Tampon en laine d'acier

LÈCHEFRITE ET GRILLE (sur certains modèles)

Méthode de nettoyage :

- Nettoyant légèrement abrasif :
Frotter avec un tampon à récurer mouillé.
- Solution de ½ tasse (125 mL) d'ammoniaque pour 1 gallon (3,75 L) d'eau :
Laisser tremper pendant 20 minutes, ensuite frotter avec un tampon à récurer ou en laine d'acier.
- Nettoyant pour four :
Suivre le mode d'emploi sur l'étiquette du produit.

Email vitrifié seulement, non le chrome

- Lave-vaisselle

Lampe du four

La lampe du four comporte une ampoule d'appareils ménagers standard de 40 watts. Appuyer sur la touche OVEN LIGHT (Lampe du four) sur la commande électronique du four pour allumer la lampe.

Avant le remplacement, s'assurer que la table de cuisson et le four sont froids et que les boutons de commande sont à la position off (arrêt).

Remplacement de l'ampoule :

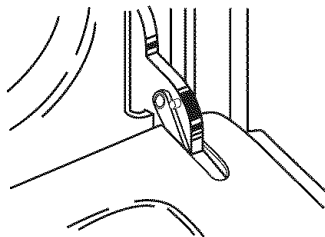
1. Débrancher la cuisinière ou déconnecter la source de courant électrique.
2. Tourner l'ampoule dans le sens antihoraire pour la retirer de la douille.
3. Remplacer l'ampoule.
4. Brancher la cuisinière ou reconnecter la source de courant électrique.

Porte du four

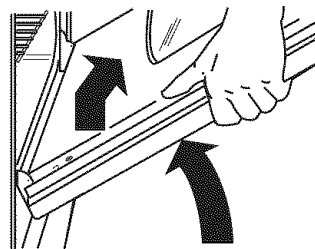
Il n'est pas nécessaire d'enlever la porte du four pour une utilisation normale. Toutefois, s'il est nécessaire de l'enlever, s'assurer que le four est éteint et froid. Puis suivre ces instructions. La porte du four est lourde.

Enlèvement :

1. Ouvrir la porte du four. Insérer les chevilles incluses avec la cuisinière dans les deux appuis de charnières. Ne pas enlever les chevilles pendant que la porte est retirée de la cuisinière.



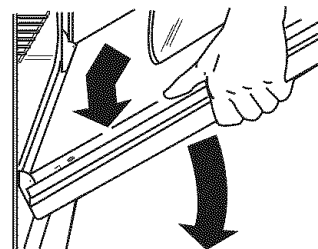
2. Saisir la porte sur les côtés avec les doigts sur le devant de la porte et les pouces sur la surface interne.



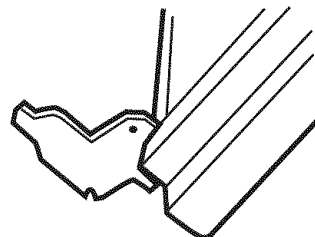
3. Soulever la porte tout droit vers soi. Ne pas enlever les chevilles tant que la porte n'est pas réinstallée.

Réinstallation :

1. Saisir la porte sur les côtés avec les doigts sur le devant de la porte et les pouces sur la surface interne.



2. Tenir la porte du four de telle sorte que le bord supérieur de chaque fente soit horizontal. Insérer la charnière de la porte dans les fentes.
3. Incliner le dessus de la porte vers la cuisinière. Insérer la charnière inférieure de la porte, échancrure vers le bas, sur le bord avant du châssis.



4. Ouvrir la porte complètement et enlever les chevilles de charnière. Les conserver pour utilisation future.
5. Fermer la porte lentement pour assurer le dégagement du panneau latéral de la porte et le bon enclenchement de la charnière.

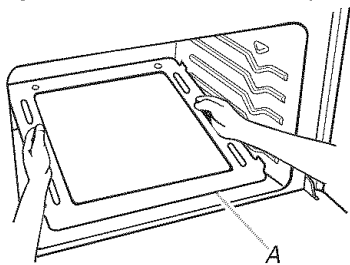
Enlèvement du panneau au fond du four

Le panneau au fond du four peut être enlevé pour le nettoyage standard du four.

Avant le nettoyage, s'assurer que le four est complètement froid.

Enlèvement :

1. Retirer les grilles du four.
2. Placer les doigts dans les fentes dans le panneau inférieur.



A. Lèvre

3. Soulever l'arrière du panneau vers le haut et vers l'arrière.
La lèvre à l'avant du panneau devrait se dégager du châssis avant de la cavité du four.
4. Soulever et sortir le panneau.

Réinstallation :

Suivre les étapes ci-dessus dans l'ordre inverse.

DÉPANNAGE

Essayer les solutions suggérées ici d'abord afin d'éviter le coût d'une visite de service non nécessaire.

Rien ne fonctionne

- **Est-ce que la prise de courant est bien raccordée et polarisée?**
Essayer une autre prise pour vérifier que la polarité et le raccordement sont adéquats.
- **Est-ce que le cordon d'alimentation est débranché?**
Brancher sur une prise à trois alvéoles correctement reliée à la terre.
- **Un fusible est-il grillé ou le disjoncteur s'est-il déclenché?**
Remplacer le fusible ou réenclencher le disjoncteur. Si le problème persiste, appeler un électricien.
- **Le robinet principal d'arrêt ou de réglage du gaz est-il à la position fermée?**
Voir les instructions d'installation.
- **La cuisinière est-elle bien raccordée à la canalisation de gaz?**
Contacter un technicien de réparation qualifié ou voir les instructions d'installation.

Les brûleurs de surface ne fonctionnent pas

- **Est-ce la première fois que les brûleurs de surface sont utilisés?**
Allumer n'importe quel brûleur de surface pour libérer l'air des canalisations de gaz.
- **Le bouton de commande est-il réglé correctement?**
Pousser sur le bouton avant de le tourner à un réglage.
- **Les orifices des brûleurs sont-ils obstrués?**
Voir la section "Brûleurs de surface".

Les flammes des brûleurs de surface ne sont pas uniformes, sont de teinte jaune et/ou bruyantes

- **Les orifices des brûleurs sont-ils obstrués?**
Voir la section "Brûleurs de surface".

- **Les chapeaux des brûleurs sont-ils bien installés?**

Voir la section "Brûleurs de surface".

- **Le mélange air/gaz est-il correct?**

Contactez un technicien de service désigné pour vérifier le mélange air/gaz ou voir les instructions d'installation.

- **Utilise-t-on du gaz propane?**

L'appareil a peut-être été converti incorrectement. Contactez un technicien de réparation qualifié.

Le brûleur de surface fait de petits bruits

- **Le brûleur est-il mouillé?**

Le laisser sécher.

Ustensile de cuisson pas d'aplomb sur la table de cuisson

- **La cuisinière est-elle d'aplomb?**

Niveler la cuisinière. Voir les instructions d'installation.

- **Utilise-t-on un ustensile de cuisson approprié?**

Utiliser un ustensile de cuisson à fond plat. Voir la section "Ustensiles de cuisson".

Chaleur excessive autour des ustensiles de cuisson sur la table de cuisson

- **L'ustensile de cuisson est-il de dimension appropriée?**

Utiliser un ustensile de cuisson à peu près de la même dimension que la surface de cuisson, l'élément ou le brûleur de surface. L'ustensile de cuisson ne doit pas dépasser de plus de 1/2" (1,3 cm) hors de la surface de cuisson.

Le four ne fonctionne pas

- **Est-ce que la prise de courant est bien raccordée et polarisée?**
Essayer une autre prise pour vérifier que la polarité et le raccordement sont adéquats.
- **Est-ce la première fois que le four est utilisé?**
Allumer n'importe quel brûleur de surface pour libérer l'air des canalisations de gaz.
- **La commande électronique du four est-elle correctement réglée?**
Voir la section "Commande électronique du four".
- **Sur certains modèles, le verrouillage du four est-il réglé?**
Voir la section "Verrouillage du four".
- **Le robinet principal d'arrêt ou de réglage du gaz est-il à la position fermée?**
Contacter un technicien de service désigné ou voir les instructions d'installation.

Le four émet un tic-tac sourd durant l'utilisation

- Ce bruit est normal et se produit lorsque le brûleur du four fonctionne par intermittence pour maintenir la température réglée.

Les flammes du brûleur du four ne sont pas uniformes, sont de teinte jaune ou bruyantes

- **Utilise-t-on du gaz propane?**
L'appareil a peut-être été converti incorrectement. Contacter un technicien de réparation qualifié.
- **Le mélange air/gaz est-il correct?**
Contacter un technicien de service désigné pour vérifier le mélange air/gaz ou voir les instructions d'installation.

La température du four est trop élevée ou trop basse

- **Le calibrage de la température du four a-t-il besoin d'être ajusté?**
Voir la section "Commande de température du four".

L'affichage indique des messages

- **L'affichage montre-t-il l'heure clignotante?**
Une panne de courant est survenue. Appuyer sur CANCEL/OFF (annulation/arrêt) pour effacer l'affichage. Régler de nouveau l'horloge si nécessaire. Voir la section "Horloge".
- **L'affichage montre-t-il "F" suivi d'un chiffre?**
Appuyer sur CANCEL/OFF (annulation/arrêt) pour effacer l'affichage. Si le code "F" apparaît de nouveau, contacter un technicien de réparation qualifié.

Les résultats de cuisson de la table de cuisson ne sont pas les résultats prévus

- **Utilise-t-on un ustensile de cuisson approprié?**
Voir la section "Ustensiles de cuisson".
- **Le bouton de commande est-il réglé au niveau approprié de chaleur?**
Voir la section "Commandes de la table de cuisson".

Les résultats de cuisson au four ne sont pas les résultats prévus

- **Le four a-t-il été préchauffé?**
Attendre que le four soit préchauffé avant d'y placer les aliments.
- **Les grilles sont-elles à la bonne position?**
Voir la section "Positionnement des grilles et ustensiles de cuisson".
- **Existe-t-il une circulation d'air appropriée autour des ustensiles de cuisson?**
Voir la section "Positionnement des grilles et ustensiles de cuisson".
- **La pâte est-elle répartie uniformément dans le plat?**
Vérifier pour s'assurer que la pâte est répartie uniformément dans le plat.
- **L'appareil est-il d'aplomb?**
Mettre l'appareil d'aplomb. Voir les instructions d'installation.
- **Les articles cuits au four sont-ils trop bruns à la base?**
Diminuer la température du four de 10°F à 30°F (5°C à 15°C).
- **Les bords des croûtes ont-ils brunis trop tôt?**
Utiliser du papier d'aluminium pour couvrir le bord de la croûte et/ou réduire la température de cuisson au four.

Lenteur de la cuisson au four ou du rôtissage

- **Le four a-t-il été préchauffé?**
Attendre que le four soit préchauffé avant d'y placer les aliments.
- **Existe-t-il une circulation d'air appropriée autour des ustensiles de cuisson?**
Voir la section "Positionnement des grilles et ustensiles de cuisson".
- **Utilise-t-on une durée de cuisson appropriée?**
Augmenter la durée de cuisson au four ou de rôtissage.
- **La température correcte est-elle réglée?**
Augmenter la température de 25°F (15°C).
- **La porte du four a-t-elle été ouverte pendant la cuisson?**
L'ouverture de la porte pour vérifier la cuisson laisse la chaleur du four s'échapper et peut nécessiter des durées de cuisson plus longues.

Le brûleur du gril ne s'allume pas

- **Le système d'allumage est-il brisé?**
Contacter un technicien de service désigné pour le remplacer.
- **Un fusible est-il grillé ou le disjoncteur s'est-il déclenché?**
Remplacer le fusible ou réenclencher le disjoncteur. Si le problème persiste, appeler un électricien.

ASSISTANCE OU SERVICE

Avant de faire un appel pour assistance ou service, consulter la section "Dépannage". Ce guide peut vous faire économiser le coût d'une visite de service. Si vous avez encore besoin d'aide, suivre les instructions ci-dessous.

Lors d'un appel, veuillez connaître la date d'achat, le numéro de modèle et le numéro de série au complet de l'appareil. Ces renseignements nous aideront à mieux répondre à votre demande.

Si vous avez besoin de pièces de rechange

Si vous avez besoin de commander des pièces de rechange, nous vous recommandons d'employer uniquement des pièces de rechange FSP®. Les pièces de rechange FSP® conviendront et fonctionneront bien parce qu'elles sont fabriquées avec la même précision utilisée dans la fabrication de chaque nouvel appareil WHIRLPOOL®.

Pour obtenir des pièces de rechange FSP® dans votre région, nous contacter ou appeler le Centre de service désigné de Whirlpool le plus proche.

Au Canada

Veuillez appeler sans frais le Centre d'interaction avec la clientèle de Whirlpool Canada LP au : **1-800-807-6777**.

Nos consultants vous renseigneront sur les sujets suivants :

- Caractéristiques et spécifications sur toute notre gamme d'appareils électroménagers.
- Consignes d'utilisation et d'entretien.
- Ventes d'accessoires et pièces de rechange.
- Références aux marchands locaux, aux distributeurs de pièces de rechange et aux compagnies de service. Les techniciens de service désignés par Whirlpool Canada LP sont formés pour remplir la garantie des produits et fournir un service après la garantie, partout au Canada.

Pour plus d'assistance

Si vous avez besoin de plus d'assistance, vous pouvez soumettre par écrit toute question ou préoccupation à Whirlpool Canada LP à l'adresse suivante :

Centre d'interaction avec la clientèle
Whirlpool Canada LP
1901 Minnesota Court
Mississauga, Ontario L5N 3A7

Veuillez inclure dans votre correspondance un numéro de téléphone où on peut vous joindre dans la journée.

Liste des accessoires

Nettoyant et poli pour acier inoxydable

(modèles en acier inoxydable)

Commander la pièce n° 31462B

Nettoyant tout-usage pour appareils ménagers

Commander la pièce n° 31662B

Nettoyant pour la grille et cuvette à gaz

Commander la pièce n° 31617B.

GARANTIE DES GROS APPAREILS MÉNAGERS WHIRLPOOL CORPORATION

GARANTIE LIMITÉE DE UN AN

Pendant un an à compter de la date d'achat, lorsque ce gros appareil ménager est utilisé et entretenu conformément aux instructions jointes à ou fournies avec le produit, Whirlpool Corporation ou Whirlpool Canada LP (ci-après désignées "Whirlpool") paiera pour les pièces spécifiées par l'usine et la main-d'œuvre pour corriger les vices de matériaux ou de fabrication. Le service doit être fourni par une compagnie de service désignée par Whirlpool. Cette garantie limitée s'applique exclusivement lorsque l'appareil est utilisé dans le pays où il a été acheté.

WHIRLPOOL NE PRENDRA PAS EN CHARGE

1. Les visites de service pour rectifier l'installation du gros appareil ménager, montrer à l'utilisateur comment utiliser l'appareil, remplacer ou réparer des fusibles ou rectifier le câblage ou la plomberie du domicile.
2. Les visites de service pour réparer ou remplacer les ampoules électriques de l'appareil, les filtres à air ou les filtres à eau. Ces pièces consommables ne sont pas couvertes par la garantie.
3. Les réparations lorsque le gros appareil ménager est utilisé à des fins autres que l'usage unifamilial normal.
4. Les dommages imputables à : accident, modification, usage impropre ou abusif, incendie, inondation, actes de Dieu, installation fautive ou installation non conforme aux codes d'électricité ou de plomberie, ou l'utilisation de produits non approuvés par Whirlpool.
5. Toute perte d'aliments due à une défaillance du réfrigérateur ou du congélateur.
6. Le coût des pièces de rechange et de la main-d'œuvre pour les appareils utilisés hors des États-Unis ou du Canada.
7. Le ramassage et la livraison. Ce gros appareil ménager est conçu pour être réparé à domicile.
8. Les réparations aux pièces ou systèmes résultant d'une modification non autorisée faite à l'appareil.
9. Les frais de transport pour le service d'un produit dans les régions éloignées.
10. La dépose et la réinstallation de votre appareil si celui-ci est installé dans un endroit inaccessible ou n'est pas installé conformément aux instructions d'installation fournies.
11. Le coût des pièces de rechange et de la main-d'œuvre lorsque l'appareil est utilisé dans un pays autre que le pays où il a été acheté.

CLAUSE D'EXONÉRATION DE RESPONSABILITÉ AU TITRE DES GARANTIES IMPLICITES; LIMITATION DES RECOURS

LE SEUL ET EXCLUSIF RECOURS DU CLIENT DANS LE CADRE DE LA PRÉSENTE GARANTIE LIMITÉE CONSISTE EN LA RÉPARATION PRÉVUE CI-DESSUS. LES GARANTIES IMPLICITES, Y COMPRIS LES GARANTIES APPLICABLES DE QUALITÉ MARCHANDE ET D'APTITUDE À UN USAGE PARTICULIER, SONT LIMITÉES À UN AN OU À LA PLUS COURTE PÉRIODE AUTORISÉE PAR LA LOI. WHIRLPOOL N'ASSUME AUCUNE RESPONSABILITÉ POUR LES DOMMAGES FORTUITS OU INDIRECTS. CERTAINES JURIDICTIONS NE PERMETTENT PAS L'EXCLUSION OU LA LIMITATION DES DOMMAGES FORTUITS OU INDIRECTS, OU LES LIMITATIONS DE LA DURÉE DES GARANTIES IMPLICITES DE QUALITÉ MARCHANDE OU D'APTITUDE À UN USAGE PARTICULIER, DE SORTE QUE CES EXCLUSIONS OU LIMITATIONS PEUVENT NE PAS S'APPLIQUER DANS VOTRE CAS. CETTE GARANTIE VOUS CONFÈRE DES DROITS JURIDIQUES SPÉCIFIQUES ET VOUS POUVEZ ÉGALEMENT JOUIR D'AUTRES DROITS QUI PEUVENT VARIER D'UNE JURIDICTION À UNE AUTRE.

À l'extérieur du Canada et des 50 États des États-Unis, cette garantie ne s'applique pas. Contacter votre marchand Whirlpool autorisé pour déterminer si une autre garantie s'applique.

Si vous avez besoin de service, voir d'abord la section "Dépannage" du Guide d'utilisation et d'entretien. Après avoir vérifié la section "Dépannage", de l'aide supplémentaire peut être trouvée en vérifiant la section "Assistance ou service" ou en appelant Whirlpool. Aux É.-U., composer le **1-800-253-1301**. Au Canada, composer le **1-800-807-6777**. 12/05

Conservez ce manuel et votre reçu de vente ensemble pour référence ultérieure. Pour le service sous garantie, vous devez présenter un document prouvant la date d'achat ou d'installation.

Inscrivez les renseignements suivants au sujet de votre gros appareil ménager pour mieux vous aider à obtenir assistance ou service en cas de besoin. Vous devrez connaître le numéro de modèle et le numéro de série au complet. Vous trouverez ces renseignements sur la plaque signalétique située sur le produit.

Nom du marchand _____

Adresse _____

Numéro de téléphone _____

Numéro de modèle _____

Numéro de série _____

Date d'achat _____

W10142329A

© 2007 Whirlpool Corporation.
All rights reserved.
Tous droits réservés.
Todos los derechos reservados.

® Registered Trademark/TM Trademark of Whirlpool, U.S.A., Whirlpool Canada LP Licensee in Canada
® Marque déposée/TM Marque de commerce de Whirlpool, U.S.A., emploi licencié par Whirlpool Canada LP au Canada
® Marca registrada/TM Marca de comercio de Whirlpool, U.S.A., usada bajo licencia de Whirlpool Canada LP en Canadá

06/07
Printed in Mexico
Imprimé au Mexique
Impreso en México