

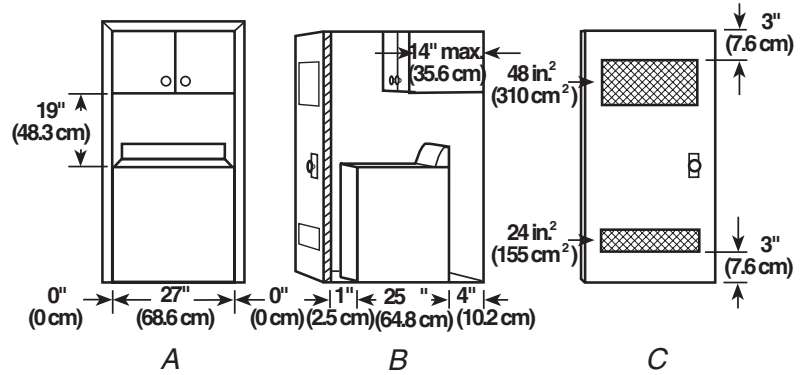
## PRODUCT MODEL NUMBERS

GST9630P	LSN1000P	LSQ9659P
GST9679P	LSN2000P	LSQ9660P
GSW9800P	LSN3000P	LSR5132P
GSW9900P	LSQ8000L	LSR7010P
LBR4132P	LSQ9010P	LSR7133P
LBR5432P	LSQ9030P	LSR7300P
LSB6000P	LSQ9110P	LSR7333P
LSB6200P	LSQ9200P	LSR8010P
LSB6300P	LSQ9549P	LSR9434P
LSB6500P	LSQ9550P	LSW9700P
LSC5000P	LSQ9560P	LSW9750P
LSC9000P	LSQ9650P	LXR7244P

**Electrical:** A 120-volt, 60-Hz., AC-only, 15- or 20-amp, fused electrical supply is required. A time-delay fuse or circuit breaker is recommended. It is recommended that a separate circuit serving only this appliance be provided.

## RECESSED AREA AND CLOSET INSTALLATION

The dimensions shown are for the recommended spacing allowed (A and B), except the closet door ventilation openings. The dimensions shown for the closet door ventilation openings (C) are the minimum required.



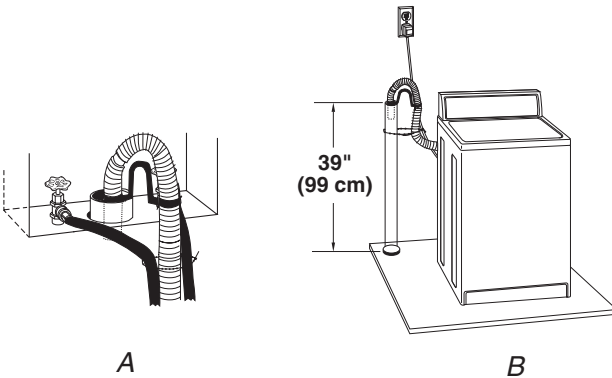
A. Front view  
 B. Side view  
 C. Closet door with vents

## DRAIN SYSTEM OPTIONS

### Standpipe drain system - wall or floor (views A & B)

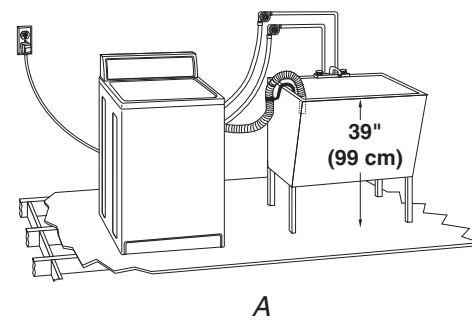
The standpipe drain requires a minimum diameter standpipe of 2" (5 cm). The minimum carry-away capacity can be no less than 17 gal. (64 L) per minute. A 2" (5 cm) diameter to 1" (2.5 cm) diameter standpipe adapter kit is available.

The top of the standpipe must be at least 39" (99 cm) high and no higher than 96" (244 cm) from the bottom of the washer.



### Laundry tub drain system (view A)

The laundry tub needs a minimum 20 gal. (76 L) capacity. The top of the laundry tub must be at least 39" (99 cm) above the floor and no higher than 96" (244 cm) from the bottom of the washer.



### Floor drain system (view B)

The floor drain system requires a siphon break that may be purchased separately. The siphon break must be a minimum of 28" (71 cm) from the bottom of the washer. Additional hoses might be needed.

