

# INSTALLATION INSTRUCTIONS

## COMMERCIAL STACKED GAS DRYERS

04



### **⚠️ WARNING - RISK OF FIRE**

- To reduce the risk of severe injury or death, follow all installation instructions.
- Clothes dryer installation must be performed by a qualified installer.
- Install the clothes dryer according to these instructions and in accordance with local codes. In the absence of local codes, installation must comply with National Fuel Gas Code, ANSIZ223.1/NFPA 54 or the Canadian Natural Gas and Propane Installation Code, CSA B149.1.
- *California Safe Drinking Water and Toxic Enforcement Act*  
This act requires the governor of California to publish a list of substances known to the state to cause cancer, birth defects or other reproductive harm and requires businesses to warn customers of potential exposure to such substances. Gas appliances can cause minor exposure to four of these substances, namely benzene, carbon monoxide, formaldehyde and soot, caused primarily by the incomplete combustion of natural gas or LP fuels. Properly adjusted dryers will minimize incomplete combustion. Exposure to these substances can be minimized further by properly venting the dryer to the outdoors.
- This dryer must be exhausted to the outdoors.
- Use only 4" rigid metal ducting for exhausting the clothes dryer to the outdoors.
- DO NOT install a clothes dryer with flexible plastic ducting materials. If flexible metal (semi-rigid or foil-type) duct is installed, it must be UL listed and installed in accordance with these instructions and local codes. Flexible venting materials are known to collapse, be easily crushed, and trap lint. These conditions will obstruct dryer airflow and increase the risk of fire.
- Do not install or store this appliance in any location where it could be exposed to water and or weather.
- Save these instructions. (Installers: Be sure to leave these instructions with the customer).

### **BEFORE YOU BEGIN - Read these instructions completely and carefully**

- **Important** - Save these instructions for local inspector's use.
- **Important** - Observe all governing codes and ordinances.
- **Note to Installer**  
- Be sure to leave these instructions with the customer.
- **Note to Customer**  
- Keep these instructions for local inspector's use.
- Before the old dryer is removed from service or discarded, remove the dryer door.
- Inspect the dryer exhaust outlet and straighten the outlet walls if they are bent.
- Service information and the wiring diagram are located in the control console.
- Do not allow children on or in the appliance. Close supervision is necessary when the appliance is used near children.
- Install the dryer where the temperature is above 50°F for satisfactory operation of the dryer control system.

### **Tools and Materials you will need**

- Slip joint pliers, 8" pipe wrench, 10" adjustable wrenches (x2),
- Screwdrivers (slotted or phillips head)
- Chains (x2)
- 2" x 4" studs
- Wall hoods
- 4" diameter rigid metal duct, duct clamps, elbows and exhaust hood.
- Flexible gas connector
- Pipe compound
- Soap solution for leak detection
- Basic safety protection such as safety goggles, gloves and arm protection are recommended.

**⚠️ WARNING:** For your safety the information in this manual must be followed to minimize the risk of fire or explosion or to prevent property damage, personal injury or death.

- Do not store or use gasoline or other flammable vapors and liquids in the vicinity of this or any other appliance.
- **WHAT TO DO IF YOU SMELL GAS**
  - Do not try to light any appliance.
  - Do not touch any electrical switch; do not use any phone in your building.
  - Clear the room, building or area of all occupants.
  - Immediately call your gas supplier from a neighbor's phone. Follow the gas supplier's instructions.
  - If you cannot reach your gas supplier, call the fire dep't.
- Installation and service must be performed by a qualified installer, service agency, or the gas supplier.

The ANSI Z21.5.1 standard requires the following safety cautions be posted and displayed in a prominent location:

- a. Instructions to be followed in the event the user smells gas. The information to be posted shall be obtained by consulting with the local gas supplier.
- b. This note:

### **FOR YOUR SAFETY**

DO NOT STORE OR USE GASOLINE OR OTHER FLAMMABLE VAPORS AND LIQUIDS IN THE VICINITY OF THIS OR ANY OTHER APPLIANCE.

**In the state of Massachusetts, installation must be performed by a qualified or licensed contractor, plumber, or gas fitter qualified or licensed by the state. NOTE: Service of this dryer must be performed by a qualified service agency.**

# INSTALLATION

## ***Preparing the Installation Site and Unpacking the Dryer***

1. Prepare the area and exhaust for installation of the new dryer.
2. Check to be sure that the existing external exhaust is clean and that it meets attached installation specifications.
3. Using the four shipping carton corner posts as padding (two on each side), carefully lay the dryer on its left side and remove foam shipping pad.
4. Return the dryer to an upright position.
5. Move the dryer to the desired location.

**CAUTION: FOR PERSONAL SAFETY, STACKED UNITS MUST BE FASTENED SECURELY TO WALL.**

THE DRYER MUST NOT BE INSTALLED OR STORED IN AN AREA WHERE IT WILL BE EXPOSED TO WATER AND/OR WEATHER.

PLEASE PROVIDE ADEQUATE SPACE FOR OPERATING AND SERVICING.

**WARNING: Personal Injury Hazard**  
Because of its weight and size, more than one person is required to lift, tilt or move the washer/dryer. Failure to do so may result in personal injury.

### **STEP 1**

Attach two chains using Phillips head screws to each end of upper unit cabinet.

### **STEP 2**

Locate two wall studs behind desired operating location of stacked units.

NOTE: For wall studs not appropriately spaced, see section for Alternate Method for Installation of Wall Hooks.

### **STEP 3**

Screw two wall hooks into two wall studs (same height as chain connections on cabinet of upper unit). Both chains should pull straight back to wall studs or angle outward. NEITHER chain should angle inward.

NOTE: The final construction must withstand a pull of 200 lbs.

### **STEP 4**

Connect both dryers to gas supply.  
(See GAS CONNECTION INFORMATION of this instruction.)

### **STEP 5**

Connect both dryers to power supply. (See ELECTRICAL CONNECTION INFORMATION section of this instruction.)

### **STEP 6**

Connect both dryers to external exhaust. (See EXHAUST INFORMATION section of this instruction.)

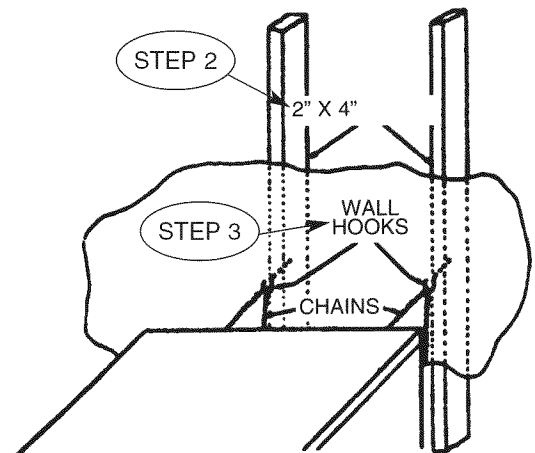
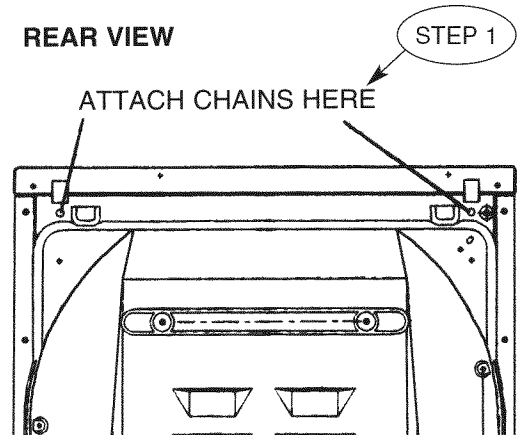
### **STEP 7**

Hook both chains from upper unit to appropriate wall hooks taking up any slack.

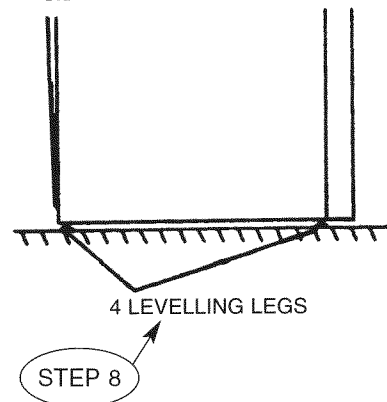
### **STEP 8**

Adjust all 4 levelling legs. Dryer must be levelled and rest firmly on all 4 levelling legs.

REAR VIEW



SIDE VIEW



## Alternate Method for Installation of Wall Hooks

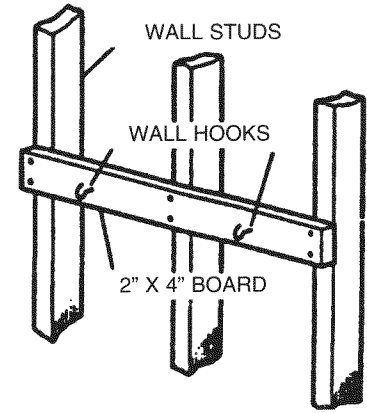
### STEP 1

If wall studs are not correctly spaced or centered behind upper unit, it may be necessary to attach a horizontal 2" x 4" board to the existing wall.

### STEP 2

Attach wall hooks in approximate position of two chains of upper unit so each chain pulls straight back to wall.

NOTE: If wall is concrete or block, drill holes and use appropriate wall anchors. The final construction must withstand a pull of 200 lbs.



## Minimum Clearance Other Than Alcove or Closet Installation

Minimum clearance to combustible surfaces and for air opening are: 0 in. clearance both sides and 1 in. rear. Consideration **must** be given to provide adequate clearance for proper operation and service.

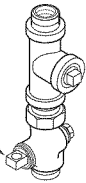
## GAS CONNECTION INFORMATION

### 1 PREPARING FOR INSTALLATION OF NEW DRYER

**TIP:** Install your dryer before installing your washer. This will allow better access when installing dryer exhaust.

#### DISCONNECTING GAS

TURN GAS SHUT-OFF VALVE TO THE OFF POSITION.



DISCONNECT AND DISCARD OLD FLEXIBLE GAS CONNECTOR AND OLD DUCTING MATERIAL

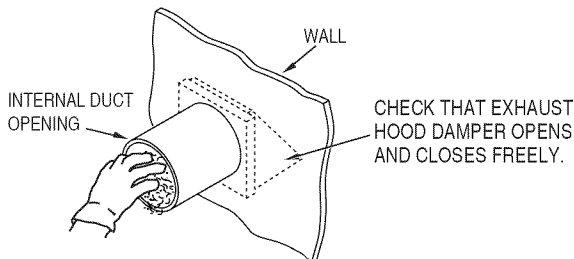


#### **WARNING - NEVER REUSE OLD FLEXIBLE CONNECTORS.**

The use of old flexible connectors can cause leaks and personal injury. Always use new flexible connectors when installing gas appliances.

#### REMOVING LINT FROM WALL EXHAUST OPENING

- Remove and discard existing plastic or metal foil transition duct and replace with UL-listed transition duct.



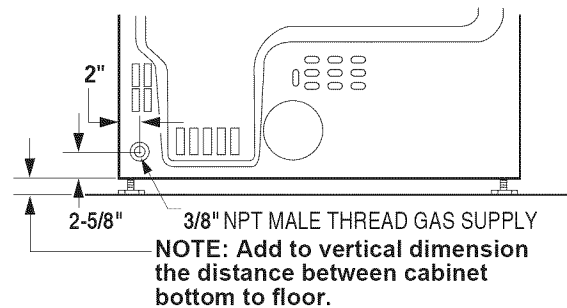
### 2 GAS REQUIREMENTS

#### **WARNING**

- Installation must conform to local codes and ordinances, or in their absence, the NATIONAL FUEL GAS CODE, ANSI Z223.

- This gas dryer is equipped with a Valve & Burner Assembly for use only with natural gas. Using conversion kit WE25X0217, your local service organization can convert this dryer for use with propane (LP) gas. ALL CONVERSIONS MUST BE MADE BY PROPERLY TRAINED AND QUALIFIED PERSONNEL AND IN ACCORDANCE WITH LOCAL CODES AND ORDINANCE REQUIREMENTS.
- The dryer must be disconnected from the gas supply piping system during any pressure testing of that system at a test pressure in excess of 0.5 PSI (3.4 KPa).
- The dryer must be isolated from the gas supply piping system by closing the equipment shut-off valve during any pressure testing of the gas supply piping of test pressure equal to or less than 0.5 PSI (3.4 KPa).

#### DRYER GAS SUPPLY CONNECTION



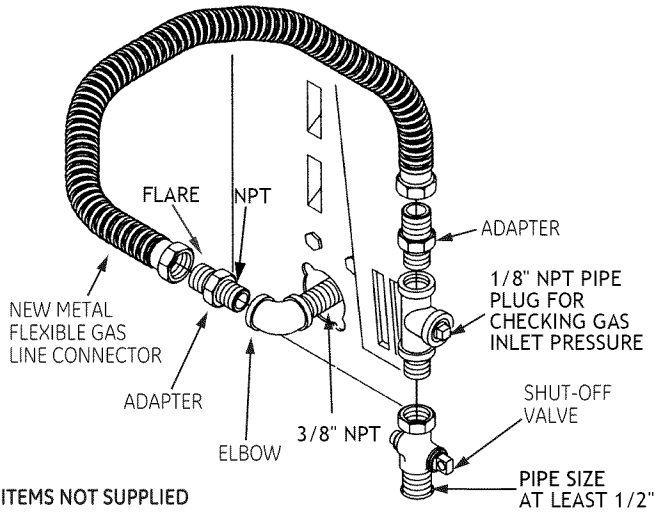
#### GAS SUPPLY

- A 1/8-in. National Pipe Taper thread plugged tapping, accessible for test gauge connection, must be installed immediately upstream of the gas supply connection to the dryer. Contact your local gas utility should you have questions on the installation of the plugged tapping.
- Supply line is to be 1/2-in. rigid pipe and equipped with an accessible shut-off within 6 ft. of, and in the same room with, the dryer.
- Use pipe thread sealer compound or Teflon tape appropriate for natural or LP gas.
- You must use with this dryer a flexible metal connector listed connector ANSI Z21.24 / CSA 6.10. The length of the connect shall not exceed 3 ft.
- Connect flexible metal connector to dryer and gas supply.
- Open shut-off valve.

# GAS CONNECTION INFORMATION (continued)

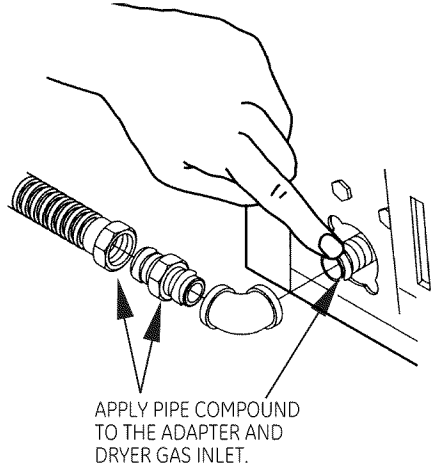
## 3 RECONNECTING GAS

Listed connector ANSI Z21.24 / CSA 6.10

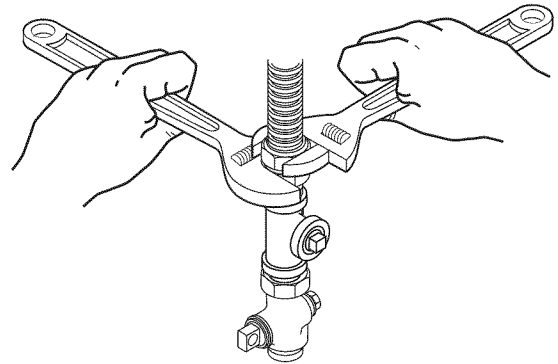
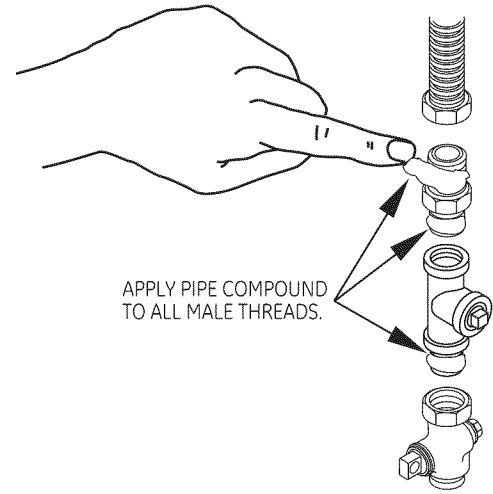
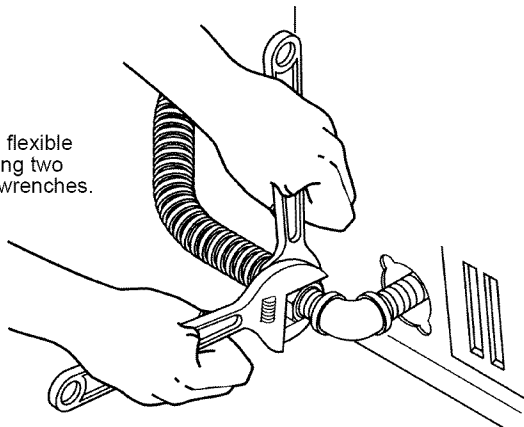


Note: The connector and fittings are designed for use only on the original installation and are not to be reused for another appliance or at another location. Keep flare end of adaptor free of grease, oil and thread sealant.

Caution: Use adapters as shown. Connector nuts must not be connected directly to pipe threads.



Tighten the flexible gas line using two adjustable wrenches.

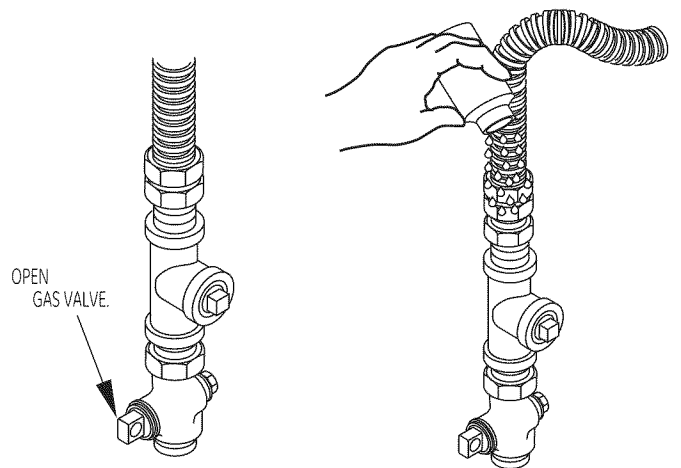


Tighten all connections using two adjustable wrenches.

**Do not overtorque gas connections!**

## 4 LEAK TEST

**⚠ WARNING - NEVER USE AN OPEN FLAME TO TEST FOR GAS LEAKS.**



Check all connections for leaks with soapy solution or equivalent. Apply soap solution. **Leak test solution must not contain ammonia which could cause damage to the brass fittings.** If leaks are found, close valve, retighten the joint, and repeat the soap test.

# EXHAUST INFORMATION

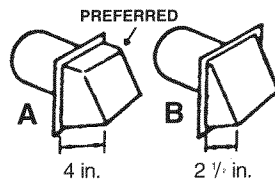


## WARNING - TO REDUCE THE RISK OF FIRE OR PERSONAL INJURY:

- This clothes dryer must be exhausted to the outdoors.
- Use only 4" rigid metal ducting for the home exhaust duct.
- Use only 4" rigid metal or UL-listed flexible metal (semi-rigid or foil-type) duct to connect the dryer to the home exhaust duct. It must be installed in accordance with these instructions and local codes.
- Do not terminate exhaust in a chimney, a wall, a ceiling, gas vent, crawl space, attic, under an enclosed floor, or in any other concealed space of a building. The accumulated lint could create a fire hazard.
- Never terminate the exhaust into a common duct with a kitchen exhaust system. A combination of grease and lint creates a potential fire hazard.
- Do not use duct longer than specified in the exhaust length table. Longer ducts can accumulate lint, creating a potential fire hazard.
- Never install a screen in or over the exhaust duct. This will cause lint to accumulate, creating a potential fire hazard.
- Do not assemble ductwork with any fasteners that extend into the duct. These fasteners can accumulate lint, creating a potential fire hazard.
- Do not obstruct incoming or exhausted air.
- Provide an access for inspection and cleaning of the exhaust system, especially at turns and joints. Exhaust system shall be inspected and cleaned at least once a year.
- In special installations, it may be necessary to connect the dryer to the house vent using a flexible metal (foil-type) duct. A UL-listed flexible metal (foil-type) duct may be used ONLY in installations where rigid metal or flexible metal (semi-rigid) ducting cannot be used AND where a 4" diameter can be maintained throughout the entire length of the transition duct. In Canada and in the United States, only the flexible metal (foil-type) ducts that comply with the "Outline for Clothes Dryer Transition Duct Subject 2158A" shall be used.

## EXHAUST LENGTH

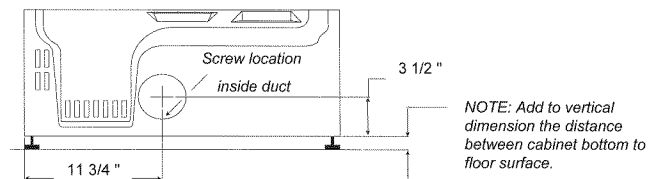
The MAXIMUM ALLOWABLE duct length and number of bends of the exhaust system depends upon the type of duct, number of turns, the type of exhaust hood (wall cap), and all conditions note below. The maximum allowable length for rigid metal duct is shown in the table below. More than two 90° turns is not recommended. The total length of flexible metal duct shall not exceed 8 ft.(2.4 m). In Canada and in the United States, the required exhaust duct diameter is 4in (102mm).



	NUMBER OF 90° TURNS	MAXIMUM LENGTH	
		EXHAUST – HOOD TYPE –	
		A	B
RIGID METAL DUCT	0	45 ft.	30 ft.
		35 ft.	20 ft.
4" DIAMETER	2	25 ft.	10 ft.

## REAR EXHAUST LOCATION

The dryers come ready for rear exhausting. Units have separate exhausts.



## EXHAUST SYSTEM CHECK LIST HOOD OR WALL CAP

- Terminate in a manner to prevent back drafts or entry of birds or other wildlife.
- Termination should present minimal resistance to the exhaust air flow and should require little or no maintenance to prevent clogging.
- Wall caps must be installed at least 12" above ground level or any other obstruction with the opening pointed down.

## SEPARATION OF TURNS

Separate all turns by at least 3 ft. of straight duct, including distance between last turn and dampered wall cap. If two turns must be closer than 3 ft., deduct 10 ft. from the maximum lengths shown in the table for each occurrence.

## TURNS OTHER THAN 90°

- One turn of 45° or less may be ignored.
- Two 45° turns should be treated as one 90°.
- Each turn over 45° should be treated as one 90°.

## SEALING OF JOINTS

- All joints should be tight to avoid leaks. The male end of each section of duct must point away from the dryer.
- Do not assemble the duct work with fasteners that extend into the duct. They will serve as a collection point for lint.
- Duct joints can be made air and moisture-tight by wrapping the overlapped joints with duct tape.

## INSULATION

Duct work which runs through an unheated area or is near an air conditioning duct should be insulated to reduce condensation and lint build up and be sloped down toward outdoors.

**NOTE:** Never install screen inside exhaust duct.

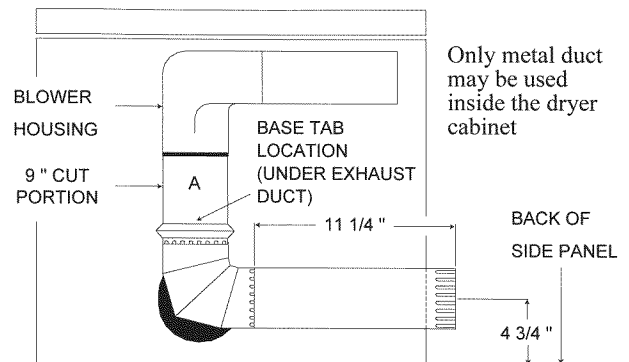
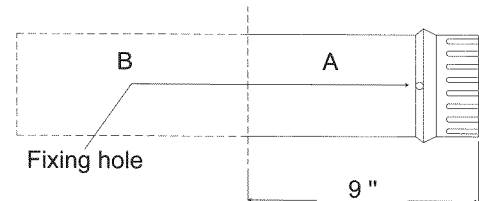
## EXHAUST INFORMATION (continued)

### STEPS TO CHANGE DRYER TO LEFT SIDE OR BOTTOM EXHAUST DIRECTLY ON CABINET

**NOTE:** This dryer can not be exhausted to the right side.

**WARNING:** Protect your hands and arms from sharp edges when working inside dryer cabinet.

- Never use flexible duct inside dryer.
- Detach and remove the desired knockout.
- Remove the screw inside the dryer exhaust duct end. Keep the screw for step 5. Pull on the duct to remove it.
- Cut the duct as shown. Keep portion A.
- Through the rear opening, locate the tab in the middle of the appliance base. Lift the tab to about 45° using a flat screwdriver.
- Reconnect and secure the cut portion (A) of the duct to the blower housing. Make sure that the fixing hole is aligned with the tab in the base. Use the screw of item 2 to secure the duct in place through the tab on the appliance base.
- Use standard metal elbows and duct to complete exhaust system. Insert standard elbow and ducts through rear and side or bottom openings.
- Cover the opening at the back with the plate (Kit WE1M454) available from your Local Service Provider.



**WARNING: NEVER LEAVE THE BACK OPENING WITHOUT THE PLATE.**

### PARTS AVAILABLE FROM LOCAL SERVICE ORGANIZATION

- Rigid Metal Duct Components
  - WX8X63 4" X 1' Duct
  - WX8X64 4" x 2' Duct
  - WX8X51 4" Elbow
  - WX8X59 Aluminum Hood
- Flexible Metal Duct Components
  - WX08X10077 4" dia. Flexible Metal (Semi-Rigid)
  - UL-Listed Transition Duct (includes 2 elbows)

## MINIMUM CLEARANCES

MINIMUM CLEARANCES FROM COMBUSTIBLE SURFACES AND NON-COMBUSTIBLE SURFACES FOR AIR INTAKE PURPOSES.

- Minimum clearances are
- 0" both sides
  - 1" at rear
  - 88" vertical space from floor to ceiling

## ELECTRICAL CONNECTION INFORMATION

**CAUTION, FOR PERSONAL SAFETY:**  
DO NOT USE AN EXTENSION CORD OR AN ADAPTER PLUG WITH THIS APPLIANCE.

DO NOT, UNDER ANY CIRCUMSTANCES, CUT OR REMOVE THE THIRD GROUNDING PRONG FROM THE POWER CORD.

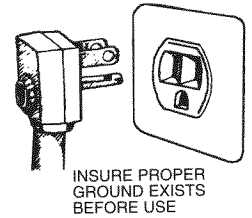
Dryer must be electrically grounded in accordance with local codes and ordinances, or in the absence of local codes, in accordance with the NATIONAL ELECTRICAL CODE, ANSI/NFPA NO. 70-1990.

The electrical diagram is located inside control panel.

### Electrical requirements

- This appliance must be supplied with 120V, 60 Hz, and connected to an individual, properly grounded branch circuit, protected by a 15 or 20 amp circuit breaker or time-delay fuse.

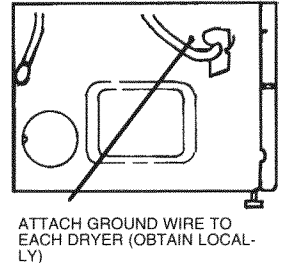
If the electric supply provided does not meet the above specifications, it is recommended that a licensed electrician install an approved outlet.



### External ground (if required)

An external ground wire, (not provided), which meets local codes, may be added by attaching to the green ground screw on the rear of the dryer, and to grounded metal cold water pipe or other established ground.

### REAR VIEW



**CAUTION:** Label all wires prior to disconnection when servicing controls. Wiring error can cause improper and dangerous operation. Verify proper operation after servicing.

## CARE AND CLEANING

### USER MAINTENANCE INSTRUCTIONS

**The Drum.** The drum is rust-resistant and requires no special care.

**The Exterior.** Wipe off any spills or washing compounds. Wipe or dust with damp cloth. Try not to strike the surface with sharp objects.

**The Lint Filter.** Wipe lint filter before every use. Periodically lint filter should be removed and suction hose from vacuum cleaner should be inserted into the opening.

**Dryer Exhaust.** Inspect and clean the dryer exhaust ducting at least once a year.

Do not obstruct the flow of combustion and ventilating air. The air intake is located on rear of dryer.

Keep dryer area clear and free from combustible materials, gasoline and other flammable vapors and liquids.

To store dryer. For short period of time, disconnect power supply and clean lint filter.

Do not install or store dryer where it will be exposed to the weather.

### CAUTIONS

- Dryer control panel and finishes may be damaged by some laundry pre-treatment soil and stain remover products if such products are sprayed on or have direct contact with the dryer.

Apply these pre-treatment products away from the dryer. The fabric may then be washed and dried normally. Damage to your dryer caused by pre-treatment products is not covered by your warranty.

### Note to Installer:

#### After Installation check the following:

- Exhaust Duct - must meet specs as mentioned in "Exhaust Information" section of this installation instructions.
- Grounding - Dryer must be properly grounded to conform to local codes and ordinance requirements.
- Operation - Turn dryer ON and check for heat.
- Hand Customer the Use and Care Book - Give instructions on operating the dryer - answer any questions.
- Give these Installation Instructions to the customer.