

**KitchenAid®**

---

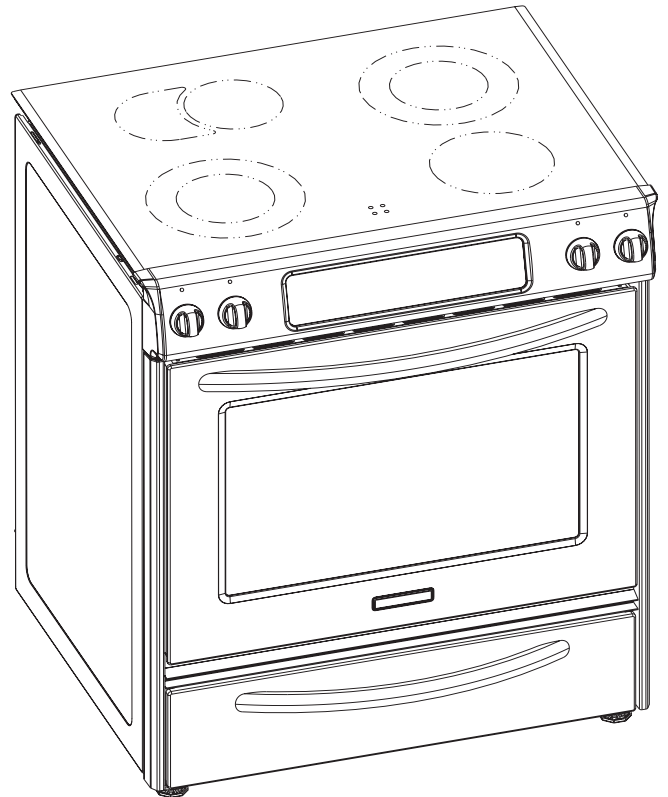
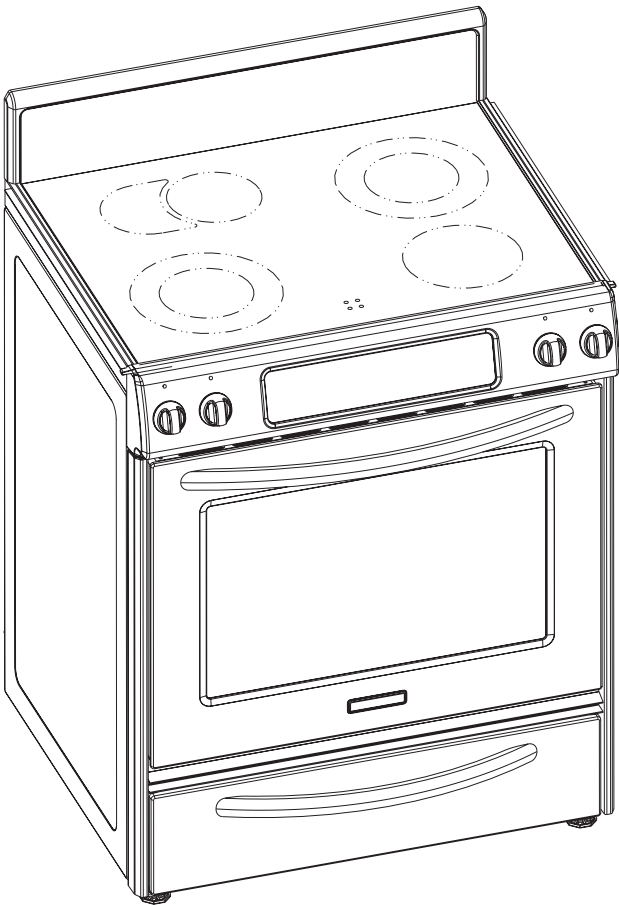
**INSTALLATION INSTRUCTIONS  
30" (76.2 CM) FREESTANDING AND SLIDE-IN  
ELECTRIC RANGES**

---

**INSTRUCTIONS D'INSTALLATION DE  
CUISINIÈRES ÉLECTRIQUES AUTOPORTANTES  
OU COULISSANTES DE 30" (76,2 CM)**

---

Table of Contents/Table des matières..... 2



# TABLE OF CONTENTS

**RANGE SAFETY** .....2

**INSTALLATION REQUIREMENTS** .....3

Tools and Parts .....3

Location Requirements .....3

Electrical Requirements - U.S.A. Only .....5

Electrical Requirements - Canada Only .....6

Countertop Preparation .....7

**INSTALLATION INSTRUCTIONS** .....7

Unpack Range.....7

Measure for Proper Height.....7

Adjust Leveling Legs .....8

Install Anti-Tip Bracket.....8

Electrical Connection - U.S.A. Only .....9

Verify Anti-Tip Bracket Location .....14

Level Range.....14

Complete Installation .....14

Moving the Range.....14

**ANTI-TIP BRACKET TEMPLATE** .....24

# TABLE DES MATIÈRES

**SÉCURITÉ DE LA CUISINIÈRE** .....16

**EXIGENCES D'INSTALLATION** .....16

Outillage et pièces .....16

Exigences d'emplacement .....17

Spécifications électriques .....20

Préparation du plan de travail .....20

**INSTRUCTIONS D'INSTALLATION**.....20

Déballage de la cuisinière .....20

Mesures pour une hauteur appropriée .....21

Ajuster les pieds de nivellement.....21

Installation de la bride antibasculement .....21

Vérification de l'emplacement de la bride antibasculement.....22

Réglage de l'aplomb de la cuisinière .....23

Achever l'installation .....23

Déplacement de la cuisinière .....24

**GABARIT POUR LA BRIDE ANTIBASCULEMENT** .....24

## RANGE SAFETY

### Your safety and the safety of others are very important.

We have provided many important safety messages in this manual and on your appliance. Always read and obey all safety messages.



This is the safety alert symbol.

This symbol alerts you to potential hazards that can kill or hurt you and others.

All safety messages will follow the safety alert symbol and either the word "DANGER" or "WARNING."

These words mean:

**⚠ DANGER**

You can be killed or seriously injured if you don't immediately follow instructions.

**⚠ WARNING**

You can be killed or seriously injured if you don't follow instructions.

All safety messages will tell you what the potential hazard is, tell you how to reduce the chance of injury, and tell you what can happen if the instructions are not followed.



### ⚠ WARNING

#### Tip Over Hazard

A child or adult can tip the range and be killed.

Connect anti-tip bracket to rear range foot.

Reconnect the anti-tip bracket, if the range is moved.

Failure to follow these instructions can result in death or serious burns to children and adults.

# INSTALLATION REQUIREMENTS

## Tools and Parts

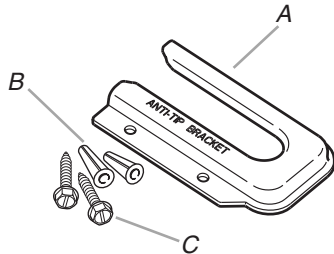
Gather the required tools and parts before starting installation. Read and follow the instructions provided with any tools listed here.

### Tools needed

- Tape measure
- Flat-blade screwdriver
- Level
- Hammer
- Hand or electric drill
- Wrench or pliers
- Marker or pencil
- Masking tape
- 1/4" nut driver
- 5/16" nut driver
- 1/8" (3.2 mm) drill bit (for wood floors)
- 3/16" (4.8 mm) carbide-tipped masonry drill bit (for concrete/ceramic floors)

### Parts supplied

Check that all parts are included.



A. Anti-tip bracket  
B. Plastic anchors (2)  
C. #10 x 1/2" screws (2)

- Anti-tip bracket must be securely mounted to subfloor. Thickness of flooring may require longer screws to anchor bracket to subfloor. Longer screws are available from your local hardware store.

### Parts needed

#### If using a power supply cord:

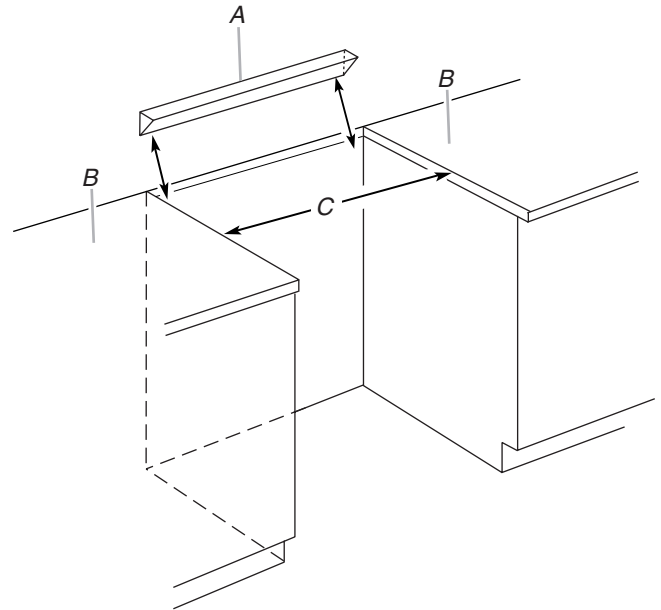
- A UL listed power supply cord kit marked for use with ranges. The cord should be rated at 250 volts minimum, 40 amps or 50 amps that is marked for use with nominal 1 3/8" (3.5 cm) diameter connection opening and must end in ring terminals or open-end spade terminals with upturned ends.
- A UL listed strain relief.

Check local codes. Check existing electrical supply. See "Electrical Requirements" section.

It is recommended that all electrical connections be made by a licensed, qualified electrical installer.

### Rear Filler Strip (optional)

The rear filler strip may be used to fill a gap between the rear of the slide-in cooktop and the wall in a freestanding cutout.



A. Rear filler strip  
B. Countertop  
C. Countertop cutout

Please reference the "Assistance or Service" section of the Use and Care Guide to order.

Black - W10113902A

White - W10113903A

Biscuit - W10113904A

## Location Requirements

**IMPORTANT:** Observe all governing codes and ordinances.

- It is the installer's responsibility to comply with installation clearances specified on the model/serial rating plate. The model/serial rating plate is located inside the oven door on the right-hand side oven door trim.
- The range should be located for convenient use in the kitchen.
- To eliminate the risk of burns or fire by reaching over heated surface units, cabinet storage space located above the surface units should be avoided. If cabinet storage is to be provided, the risk can be reduced by installing a range hood or microwave range hood combination that projects horizontally a minimum of 5" (12.7 cm) beyond the bottom of the cabinets.
- Cabinet opening dimensions that are shown must be used. Given dimensions are minimum clearances.
- The floor anti-tip bracket must be installed. To install the anti-tip bracket shipped with the range, see "Install Anti-Tip Bracket" section.
- Grounded electrical supply is required. See "Electrical Requirements" section.

**IMPORTANT:** To avoid damage to your cabinets, check with your builder or cabinet supplier to make sure that the materials used will not discolor, delaminate or sustain other damage. This oven has been designed in accordance with the requirements of UL and CSA International and complies with the maximum allowable wood cabinet temperatures of 194°F (90°C).

## Mobile Home - Additional Installation Requirements

The installation of this range must conform to the Manufactured Home Construction and Safety Standard, Title 24 CFR, Part 3280 (formerly the Federal Standard for Mobile Home Construction and Safety, Title 24, HUD Part 280). When such standard is not applicable, use the Standard for Manufactured Home Installations, ANSI A225.1/NFPA 501A or follow local codes.

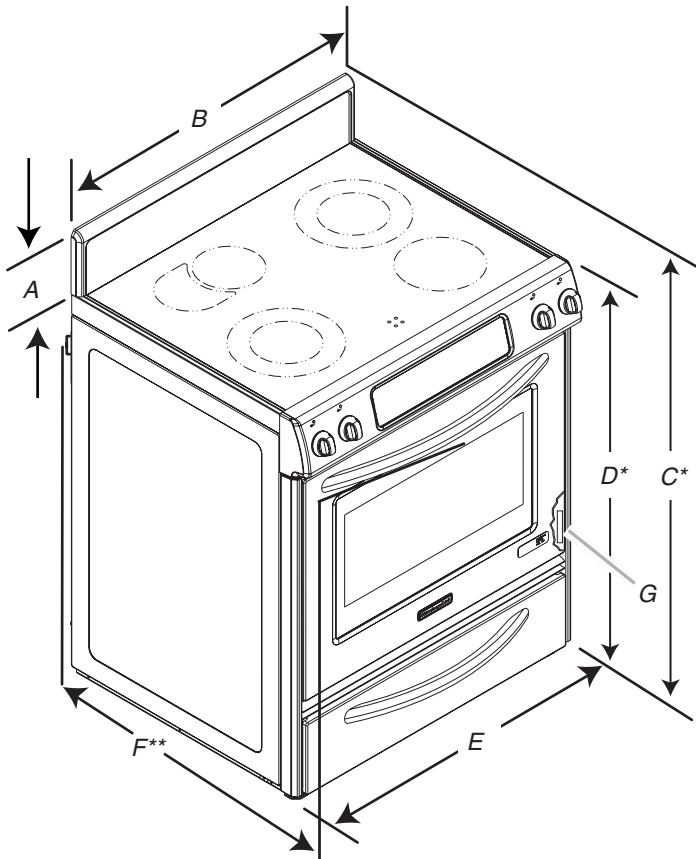
In Canada, the installation of this range must conform with the current standards CAN/CSA-A240-latest edition, or local codes.

## Mobile home installations require:

- When this range is installed in a mobile home, it must be secured to the floor during transit. Any method of securing the range is adequate as long as it conforms to the standards listed above.
- Four-wire power supply cord or cable must be used in a mobile home installation. The appliance wiring will need to be revised. See "Electrical Connection" section.

## Product Dimensions

### Freestanding Range



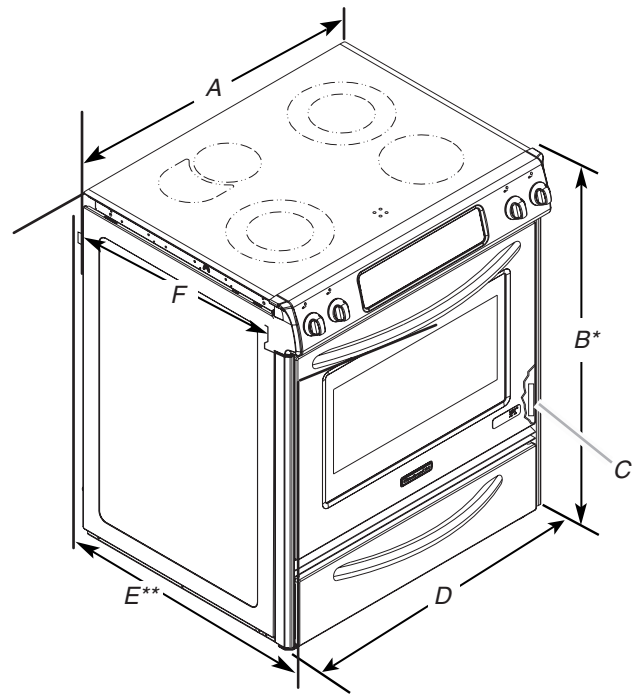
- A. 5<sup>3</sup>/<sub>4</sub>" (14.6 cm)
- B. 30" (76.2 cm)
- C. 41<sup>3</sup>/<sub>4</sub>" (106.0 cm) overall height with leveling legs screwed all the way in\*
- D. 36" (91.4 cm) cooktop trim height with leveling legs screwed all the way in\*

- E. 30" (76.2 cm)
- F. 27<sup>1</sup>/<sub>4</sub>" (69.2 cm) max. from handle to standoff at back of range\*\*
- G. Model/serial number plate (located on the right-hand side oven door trim)

\*Range can be raised approximately 1" (2.5 cm) by adjusting the leveling legs.

\*\*When installed in a 24" (61.0 cm) base cabinet with 25" (63.5 cm) countertop; front of oven door protrudes 1" (2.5 cm) beyond 24" (61.0 cm) base cabinet.

### Slide-in Range



- A. 30<sup>1</sup>/<sub>16</sub>" (77.6 cm)
- B. 35<sup>5</sup>/<sub>8</sub>" (90.5 cm) height to underside of cooktop edge with leveling legs screwed all the way in\*
- C. Model/serial number plate (located on the right-hand side oven door trim)
- D. 30" (76.2 cm)
- E. 27<sup>1</sup>/<sub>4</sub>" (69.2 cm) (27<sup>1</sup>/<sub>16</sub>" [70.3 cm] on models KERS807XSP and KESS907XSP) from handle to standoff at back of range\*\*
- F. 23" (58.4 cm) countertop notch to rear of cooktop

\*Range can be raised approximately 1" (2.5 cm) by adjusting the leveling legs.

\*\*When installed in a 24" (61.0 cm) base cabinet with 25" (63.5 cm) countertop; front of oven door protrudes 1<sup>3</sup>/<sub>4</sub>" (4.4 cm) (2<sup>3</sup>/<sub>16</sub>" [5.5 cm] on models KERS807XSP and KESS907XSP) beyond 24" (61.0 cm) base cabinet.

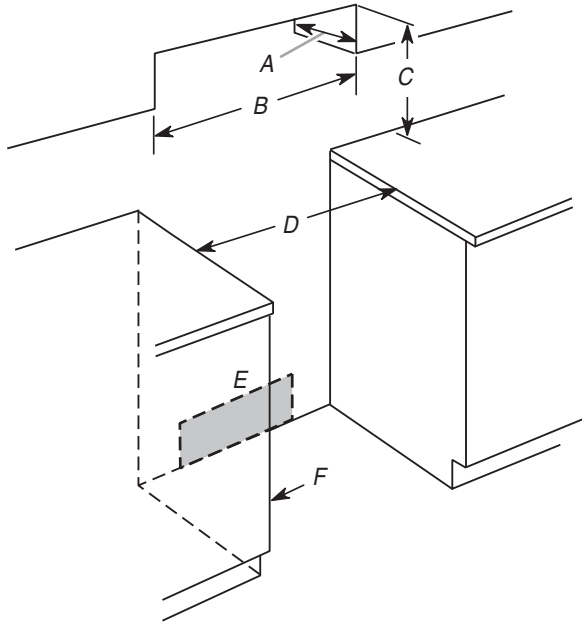
## Cabinet Dimensions

Cabinet opening dimensions shown are for 25" (64.0 cm) countertop depth, 24" (61.0 cm) base cabinet depth and 36" (91.4 cm) countertop height.

**IMPORTANT:** If installing a range hood or microwave hood combination above the range, follow the range hood or microwave hood combination installation instructions for dimensional clearances above the cooktop surface.

### Freestanding Range

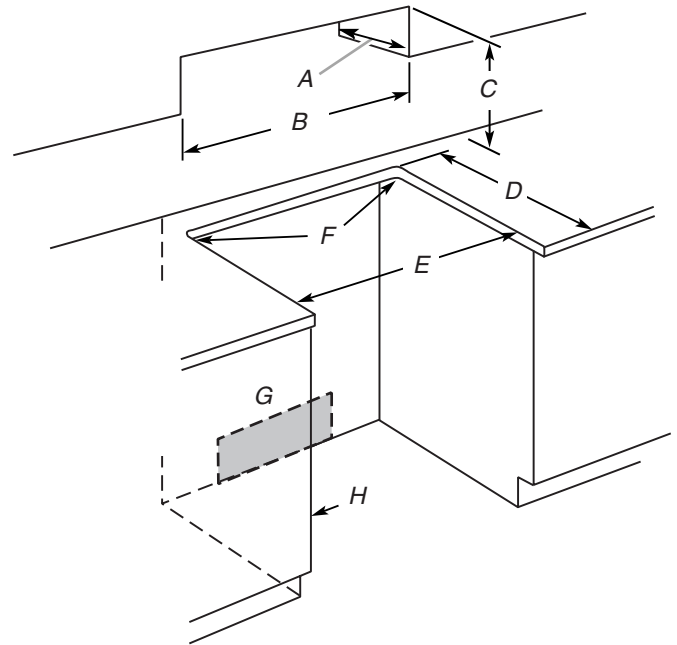
A freestanding range may be installed next to combustible walls with zero clearance.



- A. 13" (33.0 cm) upper cabinet depth
- B. 30" (76.2 cm) min. opening width
- C. For minimum clearance to the top of the cooktop, see NOTE\*.

- D. 30" (76.2 cm) min. opening width
- E. Junction box - 8" (20.3 cm) to 22" (55.9 cm) from either cabinet, 7" (17.8 cm) max. from floor
- F. Cabinet door or hinge should not extend into the cutout.

### Slide-in Range



- A. 13" (33.0 cm) upper cabinet depth
- B. 30" (76.2 cm) min. opening width
- C. For minimum clearance to the top of the cooktop, see NOTE\*.
- D. 22 $\frac{3}{4}$ " (57.8 cm) opening depth

- E. 30" (76.2 cm) min. opening width
- F. Square cut or  $\frac{1}{4}$ " (6.2 cm) radius both corners
- G. Junction box - 8" (20.3 cm) to 22" (55.9 cm) from either cabinet, 7" (17.8 cm) max. from floor
- H. Cabinet door or hinge should not extend into cutout.

**NOTE:** 24" (61.0 cm) minimum when bottom of wood or metal cabinet is covered by not less than  $\frac{1}{4}$ " (0.64 cm) flame retardant millboard covered with not less than No. 28 MSG sheet steel, 0.015" (0.4 mm) stainless steel, 0.024" (0.6 mm) aluminum or 0.020" (0.5 mm) copper.

30" (76.2 cm) minimum clearance between the top of the cooking platform and the bottom of an uncovered wood or metal cabinet.

## Electrical Requirements - U.S.A. Only

If codes permit and a separate ground wire is used, it is recommended that a qualified electrical installer determine that the ground path is adequate and wire gauge is in accordance with local codes.

Do not use an extension cord.

Be sure that the electrical connection and wire size are adequate and in conformance with the National Electrical Code, ANSI/NFPA 70-latest edition and all local codes and ordinances.

A copy of the above code standards can be obtained from:

National Fire Protection Association  
One Batterymarch Park  
Quincy, MA 02269

**WARNING:** Improper connection of the equipment-grounding conductor can result in a risk of electric shock. Check with a qualified electrician or service technician if you are in doubt as to whether the appliance is properly grounded. Do not modify the power supply cord plug. If it will not fit the outlet, have a proper outlet installed by a qualified electrician.

### Electrical Connection

To properly install your range, you must determine the type of electrical connection you will be using and follow the instructions provided for it here.

- Range must be connected to the proper electrical voltage and frequency as specified on the model/serial number rating plate. The model/serial rating plate is located inside the oven door on the right-hand side oven door trim. Refer to the figures in the "Product Dimensions" section of the "Location Requirements" section.
- This range is manufactured with the neutral terminal connected to the cabinet. Use a 3-wire UL listed, 40- or 50-amp power supply cord (pigtail) (see following Range Rating chart). If local codes do not permit ground through the neutral, use a 4-wire power supply cord rated at 250 volts, 40 or 50 amps and investigated for use with ranges.

Range Rating*		Specified Rating of Power Supply Cord Kit and Circuit Protection
120/240 Volts	120/208 Volts	Amps
8.8 - 16.5 KW	7.8 - 12.5 KW	40 or 50**
16.6 - 22.5 KW	12.6 - 18.5 KW	50

\*The NEC calculated load is less than the total connected load listed on the model/serial rating plate.

\*\*If connecting to a 50-amp circuit, use a 50-amp rated cord with kit. For 50-amp rated cord kits, use kits that specify use with a nominal 1 $\frac{3}{8}$ " (34.93 mm) diameter connection opening.

- A circuit breaker is recommended.
- The range can be connected directly to the fused disconnect (or circuit breaker box) through flexible or nonmetallic sheathed, copper or aluminum cable. See the "Electrical Connection" section.
- Allow 2 to 3 ft (61.0 cm to 91.4 cm) of slack in the line so that the range can be moved if servicing is ever necessary.
- A UL listed conduit connector must be provided at each end of the power supply cable (at the range and at the junction box).
- Wire sizes and connections must conform with the rating of the range (40 amps).
- The wiring diagram is located on the underside of the storage drawer or below the warming drawer in a clear plastic bag.

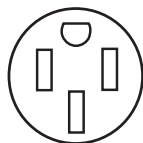
#### If connecting to a 4-wire system:

This range is manufactured with the ground connected to the cabinet. The ground must be revised so the green ground wire of the 4-wire power supply cord is connected to the cabinet. See the "Electrical Connection" section.

Grounding through the neutral conductor is prohibited for new branch-circuit installations (1996 NEC); mobile homes; and recreational vehicles, or an area where local codes prohibit grounding through the neutral conductor.

When a 4-wire receptacle of NEMA Type 14-50R is used, a matching UL listed, 4-wire, 250-volt, 40-amp, range power supply cord (pigtail) must be used. This cord contains 4 copper conductors with ring terminals or open-end spade terminals with upturned ends, terminating in a NEMA Type 14-50P plug on the supply end.

The fourth (grounding) conductor must be identified by a green or green/yellow cover and the neutral conductor by a white cover. Cord should be Type SRD or SRDT with a UL listed strain relief and be at least 4 ft (1.22 m) long.



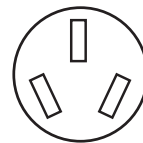
4-wire receptacle (14-50R)

The minimum conductor sized for the copper 4-wire power cord are:

- 40-amp circuit
- 2 No.-8 conductors
- 1 No.-10 white neutral
- 1 No.-8 green grounding

#### If connecting to a 3-wire system:

Local codes may permit the use of a UL listed, 3-wire, 250 volt, 40-amp range power supply cord (pigtail). This cord contains 3 copper conductors with ring terminals or open-end spade terminals with upturned ends, terminating in a NEMA Type 10-50P plug on the supply end. Connectors on the appliance end must be provided at the point the power supply cord enters the appliance. This uses a 3-wire receptacle of NEMA Type 10-50R.



3-wire receptacle (10-50R)

### Electrical Requirements - Canada Only

**⚠ WARNING**

**Electrical Shock Hazard**

**Electrically ground range.**

**Failure to do so can result in death, fire, or electrical shock.**

If codes permit and a separate ground wire is used, it is recommended that a qualified electrical installer determine that the ground path is adequate and wire gauge are in accordance with local codes.

Be sure that the electrical connection and wire size are adequate and in conformance with CSA Standard C22.1, Canadian Electrical Code, Part 1 - latest edition, and all local codes and ordinances.

A copy of the above code standards can be obtained from:

Canadian Standards Association  
178 Rexdale Blvd.  
Toronto, ON M9W 1R3 CANADA

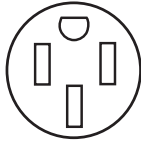
- Check with a qualified electrical installer if you are not sure the range is properly grounded.

Range Rating*		Specified Rating of Power Supply Cord Kit and Circuit Protection
120/240 Volts	120/208 Volts	Amps
8.8 - 16.5 KW	7.8 - 12.5 KW	40 or 50
16.6 - 22.5 KW	12.6 - 18.5 KW	50

\*The NEC calculated load is less than the total connected load listed on the model/serial rating plate.

- A time-delay fuse or circuit breaker is recommended.

- This range is equipped with a CSA International Certified Power Cord intended to be plugged into a standard 14-50R wall receptacle. Be sure the wall receptacle is within reach of range's final location.



- Do not use an extension cord.

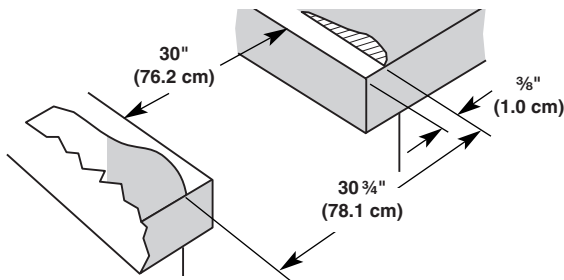
## Countertop Preparation (for Slide-in Ranges Only)

The cooktop sides of the slide-in range fit over the cutout edge of your countertop.

If you have a square finish (flat) countertop and the opening width is 30" (76.2 cm), no countertop preparation is required.

Formed front-edged countertops must have molded edge shaved flat  $\frac{3}{8}$ " (1.0 cm) from each front corner of opening.

Tile countertops may need trim cut back  $\frac{3}{8}$ " (1.0 cm) from each front corner and/or rounded edge flattened.



If countertop opening width is greater than 30" (76.2 cm), adjust the  $\frac{3}{8}$ " (1.0 cm) dimension.

Countertop must be level. Place level on countertop, first side to side, then front to back. If countertop is not level, range will not be level. Range must be level for satisfactory baking conditions.

# INSTALLATION INSTRUCTIONS

## Unpack Range

### **! WARNING**

#### Excessive Weight Hazard

**Use two or more people to move and install range.**

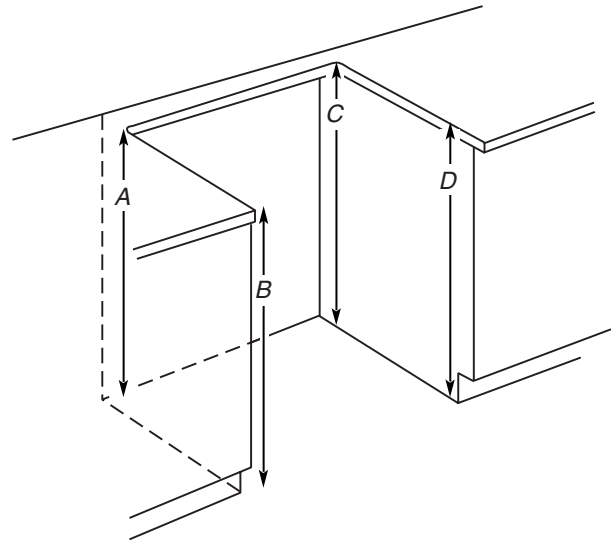
**Failure to do so can result in back or other injury.**

1. Remove shipping materials, tape and film from the range. Keep cardboard bottom under range. Remove oven racks and parts package from inside oven.
2. To place range on its back, take 4 cardboard corners from the carton. Stack one cardboard corner on top of another. Repeat with the other 2 corners. Place them lengthwise on the floor behind the range to support the range when it is laid on its back. Using 2 or more people, firmly grasp the range and gently lay it on its back on the cardboard corners.

## Measure for Proper Height

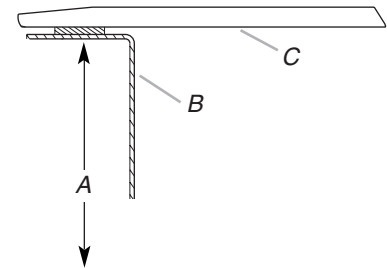
### Slide-In Ranges:

1. Measure the distance of the countertop to the floor. Measure at all 4 locations corresponding to the 4 corners of the underside of the range cooktop, as shown.



Measure at locations marked A, B, C, D.

2. Measure from the floor to the underside of the range cooktop.

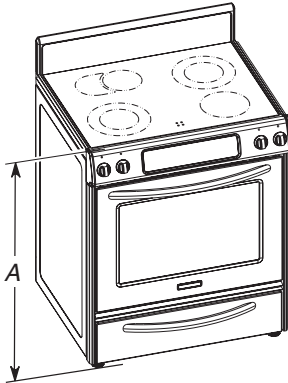


A. Distance from floor to underside of range cooktop  
B. Range side frame  
C. Cooktop

3. Your leveling height will be the difference between the 2 measurements you have just taken.

## Freestanding Ranges:

1. Measure the distance of the countertop to the floor.
2. Then measure from the top of the range cooktop trim to the floor.



A. Distance from the top of the range cooktop trim to the floor

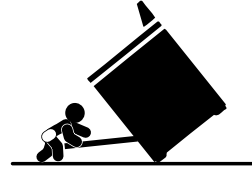
3. Your leveling height will be the difference between the 2 measurements you have just taken.

## Adjust Leveling Legs

1. If range height adjustment is necessary, use a wrench or pliers to loosen the 4 leveling legs.  
This may be done with the range on its back or with the range supported on 2 legs after the range has been placed back to a standing position.  
**NOTE:** To place range back up into a standing position, put a sheet of cardboard or hardboard in front of range. Using 2 or more people, stand range back up onto the cardboard or hardboard.
2. Adjust the leveling legs to the correct height. Leveling legs can be loosened to add up to a maximum of 1" (2.5 cm). A minimum of  $\frac{3}{16}$ " (5 mm) is needed to engage the anti-tip bracket.  
**NOTE:** If height adjustment is made when range is standing, tilt the range back to adjust the front legs, then tilt forward to adjust the rear legs.
3. When the range is at the correct height, check that there is adequate clearance under the range for the anti-tip bracket. Before sliding range into its final location, check that the anti-tip bracket will slide under the range and onto the rear leveling leg prior to anti-tip bracket installation.

## Install Anti-Tip Bracket

### ⚠ WARNING



#### Tip Over Hazard

**A child or adult can tip the range and be killed.**

**Connect anti-tip bracket to rear range foot.**

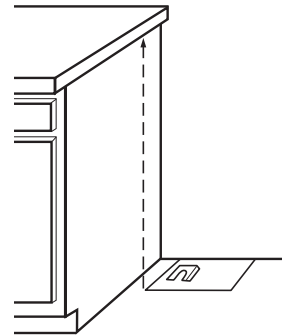
**Reconnect the anti-tip bracket, if the range is moved.**

**Failure to follow these instructions can result in death or serious burns to children and adults.**

Contact a qualified floor covering installer for the best procedure for drilling mounting holes through your type of floor covering.

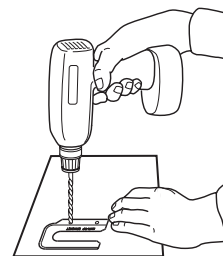
Before moving range, slide range onto shipping base, cardboard or hardboard.

1. Remove template from the anti-tip bracket kit (found inside the oven cavity) or from the back page of this manual.
2. Place template on the floor in cabinet opening so that the left edge is against cabinet and top edge is against rear wall, molding or cabinet.
3. Tape template in place.
4. If countertop is not flush with cabinet opening edge, align template with overhang.



If cabinet opening is wider than specified in the "Location Requirements" section, adjust template so range will be centered in cabinet opening.

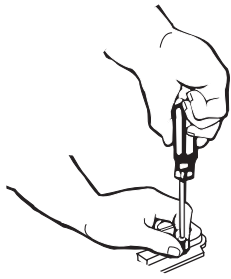
5. To mount anti-tip bracket to wood floor, drill two  $\frac{1}{8}$ " (3.2 mm) holes at the positions marked on the bracket template. Remove template from floor.



To mount anti-tip bracket to concrete or ceramic floor, use a  $\frac{3}{16}$ " (4.8 mm) masonry drill bit to drill 2 holes at the positions marked on the bracket template. Remove template from floor. Tap plastic anchors into holes with a hammer.

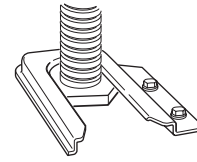


- Align anti-tip bracket holes with holes in floor. Fasten anti-tip bracket with screws provided.



Depending on the thickness of your flooring, longer screws may be necessary to anchor the bracket to the subfloor. Longer screws are available from your local hardware store.

- Move range close enough to opening to allow for electrical connections to be made. Remove cardboard or hardboard from under range.
- Make electrical connections as described in the “Electrical Connection” section.
- Move range into its final location, making sure rear leveling leg slides into anti-tip bracket.



- Continue installing your range using the following installation instructions.

## Electrical Connection - U.S.A. Only

### Power Supply Cord

#### ⚠ WARNING



#### Electrical Shock Hazard

**Disconnect power before servicing.**  
**Use a new 40 amp power supply cord.**  
**Plug into a grounded outlet.**  
**Failure to follow these instructions can result in death, fire, or electrical shock.**

### Direct Wire

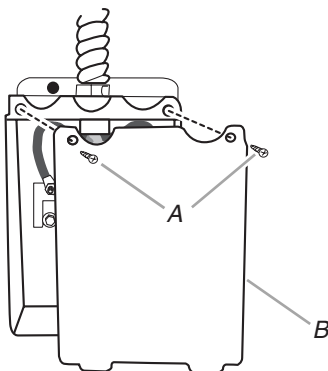
#### ⚠ WARNING



#### Electrical Shock Hazard

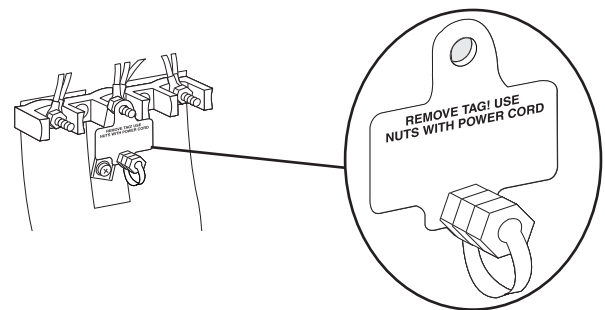
**Disconnect power before servicing.**  
**Use 8 gauge copper or 6 gauge aluminum wire.**  
**Electrically ground range.**  
**Failure to follow these instructions can result in death, fire, or electrical shock.**

- Disconnect power.
- Remove the terminal block cover screws located on the back of the range. Pull cover down and toward you to remove cover.



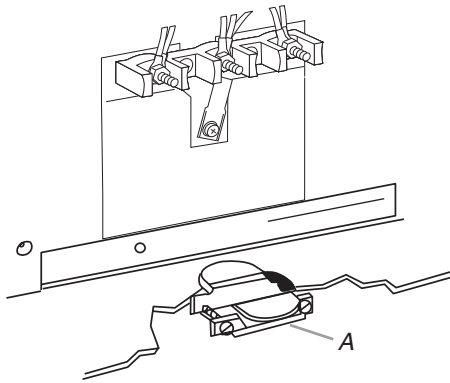
A. Hold-down screws  
 B. Terminal block cover

- Remove plastic tag holding three 10-32 hex nuts from the middle post of the terminal block.



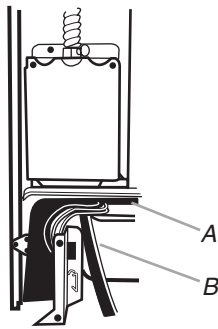
- Add strain relief.
  - Style 1: Power supply cord strain relief**
    - Remove the knockout at the bottom of the terminal box for the 40-amp supply cord.

- Assemble a UL listed strain relief in the opening.



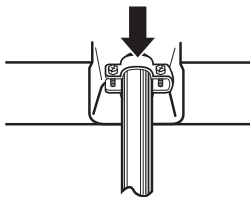
A. UL listed strain relief

- Feed the power supply cord behind the black horizontal cross brace and through the strain relief, allowing enough slack to easily attach the wiring to the terminal block.



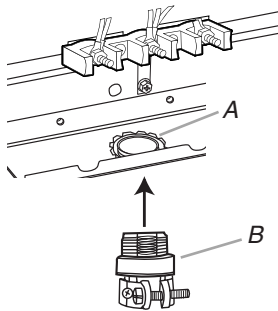
A. Black horizontal cross brace  
B. Power supply cord

- Tighten strain relief screw against the power supply cord.



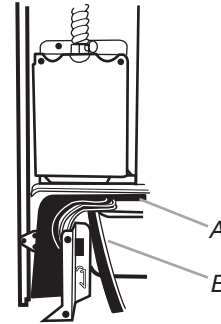
### Style 2: Direct wire strain relief

- Remove the knockout as needed for the flexible conduit connection.
- Assemble a UL listed conduit connector in the opening.



A. Removable retaining nut  
B. UL listed strain relief

- Feed the flexible conduit behind the black horizontal cross brace and through the strain relief, allowing enough slack to easily attach the wiring to the terminal block.



A. Black horizontal cross brace  
B. Flexible conduit

- Tighten strain relief screw against the flexible conduit.

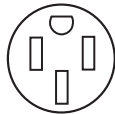
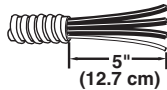
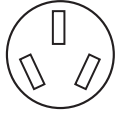
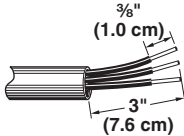


- Complete installation following instructions for your type of electrical connection:

**4-wire** (recommended)

**3-wire** (if 4-wire is not available)

### Electrical Connection Options

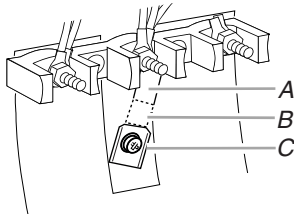
If your home has:	And you will be connecting to:	Go to Section:
4-wire receptacle (NEMA type 14-50R) 	A UL listed, 250-volt minimum, 40-amp, range power supply cord	4-wire connection: Power supply cord
4-wire direct 	A fused disconnect or circuit breaker box	4-wire connection: Direct wire
3-wire receptacle (NEMA type 10-50R) 	A UL listed, 250-volt minimum, 40-amp, range power supply cord	3-wire connection: Power supply cord
3-wire direct 	A fused disconnect or circuit breaker box	3-wire connection: Direct wire

## 4-wire connection: Power Supply Cord

Use this method for:

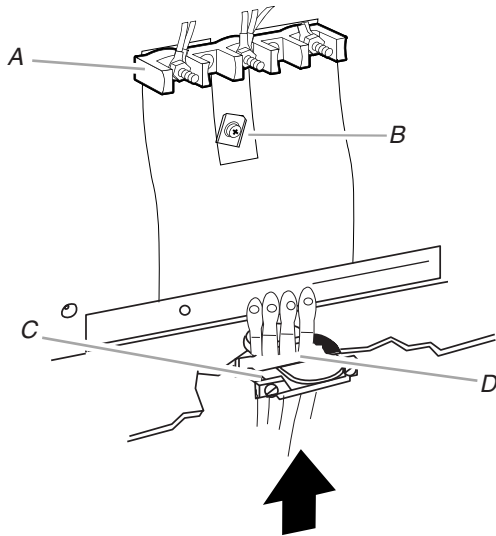
- New branch-circuit installations (1996 NEC)
- Mobile homes
- Recreational vehicles
- In an area where local codes prohibit grounding through the neutral.

1. Cut out and remove part of the metal ground strap (B).



A. Metal ground strap  
B. Discard  
C. Ground-link screw

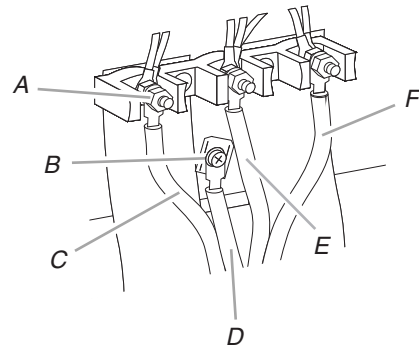
2. Use a Phillips screwdriver to remove the ground-link screw from the back of the range. Save the ground-link screw and the end of the ground link under the screw.
3. Feed the power supply cord through the strain relief on the cord/conduit plate on bottom of range. Allow enough slack to easily attach the wiring to the terminal block.



A. Terminal block  
B. Ground-link screw  
C. UL listed strain relief  
D. Power supply cord wires

4. Use a Phillips screwdriver to connect the green ground wire from the power supply cord to the range with the ground-link screw and ground-link section. The ground wire must be attached first.

5. Use  $\frac{3}{8}$ " nut driver to connect the neutral (white) wire to the center terminal block post with one of the 10–32 hex nuts.



A. 10–32 hex nut  
B. Ground-link screw  
C. Line 2 (red)  
D. Green ground wire  
E. Neutral (center) wire  
F. Line 1 (black)

6. Connect line 2 (red) and line 1 (black) wires to the outer terminal block posts with 10–32 hex nuts.
7. Securely tighten hex nuts.

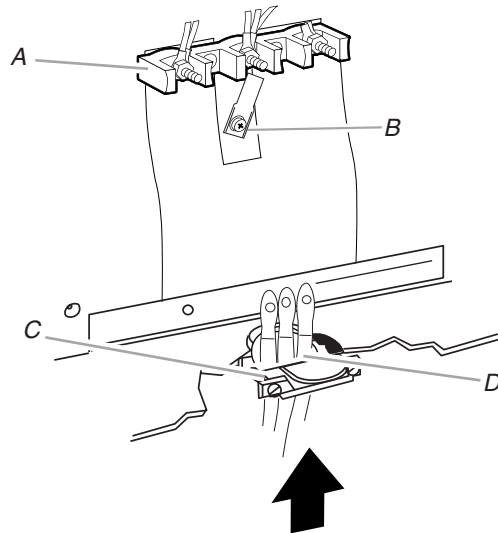
**NOTE:** For power supply cord replacement, use only a power cord rated at 250 volts minimum, 40 amps or 50 amps that is marked for use with nominal  $1\frac{1}{8}$ " (3.5 cm) diameter connection opening, with ring terminals and marked for use with ranges.

8. Tighten strain relief screws.
9. Replace terminal block access cover.

## 3-wire connection: Power Supply Cord

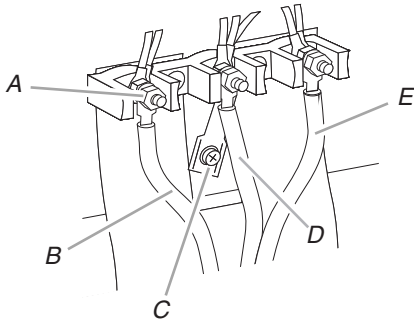
Use this method only if local codes permit connecting chassis ground conductor to neutral wire of power supply cord.

1. Feed the power supply cord through the strain relief on the cord/conduit plate on bottom of range. Allow enough slack to easily attach the wiring to the terminal block.



A. Terminal block  
B. Ground-link screw  
C. UL listed strain relief  
D. Power supply cord wires - large opening

- Use  $\frac{3}{8}$ " nut driver to connect the neutral (white) wire to the center terminal block post with one of the 10-32 hex nuts.



A. 10-32 hex nut  
 B. Line 2 (red)  
 C. Ground-link screw  
 D. Neutral (white) wire  
 E. Line 1 (black)

- Connect line 2 (red) and line 1 (black) wires to the outer terminal block posts with 10-32 hex nuts.

- Securely tighten hex nuts.

**NOTE:** For power supply cord replacement, use only a power cord rated at 250 volts minimum, 40 amps or 50 amps that is marked for use with nominal  $1\frac{3}{8}$ " (3.5 cm) diameter connection opening, with ring terminals and marked for use with ranges.

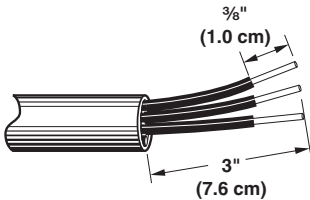
- Tighten strain relief screws.

- Replace terminal block access cover.

### Direct Wire Installation: Copper or Aluminum Wire

This range may be connected directly to the fuse disconnect or circuit breaker box. Depending on your electrical supply, make the required 3-wire or 4-wire connection.

- Strip outer covering back 3" (7.6 cm) to expose wires. Strip the insulation back  $\frac{3}{8}$ " (1.0 cm) from the end of each wire.



- Allow enough slack in the wire to easily attach the wiring terminal block.

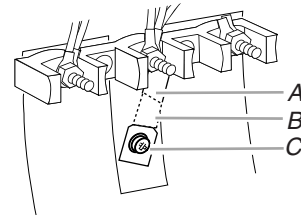
- Complete electrical connection according to your type of electrical supply (4-wire or 3-wire connection).

### 4-wire Connection: Direct Wire

Use this method for:

- New branch-circuit installations (1996 NEC)
- Mobile homes
- Recreational vehicles
- In an area where local codes prohibit grounding through the neutral

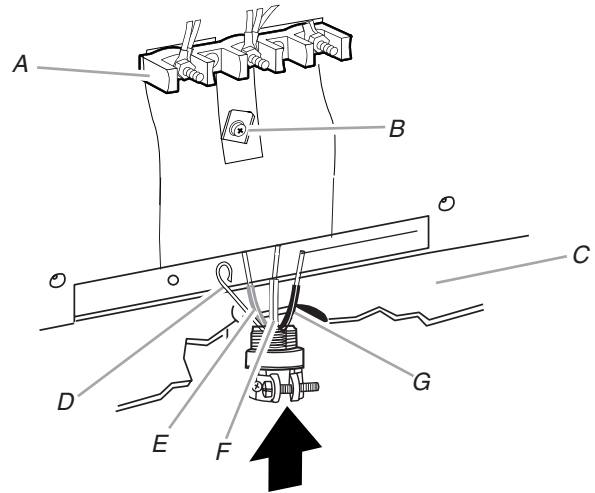
- Cut out and remove part of the metal ground strap (B).



A. Metal ground strap  
 B. Discard  
 C. Ground-link screw

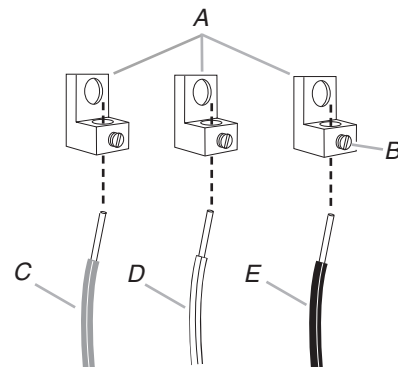
- Use a Phillips screwdriver to remove the ground-link screw from the back of the range. Save the ground-link screw and the end of the ground link under the screw.

- Pull the wires through the strain relief on bottom of range. Allow enough slack to easily attach wiring to the terminal block.



A. Terminal block  
 B. Ground-link screw  
 C. Cord/conduit plate  
 D. Bare (green) ground wire  
 E. Line 2 (red) wire  
 F. Neutral (white) wire  
 G. Line 1 (black) wire

- Attach terminal lugs to line 1 (black), neutral (white), and line 2 (red) wires. Loosen (do not remove) the setscrew on the front of the terminal lug and insert exposed wire end through bottom of terminal lugs. Securely tighten setscrew to torque as shown in the following Bare Wire Torque Specifications chart.



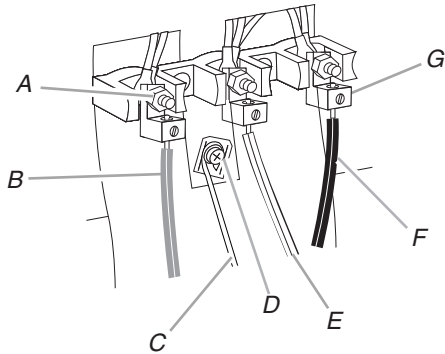
A. Terminal lug  
 B. Setscrew  
 C. Line 2 (red) wire  
 D. Neutral (white) wire  
 E. Line 1 (black) wire

## Bare Wire Torque Specifications

Attaching terminal lugs to the terminal block - 20 lbs-in. (2.3 N-m)

Wire Awg	Torque
8 gauge copper	25 lbs-in. (2.8 N-m)
6 gauge aluminum	35 lbs-in. (4.0 N-m)

- Use a hex or Phillips screwdriver to connect the bare (green) ground wire to the range with the ground-link screw and ground-link section. The ground wire must be attached first and must not contact any other terminal.
- Use  $\frac{3}{8}$ " nut driver to connect the neutral (white) wire to the center terminal block post with one of the 10-32 hex nuts.



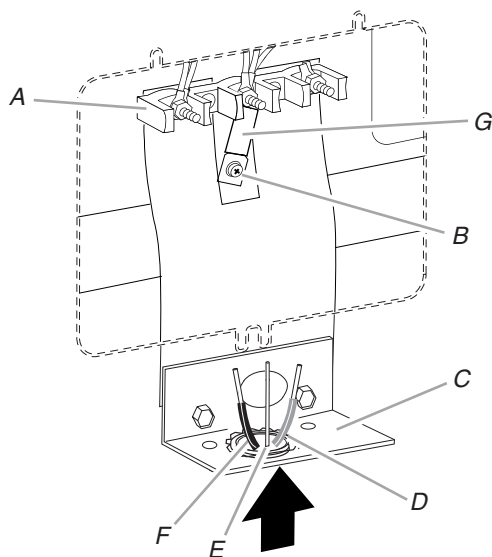
- A. 10-32 hex nut  
 B. Line 2 (red)  
 C. Bare (green) ground wire  
 D. Ground-link screw  
 E. Neutral (white) wire  
 F. Line 1 (black)  
 G. Terminal lug

- Connect line 2 (red) and line 1 (black) wires to the outer terminal block posts with 10-32 hex nuts.
- Securely tighten hex nuts.
- Replace terminal block access cover.

### 3-wire connection: Direct Wire

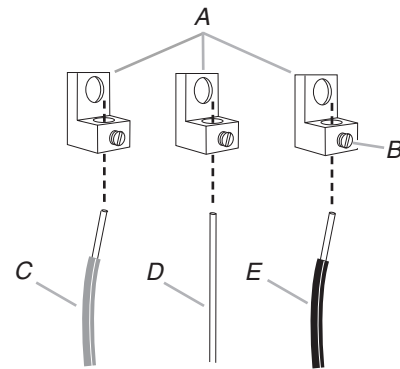
Use this method only if local codes permit connecting ground conductor to neutral supply wire.

- Pull the wires through the conduit on cord/conduit plate on bottom of range. Allow enough slack to easily attach the wiring to the terminal block.



- A. Terminal block  
 B. Ground-link screw  
 C. Cord/conduit plate  
 D. Line 2 (red) wire  
 E. Bare (green) ground wire  
 F. Line 1 (black) wire  
 G. Metal ground strap

- Attach terminal lugs to line 2 (red), bare (green) ground, and line 1 (black) wires. Loosen (do not remove) the setscrew on the front of the terminal lug and insert exposed wire end through bottom of terminal lugs. Securely tighten setscrew to torque as shown in the following Bare Wire Torque Specifications chart.



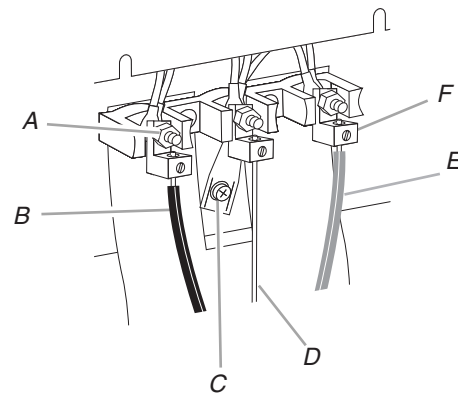
- A. Terminal lug  
 B. Setscrew  
 C. Line 2 (red) wire  
 D. Bare (green) ground wire  
 E. Line 1 (black) wire

## Bare Wire Torque Specifications

Attaching terminal lugs to the terminal block - 20 lbs-in. (2.3 N-m)

Wire Awg	Torque
8 gauge copper	25 lbs-in. (2.8 N-m)
6 gauge aluminum	35 lbs-in. (4.0 N-m)

- Use  $\frac{3}{8}$ " nut driver to connect the bare (green) ground wire to the center terminal block post with one of the 10-32 hex nuts.



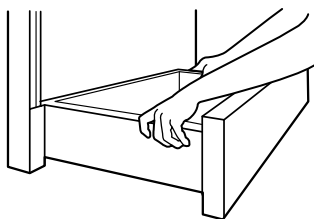
- A. 10-32 hex nut  
 B. Line 2 (red)  
 C. Ground-link screw  
 D. Bare (green) ground wire  
 E. Line 1 (black)  
 F. Terminal lug

- Connect line 2 (red) and line 1 (black) wires to the outer terminal block posts with 10-32 hex nuts.
- Securely tighten hex nuts.
- Replace terminal block access cover.

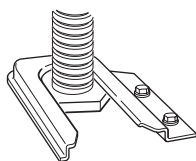
## Verify Anti-Tip Bracket Location

### IMPORTANT:

- On models with a warming drawer, the rear range foot must be viewed from the front and slightly to one side of the range.
  - On models with a storage drawer, the drawer may be removed to better view the rear range foot.
1. To remove storage drawer:
    - Pull drawer straight out to the first stop.
    - Lift up the back of the drawer and pull out.

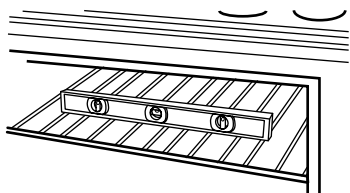


2. To check that the anti-tip bracket is installed, use a flashlight and look underneath the bottom of the range.
  - Look for the anti-tip bracket securely attached to floor.
  - Slide range back so rear range foot is under anti-tip bracket.



## Level Range

1. Place rack in oven.
2. Place level on rack and check levelness of the range, first side to side; then front to back.



3. If range is not level, pull range forward until rear leveling leg is removed from the anti-tip bracket.

Use pliers or wrench to adjust leveling legs up or down until range is level. Push range back into position. Check that rear leveling leg is engaged in anti-tip bracket.

**NOTE:** Range must be level for satisfactory baking performance.

4. Replace the storage drawer:
  - Fit the ends of the drawer rails into the guides in the cavity.
  - Slide the drawer closed.

## Complete Installation

1. Check that all parts are now installed. If there is an extra part, go back through the steps to see which step was skipped.
2. Check that you have all of your tools.
3. Dispose of/recycle all packaging materials.
4. Check that the range is level. See the “Level Range” section.
5. Use a mild solution of liquid household cleaner and warm water to remove waxy residue caused by shipping material. Dry thoroughly with a soft cloth. For more information, read the “Range Care” section of the Use and Care Guide.
6. Read the “Range Use” section in the range Use and Care Guide.
7. Plug in range or reconnect power.
8. Turn on surface burners and oven. See the Use and Care Guide for specific instruction on range operation.

### If range does not operate, check the following:

- Household fuse is intact and tight; or circuit breaker has not tripped.
- Range is plugged into an outlet.
- Electrical supply is connected.
- See the “Troubleshooting” section in the Use and Care Guide.

When the range has been on for 5 minutes, check for heat. If range is cold, turn off the range and contact a qualified technician.

## Moving the Range

### ⚠ WARNING



#### Tip Over Hazard

**A child or adult can tip the range and be killed.**

**Connect anti-tip bracket to rear range foot.**

**Reconnect the anti-tip bracket, if the range is moved.**

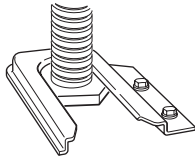
**Failure to follow these instructions can result in death or serious burns to children and adults.**

When moving range, slide range onto cardboard or hardboard to avoid damaging the floor covering.

If removing the range is necessary for cleaning or maintenance:


**For power supply cord-connected ranges:**

1. Using two or more people, slide range onto cardboard or hardboard to perform cleaning or maintenance.
2. Unplug the power supply cord.
3. Perform cleaning or maintenance.
4. Plug in range.
5. Check that anti-tip bracket is installed:
  - Look for the anti-tip bracket securely attached to floor.
  - Slide range back so rear range foot is under anti-tip bracket.

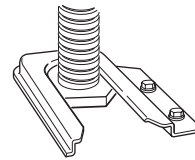


6. Check that range is level.

**For direct-wired ranges:**

<b>! WARNING</b>

<b>Electrical Shock Hazard</b>
<b>Disconnect power before servicing.</b>
<b>Replace all parts and panels before operating.</b>
<b>Failure to do so can result in death or electrical shock.</b>

1. Disconnect power.
2. Using two or more people, slide range onto cardboard or hardboard to perform cleaning or maintenance.
3. Disconnect wiring (if necessary).
4. Perform cleaning or maintenance.
5. Reconnect wiring (if necessary). See "Electrical Connection - U.S.A. Only" section.
6. Check that anti-tip bracket is installed:
  - Look for the anti-tip bracket securely attached to floor.
  - Slide range back so rear range foot is under anti-tip bracket.



7. Check that range is level and reconnect power.

# SÉCURITÉ DE LA CUISINIÈRE

## Votre sécurité et celle des autres est très importante.

Nous donnons de nombreux messages de sécurité importants dans ce manuel et sur votre appareil ménager. Assurez-vous de toujours lire tous les messages de sécurité et de vous y conformer.



Voici le symbole d'alerte de sécurité.

Ce symbole d'alerte de sécurité vous signale les dangers potentiels de décès et de blessures graves à vous et à d'autres.

Tous les messages de sécurité suivront le symbole d'alerte de sécurité et le mot "DANGER" ou "AVERTISSEMENT". Ces mots signifient :

**⚠ DANGER**

**Risque possible de décès ou de blessure grave si vous ne suivez pas immédiatement les instructions.**

**⚠ AVERTISSEMENT**

**Risque possible de décès ou de blessure grave si vous ne suivez pas les instructions.**

Tous les messages de sécurité vous diront quel est le danger potentiel et vous disent comment réduire le risque de blessure et ce qui peut se produire en cas de non-respect des instructions.

## ⚠ AVERTISSEMENT

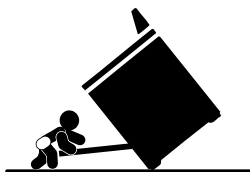
### Risque de basculement

**Un enfant ou une personne adulte peut faire basculer la cuisinière ce qui peut causer un décès.**

**Joindre la bride antibasculement au pied arrière de la cuisinière.**

**Joindre de nouveau la bride antibasculement si la cuisinière est déplacée.**

**Le non-respect de ces instructions peut causer un décès ou des brûlures graves aux enfants et aux adultes.**



# EXIGENCES D'INSTALLATION

## Outillage et pièces

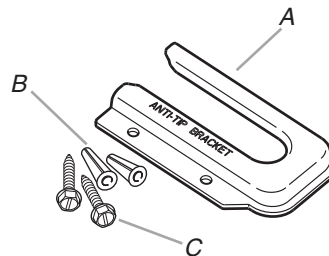
Rassembler les outils et pièces nécessaires avant de commencer l'installation. Lire et suivre les instructions fournies avec les outils indiqués ici.

### Outillage nécessaire

- Mètre ruban
- Tournevis à lame plate
- Niveau
- Marteau
- Perceuse manuelle ou électrique
- Clé ou pince
- Marqueur ou crayon
- Ruban adhésif de masquage
- Tourne-écrou de 1/4"
- Tourne-écrou de 5/16"
- Foret de 1/8" (3,2 mm) (pour planchers en bois)
- Foret à maçonnerie à pointe carburée de 3/16" (4,8 mm) [pour planchers en béton/céramique]

### Pièces fournies

Vérifier que toutes les pièces sont présentes.



A. Bride antibasculement  
B. Chevilles de plastique (2)  
C. Vis n°10 x 1/2" (2)

- La bride antibasculement doit être bien fixée au sous-plancher. L'épaisseur du plancher peut nécessiter des vis plus longues pour l'ancrage de la bride dans le sous-plancher. Des vis plus longues sont disponibles auprès de votre quincaillerie locale.



## Pièces nécessaires

### Lors de l'utilisation d'un cordon d'alimentation électrique :

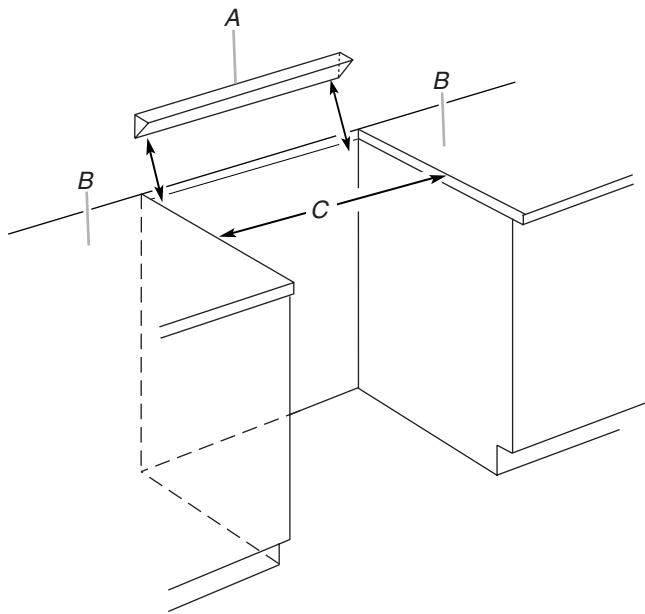
- Utiliser un cordon d'alimentation électrique homologué UL pour utilisation avec les cuisinières. Utiliser un cordon 250 volts (minimum), 40 ou 50 A, avec marquage pour utilisation avec une ouverture de raccordement nominal de 1 $\frac{3}{8}$ " (3,5 cm), et terminaison des conducteurs par cosses circulaires ou cosses en fourche avec extrémités relevées.
- Utiliser également un serre-câble avec homologation UL.

Consulter les codes locaux. Vérifier l'alimentation électrique existante. Voir la section "Spécifications électriques".

Il est recommandé que toutes les connexions électriques soient effectuées par un électricien qualifié et certifié.

### Planchette de remplissage arrière (facultative)

La planchette de remplissage arrière peut être utilisée pour combler l'espace entre l'arrière de la cuisinière encastrée et le mur dans l'ouverture prévue pour une cuisinière autonome.



A. Planchette de remplissage

B. Plan de travail

C. Ouverture découpée dans le plan de travail

Pour commander, voir la section "Assistance ou service" du Guide d'utilisation et d'entretien.

Noir - W10113902A

Blanc - W10113903A

Biscuit - W10113904A

## Exigences d'emplacement

**IMPORTANT :** Observer les dispositions de tous les codes et règlements en vigueur.

- C'est à l'installateur qu'incombe la responsabilité de respecter les distances de séparation exigées, spécifiées sur la plaque signalétique de l'appareil. La plaque signalétique est située à l'intérieur de la porte du four, sur le côté droit de la garniture de la porte.
- La cuisinière doit être installée à un endroit pratique dans la cuisine.
- Afin de supprimer le risque de brûlures ou d'incendie en se penchant au-dessus des unités de surface chauffées, le rangement en placard au-dessus des unités de surface doit être évité. Si le rangement en placard est envisagé, le risque peut être réduit par l'installation d'une hotte de cuisine ou d'un ensemble hotte/micro-ondes opérant horizontalement sur un minimum de 5" (12,7 cm) au-delà du bas des placards.
- Respecter les dimensions indiquées pour les ouvertures à découper dans les placards; ces dimensions constituent les valeurs minimales des dégagements de séparation.
- La bride antibasculement de plancher doit être installée. Pour l'installation de la bride antibasculement expédiée avec la cuisinière, voir la section "Installation de la bride antibasculement".
- Une source d'électricité avec liaison à la terre est nécessaire. Voir la section "Spécifications électriques".

**IMPORTANT :** Pour éviter d'endommager les placards, consulter le constructeur ou le fabricant du placard pour déterminer si les matériaux utilisés ne subiront pas un changement de couleur, une déstratification ou d'autres dommages. Ce four a été conçu conformément aux exigences UL et aux normes de la CSA International; il respecte la température maximale autorisée pour les placards en bois : 194°F (90°C).

### Résidence mobile - Spécifications additionnelles à respecter lors de l'installation

L'installation de cette cuisinière doit être conforme aux dispositions de la norme Manufactured Home Construction and Safety Standard, Title 24 CFR, Part 3280 (anciennement Federal Standard for Mobile Home Construction and Safety, Title 24, HUD Part 280). Lorsque cette norme n'est pas applicable, l'installation doit satisfaire aux critères de la norme Standard for Manufactured Home Installations, ANSI A225.1/NFPA 501A ou respecter les dispositions des codes locaux.

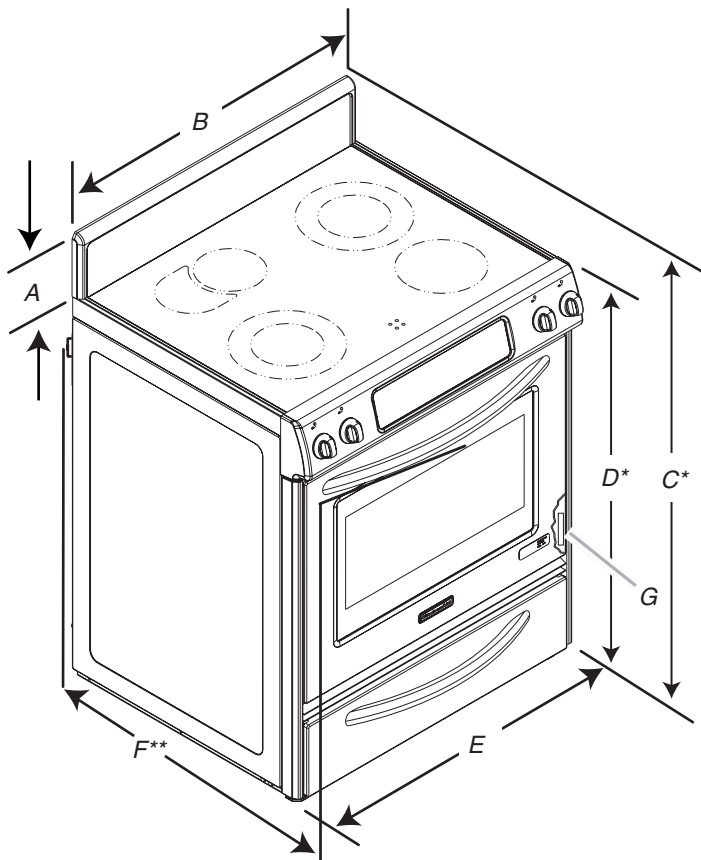
Au Canada, l'installation de cette cuisinière doit satisfaire aux stipulations de la version la plus récente de la norme CAN/CSA-A240 ou des codes locaux en vigueur.

### Critères à respecter pour une installation en résidence mobile :

- Dans le cas de l'installation de cette cuisinière dans une résidence mobile, la cuisinière doit être fixée au plancher durant tout déplacement du véhicule. Toute méthode de fixation de la cuisinière est adéquate dans la mesure où elle satisfait aux critères des normes mentionnées ci-dessus.
- Pour une installation en résidence mobile, un câble ou cordon d'alimentation à quatre fils doit être utilisé. Le câblage de l'appareil devra être revu. Voir la section "Raccordement électrique".

## Dimensions du produit

### Cuisinière autoportante



A. 5 $\frac{3}{4}$ " (14,6 cm)

B. 30" (76,2 cm)

C. 41 $\frac{3}{4}$ " (106,0 cm) : Hauteur totale avec les pieds de nivellement complètement abaissés\*

D. 36" (91,4 cm) : Hauteur de la garniture de la table de cuisson avec les pieds de nivellement complètement abaissés\*

E. 30" (76,2 cm)

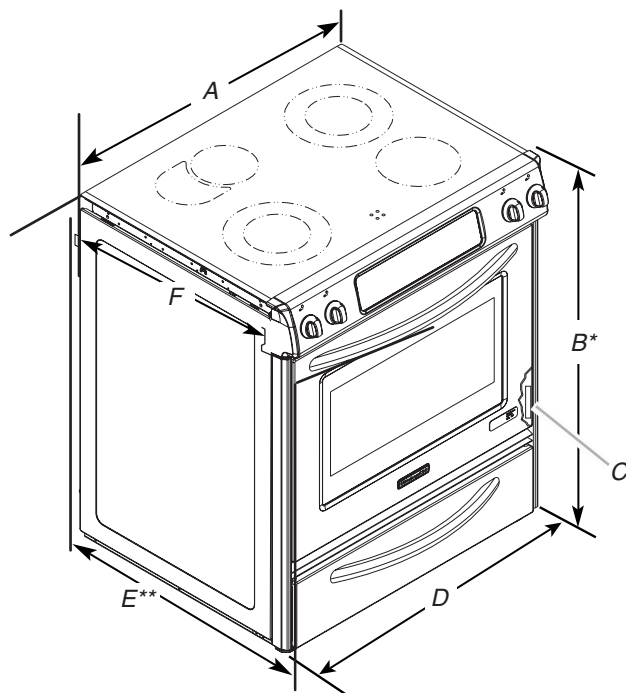
F. 27 $\frac{1}{4}$ " (69,2 cm) : Longueur maximale de la poignée au support à l'arrière de la cuisinière\*\*

G. Plaque signalétique (située sur la garniture de porte du four, côté droit)

\*La cuisinière peut être surélevée d'environ 1" (2,5 cm) en ajustant les pieds de nivellement.

\*\*Dans le cas d'une installation entre des placards de 24" (61 cm) avec plan de travail de 25" (63,5 cm), l'avant de la porte du four sera en saillie de 1" (2,5 cm) au-delà de la base des placards de 24" (61,0 cm).

### Cuisinière coulissante



A. 30 $\frac{11}{16}$ " (77,6 cm)

B. 35 $\frac{5}{8}$ " (90,5 cm) : Hauteur jusqu'à la partie inférieure du rebord de la table de cuisson avec les pieds de nivellement complètement abaissés\*

C. Plaque signalétique (située sur la garniture de porte du four, côté droit)

D. 30" (76,2 cm)

E. 27 $\frac{1}{4}$ " (69,2 cm) (27 $\frac{11}{16}$ " [70.3 cm] sur les modèles KERS807XSP et KESS907XSP) : Longueur de la poignée au support à l'arrière de la cuisinière\*\*

F. 23" (58,4 cm) : Longueur de l'encoche du plan de travail à l'arrière de la table de cuisson

\*La cuisinière peut être surélevée d'environ 1" (2,5 cm) en ajustant les pieds de nivellement.

\*\*Dans le cas d'une installation entre des placards de 24" (61,0 cm) avec plan de travail de 25" (63,5 cm), l'avant de la porte du four sera en saillie de 1 $\frac{3}{4}$ " (4,4 cm) (2 $\frac{3}{16}$ " [5,5 cm] sur les modèles KERS807XSP et KESS907XSP) au-delà des placards de 24" (61 cm).

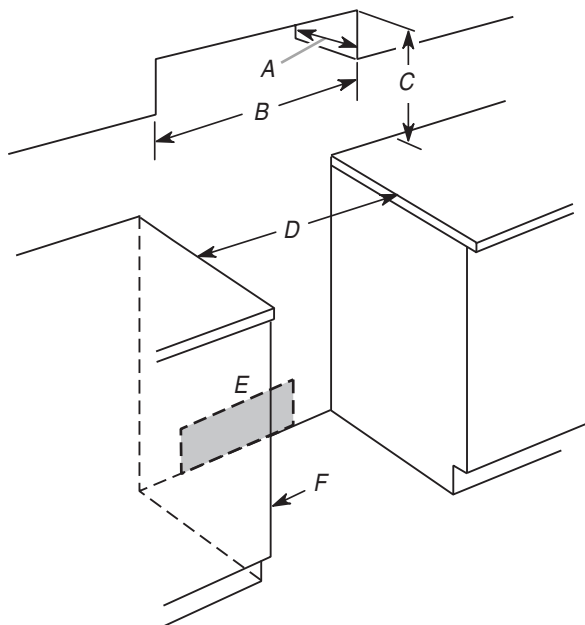
## Dimensions du placard

Les dimensions de l'espace d'ouverture entre les placards correspondent à un plan de travail de 25" (64 cm) de profondeur, de 36" (91,4 cm) de hauteur et des placards de 24" (61 cm) de profondeur.

**IMPORTANT :** En cas d'installation d'une hotte ou d'un ensemble hotte/micro-ondes au-dessus de la cuisinière, suivre les instructions fournies avec la hotte ou l'ensemble hotte/micro-ondes concernant les dimensions de dégagement à respecter au-dessus de la surface de la table de cuisson.

### Cuisinière autoportante

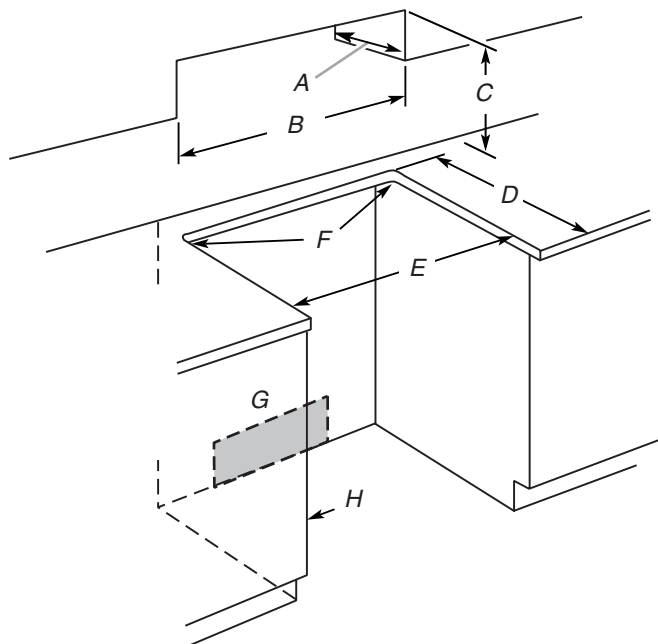
Une cuisinière autoportante peut être installée près de cloisons combustibles sans dégagement de séparation.



- A. Profondeur des placards supérieurs : 13" (33 cm)
- B. Largeur min. de l'ouverture : 30" (76,2 cm)
- C. Pour le dégagement minimal vers la partie supérieure de la table de cuisson, voir la REMARQUE\*.
- D. Largeur min. de l'ouverture : 30" (76,2 cm)

- E. Boîtier de connexion - 8" (20,3 cm) à 22" (55,9 cm) depuis l'un des deux placards, 7" (17,8 cm) max. à partir du plancher
- F. La porte ou charnière du placard ne doit pas dépasser à l'intérieur de l'ouverture.

### Cuisinière coulissante



- A. Profondeur des placards supérieurs : 13" (33 cm)
- B. Largeur min. de l'ouverture : 30" (76,2 cm)
- C. Pour le dégagement minimal vers la partie supérieure de la table de cuisson, voir la REMARQUE\*.
- D. Profondeur d'ouverture : 22 $\frac{3}{4}$ " (57,8 cm)
- E. Largeur min. de l'ouverture : 30" (76,2 cm)

- F. Coupe d'équerre ou rayon de  $\frac{1}{4}$ " (6,2 cm) à chaque angle
- G. Boîtier de connexion - 8" (20,3 cm) à 22" (55,9 cm) depuis l'un des deux placards, 7" (17,8 cm) max. à partir du plancher
- H. La porte ou charnière du placard ne doit pas dépasser à l'intérieur de l'ouverture.

**REMARQUE :** Distance de séparation de 24" (61,0 cm) ou plus lorsque le fond d'un placard de bois ou de métal est protégé par une planche ignifugée d'au moins  $\frac{1}{4}$ " (0,64 cm) recouverte d'une feuille métallique d'épaisseur égale ou supérieure à : acier calibre 28 MSG, acier inoxydable (0,015" [0,4 mm]), aluminium (0,024" [0,6 mm]), ou cuivre (0,020" [0,5 mm]).

Distance de séparation de 30" (76,2 cm) ou plus entre le dessus de la table de cuisson et le fond d'un placard de bois ou de métal non protégé.

## Spécifications électriques

### **⚠ AVERTISSEMENT**



#### Risque de choc électrique

**Relier la cuisinière à la terre.**

**Le non-respect de cette instruction peut causer un décès, un incendie ou un choc électrique.**

Si les codes en vigueur le permettent et qu'un conducteur distinct de liaison à la terre est utilisé, on recommande qu'un électricien qualifié vérifie que la liaison à la terre et la taille du conducteur de liaison à la terre sont adéquates et conformes aux prescriptions des codes locaux.

Vérifier que le raccordement à la source d'électricité et le calibre des conducteurs sont conformes aux prescriptions de la plus récente édition des normes CSA C22.1, partie 1 - Code canadien de l'électricité, et de tout code ou règlement local en vigueur.

On peut obtenir un exemplaire des normes ci-dessus auprès de :

Canadian Standards Association  
178 Rexdale Blvd.  
Toronto, ON M9W 1R3 CANADA

- En cas de doute quant à la qualité de la liaison à la terre de la cuisinière, consulter un électricien qualifié.

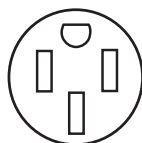
#### Spécifications électriques pour la cuisinière\*

#### Intensité nominale spécifiée du cordon d'alimentation et de la protection du circuit

120/240 volts	120/208 volts	Ampères
8,8 - 16,5 KW	7,8 - 12,5 KW	40 ou 50
16,6 - 22,5 KW	12,6 - 18,5 KW	50

\*La charge NEC calculée est inférieure à la charge totale connectée indiquée sur la plaque signalétique.

- On recommande l'emploi de fusibles temporisés ou disjoncteurs.
- Cette cuisinière est dotée d'un cordon d'alimentation (homologation CSA International) destiné à être branché sur une prise de courant murale standard 14-50R. Veiller à ce que la prise de courant murale soit placée à portée de la position de service finale de la cuisinière.



- Ne pas utiliser de câble de rallonge.

## Préparation du plan de travail

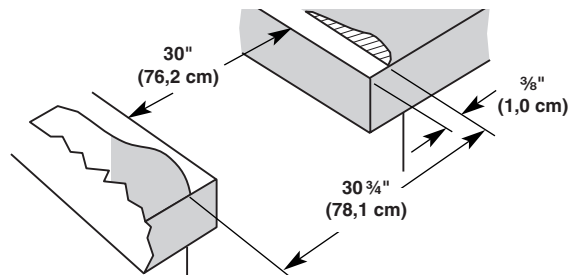
(pour cuisinières encastrables uniquement)

Les bords latéraux de la table de cuisson de la cuisinière encastrable seront placés en chevauchement sur les extrémités du plan de travail.

Si la largeur de l'espace disponible est de 30" (76,2 cm), et si la rive avant du plan de travail est plane et à l'équerre, aucune préparation du plan de travail ne sera nécessaire.

Si le bord avant du plan de travail a été réalisé par moulage, il sera nécessaire de réaliser une surface plane de  $\frac{3}{8}$ " (1 cm) dans chaque angle avant de l'ouverture.

Il peut être nécessaire de tailler le carrelage du plan de travail sur  $\frac{3}{8}$ " (1 cm) sur chaque angle à l'avant et/ou d'aplanir un bord arrondi.



Si la largeur de l'espace disponible pour le plan de travail est de plus de 30" (76,2 cm), ajuster la dimension de  $\frac{3}{8}$ " (1 cm).

Il faut que le plan de travail soit horizontal. Placer un niveau sur le plan de travail; contrôler l'horizontalité transversalement, puis dans le sens avant/arrière. Si le plan de travail n'est pas horizontal, la cuisinière ne sera pas d'aplomb. Il faut que la cuisinière soit d'aplomb pour produire une performance satisfaisante.

## INSTRUCTIONS D'INSTALLATION

### Déballage de la cuisinière

### **⚠ AVERTISSEMENT**

#### Risque du poids excessif

**Utiliser deux ou plus de personnes pour déplacer et installer la cuisinière.**

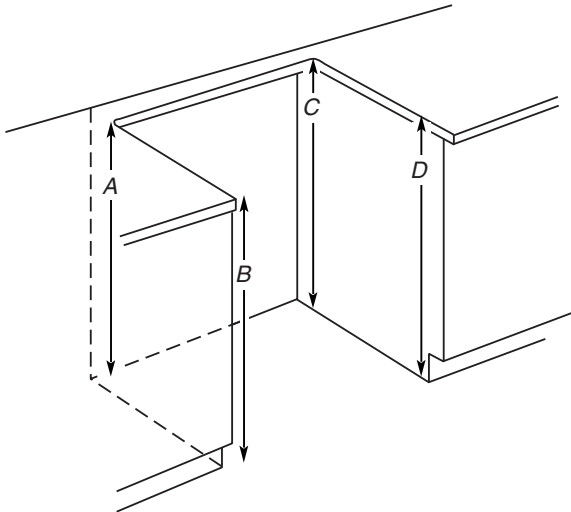
**Le non-respect de cette instruction peut causer une blessure au dos ou d'autre blessure.**

1. Ôter les matériaux d'emballage, le ruban adhésif et le film de la cuisinière. Garder la base de carton sous la cuisinière. Retirer les grilles de four et le sachet de pièces de l'intérieur du four.
2. Pour placer la cuisinière sur sa partie postérieure, prendre les 4 coins de protection du carton d'emballage. Empiler l'un des coins sur un autre. Répéter avec les 2 autres coins. Les disposer sur le plancher dans le sens de la longueur derrière la cuisinière pour soutenir la cuisinière lorsque celle-ci est placée sur sa partie postérieure. En utilisant au moins deux personnes, saisir fermement la cuisinière et la déposer délicatement sur sa partie postérieure, sur les coins de protection.

## Mesures pour une hauteur appropriée

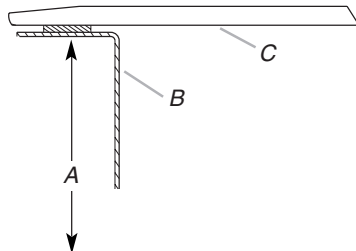
### Cuisinières coulissantes :

1. Mesurer la hauteur du plan de travail jusqu'au sol aux 4 emplacements correspondant aux 4 coins de la partie inférieure de la table de cuisson (voir illustration).



Mesure aux emplacements marqués par les lettres A, B, C, D.

2. Mesurer la distance entre le sol et la partie inférieure de la table de cuisson.

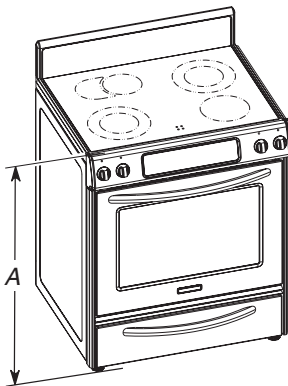


A. Distance en partant du sol vers la partie inférieure de la table de cuisson  
B. Châssis latéral de la cuisinière  
C. Table de cuisson

3. Ajuster la hauteur en fonction des différences observées entre les 2 mesures prises à l'étape précédente.

### Cuisinières autoportantes :

1. Mesurer la hauteur du plan de travail jusqu'au sol.
2. Mesurer ensuite du haut de la garniture de la table de cuisson jusqu'au sol.



A. Distance entre le sommet de la garniture de la table de cuisson et le plancher

3. La hauteur de nivellement correspond à la différence entre les 2 mesures prises à l'étape précédente.

## Ajuster les pieds de nivellement

1. Si un ajustement de la hauteur de la cuisinière est nécessaire, utiliser une clé ou une pince pour desserrer les 4 pieds de nivellement.

Ceci doit être effectué alors que la cuisinière repose sur sa partie postérieure ou est supportée par 2 pieds en position verticale.

**REMARQUE :** Pour remettre la cuisinière en position verticale, placer un carton ou un panneau de fibres dur devant la cuisinière. En utilisant au moins 2 personnes, relever la cuisinière et la placer sur le carton ou le panneau de fibres dur.

2. Ajuster les pieds de nivellement à la hauteur nécessaire. Les pieds de nivellement peuvent être desserrés pour ajouter une hauteur maximale de 1" (2,5 cm). Une longueur minimum de 3/16" (5 mm) est nécessaire pour engager la bride antibasculement.

**REMARQUE :** Si un ajustement de la hauteur est effectué alors que la cuisinière est debout, incliner la cuisinière vers l'arrière pour ajuster les pieds avant, puis incliner la cuisinière vers l'avant pour ajuster les pieds arrière.

3. Lorsque la cuisinière est à la hauteur souhaitée, vérifier qu'il y a un espace suffisant sous la cuisinière pour loger la bride antibasculement. Avant de faire glisser la cuisinière à son emplacement final, vérifier qu'il sera possible de faire glisser la bride antibasculement sous la cuisinière et sur le pied de nivellement arrière avant l'installation de la bride antibasculement.

## Installation de la bride antibasculement

### ⚠ AVERTISSEMENT



#### Risque de basculement

Un enfant ou une personne adulte peut faire basculer la cuisinière ce qui peut causer un décès.

Joindre la bride antibasculement au pied arrière de la cuisinière.

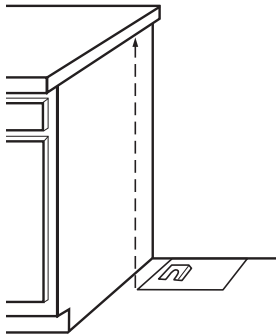
Joindre de nouveau la bride antibasculement si la cuisinière est déplacée.

Le non-respect de ces instructions peut causer un décès ou des brûlures graves aux enfants et aux adultes.

Contactez un installateur de revêtements de sol qualifié au sujet des meilleures méthodes de perçage des trous de montage à travers le revêtement de sol existant.

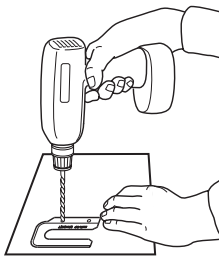
Avant de déplacer la cuisinière, la faire glisser sur sa base d'expédition, sur un carton ou un panneau de fibres dur.

1. Enlever le gabarit de la trousse de la bride antibasculement (se trouvant à l'intérieur de la cavité du four) ou de la dernière page de ce manuel.
2. Placer le gabarit sur le sol dans l'ouverture du placard de sorte que le bord gauche se trouve contre le placard, et le bord supérieur contre la paroi arrière, la plinthe ou le placard.
3. Fixer le gabarit avec du ruban adhésif.
4. Si le plan de travail n'est pas en affleurement avec le rebord de l'ouverture du placard, aligner le gabarit avec le surplomb.



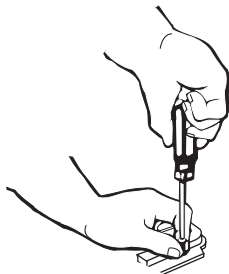
Si l'ouverture du placard est plus large que ce qui est spécifié dans les "Exigences d'emplacement", ajuster le gabarit de sorte que la cuisinière soit au centre de l'ouverture du placard.

5. Pour monter la bride antibasculement sur un plancher de bois, percer deux trous de  $\frac{1}{8}$ " (3,2 mm) aux emplacements indiqués sur le gabarit de la bride. Enlever le gabarit du sol.



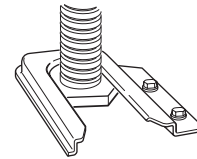
Pour monter la bride antibasculement sur un plancher en béton ou en céramique, utiliser un foret à maçonnerie de  $\frac{3}{16}$ " (4,8 mm) pour percer 2 trous aux emplacements indiqués sur le gabarit de la bride. Enfoncer les chevilles en plastique dans les trous à l'aide d'un marteau.

6. Aligner les trous de la bride antibasculement avec les trous dans le plancher. Fixer la bride antibasculement avec les vis fournies.



Selon l'épaisseur du matériau du plancher, il peut être nécessaire d'employer des vis plus longues pour ancrer la bride dans le sous-plancher. Vous trouverez les vis nécessaires dans votre quincaillerie locale.

7. Déplacer la cuisinière suffisamment près de l'ouverture pour pouvoir effectuer les raccordements électriques. Retirer le carton ou le panneau de fibres dur de sous la cuisinière.
8. Effectuer les raccordements électriques comme décrit à la section "Raccordement électrique".
9. Déplacer la cuisinière à son emplacement final en s'assurant que le pied de nivellement arrière glisse dans la bride antibasculement.



10. Poursuivre l'installation de la cuisinière en utilisant les instructions d'installation suivantes.

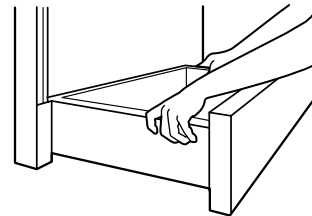
## Vérification de l'emplacement de la bride antibasculement

### IMPORTANT :

- Sur les modèles équipés d'un tiroir-réchaud, le pied arrière doit être visible de l'avant et légèrement d'un côté de la cuisinière.
- Sur les modèles équipés d'un tiroir de rangement, le tiroir peut être retiré pour mieux voir le pied arrière de la cuisinière.

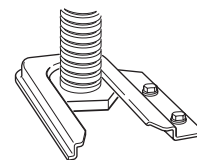
1. Pour retirer le tiroir de rangement :

- Tirer le tiroir tout droit jusqu'à la première butée.
- Soulever l'arrière du tiroir et le retirer.



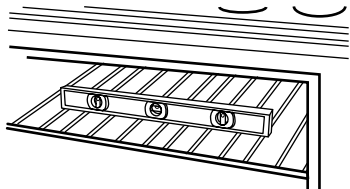
2. Utiliser une lampe de poche pour inspecter le dessous de la cuisinière afin vérifier que la bride antibasculement est bien installée :

- Vérifier que la bride antibasculement est bien fixée au plancher.
- Réinstaller la cuisinière en veillant à insérer le pied arrière sous la bride antibasculement.



## Réglage de l'aplomb de la cuisinière

1. Placer la grille dans le four.
2. Placer un niveau sur la grille et contrôler l'aplomb, d'abord transversalement, puis dans le sens avant/arrière.



3. Si la cuisinière n'est pas d'aplomb, la tirer de nouveau vers l'avant jusqu'à ce que le pied de nivellement arrière soit retiré de la bride antibasculement.

Utiliser une clé ou une pince pour régler les pieds de nivellement vers le haut ou vers le bas jusqu'à ce que la cuisinière soit d'aplomb. Pousser pour remettre la cuisinière en place. Vérifier que le pied de nivellement arrière est engagé dans la bride antibasculement.

**REMARQUE :** La cuisinière doit être d'aplomb pour pouvoir obtenir des résultats de cuisson satisfaisants.

4. Remettre en place le tiroir de rangement :
  - Placer les extrémités des rails du tiroir dans les glissières de la cavité.
  - Fermer le tiroir en le faisant glisser.

## Achever l'installation

1. Vérifier que toutes les pièces ont été installées. S'il reste une pièce, étudier en détail les étapes du processus d'installation pour identifier l'étape qui a été omise.
2. Vérifier la présence de tous les outils.
3. Jeter ou recycler tous les matériaux d'emballage.
4. Vérifier que la cuisinière est d'aplomb. Voir "Réglage de l'aplomb de la cuisinière".
5. Pour l'élimination des résidus de cire laissés par les matériaux d'expédition, utiliser une solution d'eau tiède et de produit de nettoyage ménager liquide doux. Sécher complètement avec un chiffon doux. Pour plus de renseignements, voir la section "Entretien de la cuisinière" dans le Guide d'utilisation et d'entretien.
6. Consulter la section "Utilisation de la cuisinière" dans le Guide d'utilisation et d'entretien.
7. Brancher la cuisinière ou reconnecter la source de courant électrique.
8. Allumer les brûleurs de surface et le four. Consulter le Guide d'utilisation et d'entretien pour des instructions spécifiques sur le fonctionnement de la cuisinière.

### Si la cuisinière ne fonctionne pas, contrôler ce qui suit :

- Fusible grillé ou mal connecté? Disjoncteur ouvert?
- Cuisinière branchée sur une prise de courant reliée à la terre?
- Circuit d'alimentation sous tension?
- Consulter la section "Dépannage" dans le Guide d'utilisation et d'entretien.

Après 5 minutes de fonctionnement de la cuisinière, vérifier l'échauffement. Si elle est froide, éteindre la cuisinière et contacter un technicien qualifié.

## Déplacement de la cuisinière

### **AVERTISSEMENT**



#### Risque de basculement

**Un enfant ou une personne adulte peut faire basculer la cuisinière ce qui peut causer un décès.**

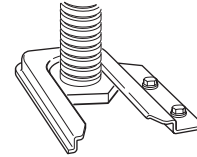
**Joindre la bride antibasculement au pied arrière de la cuisinière.**

**Joindre de nouveau la bride antibasculement si la cuisinière est déplacée.**

**Le non-respect de ces instructions peut causer un décès ou des brûlures graves aux enfants et aux adultes.**

#### Cuisinières alimentées par cordon d'alimentation :

1. À l'aide d'au moins deux personnes, faire glisser la cuisinière sur le carton ou le panneau de fibres dur pour effectuer le nettoyage ou l'entretien.
2. Débrancher le cordon d'alimentation électrique.
3. Effectuer le nettoyage ou l'entretien.
4. Brancher la cuisinière.
5. S'assurer que la bride antibasculement est installée :
  - Vérifier que la bride antibasculement est solidement fixée au plancher.
  - Faire glisser de nouveau la cuisinière vers l'arrière de façon à ce que le pied arrière de la cuisinière se trouve sous la bride antibasculement.



6. Vérifier que la cuisinière est d'aplomb.

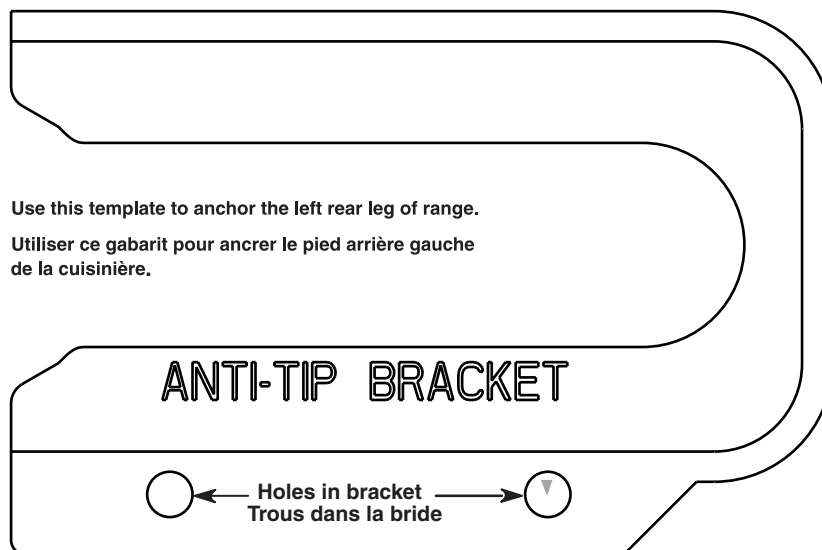
Lorsqu'on déplace la cuisinière, la faire glisser sur une planche de carton ou en de fibres dur pour éviter d'endommager le revêtement du sol.

Si le déplacement de la cuisinière est nécessaire pour le nettoyage ou l'entretien :

## ANTI-TIP BRACKET TEMPLATE GABARIT POUR LA BRIDE ANTIBASCULEMENT

Cut here and place top edge against the left side cabinet and right edge against rear wall.

Couper ici et placer le rebord supérieur contre le côté gauche du placard et le rebord droit contre la paroi arrière.



Use this template to anchor the left rear leg of range.

Utiliser ce gabarit pour ancrer le pied arrière gauche de la cuisinière.

**ANTI-TIP BRACKET**

Holes in bracket  
Trous dans la bride