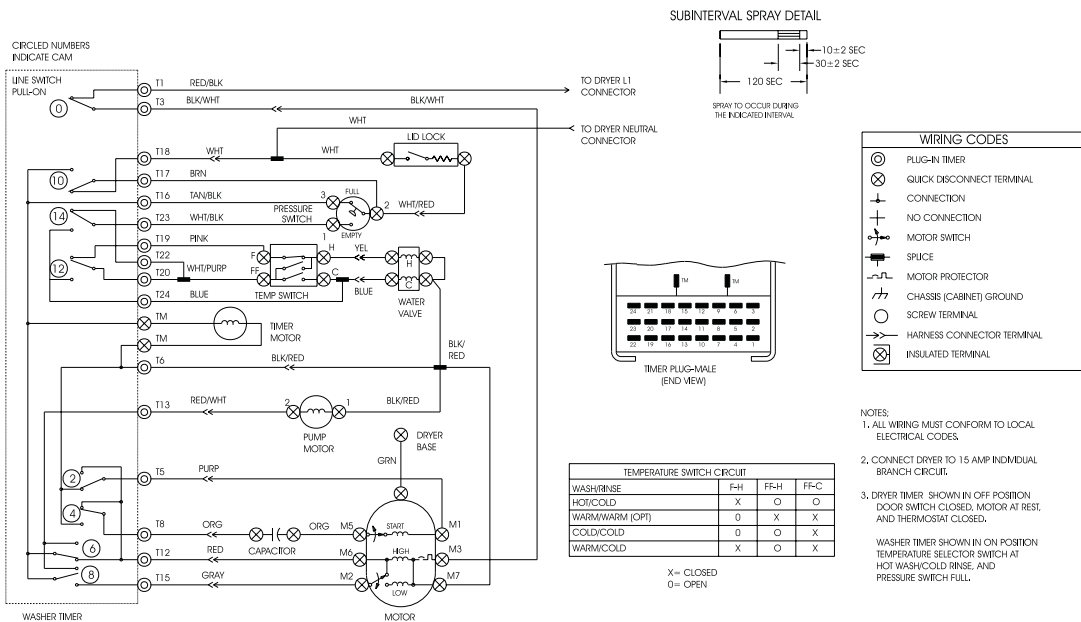
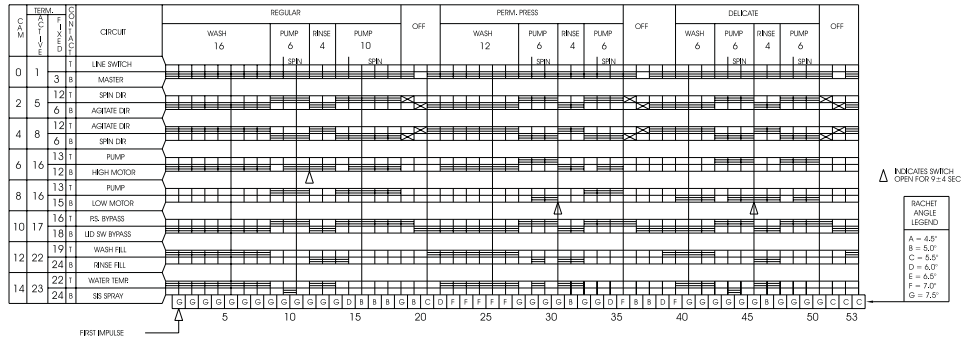


# WIRING DIAGRAM

CAUTION: DISCONNECT ELECTRIC CURRENT BEFORE SERVICING. LABEL ALL WIRES PRIOR TO DISCONNECTION WHEN SERVICING CONTROLS. WIRING ERRORS CAN CAUSE IMPROPER AND DANGEROUS OPERATION. VERIFY PROPER OPERATION AFTER SERVICING.



TEMPERATURE SWITCH CIRCUIT

| WASH/RINSE      | F-H | FF-H | FF-C |
|-----------------|-----|------|------|
| HOT/COLD        | X   | O    | O    |
| WARM/WARM (OPT) | O   | X    | X    |
| COLD/COLD       | O   | O    | X    |
| WARM/COLD       | X   | O    | X    |

X = CLOSED  
O = OPEN

