

Installation Instructions

30" Sealed Gas Cooktop

JGP329, JGP333, JGP940, PGP943



Questions? Call 800.GE.CARES (800.432.2737) or Visit our Website at: GEAppliances.com
In Canada, call 1.800.561.3344 or Visit our Website at: www.geappliances.ca

IN THE COMMONWEALTH OF MASSACHUSETTS:

- This product must be installed by a licensed plumber or gas fitter.
- When using ball-type gas shut-off valves, they shall be the T-handle type.
- A flexible gas connector, when used, must not exceed 3 feet.

BEFORE YOU BEGIN

Read these instructions completely and carefully.

- **IMPORTANT** — Save these instructions for local inspector's use.
- **IMPORTANT** — Observe all governing codes and ordinances.
- Note to Installer – Be sure to leave these instructions with the Consumer.
- Note to Consumer – Keep these instructions for future reference.
- Product failure due to improper installation is not covered under the Warranty.

⚠ WARNING — This appliance must be properly grounded.

- **IMPORTANT** — Leak testing of the appliance shall be conducted according to the manufacturer's instructions.
- Proper installation is the responsibility of the installer and product failure due to improper installation is NOT covered under warranty.

⚠ WARNING — Disconnect all electrical power at the main circuit breaker or fuse box before installing.

FOR YOUR SAFETY:

⚠ WARNING — If the information in this manual is not followed exactly, a fire, explosion or gas leak may result causing property damage, personal injury or death.

Do not store or use gasoline or other flammable vapors and liquids in the vicinity of this or any other appliance!

Do not install this product with an air curtain hood or other range hood that operates by blowing air down on the cooktop. This airflow may interfere with operation of the gas burners resulting in fire or explosion hazard.



WHAT TO DO IF YOU SMELL GAS:

- Do not try to light any appliance. Do not touch any electrical switch; do not use any phone in your building.
- Immediately call your gas supplier from a neighbor's phone. Follow the gas supplier's instructions.
- If you cannot reach your gas supplier, call the fire department.

Installation and service must be performed by a qualified installer, service agency or the gas supplier.

This cooktop has been design certified by CSA International. You'll find safety precautions in your Owner's Manual. Read them carefully.

- Installation of this cooktop must conform with local codes or in the absence of local codes with the National Fuel Gas Code, ANSI Z223.1/NFPA 54—Latest edition.
- Be sure your cooktop is installed properly by a qualified installer or service technician.
- To eliminate reaching over surface burners, cabinet storage above burner should be avoided.
- Do not install the unit near an outside door or where a draft may affect its use.

Installation Instructions

IMPORTANT SAFETY INSTRUCTIONS

ELECTRICAL REQUIREMENTS

This appliance must be supplied with the proper voltage and frequency and connected to an individual, properly grounded branch circuit, protected by a circuit breaker or fuse having amperage as noted on the rating plate.

We recommend you have the electrical wiring and hookup of your cooktop connected by a qualified electrician. After installation, have the electrician show you where your main cooktop disconnect is located.

Check with your local utilities for electrical codes which apply in your area. Failure to wire your cooktop according to governing codes could result in a hazardous condition.

If there are no codes, your cooktop must be wired and fused to meet the requirements of the National Electrical Code, ANSI/NFPA No. 70—Latest edition. You can get a copy by writing:

National Fire Protection Association
Batterymarch Park
Quincy, MA 02269

In Canada your cooktop must be wired and fused to meet the requirements of the Canadian Electrical Code.

Be sure the installation of this product in a mobile home conforms with the Manufactured Home Construction and Safety Standard, Title 24 CFR, Part 3280. If this standard does not apply, you must follow the standard for Manufactured Home Installations, ANSI A225.1 and Manufactured Home Installations, Sites and Communities and ANSI/NFPA 501A or with local codes.

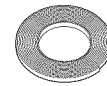
You can get a copy of the Federal Standard by Writing:

Office of Mobile Home Standards
HUD Building
451 7th Street, S.W.
Washington, D.C. 24010

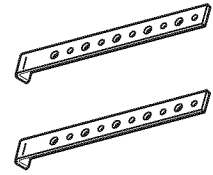
PARTS INCLUDED



2 Screws



Foam Tape

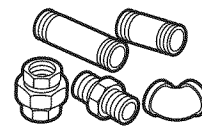


2 Hold Down Brackets

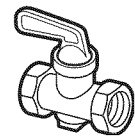
MATERIALS YOU MAY NEED



Joint Sealant



Pipe Fittings



Shut-Off Valve



CSA-Approved Flexible Gas Line
3/8" Min. ID, 1/2" NPT Connection,
3-foot Maximum Length (Massachusetts Only)

TOOLS YOU WILL NEED FOR INSTALLATION



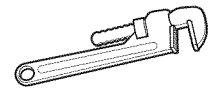
Pencil



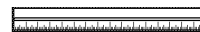
Saber Saw



Phillips-Head
Screwdriver



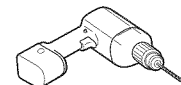
Pipe Wrench



Ruler or Straightedge



Safety Glasses

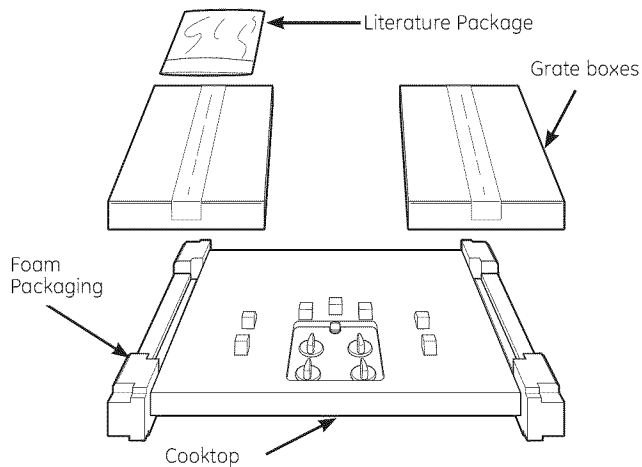


1/8" Drill Bit & Electric or
Hand Drill

Installation Instructions

PRE-INSTALLATION CHECKLIST

- A** When preparing cooktop opening, make sure the inside of the cabinet and the cooktop do not interfere with each other. (See section on preparing the opening.)
- B** Remove packaging materials, grate boxes, regulator with literature, and literature package from the cooktop before beginning installation.



- C** Remove Installation Instructions from literature pack and read them carefully before you begin.

Be sure to place all literature, Use and Care, Installations, etc. in a safe place for future reference.



- D** Make sure you have all the tools and materials you need before starting the installation of the cooktop.
- E** Your home must provide the adequate electrical service needed to safely and properly use your cooktop. (Refer to section on electrical requirements.)
- F** When installing your cooktop in your home, make sure all local codes and ordinances are followed exactly as stated.
- G** Make sure the wall coverings, countertop and cabinets around the cooktop can withstand heat (up to 200°F) generated by the cooktop.

Installation Instructions

PREPARING THE OPENING

1 MAINTAIN THE FOLLOWING MINIMUM CLEARANCE DIMENSIONS

13" MAX. Depth of unprotected overhead cabinets

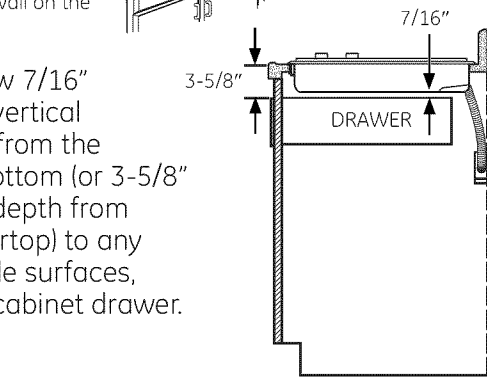


30" MIN. clearance from countertop to unprotected overhead surface

6" MIN. clearance from cutout to side wall on the right of the unit

18" MIN. height from countertop to nearest cabinet on either side of unit

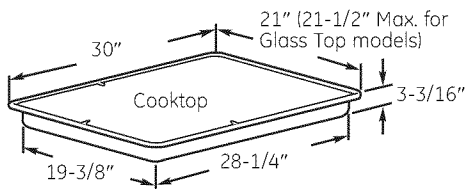
3-3/4" MIN. clearance from cutout to side wall on the left of the unit



NOTE: Allow 7/16" minimum vertical clearance from the cooktop bottom (or 3-5/8" minimum depth from the countertop) to any combustible surfaces, such as a cabinet drawer.

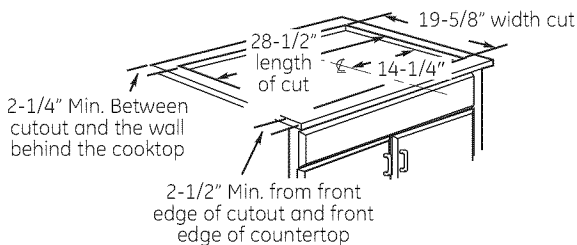
For island installation, maintain 2-1/2 in. minimum from cutout to front and back edge of countertop. Maintain 3 in. minimum from cutout to side edges of countertop.

2 OVERALL COOKTOP DIMENSIONS

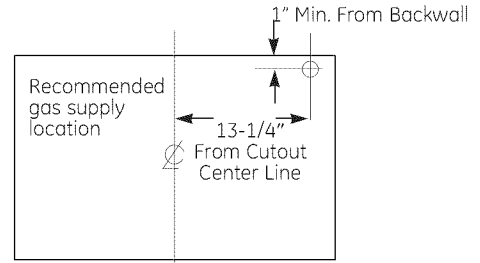


3 CUTOUT DIMENSIONS OF COUNTERTOP

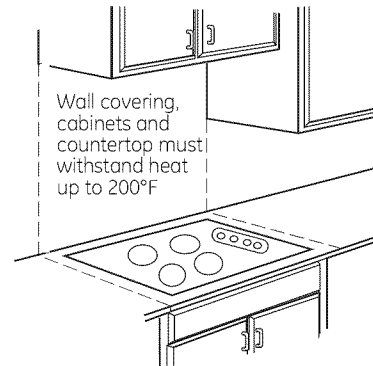
To ensure accuracy, it is best to make a template when cutting the opening in the counter.



4 RECOMMENDED GAS SUPPLY LOCATION FROM BACKWALL

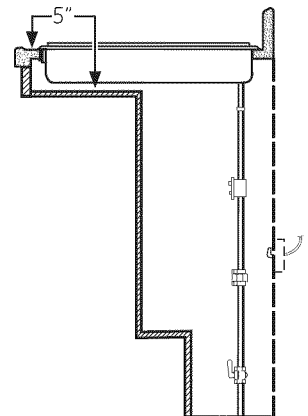


5 MAKE SURE WALL COVERINGS, COUNTERTOP AND CABINETS AROUND COOKTOP CAN WITHSTAND HEAT (UP TO 200°F) GENERATED BY COOKTOP



6 FOR AMERICANS WITH DISABILITIES ACT (ADA) FORWARD APPROACH INSTALLATION ONLY:

Allow 5" minimum depth between the countertop and an enclosure.



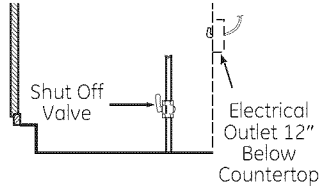
NOTE: The enclosure must be made of wood material. Also, an access panel is required for the electrical outlet, pressure regulator, shut-off valve, hold-down brackets, and service.

Installation Instructions

INSTALLING THE COOKTOP UNIT

1 LOCATE ELECTRICAL OUTLET AND GAS SHUT-OFF VALVE BENEATH CABINET

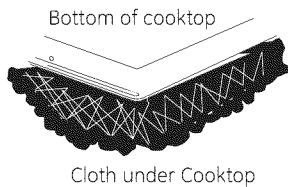
NEVER REUSE OLD CONNECTORS WHEN INSTALLING THIS UNIT.



Install a manual shut-off valve in the gas line in an easily accessible location outside the cooktop. Be sure you know how and where to shut off the gas supply to the cooktop. Install the electrical outlet 12" below the countertop.

2 PROTECT SURFACE OF COOKTOP

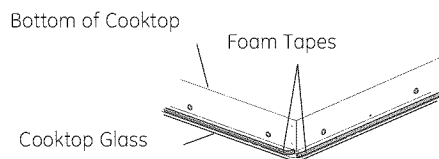
Place a towel or tablecloth onto the countertop. Lay the cooktop upside down onto the protected surface.



3 ATTACH FOAM TAPE

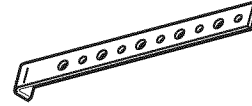
(glass maintop models only)

Apply the foam tape around the outer edge of the glass. Do not overlap the foam strips.



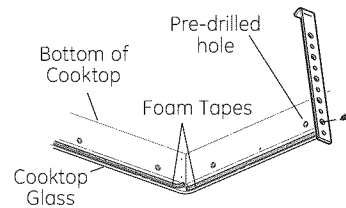
4 LOCATE MOUNTING PARTS

Remove the hold-down brackets from the literature package.



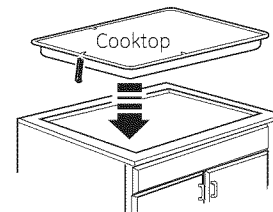
5 ATTACH BRACKETS TO COOKTOP

Remove the screw from the side of the cooktop and screw the hold-down bracket to the side of the cooktop unit. Repeat for opposite side of cooktop.



6 INSERT COOKTOP INTO CUTOUT

Insert the cooktop centered into the cutout opening. Make sure the front edge of the countertop is parallel to the cooktop. Make final check that all required clearances are met.



Once the unit is in place, screw the hold-down bracket into the cabinet sides to secure the unit into place.

Installation Instructions

INSTALLATION—GAS CONNECTIONS

1 PROVIDE ADEQUATE GAS SUPPLY

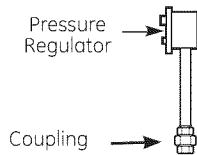
This cooktop is designed to operate on natural gas at 4" of water column manifold pressure and 7" of water column (W.C.) supply pressure. It is shipped from the factory set for natural gas. The convertible pressure regulator supplied with the unit must be connected in series with the manifold of the cooktop and must remain in series with the supply line regardless of whether natural or L.P. gas is being used. FOR PROPER OPERATION, THE MAXIMUM INLET PRESSURE TO THE REGULATOR MUST BE NO MORE THAN 14" OF WATER COLUMN PRESSURE. For checking the regulator, the inlet pressure must be at least 1" W.C.. (or 3.4 KPA) greater than the regulator output setting. If the regulator is set for 4" W.C. of water column pressure, the inlet pressure must be at least 5" W.C. If the regulator is set for 10" W.C., the inlet pressure must be at least 11" W.C.. The gas supply line to the cooktop should be 1/2" or 3/4" pipe.

2 INSTALL REGULATOR

NEVER REUSE OLD CONNECTORS WHEN INSTALLING THIS COOKTOP.

⚠ WARNING: Never reuse old flexible connectors. The use of old flexible connectors can cause gas leaks and personal injury. Always use new flexible connectors when installing a gas appliance.

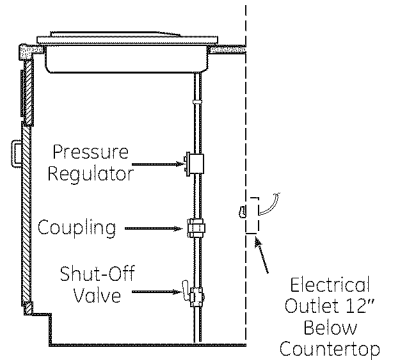
Screw a section of pipe onto the inlet end of the pressure regulator and install the coupling.



To reduce the likelihood of gas leaks, apply teflon tape or a thread compound approved for use with LP or Natural gases to all threaded connections.

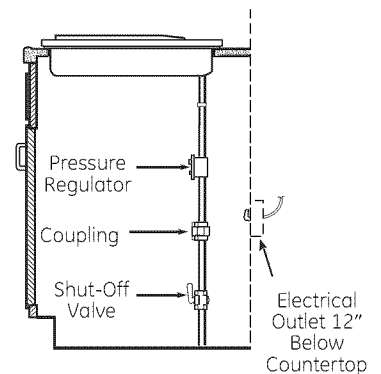
3 INSTALL REGULATOR ONTO BURNER BOX BOTTOM

Screw the regulator onto the burner box bottom pipe connection. Make sure the top of the regulator is facing towards the cabinet front, easily accessible through the cabinet doors.



4 COMPLETE CONNECTION WITH A COUPLING

Complete the connection between the regulator, pipe coupling, and the shut-off valve.



Installation Instructions

5 CHECK FOR LEAKS

Before testing for leaks, make sure all burner knobs are in the OFF position.

After connecting the cooktop to gas, check system for leaks with a manometer. If a manometer is not available, turn the gas supply on to the cooktop and use a liquid leak detector at all joints and connections to check for leaks.

Tighten all connections if necessary to prevent gas leakage in the cooktop or supply line.

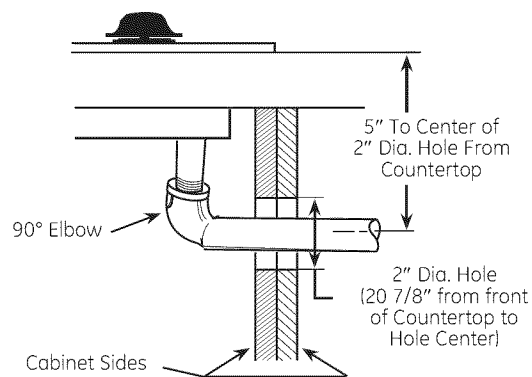
DO NOT USE OPEN FLAME TO CHECK FOR LEAKS!

Disconnect the cooktop and its individual shut-off valve from the gas supply piping system during any pressure testing of that system at test pressures greater than 1/2 psig (3.5 kPa).

Isolate the cooktop from the gas supply piping system by closing its individual shut-off valve during any pressure testing of the gas supply system at test pressures equal to or less than 1/2 psig (3.5 kPa).

6 INSTALLATION OVER BUILT-IN OVEN

See built-in oven installation for complete installation instructions.



Installation Instructions

INSTALLATION—ELECTRICAL CONNECTIONS

⚠ WARNING — Disconnect all electrical power at the main circuit breaker or fuse box before installing.

1 EXTENSION CORDS

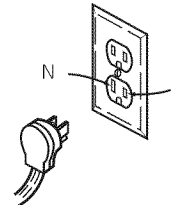
Because of potential safety hazards under certain conditions, we strongly recommend against the use of an extension cord. However, if you still elect to use an extension cord, it is absolutely necessary that it be a UL listed 3-wire grounding type appliance extension cord and that the current carrying rating of the cord in amperes be equivalent to or greater than the branch circuit rating. Such extension cords are obtainable through your local appliance dealer.

IMPORTANT: (Please read carefully) FOR PERSONAL SAFETY, THIS APPLIANCE MUST BE PROPERLY GROUNDED.

2 ELECTRICAL SUPPLY AND OUTLET

An adequate electrical supply and outlet must be used to operate the electrical parts of your cooktop.

- A** The power cord of this appliance is equipped with a 3-prong (grounding) plug which must be used with a properly grounded 3-hole outlet with a standard 120 Volt, 60 cycle AC household current.
- B** If you do not have a 3-hole grounded outlet, have a qualified electrician change your old one.
- C** A grounding adaptor will be needed to convert the old one until the outlet can be replaced. This method is only temporary, and a qualified electrician should test it to be sure it meets requirements.



Insure proper ground and firm connection before use

3 TWO-PRONG WALL RECEPTACLE

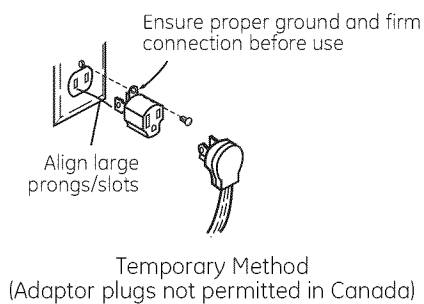
Where a standard 2-prong wall receptacle is encountered, it is the personal responsibility and obligation of the customer to have it replaced with a properly grounded 3-prong wall receptacle.

Do not under any circumstances cut or remove grounding prong from the cooktop cord. Failure to provide proper polarization may create a hazardous condition.

Installation Instructions

4 USAGE SITUATIONS WHERE APPLIANCE POWER CORD WILL BE DISCONNECTED INFREQUENTLY

For 15 amp circuit only. Do not use an adaptor on a 20 amp circuit. Where local codes permit, a TEMPORARY CONNECTION may be made to a properly grounded 2-prong wall receptacle by the use of a UL-listed adaptor available at most hardware stores. The larger slot in the adaptor must be aligned with the large slot in the wall receptacle to provide proper polarity in the connection of the power cord.



CAUTION: Attaching the adaptor ground terminal to the wall receptacle cover screw does not ground the appliance unless the screw is metal, and not insulated, and the wall receptacle is grounded through the house wiring. The customer should have the circuit checked by a qualified electrician to make sure the receptacle is properly grounded.

When disconnecting the power cord from the adaptor, always hold the adaptor with one hand. If this is not done, the adaptor ground terminal is very likely to break with repeated use. Should this happen, DO NOT USE the appliance until a proper ground has again been established.

Usage situation where appliance power cord will be disconnected frequently.

Do not use an adaptor plug in these situations because disconnection of the power cord places undue strain on the adaptor and leads to eventual failure of the adaptor ground terminal. The customer should have the 2-prong receptacle replaced with a 3-prong (grounding) receptacle by a qualified electrician before using the appliance.

Installation Instructions

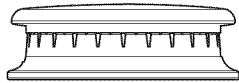
COOKTOP BURNERS

1 ASSEMBLING THE COOKTOP BURNERS

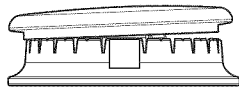
The electrode of the spark igniter is exposed. Be careful not to push any cooktop controls while the top of the burner is removed. Do not remove the top or touch the electrode of any burner while another burner is turned on. Electrical shock might result.

A Replace the burner head onto the burner base, making sure that the head is properly oriented over the burner base and the electrode. Make sure to place the correct burner head on the correct burner base and that the burner head sits level on the burner base. The burner heads are not interchangeable.

B Place the burner caps on the burner heads, making sure to place the correct burner cap on the correct burner head. The burner caps are not interchangeable. Make sure that the burner caps are properly seated on the burner heads.

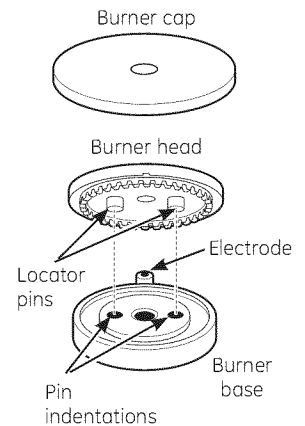


Burner cap properly seated



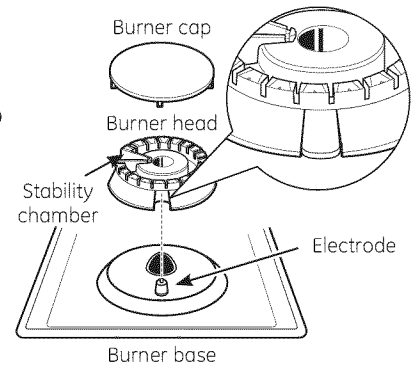
Burner cap not properly seated

C Make sure the pins in the burner heads match the burner base indentations and that they are properly seated in them by rotating the heads until they are level.

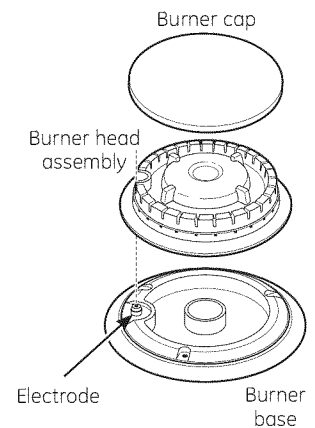


Make sure the slot in the burner head is positioned over the electrode.

The burner cap has three to four pins. When replacing the cap, make sure none of the pins sits in the stability chamber.



Make sure the hole in the burner head assembly is positioned over the electrode and that the burner head is fully inserted inside the burner base. A small gap between the base and head is normal.



Installation Instructions

2 CHECK IGNITERS

Operation of the electric igniters should be checked after the cooktop and supply line have been carefully checked for leaks and the cooktop has been connected to the electrical power.

On models so equipped, check to be sure the cooktop is in the UNLOCKED position.

A Push and turn a burner valve to the LITE position. All spark igniters will make a series of sparks (ticking sounds), but only the burner turned to LITE will light.

- The burner should light when gas is available to the burner.
- Once the burner lights, it should be turned out of the LITE position.

B Try each valve separately until all burners have been checked.

3 BURNER IGNITION

Cooktop Spark Ignition—When you turn the cooktop knob to LITE, the spark igniter makes a series of electric sparks (ticking sounds) which light the burner. During a power failure, the burners will not light automatically. In an emergency, a cooktop burner may be lit with a match by following the steps below.

WARNING: Lighting gas burners with a match is dangerous. You should match light the cooktop burners only in an emergency.

On models so equipped, check to be sure the cooktop is in the UNLOCKED position.

A Light a match and hold the flame near the burner you want to light. Wooden matches work best.

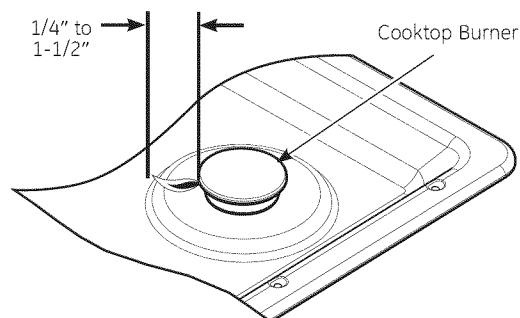
B Push in and turn the control knob slowly. Be sure you are turning the correct knob for the burner you are lighting.

NOTE: If the burner does not light within five seconds, turn the knob off and wait one minute before trying again.

4 THE BURNER FLAMES

Turn each burner on. Flames should be blue in color with no trace of yellow. The burner flames should not flutter or blow away from the burner. The flame should be no less than 1/4" on the lowest setting and no greater than 1-1/2" on highest setting.

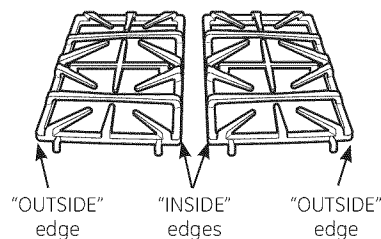
WARNING: If you attempt to measure the flame, please use caution. Burns could result.



Burners should be checked frequently

5 BURNER GRATES

The cooktop grates are designed for specific positions. For maximum stability, these grates should only be used in their proper position: they should not be interchanged. For your convenience, the undersides of the left and right grates are marked "OUTSIDE" and "INSIDE". Make sure that the side marked "OUTSIDE" is on the outer edge of your cooktop.



Installation Instructions

OPERATION CHECKLIST

- A** Make sure all controls are left in the OFF position. Check to be sure the cooktop is in the UNLOCKED position (on models so equipped).
- B** Make sure the flow of air to and from the cooktop is unobstructed.
- C** The serial plate for your cooktop is located on the bottom of the burner box. In addition to the model and serial numbers, it tells you the ratings of the burners and the type of fuel and pressure the cooktop was adjusted for when it left the factory.
- D** When ordering parts, always include the serial number, model number and a code letter to ensure proper replacement parts.
- E** Recheck Steps:
Double check to make sure everything in this guide has been completed. Rechecking steps will ensure safe use of the cooktop.

Installation Instructions

MAKING THE LP CONVERSION

IF SOLD OUTSIDE THE U.S. AND CANADA:

⚠ WARNING: If you wish to use this product with Liquefied Petroleum (LP) gas containing greater than 10% butane, you must purchase a butane conversion kit. To order, please call 1.888.664.8403 or 1.787.276.4051.

Model	Butane Kit #
JGP940	WB28T10228
JGP333 & PGP943	WB28T10283
JGP329	WB28T10234

1 SAFETY INFORMATION YOU SHOULD KNOW

The pressure regulator and burner orifices are set for natural gas. To use LP gas, the regulator and burner orifices must be converted. The LP orifice spuds for the cooktop burners are attached to the regulator along with separate LP conversion instructions.

⚠ CAUTION: The cooktop, as shipped from the factory, is set for use with natural gas. If you wish to use your cooktop with LP gas, you must first replace the orifices and convert the pressure regulator.

⚠ WARNING: This conversion must be performed by a qualified installer or gas supplier in accordance with the manufacturer's instructions and all codes and requirements of the authority having jurisdiction. Failure to follow instructions could result in serious injury or property damage. The qualified agency performing this work assumes responsibility for the conversion.

⚠ CAUTION: The following adjustments must be made before turning on the burner. Failure to do so could result in serious injury. Be sure pressure regulator has been converted as described in Step 2.

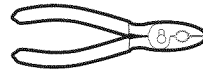
TOOLS YOU WILL NEED FOR LP CONVERSION



Phillips-Head Screwdriver



7mm Nutdriver



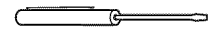
Pliers



No. 15 Torx-Head Driver



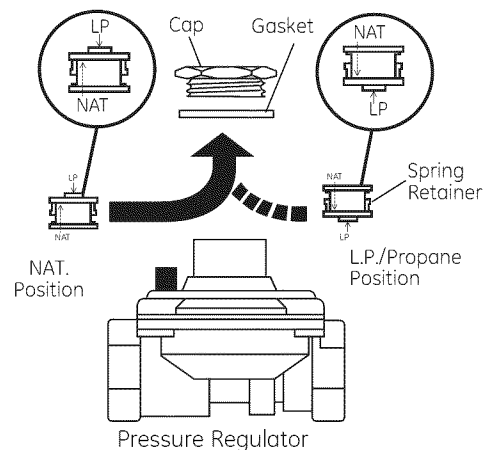
Safety Glasses



Small Flat-Head Screwdriver (4mm or 5/32" tip size, 60mm or 2-3/8" long)

2 ADJUST YOUR COOKTOP FOR USE WITH LP GAS

- A** Disconnect all electrical power, at the main circuit breaker or fuse box.
- B** Shut off the gas supply to the cooktop by closing the manual shut-off valve.
- C** Adjust the pressure regulator, by the following instructions:
 - Unscrew the cap.
 - Carefully look at the spring retainer to locate the NAT or LP position.



- Turn the spring retainer over by rotating it 90 deg., pull it from the cap, turn the spring retainer over so that LP is showing, insert it back into the cap, and then rotate it 90 deg. into position.
- Screw the cap back onto the regulator and tighten.

Installation Instructions

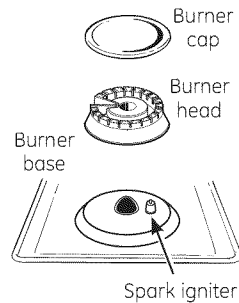
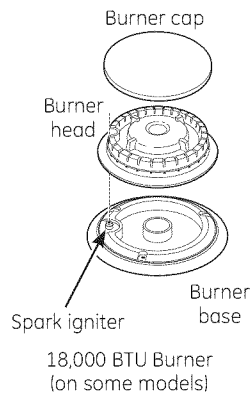
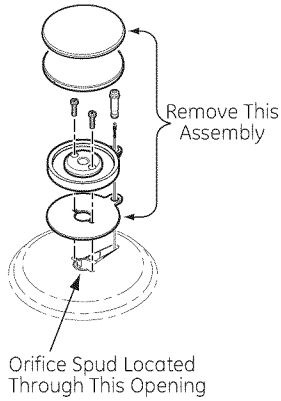
MAKING THE LP CONVERSION (CONT.)

3 CHANGE COOKTOP BURNER ORIFICES

A Remove the top grates, burner caps, and burner heads.

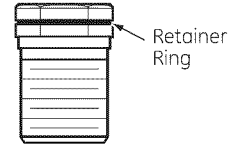
B Remove the spark igniters from the burner base (if required to access the orifices). Using a No. 15 "Torx" head driver bit, remove the screws holding the burner base in position.

C Using a 7mm nut driver, remove the top burner orifices. These may be accessed through the hole in the cooktop.

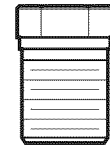


3 CHANGE COOKTOP BURNER ORIFICES (CONT.)

On most burners, the orifices have a spring-loaded retaining ring around the hex head to hold the orifice in the nut driver during installation and removal. A slight amount of force is required to push the nut driver down over the ring.



NOTE: For orifices that do not have a spring-loaded retaining ring, use pliers to hold the orifice in position during initial thread engagement or final removal to avoid dropping the orifice in the cooktop. Then use the nut driver to tighten or loosen.



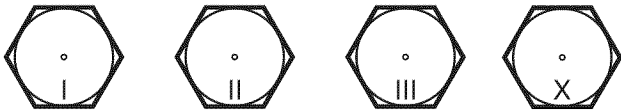
Installation Instructions

3 CHANGE COOKTOP BURNER ORIFICES (CONT.)

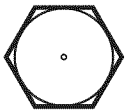
D Locate the LP orifices attached to the regulator along with separate LP conversion instructions. They will have a digit for size, and a letter for type of gas, on the top or side. (**Important:** Save the orifices removed from the appliance for future use.)

Each orifice will show a series of engraved marks, (I, II, III, X or none), located on the top.

These marks denote the precise location of each orifice to the cooktop burner.

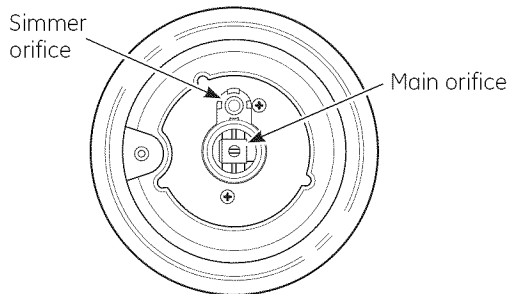


15,000 BTU/HR Burner (on some models)

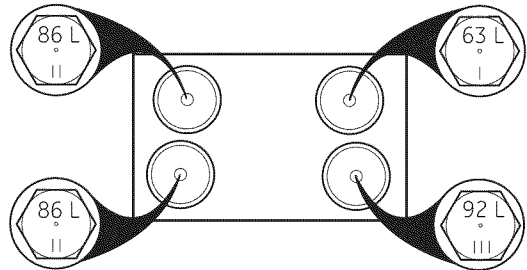


The 15,000 BTU/HR burner has two orifices with markings located in the sides only. (See rating plate on bottom of appliance).

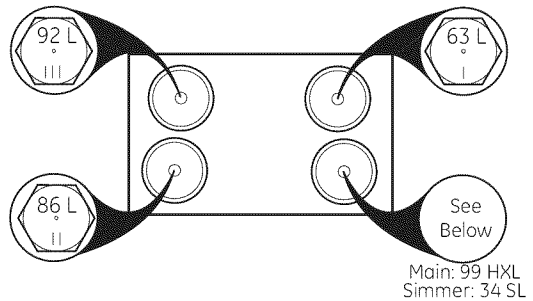
NOTE: The main orifice is located low in the center of the burner while the simmer orifice is located higher behind the center of the burner.



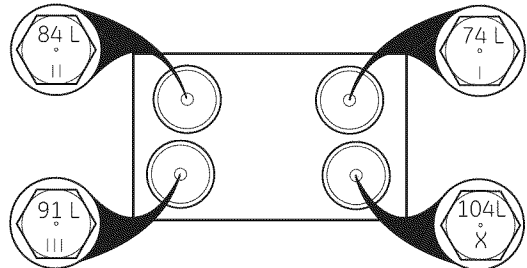
JGP329



JGP333 & PGP943



JGP940



- E** Install the LP orifices in their precise locations as noted in the illustrations above.
- F** Return the natural gas orifices to the bracket and reattach the bracket and the instruction sheet to the pressure regulator using the screw removed previously.
- G** Replace the burner bases, heads, caps and top grates. (**NOTE:** When re-attaching the burner bases to glass top units, tighten screws to a maximum of 10 in.-lbs torque.)

Installation Instructions

MAKING THE LP CONVERSION (CONT.)

4 ADJUST BURNER FLAMES

- A** Turn all burners full on and check the flames. They should be blue in color with some yellow tipping at the ends of the flame. Foreign particles in the gas line may cause an orange flame at first, but this will soon disappear.

NOTE: For the 15,000 BTU/HR burner (on some models) the cooktop burner knob should be turned to the setting before the lowest setting. This will ensure that the entire burner is operating.

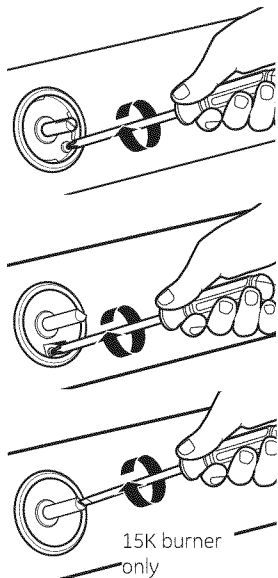
- B** Turn the cooktop burner knob to the lowest setting while observing the flame.

Adjust the low flame setting using the valve bypass screw as follows:

Low-setting adjustments must be made with two other burners in operation on a medium setting. This prevents the low flame from being set too low, resulting in the flame being extinguished when other burners are turned on.

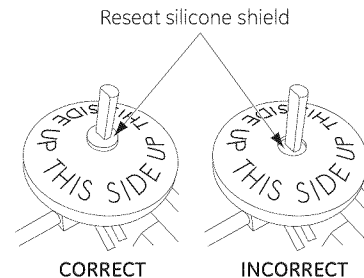
- C** To adjust the flame, remove the knobs. Insert a screwdriver through the access hole in valve switch. Engage adjustment screw in valve. Refer to the illustration below that matches the adjustment screw location for your model.

- If the flames were too small or fluttered, open the valve more than the original setting.
- If the flames blew away from the burner, close the valve more than the original setting.



- D** Make the adjustment by slowly turning the screw until flame appearance is correct.

Note: Some models may contain a *silicone shield* which covers the valve switch and access hole. A flashlight may be required to locate the access hole. To access the valve adjusting screw, push the screwdriver through this shield. After adjustment, **reseat the shield around the switch hub with your fingers**, after withdrawing the screwdriver.



- E** Testing Flame Stability:

Test 1 – Turn the knob from “HI” to the lowest setting quickly. If the flame goes out at the lowest setting, increase the flame size and test again.

Test 2 – With the burner on the lowest setting, open and close the cabinet door under the cooktop. If the flame is extinguished by the air currents created by the door movement, increase the flame height and test again.

- F** Flame Recheck:

After the adjustment is made, turn all burners off. Ignite each burner individually. Observe the flame at the “HI” position. Rotate the valve to the lowest setting and be sure that the flame size decreases as the valve is rotated counterclockwise.

TO CONVERT THE COOKTOP BACK TO NATURAL GAS, REVERSE THE STEPS UNDER MAKING THE LP CONVERSION.

Once the conversion is complete and checked ok, fill out the LP sticker and include your name, organization and date conversion was made. Apply the sticker near the cooktop gas inlet opening to alert others in the future that this appliance has been converted to LP gas. If converting back to natural gas from LP, please remove the sticker so others know the appliance is set to use natural gas.

Instructions d'installation

Table de cuisson scellée au gaz de 76 cm (30")

JGP329, JGP333, JGP940, PGP943

 Questions? Appelez le Centre de réponse 1.800.561.3344 ou visitez notre site
Web à l'adresse : www.electromenagersge.ca

AVANT DE COMMENCER

Avant de commencer, lisez attentivement la totalité de ces instructions.

- **IMPORTANT** – Conservez ces instructions pour votre inspecteur local.
- **IMPORTANT** – Respectez toutes les ordonnances et les codes locaux.
- Note à l'installateur – Assurez-vous de laisser ces instructions au consommateur.
- Note au consommateur – Conservez ces instructions pour référence future.
- La garantie ne couvre aucune panne due à une mauvaise installation.

AVERTISSEMENT –

Cet appareil doit être bien mis à la terre.

- **IMPORTANT** – Vous devez vérifier que cet appareil n'ait pas de fuite conformément aux instructions du fabricant.
- L'installateur est responsable d'une bonne installation et la garantie ne couvre aucune panne due à une mauvaise installation.

 **AVERTISSEMENT** – Débranchez tout courant électrique au niveau du disjoncteur de la maison ou de la boîte à fusibles avant d'installer.

POUR VOTRE SÉCURITÉ

AVERTISSEMENT –

Si vous ne suivez pas exactement les instructions de ce manuel, vous risquez d'occasionner un incendie, une explosion ou une fuite de gaz, qui peuvent provoquer des dommages matériels, des blessures corporelles ou la mort.

Ne conservez pas ou n'utilisez jamais d'essence ou d'autres liquides ou vapeurs inflammables à proximité de cet appareil ou de tout autre appareil ménager!

Ne pas installer ce produit si l'on utilise une hotte à rideau d'air ou une hotte de cuisinière soufflant l'air au-dessus de la surface de cuisson. Le débit d'air peut nuire au fonctionnement des brûleurs à gaz et représente un risque d'incendie ou d'explosion.



CI QUE VOUS DEVEZ FAIRE SI VOUS SENTEZ LE GAZ :

- N'essayez jamais d'allumer un appareil électroménager. Ne touchez à aucun commutateur d'électricité, n'utilisez jamais un téléphone dans votre bâtiment.
- Appelez immédiatement votre fournisseur de gaz à l'aide du téléphone d'un voisin. Suivez les instructions de votre fournisseur de gaz.
- Si vous ne pouvez pas entrer en contact avec votre fournisseur de gaz, appelez les pompiers.

L'installation et le service de votre table de cuisson doivent être faits par un installateur qualifié, un technicien de service ou votre fournisseur de gaz.

Instructions d'installation

INSTRUCTIONS IMPORTANTES DE SÉCURITÉ

La conception de votre table de cuisson a été approuvée par l'ACNOR International. Vous trouverez des précautions à prendre en matière de sécurité dans votre Guide d'utilisation et de soins. Lisez-les attentivement.

- L'installation de votre table de cuisson doit se conformer aux codes locaux ou, en l'absence de codes locaux, au National Fuel Gas Code, ANSI Z223.1/NFPA 54 Dernière édition.
- Assurez-vous que votre table de cuisson soit bien installée par un installateur qualifié ou un technicien de service.
- Pour éliminer tout mouvement corporel au dessus des brûleurs de votre table de cuisson, évitez de placer des armoires de cuisine au dessus des brûleurs.
- N'installez jamais votre appareil près d'une porte d'entrée ou dans un emplacement où un courant d'air peut gêner son usage.

BESOINS D'ÉLECTRICITÉ

Cet appareil ménager doit être livré avec le bon voltage et la bonne fréquence et branché à son propre circuit de dérivation bien mis à la terre, protégé par un disjoncteur ou un fusible qui ont l'ampérage noté sur la plaque minéralogique de votre appareil.

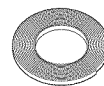
Nous vous recommandons de faire brancher le câblage électrique et la fiche de votre cuisinière par un électricien qualifié. Après l'installation, demandez à l'électricien de vous montrer l'emplacement de votre coupe-circuit principal.

Demandez à votre entreprise de services publics les codes électriques en vigueur dans votre région. En ne câblant pas votre cuisinière conformément aux codes en vigueur, vous provoquez une situation dangereuse. En l'absence de codes, vous devez câbler et isoler votre cuisinière conformément aux exigences du Canadian Electrical Code.

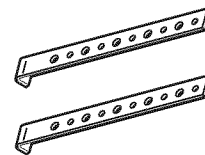
PIÈCES COMPRISES



2 vis



Bandes de mousse (Pour les modèles à surface en verre seulement)

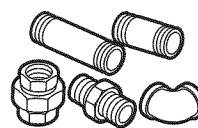


2 Supports de fixation

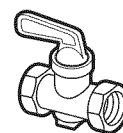
MATÉRIAUX DONT VOUS POUVEZ AVOIR BESOIN



Agent de scellement de tuyau



Raccords de tuyaux



Robinet d'alimentation de gaz



Raccord flexible de gaz approuvé par l'ACNOR
DI min 3/8", Jonction NPT 1/2

OUTILS DONT VOUS AUREZ BESOINS



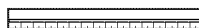
Crayon



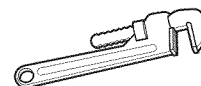
Scie sauteuse



Tournevis Phillips



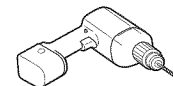
Règle ordinaire ou de vérification



Clé à tuyau



Lunettes de sécurité

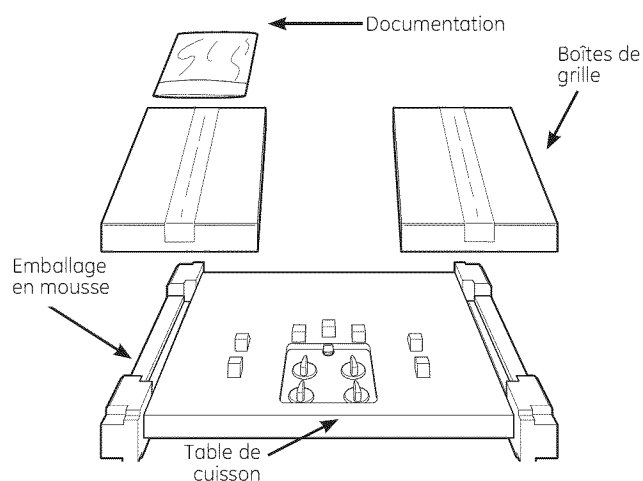


Perceuse à main ou électrique et foret de 1/8po

Instructions d'installation

LISTE DE VÉRIFICATION AVANT INSTALLATION

- A** Pour préparer l'ouverture de la surface de cuisson, vous devez vous assurer que l'intérieur de l'armoire ne touche pas la table de cuisson (consultez la section sur la préparation de l'ouverture).
- B** Enlevez les matériaux d'emballage, les boîtes de grille, le régulateur avec sa documentation et la documentation de votre table de cuisson avant de commencer à l'installer.



- C** Enlevez les instructions d'installation de la trousse de documentation et lisez-les soigneusement avant de commencer.

Assurez-vous de bien ranger toute la documentation, le manuel d'utilisation et d'entretien, etc. dans un endroit sûr pour référence future.

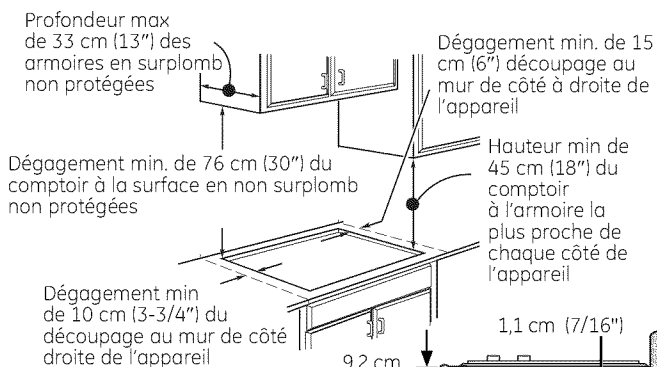


- D** Assurez-vous d'avoir tous les outils et tous les matériaux nécessaires avant de commencer à installer votre table de cuisson.
- E** Votre maison doit être alimentée en courant électrique adéquat pour vous permettre de bien utiliser en toute sécurité votre table de cuisson. (Consultez la section sur les besoins d'électricité.)
- F** Pour installer votre table de cuisson dans votre maison, assurez-vous de vous conformer scrupuleusement à tous les codes et à toutes les ordonnances locales.
- G** Assurez-vous que les revêtements de mur, le comptoir et les armoires autour de la table de cuisson puissent supporter la chaleur [pouvant atteindre 93°C (200°F)] produite par la table de cuisson.

Instructions d'installation

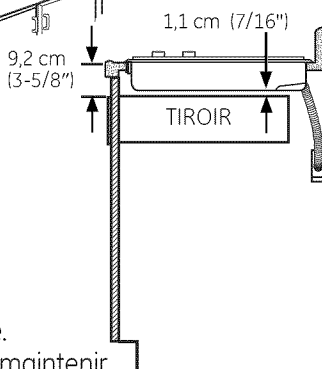
PRÉPARATION DE L'OUVERTURE

1 VOUS DEVEZ RESPECTER LES DÉGAGEMENTS MINIMAUX SUIVANT

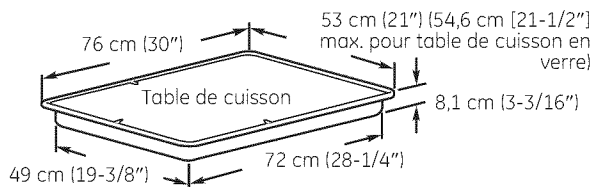


REMARQUE : Laissez un dégagement vertical minimum de 1,1 cm (7/16 po) entre le dessus de la table de cuisson (ou une profondeur minimum de 9,2 cm (3-5/8 po) et toute surface combustible, par exemple un tiroir d'armoire.

Pour une installation en îlot, maintenir une distance minimum de 6,3 cm (2 1/2 po) entre le bord et le dos du comptoir. Garder un espace de 7,6 cm (3 po) minimum sur les côtés du comptoir.

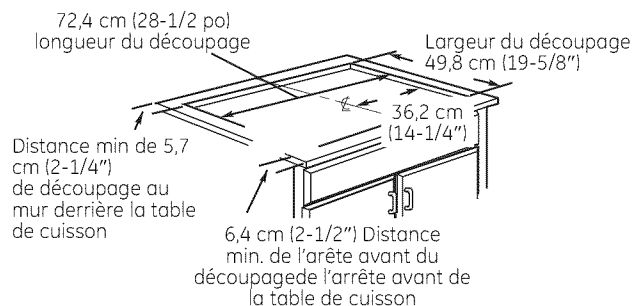


2 DIMENSIONS DU DÉCOUPAGE DE LA TABLE DE CUISSON

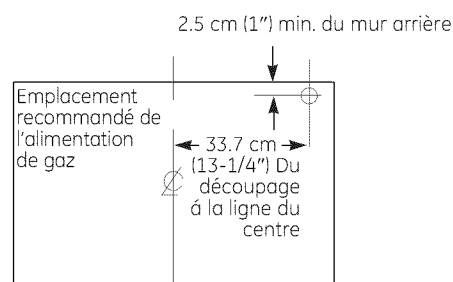


3 DIMENSIONS TOTALES DE LA TABLE DE CUISSON

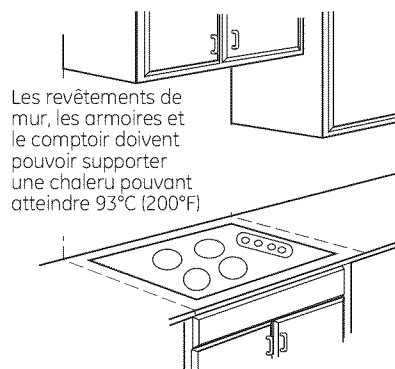
Pour assurer la justesse du découpage, il vaut mieux faire un gabarit pour couper l'ouverture dans le comptoir.



4 EMBLACEMENT RECOMMANDÉ DE L'ALIMENTATION DE GAZ À PARTIR DU MUR ARRIÈRE

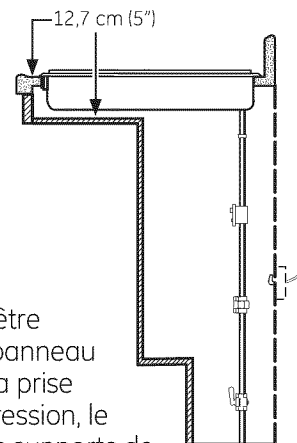


5 ASSUREZ-VOUS QUE LES REVÊTEMENTS MUR, LE COMPTOIR ET LES ARMOIRES AUTOUR DE LA TABLE DE CUISSON PUISSENT SUPPORTER LA CHALEUR (POUVANT ATTEINDRE 93°C [200°F])



6 INSTALLATION POUR PERSONNE HANDICAPÉE SEULEMENT (É.-U.) DISABILITIES ACT FORWARD APPROACH :

Laissez une profondeur minimum de 12,7 cm (5 po) entre la table de cuisson et une enceinte.



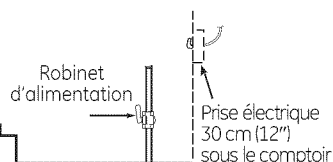
REMARQUE : L'enceinte doit être construite en bois. Aussi, un panneau d'accès est nécessaire pour la prise électrique, le régulateur de pression, le robinet de sectionnement, les supports de retenue et l'entretien ou les réparations.

Instructions d'installation

INSTALLATION LA UNITÉ DE LA TABLE DE CUISSON

1 PLACEZ LA PRISE D'ALIMENTATION ÉLECTRIQUE ET LE ROBINET D'ALIMENTATION DE GAZ AU-DESSOUS DE L'ARMOIRE

N'UTILISEZ JAMAIS DES RACCORDS USAGÉS POUR INSTALLER CET APPAREIL.

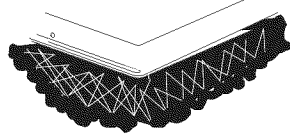


Montez le robinet d'alimentation manuel sur le tuyau de gaz à un emplacement facile à atteindre en dehors de la table de cuisson. Assurez-vous de savoir où et comment couper l'alimentation de gaz à la table de cuisson. Montez la prise électrique 30 cm (12") au-dessous du comptoir.

2 PROTÉGEZ LA SURFACE DE LA TABLE DE CUISSON

Placez une serviette ou un torchon sur le comptoir. Posez la table de cuisson à l'envers sur la surface protégée.

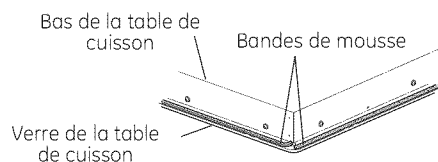
Envers de la table de cuisson



Linge sous la table de cuisson

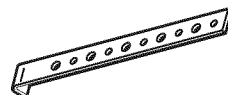
3 ATTACHEZ LA BANDE DE MOUSSE (modèles de la table de verre seulement)

Appliquez la bande de mousse autour du bord extérieur du verre. Ne superposez pas les bandes de mousse.



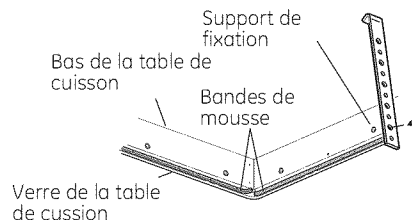
4 TROUVEZ LES PIÈCES DE MONTAGE

Retirez les supports de fixation de la trousse de documentation.



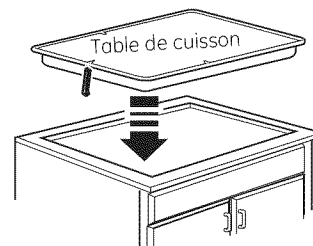
5 FIXEZ LES SUPPORTS DE FIXATION À LA TABLE DE CUISSON

Enlevez la vis d'un côté de la table de cuisson, vissez un support de fixation à un côté de la table de cuisson. Répétez la même opération de l'autre côté de la table de cuisson.



6 INSÉREZ LA TABLE DE CUISSON DANS L'OUVERTURE DÉCOUPÉE

Insérez la table de cuisson centrée dans l'ouverture découpée. Assurez-vous que l'arrête de devant du comptoir soit bien parallèle à l'extrémité de la surface de cuisson. Faites une vérification finale pour vous assurer de bien respecter tous les dégagements.



Une fois la table de cuisson en place, vissez les supports de fixation aux côtés de l'armoire pour tenir la table de cuisson bien en place.

INSTALLATION—BRANCHEMENT DU GAZ

1 FOURNISSEZ UN BON APPROVISIONNEMENT EN GAZ

Cette table de cuisson est conçue pour fonctionner au gaz naturel à une pression de tubulure d'admission de 4 po. de colonne d'eau et à une pression d'approvisionnement de 7 po. de colonne d'eau. Elle est expédiée de l'usine réglée pour le gaz naturel. Le régulateur de pression convertible fourni avec l'appareil doit être branché en série à la tubulure d'admission de la table de cuisson et doit rester branché sur la ligne d'approvisionnement qu'il s'agisse de gaz naturel ou de gaz propane (LP). **POUR OBTENIR UN BON FONCTIONNEMENT, LA PRESSION MAXIMALE D'ENTRÉE AU RÉGULATEUR NE DOIT PAS ÊTRE SUPÉRIEURE À 14 po. DE COLONNE D'EAU.** Pour vérifier le régulateur, la pression d'entrée doit être au moins de 1 po. de colonne d'eau (ou 3,4 KPA) plus grande que celle de réglage de sortie du régulateur. Si le régulateur est réglé à une pression de 4 po. de colonne d'eau, la pression d'entrée doit être au moins égale à 5 po.. Si le régulateur est réglé à une pression de 10 po., la pression d'entrée doit être au moins égale à 11 po. La ligne d'approvisionnement de gaz à la table de cuisson doit être un tuyau de 1/2 po. ou de 3/4 po.

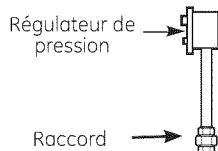
2 INSTALLEZ LE RÉGULATEUR

N'utilisez jamais de vieux raccords quand vous installez votre table de cuisson..

⚠ AVERTISSEMENT :

N'utilisez jamais des raccords flexibles usagés. L'utilisation de raccords flexibles usagés peut occasionner des fuites de gaz et des blessures corporelles. Utilisez toujours des raccords flexibles neufs quand vous installez un appareil à gaz.

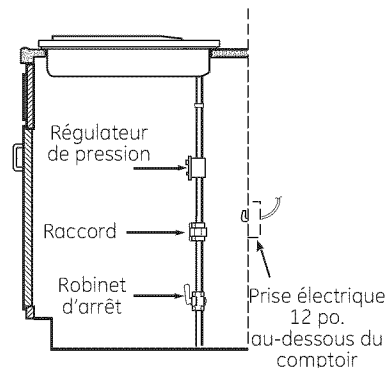
Vissez une section du tuyau dans l'extrémité d'entrée du régulateur de pression et installez le raccord.



Pour réduire la possibilité de fuites de gaz, posez un ruban de téflon ou mettez de la graisse pour filetage approuvée pour le gaz naturel ou butane sur tous les raccords filetés.

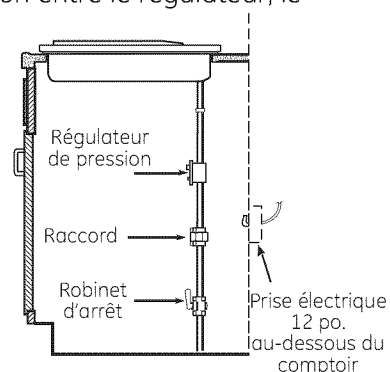
3 INSTALLEZ LE RÉGULATEUR EN BAS DE LA BOÎTE DE BRÛLEURS

Vissez le régulateur dans le raccord du bas de la boîte de brûleurs. Assurez-vous que le haut du régulateur soit face à l'avant de l'armoire, et soit facilement accessible à partir des portes de l'armoire.



4 TERMINEZ LE RACCORDEMENT AVEC UN RACCORD

Complétez la connexion entre le régulateur, le raccord et le robinet d'arrêt.



Instructions d'installation

5 VÉRIFIEZ QU'IL N'Y A PAS DE FUITE

Avant de vérifier qu'il n'y a pas de fuite, assurez-vous que tous les boutons de brûleurs soient en position OFF (arrêt).

Après avoir branché la table de cuisson au gaz, vérifiez qu'il n'y a pas de fuite dans le système à l'aide d'un manomètre. Si vous n'avez pas de manomètre, ouvrez l'approvisionnement de gaz à la table de cuisson et utilisez un détecteur de fuite liquide à tous les raccords et joints pour trouver les fuites.

Resserrez tous les raccords le cas échéant pour arrêter les fuites de gaz de la table de cuisson ou de la ligne d'approvisionnement.

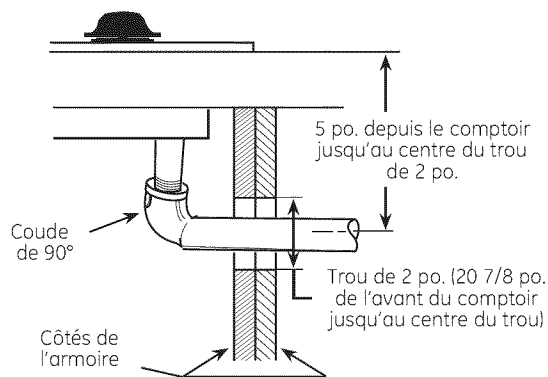
N'UTILISEZ JAMAIS DE FLAMME POUR VÉRIFIER LES FUITES!

Débranchez la table de cuisson et son robinet d'arrêt du système de tuyau d'alimentation en gaz avant de procéder à un essai de pression de ce système à des pressions de test supérieures à 1/2 psig (3,5 kPa).

Isolez la table de cuisson du système de tuyau d'alimentation en gaz avant de procéder à un essai de pression du système d'alimentation en gaz à des pressions de test égales ou inférieures à 1/2 psig (3,5 kPa).

6 INSTALLATION SUR UN FOUR ENCASTRÉ

Consultez l'installation du four encastré pour y trouver les instructions d'installation.



INSTALLATION—RACCORDS ÉLECTRIQUES

⚠ AVERTISSEMENT — Débranchez tout courant électrique au niveau du disjoncteur de la maison ou de la boîte à fusibles avant d'installer.

1 RALLONGES

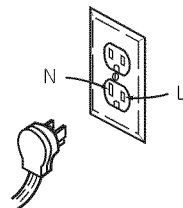
À cause du danger qu'elles font courir dans certaines conditions, nous vous recommandons instamment de ne pas utiliser de rallonge. Cependant, si vous devez utiliser une rallonge, il faut absolument qu'elle soit homologuée UL, triphasée à trois fils pour appareil électroménager et que sa capacité électrique en ampères soit équivalente ou supérieure à celle du circuit électrique. Vous pourrez trouver une telle rallonge chez votre revendeur d'appareils électroménagers.

IMPORTANT : (Veuillez lire avec soin)
POUR VOTRE SÉCURITÉ PERSONNELLE, VOUS DEVEZ BIEN METTRE À LA TERRE CET APPAREIL.

2 ALIMENTATION ÉLECTRIQUE ET PRISE

Vous devez utiliser une bonne alimentation électrique et une bonne prise pour faire fonctionner les éléments électriques de votre table de cuisson.

- A** Le cordon d'alimentation de votre appareil est muni d'une fiche à trois broches (avec mise à la terre) qui doit être utilisée dans une prise électrique bien mise à la terre, qui alimente en courant ménager CA normal de 120 volts, 60 cycles.
- B** Si vous n'avez pas de prise triphasée, demandez à un électricien qualifié de changer votre ancienne prise.
- C** Vous aurez besoin d'une fiche d'adaptation de mise à la terre pour convertir votre ancienne prise jusqu'à son remplacement. Cette méthode est temporaire et un électricien qualifié doit tester votre installation pour s'assurer qu'elle se conforme aux exigences.



Assurez une bonne mise à la terre et un bon contact avant l'usage

3 PRISE BIPHASÉE

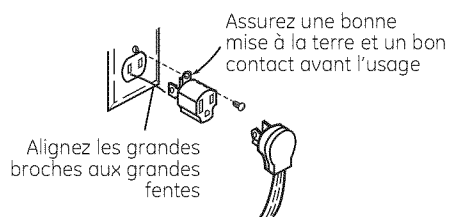
Si vous avez une prise normale biphasée, c'est la responsabilité et l'obligation personnelle du client de la faire remplacer par une prise murale triphasée bien mise à la terre.

Ne coupez ou ne retirez jamais, en aucun cas, la broche de mise à la terre du cordon d'alimentation de la table de cuisson. Si vous ne mettez pas bien votre appareil à la terre, vous pouvez créer une situation dangereuse.

INSTALLATION—RACCORDS ÉLECTRIQUES (SUITE)

4 SITUATION D'UTILISATION OÙ LE CORDON D'ALIMENTATION D'UN APPAREIL ÉLECTROMÉNAGER EST INFRÉQUEMMENT DÉBRANCHÉ

Pour un circuit électrique de 15 ampères uniquement. N'utilisez jamais de fiche d'adaptation sur un circuit de 20 ampères. Quand les codes locaux le permettent, vous pouvez établir UN CONTACT TEMPORAIRE avec une prise murale biphasée bien mise à la terre en utilisant une fiche d'adaptation homologuée UL en vente dans la plupart des quincailleries. La broche la plus grande de l'adaptateur doit être alignée à la plus grande fente de la prise murale pour obtenir une bonne polarité avec le cordon d'alimentation.



Méthode temporaire
(les fiches d'adaptation ne sont pas autorisées au Canada)

▲ MISE EN GARDE : Si vous fixez la broche de mise à la terre de l'adaptateur à une vis du couvercle de la prise murale, cela ne met pas à la terre l'appareil, à moins que la vis soit en métal et ne soit pas isolée et que la prise murale soit mise à la terre par l'intermédiaire du câblage de la maison. Vous devez faire vérifier le circuit par un électricien qualifié pour vous assurer que la prise est bien mise à la terre.

Quand vous débranchez le cordon d'alimentation d'un appareil, tenez toujours l'adaptateur à la main. Si vous ne le faites pas, vous casserez probablement la broche de mise à la terre de l'adaptateur par un usage répété. Si cela se produit, N'UTILISEZ JAMAIS l'appareil avant de bien le remettre à la terre.

Situations d'utilisation où le cordon d'alimentation d'un appareil électroménager est fréquemment débranché.

N'utilisez jamais un adaptateur dans cette situation, car en débranchant le cordon d'alimentation, vous faites subir une tension imprévue à l'adaptateur et cela risque de provoquer une panne de sa mise à la terre. Le client doit faire remplacer sa prise biphasée par une prise triphasée par un électricien qualifié avant d'utiliser son appareil.

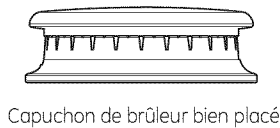
BRÛLEURS DE LA TABLE DE CUISSON

1 ASSEMBLEZ LES BRÛLEURS DE LA TABLE DE CUISSON

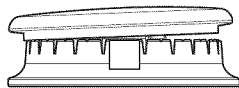
L'électrode de l'allumeur est exposée. Faites attention de ne pas pousser un contrôle de la table de cuisson quand le haut du brûleur est enlevé. N'enlevez jamais le haut d'un brûleur ou son électrode quand un autre brûleur est allumé. Cela risque de produire une secousse électrique.

A Remettez en place la tête de brûleur sur la base du brûleur, en vous assurant que la tête soit bien orientée sur la base de brûleur et l'électrode. Assurez-vous de bien mettre la bonne tête de brûleur sur la bonne base de brûleur et de bien mettre horizontalement la tête de brûleur sur sa base. Les têtes de brûleur ne sont pas interchangeables.

B Placez les capuchons de brûleur sur les têtes de brûleur, en vous assurant de mettre le bon capuchon de brûleur sur la bonne tête de brûleur. Les capuchons de brûleur ne sont pas interchangeables. Assurez-vous que les capuchons de brûleur tiennent bien sur les têtes de brûleur.

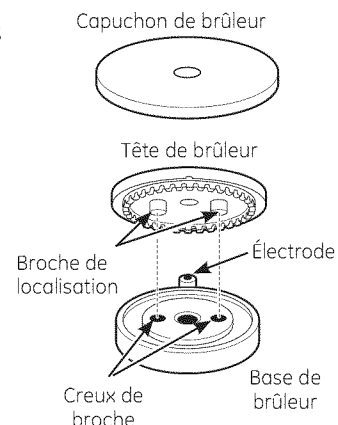


Capuchon de brûleur bien placé

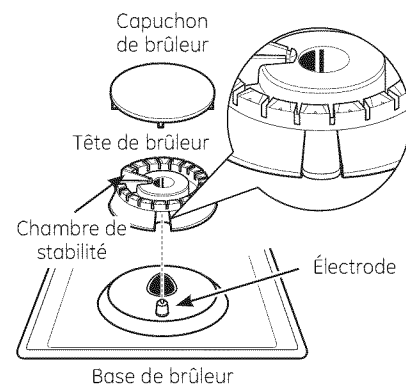


Capuchon de brûleur pas bien placé

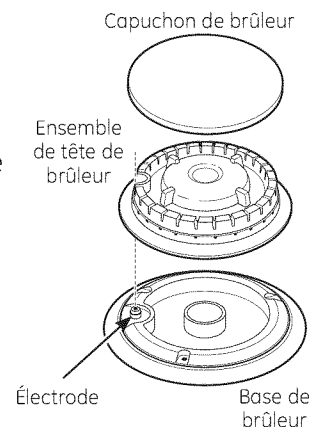
C Assurez-vous que les broches des têtes de brûleur correspondent aux creux de la base de brûleur et qu'elles tiennent bien sur elles en tournant les têtes jusqu'à ce qu'elles soient bien horizontales.



Assurez-vous que la fente de la tête de brûleur soit bien placée sur l'électrode. Le capuchon de brûleur a trois ou quatre broches. Quand vous remettez en place le capuchon, assurez-vous qu'aucune broche ne repose sur la chambre de stabilité.



Assurez-vous que le trou de l'ensemble de tête de brûleur soit bien placé sur l'électrode de manière à ce que la tête de brûleur pénètre bien dans la base de brûleur. Un petit espace libre entre la base et la tête est normal.



Instructions d'installation

2 VÉRIFIEZ LES ALLUMEURS

Vous devez vérifier le fonctionnement des allumeurs électriques après vous être soigneusement assuré que la table de cuisson et la ligne d'approvisionnement n'ont pas de fuite et que la table de cuisson est bien branchée au courant électrique.

Sur les modèles qui sont ainsi équipés, assurez-vous que la table de cuisson soit en position UNLOCKED (déverrouillée).

A Appuyez sur un robinet de brûleur et tournez-le en position LITE (allumage). Tous les allumeurs feront une série d'étincelles (crépitement) mais, seul, le brûleur en position LITE (allumage) s'allumera.

- Le brûleur doit s'allumer quand du gaz lui parvient.
- Quand le brûleur s'allume, vous devez l'enlever de sa position LITE (allumage).

B Essayez tous les robinets pour vérifier le fonctionnement de tous les brûleurs.

3 ALLUMAGE DES BRÛLEURS

Allumage de la table de cuisson – Quand vous mettez le bouton de la table de cuisson en position LITE (allumage), l'allumeur fait une série d'étincelles (crépitement) pour allumer le brûleur. Pendant une panne de courant, les brûleurs ne s'allument pas automatiquement. En cas d'urgence, allumez un brûleur de la table de cuisson à l'aide d'une allumette en suivant les étapes suivantes :

⚠ AVERTISSEMENT : Il est dangereux d'allumer des brûleurs à gaz à l'aide d'une allumette. Vous ne devez allumer des brûleurs à l'aide d'une allumette qu'en cas d'urgence.

Sur les modèles ainsi équipés, vérifiez que la table de cuisson soit en position UNLOCKED (déverrouillée).

A Allumez une allumette et approchez la flamme du brûleur que vous voulez allumer. Il vaut mieux utiliser une allumette en bois.

B Poussez et tournez doucement le bouton de contrôle. Assurez-vous de tourner le bouton de contrôle qui correspond au brûleur que vous voulez allumer.

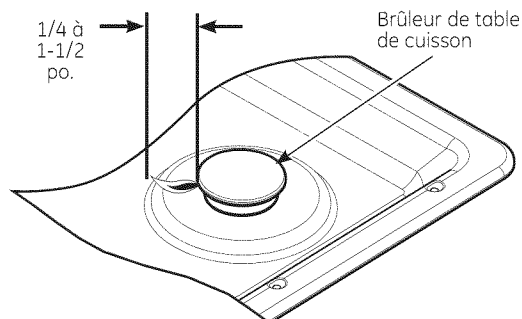
NOTE: Si le brûleur ne s'allume pas en cinq secondes, tournez le bouton en position OFF (arrêt) et attendez une minute avant d'essayer à nouveau.

Instructions d'installation

BRÛLEURS DE LA TABLE DE CUISSON (SUITE)

4 LES FLAMMES DU BRÛLEUR

Allumez chaque brûleur. Les flammes doivent être bleu sans trace de jaune. Les flammes du brûleur ne doivent pas scintiller ou s'écarter du brûleur. La flamme ne peut pas être plus petite que 1/4 po. en réglage le plus bas et ne doit pas être plus grande que 1-1/2" po. en réglage le plus haut.

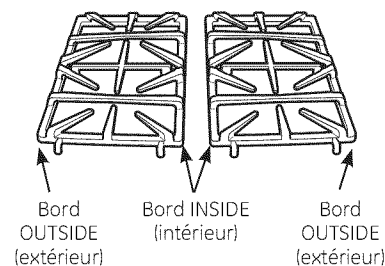


Vous devez vérifier fréquemment les brûleurs

⚠ AVERTISSEMENT : Si vous essayez de mesurer la flamme, faites bien attention. Vous pouvez vous brûler.

5 GRILLES DE BRÛLEUR

Les grilles de brûleur sont conçues pour leur emplacement particulier. Pour obtenir une stabilité maximum, vous ne pouvez utiliser ces grilles qu'en bonne position : vous ne pouvez pas les changer de place. Pour faciliter leur utilisation, l'extérieur des grilles de gauche et de droite est marqué OUTSIDE (extérieur) et INSIDE (intérieur). Assurez-vous que le côté marqué OUTSIDE (extérieur) soit vers l'extérieur de votre table de cuisson.



LISTE DE VÉRIFICATION DE FONCTIONNEMENT

- A** Assurez-vous que tous les contrôles restent en position OFF (arrêt). Vérifiez que la table de cuisson soit en position UNLOCKED (déverrouillée) (sur les modèles ainsi équipés).
- B** Assurez-vous que la circulation d'air autour de la table de cuisson ne soit pas gênée.
- C** La plaque minéralogique de votre table de cuisson est située en bas de la boîte de brûleurs. En plus des numéros de modèle et de série, elle indique la cote des brûleurs, et la catégorie de carburant et la pression de votre table de cuisson au départ de la fabrique.
- D** Quand vous commandez des pièces, indiquez toujours le numéro de série, le numéro de modèle et les lettres de code pour obtenir les bonnes pièces de rechange.
- E** Re-vérification : Vérifiez à nouveau pour vous assurer d'avoir bien suivi toutes les instructions de ce guide. Cela assure une bonne utilisation sécuritaire de la table de cuisson.

CONVERSION AU GAZ PROPANE (LP)

1 RENSEIGNEMENTS RELATIFS À LA SÉCURITÉ QUE VOUS DEVEZ CONNAÎTRE

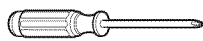
Les diaphragmes du régulateur de pression et du brûleur sont réglés pour le gaz naturel. Pour utiliser du gaz propane (LP), vous devez convertir les diaphragmes du régulateur de pression et du brûleur. Les orifices des éléments de gaz PL des brûleurs de la surface de cuisson sont rattachés aux régulateur de pression et accompagnés des instructions de conversion du gaz PL.

⚠ ATTENTION : La table de cuisson, au départ de l'usine, est réglée pour le gaz naturel. Si vous désirez utiliser votre table de cuisson avec du gaz en bouteille (LP), vous devez d'abord remplacer les diaphragmes, puis convertir le régulateur de pression.

⚠ AVERTISSEMENT : Cette conversion doit être effectuée par un installateur qualifié ou un fournisseur de gaz conformément aux instructions du fabricant et à tous les codes et exigences de l'autorité compétente. Si vous ne suivez pas ces instructions, vous risquez d'occasionner des blessures corporelles et des dommages matériels importants. L'agence qualifiée qui fait ce travail assume la responsabilité de la conversion.

⚠ ATTENTION : Les ajustements suivants doivent être effectués avant d'allumer le brûleur. Si vous ne les faites pas, vous risquez d'occasionner des blessures sérieuses. Assurez-vous que le régulateur de pression soit bien converti conformément à l'étape 2.

OUTILS NÉCESSAIRES À LA CONVERSION AU GAZ LP



Tournevis Phillips



Tourne-écrou de 7 mm



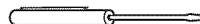
Pincettes



Tournevis à tête de Torx No 15



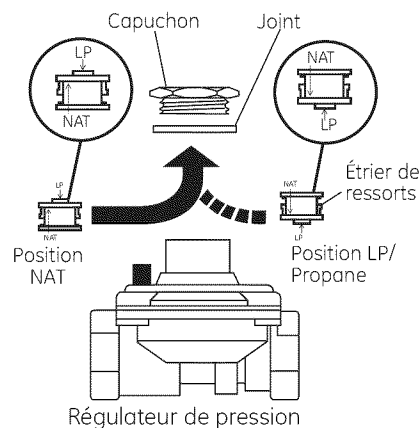
Lunettes de sécurité



Petit tournevis à tête plate (tête de 4 mm ou 5/32 po., 60 mm. ou 2 3/8 po de long)

2 AJUSTEZ VOTRE PLAQUE DE CUISSON À UN USAGE AU GAZ LP

- A** Débranchez tout le courant électrique, au niveau du disjoncteur principal ou de la boîte à fusibles.
- B** Coupez l'approvisionnement de gaz à la table de cuisson en fermant à la main le robinet d'arrêt.
- C** Ajustez le régulateur de pression en suivant les instructions suivantes :
 - Dévissez le capuchon.
 - Trouvez, sur l'étrier de ressorts, les positions NAT (gaz naturel) et LP (gaz propane).



- Tournez l'étrier de ressorts de 90 degrés, retirez-le du capuchon, tournez l'étrier de ressorts jusqu'à ce que LP apparaisse, réinsérez-le dans le capuchon, puis tournez-le de 90 degrés en position.
- Revissez le capuchon sur le régulateur et serrez.

Instructions d'installation

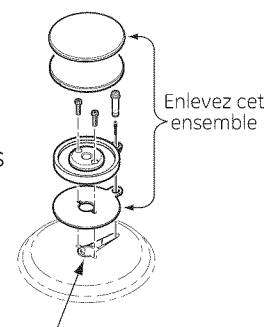
CONVERSION AU GAZ PROPANE (LP) (SUITE)

3 CHANGEZ LES DIAPHRAGMES DES BRÛLEURS DE LA TABLE DE CUISSON

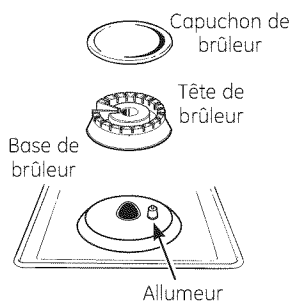
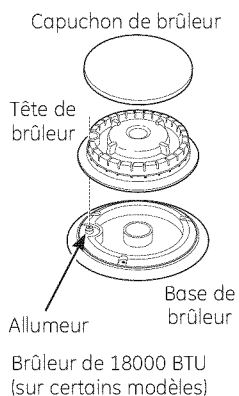
A Enlevez les grilles du haut, les capuchons de brûleur et les têtes de brûleur.

B Enlevez les allumeurs des bases de brûleur (si c'est nécessaire pour atteindre les diaphragmes). À l'aide d'un tournevis à tête de "Torx" No 15, enlevez les vis qui tiennent la base de brûleur en position.

C À l'aide d'un tourne-écrou de 7 mm., enlevez les diaphragmes du brûleur du haut. Vous pouvez les atteindre en passant par le trou de la table de cuisson.

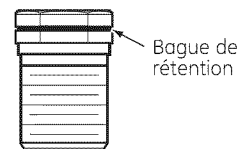


Goujon diaphragme accessible par cette ouverture.

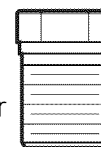


3 CHANGEZ LES DIAPHRAGMES DES BRÛLEURS DE LA TABLE DE CUISSON (SUITE)

Sur la plupart des brûleurs, les diaphragmes ont une bague de rétention à ressort autour de la tête hexagonale pour retenir le diaphragme dans le tourne-écrou pendant l'installation et l'enlèvement. Il faut exercer un peu de force pour pousser le tourne-écrou vers le bas de la bague.



NOTE: Dans le cas de diaphragmes non dotés d'une bague de retenue à ressort, utilisez une pince pour maintenir le diaphragme en position pendant le vissage initial du filetage ou lors du dévissage final, de façon à éviter d'échapper le diaphragme dans la surface de cuisson. Pour le reste, utilisez un tournevis à douille pour serrer ou desserrer.



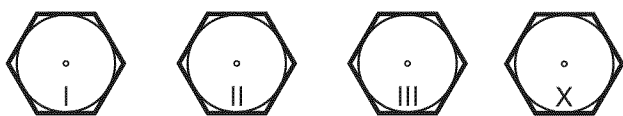
Instructions d'installation

3 CHANGEZ LES DIAPHRAGMES DES BRÛLEURS DE LA TABLE DE CUISSON (SUITE)

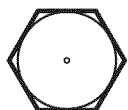
- D** Repérez les orifices PL fixés au régulateur de pression et accompagnés des instructions de conversion du gaz PL. La taille est indiquée par un chiffre et le type de gaz par une lettre, sur le dessus ou le côté. (Important : Conservez les diaphragmes que vous avez enlevés de votre appareil pour une utilisation future.)

Chaque diaphragme indique une série de signes gravés (I, II, III, X ou rien) en haut.

Ces signes indiquent l'emplacement précis de chaque diaphragme sur le brûleur de la table de cuisson.



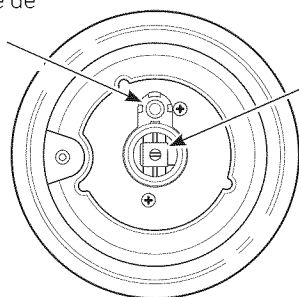
Brûleur de 15,000 BTU/HR (sur certaines modèles)



Le brûleur de 15 000 BTU/HR a deux diaphragmes qui portent des marques de côté seulement (consultez la plaque minéralogique en bas de votre appareil).

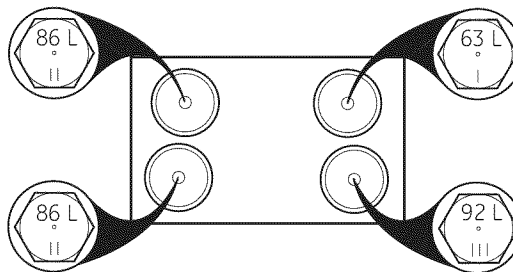
NOTE : Le diaphragme principal est situé en bas au centre du brûleur alors que le diaphragme de mijotage est situé plus haut derrière le centre du brûleur.

Diaphragme de mijotage

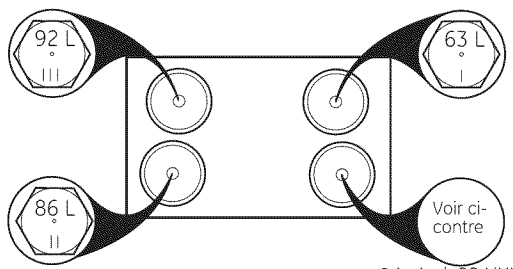


Diaphragme principal

JGP329

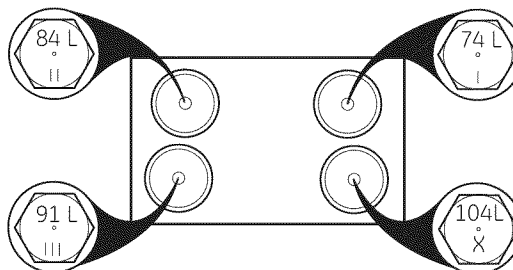


JGP333 & PGP943



Principal: 99 HXL
Mijotage: 34 SL

JGP940



- E** Installez les diaphragmes pour gaz LP à leur emplacement précis, conformément aux illustrations ci-dessus.
- F** Remettez les diaphragmes pour gaz naturel sur le support et fixez à nouveau le support et la feuille d'instructions au régulateur de pression à l'aide de la vis enlevée précédemment.
- G** Remettez en place les bases, les têtes, les capuchons de brûleur et les grilles du haut.
(NOTE : Quand vous fixez à nouveau les bases de brûleur aux appareils à table de cuisson en verre, vissez au maximum à une tension de 10 po.-lbs.)

CONVERSION AU GAZ PROPANE (LP) (SUITE)

4 AJUSTEZ LES FLAMMES DES BRÛLEURS

A Allumez tous les brûleurs au maximum et vérifiez les flammes. Elles doivent être bleu avec un peu de jaune à leur extrémité. Des particules étrangères dans la ligne de gaz peuvent occasionner une flamme orange au début, mais cette couleur doit disparaître rapidement.

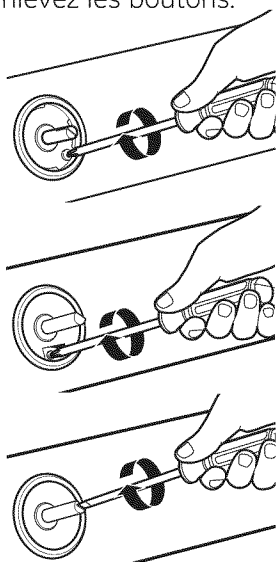
NOTE : Pour le brûleur de 15 000 BTU/HR (sur certains modèles), vous devez tourner le bouton du brûleur de la table de cuisson à son réglage normal avant son réglage le plus bas. Cela vous donnera l'assurance que le brûleur fonctionne dans sa totalité.

B Tournez le bouton du brûleur de la table de cuisson à son réglage le plus bas tout en observant la flamme.

Ajustez le réglage de flamme basse à l'aide de la vis de dérivation de robinet comme suit :

Vous devez ajuster le réglage de flamme basse avec deux autres brûleurs en fonctionnement en réglage moyen. Cela vous empêche de régler trop bas la flamme basse, et qui risque d'éteindre la flamme quand d'autres brûleurs sont en fonctionnement.

C Pour ajuster la flamme, enlevez les boutons. Insérez un tournevis dans commutateur de robinet en passant par le trou d'accès. Faites entrer la vis de réglage dans le robinet. Consultez l'illustration ci-dessous qui correspond à l'emplacement de la vis de réglage pour votre modèle.



Brûleur 15 000 BTU seulement

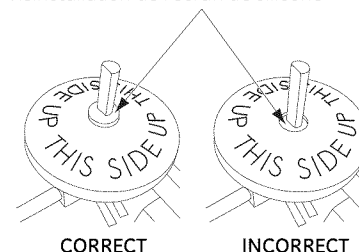
- Si les flammes sont trop petites ou si elles clignotent, ouvrez le robinet davantage que dans le réglage original.
- Si les flammes s'éloignent du brûleur, fermez le robinet davantage que dans le réglage original.

D Continuez à ajuster en tournant lentement la vis jusqu'à ce que les flammes soient normales.

Remarque : Quelques modèles sont équipés d'un écran en silicone recouvrant les volants et le trou d'accès. Une lampe de poche peut être nécessaire pour repérer le trou d'accès. Introduisez le tournevis par l'écran pour accéder à la vis de réglage de la soupape. Après le réglage, **réinstallez l'écran autour du moyeu de volant** avec vos doigts sans oublier de retirer le tournevis.

E Essai de stabilité de la flamme :

Réinstallation de l'écran de silicone



Essai 1 – Tournez rapidement le bouton de HI (température élevée) jusqu'au réglage le plus bas. Si la flamme s'éteint au réglage le plus bas, augmentez la taille de la flamme et essayez à nouveau.

Essai 2 – Mettez le brûleur à son réglage le plus bas, ouvrez et fermez la porte de l'armoire située au-dessous de la table de cuisson. Si la flamme s'éteint à cause du courant d'air créé par le mouvement de la porte, augmentez la taille de la flamme et essayez à nouveau.

F Nouvelle vérification des flammes : Après avoir ajusté, éteignez tous les brûleurs. Allumez chaque brûleur séparément. Observez les flammes en position HI (température élevée). Faites tourner le robinet jusqu'à son réglage le plus bas et assurez-vous que la taille de la flamme diminue quand vous tournez le robinet en sens inverse à celui des aiguilles d'une montre.

POUR RECONVERTIR LA TABLE DE CUISSON AU GAZ NATUREL, FAITES À L'ENVERS TOUTES LES ÉTAPES DE CONVERSION AU GAZ LP.

Quand vous avez terminé la conversion et avez vérifié que tout va bien, remplissez l'étiquette LP et inscrivez votre nom, le nom de votre organisme et la date de conversion. Collez l'étiquette près de l'ouverture d'entrée de gaz de la table de cuisson pour signaler aux autres que cet appareil a été converti au gaz LP. Si vous reconvertissez votre appareil au gaz naturel, enlevez l'étiquette pour signaler aux autres que cet appareil fonctionne au gaz naturel.