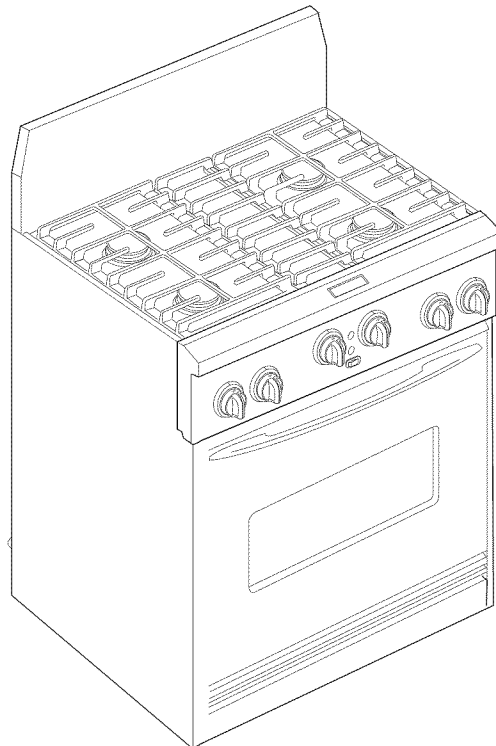


KitchenAid®

INSTALLATION INSTRUCTIONS
30" (76.2 CM) CLASSIC COMMERCIAL STYLE
DUAL FUEL CONVECTION RANGE
for residential use only

INSTRUCTIONS D'INSTALLATION
CUISINIÈRE À CONVECTION DE 30" (76,2 CM) -
STYLE CLASSIQUE COMMERCIAL À
BI-COMBUSTIBLE
pour utilisation résidentielle seulement

Table of Contents/Table des matières 2



IMPORTANT: Save installation instructions for local electrical inspector's use.

IMPORTANT : Conserver les instructions d'installation à l'usage de l'inspecteur local des installations électriques.

TABLE OF CONTENTS

RANGE SAFETY2

INSTALLATION REQUIREMENTS4

Tools and Parts4

Location Requirements4

Electrical Requirements - U.S.A. Only6

Electrical Requirements - Canada Only6

Gas Supply Requirements7

INSTALLATION INSTRUCTIONS8

Unpack Range.....8

Level Range.....8

Install Anti-Tip Bracket.....9

Make Electrical Connection - U.S.A. Only.....9

Attach Backguard or Island Trim10

Make Gas Connection11

Electronic Ignition System11

Reinstall Bottom Vent12

Complete Installation12

WIRING DIAGRAMS.....13

TABLE DES MATIÈRES

SÉCURITÉ DE LA CUISINIÈRE14

EXIGENCES D'INSTALLATION15

Outillage et pièces15

Exigences d'emplacement15

Spécifications de l'installation électrique17

Spécifications de l'alimentation en gaz18

INSTRUCTIONS D'INSTALLATION.....19

Déballage de la cuisinière19

Réglage de l'aplomb de la cuisinière19

Installation de la bride antibasculement20

Fixation du dossier ou de la garniture en îlot20

Raccordement à la canalisation de gaz.....21

Système d'allumage électronique.....21

Réinstallation de l'évent du fond.....22

Achever l'installation23

SCHÉMAS DE CÂBLAGE23

RANGE SAFETY

Your safety and the safety of others are very important.

We have provided many important safety messages in this manual and on your appliance. Always read and obey all safety messages.



This is the safety alert symbol.

This symbol alerts you to potential hazards that can kill or hurt you and others.

All safety messages will follow the safety alert symbol and either the word "DANGER" or "WARNING."

These words mean:

⚠ DANGER

You can be killed or seriously injured if you don't immediately follow instructions.

⚠ WARNING

You can be killed or seriously injured if you don't follow instructions.

All safety messages will tell you what the potential hazard is, tell you how to reduce the chance of injury, and tell you what can happen if the instructions are not followed.

WARNING: If the information in this manual is not followed exactly, a fire or explosion may result causing property damage, personal injury or death.

- Do not store or use gasoline or other flammable vapors and liquids in the vicinity of this or any other appliance.
- **WHAT TO DO IF YOU SMELL GAS:**
 - Do not try to light any appliance.
 - Do not touch any electrical switch.
 - Do not use any phone in your building.
 - Immediately call your gas supplier from a neighbor's phone. Follow the gas supplier's instructions.
 - If you cannot reach your gas supplier, call the fire department.
- Installation and service must be performed by a qualified installer, service agency or the gas supplier.

WARNING: Gas leaks cannot always be detected by smell.

Gas suppliers recommend that you use a gas detector approved by UL or CSA.

For more information, contact your gas supplier.

If a gas leak is detected, follow the "What to do if you smell gas" instructions.

In the State of Massachusetts, the following installation instructions apply:

- Installations and repairs must be performed by a qualified or licensed contractor, plumber, or gasfitter qualified or licensed by the State of Massachusetts.
- If using a ball valve, it shall be a T-handle type.
- A flexible gas connector, when used, must not exceed 3 feet.



⚠ WARNING

Tip Over Hazard

A child or adult can tip the range and be killed.

Connect anti-tip bracket to wall behind range.

Reconnect the anti-tip bracket, if the range is moved.

Failure to follow these instructions can result in death or serious burns to children and adults.

INSTALLATION REQUIREMENTS

Tools and Parts

Gather the required tools and parts before starting installation. Read and follow the instructions provided with any tools listed here.

Tools needed

- Tape measure
- Flat-blade screwdriver
- Phillips screwdriver
- Level
- Hand or electric drill
- Wrench or pliers
- Pipe wrench
- $\frac{15}{16}$ " combination wrench
- Marker or pencil
- Masking tape
- Pipe-joint compound resistant to LP gas
- Noncorrosive leak-detection solution
- Stud finder

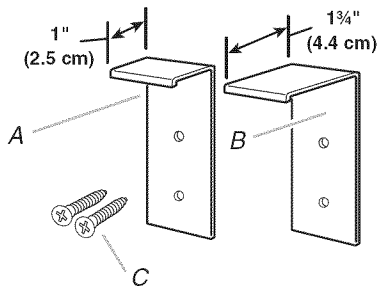
Parts needed

- A UL listed or CSA approved conduit connector
- UL listed wire connectors

Parts supplied

Check that all parts are included.

- Anti-tip bracket kit



A. Anti-tip bracket - 1" (2.5 cm)
B. Anti-tip bracket - 1 $\frac{3}{4}$ " (4.4 cm)
C. #10 x 2" Phillips head mounting screws (2)

NOTE: Anti-tip brackets must be securely attached to wall stud. Thickness of finished wall may require longer mounting screws to anchor bracket to wall. Longer mounting screws are available from your local hardware store. See "Install Anti-Tip Bracket" section.

- Backguard and attachment screws (7).

NOTE: The backguard included with the range is required if installed with less than 1" (2.5 cm) clearance from a combustible rear wall.

- Island trim and attachment screws (3).

NOTE: The island trim included with the range may be used if installed with 1" (2.5 cm) clearance from a combustible rear wall or with 0" (0 cm) clearance from a noncombustible rear wall.

- LP conversion kit.

NOTE: The cooktop is manufactured for use with Natural gas. To convert to LP gas, see the gas conversion instructions provided in the package containing literature.

Check local codes and consult gas supplier. Check existing gas supply and electrical supply. See "Electrical Requirements" and "Gas Supply Requirements" sections.

All electrical connections should be made by a licensed, qualified electrical installer.

Location Requirements

IMPORTANT: Observe all governing codes and ordinances. Do not obstruct flow of combustion and ventilation air.

- It is the installer's responsibility to comply with installation clearances specified on the model/serial rating plate. The model/serial rating plate is located on the right vertical surface of the oven door frame.
- It is recommended that a 600 CFM range hood be installed above the range.
- Recessed installations must provide complete enclosure of the sides and rear of the range.
- To eliminate the risk of burns or fire by reaching over heated surface units, cabinet storage space located above the surface units should be avoided. If cabinet storage is to be provided, the risk can be reduced by installing a range hood that projects horizontally a minimum of 5" (12.7 cm) beyond the bottom of the cabinets.
- All openings in the wall or floor where range is to be installed must be sealed.
- Do not seal the range to the side cabinets.
- Cabinet opening dimensions that are shown must be used. Given dimensions are minimum clearances.
- The wall anti-tip bracket must be installed. To install the anti-tip bracket shipped with the range, see "Install Anti-Tip Bracket" section.
- Grounded electrical supply is required. See "Electrical Requirements" section.
- Proper gas supply connection must be available. See "Gas Supply Requirements" section.
- Contact a qualified floor covering installer to check that the floor covering can withstand at least 200°F (93°C). Use an insulated pad or $\frac{1}{4}$ " (0.64 cm) plywood over carpet and under range if installing range over carpeting.

IMPORTANT: To avoid damage to your cabinets, check with your builder or cabinet supplier to make sure that the materials used will not discolor, delaminate or sustain other damage. This oven has been designed in accordance with the requirements of UL and CSA International and complies with the maximum allowable wood cabinet temperatures of 194° (90°C).

Mobile Home - Additional Installation Requirements

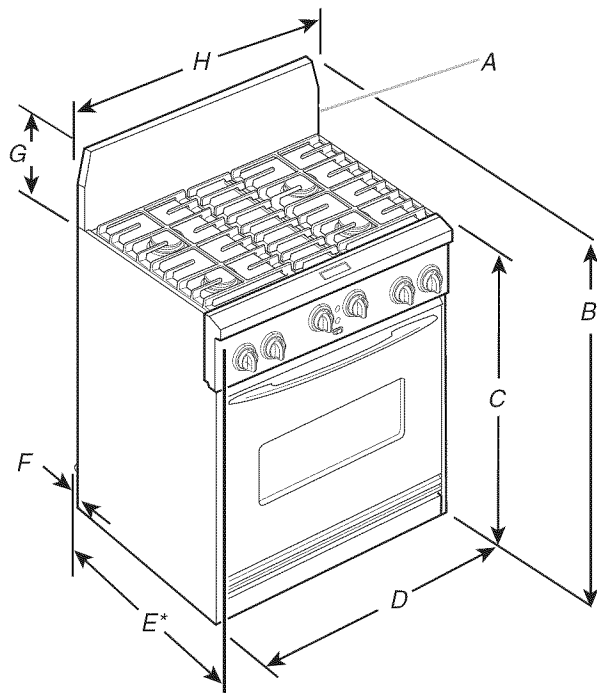
The installation of this range must conform to the Manufactured Home Construction and Safety Standard, Title 24 CFR, Part 3280 (formerly the Federal Standard for Mobile Home Construction and Safety, Title 24, HUD Part 280). When such standard is not applicable, use the Standard for Manufactured Home Installations, ANSI A225.1/NFPA 501A or with local codes.

In Canada, the installation of this range must conform with the current standards CAN/CSA-A240-latest edition, or with local codes.

Mobile home installations require:

- When this range is installed in a mobile home, it must be secured to the floor during transit. Any method of securing the range is adequate as long as it conforms to the standards listed above.

Product Dimensions



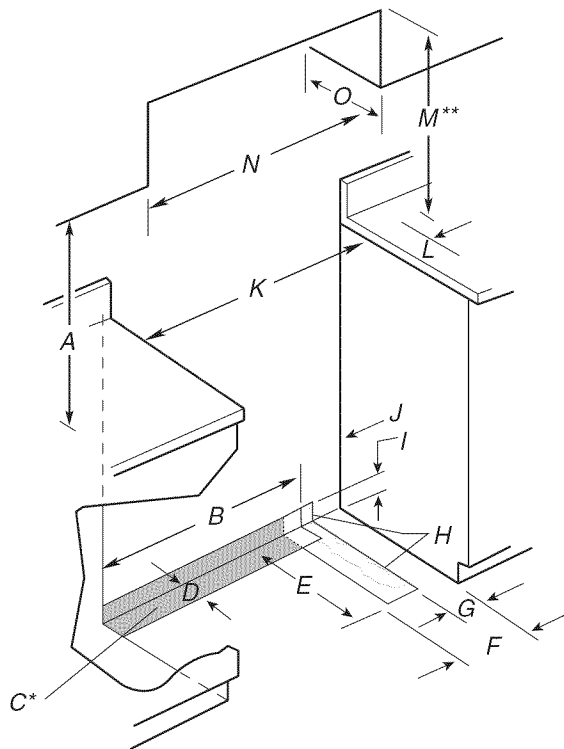
- A. Backguard (required for some installations)
- B. 45" (114.3 cm) overall height
- C. 36" (91.4 cm) cooktop height with feet loosened $\frac{3}{4}$ turn
- D. 30" (76.2 cm) width
- E. 26 $\frac{1}{2}$ " (67.3 cm) width with control panel*
- F. $\frac{1}{4}$ " (0.64 cm) spacer
- G. 9 $\frac{1}{4}$ " (23.5 cm) backguard height
- H. 30" (76.2 cm) cooktop width

*When installed in a 24" (61.0 cm) base cabinet with 25" (63.5 cm) countertop; front of oven door protrudes 1 $\frac{7}{8}$ " (4.8 cm) beyond 24" (61.0 cm) base cabinet.

Installation Clearances

Cabinet opening dimensions shown are for 25" (64.0 cm) countertop depth, 24" (61.0 cm) base cabinet depth and 36" (91.4 cm) countertop height.

IMPORTANT: If installing a range hood above the range, follow the range hood instructions for dimensional clearances above the cooktop surface.



- A. 18" (45.7 cm) upper cabinet to countertop
- B. 22" (55.9 cm)
- C. Junction box to be located in this shaded area, see NOTE*
- D. 4" (10.2 cm)
- E. 20" (50.8 cm)
- F. 12" (30.5 cm)
- G. 5 $\frac{1}{2}$ " (14.0 cm)
- H. Gas line opening to be located in this shaded area
- I. 3 $\frac{1}{2}$ " (8.9 cm)
- J. 8" (20.3 cm)
- K. 30 $\frac{1}{4}$ " (76.8 cm)
- L. 4" (10.2 cm) min. clearance from both sides of range to side wall or other combustible material
- M. For minimum clearance to top of range, see NOTE**.
- N. 30" (76.2 cm) min. upper cabinet width
- O. 13" (33.0 cm) max. upper cabinet depth

*NOTE: Receptacle must be rotated 90° for Canadian installation.

**NOTE: 36" (91.4 cm) minimum when bottom of wood or metal cabinet is covered by not less than $\frac{1}{4}$ " (0.64 cm) flame retardant millboard covered with not less than No. 28 MSG sheet steel, 0.015" (0.4 mm) stainless steel, 0.024" (0.6 mm) aluminum or 0.020" (0.5 mm) copper.

42" (106.7 cm) minimum clearance between the top of the cooking platform and the bottom of an uncovered wood or metal cabinet.

Electrical Requirements - U.S.A. Only

If codes permit and a separate ground wire is used, it is recommended that a qualified electrical installer determine that the ground path and wire gauge are in accordance with local codes and that the ground path is adequate.

Check with a qualified electrical installer if you are not sure the range is properly grounded.

Do not use an extension cord.

Make sure that the electrical connection and wire size are adequate and in conformance with the National Electrical Code, ANSI/NFPA 70-latest edition and all local codes and ordinances.

A copy of the above code standards can be obtained from:

National Fire Protection Association
One Batterymarch Park
Quincy, MA 02269

Electrical Connection

To properly install your range, you must determine the type of electrical connection you will be using and follow the instructions provided for it here.

- Range must be connected to the proper electrical voltage and frequency as specified on the model/serial number rating plate. (The model/serial number rating plate is located on the right vertical surface of the oven door frame.)
- Range must be connected to a grounded metal, permanent wiring system.
- A 4-wire or 3-wire, single phase, 120/240 volt, 60 Hz., AC only electrical supply is required on a separate, 30-amp circuit, fused on both sides of the line.
- A time-delay fuse or circuit breaker is recommended. The fuse size must not exceed the circuit rating of the range specified on the model/serial rating plate located on the right vertical surface of the oven door frame. Refer to the figure in the "Product Dimensions" section of "Location Requirements" section.
- The range can be connected directly to the fused disconnect (or circuit breaker box) through flexible, or nonmetallic sheathed, copper or aluminum cable. The flexible, cable extending from the fuse box or circuit breaker box should be connected directly to the junction box. See "Make Electrical Connection."
- Locate the junction box to allow as much slack as possible between the junction box and the range so that the range can be moved if servicing is ever necessary. Do not cut the conduit.
- A UL listed or CSA approved conduit connector must be provided at each end of the power supply cable (at the range and at the junction box).
- Wire sizes and connections must conform with the rating of the range (30 amps).
- If the house has aluminum wiring follow the procedure below:
 1. Connect a section of solid copper wire to the pigtail leads.
 2. Connect the aluminum wiring to the added section of copper wire using special connectors and/or tools designed and UL listed for joining copper to aluminum.

Follow the electrical connector manufacturer's recommended procedure. Aluminum/copper connection must conform with local codes and industry accepted wiring practices.

Electrical Requirements - Canada Only

⚠ WARNING



Electrical Shock Hazard

Electrically ground range.

Failure to do so can result in death, fire, or electrical shock.

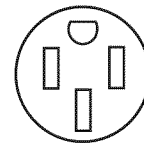
If codes permit and a separate ground wire is used, it is recommended that a qualified electrical installer determine that the ground path and wire gauge are in accordance with local codes.

Be sure that the electrical connection and wire size are adequate and in conformance with the CSA Standard C22.1, Canadian Electrical Code, Part 1 - latest edition, and all local codes and ordinances.

A copy of the above code standards can be obtained from:

Canadian Standards Association
178 Rexdale Blvd.
Toronto, ON M9W 1R3 CANADA.

- Check with a qualified electrical installer if you are not sure the range is properly grounded.
- When a 4-wire, single phase 208/240 volt, 60 Hz., AC only electrical supply is available, a 30-amp minimum circuit protection is required, fused on both sides of the line.
- A time-delay fuse or circuit breaker is recommended.
- This range is equipped with a CSA International Certified Power Cord intended to be plugged into a standard 14-50R wall receptacle. Be sure the wall receptacle is within reach of range's final location.



- Do not use an extension cord.

Gas Supply Requirements

⚠ WARNING



Explosion Hazard

Use a new CSA International approved gas supply line.

Install a shut-off valve.

Securely tighten all gas connections.

If connected to LP, have a qualified person make sure gas pressure does not exceed 14" (36 cm) water column.

Examples of a qualified person include:

**licensed heating personnel,
authorized gas company personnel, and
authorized service personnel.**

Failure to do so can result in death, explosion, or fire.

Observe all governing codes and ordinances.

IMPORTANT: This installation must conform with all local codes and ordinances. In the absence of local codes, installation must conform with American National Standard, National Fuel Gas Code ANSI Z223.1/NFPA 54 - latest edition or CAN/CGA B149 - latest edition.

IMPORTANT: Range cooktop must be connected to a regulated gas supply.

IMPORTANT: Leak testing of the range cooktop must be conducted according to the manufacturer's instructions.

Type of Gas

Natural Gas:

This range is design-certified by CSA International for use with Natural gas or, after proper conversion, for use with LP gas.

- This range is factory set for use with Natural gas. The model/serial rating plate located on the right vertical surface of the oven door frame has information on the types of gas that can be used. If the types of gas listed do not include the type of gas available, check with the local gas supplier.

LP Gas conversion:

Conversion must be done by a qualified service technician.

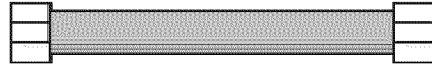
No attempt shall be made to convert the range cooktop from the gas specified on the model/serial rating plate for use with a different gas without consulting the serving gas supplier. To convert to LP gas, use the LP gas conversion kit provided with your range. The parts for this kit are in the literature package supplied with the range.

Gas Supply Line

- Provide a gas supply line of $\frac{3}{4}$ " (1.9 cm) rigid pipe to the range location. A smaller size pipe on longer runs may result in insufficient gas supply. Pipe-joint compounds that resist the action of LP gas must be used. Do not use TEFLON[†] tape. With LP gas, piping or tubing size can be $\frac{1}{2}$ " (1.3 cm) minimum. Usually, LP gas suppliers determine the size and materials used in the system.

Flexible metal appliance connector:

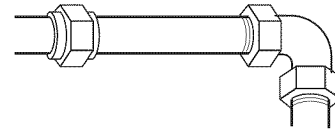
- If local codes permit, a new CSA design-certified, 4 - 5 ft (122 - 152.4 cm) long, $\frac{5}{8}$ " (1.6 cm) or $\frac{3}{4}$ " (1.9 cm) I.D., flexible metal appliance connector may be used for connecting range to the gas supply line.



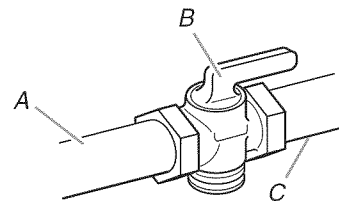
- A $\frac{1}{2}$ " (1.3 cm) male pipe thread is needed for connection to the female pipe threads of the inlet to the range pressure regulator.
- Do not kink or damage the flexible metal tubing when moving the range.

Rigid pipe connection:

The rigid pipe connection requires a combination of pipe fittings to obtain an in-line connection to the range. The rigid pipe must be level with the range connection. All strains must be removed from the supply and fuel lines so range will be level and in line.



- Must include a manual shutoff valve: The supply line must be equipped with a manual shutoff valve. This valve should be located in the same room but external to the range. It should be in a location that allows ease of opening and closing. Do not block access to shutoff valve. The valve is for turning on or shutting off gas to the range.



A. Gas supply line
B. Shutoff valve "open" position
C. To range

[†]TEFLON is a registered trademark of E.I. Du Pont De Nemours and Company.

Gas Pressure Regulator

The gas pressure regulator supplied with this range must be used. The inlet pressure to the regulator should be as follows for proper operation:

Natural Gas:

Minimum pressure: 6" (15.2 cm) WCP

Maximum pressure: 14" (35.6 cm) WCP

LP Gas:

Minimum pressure: 11" (27.9 cm) WCP

Maximum pressure: 14" (35.6 cm) WCP

Contact local gas supplier if you are not sure about the inlet pressure.

Burner Input Rating - Altitude

Input ratings shown on the model/serial rating plate are for elevations up to 2,000 ft (609.6 m).

For elevations above 2,000 ft (609.6 m), ratings are reduced at a rate of 4% for each 1,000 ft (304.8 m).

Gas Supply Pressure Testing

Gas supply pressure for testing regulator must be at least 1" water column pressure above the manifold pressure shown on the model/serial rating plate.

Line pressure testing above ½ psi gauge (14" WCP)

The range and its individual shutoff valve must be disconnected from the gas supply piping system during any pressure testing of that system at test pressures in excess of ½ psi (3.5 kPa).

Line pressure testing at ½ psi gauge (14" WCP) or lower

The range must be isolated from the gas supply piping system by closing its individual manual shutoff valve during any pressure testing of the gas supply piping system at test pressures equal to or less than ½ psi (3.5 kPa).

INSTALLATION INSTRUCTIONS

Unpack Range

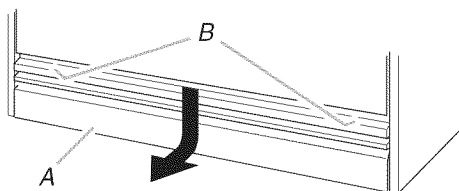
! WARNING

Excessive Weight Hazard

Use two or more people to move and install range.

Failure to do so can result in back or other injury.

1. Remove shipping materials, tape and film from range. Keep shipping pallet under range. Remove oven racks, grates and parts package from inside oven.
2. Remove the 2 screws on each side of the top of the bottom vent. Slide the vent down and pull toward you. Lay this part to the side to avoid scratching the stainless steel.



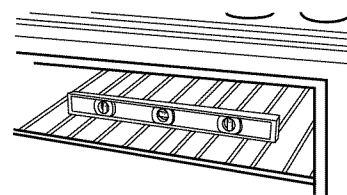
A. Bottom vent

B. Remove these screws.

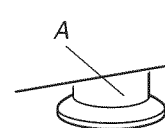
3. Lay a piece of cardboard from side packing on the floor behind range. Using 2 or more people, firmly grasp each side of range. Lift range up about 3" (8 cm) and move it back until range is off shipping pallet. Set range on cardboard to avoid damaging floor.

Level Range

1. Move range close to the cabinet opening.
2. Place rack in oven.
3. Place level on rack and check levelness of the range, first side to side; then front to back.



4. If the range is not level, adjust the feet up or down. Turn leveling leg sleeves to level range and to raise or lower range to the desired countertop height.



A. Leveling leg sleeve

NOTE: Range must be level for satisfactory baking performance.

Install Anti-Tip Bracket

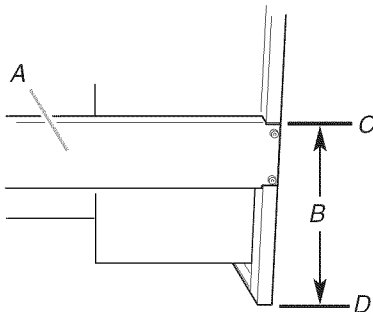
⚠ WARNING



Tip Over Hazard

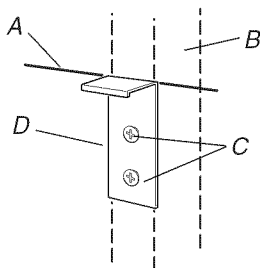
A child or adult can tip the range and be killed.
Connect anti-tip bracket to wall behind range.
Reconnect the anti-tip bracket, if the range is moved.
Failure to follow these instructions can result in death or serious burns to children and adults.

- Choose the correct anti-tip bracket for your installation.
 - If the wall behind the range has no baseboard or has a baseboard up to $\frac{3}{8}$ " (0.95 cm) thick, use the shorter 1" (2.5 cm) anti-tip bracket.
 - If the wall behind the range has a baseboard thicker than $\frac{3}{8}$ " (0.95 cm), use the longer $1\frac{3}{4}$ " (4.4 cm) anti-tip bracket.
- Locate a stud on the wall behind the range. Measure the distance from top of rear brace to floor.



A. Rear brace
 B. Top of rear brace to floor
 C. Top of rear brace
 D. Floor

- Add $\frac{5}{16}$ " (0.79 cm) to the measurement from Step 2. This will allow anti-tip bracket to slide over rear brace.
- Using the final measurement from Step 3, measure from the floor up and mark a horizontal line on the wall where a wall stud is located.



A. Horizontal line marked from Step 4.
 B. Wall stud
 C. Mounting screws
 D. Anti-tip bracket

- Position top of anti-tip bracket at line marked in Step 4 and mark holes. Drill two $\frac{1}{8}$ " holes at the positions marked on the wall. Use screws provided to fasten anti-tip bracket to wall. Anti-tip bracket must be mounted securely to stud in wall behind the range. Depending on thickness of the wall, longer screws may be required. Longer screws are available from your local hardware store.

Make Electrical Connection - U.S.A. Only

⚠ WARNING



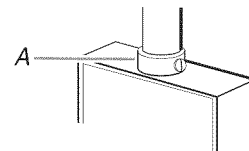
Electrical Shock Hazard

Disconnect power before servicing.
Use 8 gauge solid copper wire.
Electrically ground range.
Failure to follow these instructions can result in death, fire, or electrical shock.

This range must be connected to a grounded, metallic permanent wiring system or a ground connector should be connected to the ground terminal or wire lead on the range.

This range is manufactured with a cabinet-connected, green (or bare) ground wire. Connect the range cable to the junction box through the UL listed or CSA approved conduit connector.

- Disconnect power.
- Remove junction box cover if present.
- Install a UL listed or CSA approved conduit connector to the junction box.



A. UL listed or CSA approved conduit connector

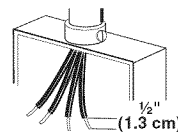
- Route the flexible cable conduit from the range to the junction box using a UL listed or CSA approved conduit connector.
- Tighten screws on conduit connector.
- See "Electrical Connection Options Chart" to complete installation for your type of electrical connection.

Electrical Connection Options Chart

If your home has:

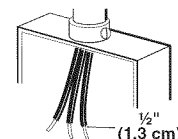
Go to Section:

4-wire



4-Wire Cable from Home Power Supply

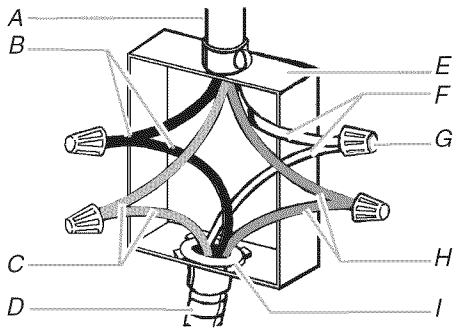
3-wire



3-Wire Cable from Home Power Supply

4-Wire Cable from Home Power Supply

IMPORTANT: Use the 4-wire cable from home power supply where local codes do not permit connecting to a 3-wire system.

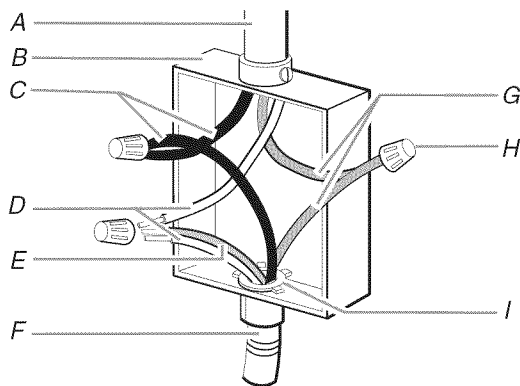


- | | |
|-------------------------------------|--|
| A. Cable from home power supply | F. White wires |
| B. Black wires | G. UL listed wire connectors |
| C. Red wires | H. Green (or bare) ground wires |
| D. 4-wire flexible cable from range | I. UL listed or CSA approved conduit connector |
| E. Junction box | |

1. Connect the 2 black wires (B) together using a UL listed wire connector.
2. Connect the 2 red wires (C) together using a UL listed wire connector.
3. Connect the 2 white wires (F) together using a UL listed wire connector.
4. Connect the green (or bare) ground wire (H) from the range cable to the green (or bare) ground wire (in the junction box) using a UL listed wire connector.
5. Install junction box cover.

3-Wire Cable from Home Power Supply

IMPORTANT: Use the 3-wire cable from home power supply where local codes permit a 3-wire connection.



- | | |
|---|--|
| A. Cable from home power supply | F. 4-wire flexible cable from range |
| B. Junction box | G. Red wires |
| C. Black wires | H. UL listed wire connectors |
| D. White wires | I. UL listed or CSA approved conduit connector |
| E. Green (or bare) ground wire (from range) | |

1. Connect the 2 black wires (C) together using a UL listed wire connector.
2. Connect the 2 white wires (D) and the green (or bare) ground wire (E) (of the range cable) using a UL listed wire connector.
3. Connect the 2 red wires (G) together using a UL listed wire connector.
4. Install junction box cover.

Attach Backguard or Island Trim

⚠ WARNING

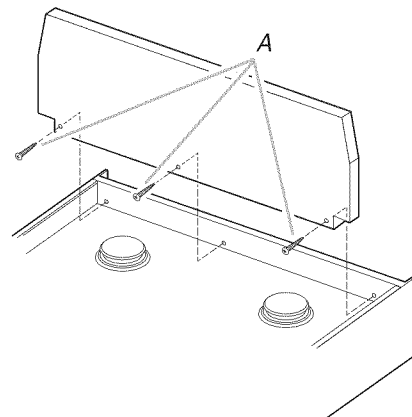
Excessive Weight Hazard

Use two or more people to move and install range.

Failure to do so can result in back or other injury.

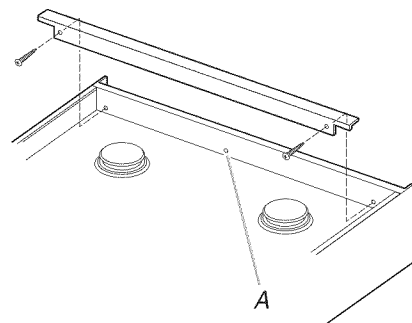
1. Using 2 or more people, move range close to cabinet opening.
2. Remove cardboard or hardboard from under range. Move range into its final position.
3. Attach the backguard or island trim as required for your installation. See "Tools and Parts." Attachment screws are included in the package containing literature.

Attaching the Backguard



A. Three front screws (4 rear screws required but not shown)

Attaching the Island Trim

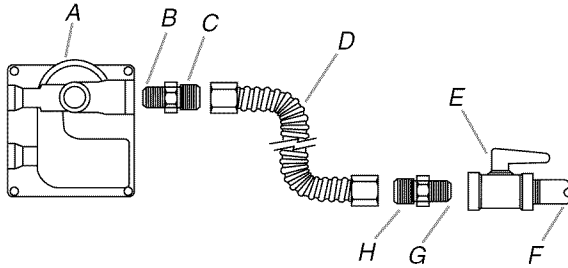


A. Center hole not used

4. Using 2 or more people, tip the range back so that the front feet lift off the ground. Slide range toward the wall until the rear brace is under the anti-tip bracket. Stand range up, making sure the anti-tip bracket catches the rear brace.

Make Gas Connection

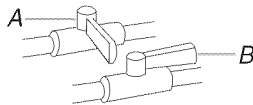
1. Assemble flexible connector from gas supply pipe to pressure regulator located in the middle front of the range.
2. Apply pipe-joint compound made for use with LP gas to the smaller thread ends of the flexible connector adapters (see B and G in the following illustration).
3. Attach one adapter to the gas pressure regulator and the other adapter to the gas shutoff valve. Tighten both adapters.
4. Use a $1\frac{5}{16}$ " combination wrench and channel lock pliers to attach the flexible connector to the adapters. Check that connector is not kinked.



- A. Gas pressure regulator
 B. Use pipe-joint compound.
 C. Adapter (must have $\frac{1}{2}$ " male pipe thread)
 D. Flexible connector
 E. Manual gas shutoff valve
 F. $\frac{1}{2}$ " or $\frac{3}{4}$ " gas pipe
 G. Use pipe-joint compound.
 H. Adapter

Complete Connection

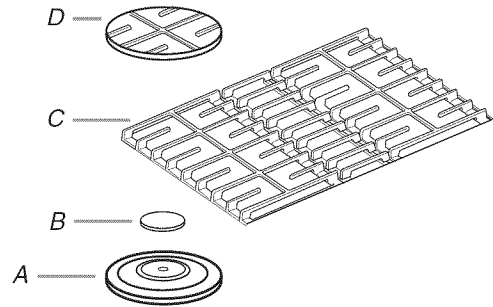
1. Open the manual shutoff valve in the gas supply line. The valve is open when the handle is parallel to the gas pipe.



- A. Closed valve
 B. Open valve

2. Test all connections by brushing on an approved noncorrosive leak-detection solution. If bubbles appear, a leak is indicated. Correct any leak found.

3. Remove cooktop burner caps, grates and simmer plate from parts package. Align notches in burner caps with pins in burner base. Burner caps should be level when properly positioned. If burner caps are not properly positioned, surface burners will not light. Place burner grates over burners and caps.



- A. Burner base
 B. Burner cap
 C. Burner grate
 D. Simmer plate

4. Turn on power supply. "PF" should appear on the clock display. For further information, please refer to the user instructions located in the Use and Care Guide.

Electronic Ignition System

Initial lighting and gas flame adjustments

Cooktop and oven burners use electronic igniters in place of standing pilots. When the cooktop control knob is turned to the "LITE" position, the system creates a spark to light the burner. This sparking continues, as long as the control knob is turned to "LITE."

Check Operation of Cooktop Burners

Push in and turn each control knob to the "LITE" position.

The flame should light within 4 seconds. The first time a burner is lit it may take longer than 4 seconds to light because of air in the gas line.

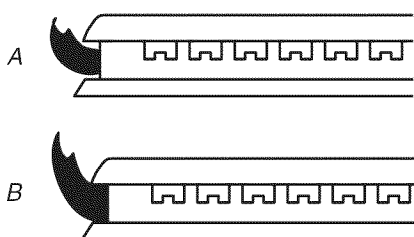
If burners do not light properly:

- Turn cooktop control knob to the "OFF" position.
- Check that the range is plugged in and the circuit breaker has not tripped or the fuse has not blown.
- Check that the gas shutoff valves are set to the "open" position.
- Check that burner caps are properly positioned on burner bases.

Repeat start-up. If a burner does not light at this point, contact your dealer or authorized service company for assistance.

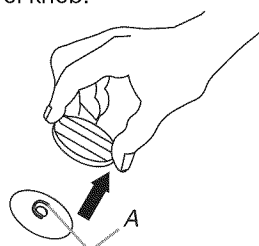
Adjust Flame Height

Adjust the height of top burner flames. The cooktop “low” burner flame should be a steady blue flame approximately ¼" (0.64 cm) high.



A. Low flame
B. High flame

The flame can be adjusted using the adjustment screw in the center of the valve stem. The valve stem is located directly underneath the control knob.



A. Adjustment screw

If the “low” flame needs to be adjusted:

1. Remove the control knob.
2. Hold the knob stem with a pair of pliers. Use a small flat-blade screwdriver to turn the screw located in the center of the control knob stem until the flame is the proper size.
3. Replace the control knob.
4. Test the flame by turning the control from “LO” to “HI,” checking the flame at each setting.

Check Operation of Oven Element

1. Turn oven selector to BAKE. Default temperature appears in the temperature display.
2. Press ENTER. The first preheat light comes on when the oven temperature begins to rise.
3. When the second preheat light comes on, open oven door and hold hand above oven floor and feel for heat. Do not touch oven floor. Press CANCEL and turn oven selector to RESET.

Check Operation of Oven Broil Element

1. Close the oven door.
2. Turn oven selector to BROIL. “HI” will appear in the temperature display.
3. Press ENTER. Look through oven window. The top element should glow red, and heat should be radiating out of the door. Press CANCEL and turn oven selector to RESET.

If oven does not operate:

- Check that power supply is turned on.
- Check that the range is plugged in and the circuit breaker has not tripped or the household fuse has not blown.

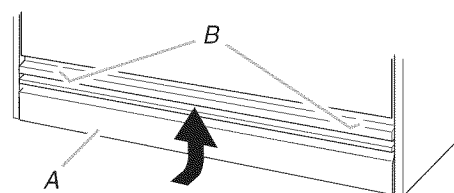
Repeat start-up. If the oven still does not operate at this point, contact your dealer or authorized service company for assistance.

Install Burner Grates

Place burner grates over burner caps. The simmer plate may sit on one of the grates or be stored for future use.

Reinstall Bottom Vent

1. Insert lower vent tabs into the slots on the front trim.
2. Push vent upward until the holes line up at top of vent.
3. Reattach the vent using the 4 screws.



A. Bottom vent
B. Reattach these screws.

Complete Installation

1. Check that all parts are now installed. If there is an extra part, go back through the steps to see which step was skipped.
2. Dispose of/recycle all packaging materials.
3. Check that range is correctly positioned in countertop cutout and that the range is level. See “Level Range.”
4. Check that the specified distances to cabinet surfaces were maintained. See “Location Requirements.”
5. Check that burner caps are positioned properly on sealed burner bases.
6. Check that backguard or island trim is installed. (If horizontal clearance to combustible materials behind cooking surface is less than 1" [2.5 cm]).
7. Check that the range is connected only to the type of gas for which it is certified for use.
8. Use a mild solution of liquid household cleaner and warm water to remove waxy residue caused by shipping material. Dry thoroughly with a soft cloth. For more information, see the “Range Care” section of the Use and Care Guide.
9. Read “Range Use” in the Use and Care Guide.
10. Turn on surface burners and oven. See the Use and Care Guide for specific instruction on range operation.

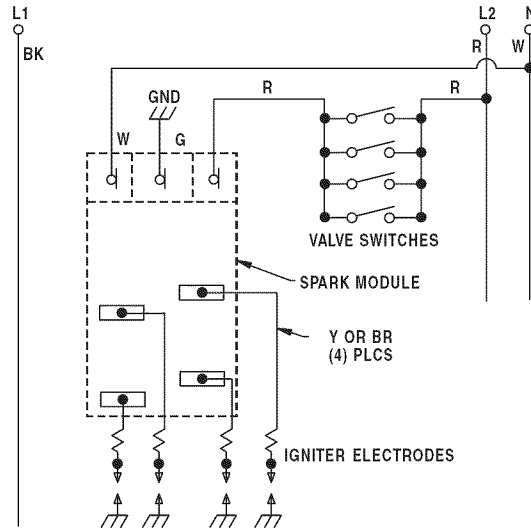
If range does not operate, check the following:

- Household fuse has not blown, or circuit breaker has not tripped.
- Gas valves are turned to the “open” position.
- If the gas supply line shutoff valve is open, turn to “closed” and contact a qualified technician.
- Electrical supply is connected.
- See “Troubleshooting” in the Use and Care Guide.

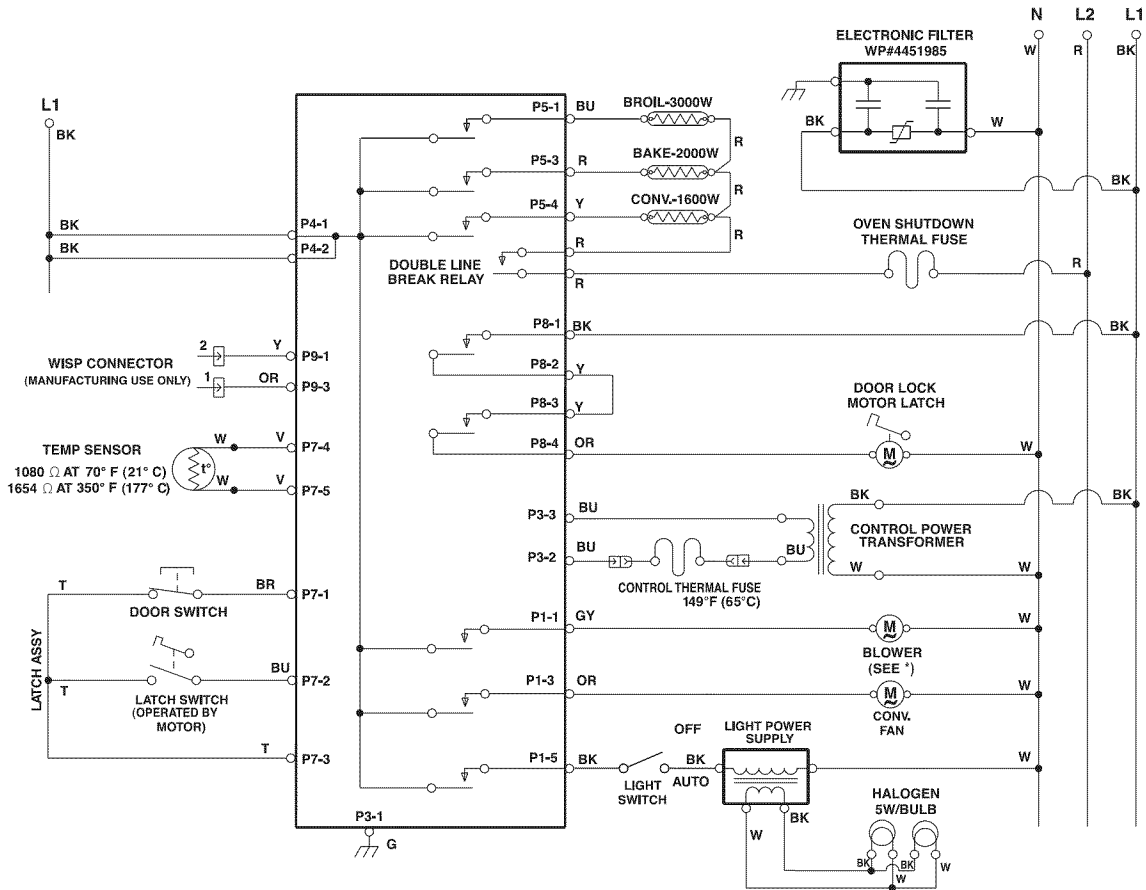
WIRING DIAGRAMS

Caution: Label all wires prior to disconnection when servicing controls. Wiring errors can cause improper and dangerous operation. Verify proper operation after servicing.

Cooktop Schematic



Oven Schematic



*Blower remains off until oven reaches 190°F (88°C) and may continue running up to 45 minutes after oven has turned off.

NOTE: Circuit is shown in standby/off mode with oven door closed.

SÉCURITÉ DE LA CUISINIÈRE

Votre sécurité et celle des autres est très importante.

Nous donnons de nombreux messages de sécurité importants dans ce manuel et sur votre appareil ménager. Assurez-vous de toujours lire tous les messages de sécurité et de vous y conformer.



Voici le symbole d'alerte de sécurité.

Ce symbole d'alerte de sécurité vous signale les dangers potentiels de décès et de blessures graves à vous et à d'autres.

Tous les messages de sécurité suivront le symbole d'alerte de sécurité et le mot "DANGER" ou "AVERTISSEMENT". Ces mots signifient :

⚠ DANGER

Risque possible de décès ou de blessure grave si vous ne suivez pas immédiatement les instructions.

⚠ AVERTISSEMENT

Risque possible de décès ou de blessure grave si vous ne suivez pas les instructions.

Tous les messages de sécurité vous diront quel est le danger potentiel et vous disent comment réduire le risque de blessure et ce qui peut se produire en cas de non-respect des instructions.

AVERTISSEMENT : Si les renseignements dans ce manuel ne sont pas exactement observés, un incendie ou une explosion peut survenir, causant des dommages au produit, des blessures ou un décès.

- Ne pas entreposer ni utiliser de l'essence ou d'autres vapeurs ou liquides inflammables à proximité de cet appareil ou de tout autre appareil électroménager.
- QUE FAIRE DANS LE CAS D'UNE ODEUR DE GAZ :
 - Ne pas tenter d'allumer un appareil.
 - Ne pas toucher à un commutateur électrique.
 - Ne pas utiliser le téléphone se trouvant sur les lieux.
 - Appeler immédiatement le fournisseur de gaz à partir du téléphone d'un voisin. Suivre ses instructions.
 - À défaut de joindre votre fournisseur de gaz, appeler les pompiers.
- L'installation et l'entretien doivent être effectués par un installateur qualifié, une agence de service ou le fournisseur de gaz.

AVERTISSEMENT : L'odorat ne permet pas toujours la détection d'une fuite de gaz.

Les distributeurs de gaz recommandent l'emploi d'un détecteur de gaz (homologation UL ou CSA).

Pour d'autre information, contacter le fournisseur de gaz local.

En cas de détection d'une fuite de gaz, exécuter les instructions "Que faire dans le cas d'une odeur de gaz".

⚠ AVERTISSEMENT

Risque de basculement

Un enfant ou une personne adulte peut faire basculer la cuisinière ce qui peut causer un décès.

Joindre la bride antibasculement au mur derrière la cuisinière.

Joindre de nouveau la bride antibasculement si la cuisinière est déplacée.

Le non-respect de ces instructions peut causer un décès ou des brûlures graves aux enfants et aux adultes.



EXIGENCES D'INSTALLATION

Outillage et pièces

Rassembler les outils et pièces nécessaires avant de commencer l'installation. Lire et suivre les instructions fournies avec les outils indiqués ici.

Outillage nécessaire

- Mètre-ruban
- Tournevis à lame plate
- Tournevis Phillips
- Niveau
- Perceuse manuelle ou électrique
- Pince multiprise ordinaire
- Clé à tube
- Clé mixte de 15/16"
- Marqueur ou crayon
- Ruban adhésif de masquage
- Composé d'étanchéité des raccords filetés - résistant au propane
- Solution non-corrosive de détection des fuites
- Détecteur magnétique de vis

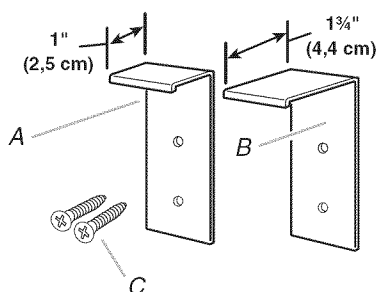
Pièces nécessaires

- Un connecteur de conduit (homologation UL ou CSA)
- Un connecteurs de fils homologué UL

Pièces fournies

Vérifier que toutes les pièces sont présentes.

- Trousse de bride antibasculement



A. Bride antibasculement - 1" (2,5 cm)
B. Bride antibasculement - 1 3/4" (4,4 cm)
C. Vis à tête Phillips n° 10 x 2" (2)

REMARQUE : Les brides doivent être solidement fixées au poteau mural. La profondeur du mur peut nécessiter des vis plus longues pour l'ancrage de la bride dans le mur. Des vis plus longues sont disponibles auprès de votre quincaillerie locale. Voir la section "Installation de la bride antibasculement".

- Dossieret et vis de fixation (7).

REMARQUE : Le dossieret inclus avec la cuisinière doit être installé en cas d'installation à moins de 1" (2,5 cm) de la cloison arrière combustible.

- Garniture en îlot et vis de fixation (3).

REMARQUE : La garniture en îlot incluse avec la cuisinière peut être utilisée en cas d'installation à 1" (2,5 cm) d'une cloison arrière combustible ou à 0" (0 cm) d'une cloison arrière non combustible.

- Trousse de conversion pour l'alimentation au propane.

REMARQUE : La table de cuisson est conçue pour une utilisation au gaz naturel. Pour effectuer la conversion pour une alimentation au propane, voir les instructions de conversion de gaz fournies dans le sachet de documentation.

Vérifier les codes locaux et consulter le fournisseur de gaz. Vérifier l'alimentation en gaz et l'alimentation électrique existantes. Voir les sections "Spécifications électriques" et "Spécifications de l'alimentation en gaz".

Toutes les connexions électriques doivent être effectuées par un électricien qualifié et certifié.

Exigences d'emplacement

IMPORTANT : Respecter tous les codes et règlements en vigueur. Ne pas obstruer le flux de combustion et la ventilation.

- C'est à l'installateur qu'incombe la responsabilité de respecter les distances de séparation, spécifiées sur la plaque signalétique de l'appareil. La plaque signalétique des numéros de modèle et de série est située sur la surface verticale à droite du cadre de la porte du four.
- Il est recommandé qu'une hotte de cuisinière de 600 CFM soit installée au-dessus de la cuisinière.
- Dans le cas d'une cuisinière encastrée, l'enceinte doit recouvrir complètement les côtés et l'arrière de la cuisinière.
- Afin de supprimer le risque de brûlures ou d'incendie en se penchant au-dessus des unités de surface chauffées, le rangement en armoire au-dessus des unités de chauffage doit être évité. Si le rangement en armoire est envisagé, le risque peut être réduit par l'installation d'une hotte de cuisine opérant horizontalement sur un minimum de 5" (12,7 cm) au-delà du bas des placards.
- Toutes les ouvertures dans le mur ou le plancher de l'emplacement d'installation de la cuisinière doivent être scellées.
- Ne pas réaliser un scellement entre la cuisinière et les placards latéraux.
- Respecter les dimensions indiquées pour la cavité d'installation entre les placards. Ces dimensions tiennent compte des valeurs minimales des dégagements de séparation.

- La bride antibasculement murale doit être installée. Pour l'installation de la bride antibasculement expédiée avec la cuisinière, voir la section "Installation de la bride antibasculement".
- Une source d'électricité avec liaison à la terre est nécessaire. Voir la section "Spécifications électriques".
- Une source de gaz adéquate doit être disponible. Voir la section "Spécifications de l'alimentation en gaz".
- Contacter un installateur de revêtement de sol qualifié, qui pourra déterminer si le revêtement de sol peut résister à une température d'au moins 200°F (93°C). Dans le cas de l'installation de la cuisinière sur de la moquette, placer sous la cuisinière une plaque d'appui isolée, ou une plaque de contreplaqué de ¼" (0,64 cm).

IMPORTANT : Pour éviter tout dommage, consulter le constructeur ou le fabricant du placard pour déterminer si les matériaux utilisés ne subiront pas un changement de couleur, une déstratification ou d'autres dommages. Ce four a été conçu conformément aux exigences UL et aux normes de la CSA International; il respecte la température maximale autorisée pour les placards en bois : 194°F (90°C).

Résidence mobile - Spécifications additionnelles à respecter lors de l'installation

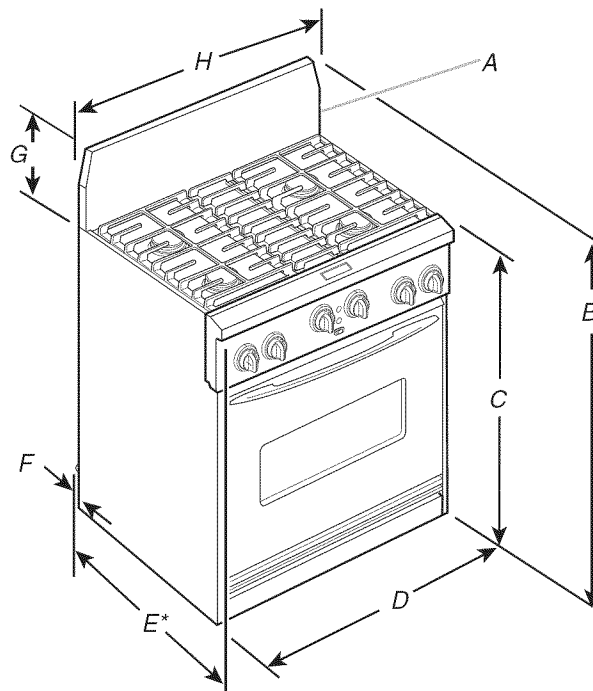
L'installation de cette cuisinière doit être conforme aux dispositions de la norme Manufactured Home Construction and Safety Standard, Title 24 CFR, Part 3280 (anciennement Federal Standard for Mobile Home Construction and Safety, Title 24, HUD Part 280). Lorsque cette norme n'est pas applicable, l'installation doit satisfaire aux critères de la norme Standard for Manufactured Home Installations, ANSI A225.1/NFPA 501A ou les dispositions des codes locaux.

Au Canada, l'installation de cette cuisinière doit satisfaire aux stipulations de la version la plus récente de la norme CAN/CSA-A240, ou des codes locaux en vigueur.

Autres critères à respecter pour une installation en résidence mobile :

- Dans le cas de l'installation de cette cuisinière dans une résidence mobile, la cuisinière doit être fixée au plancher durant tout déplacement du véhicule. Toute méthode de fixation de la cuisinière est adéquate dans la mesure où elle satisfait aux critères des normes mentionnées ci-dessus.

Dimensions de l'appareil



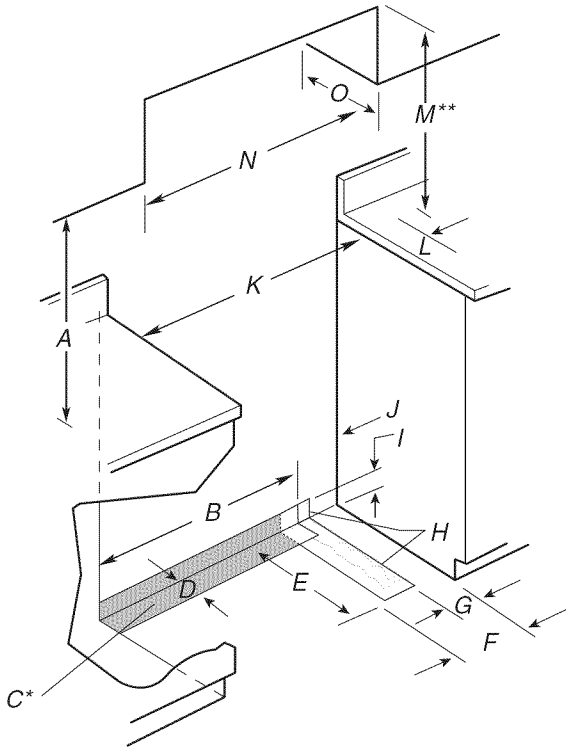
- A. Dosseret (exigé pour certaines installations)
- B. Hauteur hors-tout 45" (114,3 cm)
- C. Hauteur de la table de cuisson 36" (91,4 cm) avec pieds dévissés de ¾ de tour
- D. 30" (76,2 cm) de largeur
- E. 26½" (67,3 cm) de largeur (tableau de commande inclus)*
- F. Butée d'espacement de ¼" (0,64 cm)
- G. Hauteur du dosseret 9¼" (23,5 cm)
- H. 30" (76,2 cm) de largeur

Dans le cas d'une installation entre des placards de 24" (61,0 cm) avec plan de travail de 25" (63,5 cm), l'avant de la porte du four sera en saillie de 17/8" (4,8 cm) au-delà de la façade des placards de 24" (61,0 cm).

Dégagements de séparation à respecter

Les dimensions de l'espace d'installation entre les placards sont valides pour l'installation entre des placards de 24" (61,0 cm) avec plan de travail de 25" (64,0 cm) à hauteur de 36" (91,4 cm).

IMPORTANT : En cas d'installation d'une hotte au-dessus de la cuisinière, suivre les instructions fournies avec la hotte concernant les dimensions de dégagement à respecter au-dessus de la surface de la table de cuisson.



- A. 18" (45,7 cm) entre placard mural et plan de travail
- B. 22" (55,9 cm)
- C. Placer la boîte de connexion dans cette zone ombrée, voir la REMARQUE*
- D. 4" (10,2 cm)
- E. 20" (50,8 cm)
- F. 12" (30,5 cm)
- G. 5½" (14,0 cm)
- H. Placer la canalisation de gaz dans cette zone ombrée
 - I. 3½" (8,9 cm)
 - J. 8" (20,3 cm)
 - K. 30¼" (76,8 cm)
- L. Dégagement de 4" (10,2 cm) minimum entre les deux côtés de la cuisinière et la paroi latérale ou toute autre matière combustible
- M. Pour la distance libre minimale vers la partie supérieure de la cuisinière, voir la REMARQUE**.
- N. Largeur min. des placards muraux 30" (76,2 cm)
- O. Profondeur max. des placards muraux 13" (33,0 cm)

***REMARQUE :** Pour installation au Canada, il est nécessaire de faire pivoter la prise de 90°.

****REMARQUE :** Distance de séparation de 36" (91,4 cm) ou plus lorsque le fond d'un placard de bois ou de métal est protégé par une planche ignifugée d'au moins ¼" (0,64 cm) recouverte d'une feuille métallique d'épaisseur égale ou supérieure à : acier calibre 28 MSG, acier inoxydable 0,015" (0,4 mm), aluminium 0,024" (0,6 mm), ou cuivre 0,020" (0,5 mm).

Distance de séparation de 42" (106,7 cm) ou plus entre le dessus de la table de cuisson et le fond d'un placard de bois ou de métal non protégé.

Spécifications de l'installation électrique

⚠ AVERTISSEMENT



Risque de choc électrique

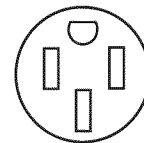
Relier la cuisinière à la terre.

Le non-respect de cette instruction peut causer un décès, un incendie ou un choc électrique.

Si le code en vigueur le permet et qu'un conducteur distinct de liaison à la terre est utilisé, on recommande qu'un électricien qualifié vérifie que la liaison à la terre et la taille du conducteur de liaison à la terre sont conformes aux prescriptions du code local. Vérifier que le raccordement à la source d'électricité et le calibre des conducteurs sont adéquats et conformes aux prescriptions de la plus récente édition de la norme CSA C22.1, partie 1 - Code canadien de l'électricité, et de tout code ou règlement local en vigueur.

On peut obtenir un exemplaire de la norme ci-dessus auprès de :
Canadian Standards Association
178 Rexdale Blvd.
Toronto, ON M9W 1R3 CANADA.

- En cas de doute quant à la qualité de la liaison à la terre de la cuisinière, consulter un électricien qualifié.
- Lorsqu'une source d'électricité monophasée de 208/240 volts, 60 Hz/4 conducteurs (CA uniquement) est disponible, le circuit doit comporter un dispositif de protection 30 ampères minimum, fusionné aux deux extrémités de la ligne.
- On recommande l'emploi de fusibles temporisés ou disjoncteurs.
- Cette cuisinière est dotée d'un dispositif de branchement (homologation CSA International) destiné à être branché sur une prise de courant murale standard 14-50R. Veiller à ce que la prise de courant murale soit placée à portée de la position de service finale de la cuisinière.



- Ne pas utiliser de câble de rallonge.

⚠ **AVERTISSEMENT**



Risque d'explosion

Utiliser une canalisation neuve d'arrivée de gaz approuvée par la CSA International.

Installer un robinet d'arrêt.

Bien serrer chaque organe de connexion de la canalisation de gaz.

En cas de connexion au gaz propane, demander à une personne qualifiée de s'assurer que la pression de gaz ne dépasse pas 36 cm (14 po) de la colonne d'eau.

Par personne qualifiée, on comprend :

**le personnel autorisé de chauffage,
le personnel autorisé d'une compagnie de gaz, et
le personnel d'entretien autorisé.**

Le non-respect de ces instructions peut causer un décès, une explosion ou un incendie.

Observer toutes les prescriptions des codes et règlements en vigueur.

IMPORTANT : L'installation doit satisfaire aux critères de tous les codes et règlements locaux. En l'absence de code local, l'installation doit satisfaire aux prescriptions de la plus récente édition du code national en vigueur : National Fuel Gas Code ANSI Z223.1/NFPA 54 (American National Standard), ou CAN/CGA B149.

IMPORTANT : La table de cuisson de la cuisinière doit être raccordée à une source d'alimentation en gaz régulée.

IMPORTANT: Les tests d'étanchéité sur la table de cuisson doivent être effectués conformément aux instructions du fabricant.

Type de gaz

Gaz naturel :

La conception de cette cuisinière a été homologuée par CSA International pour l'alimentation au gaz naturel, ou pour l'alimentation au propane après conversion adéquate.

- Cette cuisinière a été configurée à l'usine pour l'alimentation au gaz naturel. La plaque signalétique des numéros de modèle et de série située sur la surface verticale à droite du cadre de la porte du four. Si le type de gaz disponible n'est pas mentionné sur la plaque signalétique, consulter le fournisseur de gaz local.

Conversion pour l'alimentation au propane :

L'opération de conversion doit être exécutée par un technicien qualifié.

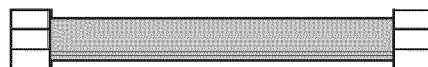
Consulter le fournisseur de gaz avant toute conversion de l'appareil pour l'utilisation d'un type de gaz qui n'est pas mentionné sur la plaque signalétique. Pour convertir au gaz propane, utiliser le kit de conversion fourni avec la cuisinière. Les pièces pour ce kit se trouvent dans le sachet de documentation fourni avec la cuisinière.

Canalisation de gaz

- Installer une canalisation de gaz rigide de 3/4" (1,9 cm) jusqu'à l'emplacement d'installation de la cuisinière. L'emploi d'une canalisation de plus petit diamètre sur une plus grande longueur peut susciter une déficience du débit d'alimentation. On doit utiliser un composé d'étanchéité des tuyauteries résistant à l'action du gaz propane. Ne pas utiliser de ruban TEFLON®. Pour l'alimentation au propane, le diamètre des canalisations doit être de 1/2" (1,3 cm) ou plus. En général le fournisseur de gaz propane détermine les matériaux à utiliser et le diamètre approprié.

Raccord métallique flexible :

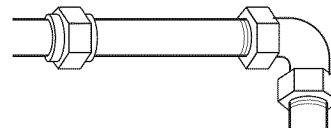
- Si le code local le permet, on peut utiliser pour raccorder la cuisinière à la canalisation de gaz un raccord métallique flexible neuf (homologation CSA) de 4 - 5 pi (122 - 152,4 cm) de longueur, de diamètre interne de 5/8" (1,6 cm) ou 3/4" (1,9 cm).



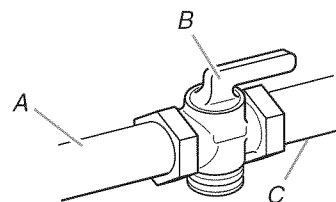
- Un raccord avec filetage mâle de 1/2" (1,3 cm) est nécessaire pour la connexion sur le raccord à filetage femelle à l'entrée du détendeur de l'appareil.
- Veiller à ne pas déformer/écraser/endommager le tube métallique flexible lors d'un déplacement de la cuisinière.

Raccordement par un ensemble rigide :

On doit utiliser une combinaison de raccords pour réaliser un raccordement rigide entre la cuisinière et la canalisation de gaz. Le tuyau rigide doit se trouver au même niveau que le raccord de connexion de la cuisinière. On doit veiller à ne soumettre les sections de canalisation d'alimentation à aucun effort de traction ou flexion, pour que la cuisinière soit d'aplomb et correctement alignée.



- **Robinet d'arrêt manuel nécessaire :**
La canalisation d'alimentation doit comporter un robinet d'arrêt manuel. Le robinet d'arrêt manuel doit être séparé de la cuisinière, mais doit se trouver dans la même pièce en un endroit où il sera facilement accessible pour les manoeuvres d'ouverture/fermeture. Ne pas entraver l'accès au robinet d'arrêt manuel. Le robinet d'arrêt manuel est prévu pour ouvrir ou fermer l'alimentation en gaz de la cuisinière.



A. Canalisation de gaz
B. Robinet d'arrêt manuel - position d'ouverture
C. Vers la cuisinière

Détendeur de gaz

Le détendeur fourni avec cette cuisinière doit être utilisé. Pour un fonctionnement correct, la pression d'alimentation du détendeur doit être comme suit :

Gaz naturel :

Pression minimum : 6" (15,2 cm) (colonne d'eau)

Pression maximum : 14" (35,6 cm) (colonne d'eau)

Gaz propane :

Pression minimum : 11" (27,9 cm) (colonne d'eau)

Pression maximum : 14" (35,6 cm) (colonne d'eau)

En cas d'incertitude quant à la pression d'alimentation à établir, contacter le fournisseur de gaz local.

Débit thermique des brûleurs - Altitude

Les débits thermiques indiqués sur la plaque signalétique correspondent à une altitude d'utilisation inférieure à 2000 pi (609,6 m).

Lorsque l'appareil est utilisé à une altitude supérieure à 2000 pi (609,6 m), on doit réduire le débit thermique indiqué de 4 % pour chaque tranche de 1000 pi (304,8 m).

Tests de pressurisation de la canalisation de gaz

On doit tester le détendeur sous une pression supérieure d'au moins 1" à la pression de la tubulure de distribution indiquée sur la plaque signalétique.

Pressurisation à une pression supérieure à ½ lb/po² (14" - colonne d'eau)

Lors de tout test de pressurisation de ce système à une pression supérieure à ½ lb/po² (3,5 kPa), on doit déconnecter l'appareil et son robinet d'arrêt individuel de la canalisation de gaz.

Pressurisation à une pression relative de ½ lb/po² (14" - colonne d'eau) ou moins

Lors de tout test de pressurisation de la canalisation de gaz à une pression égale ou inférieure à ½ lb/po² (3,5 kPa), on doit isoler l'appareil de la canalisation de gaz par fermeture de son robinet d'arrêt manuel individuel.

INSTRUCTIONS D'INSTALLATION

Déballage de la cuisinière

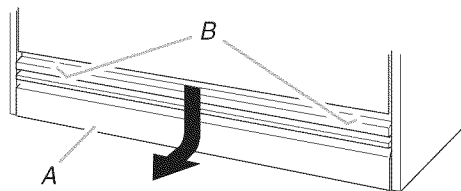
⚠ AVERTISSEMENT

Risque du poids excessif

Utiliser deux ou plus de personnes pour déplacer et installer la cuisinière.

Le non-respect de cette instruction peut causer une blessure au dos ou d'autre blessure.

1. Ôter les matériaux d'emballage, le ruban adhésif et le film protecteur de la cuisinière. Maintenir la palette d'expédition sous la cuisinière. Retirer les grilles de four et le sachet de pièces de l'intérieur du four.
2. Ôter les 2 vis de chaque côté de la partie supérieure de l'évent du fond. Faire glisser l'évent vers le bas et tirer vers soi. Faire reposer cette pièce sur le côté pour éviter d'érafler l'acier inoxydable.

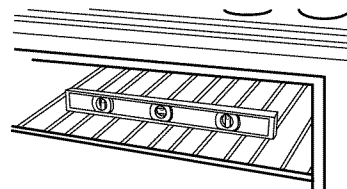


A. Évent du fond
B. Ôter ces vis

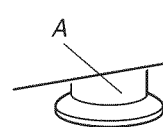
3. Disposer un morceau de carton (provenant du côté de l'emballage) sur le plancher derrière la cuisinière. À 2 personnes ou plus, saisir fermement chaque côté de la cuisinière. Soulever la cuisinière d'environ 3" (8 cm) et la déplacer vers l'arrière jusqu'à la faire descendre de la palette d'expédition. Installer la cuisinière sur le carton pour éviter d'endommager le plancher.

Réglage de l'aplomb de la cuisinière

1. Déplacer la cuisinière près de l'ouverture d'encastrement.
2. Placer la grille dans le four.
3. Placer un niveau sur la grille, d'abord transversalement, puis dans le sens avant/arrière.



4. Si la cuisinière n'est pas d'aplomb, ajuster les pieds vers le haut ou vers le bas. Tourner les manchons des pieds de nivellement pour mettre la cuisinière d'aplomb et pour soulever ou abaisser la cuisinière à la hauteur de comptoir désirée.



A. Manchons de pieds de nivellement

REMARQUE : Le four doit être d'aplomb pour pouvoir obtenir des résultats de cuisson satisfaisants.

Installation de la bride antibasculement

⚠ Avertissement



Risque de basculement

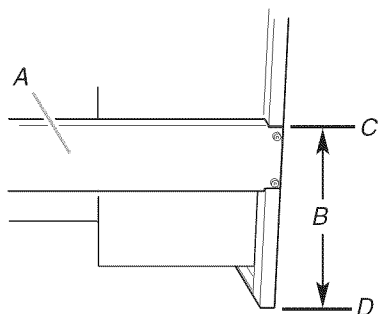
Un enfant ou une personne adulte peut faire basculer la cuisinière ce qui peut causer un décès.

Joindre la bride antibasculement au mur derrière la cuisinière.

Joindre de nouveau la bride antibasculement si la cuisinière est déplacée.

Le non-respect de ces instructions peut causer un décès ou des brûlures graves aux enfants et aux adultes.

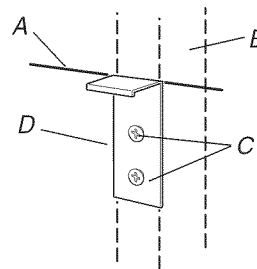
- Choisir la bride antibasculement correcte pour votre installation.
 - Si le mur derrière la cuisinière ne comporte pas de plinthe ou comporte une plinthe mesurant jusqu'à $\frac{3}{8}$ " (0,95 cm) d'épaisseur, utiliser la bride antibasculement de 1" (2,5 cm) la plus courte.
 - Si le mur derrière la cuisinière comporte une plinthe dont l'épaisseur est supérieure à $\frac{3}{8}$ " (0,95 cm), utiliser la bride antibasculement de $1\frac{1}{4}$ " (4,4 cm) la plus longue.
- Localiser un poteau sur le mur derrière la cuisinière. Mesurer la distance entre la partie supérieure de l'entretoise arrière et le plancher.



- A. Entretoise arrière
 B. Distance entre la partie supérieure de l'entretoise arrière et le plancher
 C. Partie supérieure de l'entretoise arrière
 D. Plancher

- Ajouter $\frac{5}{16}$ " (0,79 cm) à la mesure effectuée à l'étape 2. Ceci permettra à la bride antibasculement de glisser par-dessus l'entretoise arrière.

- À l'aide de la mesure finale effectuée à l'étape 3, mesurer à partir du plancher vers le haut et marquer une ligne horizontale sur le mur à l'endroit du poteau mural.



- A. Ligne horizontale marquée à l'étape 4.
 B. Poteau mural
 C. Vis de montage
 D. Bride antibasculement

- Placer la partie supérieure de la bride antibasculement sur la ligne marquée à l'étape 4 et marquer les trous. Percer deux trous de $\frac{1}{8}$ " aux positions marquées sur le mur. Utiliser les vis fournies pour fixer la bride antibasculement au mur.

La bride antibasculement doit être montée solidement sur le poteau du mur derrière la cuisinière. En fonction de l'épaisseur du mur, des vis plus longues peuvent être nécessaires. Des vis plus longues sont disponibles auprès de votre quincaillerie locale.

Fixation du dossier ou de la garniture en îlot

⚠ Avertissement

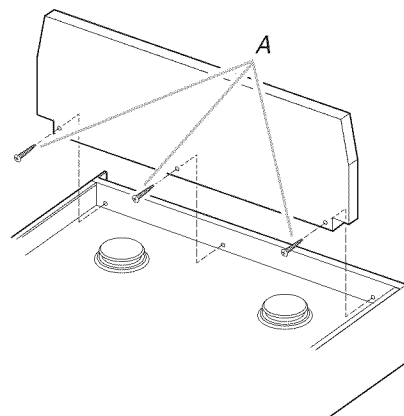
Risque du poids excessif

Utiliser deux ou plus de personnes pour déplacer et installer la cuisinière.

Le non-respect de cette instruction peut causer une blessure au dos ou d'autre blessure.

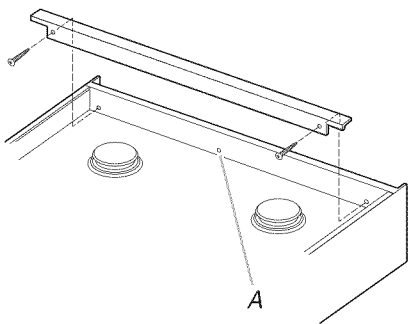
- À deux personnes ou plus, déplacer la cuisinière près de l'ouverture d'encastrement.
- Retirer le carton ou le panneau de fibre dur de sous la cuisinière. Déplacer la cuisinière à son emplacement final.
- Fixer le dossier ou la garniture en îlot en fonction des exigences de l'installation. Voir "Outillage et pièces". Des vis de fixation sont incluses dans le sachet de documentation.

Fixation du dossier



- A. Trois vis à l'avant (4 vis à l'arrière sont nécessaires mais ne sont pas illustrées)

Fixation de la garniture en îlot

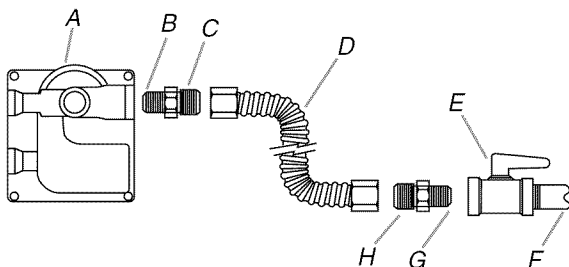


A. Le trou du milieu n'est pas utilisé

- À l'aide de 2 personnes ou plus, incliner la cuisinière en arrière pour que les pieds avant se soulèvent du sol. Faire glisser la cuisinière vers le mur jusqu'à ce que l'entretoise arrière se trouve sous la bride antibasculement. Placer la cuisinière en position verticale, en veillant à ce que la bride antibasculement saisisse l'entretoise arrière.

Raccordement à la canalisation de gaz

- Assembler le raccord flexible du tuyau d'alimentation en gaz avec le détendeur situé sur la partie centrale avant de la cuisinière.
- Appliquer un composé d'étanchéité des filetages résistant au propane sur l'extrémité fileté la plus petite des adaptateurs de raccord flexible (voir B et G ci-dessous).
- Fixer un raccord d'adaptation sur le détendeur et l'autre raccord d'adaptation sur le robinet d'arrêt de la canalisation de gaz. Serrer les deux raccords d'adaptation.
- Utiliser une clé mixte de $\frac{15}{16}$ " et une pince multiprise pour fixer le raccord flexible sur les raccords d'adaptation. Veiller à ne pas déformer/écraser le raccord flexible.

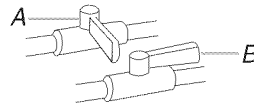


- A. Détendeur
B. Appliquer un composé d'étanchéité.
C. Raccord d'adaptation (avec filetage mâle NPT $\frac{1}{2}$ ")
D. Raccord flexible

- E. Robinet d'arrêt manuel
F. Tuyau de gaz $\frac{1}{2}$ " ou $\frac{3}{4}$ "
G. Appliquer un composé d'étanchéité.
H. Raccord d'adaptation

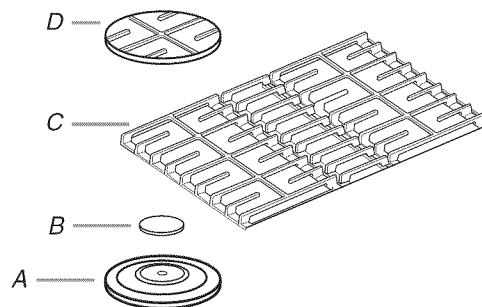
Compléter le raccordement

- Ouvrir le robinet d'arrêt manuel sur la canalisation de gaz (la manette doit être parallèle au tuyau).



A. Robinet d'arrêt fermé
B. Robinet d'arrêt ouvert

- Effectuer une recherche des fuites : appliquer au pinceau sur les connexions une solution non corrosive de détection des fuites; la formation de bulles identifiera une fuite. Éliminer toute fuite constatée.
- Prendre les chapeaux de brûleur, les grilles de brûleur et la plaque de mijotage dans le paquet de pièces. Aligner les encoches des chapeaux de brûleur avec les broches dans la base de chaque brûleur. Un chapeau de brûleur correctement placé doit être horizontal. Si le chapeau de brûleur n'est pas correctement placé, le brûleur ne peut s'allumer. Placer les grilles de brûleur sur les brûleurs et les chapeaux.



A. Base de brûleur
B. Chapeau de brûleur
C. Grille de brûleur
D. Plaque de mijotage

- Ouvrir l'alimentation électrique. "PF" devrait apparaître sur l'affichage de l'horloge. Pour plus d'informations, se référer aux instructions de l'utilisateur situées dans le Guide d'utilisation et d'entretien.

Système d'allumage électronique

Allumage initial et réglages des flammes

Un système d'allumage électronique est utilisé à la place des flammes de veille usuelles pour l'allumage des brûleurs (table de cuisson et four). Lorsqu'on place le bouton de commande d'un brûleur de la table de cuisson à la position "LITE" (allumage), le système génère une étincelle pour l'allumage du brûleur. La génération d'étincelles se poursuit aussi longtemps que le bouton de commande est laissé à la position "LITE".

Contrôle du fonctionnement des brûleurs de la table de cuisson

Pousser et tourner le bouton de commande du brûleur à la position "LITE".

Les flammes doivent s'allumer sur le brûleur en moins de 4 secondes. Lors de l'allumage initial, le délai d'allumage peut être supérieur à 4 secondes du fait de la présence d'air dans la canalisation de gaz.

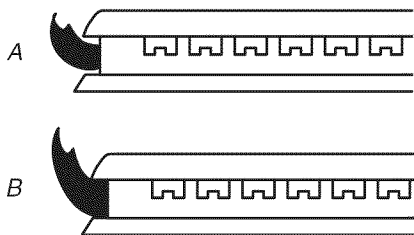
Si le brûleur ne s'allume pas correctement :

- Ramener le bouton de commande de la table de cuisson à la position d'arrêt.
- Vérifier que la cuisinière est branchée et correctement alimentée (fusible grillé? disjoncteur ouvert?)
- Vérifier que chaque robinet d'arrêt est ouvert.
- Vérifier que le chapeau de brûleur est correctement placé sur la base du brûleur.

Répéter le processus de mise en marche. Si à ce point un brûleur ne s'allume pas, contacter le revendeur ou un dépanneur agréé.

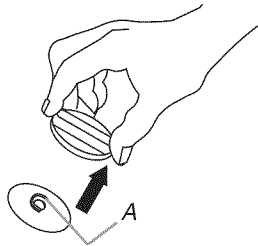
Réglage de la taille des flammes

Régler la taille des flammes sur les brûleurs de la table de cuisson. Pour le réglage au débit thermique minimum, on doit observer des flammes stables bleues de ¼" (0,64 cm).



A. Débit thermique minimum
B. Débit thermique maximum

La vis de réglage au centre de la tige de commande du robinet permet de régler la taille des flammes. La tige de commande est située directement au-dessous du bouton de commande.



A. Vis de réglage

S'il est nécessaire de régler la taille des flammes pour le débit thermique minimum :

1. Ôter le bouton de commande.
2. Immobiliser la tige de commande avec une pince. Utiliser un petit tournevis à lame plate pour faire tourner la vis située au centre de la tige de commande; ajuster les flammes à la taille désirée.
3. Réinstaller le bouton de commande.
4. Tester le fonctionnement du brûleur : faire passer le bouton de commande de la position "LO" (bas) à la position "HI" (élevé) et observer les flammes pour chaque position.

Contrôle du fonctionnement du brûleur du four

1. Tourner le sélecteur du four à BAKE (cuisson au four). La température sélectionnée par défaut apparaît sur l'afficheur.
2. Appuyer sur ENTER. Le premier témoin lumineux de préchauffage s'allume lorsque la température du four commence à augmenter.
3. Lorsque le deuxième témoin lumineux s'allume, ouvrir la porte du four et placer sa main au-dessus du fond du four pour sentir la chaleur. Ne pas toucher le fond du four. Appuyer sur CANCEL (annulation) et tourner le sélecteur du four à RESET (réinitialisation).

Contrôle du fonctionnement du brûleur du grill

1. Fermer la porte du four.
2. Tourner le sélecteur du four à BROIL (gril). "HI" apparaîtra sur l'afficheur de la température.
3. Appuyer sur ENTER. Regarder à travers le hublot du four. L'élément supérieur devrait s'illuminer en rouge et de la chaleur devrait s'échapper par la porte. Appuyer sur CANCEL et tourner le sélecteur du four à RESET (réinitialisation).

Si le four ne fonctionne pas :

- Vérifier que la source d'alimentation est ouverte.
- Vérifier que la cuisinière est branchée, qu'il n'y a pas de fusible grillé et de disjoncteur ouvert.

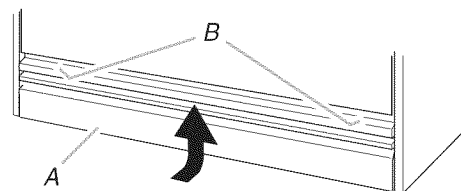
Répéter la procédure de mise en marche. Si le four ne fonctionne toujours pas à ce stade, contacter votre marchand ou la compagnie de service autorisée pour obtenir de l'assistance.

Installation des grilles de brûleurs

Placer les grilles de brûleurs sur les chapeaux de brûleurs. La plaque de mijotage peut reposer sur l'une des grilles ou être remise pour utilisation ultérieure.

Réinstallation de l'évent du fond

1. Insérer les languettes de la partie inférieure de l'évent dans les fentes de la garniture avant.
2. Pousser l'évent vers le haut pour que les trous soient alignés avec la partie supérieure de l'évent.
3. Fixer à nouveau l'évent à l'aide des quatre vis.



A. Évent du fond
B. Fixer à nouveau ces vis

Achever l'installation

1. Vérifier que toutes les pièces sont maintenant installées. S'il reste une pièce, passer en revue les différentes étapes pour découvrir laquelle aurait été oubliée.
 2. Jeter ou recycler tous les matériaux d'emballage
 3. Vérifier que la cuisinière est correctement placée sous le comptoir et qu'elle est d'aplomb. Voir "Réglage de l'aplomb de la cuisinière".
 4. Vérifier que les distances spécifiées entre la cuisinière et les surfaces du placard ont été respectées. Voir "Exigences d'emplacement".
 5. Vérifier que les chapeaux de brûleurs sont correctement placés sur les bases des brûleurs scellés.
 6. Vérifier que le dossier ou la garniture en îlot est installé(e). (Si le dégagement horizontal jusqu'aux matériaux combustibles derrière la surface de cuisson est inférieur à 1" [2,5 cm]).
 7. Vérifier que la cuisinière est raccordée uniquement au type de gaz pour lequel le fonctionnement est agrégé.
 8. Utiliser une solution d'eau tiède et de nettoyant ménager doux pour éliminer tout résidu de cire laissé par les matériaux de protection de l'emballage. Sécher parfaitement avec un linge doux. Pour plus d'informations, consulter la section "Entretien de la cuisinière" dans le Guide d'utilisation et d'entretien.
 9. Lire la section "Utilisation de la cuisinière" dans le Guide d'utilisation et d'entretien.
 10. Mettre en marche les brûleurs de surface et le four. Pour des instructions spécifiques concernant l'utilisation de la cuisinière, consulter le Guide d'utilisation et d'entretien.
- Si la cuisinière ne fonctionne pas, contrôler ce qui suit :**
- Fusible grillé ou desserré? Disjoncteur ouvert?
 - Robinets de gaz à la position (marche/ouvert)?
 - Si le robinet d'arrêt de la canalisation de gaz est ouvert, contacter un technicien qualifié.
 - Prise de courant correctement alimentée?
 - Consulter la section "Dépannage" dans le Guide d'utilisation et d'entretien.

SCHÉMAS DE CÂBLAGE

Mise en garde : Étiqueter tous les conducteurs avant de les débrancher lors d'une intervention sur le module de commande. Une erreur de rebranchement pourrait provoquer un fonctionnement incorrect et une situation dangereuse.

Vérifier le bon fonctionnement de l'appareil après l'intervention.

Schéma de câblage de la table de cuisson

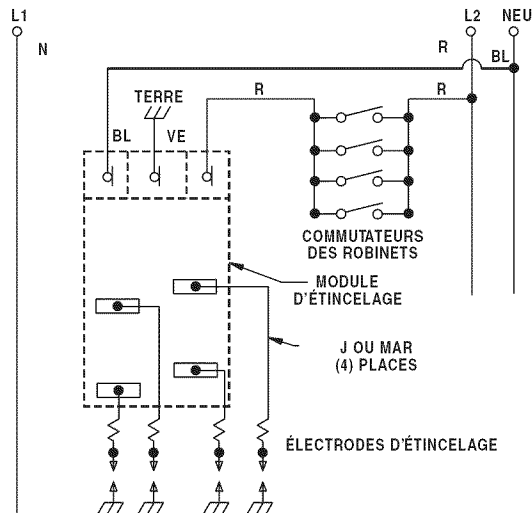
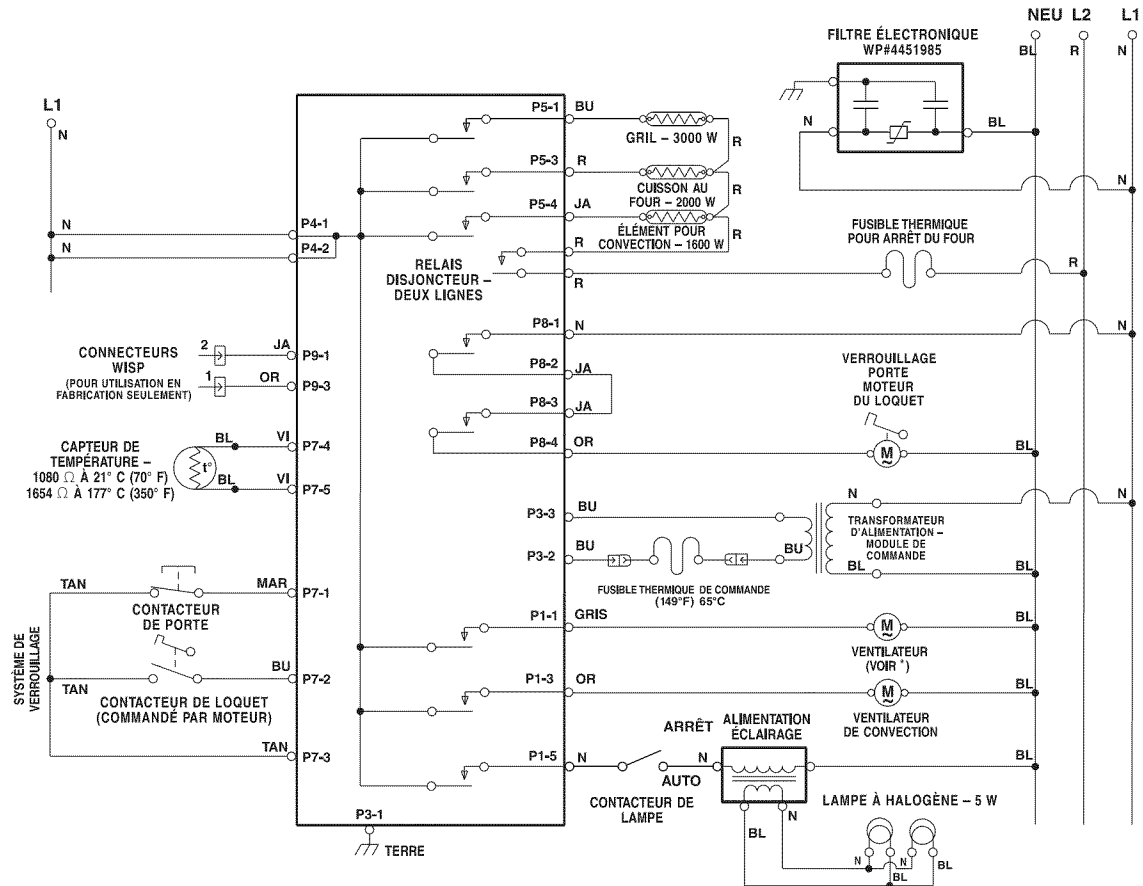


Schéma de câblage du four



*Le ventilateur reste éteint jusqu'à ce que le four atteigne 190°F (88°C) et peut continuer de fonctionner jusqu'à 45 minutes après que le four est éteint.

REMARQUE : Circuit illustré en mode d'attente/arrêt avec porte du four fermée.