

Technical Data

Electrolux Icon
E42BS75EPS - E42BS75ETT

DISCONNECT POWER CORD BEFORE SERVICING IMPORTANT - RECONNECT ALL GROUNDING DEVICES

All parts of this appliance capable of conducting electrical current are grounded. If grounding wires, screws, straps, clips, nuts or washers used to complete a path to ground are removed for service, they must be returned to their original position and properly fastened.

CAUTION

To avoid personal injury when servicing the condensing unit, stand on a ladder which will give enough support to allow removal of the top panel and safely allow access to service the unit.

ELECTRICAL SPECIFICATIONS

Max Defrost Control	
W/No Door Openings	16 hrs
Evap Defrost Thermo	68°F (FZ) 63°F (FF)
Electrical Rating: 115V AC 60 Hz	5.4 amp
Maximum Current Leakage	0.75 mA
Maximum Ground Path Resistance	0.1 Ohms
Energy Consumption Model 42	KWh/mo

NO LOAD PERFORMANCE

CONTROL POSITION 37-0°F and
AMBIENT TEMPERATURE OF 70°F 90°F

Fresh Food, °F	36 - 42	36 - 43
Frozen Food, °F	(-2) - 2	(-2) - 5
Percent Running Time	35 - 45	65 - 75

REFRIGERATION DIAGNOSIS

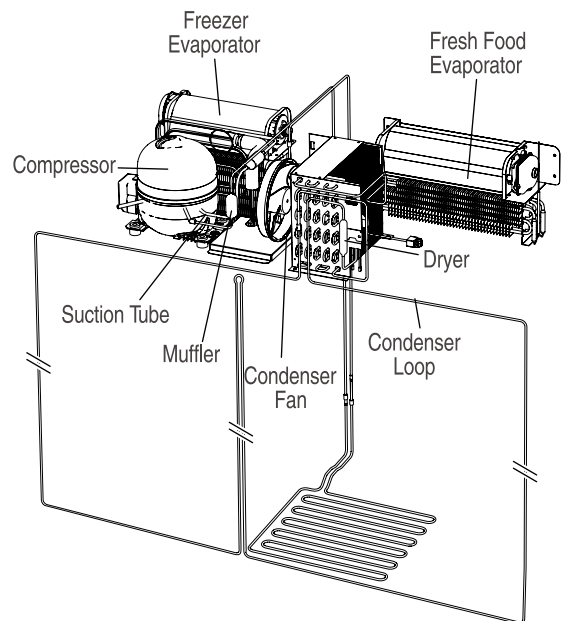
To access the **low pressure** side of the system, install a valve **only** on the process tube extending from the compressor case.

IMPORTANT SAFETY NOTICE

This information is intended for use by individuals possessing adequate backgrounds of electrical, electronic and mechanical experience. Any attempt to repair a major appliance may result in personal injury and property damage. The manufacturer or seller cannot be responsible for the interpretation of this information, nor can it assume any liability in connection with its use.

REFRIGERATION SYSTEM

Compressor	738-1270 BTU/hr
Minimum Compressor Capacity	
Vacuum	26 inches
Minimum Equalized Pressure	
@ 70°F	66 PSIG
@ 90°F	74 PSIG
Refrigerant Charge (R134a)	8.11 oz



COMPONENT RESISTANCE VALUES

FF fan motor	1600 Ω ± 20%
FZ fan motor	1600 Ω ± 20%
Condenser fan motor	1600 Ω ± 20%
Auger motor	3.7 Ω ± 15%
Cube motor	2091 Ω ± 10%
Cover motor	2091 Ω ± 10%
Defrost heater FZ	44 Ω ± 7%
Drain heater FZ	377 Ω ± 7%
Sub-heater FZ	1322 Ω ± 7%
Defrost heater FF	120 Ω ± 7%
Drain heater FF	440 Ω ± 7%
Fill-tube heater	2645 Ω ± 7%
Dispenser heater (Recess)	1889 Ω ± 7%
Compressor (between the different phase)	11.7 Ω ± 7% / 1 phase
3-way valve	40 ± 4 Ω / 1 phase
Water valve (Ice maker)	400 Ω ± 10%
Water valve (Dispenser)	400 Ω ± 10%

Electrolux Icon E42BS75EPS - E42BS75ETT

