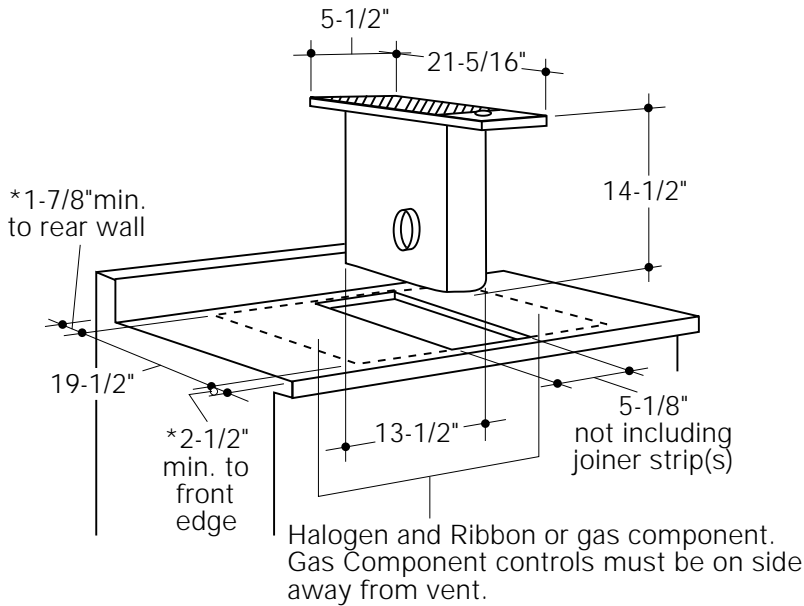




Monogram™

ZEW176Y—Downdraft Vent Component

Dimensions and Specifications (in inches)



* When installed, the following minimum clearances must be maintained:
2" from front of cooktop to front edge of countertop. 1" from back of cooktop to rear wall. 1" from side of cooktop to side wall.

Cutout Dimensions:

W 5-1/8"
L 19-1/2"

Note: 120 Volts.

Optional Accessory Kit: Pub. No 3-A010
Remote location of blower control, for added convenience and safety.

Important Information: Multiple component installations require joiner strips between components. Add 1/4" to total cutout for each downdraft vent-to-component connection; add 3/4" to total cutout for each component-to-component connection. See Monogram Component Cooktop Installation Instructions, Pub. No. 49-8834 for specific installation requirements.

For answers to your Monogram®, GE Profile™, GE, Hotpoint and RCA appliance questions, call GE Answer Center® service, 800.626.2000.





Monogram™

ZEW176Y—Downdraft Vent Component

Features and Benefits

- Stainless Steel Model
- Downdraft Vent with Variable Speed Control
- 500 CFM Downdraft Vent Performance
- Remote Blower Capability
- Stainless Steel Component Surround
- Mix or Match Component Capability
- Installation Horizontally or Vertically
- Model ZEW176YSS—Stainless Steel