

---

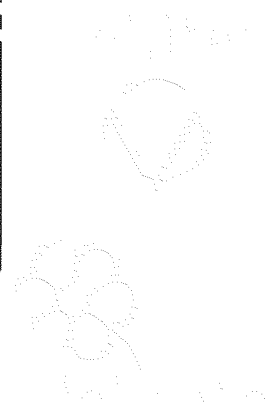
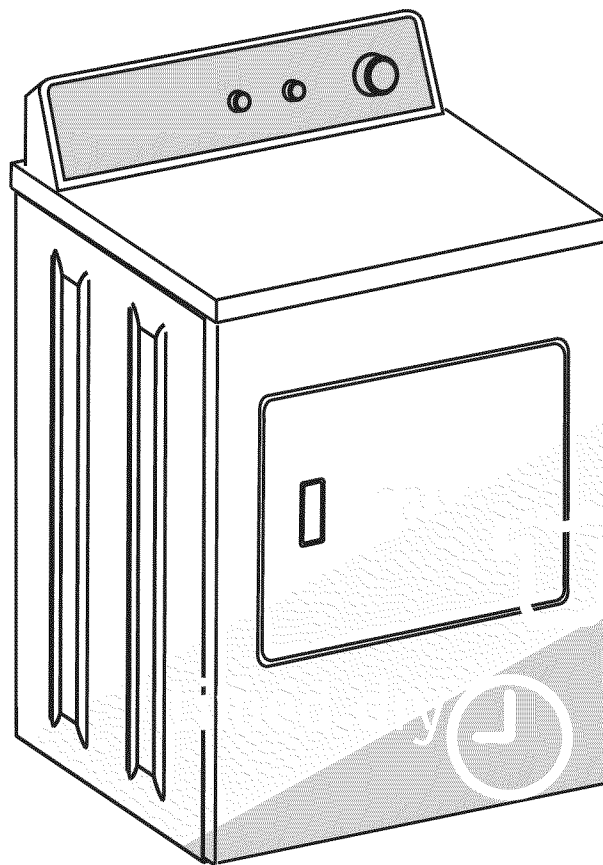
*Frigidaire*<sup>®</sup>

## **Use & Care Guide**

Gas & Electric Dryer

## **Guide d'utilisation et d'entretien**

Sécheuse à Gaz ou Électrique



---

## Table of Contents

|                                     |     |                               |    |
|-------------------------------------|-----|-------------------------------|----|
| Product Registration.....           | 2   | Common Drying Problems .....  | 7  |
| Important Safety Instructions ..... | 2-4 | Avoid Service checklist ..... | 8  |
| Drying Procedures.....              | 4   | Warranty .....                | 9  |
| Operating Instructions.....         | 5   | Notes.....                    | 10 |
| Features.....                       | 6   | Français .....                | 11 |
| Care and Cleaning .....             | 6-7 |                               |    |

---

## Product Record

### Read and Save These Instructions Record Your Model and Serial Numbers

The model and serial numbers of your dryer are found on the dryer serial plate located on the left side of the door opening. Record and retain these numbers.

**Model Number** \_\_\_\_\_

**Serial Number** \_\_\_\_\_

**Purchase Date** \_\_\_\_\_

Read all instructions before using this appliance. This book contains valuable information about:

- Operation
- Care
- Service

Keep it in a safe place.

This Use and Care Guide provides general operating instructions for your dryer. It also contains information about features for several other models. Your dryer may not have every feature included.

Use the dryer only as instructed in this *Use & Care Guide* and the *Operating Instructions* included with your dryer.

---

## Important Safety Instructions

### Recognize safety symbols, words and labels

Safety items throughout this manual are labeled with a WARNING or CAUTION based on the risk type as described below:

**⚠ WARNING** This symbol alerts you to situations that may cause serious body harm, death or property damage.

**⚠ CAUTION** This symbol alerts you to situations that may cause bodily injury or property damage.

**Save these instructions for future reference.**

**⚠ WARNING** For your safety the following information in this manual must be followed to minimize the risk of fire or explosion or to prevent property damage, personal injury or death.

Do not store or use gasoline or other flammable vapors and liquids in the vicinity of this or any other appliance.

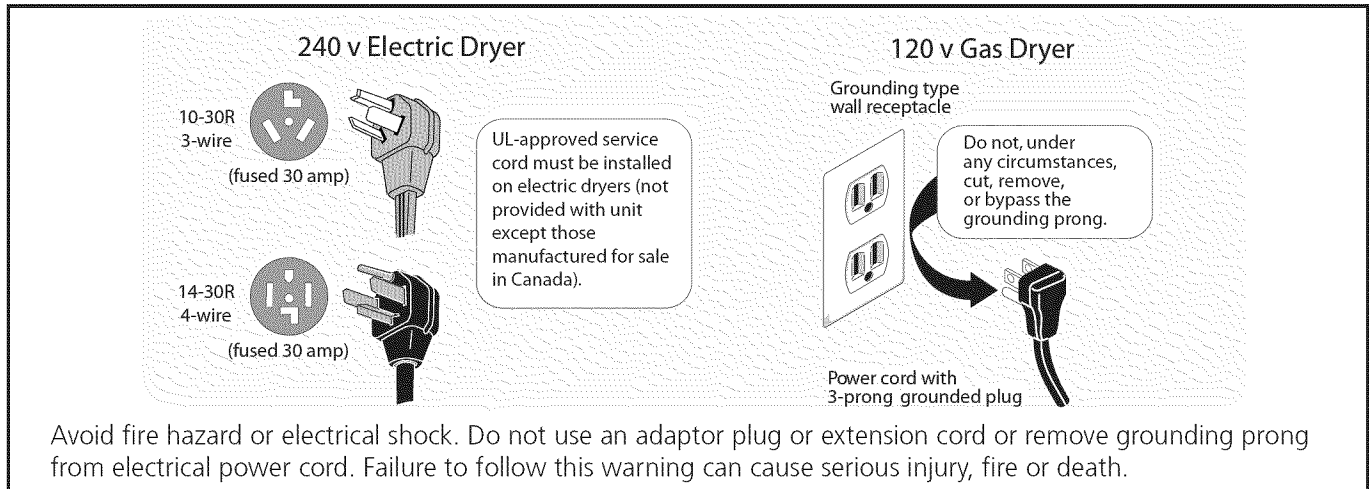
#### WHAT TO DO IF YOU SMELL GAS:

- Do not try to light any appliance.
- Do not touch any electrical switch; do not use any phone in your building.
- Clear the room, building or area of all occupants.
- Immediately call your gas supplier from a neighbor's phone. Follow the gas supplier's instructions.
- If you cannot reach your gas supplier, call the fire department.

Installation and service must be performed by a qualified installer, service agency or the gas supplier.

**⚠ CAUTION** The California Safe Drinking Water and Toxic Enforcement Act requires the Governor of California to publish a list of substances known to the state to cause cancer, birth defects or other reproductive harm, and requires businesses to warn customer of potential exposure to such substances. Included in this list are soot and carbon monoxide, both of which may be produced by the use of this product.

## Important Safety Instructions, con't



**⚠ WARNING** To reduce the risk of fire, electrical shock, or injury to persons when using this Dryer, comply with the basic warnings listed below. Failure to comply with these warnings could result in serious personal injuries. You can be killed or seriously injured if you don't follow these Important Safety Instructions:

### PREVENT FIRE

- Do not dry items that have been previously cleaned in, soaked in, or spotted with gasoline, cleaning solvents, kerosene, waxes, etc. Do not store these items on or near the dryer. These substances give off vapors that could ignite or explode.
- Do not place items exposed to cooking oils in your dryer. Items contaminated with cooking oils may contribute to a chemical reaction that could cause a load to catch fire.
- Do not dry articles containing rubber, plastic or similar materials such as bras, galoshes, bath mats, rugs, bibs, baby pants, plastic bags and pillows that may melt or burn. Some rubber materials, when heated, can under certain circumstances produce fire by spontaneous combustion.
- Clean the lint screen before or after each load. The interior of the dryer, lint screen housing and exhaust duct should be cleaned approximately every 18 months by qualified service personnel. An excessive amount of lint build-up in these areas could result in inefficient drying and possible fire. See Care and Cleaning.
- Do not operate the dryer if the lint screen is blocked, damaged or missing. Fire hazard, overheating and damage to fabrics can occur.

**⚠ WARNING - FIRE HAZARD** - A clothes dryer produces combustible lint. The dryer must be connected to an outdoors exhaust. Regularly inspect the outdoor exhaust opening and remove any accumulation of lint around the opening and in the surrounding area.

- Do not obstruct the flow of ventilating air. Do not stack or place laundry or throw rugs against the front or back of the dryer.
- Do not spray any type of aerosol into, on or near dryer at any time.
- Do not use fabric softeners or products to eliminate static unless recommended by the manufacturer of the fabric softener or product.

- Do not continue to use the dryer if you hear squeaking, grinding, rubbing or other unusual noises. This could be a sign of mechanical breakdown and lead to fire or serious injury. Contact a qualified technician immediately.
- Failure to comply with these warnings could result in fire, explosion, serious bodily injury and/or damage to the rubber or plastic parts of the dryer.

### PROTECT CHILDREN

- Do not allow children to play on or in the dryer. Close supervision of children is necessary when the dryer is used near children. As children grow, teach them the proper, safe use of all appliances.
- Destroy the carton, plastic bag and other packing materials after the dryer is unpacked. Children might use them for play. Cartons covered with rugs, bedspreads or plastic sheets can become airtight chambers.
- Keep laundry products out of children's reach. To prevent personal injury, observe all warnings on product labels.
- Before the dryer is removed from service or discarded, remove the dryer door to prevent accidental entrapment.
- Failure to comply with these warnings could result in serious personal injuries.

### PREVENT INJURY

- To prevent shock hazard and assure stability during operation, the dryer must be installed and electrically grounded by a qualified service person in accordance with local codes. Installation instructions are packed in the dryer for the installer's reference. Refer to **INSTALLATION INSTRUCTIONS** for detailed grounding procedures. If the dryer is moved to a new location, have it checked and reinstalled by a qualified service person.
- To prevent personal injury or damage to the dryer, the electrical power cord of a gas dryer must be plugged into a properly grounded and polarized 3-prong outlet. The third grounding prong must never be removed. Never ground the dryer to a gas pipe. Do not use an extension cord or an adaptor plug.

## Important Safety Instructions, con't

- ALWAYS disconnect the dryer from the electrical supply before attempting any service or cleaning. Failure to do so can result in electrical shock or injury.
- Do not use any type spray cleanser when cleaning dryer interior. Hazardous fumes or electrical shock could occur.
- To prevent injury, do not reach into the dryer if the drum is moving. Wait until the dryer has stopped completely before reaching into the drum.

### PREVENT INJURY AND DAMAGE TO THE DRYER

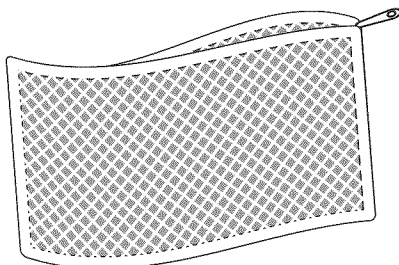
- All repairs and servicing must be performed by an authorized servicer unless specifically recommended in this Owner's Guide. Use only authorized factory parts.
- Do not tamper with controls.
- Do not install or store the dryer where it will be exposed to the weather.

- A thermal limiter switch automatically turns off the motor in the unlikely event of an overheated situation (electric dryers only). A service technician must replace the thermal limiter switch after correcting the fault.
- Failure to comply with these warnings could result in serious personal injuries.

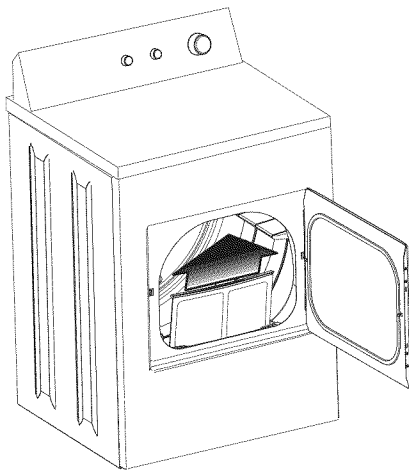
**NOTE** The instructions appearing in this Use and Care Guide are not meant to cover every possible condition and situation that may occur. Common sense and caution must be practiced when installing, operating and maintaining any appliance.

## Drying Procedures

**⚠ WARNING** To reduce the risk of fire, electric shock or injury to persons, read the IMPORTANT SAFETY INSTRUCTIONS in this *Use and Care Guide* before operating your dryer.



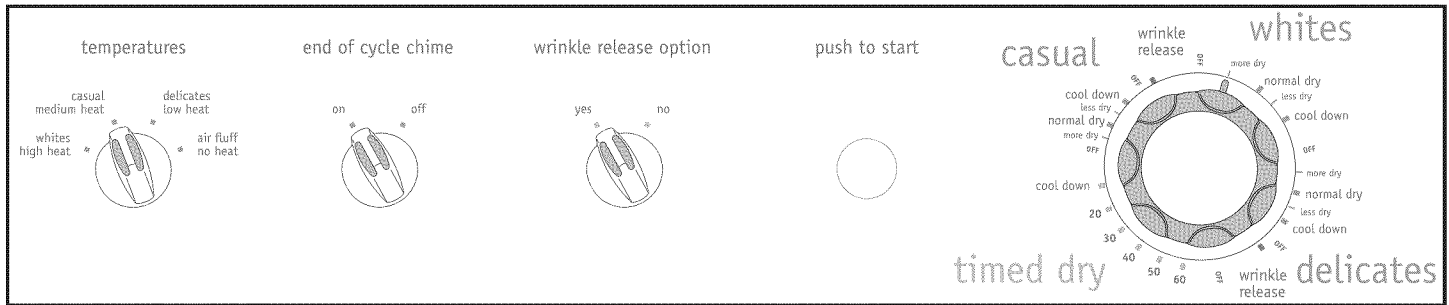
(Mesh bag not included.)



**IMPORTANT** Clean the lint filter after every load.

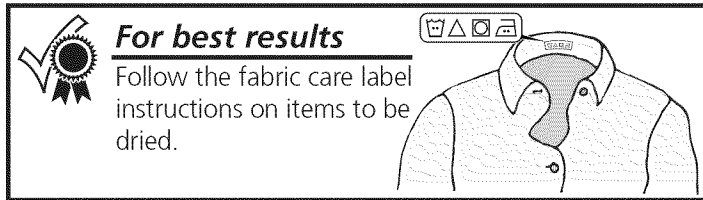
1. **Prepare load for drying.**
  - Dry items of similar fabric, weight and construction in the same load.
  - Separate dark items from light-colored items. Separate items that shed lint from those that attract lint.
  - Check for stains which may not have been removed in washing. Repeat stain removal process and wash again before drying. Dryer heat may permanently set some stains.
  - Place delicate or small items in a mesh bag.
  - Be sure buckles, buttons and trim are heatproof and won't damage the drum finish. Close zippers; fasten hooks and Velcro®-like fasteners. Tie strings and sashes to prevent snagging and tangling.
2. **Check that the lint filter is clean and in place.**
3. **Load the dryer and close the door.**
  - Load items loosely. The average wet load will fill the drum 1/3 to 1/2 full. Items need room to tumble freely for even drying and less wrinkling.
  - If desired, place a dryer fabric softener sheet on top of the load at the beginning of the cycle.
  - To save energy and time and avoid uneven drying and wrinkling, do not overload the dryer.
  - When drying large items, dry only two or three items at a time. Fill out the load with small and medium sized items.
  - For delicate or very small loads, add two or three similar items to improve tumbling action.
4. **Select the appropriate cycle and settings for each load.**
  - See *Operating Instructions* for your specific model.
5. **Start the cycle.**
  - To add or remove items when the dryer is running, open the door. The dryer will stop when the door is opened. Allow the drum to come to a complete stop before reaching inside.
  - Close the door and press Start to resume the cycle.
6. **When the cycle ends, remove items immediately and hang or fold.**

# Operating Instructions



## Cycle Selection

Turn cycle selector clockwise to desired cycle and setting.



Each cycle ends with a cool down period. The heat automatically turns off and the load continues to tumble during the cool down period. This reduces wrinkling and makes items easier to handle during unloading.

Drying time varies depending on size and dampness of load and fabric type. Room temperature and humidity, type of installation and electrical voltage or gas pressure can also affect drying time.

### AUTO DRY CASUAL

This cycle is best for permanent press items. Drying time is determined automatically at the temperature selection of your choice.

- **Casual medium heat** is suggested for permanent press items.
- Initially set cycle selector on **normal dry**.
- For items requiring more drying time, set cycle selector on **more dry**.
- For items requiring less drying time, set cycle selector on **less dry**.
- A signal will sound toward the end of the cool down period when the **end of cycle chime** is turned on.
- If the **wrinkle release** option is turned to **yes**, the cycle selector will advance to the **wrinkle release** setting. Unheated tumbling continues during **wrinkle release** for 16 minutes to help reduce wrinkling if the dried load cannot be removed promptly. A signal will sound briefly every five minutes as a reminder to remove the load when the **end of cycle chime** is turned on.

### AUTO DRY WHITES

This cycle is best for cotton items. Drying time is determined automatically at the temperature selection of your choice.

- **Whites high heat** is suggested for cotton items.
- Initially set cycle selector on **normal dry**.
- For items requiring more drying time, set cycle selector on **more dry**.
- For items requiring less drying time, set cycle selector on **less dry**.

### AUTO DRY DELICATES

This cycle is best for knit and delicate items. Drying time is determined automatically at the temperature selection of

your choice.

- **Delicates low heat** is suggested for knit and delicate items.
- Initially set cycle selector on **normal dry**.
- For items requiring more drying time, set cycle selector on **more dry**.
- For items requiring less drying time, set cycle selector on **less dry**.
- If the **wrinkle release** option is turned to **yes**, the cycle selector will advance to the **wrinkle release** setting. Unheated tumbling continues during **wrinkle release** for 16 minutes to help reduce wrinkling if the dried load cannot be removed promptly. A signal will sound briefly every five minutes as a reminder to remove the load when the **end of cycle chime** is turned on.

### TIMED DRY

This cycle provides approximately 60 minutes of drying time at the temperature selection of your choice.

## Temperature Selection

Always follow directions on fabric care labels.

**WARNING - FIRE HAZARD** - To avoid fire hazard, do not use heat to dry items containing feathers or down, foam rubber, plastics, or similarly textured, rubber-like materials. Use the Timed Dry cycle and the Air Fluff/No Heat setting.

The **whites-high heat**, **casual-medium heat**, and **delicates-low heat** temperature settings may be used with any cycle setting. The **air fluff-no heat** setting can be used only in the **Timed Dry** cycle. **Air fluff-no heat** setting tumbles the load without heat. Use **air fluff** to freshen clothing, pillows or blankets, or to dust draperies.

## Energy Saving Tips

- Keep the lint screen clean and exhaust the dryer correctly.
- Sort laundry properly and select proper temperature and cycle settings. Choose an automatic dry cycle whenever possible for accurate drying time.
- Dry only full loads. Single items and small loads usually take longer to dry.
- Avoid overloading, adding wet items to a partially dry load, and overdrying.
- Dry one load after another to take advantage of a warm dryer.
- Opening the door needlessly causes warm air to escape, which prolongs drying time.
- If possible, use the dryer on low humidity days.
- Install the dryer in an area where the room temperature is at least 45°F (7°C).

## Features

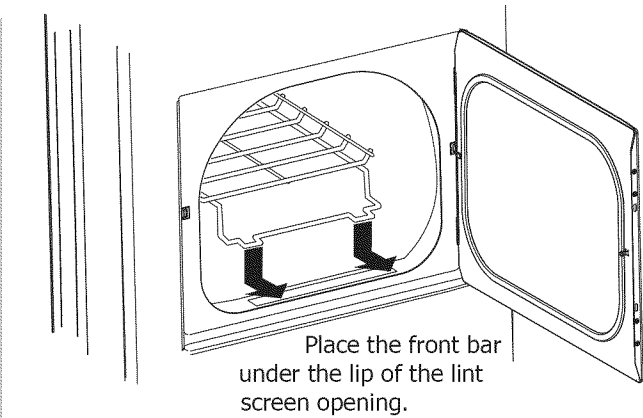
### END OF CYCLE SIGNAL

A signal will sound at the end of the cycle and periodically during **wrinkle release** (some models) if selected.

### DRYING RACK (some models)

Use the drying rack to dry items which should not be tumble dried.

1. Open the dryer door and remove the lint screen.
2. Insert drying rack into the dryer drum. Place the front bar under the lip of the lint screen opening.
3. Place items to be dried on top of the rack. Weight should not exceed 10 lbs. Leave space between items, but do not let items hang over the sides or through the grids. Do not tumble other items when using the drying rack.
4. Select Timed Dry. Use only the Air Fluff/No Heat option for items containing plastic, foam rubber, rubber-like materials, feathers or down.
5. When items are dry, remove the rack and replace the lint screen. If lint screen is not in place, tumbling items could enter the exhaust system and cause damage to the dryer.



### DRUM LIGHT (some models)

The drum light will come on whenever the door is opened to illuminate the drum during loading and unloading. Closing the door turns off the light.

### REVERSIBLE DOOR

Your dryer is equipped with a reversible door. The door can be hinged on the right or left side.

**NOTE** For step-by-step instructions on DOOR REVERSAL, refer to the **Installation Instructions** supplied with this dryer.

## Care and Cleaning

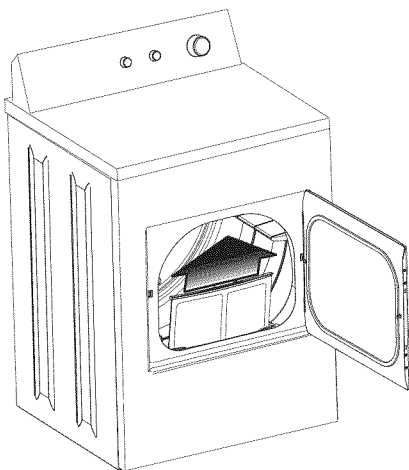
**⚠ WARNING - FIRE HAZARD** - A clothes dryer produces combustible lint. The dryer must be connected to an outdoors exhaust. Regularly inspect the outdoor exhaust opening and remove any accumulation of lint around the opening and in the surrounding area.

**⚠ WARNING** To reduce risk of fire or serious injury to persons or property, comply with the basic warnings listed in the Important Safety Instructions and those listed below.

- Before cleaning the dryer interior, unplug the electrical power cord to avoid electrical shock hazards.
- Do not use any type spray cleanser when cleaning the dryer interior. Hazardous fumes or electrical shock could occur.

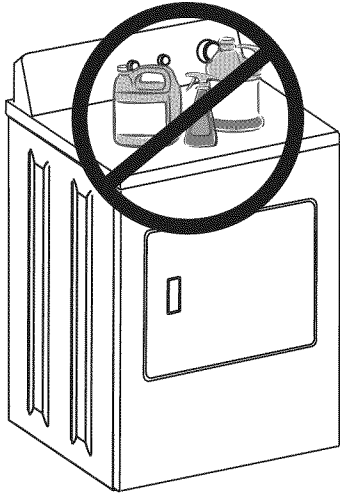
### INSIDE

- Clean the lint filter after every load. Lint build-up on the filter restricts air flow, which causes longer drying times. The filter is located at the bottom of the door opening. Remove by pulling straight up. Remove the lint and replace the filter.
- Occasionally a waxy build-up may form on the lint filter and/or moisture sensing bars from using dryer-added fabric softener sheets. To remove this build-up, wash them with warm, soapy water. Dry the filter thoroughly and replace. Do not operate the dryer without the lint filter in place.
- If the dryer drum becomes stained from noncolorfast fabrics, clean the drum with a damp cloth and a mild liquid household cleanser. Remove cleanser residue before drying the next load.
- Every 18 months an authorized servicer should clean the dryer cabinet interior and exhaust duct. These areas can collect lint and dust over time. An excessive amount of lint build-up could result in inefficient drying and possible fire hazard.



**IMPORTANT** Clean the lint filter after every load.

## Care and Cleaning, con't



**IMPORTANT** Do not store or place laundry products on top of dryer at any time. They can damage the finish or controls.

### OUTSIDE

- Clean the cabinet with mild soap and water. Never use harsh, gritty or abrasive cleansers.
- If the cabinet becomes stained, clean with diluted chlorine bleach (1 part bleach to 8 parts water). Rinse several times with clear water.
- Remove glue residue from tape or labels with a mixture of warm water and mild detergent. Or, touch residue with the sticky side of the tape or label.
- When cleaning chrome parts use a window cleaner with ammonia or mild soap and water.
- Before moving the dryer, place a strip of cardboard or thin fiberboard under the front leveling legs to prevent damage to the floor.

## Common Drying Problems

Many drying problems involve poor cleaning results, poor soil and stain removal, residues of lint and scum, and fabric damage. For satisfactory drying results, follow these suggestions provided by The Soap and Detergent Association.

| PROBLEM  | POSSIBLE CAUSES  | SOLUTIONS  | PREVENTIVE MEASURES   |
|--|--|--|---|
| Greasy, oily stains                                      | <ul style="list-style-type: none"> <li>• Fabric softener sheet.</li> </ul>   | <ul style="list-style-type: none"> <li>• Rub fabric softener stains with bar soap. Rinse and rewash.</li> </ul>  | <ul style="list-style-type: none"> <li>• Add a few bath towels to small loads for proper tumbling.</li> <li>• Some "silk-like" fabrics should be air dried.</li> <li>• Use proper drying temperature.</li> <li>• Place fabric softener sheet on top of load before starting the dryer.</li> </ul> |
| Lint   | <ul style="list-style-type: none"> <li>• Overloading.</li> <li>• Overdrying causes static electricity.</li> <li>• Lint screen not clean when cycle began.</li> <li>• Lint is attached to "pills."</li> </ul> | <ul style="list-style-type: none"> <li>• Reduce load size and rewash using liquid fabric softener in the final rinse.</li> <li>• Or, add a fabric softener sheet and tumble without heat.</li> <li>• Use lint brush or roller to remove lint.</li> </ul> | <ul style="list-style-type: none"> <li>• Do not overload dryer.</li> <li>• Use fabric softener in washer or dryer to reduce static electricity.</li> <li>• Remove items when they are slightly damp to avoid overdrying.</li> <li>• Check that lint filter is clean and in place.</li> </ul>      |
| Pilling (Fibers break off, ball up and cling to fabric.) | <ul style="list-style-type: none"> <li>• Overdrying.</li> </ul>  | <ul style="list-style-type: none"> <li>• Use a lint brush or shaver to remove pills.</li> </ul>  | <ul style="list-style-type: none"> <li>• Use fabric softener to lubricate fibers.</li> <li>• When ironing, use spray starch or fabric finish on collars and cuffs.</li> <li>• Turn items inside out to reduce abrasion.</li> </ul>  |
| Shrinking  | <ul style="list-style-type: none"> <li>• Temperature too high.</li> <li>• Overdrying.</li> </ul>   | <ul style="list-style-type: none"> <li>• Irreversible condition.</li> </ul>  | <ul style="list-style-type: none"> <li>• Follow fabric care label directions.</li> <li>• If shrinking is a concern, check load often.</li> <li>• Remove items while slightly damp and hang or lay flat to complete drying.</li> <li>• Block knits into shape.</li> </ul>                          |
| Wrinkling  | <ul style="list-style-type: none"> <li>• Overloading.</li> <li>• Leaving items in dryer after cycle ends.</li> </ul>   | <ul style="list-style-type: none"> <li>• Reduce load size and tumble at medium or low heat for 5-10 minutes.</li> <li>• Remove items immediately. Hang or fold.</li> </ul>   | <ul style="list-style-type: none"> <li>• Do not overload dryer.</li> <li>• Remove items as soon as cycle ends.</li> </ul>   |

## Avoid Service Checklist

Before calling for service, review this list. It may save both time and expense. The list includes common occurrences that are not the result of defective workmanship or materials in this dryer.

| OCCURRENCE   | POSSIBLE CAUSE   | SOLUTION  |
|--|--|---|
| Dryer does not start.  | Electrical power cord is not securely plugged in or plug may be loose.   | Make sure the plug fits tightly in wall outlet.   |
|  | House fuse blown or circuit breaker tripped.   | Reset circuit breaker or replace fuse.  |
|  | Thermal limiter tripped.   | Make sure electrical line is not overloaded and the dryer is on a separate circuit.<br>Call authorized service person for replacement.  |
| Dryer runs but won't heat.   | There are 2 house fuses in the dryer circuit. If 1 of the 2 fuses is blown, the drum may turn but the heater will not operate. (electric models) | Replace fuse.   |
|  | Gas supply valve is not open (gas models).   | Check to make sure supply valve is open. See INSTALLATION INSTRUCTIONS for procedure.   |
|  | Dryer does not have enough air supply to support the burner flame (gas models).  | See INSTALLATION INSTRUCTIONS.  |
|  | LP gas supply tank is empty or there has been a utility interruption of natural gas (gas models).  | Refill or replace tank.<br>Dryer should heat when utility service is restored.  |
| Drying cycle takes too long, outside of the dryer feels too hot or smells hot. | Lint filter is clogged with lint.  | Make sure all lint has been removed from the dryer lint filter before starting each cycle.  |
|  | Exhaust duct requirements have not been met.   | Exhaust duct must be at least 4 inches in diameter and made of rigid or semi-rigid metal.<br>When in place, the duct must have no more than two 90° bends and must not exceed length listed in INSTALLATION INSTRUCTIONS. |
|  | Electric dryer is connected to a 208 volt circuit.   | Drying time will be 20% longer than drying on a 240 volt circuit.   |
|  | Drying procedures have not been followed.  | See "Operating Instructions."   |
|  | Outside exhaust hood or exhaust duct may be clogged or restricted.   | Clean out any obstruction.  |
|  | High humidity.   | Use a dehumidifier near the dryer.  |
|  | Excessive wrinkling.   | Dryer is overloaded.  |
| Items left in dryer too long.  |  | Remove items as soon as cycle ends.   |
| Insufficient sorting of items.   |  | See "Operating Instructions."   |
| Drying temperature too high.   |  | Follow fabric care label instructions.  |
| Scratching or chipping of the drum finish.                                     | Foreign objects such as coins, pins, clips or buttons are inside the dryer.*   | Always remove foreign objects from pockets before laundering. Remove objects from drum and restart dryer.   |
|  | Permanently attached items such as belt buckles, zippers and fasteners may be hitting the inside of the drum.*                                   | It may be necessary to sew a scrap of material securely around ornaments before drying to prevent scratching and damage to the dryer.   |

\*Drum damage caused by foreign objects or permanently attached items is not covered by the warranty.



# Major Appliance Warranty Information

Your appliance is covered by a one year limited warranty. For one year from your original date of purchase, Electrolux will pay all costs for repairing or replacing any parts of this appliance that prove to be defective in materials or workmanship when such appliance is installed, used and maintained in accordance with the provided instructions.

## Exclusions

This warranty does not cover the following:

1. Products with original serial numbers that have been removed, altered or cannot be readily determined.
2. Product that has been transferred from its original owner to another party or removed outside the USA or Canada.
3. Rust on the interior or exterior of the unit.
4. Products purchased "as-is" are not covered by this warranty.
5. Food loss due to any refrigerator or freezer failures.
6. Products used in a commercial setting.
7. Service calls which do not involve malfunction or defects in materials or workmanship, or for appliances not in ordinary household use or used other than in accordance with the provided instructions.
8. Service calls to correct the installation of your appliance or to instruct you how to use your appliance.
9. Expenses for making the appliance accessible for servicing, such as removal of trim, cupboards, shelves, etc., which are not a part of the appliance when it is shipped from the factory.
10. Service calls to repair or replace appliance light bulbs, air filters, water filters, other consumables, or knobs, handles, or other cosmetic parts.
11. Surcharges including, but not limited to, any after hour, weekend, or holiday service calls, tolls, ferry trip charges, or mileage expense for service calls to remote areas, including the state of Alaska.
12. Damages to the finish of appliance or home incurred during installation, including but not limited to floors, cabinets, walls, etc.
13. Damages caused by: services performed by unauthorized service companies; use of parts other than genuine Electrolux parts or parts obtained from persons other than authorized service companies; or external causes such as abuse, misuse, inadequate power supply, accidents, fires, or acts of God.

## DISCLAIMER OF IMPLIED WARRANTIES; LIMITATION OF REMEDIES

CUSTOMER'S SOLE AND EXCLUSIVE REMEDY UNDER THIS LIMITED WARRANTY SHALL BE PRODUCT REPAIR OR REPLACEMENT AS PROVIDED HEREIN. CLAIMS BASED ON IMPLIED WARRANTIES, INCLUDING WARRANTIES OF MERCHANTABILITY OR FITNESS FOR A PARTICULAR PURPOSE, ARE LIMITED TO ONE YEAR OR THE SHORTEST PERIOD ALLOWED BY LAW, BUT NOT LESS THAN ONE YEAR. ELECTROLUX SHALL NOT BE LIABLE FOR CONSEQUENTIAL OR INCIDENTAL DAMAGES SUCH AS PROPERTY DAMAGE AND INCIDENTAL EXPENSES RESULTING FROM ANY BREACH OF THIS WRITTEN LIMITED WARRANTY OR ANY IMPLIED WARRANTY. SOME STATES AND PROVINCES DO NOT ALLOW THE EXCLUSION OR LIMITATION OF INCIDENTAL OR CONSEQUENTIAL DAMAGES, OR LIMITATIONS ON THE DURATION OF IMPLIED WARRANTIES, SO THESE LIMITATIONS OR EXCLUSIONS MAY NOT APPLY TO YOU. THIS WRITTEN WARRANTY GIVES YOU SPECIFIC LEGAL RIGHTS. YOU MAY ALSO HAVE OTHER RIGHTS THAT VARY FROM STATE TO STATE.

## If You Need Service

Keep your receipt, delivery slip, or some other appropriate payment record to establish the warranty period should service be required. If service is performed, it is in your best interest to obtain and keep all receipts. Service under this warranty must be obtained by contacting Electrolux at the addresses or phone numbers below.

This warranty only applies in the USA and Canada. In the USA, your appliance is warranted by Electrolux Major Appliances North America, a division of Electrolux Home Products, Inc. In Canada, your appliance is warranted by Electrolux Canada Corp. Electrolux authorizes no person to change or add to any obligations under this warranty. Obligations for service and parts under this warranty must be performed by Electrolux or an authorized service company. Product features or specifications as described or illustrated are subject to change without notice.

USA  
1.800.944.9044  
Electrolux Major Appliances  
North America  
P.O. Box 212378  
Augusta, GA 30907



Canada  
1.800.265.8352  
Electrolux Canada Corp.  
5855 Terry Fox Way  
Mississauga, Ontario, Canada  
L5V 3E4

---

## *Notes*

**3 Ways To Contact Us!**  
**¡3 formas de contactar nos!**  
**3 façons de nous contacter!**

---

**USA, EE.UU., É.-U.,  
1-800-944-9044**

**CANADA, CANADÁ  
1-800-265-8352  
(English)(Français)**

Or, O, Ou

**USA, EE.UU., É.-U.**

Electrolux Major Appliances North America,  
a division of Electrolux Home Products, Inc.  
P.O. Box 212378  
Augusta, GA 30917

**CANADA, CANADÁ**


Electrolux Major Appliances North America,  
a division of Electrolux Home Products, Inc.  
5855 Terry Fox Way  
Mississauga, Ontario, Canada  
L5R 4C2

Or, O, Ou

**Visit Frigidaire's Web Site at:  
Visite la página de Frigidaire en Internet:  
Visitez le site Internet de Frigidaire au:**

**<http://www.frigidaire.com>**

© 2005 Electrolux Major Appliances North America,  
a division of Electrolux Home Products, Inc.

 *The Electrolux Group. The world's No. 1 choice.*

The Electrolux Group is the world's largest producer of powered appliances for kitchen, cleaning and outdoor use combined. More than 55 million Electrolux Group products (such as refrigerators, cookers, washing machines, vacuum cleaners, chain saws and lawn mowers) are sold each year to a value of approximately USD 14 billion in more than 150 countries around the world.

PRINTED IN USA