

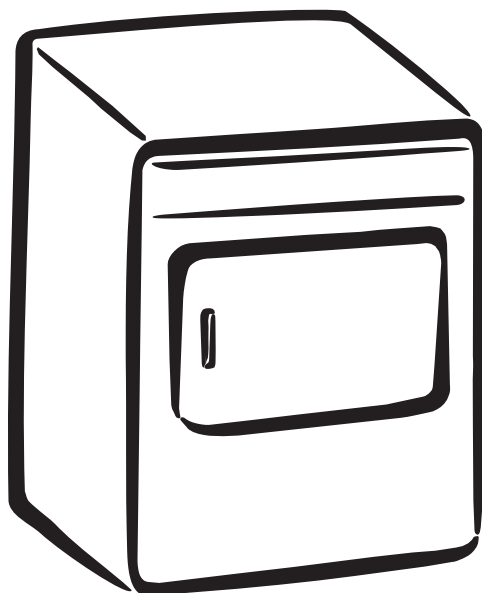
---

# Installation Instructions

Gas & Electric Dryer

# Instructions d'installation

Sécheuse à gaz ou électrique



# CONTENTS

Pre-Installation Requirements.....	2
Electrical Requirements.....	3
Exhaust System Requirements.....	3-4
Gas Supply Requirements.....	4-5
Location of Your Dryer.....	5
Rough-In Dimensions.....	6
Mobile Home Installation.....	7
Unpacking .....	7
Reversing Door Swing.....	8
Electrical Installation.....	9
Grounding Requirements.....	9
Electrical Connections—3-wire.....	9
Electrical Connections—4-wire.....	10
Gas Connection.....	10
General Installation.....	10
Replacement Parts.....	10
Français.....	11-20

## SAFETY INSTRUCTIONS

***Clothes dryer installation and service must be performed by a qualified installer, service agency or the gas supplier. Install the clothes dryer according to the manufacturer's instructions and local codes.***

***Before beginning installation, carefully read these instructions. This will simplify the installation and ensure the dryer is installed correctly and safely. Leave these instructions near the Dryer after installation for future reference.***

**NOTE:** The electrical service to the Dryer must conform with local codes and ordinances and the latest edition of the National Electrical Code, ANSI/NFPA 70, or in Canada, the Canadian electrical code C22.1 part 1.

**NOTE:** The gas service to the Dryer must conform with local codes and ordinances and the latest edition of the National Fuel Gas Code ANSI Z223.1, or in Canada, CAN/ACG B149.1-2000

**NOTE:** The Dryer is designed under ANSI Z 21.5.1 or ANSI/UL 2158 - CAN/CSA C22.2 No. 112 (latest editions) for **HOME USE only**. This Dryer is not recommended for commercial applications such as restaurants or beauty salons, etc.

**⚠ WARNING RISK OF FIRE.** For your safety the information in this manual must be followed to minimize the risk of fire or explosion or to prevent property damage, personal injury or loss of life. **SAVE THESE INSTRUCTIONS.**

- Do not store or use gasoline or other flammable vapors and liquid in the vicinity of this or any other appliance.


**- WHAT TO DO IF YOU SMELL GAS**

- Do not try to light any appliance.
- Do not touch any electrical switch; do not use any phone in your building.
- Clear the room, building or area of all occupants.
- Immediately call your gas supplier from a neighbor's phone. Follow the gas supplier's instructions.
- If you cannot reach your gas supplier, call the fire department.

Installation and service must be performed by a qualified installer, service agency or the gas supplier.

**Your safety and the safety of others is very important.**

We have provided many important safety messages in the Use & Care Guide, Operating Instructions, Installation Instructions and on your appliance. Always read and obey all safety messages.

 This is the safety alert symbol. This symbol alerts you to hazards that can kill or hurt you or others. All safety messages will be preceded by the safety alert symbol and the word "**DANGER**" or "**WARNING**". These words mean:

 **DANGER** You will be killed or seriously injured if you don't follow instructions.

 **WARNING** You can be killed or seriously injured if you don't follow instructions.

All safety messages will identify the hazard, tell you how to reduce the chance of injury, and tell you what can happen if the instructions are not followed.

## PRE-INSTALLATION REQUIREMENTS

### Tools and Materials Required for Installation:

1. Phillips head screwdriver.
2. Channel-lock adjustable pliers.
3. Carpenter's level.
4. Flat or straight blade screwdriver.
5. Duct tape.
6. Rigid or flexible metal 4 inch (10.2 cm) duct.
7. Vent hood.
8. Pipe thread sealer (Gas).
9. Plastic knife.

## ELECTRICAL REQUIREMENTS

### ELECTRIC Dryer

**CIRCUIT** - Individual 30 amp. branch circuit fused with 30 amp. time delay fuses or circuit breakers.

Use separately fused circuits for washers and dryers, and **DO NOT** operate a washer and a dryer on the same circuit.

**POWER SUPPLY** - 3 wire or 4-wire, 240 volt, single phase, 60 Hz, Alternating Current.

**POWER SUPPLY CORD KIT** - The dryer **MUST** employ a 3-conductor power supply cord NEMA 10-30 type SRDT rated at 240 volt AC minimum, 30 amp., with 3 open end spade lug connectors with upturned ends or closed loop connectors and marked for use with clothes dryers.

**WARNING – Risk of Shock.** Appliance grounded to neutral conductor through a link. Grounding through the neutral link is prohibited for (1) New branch circuit installations (2) mobile homes; (3) recreational vehicles; and (4) areas where local codes do not permit grounding through the neutral, (1) disconnect the link from the neutral, (2) use grounding terminal or lead to ground appliance in accordance with local codes and (3) connect neutral terminal or lead to branch circuit neutral in usual manner (if the appliance is to be connected by means of a cord kit, use 4-conductor cord for this purpose). USE COPPER CONDUCTOR ONLY. The dryer **MUST** employ a 4-conductor power supply cord NEMA 14-30 type SRDT or ST (as required) rated at 240 volt AC minimum, 30 amp., with 4 open end spade lug connectors with upturned ends or closed loop connectors and marked for use with clothes dryers. See ELECTRICAL CONNECTIONS FOR A 4-WIRE SYSTEM.

(Canada - 4-wire power supply cord is installed on dryer.)

**OUTLET RECEPTACLE** - NEMA 10-30R receptacle to be located so the power supply cord is accessible when the dryer is in the installed position. (Canada - NEMA 14-30R receptacle.)



NEMA 10-30R

NEMA 14-30R

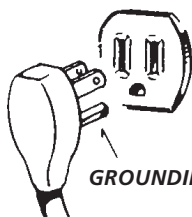
### GAS Dryer

**CIRCUIT** - Individual 15 amp. branch circuit fused with a 15 amp. maximum time delay fuse or circuit breaker.

**POWER SUPPLY** - 3 wire, 120 volt single phase, 60 Hz, Alternating Current.

**POWER SUPPLY CORD** - The dryer is equipped with a 120 volt 3-wire power cord.

**NOTE:** Do not under any circumstances remove grounding prong from plug.



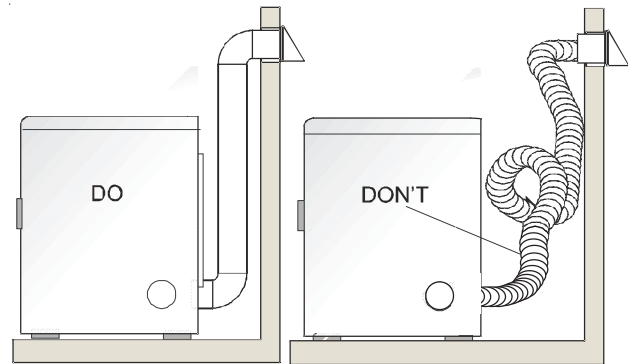
GROUNDING PRONG

## EXHAUST SYSTEM REQUIREMENTS

Use only 4 inch (10.2 cm) diameter (minimum) rigid or flexible **metal** duct and approved vent hood which has a swing-out damper(s) that open when the dryer is in operation. When the dryer stops, the dampers automatically close to prevent drafts and the entrance of insects and rodents. To avoid restricting the outlet, maintain a minimum of 12 inches (30.5 cm) clearance between the vent hood and the ground or any other obstruction.

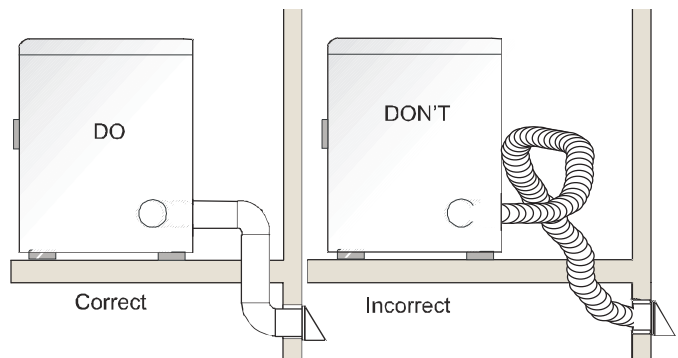
**WARNING** The following are specific requirements for proper and safe operation of your dryer. Failure to follow these instructions can create excessive drying times and fire hazards.

**WARNING** Do not install a clothes dryer with flexible plastic venting materials. If your present system is made up of plastic duct or metal foil duct, **replace it** with a rigid or flexible metal duct. In Canada and the United States if metal (foil type) duct is installed, it must be of a specific type identified by the appliance manufacturer as suitable for use with clothes dryers and in the United States must also comply with the Outline for Clothes Dryer Transition Duct, UL standard 2158A. Flexible venting materials are known to collapse, be easily crushed and trap lint. These conditions will obstruct clothes dryer airflow and increase the **risk of fire**. **Ensure the present duct is free of any lint prior to installing dryer duct.**



Correct

Incorrect



Correct

Incorrect

**CAUTION - Risk of Fire - A clothes dryer must be exhausted outdoors.** Do not exhaust dryer into a chimney, a wall, a ceiling, an attic, a crawl space or any concealed space of a building. A clothes dryer produces combustible lint. If the dryer is not exhausted outdoors, some fine lint will be expelled into the laundry area. An accumulation of lint in any area of the home can create a health and fire hazard. **The dryer must be connected to an exhaust outdoors.** Regularly inspect the outdoor exhaust opening and remove any accumulation of lint around the outdoor exhaust opening and in the surrounding area.

**⚠ WARNING** Do not allow combustible materials (for example: clothing, draperies/curtains, paper) to come in contact with exhaust system. The dryer **MUST NOT** be exhausted into a chimney, a wall, a ceiling, or any concealed space of a building which can accumulate lint, resulting in a fire hazard.

**⚠ WARNING** Exceeding the length of duct pipe or number of elbows allowed in the "MAXIMUM LENGTH" charts can cause an accumulation of lint in the exhaust system. Plugging the system could create a fire hazard, as well as increase drying times.

**⚠ WARNING** Do not screen the exhaust ends of the vent system, nor use any screws, rivets or other fastening means that extend into the duct and catch lint to assemble the exhaust system. Lint can become caught in the screen, on the screws or rivets, clogging the duct work and creating a fire hazard as well as increasing drying times. Use an approved vent hood to terminate the duct outdoors, and seal all joints with duct tape. All male duct pipe fittings **MUST** be installed downstream with the flow of air.

**⚠ WARNING** Explosion hazard. Do not install the dryer where gasoline or other flammables are kept or stored. If the dryer is installed in a garage, it must be a minimum of 18 inches (45.7 cm) above the floor. Failure to do so can result in death, explosion, fire or burns.

1. Connect an inclined or digital manometer between the dryer and the point the exhaust connects to the dryer.
2. Set the dryer timer and temperature to air fluff (cool down) and start the dryer.
3. Read the measurement on the manometer.
4. The system back pressure **MUST NOT** be higher than 0.75 inches of water column. If the system back pressure is less than 0.75 inches of water column, the system is acceptable. If the manometer reading is higher than 0.75 inches of water column, the system is too restrictive and the installation is unacceptable.

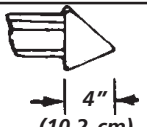
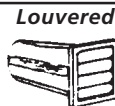
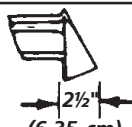
Although vertical orientation of the exhaust system is acceptable, certain extenuating circumstances could affect the performance of the dryer:


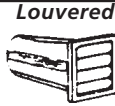
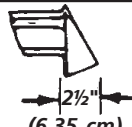
- Only the rigid metal duct work should be used.
- Venting vertical through a roof may expose the exhaust system to down drafts causing an increase in vent restriction.
- Running the exhaust system through an uninsulated area may cause condensation and faster accumulation of lint.
- Compression or crimping of the exhaust system will cause an increase in vent restriction.

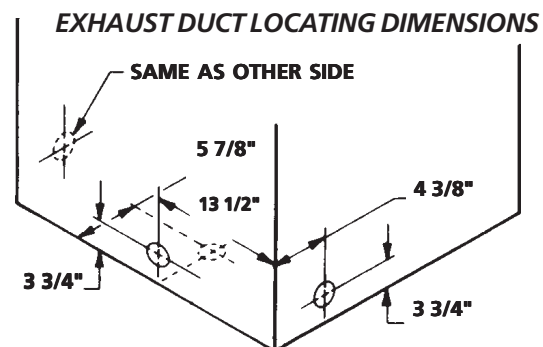
The exhaust system should be inspected and cleaned a minimum of **every 18 months** with normal usage. The more the dryer is used, the more often you should check the exhaust system and vent hood for proper operation.

### EXHAUST DIRECTION

All dryers shipped from the factory are set up for rear exhausting. However, on electric dryers, exhausting can be to the right or left side of the cabinet or the bottom of the dryer. On gas dryers, exhausting can be to the right side of the cabinet or the bottom of the dryer. Directional exhausting can be accomplished by installing Exhaust Kit, P/N 131456800, available through your parts distributor. Follow the instructions supplied with the kit.

Number of 90° Turns	MAXIMUM LENGTH of 4" (10.2 cm) Dia. Rigid Metal Duct		
	VENT HOOD TYPE (Preferred)		
	 4" (10.2 cm)	Louvered 	 2 1/2" (6.35 cm)
0	60 ft. (18.28 m)		48 ft. (14.63 m)
1	52 ft. (15.84 m)		40 ft. (12.19 m)
2	44 ft. (13.41 m)		32 ft. (9.75 m)
3	32 ft. (9.75 m)		24 ft. (7.31 m)
4	28 ft. (8.53 m)		16 ft. (4.87 m)

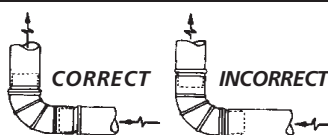
Number of 90° Turns	MAXIMUM LENGTH of 4" (10.2 cm) Dia. Flexible Metal Duct		
	VENT HOOD TYPE (Preferred)		
	 4" (10.2 cm)	Louvered 	 2 1/2" (6.35 cm)
0	30 ft. (9.14 m)		18 ft. (5.49 m)
1	22 ft. (6.71 m)		14 ft. (4.27 m)
2	14 ft. (4.27 m)		10 ft. (3.05 m)
3	NOT RECOMMENDED		



### GAS SUPPLY REQUIREMENTS

**⚠ WARNING** Replace copper connecting pipe that is not plastic-coated. Stainless steel or plastic-coated brass **MUST** be used.

1. Installation **MUST** conform with local codes, or in the absence of local codes, with the National Fuel Gas Code, ANSI Z223.1 (latest edition).
2. The gas supply line should be of 1/2 inch (1.27 cm) pipe.
3. If codes allow, flexible metal tubing may be used to connect your dryer to the gas supply line. The tubing **MUST** be constructed of stainless steel or plastic-coated brass.
4. The gas supply line **MUST** have an individual shutoff valve.



INSTALL MALE FITTINGS IN CORRECT DIRECTION

In installations where the exhaust system is not described in the charts, the following method must be used to determine if the exhaust system is acceptable:

5. A 1/8 inch (0.32 cm) N.P.T. plugged tapping, accessible for test gauge connection, **MUST** be installed immediately upstream of the gas supply connection to the dryer.
6. The dryer **MUST** be disconnected from the gas supply piping system during any pressure testing of the gas supply piping system at test pressures in excess of 1/2 psig (3.45 kPa).
7. The dryer **MUST** be isolated from the gas supply piping system during any pressure testing of the gas supply piping system at test pressures equal to or less than 1/2 psig (3.45 kPa).

## LOCATION OF YOUR DRYER

### DO NOT INSTALL YOUR DRYER:

1. In an area exposed to dripping water or outside weather conditions.
2. In an area where it will come in contact with curtains, drapes, or anything that will obstruct the flow of combustion and ventilation air.
3. On carpet. Floor **MUST** be solid with a maximum slope of 1 inch (2.54 cm).

### INSTALLATION IN RECESS OR CLOSET

1. A dryer installed in a bedroom, bathroom, recess or closet, **MUST** be exhausted outdoors.
2. No other fuel burning appliance shall be installed in the same closet as the Gas dryer.
3. Your dryer needs the space around it for proper ventilation.

### DO NOT install your dryer in a closet with a solid door.

4. A minimum of 120 square inches (774.2 square cm) of opening, equally divided at the top and bottom of the door, is required. Air openings are required to be unobstructed when a door is installed. A louvered door with equivalent air openings for the full length of the door is acceptable.

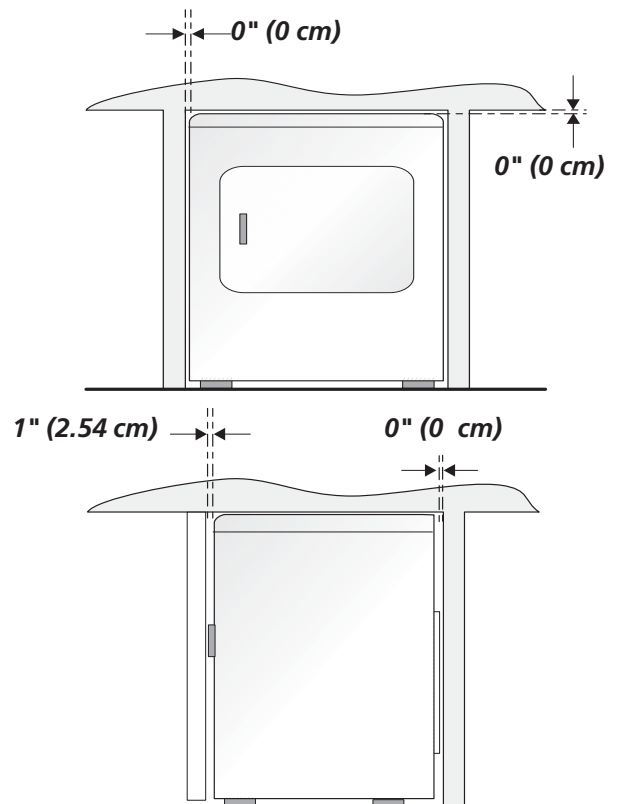
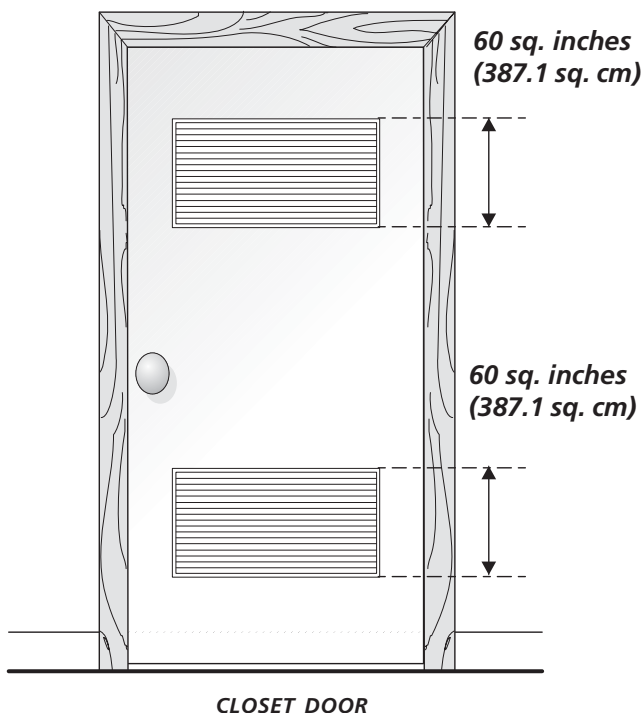
### MINIMUM INSTALLATION CLEARANCES - Inches (cm)

	SIDES	REAR	TOP FRONT
Alcove	0 (0 cm)	0 (0 cm)	
Closet	0 (0 cm)	0 (0 cm)	1 (2.54 cm)

Closet door ventilation required: 2 louvered openings each 60 square inches (387 square centimeters) — 3 inches (7.6 cm) from bottom and top of door.

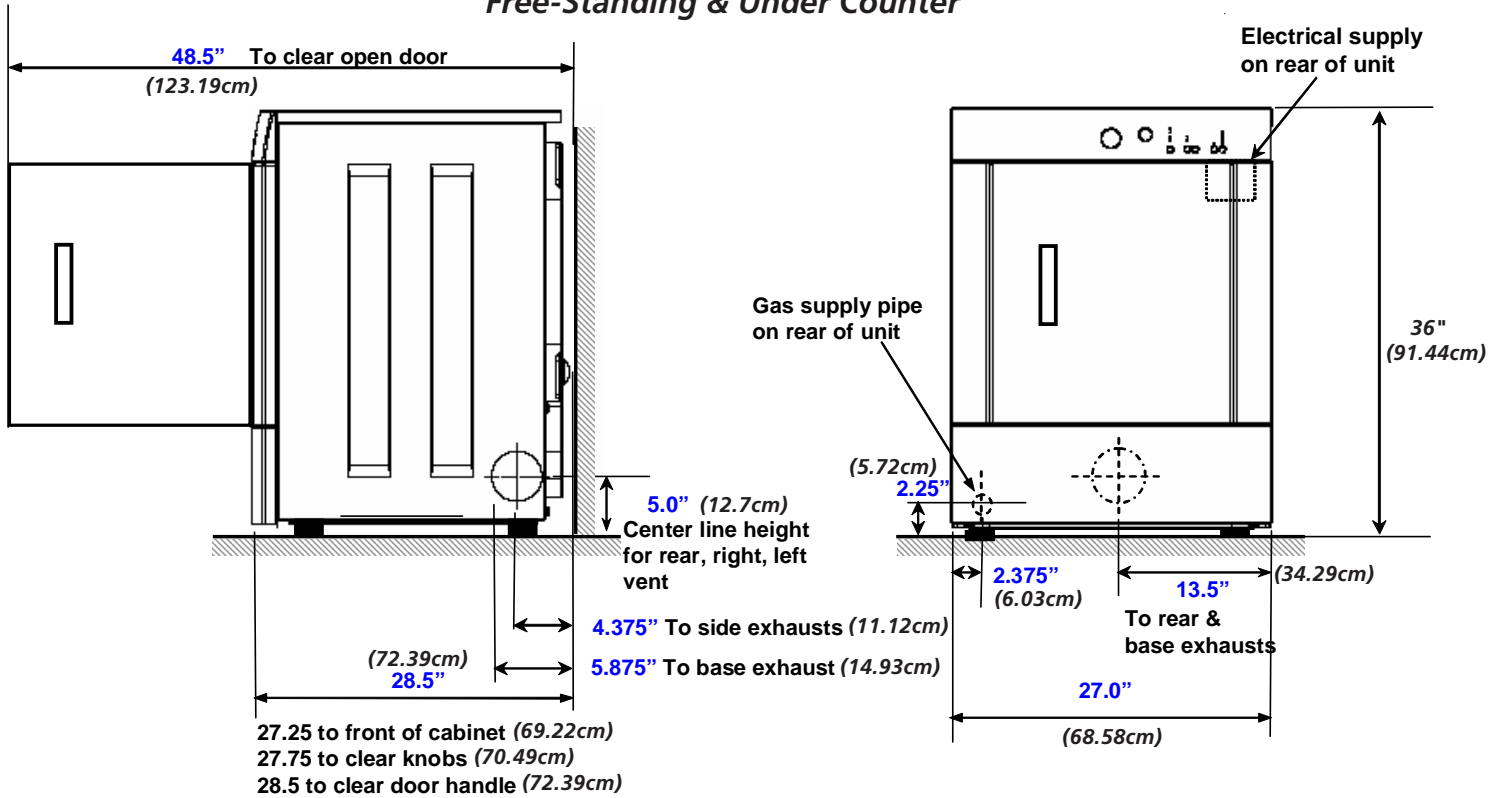
### This dryer **MUST** be exhausted outdoors.

5. The following illustrations show minimum clearance dimensions for proper operation in a recess or closet installation.

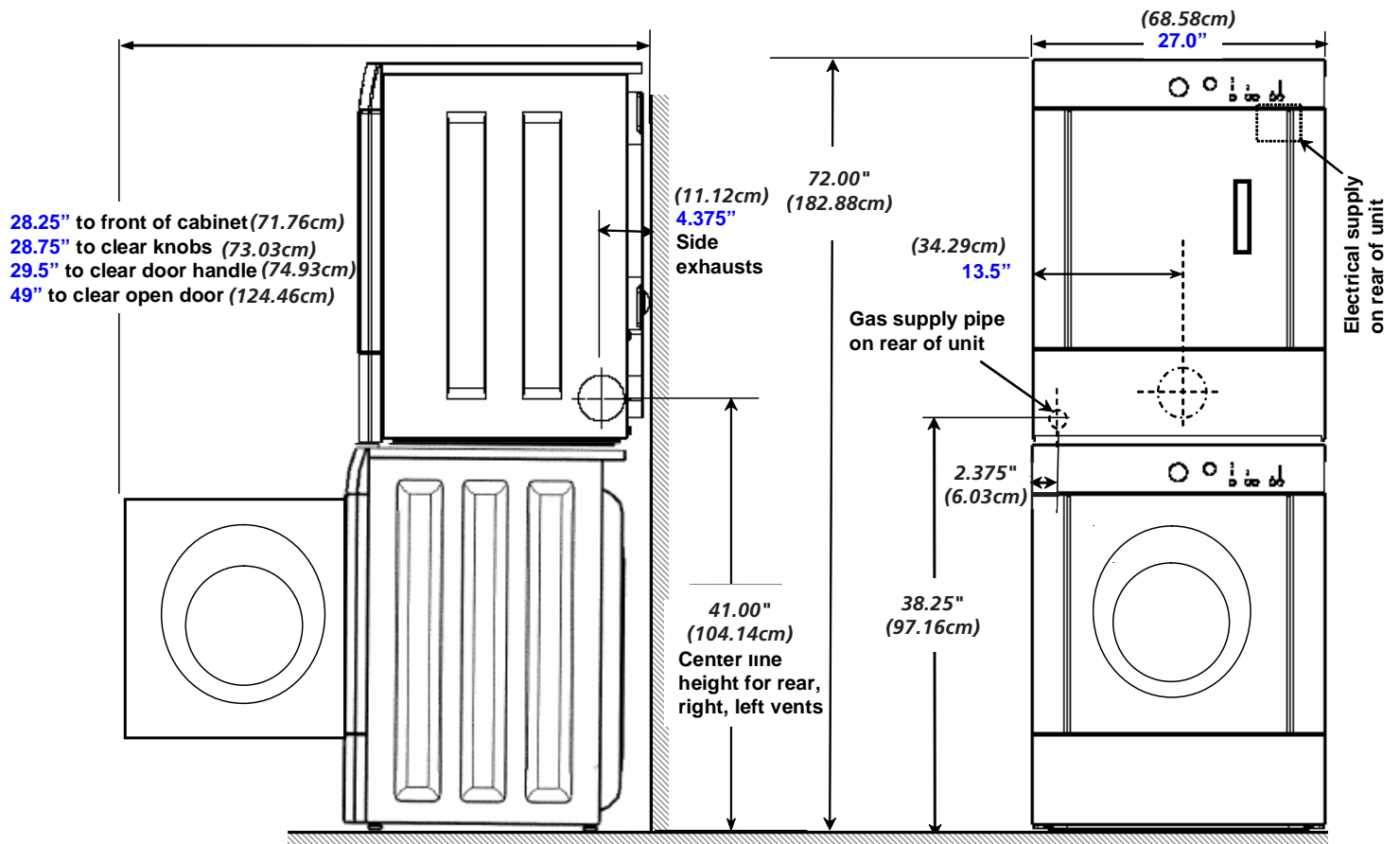


# Dryer Installation Dimensions

## Free-Standing & Under Counter



# Stacked Dryer Installation Dimensions

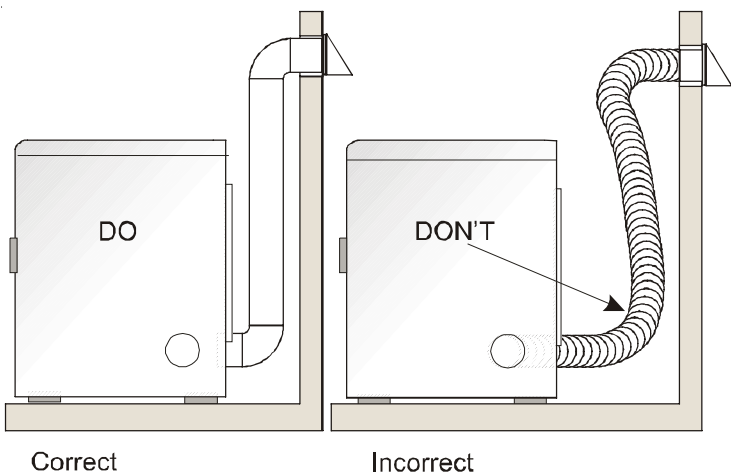




## MOBILE HOME INSTALLATION

1. Dryer **MUST** be exhausted outside (outdoors, not beneath the mobile home) using metal ducting that will not support combustion. Metal ducting must be 4 inches (10.16 cm) in diameter with no obstructions. Rigid metal duct is preferred.
2. If dryer is exhausted through the floor and area beneath the mobile home is enclosed, the exhaust system **MUST** terminate outside the enclosure with the termination securely fastened to the mobile home structure.
3. When installing a gas dryer into a mobile home, a provision must be made for outside make up air. This provision is to be not less than twice the area of the dryer exhaust outlet.
4. This dryer **MUST** be fastened to the floor. Mobile Home Installation Kit No. 346764 is available from your dealer.
5. Refer to pages 2 and 3 for other important venting requirements.
6. Installation **MUST** conform to current Manufactured Home Construction & Safety Standard (which is a Federal Regulation Title 24 CFR-Part 32-80) or when such standard is not applicable, with American National Standard for Mobile Homes.

**⚠ WARNING** The dryer is designed under ANSI Z 21.5.1 or ANSI/UL2158 - CAN/CSA C22.2 (latest editions) for **HOME USE** only.



Correct

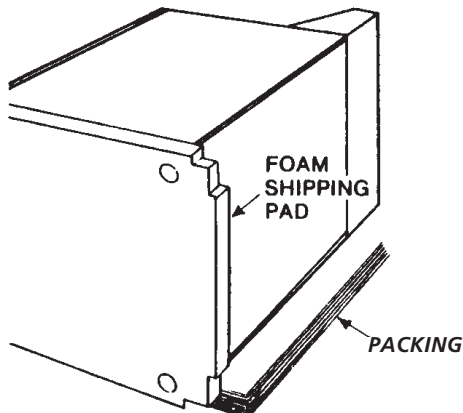
Incorrect

## UNPACKING

1. Using the four shipping carton corner posts (two on each side), carefully lay the dryer on its left side and remove the foam shipping base.

**⚠ CAUTION** To prevent damage, do not use the control panel as a means to pick up or move the dryer.

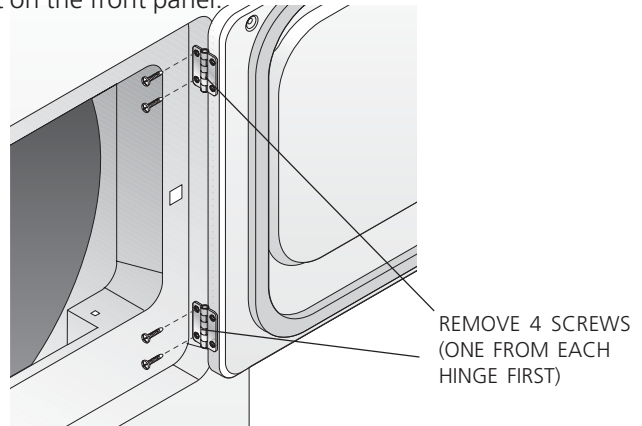
2. Return the dryer to an upright position.



## REVERSING DOOR SWING

### Solid Door Reversing Instructions:

1. Open door and remove four (4) plugs in the door opening opposite the hinges. Retain all parts for uses later, unless otherwise noted. Note: Use care in removing plugs in not scratching paint on the front panel.



2. Begin removing the four (4) screws that attach the hinge to the front panel. For best results, start by only removing one screw per hinge. Then only loosen the two remaining screws while firmly holding door to prevent damage to hinge, front panel or door. After the remaining screws are loosened, continue to remove all.

3. Place door handle side down on a towel or pad to prevent any possible scratches to door. Remove all remaining four (4) screws between hinge and door.

4. Remove four (4) screws on opposite side of door.

5. Separate inner door from outer door by placing a flat screw driver or putty knife. Rotate the inner door 180 degree and reassemble the two door halves.

6. Install four (4) screws securing door halves where hinge was previously attached.

7. Install four (4) screws securing hinge to door assembly.
8. Remove striker and discard.

9. Remove square plug and reinstall in hole striker was just removed.

10. Install striker (included in literature bag) into hole square plug was previously installed.

11. Grasping firmly the top of the door, position the door near the door opening and align the top hinge hole to the top hole in the front panel door opening. Once the first screw is started, attach the second screw to the lower hinge. Once both screws are tightened, install the remaining two screws.

12. Install four (4) plugs into the front panel door opening where hinges were originally installed.

# ELECTRICAL INSTALLATION

## *ELECTRIC Dryer*

**⚠ WARNING** *The following are specific requirements for proper and safe electrical installation of your dryer. Failure to follow these instructions can create electrical shock and/or a fire hazard.*

**⚠ WARNING** *This appliance **MUST** be properly grounded. Electrical shock can result if the dryer is not properly grounded. Follow the instructions in this manual for proper grounding.*

**⚠ WARNING** *Do not use an extension cord with this dryer. Some extension cords are not designed to withstand the amounts of electrical current this dryer utilizes and can melt, creating electrical shock and/or fire hazard. Locate the dryer within reach of the receptacle for the length power cord to be purchased, allowing some slack in the cord. Refer to the pre-installation requirements in this manual for the proper power cord to be purchased.*

**⚠ WARNING** *A U.L. approved strain relief must be installed onto power cord. If the strain relief is not attached, the cord can be pulled out of the dryer and can be cut by any movement of the cord, resulting in electrical shock.*

**⚠ WARNING** *Do not use an aluminum wired receptacle with a copper wired power cord and plug (or vice versa). A chemical reaction occurs between copper and aluminum and can cause electrical shorts. **The proper wiring and receptacle is a copper wired power cord with a copper wired receptacle.***

**NOTE:** Dryers operating on 208 volt power supply will have longer drying times than operating on 240 volt power supply.

## GROUNDING REQUIREMENTS

### *USA ELECTRIC Dryer*

**⚠ WARNING** Improper connection of the equipment grounding conductor can result in a risk of electrical shock. Check with a licensed electrician if you are in doubt as to whether the appliance is properly grounded.

**For a grounded, cord-connected dryer:**

1. The dryer **MUST** be grounded. In the event of a malfunction or breakdown, grounding will reduce the risk of electrical shock by a path of least resistance for electrical current.
2. If your dryer is equipped with a power supply cord having an equipment-grounding conductor and a grounding plug, the plug **MUST** be plugged into an appropriate, copper wired receptacle that is properly installed and grounded in accordance with all local codes and ordinances. If in doubt, call a licensed electrician. **Do not modify plug provided with the appliance.**

**For a permanently connected dryer:**

1. The dryer **MUST** be connected to a grounded metal, permanent wiring system; or an equipment grounding conductor must be run with the circuit conductors and connected to the equipment-grounding terminal or lead on the appliance.

### *Canadian ELECTRIC Dryer*

**⚠ DANGER** Improper connection of the equipment grounding conductor can result in a risk of electrical shock. Check with a licensed electrician if you are in doubt as to whether the appliance is properly grounded.

**For a grounded, cord-connected dryer:**

1. The dryer must be grounded. In the event of a malfunction or breakdown, grounding will reduce the risk of electrical shock by a path of least resistance for electrical current.
2. Since your dryer is equipped with a power supply cord having an equipment-grounding conductor and a grounding plug, the plug must be plugged into an appropriate outlet that is properly installed and grounded in accordance with all local codes and ordinances. If in doubt, call a licensed electrician. **Do not modify plug provided with the appliance.**

### *ALL GAS Dryers*

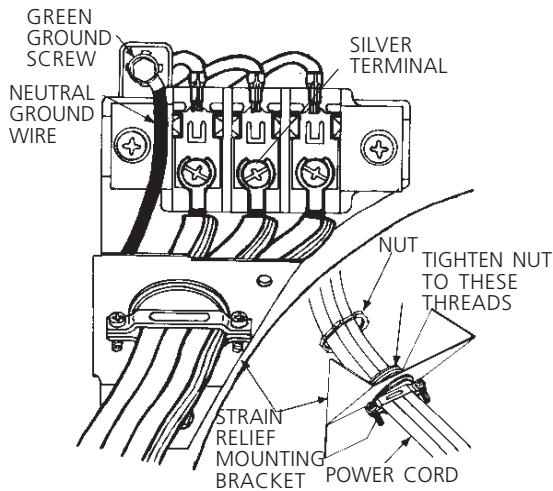
1. The dryer is equipped with a three-prong (grounding) plug for your protection against shock hazard and should be plugged directly into a properly grounded three-prong receptacle. Do not cut or remove the grounding prong from the plug.



**ELECTRICAL CONNECTIONS  
FOR 3-WIRE SYSTEM**

**USA ELECTRIC Dryer**

1. Remove the screws securing the terminal block access cover and the strain relief mounting bracket located on the back of the dryer upper corner.
2. Install a U.L. approved strain relief into the power cord entry hole of the mounting bracket. Finger tighten the nut only at this time.



3. Thread a U.L. approved 30 amp. power cord, NEMA 10-30 type SRDT, through the strain relief.
4. Attach the power cord neutral (center wire) conductor to the silver colored center terminal on the terminal block. Tighten the screw securely.
5. Attach the remaining two power cord outer conductors to the outer brass colored terminals on the terminal block. Tighten both screws securely.

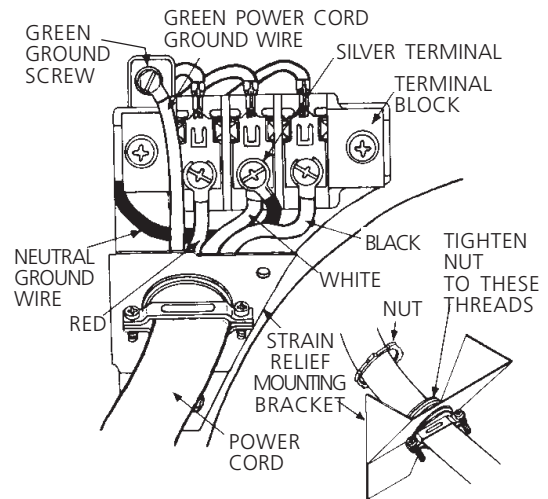
**⚠ WARNING** Do not make a sharp bend or crimp wiring/conductor at connections.

6. Reattach the strain relief mounting bracket to the back of the dryer with two screws. Tighten screws securely.
7. Tighten the screws securing the cord restraint firmly against the power cord.
8. Tighten the strain relief nut securely so that the strain relief does not turn.
9. Reinstall the terminal block cover.

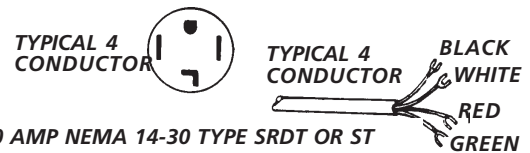
**ELECTRICAL CONNECTIONS FOR 4-WIRE SYSTEM**

**USA ELECTRIC Dryer**

1. Remove the screws securing the terminal block access cover and the strain relief mounting bracket located on the back of the dryer upper corner.
2. Install a U.L. approved strain relief in the entry hole of the mounting bracket. Finger tighten the nut only at this time.
3. Remove the ground wire from the green ground screw located above the terminal block.



4. Thread a U.L. approved 30 amp power cord, NEMA 14-30 type ST or SRDT through the strain relief.



**30 AMP NEMA 14-30 TYPE SRDT OR ST**

5. Attach the green power cord ground wire to the cabinet with the green ground screw.
6. Attach the white (neutral) power cord conductor from the power cord and the neutral ground wire from the dryer harness to the silver-colored center terminal on the terminal block. Tighten the screw securely.
7. Attach the red and black power cord conductors to the outer brass-colored terminals on the terminal block.

**⚠ WARNING** Do not make a sharp bend or crimp wiring/conductor at the connections.

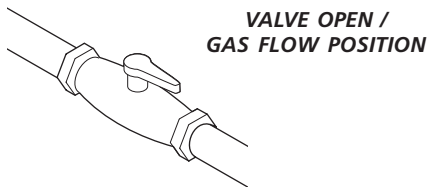
8. Tighten the screws securing the cord restraint firmly against the power cord.
9. Tighten the strain relief nut securely so the strain relief does not turn.
10. Reinstall the terminal block access cover.

## GAS CONNECTION

1. Remove the shipping cap from gas pipe at the rear of the dryer.

**NOTE: DO NOT** connect the dryer to L.P. gas service without converting the gas valve. An L.P. conversion kit must be installed by a qualified gas technician.

2. Connect a 1/2 inch (1.27 cm) I.D. semi-rigid or approved pipe from gas supply line to the 3/8 inch (0.96 cm) pipe located on the back of the dryer (see pages 6 and 7). Use a 1/2 inch to 3/8 inch (1.27 cm to 0.96 cm) reducer for a connection. Apply an approved thread sealer that is resistant to the corrosive action of liquefied gases on all pipe connections.
3. Open the shutoff valve in the gas supply line to allow gas to flow through pipe.
4. Test all connections by brushing on a soapy water solution.



**NEVER test for gas leaks with an open flame.**

## GENERAL INSTALLATION

1. Connect the exhaust duct to outside exhaust system (see pages 3 and 4). Use duct tape to seal all joints.
2. With the dryer in its final position, adjust one or more of the legs until the dryer is resting solid on all four legs. Place a level on top of the dryer. **The dryer MUST be level and resting solid on all four legs.**
3. Plug the power cord into a grounded outlet. NOTE: Check to ensure the power is off at circuit breaker/fuse box before plugging the power cord into the outlet.
4. Turn on the power at the circuit breaker/fuse box.

**CAUTION** Before operating the dryer, make sure the dryer area is clear and free from combustible materials, gasoline, and other flammable vapors. Also see that nothing (such as boxes, clothing, etc.) obstructs the flow of combustion and ventilation air.

5. Run the dryer through a cycle check for proper operation.

**NOTE:** On gas dryers, before the burner will light, it is necessary for the gas line to be bled of air. If the burner does not light within 45 seconds the first time the dryer is turned on, the safety switch will shut the burner off. If this happens, turn the timer to "OFF" and wait 5 minutes before making another attempt to light.

6. If your dryer does not operate, please review the "Avoid Service Checklist" located in your Use and Care Guide before calling for service.

7. Place these instructions in a location near the dryer for future reference.
8. To stack your dryer on a compatible washer call your local dealer or call the Toll Free number **(1-800-463-0119 Montreal, 1-888-871-4043 Quebec City)** to find your local distributor to purchase stacking kit accessory part number **STACKIT2**.

**NOTE:** A wiring diagram is located inside the dryer console or under the top panel.

## REPLACEMENT PARTS

### Pedestal

A pedestal accessory, **Model No. NLPWD15 (White), NLPWD15GB (Glacier Blue), NLPWD15P (Platinum) and NLPWD15E (Black)**, specifically designed for this dryer may be used when elevating the dryer for ease of use. Failure to use accessories certified by the manufacturer could result in personal injury, property damage or damage to the dryer.

If replacements parts are needed for your washer, contact the source where you purchased your washer. or call 1-800-463-0119 for the Frigidaire Service Depot in the Montreal area & suburbs, or 1-888-871-4043 in the Quebec City area & suburbs.

**CAUTION** Label all wires prior to disconnection when servicing controls. Wiring errors can cause improper and dangerous operation. Verify proper operation after servicing.

**WARNING** Destroy the carton and plastic bags after the dryer is unpacked. Children might use them for play. Cartons covered with rugs, bedspreads, or plastic sheets can become airtight chambers causing suffocation. Place all materials in a garbage container or make materials inaccessible to children.

**WARNING** The instructions in this manual and all other literature included with this dryer are not meant to cover every possible condition and situation that may occur. Good safe practice and caution **MUST** be applied when installing, operating and maintaining any appliance.

## Table des matières

Avant l'installation.....	11
Installation électrique.....	12
Évacuation de l'air.....	12-13
Alimentation en gaz.....	14
Emplacement de la sècheuse.....	14
Dimensions de l'emplacement.....	15
Installation dans une maison mobile.....	16
Déballage.....	16
Porte Réversible.....	16
Installation électrique.....	17
Mise à la terre.....	17
Branchement électrique - Installation à 3 fils.....	18
Branchement électrique - Installation à 4 fils.....	18
Installation.....	19
Pièces de rechange.....	19

### Mesures de Sécurité Importantes

**L'installation et le service de la Sècheuse de vêtements doivent être effectués par un installateur qualifié, l'agence de service ou le fournisseur de gaz. Installez la Sècheuse de vêtement selon les instructions du fabricant et les codes locaux. Avant de commencer, lire attentivement le présent document. Cela simplifiera l'installation et assurera la pose correcte et sécuritaire de la sècheuse. Après l'installation, laisser ce document à proximité de la sècheuse pour référence future.**


**REMARQUE** : L'alimentation électrique de la sècheuse doit respecter les codes et ordonnances locaux ainsi que l'édition la plus récente du Code ANSI/NFPA 70, ou au Canada, le Code canadien d'électricité, ACNOR C22.1, partie 1.

**REMARQUE** : L'alimentation en gaz de la sècheuse doit respecter les codes et ordonnances locaux ainsi que l'édition la plus récente du Code ANSI Z223.1, ou au Canada, le code CAN/ACG B149.1-2000.

**REMARQUE** : La sècheuse est conçue conformément au code ANSI Z 21.5.1 ou ANSI/UL 2158 - CAN/ACG C22.2 No. 112 (l'édition la plus récente) pour un USAGE DOMESTIQUE seulement. Cette sècheuse n'est pas recommandée pour utilisation commerciale, comme par exemple un restaurant ou un salon de coiffure, etc.

### Votre sécurité et celle des autres est très importante.


Nous donnons de nombreux messages de sécurité importants dans ce manuel et sur votre appareil ménager. Assurez-vous de toujours lire tous les messages de sécurité et de vous y conformer.

 Voici le symbole de mise en garde. Ce symbole met en garde contre les risques pouvant entraîner le décès ou des blessures à soi ou aux autres. Tous les messages relatifs à la sécurité sont précédés du symbole de mise en garde et du terme « DANGER » ou « AVERTISSEMENT ». Ces termes signifient :

 **DANGER** L'utilisateur sera tué gravement blessé s'il ne suit pas ces directives.

 **AVERTISSEMENT** L'utilisateur peut être tué ou gravement blessé s'il ne suit pas ces directives.

**Tous les messages relatifs à la sécurité indiquent le risque, comment réduire le risque de blessure et ce qui peut survenir si on ne suit pas les directives.**

 **AVERTISSEMENT RISQUE D'INCENDIE.** Pour votre sécurité, suivre les directives énoncées dans le présent guide afin de minimiser les risques d'incendie, d'explosion, de dommages matériels, de blessures et de mort. **GARDEZ CES INSTRUCTIONS.**

- Ne pas entreposer ni utiliser d'essence ou autres liquides ou produits inflammables à proximité de cette sècheuse ou de tout autre appareil ménager.
- **QUE FAIRE S'IL Y A UNE ODEUR DE GAZ**
  - Ne mettre en marche aucun appareil .
  - Ne toucher aucun interrupteur électrique; n'utiliser aucun téléphone dans l'immeuble.
  - Faire sortir tous les occupants de la pièce, de l'immeuble ou de la zone avoisinante.
  - Appeler la fournisseur de gaz immédiatement en utilisant le téléphone d'un voisin. Suivre les directives du fournisseur de gaz.
  - S'il est impossible de joindre le fournisseur de gaz, appeler le service de protection des incendies.

L'installation et les réparations doivent être effectuées par un service de réparation, un technicien qualifié ou le fournisseur de gaz.

## AVANT L'INSTALLATION

### Outils et matériel requis pour l'installation :

1. Tournevis à pointe cruciforme
2. Pince multiprise
3. Niveau de menuisier
4. Tournevis à pointe plate ou à lame droite
5. Ruban adhésif pour conduits
6. Conduite en métal rigide ou souple de 10,2 cm (4 po)
7. Bouche d'évacuation d'air
8. Ruban ou pâte d'étanchéité por joints filetés (modèle à gaz)
9. Couteau à mastic en plastique

## INSTALLATION ÉLECTRIQUE

### Sécheuses ÉLECTRIQUES

**CIRCUIT** - Dérivation distincte de 30 A avec fusibles à retardement ou disjoncteurs d'au 30 A.

Utilisez des circuits avec un disjoncteur ou fusible séparé pour les machines à laver et sécheuses, et NE PAS faire fonctionner une machine à laver et une sécheuse sur un même circuit.

**ALIMENTATION ÉLECTRIQUE** - 3 fils, 240 volts, une phase, 60 Hz, courant alternatif. (Canada - 240 volts, une phase, 60 Hz, courant alternatif.)

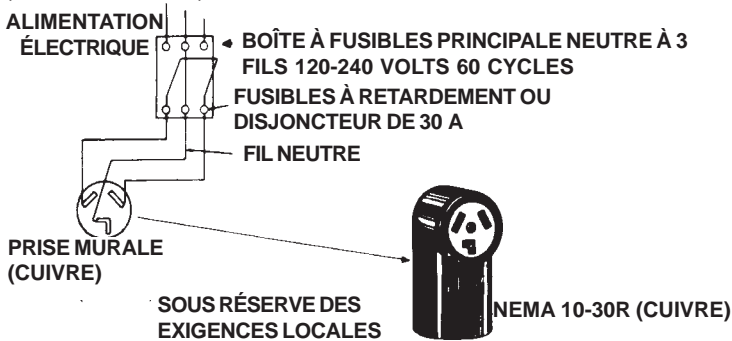
**CORDON D'ALIMENTATION ÉLECTRIQUE** - La sécheuse **DOIT** être reliée à un cordon d'alimentation électrique à 3 conducteurs NEMA 10-30 de type SRDT d'une capacité minimale de 240 volts, courant alternatif, 30 A, avec fiche en L à 3 broches pleines ou repliées conçue pour le branchement d'une sécheuse.

**AVERTISSEMENT - Risque de choc électrique.** Un appareil mis à la terre à l'aide d'un lien ou câble conducteur neutre. La mise à la terre à l'aide d'un conducteur ou câble neutre est interdite dans les cas suivants : (1) les installations de nouveau circuit déviré (2) les maisons mobiles (3) les véhicules récréatifs ou caravanes et (4) les régions où les codes locaux interdisent la mise à la terre à l'aide d'un câble ou conducteur neutre. (1) Débranchez le conducteur ou câble du neutre, (2) utilisez la borne de mise à la terre ou le câble de mise à la terre de l'appareil conformément aux codes locaux et (3) connectez ou branchez la borne neutre ou le câble au neutre du circuit déviré de la manière habituelle (si l'appareil doit être connecté à l'aide d'un cordon, utilisez un cordon à 4 câbles ou fils pour ce faire). **N'UTILISEZ QUE DES CÂBLES OU FILS EN CUIVRE.**

Elle **DOIT** être reliée à un cordon d'alimentation électrique à 4 conducteurs NEMA 14-30 de type SRDT ou ST (au besoin) d'une capacité minimale de 240 volts, courant alternatif, 30 A, avec fiche en L à 4 broches pleines ou repliées conçue pour le branchement d'une sécheuse. Se reporter à la section BRANCHEMENT ÉLECTRIQUE D'UNE INSTALLATION À 4 FILS.

(Canada - Cordon d'alimentation à 4 fils branché à la sécheuse.

**PRISE** - Prise NEMA 10-30R située de façon à ce que le cordon d'alimentation électrique soit accessible une fois la sécheuse en place. (Canada - prise NEMA de 14-30R.)



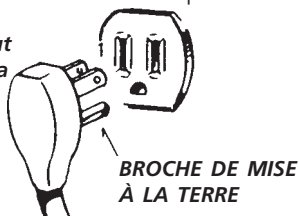
### Sécheuses à GAZ

**CIRCUIT** - Dérivation distincte de 15 A avec fusible à retardement ou disjoncteur d'au plus 15 A.

**ALIMENTATION ÉLECTRIQUE** - 3 fils, 120 volts, une phase, 60 Hz, courant alternatif.

**CORDON D'ALIMENTATION ÉLECTRIQUE** - La sécheuse est pourvue d'un cordon d'alimentation électrique à 3 fils de 120 volts.

**REMARQUE :** Il ne faut en aucun cas retirer la broche de mise à la terre de la fiche.



## ÉVACUATION DE L'AIR

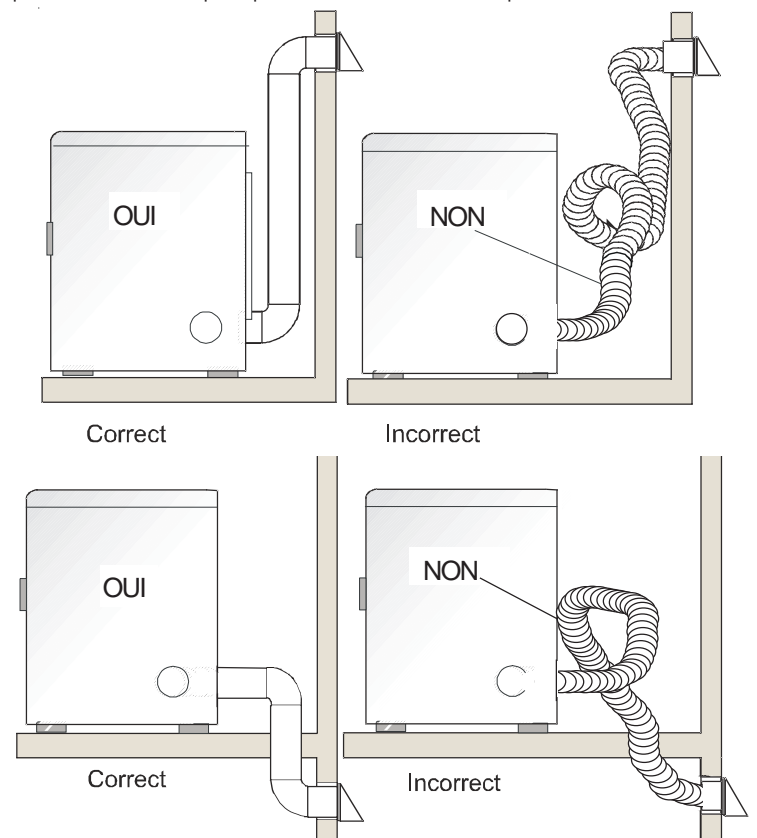
Utiliser uniquement une conduite en métal rigide ou flexible de 10,2 cm (4 po) de diamètre (minimum) ainsi qu'une grille de sortie approuvée pourvue de clapets qui s'ouvrent lorsque la sécheuse fonctionne. Quand la sécheuse s'arrête, les clapets se ferment automatiquement pour éviter les courants d'air et l'entrée d'insectes ou de rongeurs. Afin de ne pas obstruer l'évacuation de l'air, laisser une distance minimum de 30,5 cm (12 po) entre la grille de sortie et le sol ou tout autre obstacle.

**AVERTISSEMENT** Les mises en garde qui suivent se rapportent directement au fonctionnement correct et sécuritaire de la sécheuse. Toute dérogation à ces mises en garde pourrait ralentir le séchage et entraîner des risques d'incendie.

**AVERTISSEMENT** N'installez pas la Sécheuse avec des matériels de ventilation en matières plastiques flexibles.

Si la conduite existante est en plastique ou en papier métallique, la remplacer par une conduite en métal rigide ou flexible. Au Canada et aux États-Unis si le conduit est de métal (type feuille d'aluminium), celui-ci doit être d'un type spécifique identifié par le fabricant, recommandé pour l'utilisation avec des Sécheuses ; et aux États-Unis il doit en outre remplir la norme UL 215A. Les matériaux de ventilation flexibles peuvent s'abîmer facilement et recueillir du duvet. Ces conditions obstrueront la circulation d'air de la Sécheuse de vêtements et augmenteront le **risque d'incendie**. **S'assurer qu'il n'y a pas de charpie dans la conduite existante avant d'installer la conduite de la sécheuse.**

**AVERTISSEMENT - Risque d'incendie - une Sécheuse de vêtement doit être aérée à l'air libre.** N'aérez pas la Sécheuse dans une cheminée, une paroi, un plafond, un espace fermé ou aucun espace caché du bâtiment. Une sécheuse à linge produit de la charpie combustible. Si l'air n'était pas repoussé à l'extérieur de la maison, de petites particules de charpie se retrouveraient dans la pièce où est installée la sécheuse. Toute accumulation de charpie dans la maison peut présenter des risques pour la santé et des risques d'incendie.





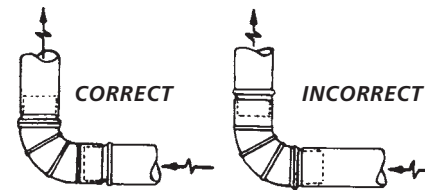
**La sècheuse doit être connectée à une bouche d'évacuation vers l'extérieur du bâtiment ou de l'immeuble.** Vous devez inspecter régulièrement l'évent extérieur et enlever toute accumulation de charpie autour de l'évent et dans la cavité du conduit d'évacuation.

**⚠** Ne laisser aucun matériau inflammable (comme des vêtements, des tentures, des rideaux ou du papier) entrer en contact avec les conduits d'évacuation.

**⚠** Augmenter la longueur du conduit rigide ou le nombre de coudes permis au tableau «**LONGUEUR MAXIMUM**» risque de réduire la capacité d'évacuation du circuit. Obturer le circuit peut créer un risque d'incendie et augmenter le temps de séchage.

**⚠** N'obstruez pas les extrémités du tube de ventilation, ni utilisez des vis, rivets ou autres moyens de fixation qui peuvent obstruer le conduit et recueillir du duvet. L'engorgement subséquent risquerait de ralentir le temps de séchage, voire de causer un incendie. Installer une bouche d'évacuation approuvée à l'extérieur et sceller tous les joints à l'aide d'un ruban adhésif à conduits. Tous les raccords de conduit mâles **DOIVENT** être installés dans le sens de la circulation d'air.

**⚠ AVERTISSEMENT Risques d'explosion.** Ne pas installer la sècheuse à un endroit où l'on garde de la gazoline ou tout autre produit inflammable. Si la sècheuse est installée dans un garage, elle doit être à un minimum de 45,7 cm (18 po) au-dessus du plancher. Toute dérogation pourrait provoquer la mort, l'explosion, l'incendie ou les brûlures.



**POSER LES RACCORDS MÂLES DANS LA BONNE DIRECTION**

Pour les installations dont le circuit d'évacuation n'est pas décrit dans les tableaux, il faut utiliser la méthode suivante si le circuit d'évacuation n'est pas acceptable:

1. Brancher un manomètre digital ou à tube incliné entre la sècheuse et le raccord d'évacuation de la sècheuse.
2. Régler la minuterie de la sècheuse et la température à air froid (refroidissement) et démarrez la sècheuse.
3. Lire la mesure indiquée au manomètre.
4. La basse pression ne doit pas être supérieure à 0,75 pouce de colonne d'eau. Si la basse pression est inférieure à 0,75 pouce de colonne d'eau, le circuit est acceptable. Si la lecture indique une pression supérieure à 0,75 pouce de colonne d'eau, la capacité du circuit est insuffisante et l'installation inacceptable.

Bien qu'un circuit vertical soit acceptable, certaines circonstances atténuantes peuvent influencer la performance de la sècheuse.

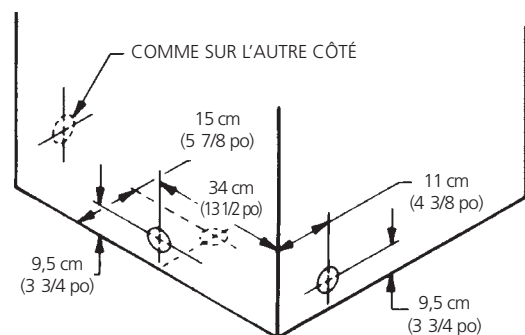
- Il faut utiliser uniquement des conduits rigides en métal.
- Une sortie sur un toit d'un circuit vertical peut exposer celui-ci à un contre-tirage et ainsi réduire sa capacité d'évacuation.
- L'isolant que doit traverser un tel circuit peut causer de la condensation et ainsi réduire la capacité d'évacuation du circuit.
- Un circuit d'évacuation comprimé ou ondulant peut voir sa capacité d'évacuation réduite.

Il faut inspecter le circuit d'évacuation et le nettoyer au moins à **tous les 18 mois** d'utilisation normale. Plus la sècheuse est utilisée, plus il faut procéder souvent à une vérification du bon fonctionnement du circuit d'évacuation et du couvercle du registre ou de l'évent.

**DIRECTION DE L'ÉVACUATION D'AIR**

Toutes les sècheuses emballées par l'usine sont conçues de façon à ce que l'évacuation d'air se fasse à l'arrière. Toutefois, dans le cas des sècheuses électriques, l'évacuation d'air peut se faire sur la droite ou sur la gauche du boîtier ou encore, sous la sècheuse. Dans le cas des sècheuses à gaz, l'évacuation d'air peut se faire sur la droite du boîtier ou sous la sècheuse. On peut donc modifier l'orientation de l'évacuation d'air en installant un ensemble d'évacuation d'air n° de pièce 131456800 disponible chez d'un fournisseur de pièces agréé. Suivre les directives qui accompagnent cet ensemble.

**EMPLACEMENT DES BOUCHES D'ÉVACUATION**



<b>LONGUEUR MAXIMUM d'une conduite en métal rigide de 10,16 cm (4 po) de diam.</b>			
<b>TYPE DE GRILLE DE SORTIE (Recommandé)</b>			
Nombre de coudes à 90°	à volet		à volet à l'arrière
	à volet	à volet	
0	18,28 m (60 po)	14,63 m (48 po)	
1	15,44 m (52 po)		12,19 m (40 po)
2	13,41 m (44 po)		9,75 m (32 po)
3	9,75 m (32 po)		7,31 m (24 po)
4	8,53 m (28 po)		4,87 m (16 po)

<b>LONGUEUR MAXIMUM d'une conduite en métal flexible de 10,16 cm (4 po) de diam.</b>			
<b>TYPE DE GRILLE DE SORTIE (Recommandé)</b>			
Nombre de coudes à 90°	à volet		à volet à l'arrière
	à volet	à volet	
0	9,14 m (30 po)		5,49 m (18 po)
1	6,71 m (22 po)		4,27 m (14 po)
2	4,27 m (14 po)		3,05 m (10 po)
3	NON RECOMMANDÉ		

## ALIMENTATION EN GAZ

**⚠ AVERTISSEMENT** Remplacer le tuyau de raccordement en cuivre non recouvert de plastique. Il FAUT utiliser du laiton inoxydable ou recouvert de plastique.

1. L'installation **DOIT** respecter les codes locaux, ou s'il n'existe pas de codes locaux, le code ANSI Z223.1 (l'édition la plus récente) ou au Canada, le Code actuel CAN/CGA B149.
2. La conduite d'alimentation en gaz doit mesurer 1,27 cm (1/2 po).
3. Si les codes le permettent, un tuyau en métal flexible peut être utilisé pour connecter la sécheuse à l'alimentation en gaz. Le tuyau **DOIT** être fabriqué en acier inoxydable ou en cuivre avec un revêtement de plastique.
4. La conduite d'alimentation en gaz **DOIT** comporter un robinet d'arrêt distinct.
5. Une prise de 0,32 cm (1/8 po) NPT accessible pour le branchement d'un manomètre **DOIT** être installée tout juste en amont du branchement de la conduite d'alimentation en gaz sur la sécheuse.
6. La sécheuse **DOIT** être débranchée de la canalisation de gaz pendant toute vérification de pression de l'alimentation en gaz à des pressions qui dépassent 3,45 kPa (1/2 lb/po<sup>2</sup>).
7. La sécheuse **DOIT** être isolée de la canalisation de gaz pendant toute vérification de pression de l'alimentation en gaz à des pressions égales ou inférieures à 3,45 kPa (1/2 lb/po<sup>2</sup>).

## EMPLACEMENT DE LA SÈCHEUSE

### NE PAS INSTALLER LA SÈCHEUSE :

1. Dans un endroit exposé à un écoulement d'eau ou aux conditions atmosphériques.
2. Dans un endroit où elle serait en contact avec des rideaux, draperies ou tout ce qui obstruera le flux d'air de combustion et de ventilation.
3. Sur un tapis. Le plancher **DOIT** être ferme et présenter une pente de 2,54 cm (1 po) au maximum.

### INSTALLATION DANS UNE ALCÔVE OU UN PLACARD

1. Toute sécheuse installée dans une chambre à coucher, une salle de bain, une alcôve ou un placard **DOIT** être reliée à une conduite d'évacuation d'air se terminant à l'extérieur de la maison.
2. Aucun autre appareil brûlant du combustible ne doit être installé dans le même placard que la sécheuse au Gaz.
3. La sécheuse a besoin d'un dégagement suffisant pour permettre la circulation de l'air.

### NE PAS INSTALLER LA SÈCHEUSE DANS UN PLACARD POURVU D'UNE PORTE PLEINE.

4. Une ouverture minimum de 774,2 cm<sup>2</sup> (120 po<sup>2</sup>) répartie également entre le haut et le bas de la porte est requise. Cette ouverture ne doit pas être obstruée lorsque la porte est en place. Une porte à volets dont les ouvertures totalisent la norme décrite ci-dessus est acceptable.

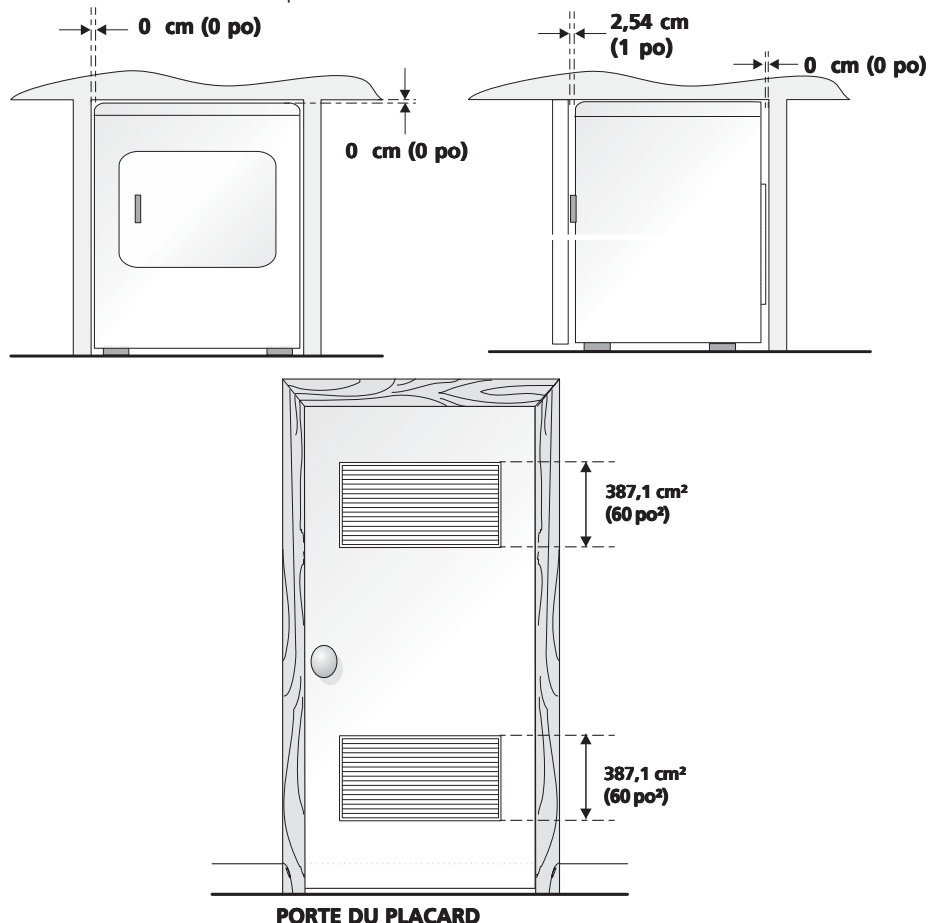
### DÉGAGEMENTS MINIMAUX POUR L'INSTALLATION en po (cm)

	D'AVANT	CÔTÉS	ARRIÈRE	DESSUS
Alcôve ou sous un comptoir	0 (0)	0 (0)	0 (0)	0 (0)
Armoire	1 (2,54)	0 (0)	0 (0)	0 (0)

Aération nécessaire dans la porte de l'armoire: 2 ouvertures à persiennes de 60 pouces carrés (387 cm carrés) chacun - à 3 pouces (7,6 cm) du bas et du haut de la porte.

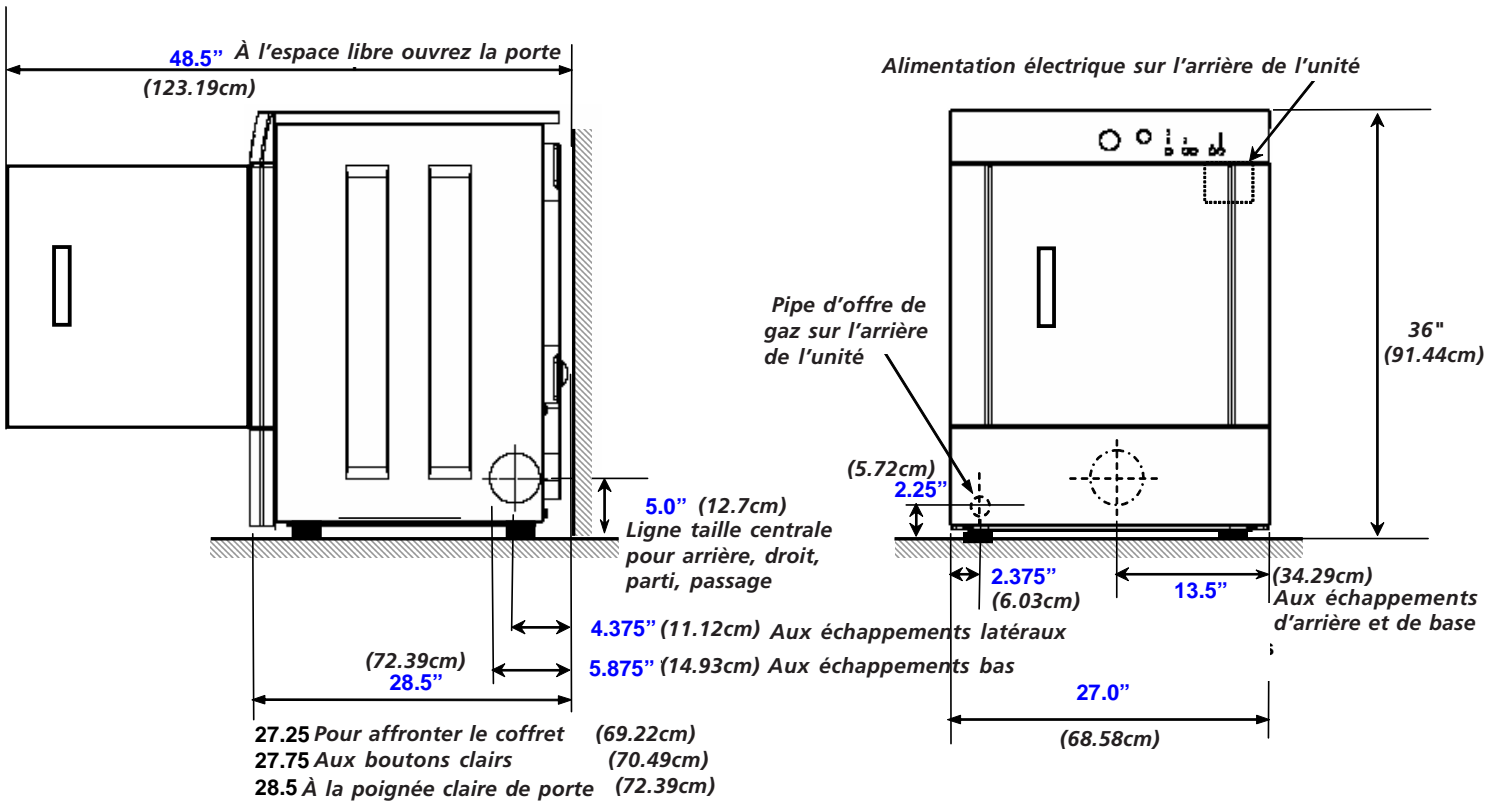
### L'AÉRATION DE CETTE SÈCHEUSE SE FAIT VERS L'EXTÉRIEUR.

5. Les illustrations qui suivent donnent le dégagement minimum pour une installation dans une alcôve ou un placard.

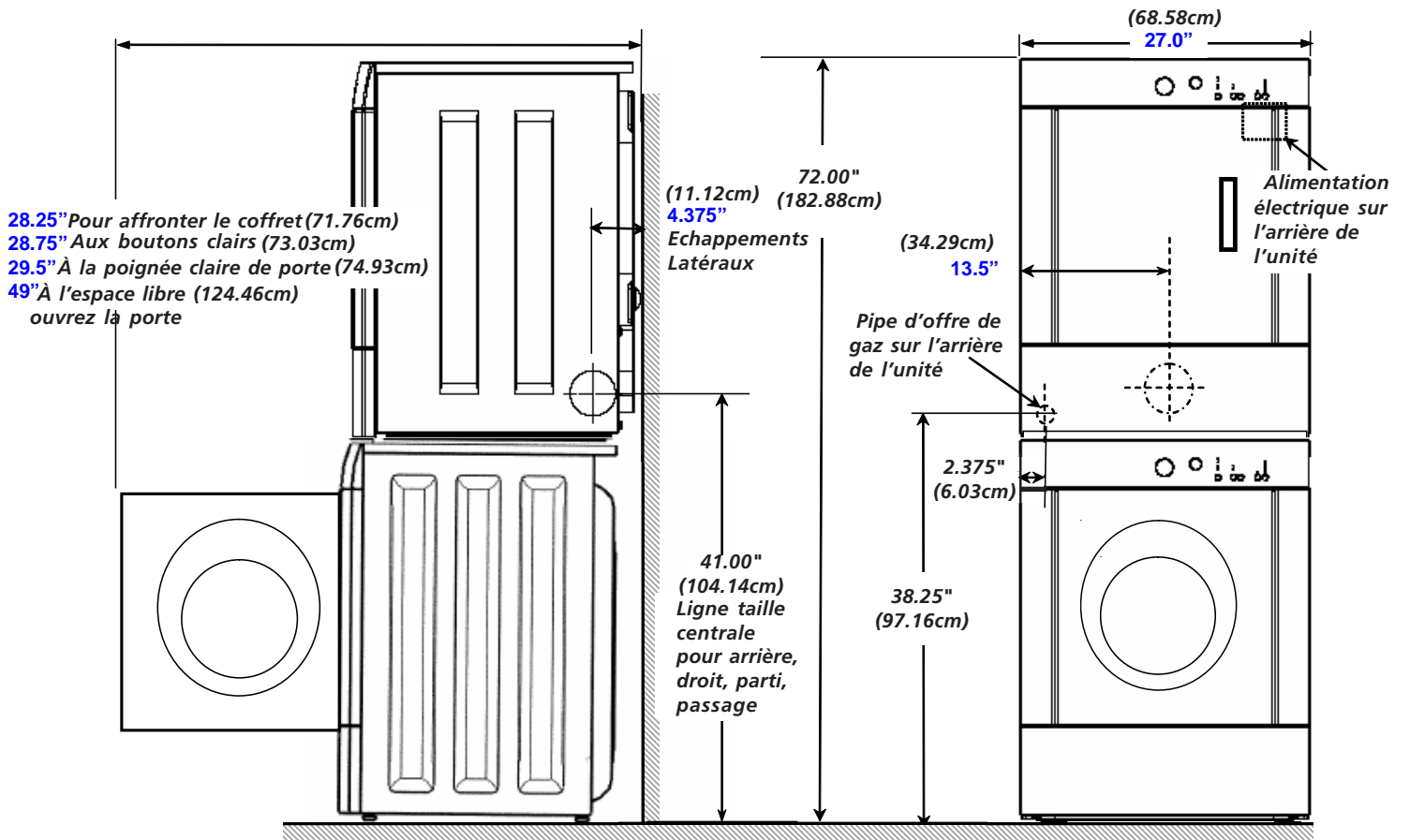




## Dimensions D'Installation De Secheuse Indépendant Et Sous Le Compteur



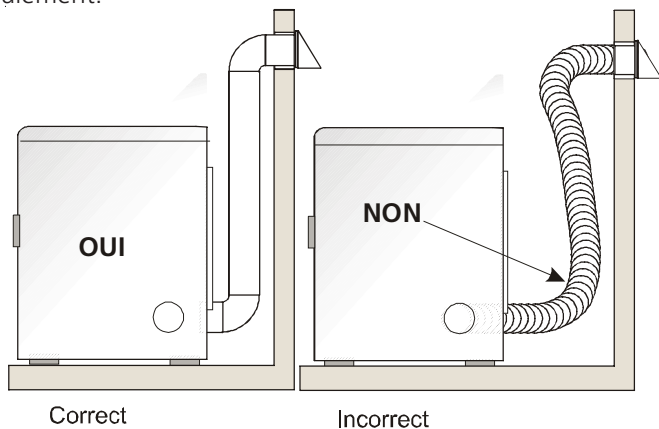
## Dimensions Empilées D'Installation De Secheuse



## INSTALLATION DANS UNE MAISON MOBILE

1. L'évacuation d'air de la sècheuse **DOIT** se faire à l'extérieur de la maison (à l'extérieur et non pas au-dessous de la maison mobile) à l'aide de conduit en métal non inflammable, à l'épreuve du feu. Les conduits en métal doivent avoir 10,16 cm (4 pouces) de diamètre sans obstructions. Les conduits en métal rigide sont préférables.
2. Si la conduite d'évacuation d'air traverse le plancher et un espace fermé situé sous la maison mobile, l'évacuation d'air **DOIT** se terminer à l'extérieur de cet espace fermé, et la sortie bien fixée à la structure de la maison mobile.
3. Lors de l'installation d'une sècheuse à gaz dans une maison mobile, il faut prévoir un apport d'air extérieur. L'espace à prévoir doit être supérieur de deux fois celui du conduit d'évacuation de la sècheuse.
4. Cette sècheuse **DOIT** être fixée au plancher. L'ensemble d'installation no. 169840 pour maison mobile est disponible chez votre distributeur.
5. Se référer aux pages 2 et 3 pour de plus amples informations sur les exigences de ventilation.
6. L'installation **DOIT** respecter la norme fédérale sur la construction et la sécurité des maisons mobiles en vigueur (Manufactured Home Construction & Safety Standard) (partie intégrant le règlement fédéral 24 CFR Partie 32-80) ou, lorsque cette norme ne s'applique pas, elle doit respecter la norme nationale américaine pour les maisons mobiles (American National Standard for Mobile Homes). Lorsque l'installation se fait au Canada, elle doit se conformer aux normes ACNOR Z240.

**⚠ AVERTISSEMENT** La sècheuse est conçue conformément à la norme ANSI Z 21.5.1 pour un **USAGE DOMESTIQUE** seulement.



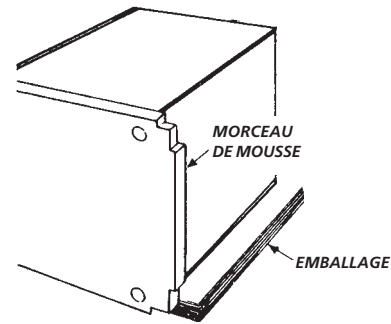
## DÉBALLAGE

1. À l'aide des quatre coins de protection de l'emballage (deux sur chaque côté), déposer délicatement la sècheuse sur son côté gauche et retirer le morceau de mousse placé sous la sècheuse pour l'expédition.

**⚠ ATTENTION** Pour ne pas endommager la sècheuse, ne pas prendre prise sur le panneau de commande pour soulever ou déplacer la sècheuse.

**REMARQUE** : Si la sècheuse doit être installée sous un comptoir, le panneau du dessus peut être démonté pour l'installation.

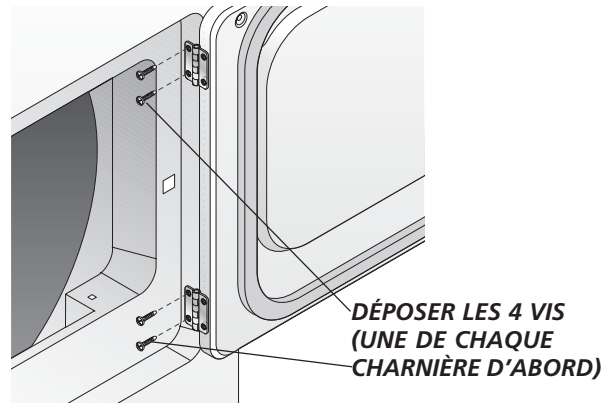
2. Remettre la sècheuse à la verticale.



## PORTE RÉVERSIBLE

### Instructions pour changer l'ouverture de la Porte sans Fenêtre :

1. Ouvrez la Porte et enlevez les 4 bouchons d'en face où on trouve la charnière. Conservez toutes les pièces pour les utiliser postérieurement, à moins qu'on ne spécifie le contraire. Note : Ayez des soins en enlevant les bouchons, pour ne pas abimer la peinture dans le Panneau Frontal.



2. Détendez les quatre (4) vis qui tiennent la charnière au Panneau Frontal. Pour de meilleurs résultats, enlevez seulement une des vis. Enlevez ensuite les deux restantes, entretemps prenez la porte fermement, pour éviter qu'il tombe et cause des dégats à la charnière, le Panneau Frontal ou à la Porte. Après avoir détendu les vis restantes, enlevez les complètement.
3. Placez la Porte, avec le côté de la charnière vers le bas, sur une serviette ou un matelas étroit, pour éviter qu'il soit doublé. Enlevez les quatre (4) vis restantes entre la charnière et la porte.
4. Enlevez quatre (4) vis dans le côté opposé de la Porte
5. Séparez l'anneau intérieur de l'extérieur de la Porte, en plaçant un tournevis plat ou un couteau sans bord. Tournez l'anneau intérieur 180 degrés et unis à nouveau les deux moitiés de la porte.
6. Installez quatre (4) vis pour assurer les moitiés de la Porte, où il était attachée la charnière
7. Installez quatre (4) vis pour assurer le joint de la charnière
8. Enlevez le contre de la charnière et jetez le aux ordures
9. Enlevez le bouchon carré et installez-le dans le trou où vous avez enlevé le contre
10. Installez le contre (même qui est fourni dans la bourse de la Littérature) dans le trou tombé juste, où vous avez enlevé le bouchon
11. En prenant la porte fermement de la partie supérieure, mettez la près de la cavité et assurez vous d'aligner le trou supérieur de la charnière avec le trou supérieur du Panneau Frontal. Une fois que vous avez commencé à placer la première vis, placez la deuxième dans l'inférieur de la charnière. Quand tous les deux soient serrés, installez les autres deux vis.
12. Installez quatre (4) bouchons dans les trous du Panneau Frontal, où étaient placées les charnières à l'origine

## INSTALLATION ÉLECTRIQUE

### ***TOUTES les sècheuses ÉLECTRIQUES***

**⚠ AVERTISSEMENT** *Les mises en garde qui suivent se rapportent directement au branchement électrique correct et sécuritaire de la sècheuse. Toute dérogation à ces mises en garde pourrait entraîner des risques choc électrique et d'incendie.*

**⚠ AVERTISSEMENT** Cet appareil **DOIT** être convenablement mis à la terre. La sècheuse présenterait des risques choc électrique si elle n'était pas convenablement mise à la terre. Respecter les directives de mise à la terre contenues dans cette notice pour une mise à la terre correcte.

**⚠ AVERTISSEMENT** Ne pas utiliser de cordon de rallonge avec cette sècheuse. Certains cordons de rallonge ne sont pas conçus pour supporter l'intensité du courant qu'utilise cette sècheuse; ils peuvent fondre et présenter un risque choc électrique ou d'incendie. Placer la sècheuse à portée de la prise murale afin de déterminer la longueur du cordon à acheter et prévoir un certain jeu dans la longueur du cordon. Se reporter à la section «Avant l'installation» de cette notice pour savoir quel type de cordon acheter.

**⚠ AVERTISSEMENT** Un détendeur approuvé par U.L. doit être fixé au cordon d'alimentation. Si le détendeur n'était pas présent, le cordon pourrait être arraché de la sècheuse ou coupé par tout type de mouvement, ce qui présenterait un risque choc électrique.

**⚠ AVERTISSEMENT** Ne pas utiliser une prise à conducteurs en aluminium avec un cordon ou une prise à conducteurs en cuivre (ni l'inverse). Une réaction chimique se produit entre le cuivre et l'aluminium qui pourrait causer un court-circuit.

**Il faut utiliser un cordon d'alimentation à conducteurs en cuivre avec une prise à conducteurs en cuivre.**

**REMARQUE : Les sècheuses qui fonctionnent avec une alimentation de 208 volts auront un temps de séchage plus long que celles qui utilisent une alimentation de 240 volts.**

### MISE À LA TERRE

#### ***Sècheuses ÉLECTRIQUES non-Canadiennes***

**⚠ AVERTISSEMENT** Le branchement inadéquat du conducteur de mise à la terre pourrait présenter un risque choc électrique. En cas de doute quant à la mise à la terre adéquate de l'appareil, contacter un électricien agréé.

Pour brancher et mettre à la terre la sècheuse à l'aide d'un cordon d'alimentation :

1. La sècheuse **DOIT** être mise à la terre. En cas de mauvais fonctionnement ou de panne, la mise à la terre réduit les risques choc électrique en offrant un parcours de moindre résistance au courant.
2. Si la sècheuse est pourvue d'un cordon d'alimentation électrique comportant un conducteur et une fiche de terre, la fiche **DOIT** être branchée dans une prise murale à conducteur en cuivre convenablement raccordée au réseau et mise à la terre conformément à tous les codes et ordonnances locaux. En cas de doute, contacter un électricien agréé.  
**Ne modifiez pas la prise équipée d'appareil.**

Pour brancher la sècheuse en permanence :

1. La sècheuse **DOIT** être branchée à une installation métallique mise à la terre en permanence; sinon, un conducteur de mise à la terre de l'appareil doit suivre les conducteurs du circuit et être branché à la borne ou à la connexion de mise à la terre de l'appareil.

#### ***Sècheuses ÉLECTRIQUES Canadiennes***

**⚠ AVERTISSEMENT** Le branchement inadéquat du conducteur de mise à la terre pourrait présenter un risque choc électrique. En cas de doute quant à la mise à la terre adéquate de l'appareil, contacter un électricien agréé.

Pour brancher et mettre à la terre la sècheuse à l'aide d'un cordon d'alimentation :

1. La sècheuse doit être mise à la terre. En cas de mauvais fonctionnement ou de panne, la mise à la terre réduit les risques choc électrique en offrant un parcours de moindre résistance au courant.
2. Puisque la sècheuse est pourvue d'un cordon d'alimentation électrique comportant un conducteur et une fiche de terre, la fiche doit être branchée dans une prise murale à conducteur en cuivre convenablement raccordée au réseau et mise à la terre conformément à tous les codes et ordonnances locaux. En cas de doute, contacter un électricien agréé. **Ne modifiez pas la prise équipée d'appareil.**

#### ***TOUTES les sècheuses à GAZ***

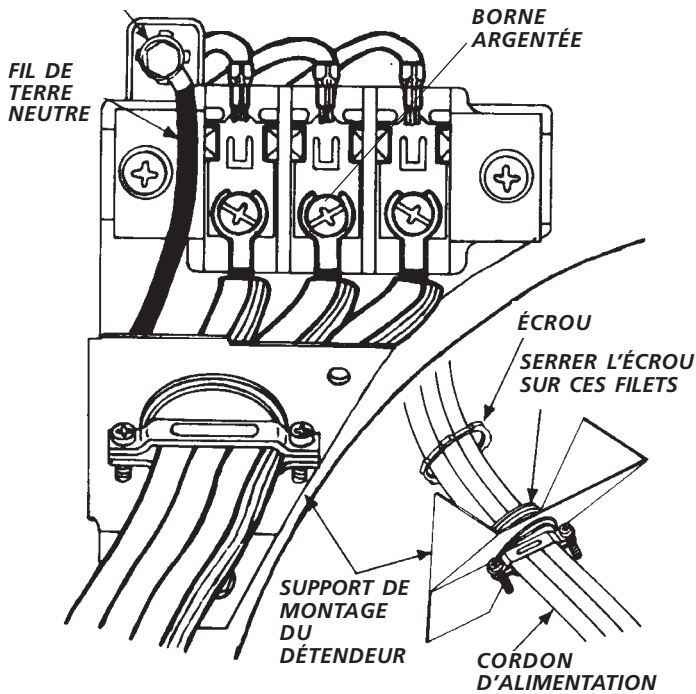
Pour votre protection contre les chocs électriques, la sècheuse est équipée d'une fiche à trois bornes (mise à la terre) et doit être branchée directement dans une prise à 3 bornes correctement mise à la terre. Ne pas couper ni enlever la fiche de mise à la terre de cette prise.

## BRANCHEMENT ÉLECTRIQUE D'UNE INSTALLATION À 3 FILS

### Sécheuses ÉLECTRIQUES non-Canadiennes

1. Retirer les vis qui retiennent le couvercle du panneau de branchement ainsi que le support de montage du détendeur situés dans le coin supérieur à l'arrière de la sécheuse.
2. Poser un détendeur approuvé par U.L. dans le trou du support où s'insère le cordon d'alimentation. Serrer simplement l'écrou à la main pour le moment.

VIS DE MISE À LA  
TERRE VERTE



3. Enfiler un cordon d'alimentation NEMA 10-30 approuvé par U.L. de 30 A de type SRDT dans le détendeur.
4. Fixer le conducteur neutre (conducteur central) du cordon d'alimentation à la borne centrale argentée du panneau de branchement. Serrer la vis à fond.
5. Fixer les deux conducteurs restants du cordon d'alimentation aux bornes cuivrées extérieures du panneau de branchement. Serrer les deux vis à fond.



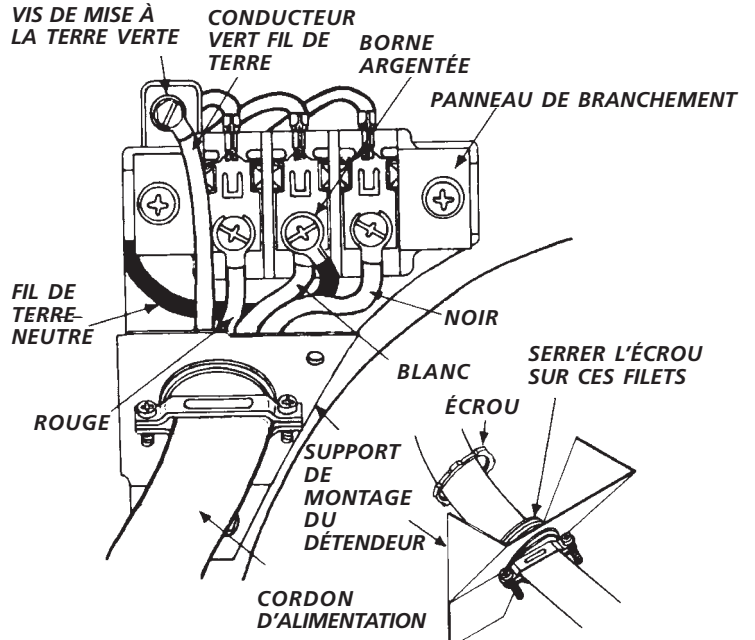
**AVERTISSEMENT** Ne pas tordre excessivement ni serrer les conducteurs sur les bornes.

6. Réattacher le support de montage du détendeur sur l'arrière de la sécheuse à l'aide de deux vis. Serrer les vis à fond.
7. Serrer à fond les vis qui retiennent le dispositif de retenue du cordon autour du cordon d'alimentation.
8. Serrer l'écrou du détendeur de façon à ce que cette pièce ne tourne pas.
9. Réattacher le couvercle du panneau de branchement.

## BRANCHEMENT ÉLECTRIQUE D'UNE INSTALLATION À 4 FILS

### Sécheuses ÉLECTRIQUES non-Canadiennes

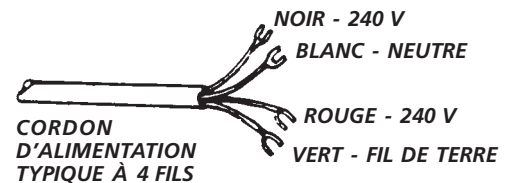
1. Retirer les vis qui retiennent le couvercle du panneau de branchement ainsi que le support de montage du détendeur situés dans le coin supérieur à l'arrière de la sécheuse.
2. Poser un détendeur approuvé par U.L. dans le trou du support. Serrer simplement l'écrou à la main pour le moment.



3. Retirer le fil de terre de la vis de mise à la terre verte neutre située au dessus du panneau de branchement.
4. Enfiler un cordon d'alimentation NEMA 10-30 approuvé par U.L. de 30 A de type SRDT dans le détendeur.



PRISE TYPIQUE À 4  
OUVERTURES



**NEMA 14-30 DE 30 A DE TYPE SRDT OU ST**

5. Fixer le fil de terre vert du cordon d'alimentation au boîtier de la sécheuse à l'aide de la vis de mise à la terre verte.
6. Fixer le conducteur blanc (neutre) du cordon d'alimentation ainsi que le fil de terre neutre du boîtier de la sécheuse à la borne centrale argentée du bloc de branchement.
7. Fixer les conducteurs rouge et noir du cordon d'alimentation aux bornes cuivrées extérieures du panneau de branchement.



**AVERTISSEMENT** Ne pas tordre excessivement ni serrer les conducteurs sur les bornes.

8. Serrer à fond les vis qui retiennent le dispositif de retenue du cordon autour du cordon d'alimentation.
9. Serrer l'écrou du détendeur de façon à ce que cette pièce ne tourne pas.
10. Réattacher le couvercle du panneau de branchement.

## INSTALLATION

- BRANCHEMENT DU GAZ (*Sécheuses à gaz seulement*)
  - Retirer le couvercle qui recouvre le tuyau de gaz à l'arrière de la sécheuse.

**REMARQUE: NE PAS** brancher la sécheuse sur une alimentation au propane sans avoir posé un nécessaire de conversion. Ce nécessaire (n° de pièce 134285300) doit être installé par un technicien agréé.

- Brancher un tuyau semi-rigide ou approuvé de 1,27 cm (1/2 po) de diamètre intérieur entre la conduite d'alimentation en gaz et le tuyau de 0,96 cm (3/8 po) situé sur l'arrière de la sécheuse. Utiliser un réducteur de 1,27 cm-0,96 cm (1/2 po-3/8 po) pour le branchement. Appliquer un mastic de fermeture pour filets approuvé qui résiste à la corrosion qu'exercent les gaz liquéfiés sur tous les raccords de tuyaux.
- Ouvrir le robinet d'arrêt de la conduite d'alimentation en gaz.
- Vérifier tous les branchements en versant de l'eau savonneuse sur les joints.

**NE JAMAIS VÉRIFIER S'IL Y A DES FUITES À L'AIDE D'UNE FLAMME VIVE.**

- Relier les conduits d'évacuation d'air à la conduite d'évacuation extérieure. Utiliser un ruban adhésif pour conduites pour sceller les joints.
- Une fois la sécheuse dans son emplacement définitif, ajuster les pieds de nivellement jusqu'à ce que la sécheuse repose fermement sur ses quatre pieds. Placer un niveau sur le dessus de la sécheuse.

**LA SÉCHEUSE DOIT ÊTRE À NIVEAU ET REPOSER FERMEMENT SUR SES QUATRE PIEDS.**

- Brancher le cordon d'alimentation électrique dans une prise mise à la terre. **REMARQUE :** S'assurer que le courant est coupé à la boîte de fusibles ou de disjoncteurs avant de brancher le cordon d'alimentation dans une prise.
- Remettre le courant à la boîte de fusibles ou de disjoncteurs.

**ATTENTION** Avant d'utiliser la sécheuse, s'assurer que les environs de la sécheuse sont exempts de tout matériau inflammable, d'essence et de toute autre vapeur inflammable. S'assurer également qu'aucun objet (boîtes, vêtements, etc.) n'obstrue la circulation de l'air servant à la combustion et à la ventilation.

- Faire fonctionner la sécheuse sur un cycle complet pour en vérifier le fonctionnement.

**REMARQUE:** Dans le cas des sécheuses à gaz, la conduite doit être vidée de son air avant que le brûleur ne puisse s'allumer. Si le brûleur ne s'allume pas dans les 45 secondes qui suivent le premier démarrage, l'interrupteur de sûreté éteint automatiquement le brûleur. Si cela se produit, remettre la minuterie à «OFF» et attendre 5 minutes avant de tenter une nouvelle fois d'allumer le brûleur.

- Si la sécheuse ne fonctionne pas, passer en revue la section de dépannage inclus dans le Guide de l'utilisateur avant d'appeler un centre de service.

- Placer cette notice près de la sécheuse pour référence future.
- Pour empiler votre Sécheuse sur une Laveuse compatible appelez votre revendeur local ou appelez le numéro sans coût **(1 800 - 463 - 0119 Montréal, 1-888-871-4043 Villa du Québec)** pour trouver votre distributeur local et acheter la pièce accessoire numéro **STACKIT2**.

**REMARQUE:** Un schéma de câblage se trouve dans le panneau de commande ou sous le couvercle de la sécheuse.

## PIÈCES DE RECHANGE

### Piédestal

Un accessoire de piédestal, **N° de Modèle NLPWD15 (Blanc), NLPWD15GB (Bleu Glacière), NLPWD15P (Graphite) and NLPWD15E (Noir)**, a spécifiquement conçu pour cette sécheuse peut être utilisé en élevant la sécheuse pour la facilité d'utilisation. Le manque d'utiliser des accessoires certifiés par le fabricant a pu avoir comme conséquence des blessures, des dommages matériels ou des dommages à la sécheuse.

Si des pièces de rechanges sont nécessaires pour votre machine à laver, entrez en contact avec la source où vous avez acheté votre machine à laver ou appelez 1-800-463-0119 pour le dépôt de service de Frigidaire dans la région de Montréal et banlieues, ou 1-888-871-4043 dans la ville du Québec et banlieues.

**ATTENTION** Lors de tout travail d'entretien ou de réparation des commandes, étiqueter tous les câbles avant de les débrancher. Les erreurs de connexion de câble peuvent entraîner un fonctionnement incorrect et dangereux. Une fois la réparation ou l'entretien terminé, assurez-vous que l'appareil fonctionne correctement.

**AVERTISSEMENT** Détruire le carton et les sacs en plastique après avoir déballé la sécheuse. Des enfants risqueraient de s'en servir comme jouet. Les cartons recouverts d'un tapis, d'un couvre-lit ou d'une feuille de plastique peuvent former une chambre étanche et faire suffoquer un enfant. Placer le matériel d'emballage dans une poubelle ou les mettre hors de portée des enfants.

**AVERTISSEMENT** Les directives qui figurent dans cette notice et dans les autres documents qui accompagnent la sécheuse ne sauraient couvrir toutes les circonstances et les situations possibles. **IL FAUT** donc faire preuve de jugement et de prudence pendant l'installation, l'utilisation et l'entretien de tout appareil électroménager.