

Installation Instructions

Gas Dryer 10



Questions on Installation? Call: 800.GE.CARES (US) or 800-561-3344 (Canada)
or visit our web site at: www.GEAppliances.com (US)

BEFORE YOU BEGIN

Read these instructions completely and carefully.

- **IMPORTANT**- Save these instructions for local inspector's use.
- **IMPORTANT**- Observe all governing codes and ordinances.
- **Note to Installer** - Be sure to leave these instructions with the customer.
- **Note to Customer** - Keep these instructions with your Owner's Manual for future reference.
- Before the old dryer is removed from service or discarded, remove the dryer door.
- Service information and the wiring diagram are located in the control console.
- Do not allow children on or in the appliance. Close supervision of children is necessary when the appliance is used near children.
- Install the dryer where the temperature is above 50°F for satisfactory operation of the dryer control system.
- Product failure due to improper installation is not covered under the Warranty.

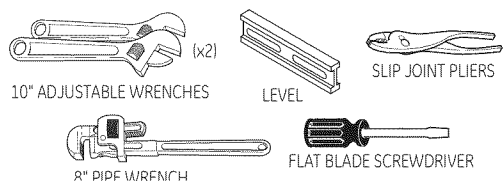
⚠ WARNING RISK OF FIRE

- To reduce the risk of severe injury or death, follow all installation instructions.
- Clothes dryer installation must be performed by a qualified installer.
- Install the clothes dryer according to these instructions and in accordance with local codes.
- *California Safe Drinking Water and Toxic Enforcement Act*
This act requires the governor of California to publish a list of substances known to the state to cause cancer, birth defects or other reproductive harm and requires businesses to warn customers of potential exposure to such substances. Gas appliances can cause minor exposure to four of these substances, namely benzene, carbon monoxide, formaldehyde and soot, caused primarily by the incomplete combustion of natural gas or LP fuels. Properly adjusted dryers will minimize incomplete combustion. Exposure to these substances can be minimized further by properly venting the dryer to the outdoors.
- This dryer must be exhausted to the outdoors.
- Use only rigid metal 4" diameter ductwork inside the dryer cabinet and use only UL approved transition ducting between the dryer and the home duct.
- DO NOT install a clothes dryer with flexible plastic ducting materials. If flexible metal (semirigid or foil-type) duct is installed, it must be UL listed and installed in accordance with the instructions found in "Connecting The Dryer To House Vent" on page 5 of this manual. Flexible venting materials are known to collapse, be easily crushed, and trap lint. These conditions will obstruct dryer airflow and increase the risk of fire.
- Do not install or store this appliance in any location where it could be exposed to water and or weather.
- Save these instructions. (Installers: Be sure to leave these instructions with the customer).

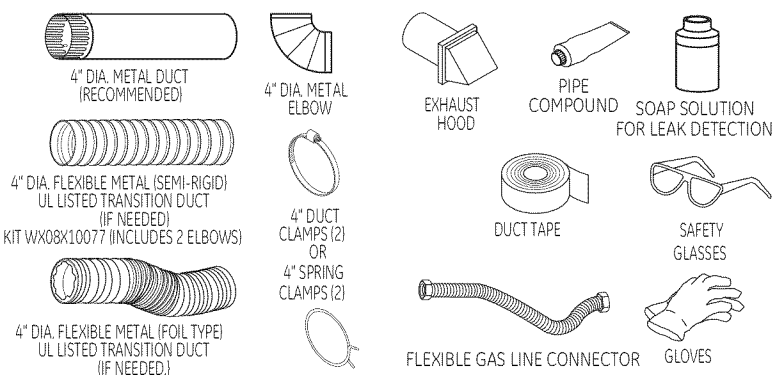
IN THE COMMONWEALTH OF MASSACHUSETTS

- This product must be installed by a licensed plumber or gas fitter.
- When using ball-type gas shut-off valves, they shall be the T-handle type.
- A flexible gas connector, when used, must not exceed 3 feet.

TOOLS YOU WILL NEED



MATERIALS YOU WILL NEED



- Step 1 Verify your gas installation (see section 2).
- Step 2 Prepare the area and exhaust for installation of new dryer (see section 1).
- Step 3 Check and ensure the existing external exhaust is clean (see section 1) and meets attached installation specifications (see section 6).
- Step 4 Remove the foam shipping pads (see section 1).
- Step 5 Move the dryer to the desired location.
- Step 6 Level your dryer (see section 8).
- Step 7 Connect the gas supply (see section 3) and check for leaks (see section 4).
- Step 8 Connect the external exhaust (see section 7).

- Step 9 Connect the power supply (see section 5).
- Step 10 Check the operation of the power supply, gas connections, and venting.
- Step 11 Place the Owner's Manual and the Installation Instructions in a location where they will be noticed by the owner.

For alcove or closet installation, see section 9.
For bathroom or bedroom installation, see section 10.
For mobile or manufactured home, see section 11.
For garage installation (if allowed by local codes), see section 12.
For side or bottom exhaust, see section 13.

Installation Instructions

Minimum Clearance Other Than Alcove or Closet Installation

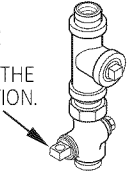
Minimum clearance to combustible surfaces and for air opening are: 0 in. clearance both sides, 1 in. front 3 in. rear. Consideration **must** be given to provide adequate clearance for installation and service.

1 PREPARING FOR INSTALLATION OF NEW DRYER

TIP: Install your dryer before installing your washer. This will allow better access when installing dryer exhaust.

DISCONNECTING GAS

TURN GAS SHUT-OFF VALVE TO THE OFF POSITION.



DISCONNECT AND DISCARD OLD FLEXIBLE GAS CONNECTOR AND OLD DUCTING MATERIAL. REPLACE WITH NEW CSA(AGA) APPROVED FLEXIBLE GAS LINE CONNECTOR AND UL APPROVED TRANSITION DUCT.

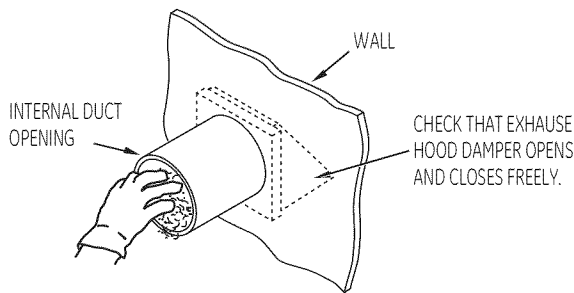


⚠ WARNING - NEVER REUSE OLD FLEXIBLE CONNECTORS.

The use of old flexible connectors can cause leaks and personal injury. Always use new flexible connectors when installing gas appliances.

REMOVING LINT FROM WALL EXHAUST OPENING

- Remove and discard existing plastic or metal foil transition duct and replace with UL listed transition duct.

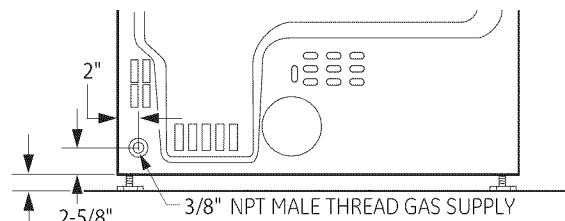


2 GAS REQUIREMENTS

⚠ WARNING

- Installation must conform to local codes and ordinances, or in their absence, the NATIONAL FUEL GAS CODE, ANSI Z223.
- This gas dryer is equipped with a Valve & Burner Assembly for use only with natural gas. Using conversion kit WE25X0217, your local service organization can convert this dryer for use with propane (LP) gas. ALL CONVERSIONS MUST BE MADE BY PROPERLY TRAINED AND QUALIFIED PERSONNEL AND IN ACCORDANCE WITH LOCAL CODES AND ORDINANCE REQUIREMENTS.
- The dryer must be disconnected from the gas supply piping system during any pressure testing of that system at a test pressure in excess of 0.5 PSI (3.4 KPa).
- The dryer must be isolated from the gas supply piping system by closing the equipment shut-off valve during any pressure testing of the gas supply piping of test pressure equal to or less than 0.5 PSI (3.4 KPa).

DRYER GAS SUPPLY CONNECTION



NOTE: Add to vertical dimension the distance between cabinet bottom to floor.

- A 1/8 in. National Pipe Taper thread plugged tapping, accessible for test gauge connection, must be installed immediately upstream of the gas supply connection to the dryer. Contact your local gas utility should you have questions on the installation of the plugged tapping.
- Supply line is to be 1/2 in. rigid pipe and equipped with an accessible shut-off within 6 ft. of, and in the same room with the dryer.
- Use pipe thread sealer compound appropriate for natural or LP gas or use Teflon tape.
- Connect flexible metal connector to dryer and gas supply.
- Open shut-off valve.
- You must use with this dryer a flexible metal connector (listed connector ANSI Z21.24 / CSA 6.10). The length of the connect shall not exceed 3 ft.

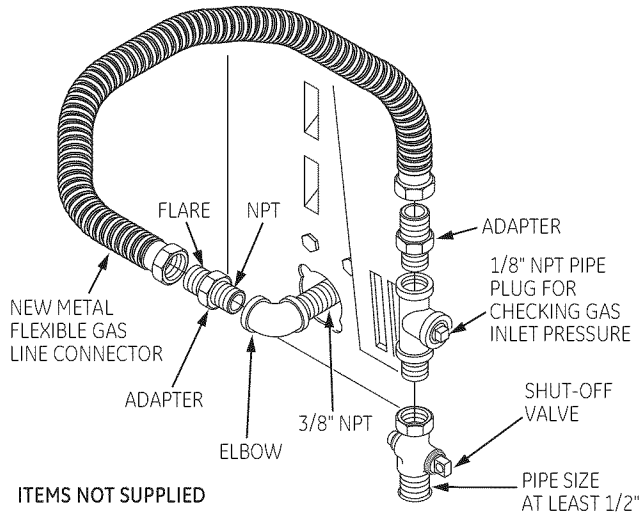
ADJUSTING FOR ELEVATION

- Gas clothes dryers input ratings are based on sea level operation and need not be adjusted for operation at or below 2000 ft. elevation. For operation at elevations above 2000 ft., input ratings should be reduced at a rate of 4 percent for each 1000 ft. above sea level.
- Installation must conform to local codes and ordinances or, in their absence, the NATIONAL FUEL GAS CODE, ANSI Z223.

Installation Instructions

3 RECONNECTING GAS

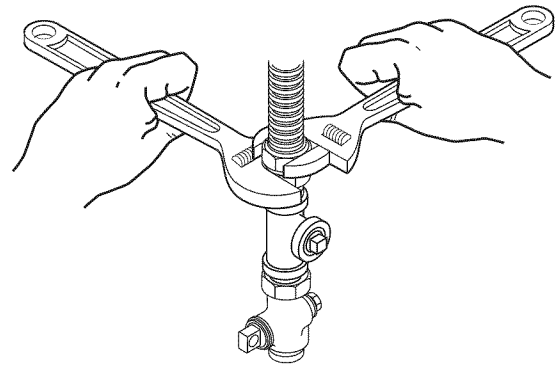
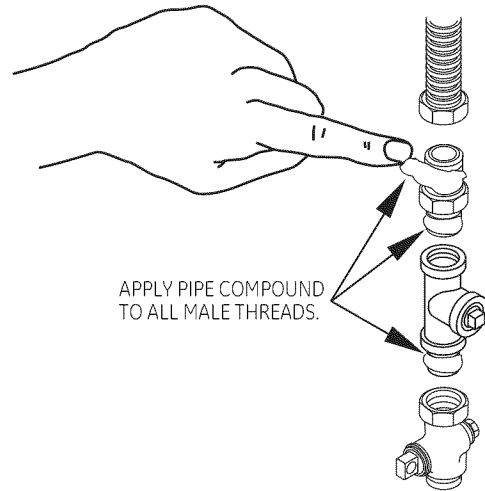
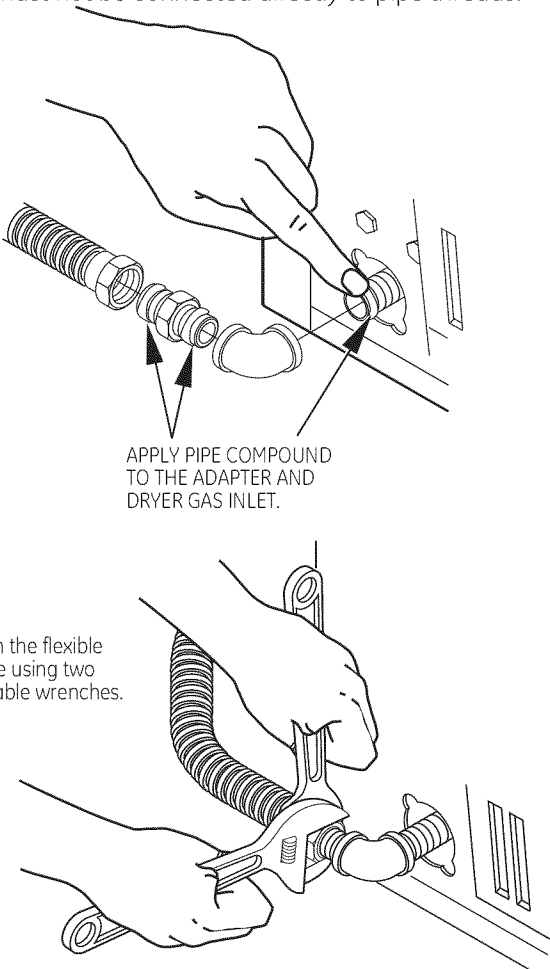
Listed connector ANSI Z21.24 / CSA 6.10



ITEMS NOT SUPPLIED

NOTE: The connector and fittings are designed for use only on the original installation and are not to be reused for another appliance or at another location. Keep flare end of adaptor free of grease, oil and thread sealant.

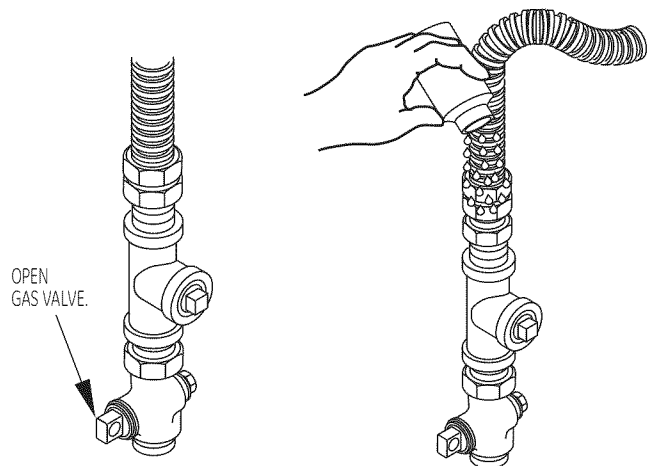
CAUTION: Use adaptors as shown. Connector nuts must not be connected directly to pipe threads.



Tighten all connections using two adjustable wrenches. **Do not overtorque gas connections!**

4 LEAK TEST

⚠ WARNING - NEVER USE AN OPEN FLAME TO TEST FOR GAS LEAKS.



Check all connections for leaks with soapy solution or equivalent. Apply soap solution. Leak test solution must not contain ammonia which could cause damage to the brass fittings. If leaks are found, close valve, retighten the joint, and repeat the soap test.

Installation Instructions

5 ELECTRICAL CONNECTION INFORMATION

⚠ WARNING - TO REDUCE THE RISK OF FIRE, ELECTRICAL SHOCK, AND PERSONAL INJURY:

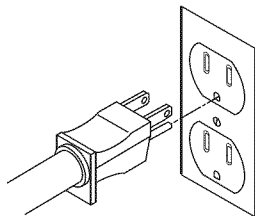
- DO NOT USE AN EXTENSION CORD OR AN ADAPTER PLUG WITH THIS APPLIANCE.

Dryer must be electrically grounded in accordance with local codes and ordinances, or in the absence of local codes, in accordance with the NATIONAL ELECTRICAL CODE, ANSI/NFPA NO. 70.

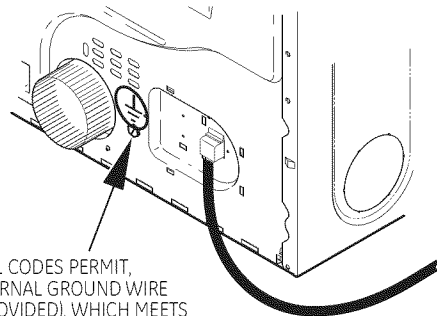
ELECTRICAL REQUIREMENTS

This appliance must be supplied with 120V, 60Hz, and connected to a properly grounded branch circuit, protected by a 15- or 20-amp circuit breaker or time delay fuse. If electrical supply provided does not meet the above specifications, it is recommended that a licensed electrician install an approved outlet.

⚠ WARNING - THIS DRYER IS EQUIPPED WITH A THREE-PRONG (GROUNDING) PLUG FOR YOUR PROTECTION AGAINST SHOCK HAZARD AND SHOULD BE PLUGGED DIRECTLY INTO A PROPERLY GROUNDED THREE-PRONG RECEPTACLE. DO NOT CUT OR REMOVE THE GROUNDING PRONG FROM THIS PLUG.



ENSURE PROPER GROUND EXISTS BEFORE USE



IF LOCAL CODES PERMIT, AN EXTERNAL GROUND WIRE (NOT PROVIDED), WHICH MEETS LOCAL CODES, MAY BE ADDED BY ATTACHING TO THE GREEN GROUND SCREW ON THE REAR OF THE DRYER, AND TO A GROUNDED METAL COLD WATER PIPE OR OTHER ESTABLISHED GROUND.

6 EXHAUST INFORMATION

⚠ WARNING - IN CANADA AND IN THE UNITED STATES, THE REQUIRED EXHAUST DUCT DIAMETER IS 4 in (102mm). DO NOT USE DUCT LONGER THAN SPECIFIED IN THE EXHAUST LENGTH TABLE.

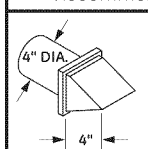
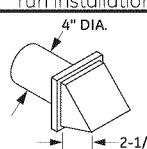
Using exhaust longer than specified length will:

- Increase the drying times and the energy cost.
- Reduce the dryer life.
- Accumulate lint, creating a potential fire hazard.

The correct exhaust installation is YOUR RESPONSIBILITY. Problems due to incorrect installation are not covered by the warranty.

Remove and discard existing plastic or metal foil transition duct and replace with UL listed transition duct. The **MAXIMUM ALLOWABLE** duct length and number of bends of the exhaust system depends upon the type of duct, number of turns, the type of exhaust hood (wall cap), and all conditions noted below. The maximum duct length for rigid metal duct is shown in the table below.

EXHAUST LENGTH

	RECOMMENDED MAXIMUM LENGTH	
	Exhaust Hood Types	
	Recommended	Use only for short run installations
		
No. of 90° Elbows	Rigid Metal	Rigid Metal
0	90 Feet	60 Feet
1	60 Feet	45 Feet
2	45 Feet	35 Feet
3	35 Feet	25 Feet
4	25 Feet	15 Feet

EXHAUST SYSTEM CHECK LIST

HOOD OR WALL CAP

- Terminate in a manner to prevent back drafts or entry of birds or other wildlife.
- Termination should present minimal resistance to the exhaust air flow and should require little or no maintenance to prevent clogging.
- Never install a screen in or over the exhaust duct. This could cause lint build up.
- Wall caps must be installed at least 12 in. above ground level or any other obstruction with the opening pointed down.

SEPARATION OF TURNS

For best performance, separate all turns by at least 4 ft. of straight duct, including distance between last turn and exhaust hood.

TURNS OTHER THAN 90°

- One turn of 45° or less may be ignored.
- Two 45° turns should be treated as one 90° turn.
- Each turn over 45° should be treated as one 90° turn.

Installation Instructions

SEALING OF JOINTS

- All joints should be tight to avoid leaks. The male end of each section of duct must point away from the dryer.
- The duct shall not be assembled with screws or other fastening means that extend into the duct and catch lint.
- Duct joints can be made air and moisture-tight by wrapping the overlapped joints with duct tape.
- Horizontal runs should slope down toward the outdoors 1/4 inch per foot.

INSULATION

Duct work that runs through an unheated area or is near air conditioning should be insulated to reduce condensation and lint build-up.

7 EXHAUST CONNECTION BEFORE PERFORMING THIS EXHAUST INSTALLATION, BE SURE TO DISCONNECT THE DRYER FROM ITS ELECTRICAL SUPPLY.

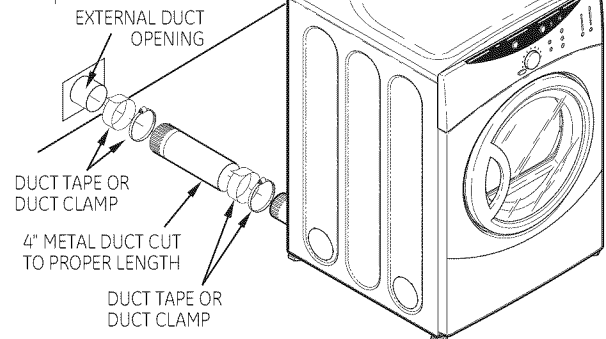
⚠ WARNING - TO REDUCE THE RISK OF FIRE OR PERSONAL INJURY:

- This clothes dryer must be exhausted to the outdoors.
- Use only 4" rigid metal ducting for the home exhaust duct.
- Use only 4" rigid metal or UL-listed flexible metal (semi-rigid or foil-type) duct to connect the dryer to the home exhaust duct. It must be installed in accordance with the instructions found in "Connecting the Dryer to House Vent" on pages 5-6 of this manual.
- Do not terminate exhaust in a chimney, a wall, a ceiling, gas vent, crawl space, attic, under an enclosed floor, or in any other concealed space of a building. The accumulated lint could create a potential fire hazard.
- Never terminate the exhaust into a common duct with a kitchen exhaust system. A combination of grease and lint creates a potential fire hazard.
- Do not use duct longer than specified in the exhaust length table. Longer ducts can accumulate lint, creating a potential fire hazard.
- Never install a screen in or over the exhaust duct. This will cause lint to accumulate, creating a potential fire hazard.
- Do not assemble ductwork with any fasteners that extend into the duct. These fasteners can accumulate lint, creating a potential fire hazard.
- Do not obstruct incoming or exhausted air.
- Provide an access for inspection and cleaning of the exhaust system, especially at turns and joints. Exhaust system shall be inspected and cleaned at least once a year.

THIS DRYER COMES READY FOR REAR EXHAUSTING. IF SPACE IS LIMITED, USE THE INSTRUCTIONS IN SECTION 13 TO EXHAUST DIRECTLY FROM THE SIDES OR BOTTOM OF THE CABINET.

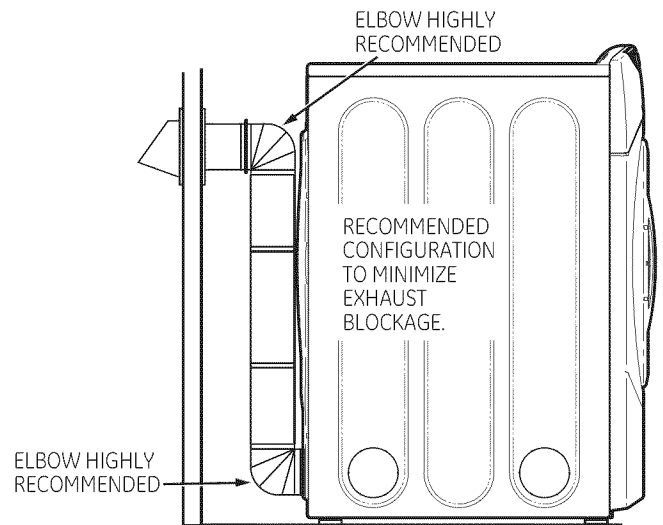
STANDARD REAR EXHAUST (Vented at floor level)

For straight line installation, connect the dryer exhaust to the external exhaust hood using duct tape or clamp.



NOTE: WE STRONGLY RECOMMEND SOLID METAL EXHAUST DUCTING. HOWEVER, IF FLEXIBLE DUCTING IS USED IT MUST BE UL-LISTED METAL, NOT PLASTIC.

STANDARD REAR EXHAUST (Vented above floor level)



NOTE: ELBOWS WILL PREVENT DUCT KINKING AND COLLAPSING.

CONNECTING THE DRYER TO HOUSE VENT

RIGID METAL TRANSITION DUCT

- For best drying performance, a rigid metal transition duct is recommended.
- Rigid metal transition ducts reduce the risk of crushing and kinking.

Installation Instructions

UL-LISTED FLEXIBLE METAL (SEMI-RIGID) TRANSITION DUCT

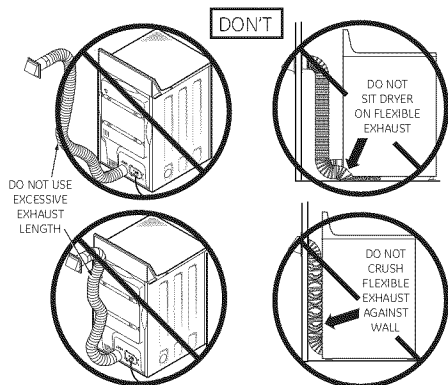
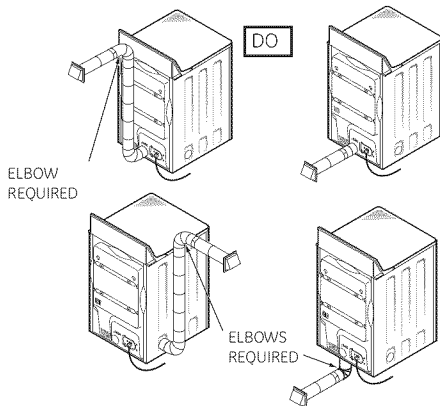
- If rigid metal duct cannot be used, then UL-listed flexible metal (semi-rigid) ducting can be used (Kit WX08X10077).
- Never install flexible metal duct in walls, ceilings, floors or other enclosed spaces.
- Total length of flexible metal duct should not exceed 8 feet (2.4m).
- For many applications, installing elbows at both the dryer and the wall is highly recommended (see illustrations below). Elbows allow the dryer to sit close to the wall without kinking and or crushing the transition duct, maximizing drying performance.
- Avoid resting the duct on sharp objects.

UL-LISTED FLEXIBLE METAL (FOIL-TYPE) TRANSITION DUCT

- In special installations, it may be necessary to connect the dryer to the house vent using a flexible metal (foil-type) duct. A UL-listed flexible metal (foil-type) duct may be used **ONLY** in installations where rigid metal or flexible metal (semi-rigid) ducting cannot be used AND where a 4" diameter can be maintained throughout the entire length of the transition duct.
- In Canada and the United States, only the flexible metal (foil-type) ducts that comply with the "Outline for Clothes Dryer Transition Duct Subject 2158A" shall be used.
- Never install flexible metal duct in walls, ceilings, floors or other enclosed spaces.
- Total length of flexible metal duct should not exceed 8 feet (2.4m).
- Avoid resting the duct on sharp objects.

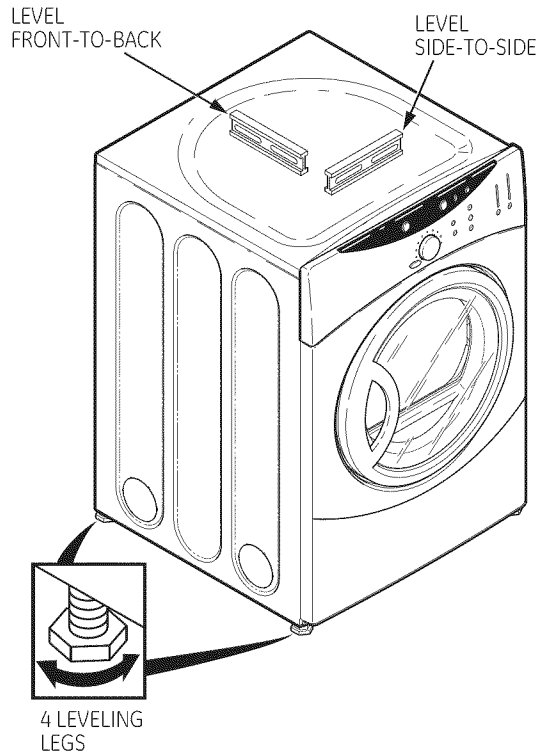
For best drying performance:

1. Slide one end of the duct over the clothes dryer outlet pipe.
2. Secure the duct with a clamp.
3. With the dryer in its permanent position, extend the duct to its full length. Allow 2" of duct to overlap the exhaust pipe. Cut off and remove excess duct. Keep the duct as straight as possible for maximum airflow.
4. Secure the duct to the exhaust pipe with the other clamp.



8 LEVELING AND STABILIZING YOUR DRYER

Stand the dryer upright near the final location and adjust the 4 leveling legs, at the corners, to ensure that the dryer is level from side to side and front to rear.



9 ALCOVE OR CLOSET INSTALLATION

- If your dryer is approved for installation in an alcove or closet, it will be stated on a label on the dryer back.
- The dryer **MUST** be vented to the outdoors. See the **EXHAUST INFORMATION** step 6.
- Minimum clearance between dryer cabinet and adjacent walls or other surfaces is:
 - 0 in. either side
 - 3 in. front
 - 3 in. rear
- Minimum vertical space from floor to overhead cabinets, ceiling, etc. is 52 in.
- Closet doors must be louvered or otherwise ventilated and must contain a minimum of 60 sq. in. of open area equally distributed. If the closet contains both a washer and a dryer, doors must contain a minimum of 120 sq. in. of open area equally distributed.
- The closet should be vented to the outdoors to prevent gas pocketing in case of a gas leak in the supply line.
- No other fuel-burning appliance shall be installed in the same closet with the dryer.

NOTE: WHEN THE EXHAUST DUCT IS LOCATED AT THE REAR OF THE DRYER, MINIMUM CLEARANCE FROM THE WALL IS 5.5 in.

Installation Instructions

10 BATHROOM OR BEDROOM INSTALLATION

- The dryer MUST be vented to the outdoors. See EXHAUST INFORMATION step 6.
- The installation must conform with local codes or, in the absence of local codes, with the NATIONAL ELECTRICAL CODE, ANSI/NFPA NO. 70.

11 MOBILE OR MANUFACTURED HOME INSTALLATION

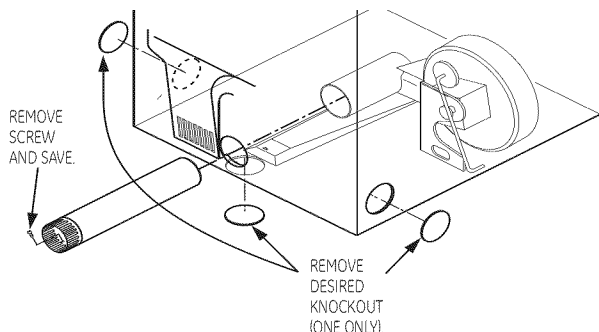
- Installation must conform to the MANUFACTURED HOME CONSTRUCTION & SAFETY STANDARD, TITLE 24, PART 32-80 or, when such standard is not applicable, with AMERICAN NATIONAL STANDARD FOR MOBILE HOME, ANSI/NFPA NO. 501B.
- The dryer MUST be vented to the outdoors with the termination securely fastened to the mobile home structure. (See EXHAUST INFORMATION step 6).
- The vent MUST NOT be terminated beneath a mobile or manufactured home.
- The vent duct material MUST BE METAL.
- KIT 14-D346-33 MUST be used to attach the dryer securely to the structure.
- The vent MUST NOT be connected to any other duct, vent, or chimney.
- Do not use sheet metal screws or other fastening devices which extend into the interior of the exhaust vent.
- Provide an opening with a free area of at least 25 sq. in. for introduction of outside air into the dryer room.

12 GARAGE INSTALLATION (IF ALLOWED BY LOCAL CODES)

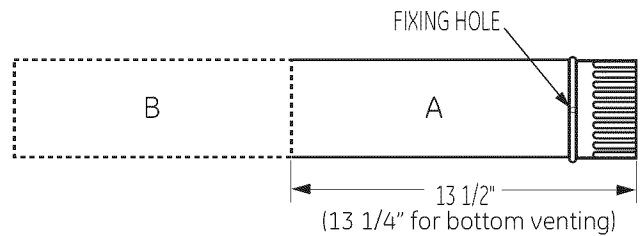
- Dryers installed in garages must be elevated 18 inches (46cm) above the floor.

13 DRYER EXHAUST TO LEFT OR BOTTOM CABINET

⚠ WARNING - BEFORE PERFORMING THIS EXHAUST INSTALLATION, BE SURE TO DISCONNECT THE DRYER FROM ITS ELECTRICAL SUPPLY. PROTECT YOUR HANDS AND ARMS FROM SHARP EDGES WHEN WORKING INSIDE THE CABINET. BE SURE TO WEAR GLOVES.

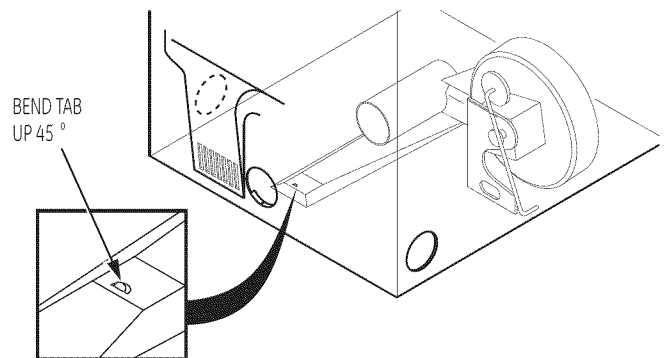


Detach and remove the bottom or left side knockout as desired. Remove the screw inside the dryer exhaust duct and save. Pull the duct out of the dryer. Protect sharp edges around the knockout and exhaust opening with the tape.



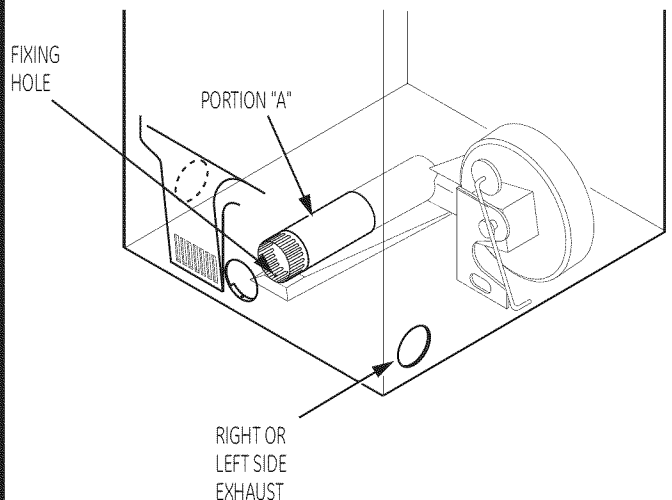
Cut the duct as shown and keep portion A.

TAB LOCATION



Through the rear opening, locate the tab in the middle of the appliance base. Lift the tab to about 45° using a flat blade screwdriver.

ADDING NEW DUCT



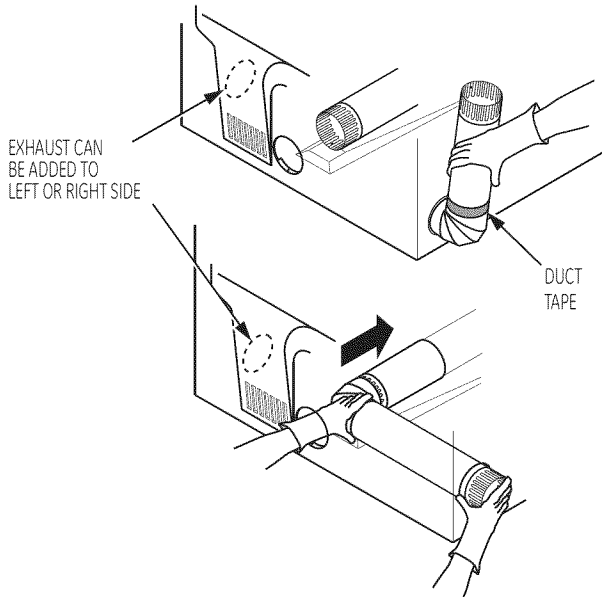
Reconnect the cut portion (A) of the duct to the blower housing. Make sure that the fixing hole is aligned with the tab in the base. Use the screw saved previously to secure the duct in place through the tab on the appliance base.

Installation Instructions

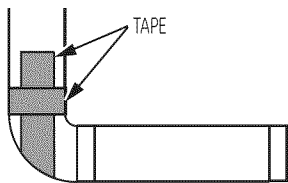
ADDING ELBOW AND DUCT FOR EXHAUST TO LEFT OR RIGHT SIDE OF CABINET

- Preassemble 4" elbow with 4" duct. Wrap duct tape around joint.
- Insert duct assembly, elbow first, through the side opening and connect the elbow to the dryer internal duct.

CAUTION: Be sure not to pull or damage the electrical wires inside the dryer when inserting the duct.



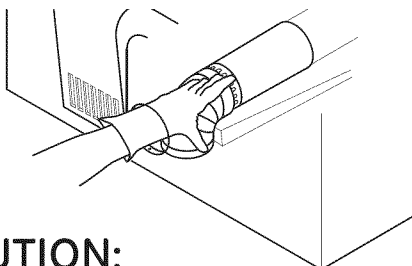
- Apply duct tape as shown on the joint between the dryer internal duct and the elbow.



CAUTION: Use 4" rigid metal ducting only inside the dryer. Internal duct joints must be secured with tape, otherwise they may separate and cause a safety hazard.

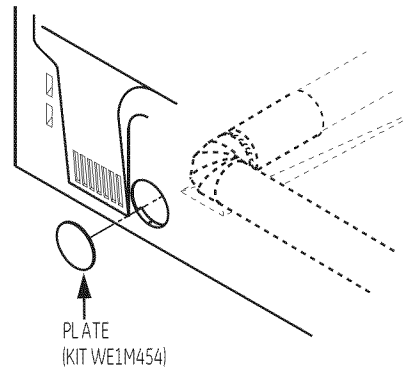
ADDING ELBOW FOR EXHAUST THROUGH BOTTOM OF CABINET

- Insert the elbow through the rear opening and connect it to the dryer internal duct.
- Apply duct tape on the joint between the dryer internal duct and elbow, as shown above.



CAUTION: Internal duct joints must be secured with tape, otherwise they may separate and cause a safety hazard.

ADDING COVER PLATE TO REAR OF CABINET



Connect standard metal elbows and ducts to complete the exhaust system. Cover back opening with a plate (Kit WE1M454) available from your local service provider. Place dryer in final location.

WARNING-NEVER LEAVE THE BACK OPENING WITHOUT THE PLATE.

REGISTER YOUR NEW APPLIANCE TO RECEIVE ANY IMPORTANT PRODUCT NOTIFICATIONS.

Please go to www.GEAppliances.com or mail in your Product Registration Card.

For questions on installation, call: 800.626.2000 (US) or 800-561-3344 (Canada).

Instrucciones de instalación

Secadora a gas 10



¿Preguntas sobre la instalación? Llame al: 800-GEARES (EE.UU.) o 800-561-3344 (Canadá) o visite nuestro sitio Web en: www.GEAppliances.com (EE.UU.)

ANTES DE COMENZAR

Lea estas instrucciones por completo y con detenimiento.

- **IMPORTANTE** - Guarde estas instrucciones para el uso de inspectores locales.
- **IMPORTANTE** - Siga todos los códigos y ordenanzas vigentes.
- **Nota al instalador** - Asegúrese de dejar estas instrucciones con el consumidor.
- **Nota al consumidor** - Mantenga estas instrucciones con el Manual del propietario para referencia futura.
- Antes de que la secadora antigua sea retirada del servicio o eliminada, quítele la puerta.
- La información sobre reparaciones y el diagrama del cableado se encuentran en la consola de control.
- No permita que niños se suban o se metan dentro del aparato. Se requiere una supervisión estricta cuando el aparato es utilizado cerca de niños.
- Instale la secadora en lugares donde la temperatura sea mayor a 50°F para un funcionamiento satisfactorio del sistema de control de la secadora.
- La garantía no cubre las fallas del producto debido a una instalación incorrecta.

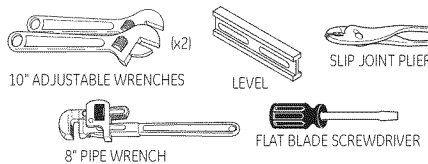
⚠ ADVERTENCIA RIESGO DE INCENDIO

- Para reducir el riesgo de una lesión grave o de muerte, cumpla con todas las instrucciones de instalación.
- La instalación de la secadora debe efectuarla un instalador calificado.
- Instale la secadora de ropa de acuerdo con estas instrucciones y en cumplimiento con los códigos locales.
- *Ley de California para el agua potable y los tóxicos*
Esta ley exige que el Gobernador de California publique una lista de sustancias que según el estado provoquen cáncer, defectos congénitos u otros daños reproductivos, y exige a las empresas que adviertan a los clientes sobre la exposición potencial a dichas sustancias. Los aparatos a gas pueden provocar una exposición mínima a estas sustancias, a saber, benceno, monóxido de carbono, formaldehído y hollín, generados principalmente por la combustión incompleta de gas natural o combustibles LP. Si se ajustan bien las secadoras, la combustión incompleta se verá minimizada. La exposición a estas sustancias puede minimizarse aún más mediante una ventilación adecuada hacia el exterior.
- Esta secadora debe tener una salida al exterior.
- Utilice sólo un conducto rígido de metal de un diámetro de 4" dentro del gabinete de la secadora y use sólo un conducto de transición aprobado por UL entre la secadora y el conducto doméstico.
- NO instale una secadora de ropa con conductos de plástico flexible. Si se instala un conducto flexible de metal (semi rígido o de tipo papel de aluminio), debe estar aprobado por UL e instalarse de acuerdo con las instrucciones de "Cómo conectar la secadora a la ventilación doméstica" de la página 5 de este manual. Los materiales de ventilación flexibles a menudo se desploman, se aplastan y atrapan pelusas. Estas condiciones obstruyen la corriente de aire de la secadora e incrementan el riesgo de incendio.
- No instale o almacene este aparato en un lugar donde se vea expuesto al agua y/o a las inclemencias del tiempo.
- Guarde estas instrucciones. (Instaladores: Asegúrese de dejar estas instrucciones al consumidor).

EN EL ESTADO DE MASSACHUSETTS

- Este producto debe instalarlo un plomero o un gasfitero matriculado.
- Cuando use válvulas esféricas de cierre de gas, deberán ser del tipo de manija en T.
- Si se usa una conexión flexible para gas, ésta no debe superar los 3 pies.

TOOLS YOU WILL NEED



MATERIALES NECESARIOS



- Paso 1 Verifique su instalación de gas (ver sección 2).
Paso 2 Prepare el área y la salida para la instalación de la nueva secadora (ver sección 1).
Paso 3 Verifique y asegúrese de que la salida al exterior existente esté limpia (ver sección 1) y que cumpla con las especificaciones de instalación incluidas (ver sección 6).
Paso 4 Quite las almohadillas de espuma para envío (ver sección 1).
Paso 5 Desplace la secadora a la ubicación deseada.
Paso 6 Nivele su secadora (ver sección 8).
Paso 7 Conecte el suministro de gas (ver sección 3) y controle la presencia de pérdidas (ver sección 4).
Paso 8 Conecte la salida al exterior (ver sección 7).

- Paso 9 Conecte el suministro de energía (ver sección 5).
Paso 10 Verifique el funcionamiento del suministro de energía, las conexiones de gas y la ventilación.
Paso 11 Coloque el manual del propietario y las instrucciones de instalación en un lugar de fácil acceso para el propietario.

- Para instalación en nicho o closet, ver sección 9.
Para instalación en baños o dormitorios, ver sección 10.
Para casas móviles o prefabricadas, ver sección 11.
Para instalación en garaje (si permitido por los códigos locales), ver sección 12.
Para salidas laterales o por la parte inferior, ver sección 13.

Instrucciones de instalación

Espacio mínimo diferente a instalación en nichos o closets.

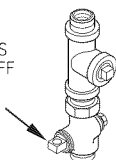
Los espacios libres mínimos respecto de superficies combustibles y de aberturas de aire son: Espacio de 0 pulg. a ambos lados, 1 pulg. en el frente y 3 pulg. en la parte trasera. Debe tenerse en cuenta un espacio libre adecuado para un funcionamiento y reparación correctos.

1 PREPARACIÓN PARA LA INSTALACIÓN DE UNA SECADORA NUEVA

CONSEJO: Instale su secadora antes de instalar la lavadora. Esto permitirá un mejor acceso cuando instale la salida de la secadora.

CÓMO DESCONECTAR EL GAS

GIRE LA VÁLVULA DE CIERRE DE GAS A LA POSICIÓN OFF (APAGADO)



DESCONECTE Y ELIMINE EL CONECTOR DE GAS FLEXIBLE ANTIGUO Y LOS CONDUCTOS VIEJOS. REEMPLÁCELOS CON UN NUEVO CONECTOR DE LÍNEA DE GAS FLEXIBLE APROBADO POR CSA (AGA) Y UN CONDUCTO DE TRANSICIÓN APROBADO POR UL.

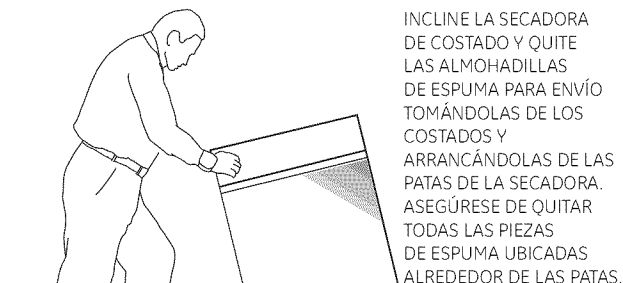
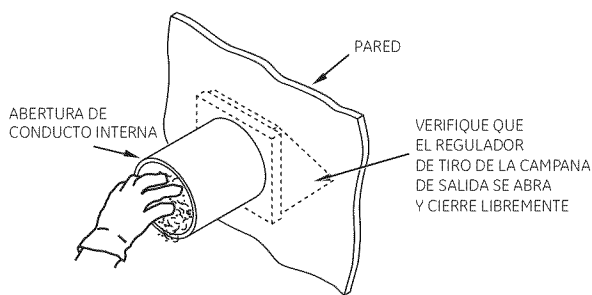


ADVERTENCIA - NUNCA VUELVA A USAR CONECTORES FLEXIBLES GASTADOS.

El uso de conectores flexibles usados puede provocar pérdidas de gas y lesiones personales. Siempre utilice conectores flexibles nuevos cuando instale aparatos de gas.

CÓMO QUITAR PELUSA DE LA ABERTURA DE LA SALIDA DE LA PARED

- Quite y descarte el conducto de transición existente de plástico o de papel de aluminio y coloque un conducto de transición aprobado por UL.

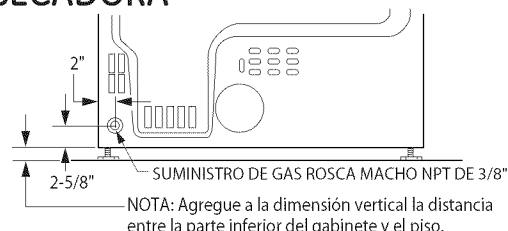


2 REQUERIMIENTOS DE GAS

ADVERTENCIA

- La instalación debe cumplir con códigos o ordenanzas locales, o si no las hubiera, con el CÓDIGO NACIONAL DE GAS, ANSI Z223.
- Esta secadora a gas está equipada con un montaje de válvula y quemador para utilizar sólo con gas natural. Mediante el kit de conversión WE25X0217, la organización de atención local puede convertir esta secadora para su uso con gas propano (LP). TODAS LAS CONVERSIONES DEBEN LLEVARLAS A CABO PERSONAL CAPACITADO Y CALIFICADO EN CUMPLIMIENTO CON CÓDIGOS LOCALES Y REQUERIMIENTOS DE ORDENANZAS.
- La secadora debe desconectarse del sistema de tubería de suministro de gas durante cualquier prueba de presión del sistema con una presión de prueba mayor a 0.5 PSI (3.4 KPa).
- La secadora debe aislarse del sistema de tubería de suministro de gas cerrando la válvula de cierre del equipo durante cualquier puesta a prueba del sistema en presiones de prueba iguales o menores a 0.5 PSI (3.4.4KPa).

CONEXIÓN DE SUMINISTRO DE GAS DE LA SECADORA



SUMINISTRO DE GAS

- Debe instalarse una toma a rosca de 1/8" NPT, accesible para una conexión del manómetro de prueba, inmediatamente en sentido ascendente de la conexión de suministro de gas hacia la secadora. Si tiene dudas sobre la instalación de la toma, comuníquese con su empresa proveedora de gas local.
- La línea de suministro debe ser de tubería rígida de 1/2" y debe contar con un cierre accesible dentro de los 6 pies de la secadora, dentro de la misma habitación donde se encuentra la misma.
- Utilice compuesto sellador para rosca de tubería apropiado para gas natural o LP o utilice cinta de Teflon.
- Una el conector de metal flexible a la secadora y al suministro de gas.
- Abra la válvula de cierre.
- Con esta secadora debe usarse un conector de metal flexible (conector aprobado ANSI Z21.24 / CSA 6.10). La longitud de la conexión no deberá superar los 3 pies.

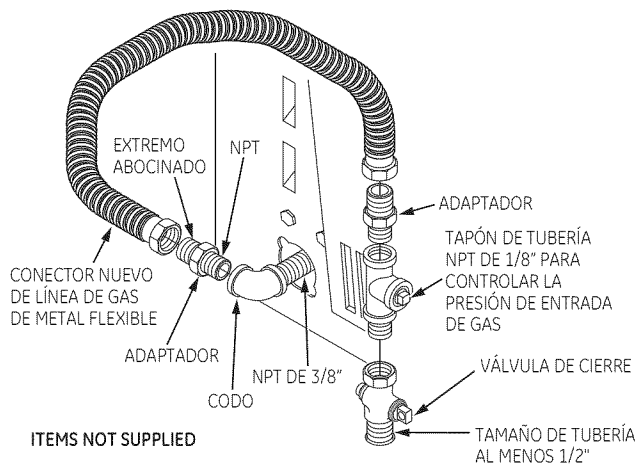
AJUSTE PARA ALTURAS ELEVADAS

- Las clasificaciones de entrada de secadoras para ropa a gas se basan en el funcionamiento a nivel del mar y no deben ajustarse para funcionar a una elevación de 2000 pies o por debajo de la misma. Para un funcionamiento en alturas mayores a 2000 pies, las clasificaciones de entrada deben reducirse a una tasa de 4% por cada 1000 pies sobre el nivel del mar.
- La instalación debe cumplir con códigos y ordenanzas locales, o si no las hubiera, con el CÓDIGO NACIONAL DE GAS COMBUSTIBLE, ANSI Z223.

Instrucciones de instalación

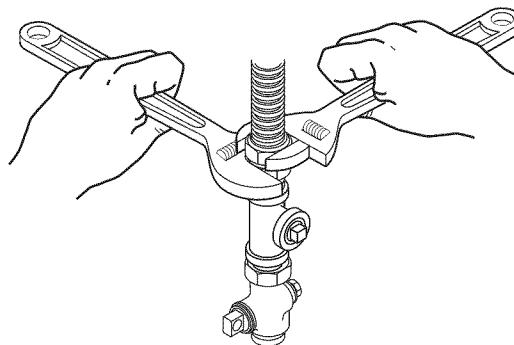
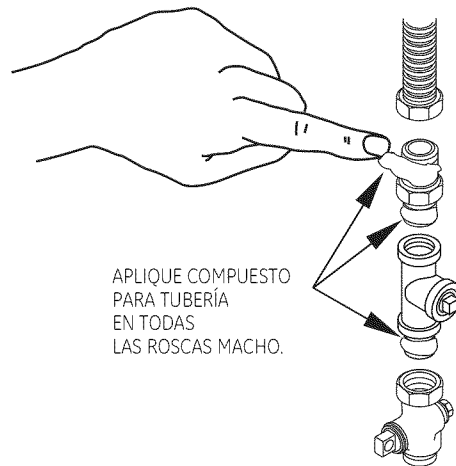
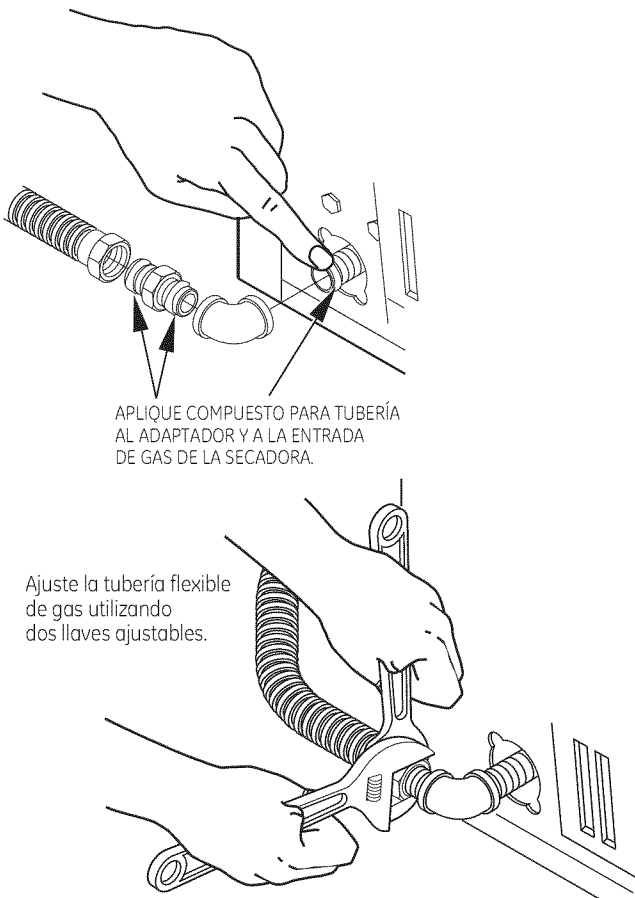
3 CÓMO RECONECTAR EL GAS

Conector aprobado ANSI Z21.24 / CSA 6.10



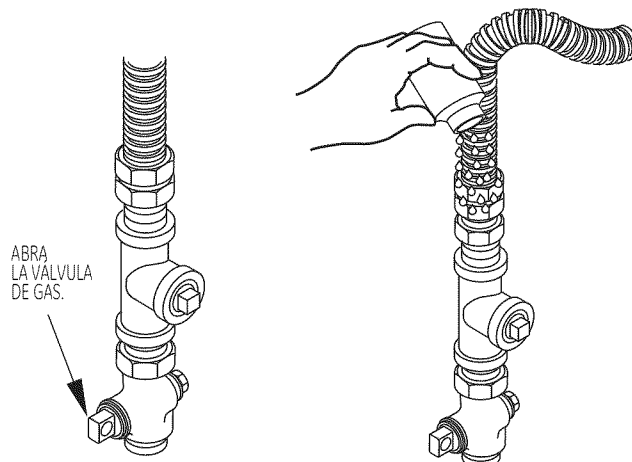
NOTA: El conector y los accesorios se encuentran diseñados para usarse sólo en la instalación original y no deben volverse a usar en otro aparato o en otra ubicación. Mantenga el extremo abocinado del adaptador libre de grasa, aceite y sellador de roscas.

PRECAUCIÓN: Utilice los adaptadores como se indica. Las tuercas de conexión no deben conectarse directamente en las roscas de la tubería.



4 PRUEBA DE DETECCIÓN DE PÉRDIDAS

⚠ ADVERTENCIA - NUNCA UTILICE UNA LLAMA ABIERTA PARA DETECTAR PÉRDIDAS DE GAS.



Instrucciones de instalación

5 INFORMACIÓN SOBRE CONEXIONES ELÉCTRICAS

⚠ ADVERTENCIA - PARA REDUCIR EL RIESGO DE INCENDIO, DESCARGA ELÉCTRICA Y LESIONES PERSONALES:

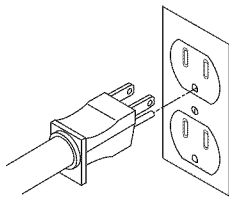
- **NO UTILICE UN CABLE DE EXTENSIÓN O UN ENCHUFE ADAPTADOR CON ESTE APARATO.**

La secadora debe contar con una conexión eléctrica a tierra en cumplimiento con los códigos y ordenanzas locales, o si éstos no existieran, de acuerdo con el CÓDIGO ELÉCTRICO NACIONAL, ANSI/NFPA N°. 70.

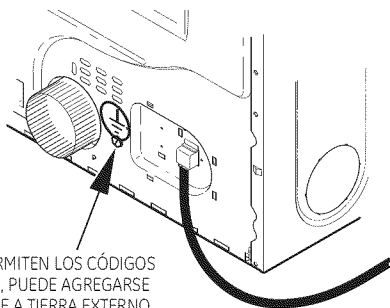
REQUISITOS ELÉCTRICOS

Este aparato debe contar con un suministro de 120V, 60Hz, debe estar conectado a un circuito derivado individual con una adecuada conexión a tierra y deben contar con la protección de un interruptor de circuitos o fusible de tiempo retardado de 15 o 20 amperios. Si el suministro eléctrico provisto no cumple con las especificaciones anteriores, se recomienda que un electricista con licencia instale un tomacorriente aprobado.

⚠ ADVERTENCIA - ESTA SECADORA ESTÁ EQUIPADA CON UN ENCHUFE DE TRES CLAVIJAS (CONEXIÓN A TIERRA) PARA SU PROTECCIÓN CONTRA DESCARGAS ELÉCTRICAS Y DEBE ENCHUFARSE DIRECTAMENTE EN UN TOMACORRIENTE DE TRES CLAVIJAS CON ADECUADA CONEXIÓN A TIERRA. NO CORTE O quite LA CLAVIJA DE CONEXIÓN A TIERRA DE ESTE ENCHUFE.



VERIFIQUE QUE HAYA UNA CONEXIÓN A TIERRA ADECUADA ANTES DEL USO.



SI LO PERMITEN LOS CÓDIGOS LOCALES, PUEDE AGREGARSE UN CABLE A TIERRA EXTERNO (NO PROVISTO), QUE CUMPLA CON LOS CÓDIGOS LOCALES, SUJETÁNDOLO AL TORNILLO VERDE DE CONEXIÓN A TIERRA EN LA PARTE TRASERA DE LA SECADORA, Y A LA TUBERÍA DE AGUA FRÍA DE METAL CON CONEXIÓN A TIERRA U OTRA CONEXIÓN A TIERRA ESTABLECIDA.

6 INFORMACIÓN DE SALIDA

⚠ ADVERTENCIA - EN CANADÁ Y LOS ESTADOS UNIDOS, EL DIÁMETRO DE CONDUCTO DE SALIDA REQUERIDO ES DE 4 PULG. (102 mm). NO UTILICE UN CONDUCTO DE UNA LONGITUD MAYOR A LA ESPECIFICADA EN LA TABLA DE LONGITUD DE SALIDA.

Al utilizar una salida de mayor longitud a la especificada se:

- Incrementarán los tiempos de secado y el costo de energía.
- Reducirá la vida útil de la secadora.
- Acumulará pelusa, lo que podría generar un riesgo potencial de incendio. **La correcta instalación de salida es SU RESPONSABILIDAD. Los problemas generados por una instalación incorrecta no se encuentran cubiertos por la garantía.** Quite y descarte el conducto de transición existente de plástico o de papel de aluminio y coloque un conducto de transición aprobado por UL. La longitud **MÁXIMA PERMITIDA** del conducto y la cantidad de codos del sistema de salida dependen del tipo de conducto, la cantidad de curvas, la clase de campana de salida (cubierta de pared) y todas las condiciones indicadas a continuación. La longitud máxima del conducto para conductos rígidos de metal se indica en la siguiente tabla.

LONGITUD DE SALIDA

LONGITUD MÁXIMA RECOMENDADA		
Tipos de campana de salida		
	Recomendado	Utilizar sólo en instalaciones de trayecto corto
Cant. de codos de 90°	Metal Rígido	Metal Rígido
0	90 Pies	60 Pies
1	60 Pies	45 Pies
2	45 Pies	35 Pies
3	35 Pies	25 Pies
4	25 Pies	15 Pies

LISTA DE CONTROL DEL SISTEMA DE SALIDA CAMPANA O CUBIERTA DE PARED

- Instale la salida de modo de evitar contracorrientes o el ingreso de pájaros u otros insectos o animales.
- La boca de salida debe presentar una resistencia mínima al flujo de salida y debe requerir poco o ningún mantenimiento para evitar las obstrucciones.
- Nunca instale un filtro dentro o sobre el conducto de salida. Esto podría provocar una acumulación de pelusa.
- Las cubiertas de pared deben instalarse por lo menos a 12" sobre el nivel del suelo o cualquier otra obstrucción con la abertura apuntando hacia abajo.

SEPARACIÓN DE CURVAS

Para un mejor desempeño, separe todas las curvas con por lo menos 4 pies de conducto recto, incluyendo la distancia entre la última curva y la campana de salida.

GIROS QUE NO SON DE 90°

- Un giro de 45° o menos puede ignorarse.
- Dos giros de 45° deben tratarse como un giro de 90°.
- Todos los giros de más de 45° deben tratarse como un giro de 90°.

Instrucciones de instalación

SELLADO DE JUNTAS

- Todas las juntas deben estar bien selladas para evitar pérdidas. El extremo macho de cada sección de conducto debe apuntar en dirección opuesta a la secadora.
- El conducto no deberá instalarse con tornillos u otros medios de sujeción que se extiendan dentro del conducto y enganchen pelusas.
- Las juntas de los conductos deben ser herméticas al aire y a la humedad mediante la superposición de juntas con cinta aislante o cinta de aluminio.
- Los tramos horizontales deben tener una inclinación hacia el exterior de 1/4" por pie.

AISLACIÓN

Los conductos instalados a través de un área sin calefacción o ubicados cerca de un acondicionador de aire deben aislarse para reducir la condensación y la acumulación de pelusas.

7 CONEXIÓN A LA SALIDA ANTES DE EFECTUAR ESTA INSTALACIÓN DE SALIDA, ASEGÚRESE DE DESCONECTAR LA SECADORA DEL SUMINISTRO ELÉCTRICO.

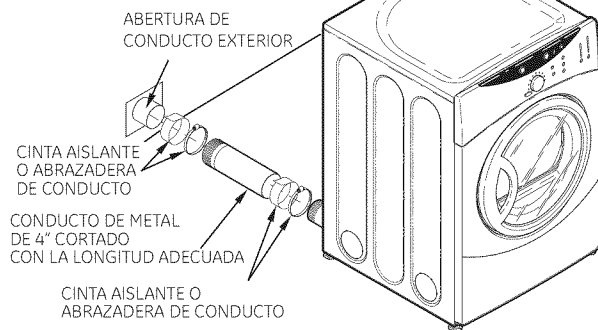
⚠ ADVERTENCIA - PARA REDUCIR EL RIESGO DE INCENDIO O DE LESIONES PERSONALES:

- Esta secadora de ropa debe tener una salida al exterior.
- Utilice sólo un conducto de metal rígido de 4" para el conducto de salida doméstico.
- Use sólo un conducto de metal rígido de 4" o de metal flexible (semi rígido o de tipo papel de aluminio) aprobado por UL para conectar la secadora al conducto de salida doméstico. Debe instalarse de acuerdo con las instrucciones incluidas en "Cómo conectar la secadora a la ventilación doméstica" de las páginas 5-6 de este manual.
- No instale la boca de salida dentro de una chimenea, pared, cielorraso, ventilación de gas, espacio entre pisos, ático, bajo un piso con cerramiento o en cualquier otro espacio oculto de un edificio. La acumulación de pelusas podría provocar un riesgo potencial de incendio.
- Nunca instale la boca de salida dentro de un conducto común con el sistema de salida de la cocina. La combinación de grasa y pelusas podría provocar un riesgo potencial de incendio.
- No utilice un conducto de una longitud mayor a la especificada en la tabla de longitud de salida. Los conductos más largos acumulan pelusa, lo que genera un riesgo potencial de incendio.
- Nunca instale un filtro dentro o sobre el conducto de salida. Esto provocará la acumulación de pelusas, lo que genera un riesgo potencial de incendio.
- No arme la red de conductos con sujeciones que se extiendan dentro del conducto. Estas sujeciones pueden acumular pelusa, lo que genera un riesgo potencial de incendio.
- No obstruya el aire que entra y sale.
- Incluya un acceso para inspección y limpieza del sistema de salida, especialmente en las curvas y juntas. El sistema de salida debe inspeccionarse y limpiarse por lo menos una vez al año.

ESTA SECADORA VIENE LISTA PARA UTILIZAR UNA SALIDA POR LA PARTE TRASERA. SI EL ESPACIO ES LIMITADO, UTILICE LAS INSTRUCCIONES DE LA SECCIÓN 13 PARA UNA SALIDA DIRECTA DESDE LOS LADOS O PARTE INFERIOR DEL GABINETE.

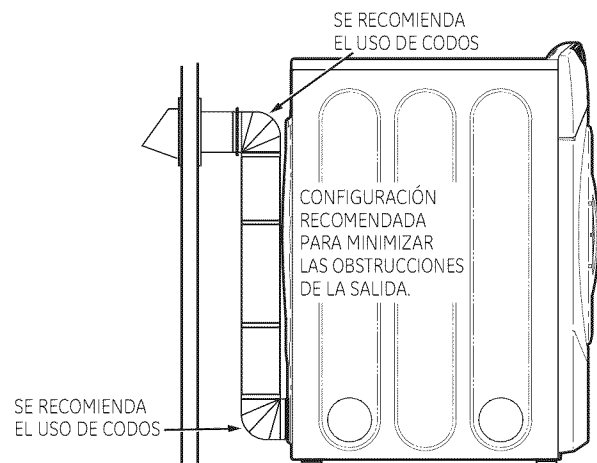
SALIDA TRASERA ESTÁNDAR (Ventilación a nivel del suelo)

Para una instalación en línea recta, conecte la salida de la secadora a la campana de salida al exterior con cinta aislante o una abrazadera.



NOTA: RECOMENDAMOS ENFÁTICAMENTE EL USO DE CONDUCTOS DE SALIDA DE METAL SÓLIDO. SIN EMBARGO, SI SE USAN CONDUCTOS FLEXIBLES, ÉSTOS DEBEN SER DE METAL APROBADOS POR UL, NO DE PLÁSTICO.

SALIDA TRASERA ESTÁNDAR (Ventilación sobre el nivel del suelo)



NOTA: LOS CODOS EVITAN QUE LOS CONDUCTOS SE DOBLEN O CAIGAN.

CÓMO CONECTAR LA SECADORA A LA VENTILACIÓN DOMÉSTICA

CONDUCTO DE TRANSICIÓN DE METAL RÍGIDO

- Para un mejor desempeño de secado, se recomienda un conducto de transición de metal rígido.
- Los conductos de transición de metal rígidos reducen el riesgo de aplastamientos y torceduras.

Instrucciones de instalación

CONDUCTO DE TRANSICIÓN DE METAL FLEXIBLE (SEMI-RÍGIDO) APROBADO POR UL

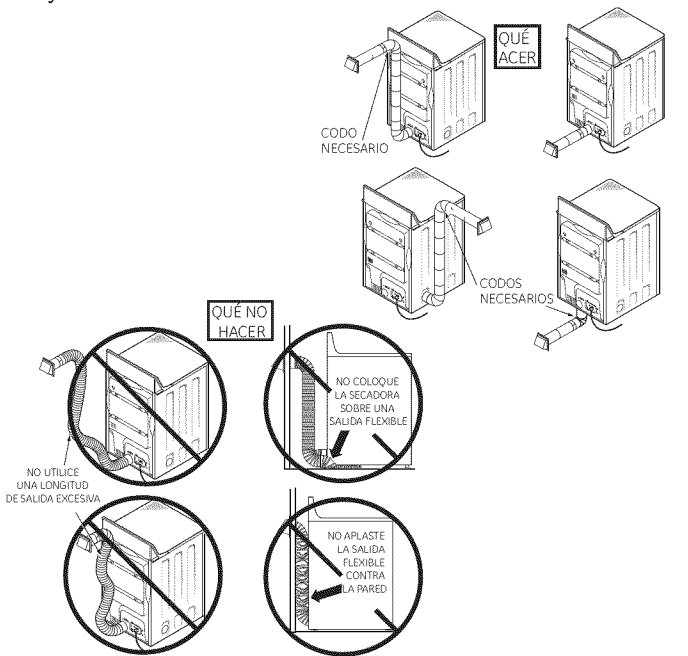
- Si no puede utilizarse un conducto de metal rígido, entonces puede usarse un conducto de metal flexible (semi-rígido) aprobado por UL (Kit WX08X10077).
- Nunca instale conductos de metal flexibles en paredes, cielorrasos, pisos u otros espacios cerrados.
- La longitud total del conducto de metal flexible no deberá superar los 8 pies (2.4 m).
- Para muchas aplicaciones, se recomienda enfáticamente la instalación de codos en la secadora y en la pared (ver ilustraciones de abajo). Los codos permiten que la secadora se ubique cerca de la pared sin torcer o aplastar el conducto de transición, lo que potencia al máximo el desempeño de secado.
- No coloque el conducto sobre objetos afilados.

CONDUCTO DE TRANSICIÓN DE METAL FLEXIBLE (SEMI-RÍGIDO) APROBADO POR UL

- En instalaciones especiales, puede ser necesario conectar la secadora a la ventilación doméstica utilizando un conducto de metal flexible (tipo papel de aluminio). Puede utilizarse un conducto de metal flexible (tipo papel de aluminio) aprobado por UL SÓLO en instalaciones en las que no pueden usarse conductos de metal rígidos o flexibles (semi-rígidos) Y en las que puede mantenerse un diámetro de 4" a lo largo de todo el conducto de transición.
- En Canadá y los Estados Unidos, solamente deberán utilizarse los conductos de metal flexibles (tipo papel de aluminio) que cumplan con el "Resumen para conductos de transición para secadoras de ropa, Tema 2158A".
- Nunca instale conductos de metal flexibles en paredes, cielorrasos, pisos u otros espacios cerrados.
- La longitud total del conducto de metal flexible no deberá superar los 8 pies (2.4 m).
- No coloque el conducto sobre objetos afilados.

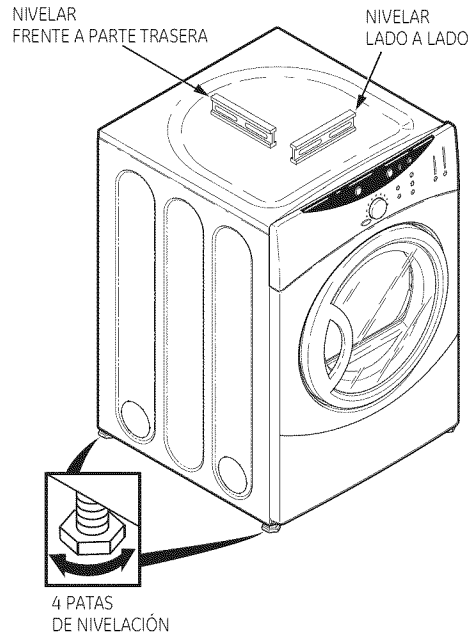
Para un mejor desempeño de secado:

1. Deslice un extremo del conducto sobre la tubería de salida de la secadora de ropa.
2. Fije el conducto con una abrazadera.
3. Con la secadora en su posición permanente, extienda el conducto en su longitud total. Deje que se superpongan 2" de conducto con la tubería de salida. Corte y quite el tramo de conducto que sobre. Mantenga el conducto lo más recto posible para lograr una corriente de aire máxima.
4. Fije el conducto a la tubería de salida con la otra abrazadera.



8 CÓMO NIVELAR Y ESTABILIZAR SU SECADORA

Coloque la secadora en posición vertical cerca de la ubicación definitiva y ajuste las cuatro patas de nivelación, en los extremos, para garantizar que la secadora se encuentre nivelada de lado a lado y del frente a la parte trasera.



9 INSTALACIÓN EN NICHOS O EN CLOSET

- Su secadora puede instalarse en un nicho o closet, como se indica en la etiqueta de la parte trasera del aparato.
 - Esta secadora DEBE tener una ventilación al exterior. Ver la INFORMACIÓN SOBRE SALIDA sección 6.
 - El espacio libre mínimo entre el gabinete de la secadora y las paredes adyacentes u otras superficies es de:
 - 0 pulg. sobre ambos lados
 - 3 pulg. en el frente
 - 3 pulg. en la parte trasera
 - El espacio vertical mínimo desde el piso a los gabinetes superiores, cielorraso, etc., es de 52 pulg.
 - Las puertas del closet deben contar con rejillas u otro tipo de ventilación y deben tener por lo menos 60 pulg. cuadradas de espacio abierto igualmente distribuido. Si el closet incluye una lavadora y una secadora, las puertas deben contener un mínimo de 120 pulg. cuadradas de espacio abierto distribuido uniformemente.
 - El closet debe tener ventilación hacia el exterior para evitar la acumulación de gas en caso de que haya una pérdida de gas en la línea de suministro.
 - No deberán instalarse otros aparatos a combustible en el mismo closet con la secadora.
- NOTA: CUANDO EL CONDUCTO DE SALIDA ESTÁ UBICADO EN LA PARTE TRASERA DE LA SECADORA, EL ESPACIO LIBRE MÍNIMO DESDE LA PARED DEBE SER 5.5 PULGADAS.

Instrucciones de instalación

10 INSTALACIÓN EN BAÑOS O

DORMITORIOS

- Esta secadora DEBE tener una ventilación al exterior. Ver la INFORMACIÓN SOBRE SALIDA sección 6.
- La instalación debe cumplir con códigos locales o, si no existieran, con el CÓDIGO ELÉCTRICO NACIONAL, ANSI/NFPA N° 70.

11 INSTALACIÓN EN CASAS MÓVILES O

PREFABRICADAS

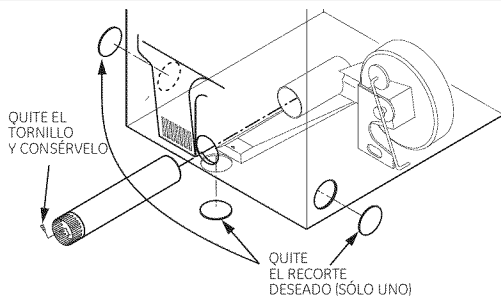
- La instalación debe cumplir con la NORMA SOBRE CONSTRUCCIÓN Y SEGURIDAD DE CASAS PREFABRICADAS, TÍTULO 24, PARTE 32-80 o, cuando dicha norma no sea aplicable, con la NORMA NACIONAL ESTADOUNIDENSE PARA CASAS MÓVILES, ANSI/NFPA N° 501B.
- La secadora DEBE tener ventilación al exterior con la terminación bien sujeta a la estructura de la casa móvil. (Ver la INFORMACIÓN SOBRE SALIDA, sección 6).
- La ventilación NO DEBE terminar debajo de una casa móvil o prefabricada.
- El material del conducto de ventilación DEBE SER METAL.
- DEBE utilizarse el KIT 14-D346-33 para conectar bien la secadora a la estructura.
- La ventilación NO DEBE conectarse a ningún otro conducto, ventilación o chimenea.
- No utilice tornillos para placas de metal u otros dispositivos de sujeción que se extiendan al interior de la ventilación de salida.
- Debe contar con una abertura con un espacio libre de por lo menos 25 pulgadas cuadradas para el ingreso de aire exterior dentro del cuarto de la secadora.

12 INSTALACIÓN EN GARAJE (SI PERMITIDO POR LOS CODIGOS LOCALES)

- Secadoras instaladas en garages deben ser elevadas 18 pulgadas (46cm) del nivel del piso.

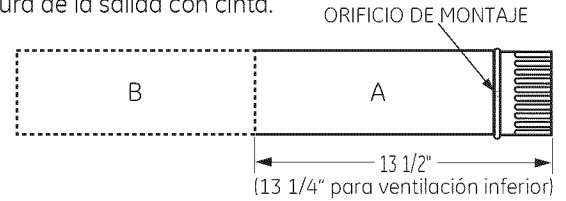
13 SALIDA DE LA SECADORA HACIA LA IZQUIERDA O PARTE INFERIOR DEL GABINETE

⚠ ADVERTENCIA - ANTES DE EFECTUAR ESTA INSTALACIÓN DE SALIDA, ASEGÚRESE DE DESCONECTAR LA SECADORA DEL SUMINISTRO ELÉCTRICO. PROTEJA SUS MANOS Y BRAZOS DE LOS LADOS AFILADOS CUANDO TRABAJE DENTRO DEL GABINETE. ASEGÚRESE DE USAR GUANTES.



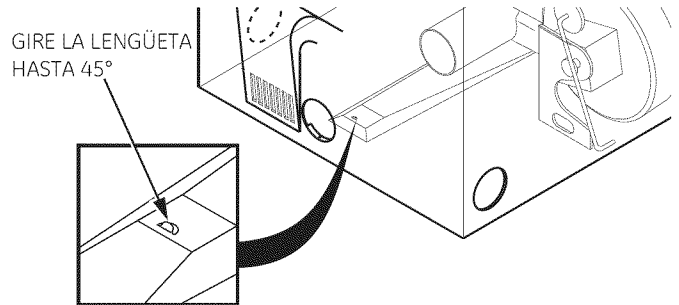
Despegue y quite el recorte inferior, derecho o izquierdo, según corresponda. Quite el tornillo ubicado dentro del conducto de salida de la secadora y consérvelo. Saque el conducto de la secadora.

Despegue y quite el recorte inferior o izquierdo, según corresponda. Quite el tornillo ubicado dentro del conducto de salida de la secadora y consérvelo. Saque el conducto de la secadora. Proteja los bordes afilados del recorte y de la abertura de la salida con cinta.



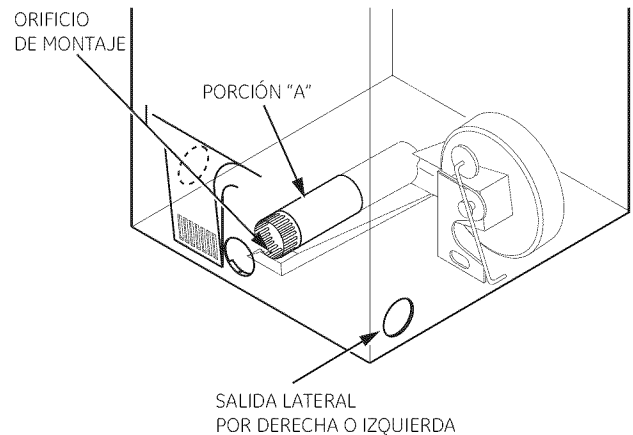
Corte el conducto como puede verse y conserve la porción A.

UBICACIÓN DE LA LENGÜETA



A través de la abertura trasera, ubique la lengüeta en el medio de la base del aparato. Levante la lengüeta hasta alrededor de 45°, utilizando un destornillador de lados planos.

CÓMO AGREGAR CONDUCTOS NUEVOS



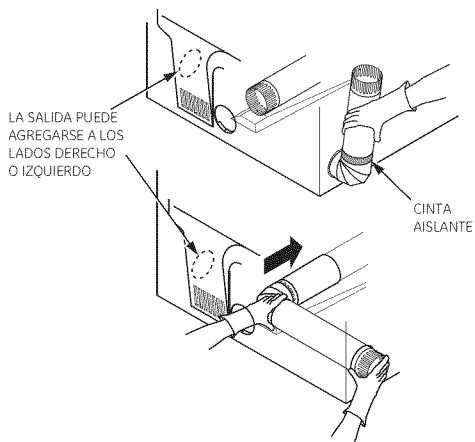
Vuelva a conectar la porción cortada (A) del conducto a la carcasa del ventilador. Asegúrese de que el conducto más corto se encuentre alineado con la lengüeta de la base. Utilice el tornillo conservado con anterioridad para sujetar el conducto en su lugar a través de la lengüeta de la base del artefacto.

Instrucciones de instalación

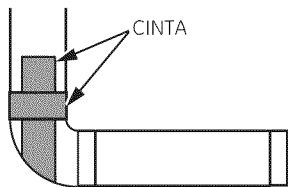
CÓMO AGREGAR CODOS Y CONDUCTOS DE SALIDA HACIA LA IZQUIERDA O DERECHA DEL GABINETE

- Arme previamente un codo de 4" con un conducto de 4". Coloque cinta aislante alrededor de la junta.
- Introduzca el montaje del conducto, el codo primero, a través de la abertura lateral y conecte el codo al conducto interno de la secadora.

PRECAUCIÓN: Asegúrese de no tirar o dañar los cables eléctricos ubicados dentro de la secadora cuando introduzca el conducto.



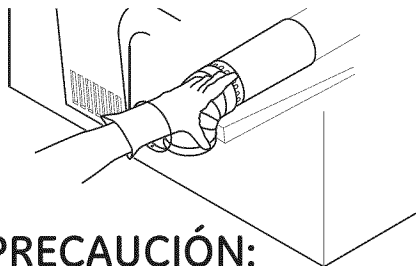
- Aplique cinta aislante como puede verse en la junta entre el conducto interno de la secadora y el codo.



PRECAUCIÓN: Utilice un conducto de metal rígido de 4" sólo dentro de la secadora. Las juntas del conducto interno deben sujetarse con cinta; caso contrario, pueden separarse y provocar un riesgo de seguridad.

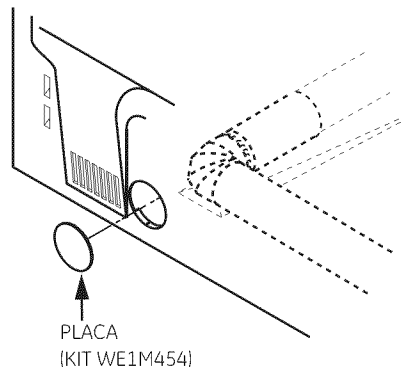
CÓMO AGREGAR UN CODITO DE SALIDA A TRAVÉS DE LA PARTE INFERIOR DEL GABINETE

- Introduzca el codo a través de la abertura trasera y conéctelo al conducto interno de la secadora.
- Aplique cinta aislante en la junta entre el conducto interno de la secadora y el codo, como puede verse abajo.



PRECAUCIÓN: Las juntas del conducto interno deben sujetarse con cinta; caso contrario, pueden separarse y provocar un riesgo de seguridad.

CÓMO AGREGAR LA PLACA DE CUBIERTA A LA PARTE TRASERA DEL GABINETE



Conecte los codos y conductos de metal estándar para completar el sistema de salida. Cubra la abertura trasera con la placa (Kit WE1M454), disponible en su proveedor de servicios local. Coloque la secadora en su ubicación final.

ADVERTENCIA -NUNCA DEJE LA ABERTURA TRASERA SIN LA PLACA EN SU LUGAR.

REGISTRE SU NUEVO APARATO PARA RECIBIR LAS NOTIFICACIONES DE PRODUCTOS IMPORTANTES.

Por favor vaya a www.GEAppliances.com o enviar por correo su tarjeta de inscripción.

Para preguntas sobre la instalación, llame al: 800.626.2000 (EE.UU.) o 800-561-3344 (Canadá).