

Installation Instructions

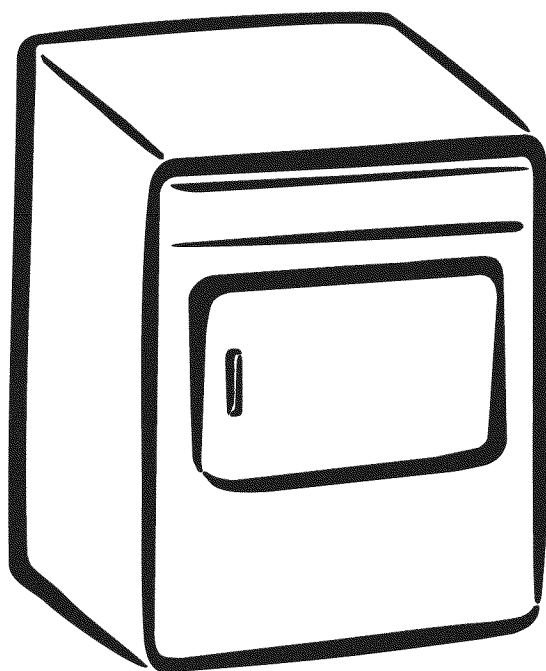
Gas & Electric Dryer

Instructions d'Installation

Sécheuse à Gaz ou Électrique

Instrucciones para la instalación

Secadora a Gas y Eléctrica



CONTENTS

Pre-Installation Requirements.....	2
Electrical Requirements.....	3
Gas Supply Requirements.....	3
Exhaust System Requirements.....	3-5
Location of Your Dryer.....	5
Rough-In Dimensions.....	6
Unpacking	7
General Installation.....	7
Replacement Parts.....	7
Mobile Home Installation.....	8
Reversing Door Swing.....	8
Electrical Installation.....	9
Grounding Requirements.....	9
Gas Connection.....	9
Electrical Connections—3-wire.....	10
Electrical Connections—4-wire.....	10
Français.....	11-19
Español.....	20-28

SAFETY INSTRUCTIONS

Clothes dryer installation and service must be performed by a qualified installer, service agency or the gas supplier. Install the clothes dryer according to the manufacturer's instructions and local codes.

Before beginning installation, carefully read these instructions. This will simplify the installation and ensure the dryer is installed correctly and safely. Leave these instructions near the Dryer after installation for future reference.

NOTE: The electrical service to the Dryer must conform with local codes and ordinances and the latest edition of the National Electrical Code, ANSI/NFPA 70, or in Canada, the Canadian electrical code C22.1 part 1.

NOTE: The gas service to the Dryer must conform with local codes and ordinances and the latest edition of the National Fuel Gas Code ANSI Z223.1, or in Canada, CAN/ACG B149.1-2000

NOTE: The Dryer is designed under ANSI Z 21.5.1 or ANSI/UL 2158 - CAN/CSA C22.2 No. 112 (latest editions) for **HOME USE only**. This Dryer is not recommended for commercial applications such as restaurants or beauty salons, etc.

Your safety and the safety of others is very important.

We have provided many important safety messages in the Use & Care Guide, Operating Instructions, Installation Instructions and on your appliance. Always read and obey all safety messages.



This is the safety alert symbol. This symbol alerts you to hazards that can kill or hurt you or others. All safety messages will be preceded by the safety alert symbol and the word "**DANGER**" or "**WARNING**". These words mean:



DANGER You will be killed or seriously injured if you don't follow instructions.



WARNING You can be killed or seriously injured if you don't follow instructions.

All safety messages will identify the hazard, tell you how to reduce the chance of injury, and tell you what can happen if the instructions are not followed.



WARNING RISK OF FIRE. For your safety the information in this manual must be followed to minimize the risk of fire or explosion or to prevent property damage, personal injury or loss of life. **SAVE THESE INSTRUCTIONS.**

- Do not store or use gasoline or other flammable vapors and liquid in the vicinity of this or any other appliance.

- WHAT TO DO IF YOU SMELL GAS

- Do not try to light any appliance.
- Do not touch any electrical switch; do not use any phone in your building.
- Clear the room, building or area of all occupants.
- Immediately call your gas supplier from a neighbor's phone. Follow the gas supplier's instructions.
- If you cannot reach your gas supplier, call the fire department.

Installation and service must be performed by a qualified installer, service agency or the gas supplier.

PRE-INSTALLATION REQUIREMENTS

Tools and Materials Required for Installation:

1. Phillips head screwdriver.
2. Channel-lock adjustable pliers.
3. Carpenter's level.
4. Flat or straight blade screwdriver.
5. Duct tape.
6. Rigid or flexible metal 4 inch (10.2 cm) duct.
7. Vent hood.
8. Pipe thread sealer (Gas).
9. Plastic knife.

ELECTRICAL REQUIREMENTS

ELECTRIC Dryer

CIRCUIT - Individual 30 amp. branch circuit fused with 30 amp. time delay fuses or circuit breakers.

Use separately fused circuits for washers and dryers, and **DO NOT** operate a washer and a dryer on the same circuit.

POWER SUPPLY - 3 wire or 4-wire, 240 volt, single phase, 60 Hz, Alternating Current.

POWER SUPPLY CORD KIT - 3 wire - the dryer **MUST** employ a 3-conductor power supply cord NEMA 10-30 type SRDT rated at 240 volt AC minimum, 30 amp., with 3 open end spade lug connectors with upturned ends or closed loop connectors and marked for use with clothes dryers. See ELECTRICAL CONNECTIONS FOR A 3-WIRE SYSTEM.

4 wire - The dryer **MUST** employ a 4-conductor power supply cord NEMA 14-30 type SRDT or ST (as required) rated at 240 volt AC minimum, 30 amp., with 4 open end spade lug connectors with upturned ends or closed loop connectors and marked for use with clothes dryers. See ELECTRICAL CONNECTIONS FOR A 4-WIRE SYSTEM.

(Canada - 4-wire power supply cord is installed on dryer.)

WARNING – Risk of Shock. Appliance grounded to neutral conductor through a link. Grounding through the neutral link is prohibited for (1) New branch circuit installations (2) mobile homes; (3) recreational vehicles; and (4) areas where local codes do not permit grounding through the neutral, (1) disconnect the link from the neutral, (2) use grounding terminal or lead to ground appliance in accordance with local codes and (3) connect neutral terminal or lead to branch circuit neutral in usual manner (if the appliance is to be connected by means of a cord kit, use 4-conductor cord for this purpose). USE COPPER CONDUCTOR ONLY.

OUTLET RECEPTACLE - NEMA 10-30R receptacle to be located so the power supply cord is accessible when the dryer is in the installed position. (Canada - NEMA 14-30R receptacle.)



NEMA 10-30R



NEMA 14-30R

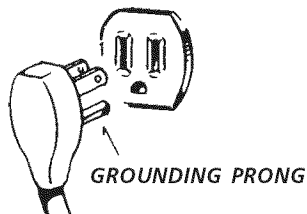
GAS Dryer

CIRCUIT - Individual 15 amp. branch circuit fused with a 15 amp. maximum time delay fuse or circuit breaker.

POWER SUPPLY - 3 wire, 120 volt single phase, 60 Hz, Alternating Current.

POWER SUPPLY CORD - The dryer is equipped with a 120 volt 3-wire power cord.

NOTE: Do not under any circumstances remove grounding prong from plug.



GAS SUPPLY REQUIREMENTS

WARNING Replace copper connecting pipe that is not plastic-coated. Stainless steel or plastic-coated brass **MUST** be used.

1. Installation **MUST** conform with local codes, or in the absence of local codes, with the National Fuel Gas Code, ANSI Z223.1 (latest edition).
2. The gas supply line should be of 1/2 inch (1.27 cm) pipe.
3. If codes allow, flexible metal tubing may be used to connect your dryer to the gas supply line. The tubing **MUST** be constructed of stainless steel or plastic-coated brass.
4. The gas supply line **MUST** have an individual shutoff valve.
5. A 1/8 inch (0.32 cm) N.P.T. plugged tapping, accessible for test gauge connection, **MUST** be installed immediately upstream of the gas supply connection to the dryer.
6. The dryer **MUST** be disconnected from the gas supply piping system during any pressure testing of the gas supply piping system at test pressures in excess of 1/2 psig (3.45 kPa).
7. The dryer **MUST** be isolated from the gas supply piping system during any pressure testing of the gas supply piping system at test pressures equal to or less than 1/2 psig (3.45 kPa).

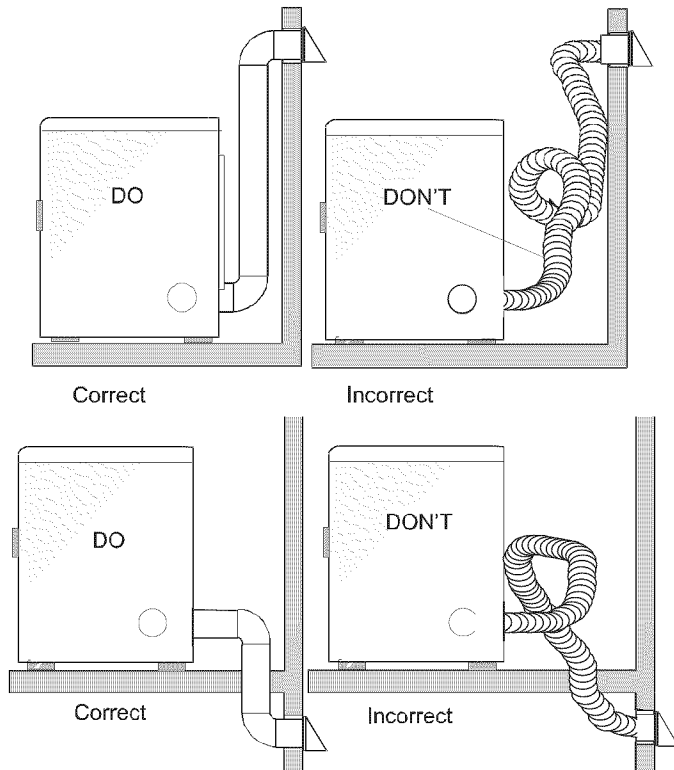
EXHAUST SYSTEM REQUIREMENTS

Use only 4 inch (10.2 cm) diameter (minimum) rigid or flexible **metal** duct and approved vent hood which has a swing-out damper(s) that open when the dryer is in operation. When the dryer stops, the dampers automatically close to prevent drafts and the entrance of insects and rodents. To avoid restricting the outlet, maintain a minimum of 12 inches (30.5 cm) clearance between the vent hood and the ground or any other obstruction.

WARNING The following are specific requirements for proper and safe operation of your dryer. Failure to follow these instructions can create excessive drying times and fire hazards.

WARNING Do not install a clothes dryer with flexible plastic venting materials. If your present system is made up of plastic duct or metal foil duct, **replace it** with a rigid or semi-rigid metal duct. In Canada and the United States if metal (foil type) duct is installed, it must be of a specific type identified by the appliance manufacturer as suitable for use with clothes dryers and in the United States must also comply with the Outline for Clothes Dryer Transition Duct, UL standard 2158A. Flexible venting materials are known to collapse, be easily crushed and trap lint. These conditions will obstruct clothes dryer airflow and increase the **risk of fire**. **Ensure the present duct is free of any lint prior to installing dryer duct.**

⚠ WARNING - Risk of Fire - A clothes dryer must be exhausted outdoors. Do not exhaust dryer into a chimney, a wall, a ceiling, an attic, a crawl space or any concealed space of a building. A clothes dryer produces combustible lint. If the dryer is not exhausted outdoors, some fine lint will be expelled into the laundry area. An accumulation of lint in any area of the home can create a health and fire hazard. **The dryer must be connected to an exhaust outdoors.** Regularly inspect the outdoor exhaust opening and remove any accumulation of lint around the outdoor exhaust opening and in the surrounding area.

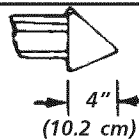
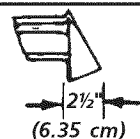


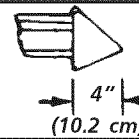
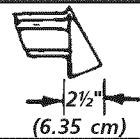
⚠ WARNING Do not allow combustible materials (for example: clothing, draperies/curtains, paper) to come in contact with exhaust system. The dryer **MUST NOT** be exhausted into a chimney, a wall, a ceiling, or any concealed space of a building which can accumulate lint, resulting in a fire hazard.

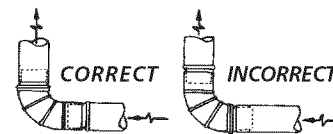
⚠ WARNING Exceeding the length of duct pipe or number of elbows allowed in the "MAXIMUM LENGTH" charts can cause an accumulation of lint in the exhaust system. Plugging the system could create a fire hazard, as well as increase drying times.

⚠ WARNING Do not screen the exhaust ends of the vent system, nor use any screws, rivets or other fastening means that extend into the duct and catch lint to assemble the exhaust system. Lint can become caught in the screen, on the screws or rivets, clogging the duct work and creating a fire hazard as well as increasing drying times. Use an approved vent hood to terminate the duct outdoors, and seal all joints with duct tape. All male duct pipe fittings **MUST** be installed downstream with the flow of air.

⚠ WARNING Explosion hazard. Do not install the dryer where gasoline or other flammables are kept or stored. If the dryer is installed in a garage, it must be a minimum of 18 inches (45.7 cm) above the floor. Failure to do so can result in death, explosion, fire or burns.

		MAXIMUM LENGTH of 4" (10.2 cm) Dia. Rigid Metal Duct		
		VENT HOOD TYPE		
		(Preferred)		
Number of 90° Turns			Louvered	
		4" (10.2 cm)		2½" (6.35 cm)
0		60 ft. (18.28 m)		48 ft. (14.63 m)
1		52 ft. (15.84 m)		40 ft. (12.19 m)
2		44 ft. (13.41 m)		32 ft. (9.75 m)
3		32 ft. (9.75 m)		24 ft. (7.31 m)
4		28 ft. (8.53 m)		16 ft. (4.87 m)

		MAXIMUM LENGTH of 4" (10.2 cm) Dia. Flexible Metal Duct		
		VENT HOOD TYPE		
		(Preferred)		
Number of 90° Turns			Louvered	
		4" (10.2 cm)		2½" (6.35 cm)
0		30 ft. (9.14 m)		18 ft. (5.49 m)
1		22 ft. (6.71 m)		14 ft. (4.27 m)
2		14 ft. (4.27 m)		10 ft. (3.05 m)
3		NOT RECOMMENDED		



INSTALL MALE FITTINGS IN CORRECT DIRECTION

In installations where the exhaust system is not described in the charts, the following method must be used to determine if the exhaust system is acceptable:

1. Connect an inclined or digital manometer between the dryer and the point the exhaust connects to the dryer.
2. Set the dryer timer and temperature to air fluff (cool down) and start the dryer.
3. Read the measurement on the manometer.
4. The system back pressure **MUST NOT** be higher than 0.75 inches of water column. If the system back pressure is less than 0.75 inches of water column, the system is acceptable. If the manometer reading is higher than 0.75 inches of water column, the system is too restrictive and the installation is unacceptable.

Although vertical orientation of the exhaust system is acceptable, certain extenuating circumstances could affect the performance of the dryer:

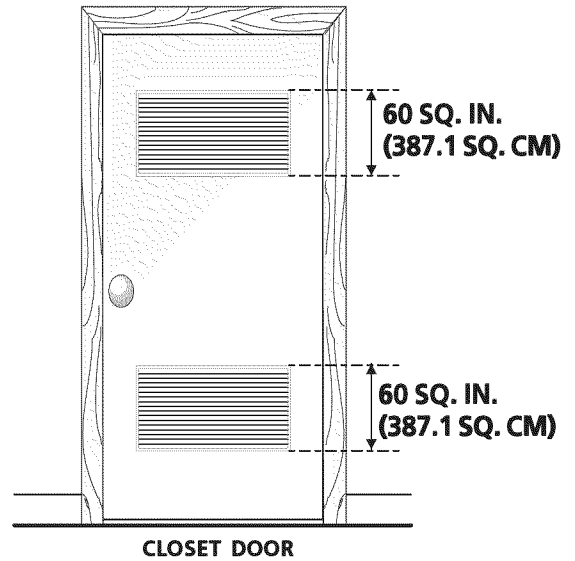
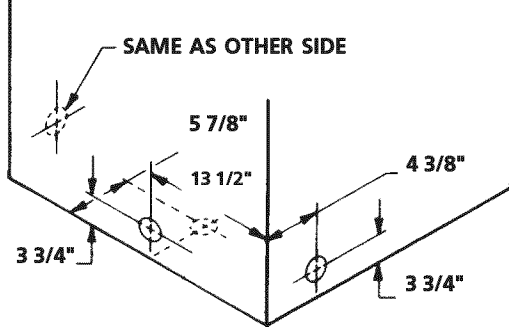
- Only the rigid metal duct work should be used.
- Venting vertical through a roof may expose the exhaust system to down drafts causing an increase in vent restriction.
- Running the exhaust system through an uninsulated area may cause condensation and faster accumulation of lint.
- Compression or crimping of the exhaust system will cause an increase in vent restriction.

The exhaust system should be inspected and cleaned a minimum of **every 18 months** with normal usage. The more the dryer is used, the more often you should check the exhaust system and vent hood for proper operation.

EXHAUST DIRECTION

All dryers shipped from the factory are set up for rear exhausting. However, on electric dryers, exhausting can be to the right or left side of the cabinet or the bottom of the dryer. On gas dryers, exhausting can be to the right side of the cabinet or the bottom of the dryer. Directional exhausting can be accomplished by installing Exhaust Kit, P/N 131456800, available through your parts distributor. Follow the instructions supplied with the kit.

EXHAUST DUCT LOCATING DIMENSIONS



LOCATION OF YOUR DRYER

DO NOT INSTALL YOUR DRYER:

1. In an area exposed to dripping water or outside weather conditions.
2. In an area where it will come in contact with curtains, drapes, or anything that will obstruct the flow of combustion and ventilation air.
3. On carpet. Floor **MUST** be solid with a maximum slope of 1 inch (2.54 cm).

INSTALLATION IN RECESS OR CLOSET

1. A dryer installed in a bedroom, bathroom, recess or closet, **MUST** be exhausted outdoors.
2. No other fuel burning appliance shall be installed in the same closet as the Gas dryer.
3. Your dryer needs the space around it for proper ventilation.

DO NOT install your dryer in a closet with a solid door.

4. A minimum of 120 square inches (774.2 square cm) of opening, equally divided at the top and bottom of the door, is required. Air openings are required to be unobstructed when a door is installed. A louvered door with equivalent air openings for the full length of the door is acceptable.

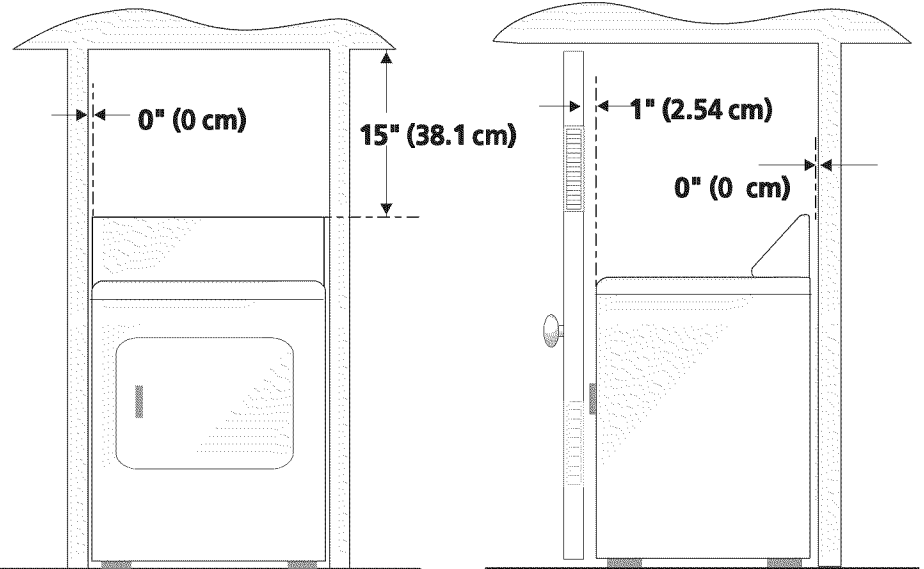
MINIMUM INSTALLATION CLEARANCES - Inches (cm)

	SIDES	REAR	TOP FRONT
Alcove	0 (0 cm)	0 (0 cm)	
Closet	0 (0 cm)	0 (0 cm)	1 (2.54 cm)

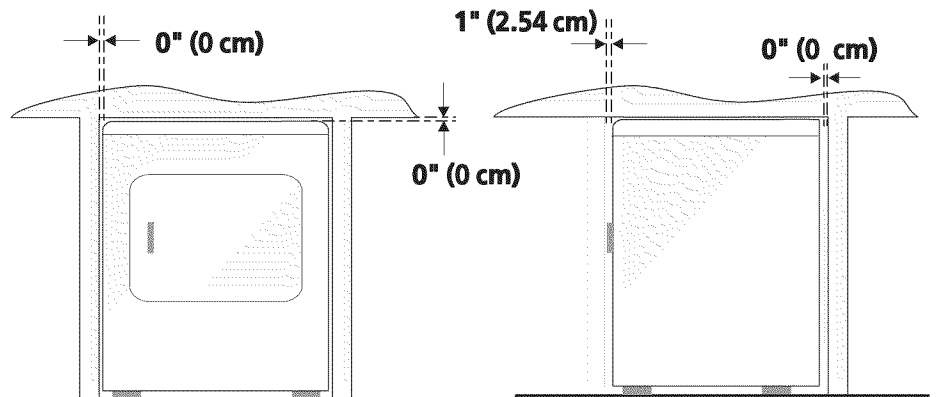
Closet door ventilation required: 2 louvered openings each 60 square inches (387 square centimeters) — 3 inches (7.6 cm) from bottom and top of door.

This dryer **MUST** be exhausted outdoors.

5. The following illustrations show minimum clearance dimensions for proper operation in a recess or closet installation.



NOTE: Under counter and stack models - 0 inches (0 cm) for sides, rear, and top.

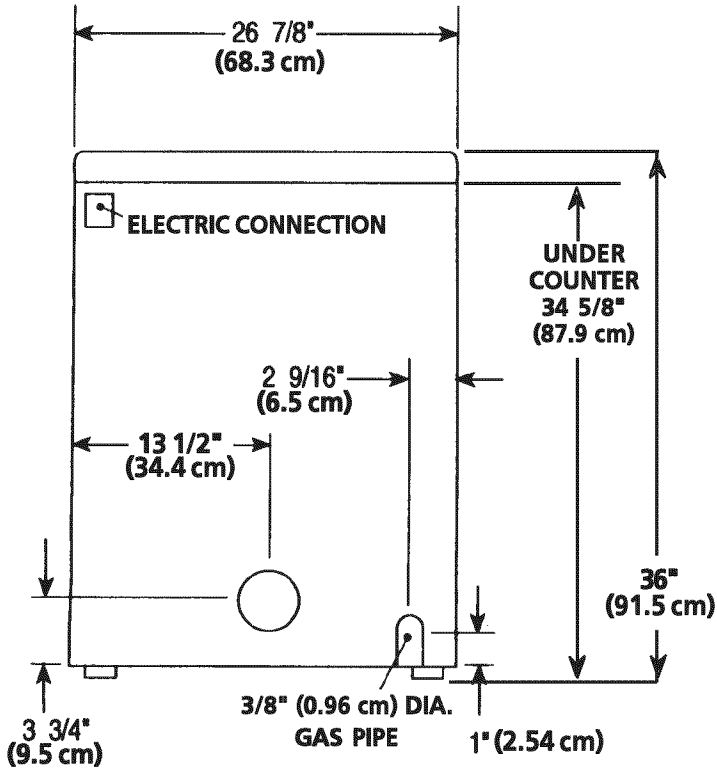


UNDER COUNTER INSTALLATION

If an under counter* installation is desired, the dryer **MUST** have a top sheet kit installed, P/N 131629100. Kit is available from an authorized parts distributor.

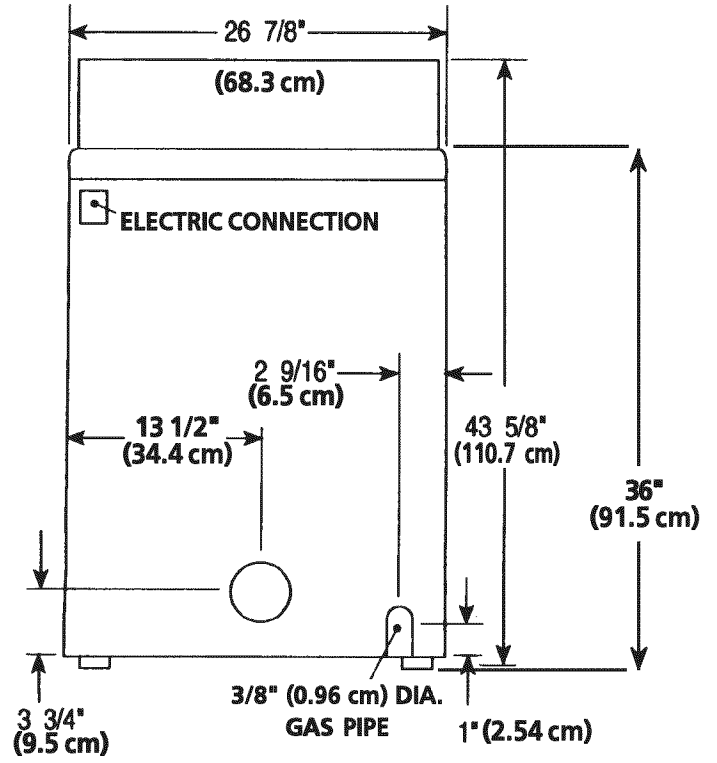
*Custom-sized countertop is required.

**UNDER COUNTER & STACK MODELS
ROUGH-IN DIMENSIONS**

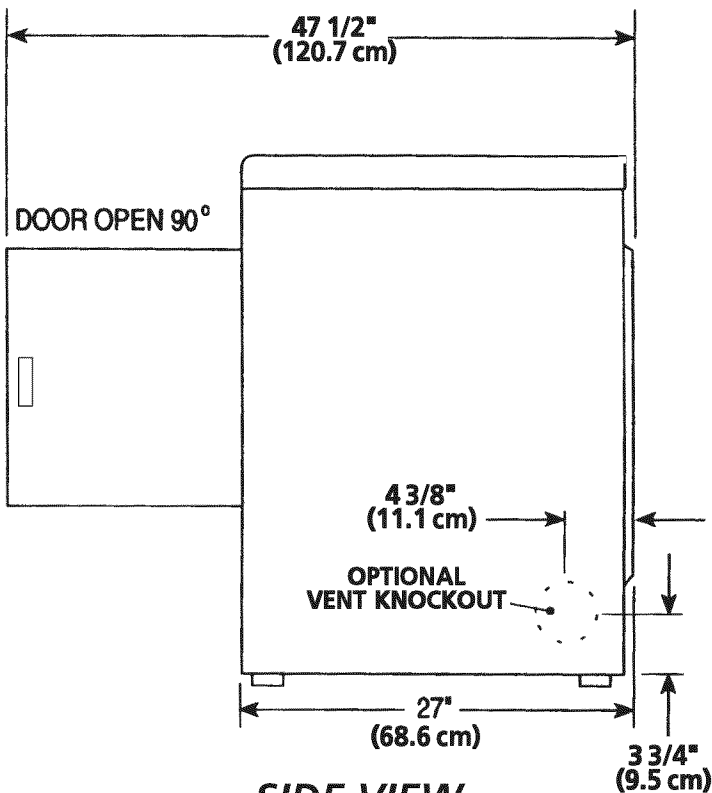


REAR VIEW

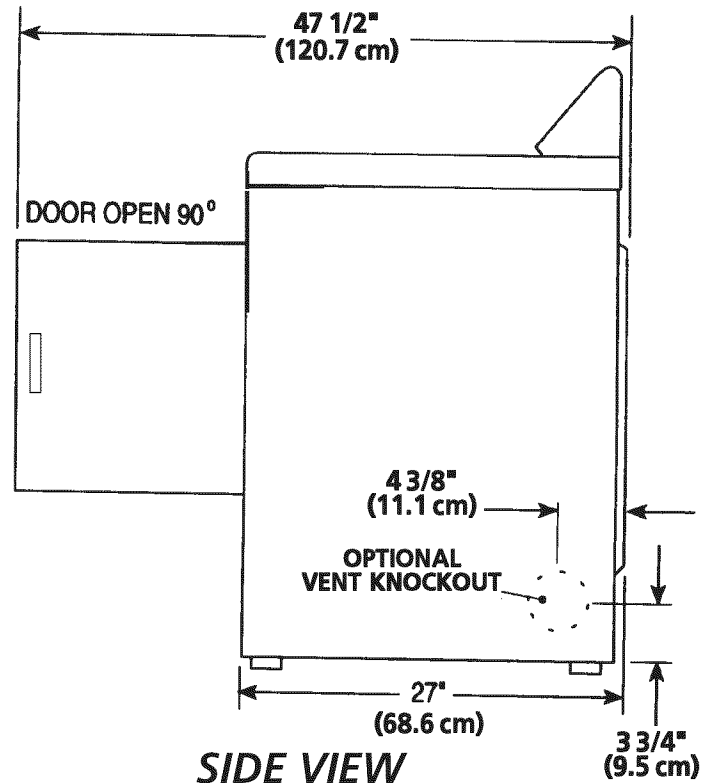
**TOP CONSOLE MODELS
ROUGH-IN DIMENSIONS**



REAR VIEW



SIDE VIEW



SIDE VIEW

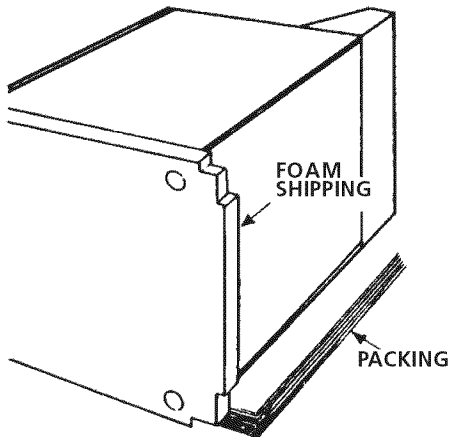
UNPACKING

1. Using the four shipping carton corner posts (two on each side), carefully lay the dryer on its left side and remove foam shipping base.

CAUTION To prevent damage, do not use the control panel as a means to pick up or move the dryer.

NOTE: On under counter model clothes dryers, the top panel may be removed for installation.

2. Return the dryer to an upright position.



INSTALLATION

2. Connect the exhaust duct to outside exhaust system. Use duct tape to seal all joints.
3. With the dryer in its final position, adjust one or more of the legs until the dryer is resting solid on all four legs. Place a level on top of the dryer. **THE DRYER MUST BE LEVEL AND RESTING SOLID ON ALL FOUR LEGS.**
4. Plug the power cord into a grounded outlet.

NOTE: Check to ensure the power is off at circuit breaker/fuse box before plugging the power cord into the outlet.

5. Turn on the power at the circuit breaker/fuse box.

CAUTION Before operating the dryer, make sure the dryer area is clear and free from combustible materials, gasoline, and other flammable vapors. Also see that nothing (such as boxes, clothing, etc.) obstructs the flow of combustion and ventilation air.

6. Run the dryer through a cycle check for proper operation.

NOTE: On gas dryers, before the burner will light, it is necessary for the gas line to be bled of air. If the burner does not light within 45 seconds the first time the dryer is turned on, the safety switch will shut the burner off. If this happens, turn the timer to "OFF" and wait 5 minutes before making another attempt to light.

7. If your dryer does not operate, please review the "Avoid Service Checklist" located in your Owner's Guide before calling for service.

8. Place these instructions in a location near the dryer for future reference.

9. To stack your dryer on a compatible washer call your local dealer to find your local distributor to purchase a stacking kit accessory part number 5303937141.

NOTE: A wiring diagram is located inside the dryer console or behind the right side panel.

REPLACEMENT PARTS

If replacement parts are needed for your dryer, contact the source where you purchased your dryer.

CAUTION Label all wires prior to disconnection when servicing controls. Wiring errors can cause improper and dangerous operation. Verify proper operation after servicing.

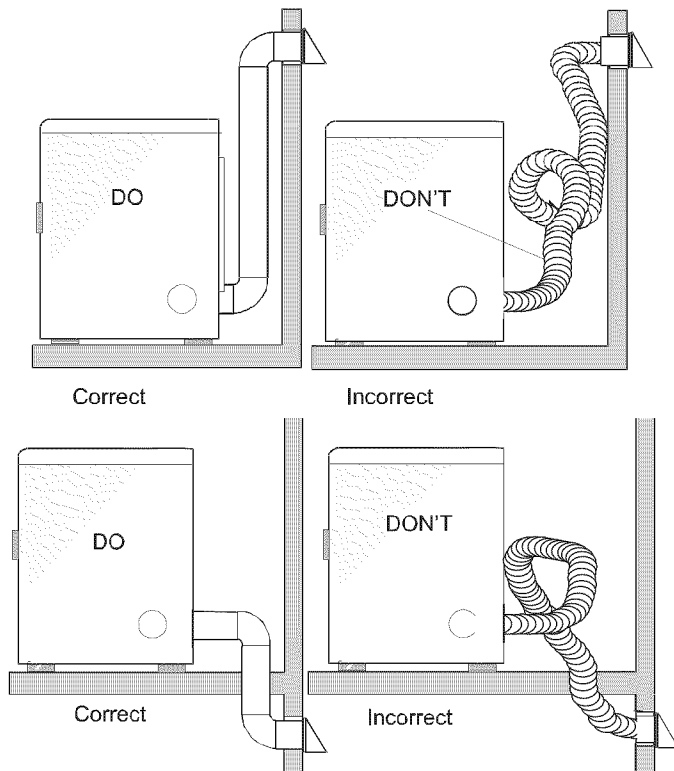
WARNING Destroy the carton and plastic bags after the dryer is unpacked. Children might use them for play. Cartons covered with rugs, bedspreads, or plastic sheets can become airtight chambers causing suffocation. Place all materials in a garbage container or make materials inaccessible to children.

WARNING The instructions in this manual and all other literature included with this dryer are not meant to cover every possible condition and situation that may occur. Good safe practice and caution **MUST** be applied when installing, operating and maintaining any appliance.

MOBILE HOME INSTALLATION

1. Dryer **MUST** be exhausted outside (outdoors, not beneath the mobile home) using metal ducting that will not support combustion. Metal ducting must be 4 inches (10.16 cm) in diameter with no obstructions. Rigid metal duct is preferred.
2. If dryer is exhausted through the floor and area beneath the mobile home is enclosed, the exhaust system **MUST** terminate outside the enclosure with the termination securely fastened to the mobile home structure.
3. When installing a gas dryer into a mobile home, a provision must be made for outside make up air. This provision is to be not less than twice the area of the dryer exhaust outlet.
4. This dryer **MUST** be fastened to the floor. Mobile Home Installation Kit No. 169840 is available from your dealer.
5. Refer to pages 2 and 3 for other important venting requirements.
6. Installation **MUST** conform to current Manufactured Home Construction & Safety Standard (which is a Federal Regulation Title 24 CFR-Part 32-80) or when such standard is not applicable, with American National Standard for Mobile Homes. In Canada, the CSA Z240 is applicable.

⚠ WARNING The dryer is designed under ANSI Z 21.5.1 for **HOME USE** only.

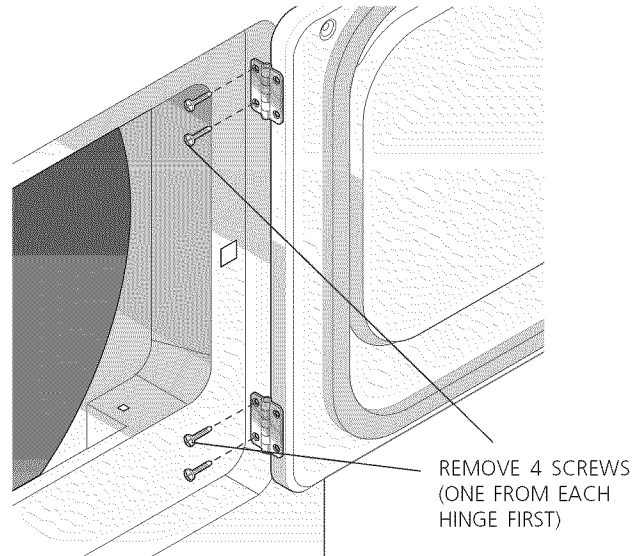


REVERSING DOOR SWING

Your dryer is designed so the door swing may be reversed at any time without additional parts. Conversion is accomplished by transferring hinges to the opposite side of the cabinet.

To change the direction of the door opening:

1. Open the dryer door. Remove the four hinge hole plugs from the left side of the door opening. Place nearby for future installation. **NOTE:** You may need a plastic knife to help pull out the plugs. Be careful not to scratch the paint.
2. Remove the four screws that secure the door hinges to the dryer front panel (see below). **NOTE:** Remove one screw from each of the two hinges first. Hold the door firmly before removing the last two screws.
3. Rotate the door 180° and reinstall the door hinges to the dryer front panel with the four screws.
4. Install the four hinge hole plugs in the open screw holes on the right side of the door opening.



ELECTRICAL INSTALLATION

ALL ELECTRIC Dryers

⚠ WARNING *The following are specific requirements for proper and safe electrical installation of your dryer. Failure to follow these instructions can create electrical shock and/or a fire hazard.*

⚠ This appliance **MUST** be properly grounded. Electrical shock can result if the dryer is not properly grounded. Follow the instructions in this manual for proper grounding.

⚠ Do not use an extension cord with this dryer. Some extension cords are not designed to withstand the amounts of electrical current this dryer utilizes and can melt, creating electrical shock and/or fire hazard. Locate the dryer within reach of the receptacle for the length power cord to be purchased, allowing some slack in the cord. Refer to the pre-installation requirements in this manual for the proper power cord to be purchased.

⚠ A U.L. approved strain relief must be installed onto power cord. If the strain relief is not attached, the cord can be pulled out of the dryer and can be cut by any movement of the cord, resulting in electrical shock.

⚠ Do not use an aluminum wired receptacle with a copper wired power cord and plug (or vice versa). A chemical reaction occurs between copper and aluminum and can cause electrical shorts. **The proper wiring and receptacle is a copper wired power cord with a copper wired receptacle.**

NOTE: Dryers operating on 208 volt power supply will have longer drying times than operating on 240 volt power supply.

GROUNDING REQUIREMENTS

Non-Canadian ELECTRIC Dryer

⚠ DANGER Improper connection of the equipment grounding conductor can result in a risk of electrical shock. Check with a licensed electrician if you are in doubt as to whether the appliance is properly grounded.

For a grounded, cord-connected dryer:

1. The dryer **MUST** be grounded. In the event of a malfunction or breakdown, grounding will reduce the risk of electrical shock by a path of least resistance for electrical current.
2. If your dryer is equipped with a power supply cord having an equipment-grounding conductor and a grounding plug, the plug **MUST** be plugged into an appropriate, copper wired receptacle that is properly installed and grounded in accordance with all local codes and ordinances. If in doubt, call a licensed electrician. **Do not modify plug provided with the appliance.**

For a permanently connected dryer:

1. The dryer **MUST** be connected to a grounded metal, permanent wiring system; or an equipment grounding conductor must be run with the circuit conductors and connected to the equipment-grounding terminal or lead on the appliance.

Canadian ELECTRIC Dryer

⚠ DANGER Improper connection of the equipment grounding conductor can result in a risk of electrical shock. Check with a licensed electrician if you are in doubt as to whether the appliance is properly grounded.

For a grounded, cord-connected dryer:

1. The dryer must be grounded. In the event of a malfunction or breakdown, grounding will reduce the risk of electrical shock by a path of least resistance for electrical current.
2. Since your dryer is equipped with a power supply cord having an equipment-grounding conductor and a grounding plug, the plug must be plugged into an appropriate outlet that is properly installed and grounded in accordance with all local codes and ordinances. If in doubt, call a licensed electrician. **Do not modify plug provided with the appliance.**

ALL GAS Dryers

1. The dryer is equipped with a three-prong (grounding) plug for your protection against shock hazard and should be plugged directly into a properly grounded three-prong receptacle. Do not cut or remove the grounding prong from the plug.

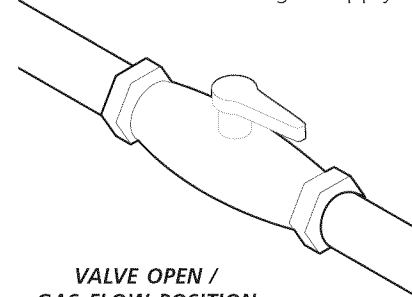
GAS CONNECTION (Gas dryers only)

Remove the shipping cap from gas pipe at the rear of the dryer.

NOTE: DO NOT connect the dryer to L.P. gas service without converting the gas valve. An L.P. conversion kit must be installed by a qualified gas technician.

Connect a 1/2 inch (1.27 cm) I.D. semi-rigid or approved pipe from gas supply line to the 3/8 inch (0.96 cm) pipe located on the back of the dryer. Use a 1/2 inch to 3/8 inch (1.27 cm to 0.96 cm) reducer for a connection. Apply an approved thread sealer that is resistant to the corrosive action of liquefied gases on all pipe connections.

Open the shutoff valve in the gas supply line.



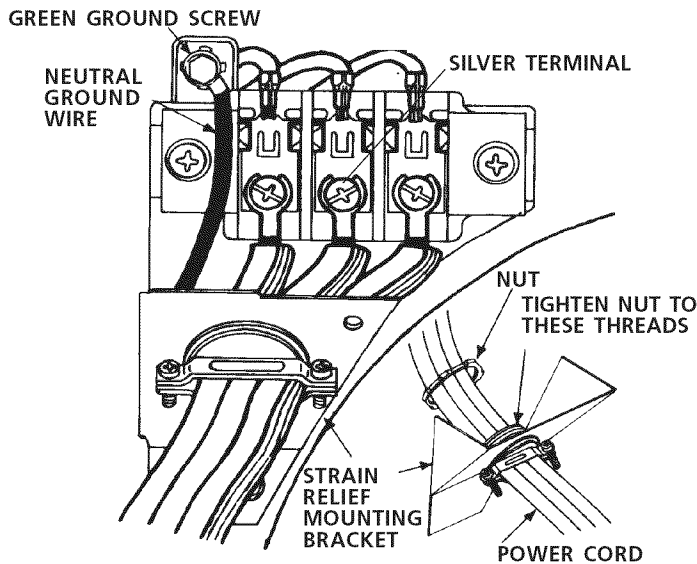
Test all connections by brushing on a soapy water solution.

NEVER TEST FOR GAS LEAKS WITH AN OPEN FLAME.

ELECTRICAL CONNECTIONS FOR 3-WIRE SYSTEM

Non-Canadian *ELECTRIC* Dryer

1. Remove the screws securing the terminal block access cover and the strain relief mounting bracket located on the back of the dryer upper corner.
2. Install a U.L. approved strain relief into the power cord entry hole of the mounting bracket. Finger tighten the nut only at this time.



3. Thread a U.L. approved 30 amp. power cord, NEMA 10-30 Type SRDT, through the strain relief.
4. Attach the power cord neutral (center wire) conductor to the silver colored center terminal on the terminal block. Tighten the screw securely.
5. Attach the remaining two power cord outer conductors to the outer brass colored terminals on the terminal block. Tighten both screws securely.

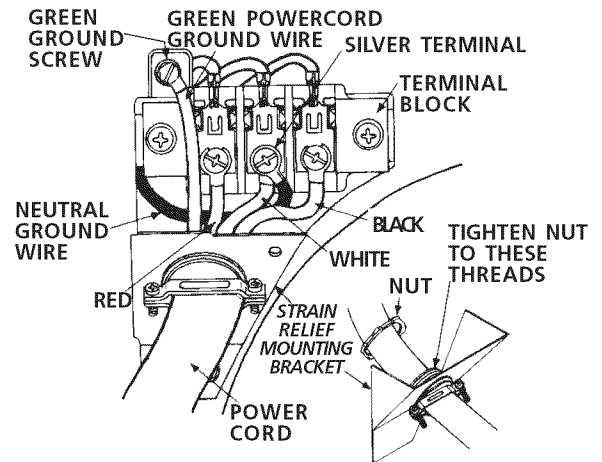
⚠ WARNING Do not make a sharp bend or crimp wiring/conductor at connections.

6. Reattach the strain relief mounting bracket to the back of the dryer with two screws. Tighten screws securely.
7. Tighten the screws securing the cord restraint firmly against the power cord.
8. Tighten the strain relief nut securely so that the strain relief does not turn.
9. Reinstall the terminal block cover.

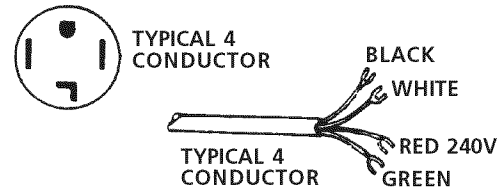
ELECTRICAL CONNECTIONS FOR 4-WIRE SYSTEM

Non-Canadian *ELECTRIC* Dryer

1. Remove the screws securing the terminal block access cover and the strain relief mounting bracket located on the back of the dryer upper corner.
2. Install a U.L. approved strain relief in the entry hole of the mounting bracket. Finger tighten the nut only at this time.



3. Remove the ground wire from the green ground screw located above the terminal block.



30 AMP NEMA 14-30 TYPE SRDT OR

4. Thread a U.L. approved 30 amp power cord, NEMA 14-30 type ST or SRDT through the strain relief.
5. Attach the green power cord ground wire to the cabinet with the green ground screw.
6. Attach the white (neutral) power cord conductor from the power cord and the neutral ground wire from the dryer harness to the silver-colored center terminal on the terminal block. Tighten the screw securely.
7. Attach the red and black power cord conductors to the outer brass-colored terminals on the terminal block.

⚠ WARNING Do not make a sharp bend or crimp wiring/conductor at the connections.

8. Tighten the screws securing the cord restraint firmly against the power cord.
9. Tighten the strain relief nut securely so the strain relief does not turn.
10. Reinstall the terminal block access cover.

Table des matières

Avant l'installation.....	11
Installation électrique.....	12
Alimentation en gaz.....	12
Évacuation de l'air.....	12-14
Emplacement de la sècheuse.....	14
Dimensions de l'emplacement.....	15
Déballage.....	16
Installation.....	16
Pièces de rechange.....	16
Installation dans une maison mobile.....	17
Porte Réversible.....	17
Installation électrique.....	18
Mise à la terre.....	18
Branchement du Gaz.....	18
Branchement électrique - Installation à 3 fils.....	19
Branchement électrique - Installation à 4 fils.....	19

Mesures de Sécurité Importantes

L'installation et le service de la Sècheuse de vêtements doivent être effectués par un installateur qualifié, l'agence de service ou le fournisseur de gaz. Installez la Sècheuse de vêtement selon les instructions du fabricant et les codes locaux. Avant de commencer, lire attentivement le présent document. Cela simplifiera l'installation et assurera la pose correcte et sécuritaire de la sècheuse. Après l'installation, laisser ce document à proximité de la sècheuse pour référence future.

REMARQUE : L'alimentation électrique de la sècheuse doit respecter les codes et ordonnances locaux ainsi que l'édition la plus récente du Code ANSI/NFPA 70, ou au Canada, le Code canadien d'électricité, ACNOR C22.1, partie 1.

REMARQUE : L'alimentation en gaz de la sècheuse doit respecter les codes et ordonnances locaux ainsi que l'édition la plus récente du Code ANSI Z223.1, ou au Canada, le code CAN/ACG B149.1-2000.


REMARQUE : La sècheuse est conçue conformément au code ANSI Z21.5.1 ou ANSI/UL 2158 - CAN/ACG C22.2 No. 112 (l'édition la plus récente) pour un USAGE DOMESTIQUE seulement. Cette sècheuse n'est pas recommandée pour utilisation commerciale, comme par exemple un restaurant ou un salon de coiffure, etc.

Votre sécurité et celle des autres est très importante.


Nous donnons de nombreux messages de sécurité importants dans ce manuel et sur votre appareil ménager. Assurez-vous de toujours lire tous les messages de sécurité et de vous y conformer.

 Voici le symbole de mise en garde. Ce symbole met en garde contre les risques pouvant entraîner le décès ou des blessures à soi ou aux autres. Tous les messages relatifs à la sécurité sont précédés du symbole de mise en garde et du terme « DANGER » ou « AVERTISSEMENT ». Ces termes signifient :

 **DANGER** L'utilisateur sera tué gravement blessé s'il ne suit pas ces directives.

 **AVERTISSEMENT** L'utilisateur peut être tué ou gravement blessé s'il ne suit pas ces directives.

Tous les messages relatifs à la sécurité indiquent le risque, comment réduire le risque de blessure et ce qui peut survenir si on ne suit pas les directives.

 **AVERTISSEMENT RISQUE D'INCENDIE.** Pour votre sécurité, suivre les directives énoncées dans le présent guide afin de minimiser les risques d'incendie, d'explosion, de dommages matériels, de blessures et de mort. **GARDEZ CES INSTRUCTIONS.**

- Ne pas entreposer ni utiliser d'essence ou autres liquides ou produits inflammables à proximité de cette sècheuse ou de tout autre appareil ménager.
- **QUE FAIRE S'IL Y A UNE ODEUR DE GAZ**
 - Ne mettre en marche aucun appareil .
 - Ne toucher aucun interrupteur électrique; n'utiliser aucun téléphone dans l'immeuble.
 - Faire sortir tous les occupants de la pièce, de l'immeuble ou de la zone avoisinante.
 - Appeler la fournisseur de gaz immédiatement en utilisant le téléphone d'un voisin. Suivre les directives du fournisseur de gaz.
 - S'il est impossible de joindre le fournisseur de gaz, appeler le service de protection des incendies.

L'installation et les réparations doivent être effectuées par un service de réparation, un technicien qualifié ou le fournisseur de gaz.

AVANT L'INSTALLATION

Outils et matériel requis pour l'installation :

1. Tournevis à pointe cruciforme
2. Pince multiprise
3. Niveau de menuisier
4. Tournevis à pointe plate ou à lame droite
5. Ruban adhésif pour conduits
6. Conduite en métal rigide ou souple de 10,2 cm (4 po)
7. Bouche d'évacuation d'air
8. Ruban ou pâte d'étanchéité por joints filetés (modèle à gaz)
9. Couteau à mastic en plastique

INSTALLATION ÉLECTRIQUE

Sécheuses ÉLECTRIQUES

CIRCUIT ÉLECTRIQUE - Circuit de dérivation distinct de 30 A avec fusibles à retardement ou disjoncteurs d'au 30 A.

Utilisez des circuits avec un disjoncteur ou fusible séparé pour les machines à laver et sècheuses, et NE PAS faire fonctionner une machine à laver et une sècheuse sur un même circuit.

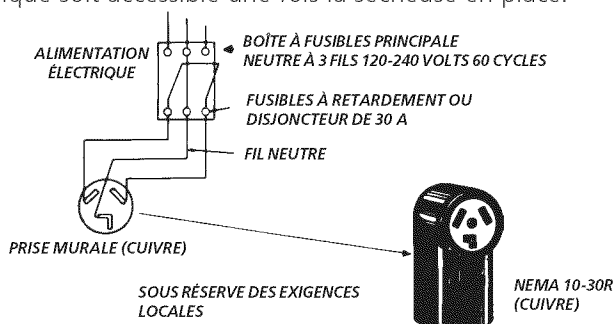
ALIMENTATION ÉLECTRIQUE - 3 fils ou 4 fils, 240 volts, une phase, 60 Hz, courant alternatif. (Canada - 240 volts, une phase, 60 Hz, courant alternatif.)

CORDON D'ALIMENTATION ÉLECTRIQUE - 3 fils - la sècheuse **DOIT** être dotée d'un cordon d'alimentation électrique à 3 fils NEMA 10-30, c.a., 30 A, de type SRDT d'une capacité minimale de 240 volts, avec fiche en L à 3 broches à extrémités ouvertes, relevées ou fermées, **OU** d'un cordon d'alimentation électrique à 4 fils NEMA 14-30, c.a., 30 A, de type SRDT ou ST (selon le cas) d'une capacité minimale de 240 volts, avec 3 connecteurs à cosse ouverte recourbée vers le haut aux extrémités ou 3 connecteurs à cosse fermée, conçus pour le raccordement d'une sècheuse.

4 fils - Elle **DOIT** être dotée d'un cordon d'alimentation à 4 fils NEMA 14-30, c.a., 30 A, de type SRDT ou ST (selon le cas) d'une capacité minimale de 240 volts, avec 4 connecteurs à cosse ouverte recourbée vers le haut aux extrémités ou 4 connecteurs à cosse fermée, conçus pour le branchement d'une sècheuse. Voir la section INSTALLATION ÉLECTRIQUE pour plus de détails.

AVERTISSEMENT - Risque de choc électrique. Un appareil mis à la terre à l'aide d'un lien ou câble conducteur neutre. La mise à la terre à l'aide d'un conducteur ou câble neutre est interdite dans les cas suivants : (1) les installations de nouveau circuit déviré (2) les maisons mobiles (3) les véhicules récréatifs ou caravanes et (4) les régions où les codes locaux interdisent la mise à la terre à l'aide d'un câble ou conducteur neutre. (1) Débranchez le conducteur ou câble du neutre, (2) utilisez la borne de mise à la terre ou le câble de mise à la terre de l'appareil conformément aux codes locaux et (3) connectez ou branchez la borne neutre ou le câble au neutre du circuit déviré de la manière habituelle (si l'appareil doit être connecté à l'aide d'un cordon, utilisez un cordon à 4 câbles ou fils pour ce faire). **N'UTILISEZ QUE DES CÂBLES OU FILS EN CUIVRE.**

PRISE - Prise NEMA 10-30R (3 alvéoles) ou prise NEMA 14-30R (4 alvéoles) placée de façon que le cordon d'alimentation électrique soit accessible une fois la sècheuse en place.



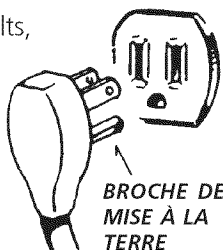
Sécheuses à GAZ

CIRCUIT - Dérivation distincte de 15 A avec fusible à retardement ou disjoncteur d'au plus 15 A.

ALIMENTATION ÉLECTRIQUE - 3 fils, 120 volts, une phase, 60 Hz, courant alternatif.

CORDON D'ALIMENTATION ÉLECTRIQUE - La sècheuse est pourvue d'un cordon d'alimentation électrique à 3 fils de 120 volts.

REMARQUE : Il ne faut en aucun cas retirer la broche de mise à la terre de la fiche.



ALIMENTATION EN GAZ

AVERTISSEMENT Remplacer le tuyau de raccordement en cuivre non revêtu de plastique. Un conduit en acier inoxydable ou en laiton revêtu de plastique **DOIT** être utilisé.

1. L'installation **DOIT** respecter les codes locaux ou, s'il n'existe pas de codes locaux, le Code d'installation des appareils et équipements fonctionnant au gaz naturel, norme ACG CAN1B149.1.

2. Le conduit d'alimentation en gaz doit mesurer 1,27 cm (1/2 po).

3. Si les codes le permettent, un tuyau en métal souple peut être utilisé pour raccorder la sècheuse au conduit d'alimentation en gaz. Le tuyau **DOIT** être en acier inoxydable ou en cuivre et revêtu de plastique.

4. Le conduit d'alimentation en gaz **DOIT** comporter une soupape d'arrêt distincte.

5. Une prise de manomètre de 0,32 cm (1/8 po) à filetage NPT **DOIT** être réalisée tout juste en amont du raccordement du conduit d'alimentation en gaz.

6. La sècheuse **DOIT** être déconnectée de la canalisation de gaz pendant toute vérification de pression de l'alimentation en gaz à des pressions d'essai excédant 3,45 kPa (1/2 lb/po²).

7. La sècheuse **DOIT** être isolée de la canalisation de gaz pendant toute vérification de pression de l'alimentation en gaz à des pressions d'essai égales ou inférieures à 3,45 kPa (1/2 lb/po²).

ÉVACUATION DE L'AIR

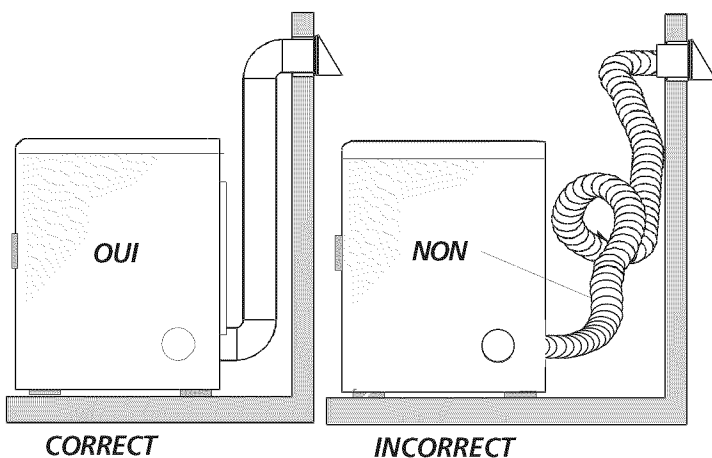
Utiliser uniquement un conduit en **métal** rigide ou souple de 10,2 cm (4 po) de diamètre (minimum) ainsi qu'une bouche d'évacuation approuvée dont les clapets s'ouvrent lorsque la sècheuse fonctionne. Quand la sècheuse s'arrête, les clapets se ferment automatiquement pour éviter les courants d'air et l'entrée d'insectes ou de rongeurs. Afin de ne pas obstruer la sortie d'air, laisser une distance minimum de 30,5 cm (12 po) entre la bouche d'évacuation et le sol ou tout autre obstacle.

AVERTISSEMENT Les directives suivantes ont été émises afin d'assurer l'installation appropriée et sécuritaire de votre sècheuse. Le défaut de respecter ces directives risque d'entraîner des chocs électriques et/ou un incendie.

AVERTISSEMENT N'installez pas la Sècheuse avec des matériels de ventilation en matières plastiques flexibles.

Si la conduite existante est en plastique ou en papier métallique, la **remplacer** par une conduite en métal rigide ou flexible. Au Canada et aux États-Unis si le conduit est de métal (type feuille d'aluminium), celui-ci doit être d'un type spécifique identifié par le fabricant, recommandé pour l'utilisation avec des Sècheuses ; et aux États-Unis il doit en outre remplir la norme UL 215A. Les matériaux de ventilation flexibles peuvent s'abîmer facilement et recueillir du duvet. Ces conditions obstrueront la circulation d'air de la Sècheuse de vêtements et augmenteront le **risque d'incendie**. **S'assurer qu'il n'y a pas de charpie dans la conduite existante avant d'installer la conduite de la sècheuse.**

⚠ – Risque d’incendie – une Sécheuse de vêtement doit être aérée à l’air libre. N’aérez pas la Sécheuse dans une cheminée, une paroi, un plafond, un espace fermé ou aucun espace caché du bâtiment. Une sécheuse à linge produit de la charpie combustible. Si l’air n’était pas repoussé à l’extérieur de la maison, de petites particules de charpie se retrouveraient dans la pièce où est installée la sécheuse. Toute accumulation de charpie dans la maison peut présenter des risques pour la santé et des risques d’incendie. **La sécheuse doit être connectée à une bouche d’évacuation vers l’extérieur du bâtiment ou de l’immeuble.** Vous devez inspecter régulièrement l’évent extérieur et enlever toute accumulation de charpie autour de l’évent et dans la cavité du conduit d’évacuation.









⚠ Ne laissez aucun matériau inflammable (comme des vêtements, des tentures, des rideaux ou du papier) entrer en contact avec le système d’évacuation.

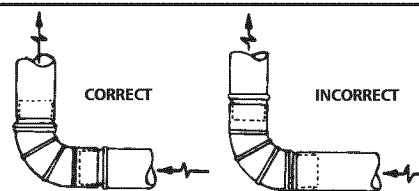
⚠ Excéder la longueur des conduits ou le nombre de coudes permis au tableau « LONGUEURS MAXIMUM » peut entraîner une accumulation de charpie dans le système d’évacuation. L’engorgement du système risque de causer un incendie et augmenter le temps de séchage.

⚠ N’obstruez pas les extrémités du tube de ventilation, ni utilisez des vis, rivets ou autres moyens de fixation qui peuvent obstruer le conduit et recueillir du duvet. L’engorgement subséquent risquerait de ralentir le temps de séchage, voire de causer un incendie. Installer une bouche d’évacuation approuvée à l’extérieur et sceller tous les joints à l’aide d’un ruban adhésif à conduits. Tous les raccords de conduit mâles **DOIVENT** être installés dans le sens de la circulation d’air.

⚠ AVERTISSEMENT Risques d’explosion. Ne pas installer la sécheuse dans une pièce renfermant de l’essence ou tout autre produit inflammable. Si la sécheuse est installée dans un garage, elle doit être à un minimum de 45,7 cm (18 po) du sol. Le défaut de respecter cette consigne risque d’entraîner un incendie ou une explosion pouvant causer des brûlures, voire la mort.

Nombre de coudes à 90°	LONGUEURS MAXIMUM d’un conduit en métal rigide de 10,2 cm (4 po) de diam.		
	TYPE DE BOUCHE D’ÉVACUATION (Recommandé)		
	 4" (10.2 cm)	 à volet	 2½" (6.35 cm)
0	60 ft. (18.28 m)		48 ft. (14.63 m)
1	52 ft. (15.84 m)		40 ft. (12.19 m)
2	44 ft. (13.41 m)		32 ft. (9.75 m)
3	32 ft. (9.75 m)		24 ft. (7.31 m)
4	28 ft. (8.53 m)		16 ft. (4.87 m)

Nombre de coudes à 90°	LONGUEURS MAXIMUM d’une conduite en métal souple de 10,2 cm (4 po) de diam.		
	TYPE DE BOUCHE D’ÉVACUATION (Recommandé)		
	 4" (10.2 cm)	 à volet	 2½" (6.35 cm)
0	30 ft. (9.14 m)		18 ft. (5.49 m)
1	22 ft. (6.71 m)		14 ft. (4.27 m)
2	14 ft. (4.27 m)		10 ft. (3.05 m)
3	NON RECOMMANDÉ		



POSER LES RACCORDS MÂLES DANS LA BONNE DIRECTION

En ce qui a trait aux systèmes d’évacuation dont l’installation n’est pas décrite ci-dessus, la méthode suivante doit être utilisée, afin de déterminer si le système d’évacuation est acceptable:

1. Installer un manomètre numérique ou à tube incliné entre la sécheuse et le point de raccordement du conduit à la sécheuse.
2. Régler la minuterie de la sécheuse et la température à « Air Fluff » (refroidissement) et démarrer la sécheuse.
3. Lire la mesure indiquée au manomètre.
4. La contre-pression **NE DOIT PAS** être supérieure à 0,75 pouce de colonne d’eau. Si la contre-pression est inférieure à 0,75 pouce de colonne d’eau, le système est acceptable. Si la lecture indique une pression supérieure à 0,75 pouce de colonne d’eau, le système est trop restreint et l’installation inacceptable.

Bien qu’une orientation verticale du système d’évacuation soit acceptable, des particularités d’une telle installation peuvent nuire au rendement de la sécheuse.

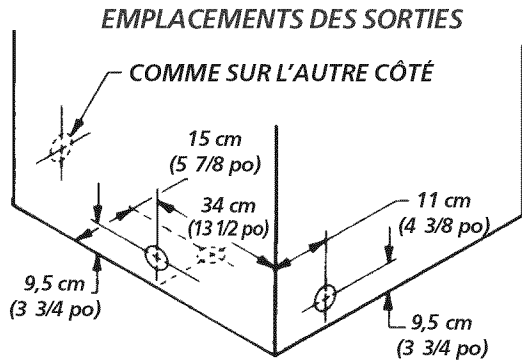
- Seuls des conduits en métal rigide doivent être utilisés.
- L’installation d’un système d’évacuation à orientation verticale, sur un toit risque de causer des refoulements et un accroissement de la restriction du système.
- Tout isolant enveloppant les conduits peut causer de la condensation et ainsi réduire la capacité d’évacuation du système.
- La compression ou l’aplatissement du système d’évacuation peut restreindre l’évacuation d’air.

Le système d’évacuation doit, au minimum, être inspecté et nettoyé **tous les 18 mois** d’utilisation normale. Plus la sécheuse est utilisée, plus il faut procéder souvent à une vérification du système et de la bouche d’évacuation, afin d’en assurer le bon fonctionnement.

DIRECTION DE L'ÉVACUATION D'AIR

À leur sortie de l'usine, les sècheuses sont assemblées de façon que l'évacuation d'air s'effectue par l'arrière. Toutefois, dans le cas des sècheuses électriques, l'évacuation d'air peut se faire à la droite ou à la gauche du châssis ou encore, au bas de la sècheuse. Dans le cas des sècheuses à gaz, l'évacuation d'air peut se faire à la droite du châssis ou au bas de la sècheuse. On peut donc modifier l'orientation de l'évacuation d'air en installant un ensemble d'évacuation d'air (n° de pièce 131456800) disponible chez votre distributeur de pièces.

Suivre les directives qui accompagnent cet ensemble.



EMPLACEMENT DE LA SÈCHEUSE

NE PAS INSTALLER LA SÈCHEUSE :

1. Dans un endroit exposé à un écoulement d'eau ou aux conditions atmosphériques.
2. Dans un endroit où elle serait en contact avec des rideaux, draperies ou tout ce qui obstruera le flux d'air de combustion et de ventilation.
3. Sur un tapis. Le plancher **DOIT** être ferme et présenter une pente de 2,54 cm (1 po) au maximum.

INSTALLATION DANS UNE ALCÔVE OU UN PLACARD

1. Toute sècheuse installée dans une chambre à coucher, une salle de bain, une alcôve ou un placard **DOIT** être reliée à une conduite d'évacuation d'air se terminant à l'extérieur de la maison.
2. Aucun autre appareil brûlant du combustible ne doit être installé dans le même placard que la sècheuse au Gaz.
3. La sècheuse a besoin d'un dégagement suffisant pour permettre la circulation de l'air.

NE PAS INSTALLER LA SÈCHEUSE DANS UN PLACARD POURVU D'UNE PORTE PLEINE.

4. Une ouverture minimum de 774,2 cm² (120 po²) répartie également entre le haut et le bas de la porte est requise. Cette ouverture ne doit pas être obstruée lorsque la porte est en place. Une porte à volets dont les ouvertures totalisent la norme décrite ci-dessus est acceptable.

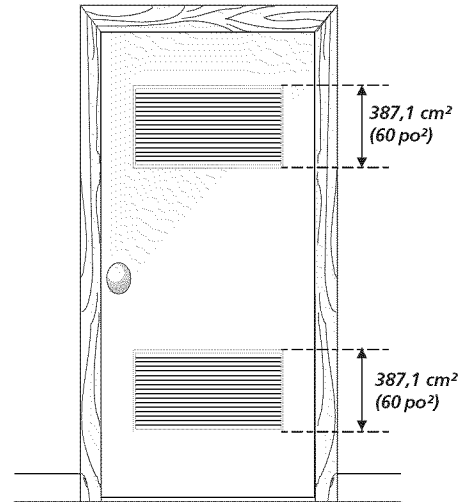
DÉGAGEMENTS MINIMAUX POUR L'INSTALLATION en po (cm)

	D'AVANT	CÔTÉS	ARRIÈRE	DESSUS
Alcôve ou sous un comptoir	0 (0)	0 (0)	0 (0)	15 (38,1)
Armoire	1 (2,54)	0 (0)	0 (0)	15 (38,1)

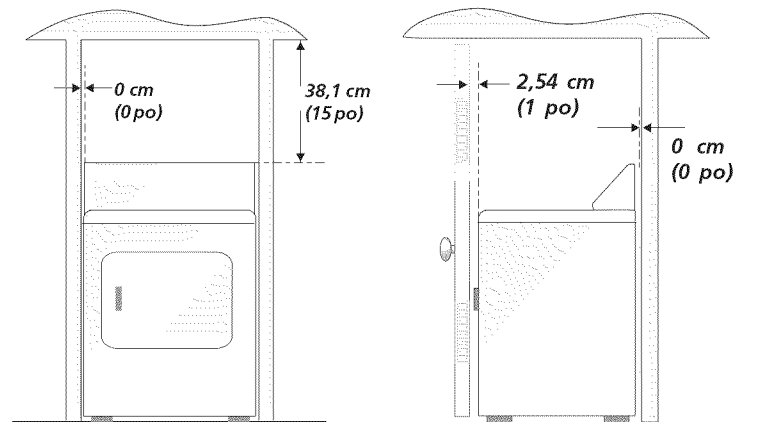
Aération nécessaire dans la porte de l'armoire: 2 ouvertures à persiennes de 60 pouces carrés (387 cm carrés) chacun - à 3 pouces (7,6 cm) du bas et du haut de la porte.

L'AÉRATION DE CETTE SÈCHEUSE SE FAIT VERS L'EXTÉRIEUR.

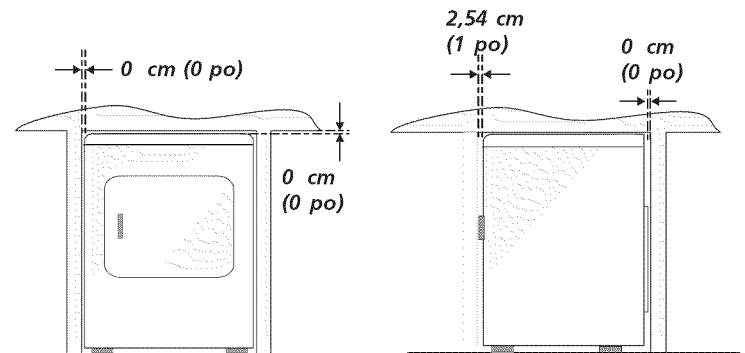
5. Les illustrations qui suivent donnent le dégagement minimum pour une installation dans une alcôve ou un placard.



PORTE DU PLACARD



NOTA: Pour les modèles qui s'installent sous un comptoir et les modèles superposables — 0 cm (0 po) sur les côtés, l'arrière et le dessus.



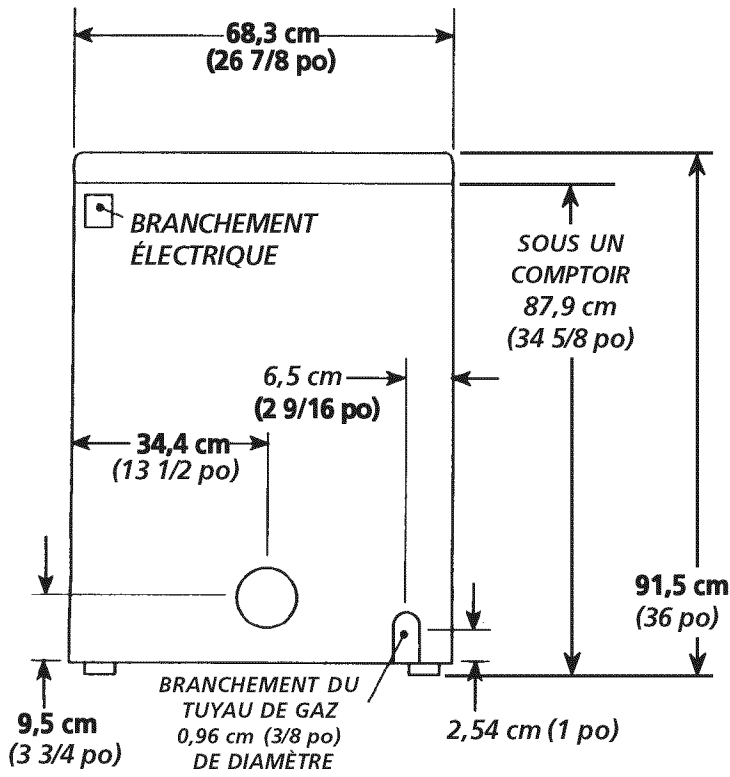
INSTALLATION SOUS UN COMPTOIR

Si vous désirez effectuer une installation sous un comptoir*, il FAUT installer un ensemble P/N 131629100, une tôle supérieure de carrosserie. Cet ensemble est disponible chez un distributeur de pièces autorisé.

* Un dessus de comptoir sur mesure est nécessaire.

MODELES DE DESSOUS DE COMPTOIR ET SUPERPOSÉS

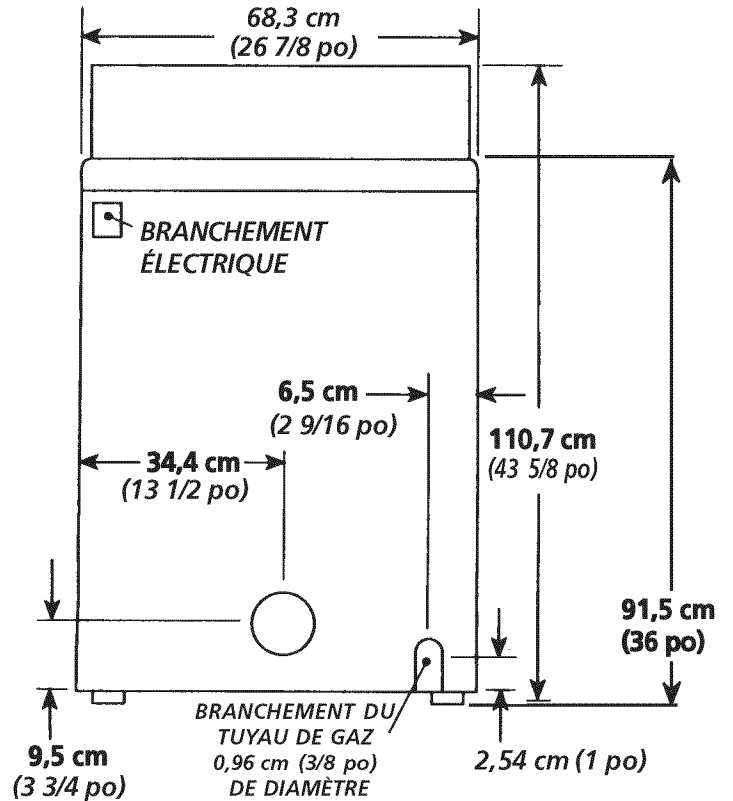
DIMENSIONS DE L'EMPLACEMENT



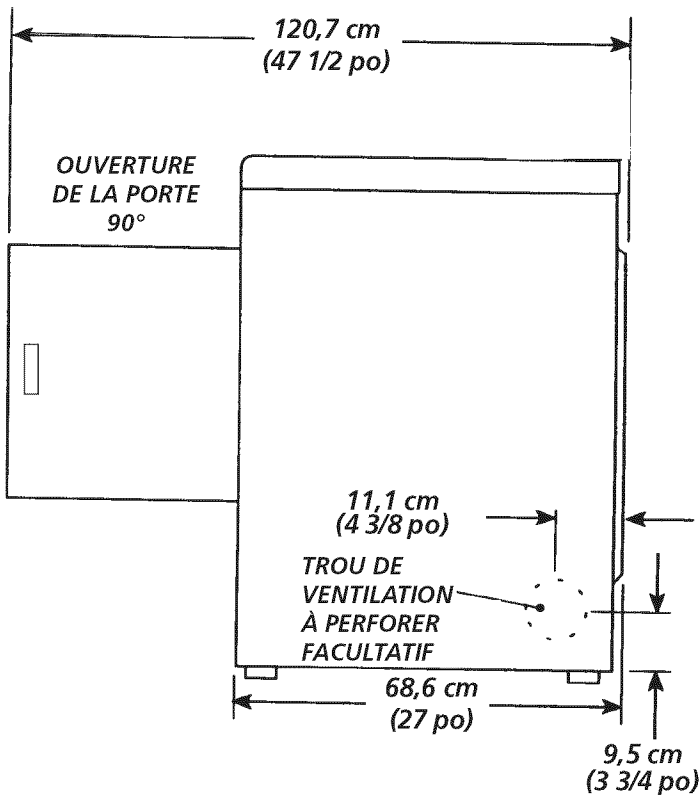
VUE ARRIÈRE

MODELES AUTONOMES AVEC CONSOLE SUPÉRIEURE

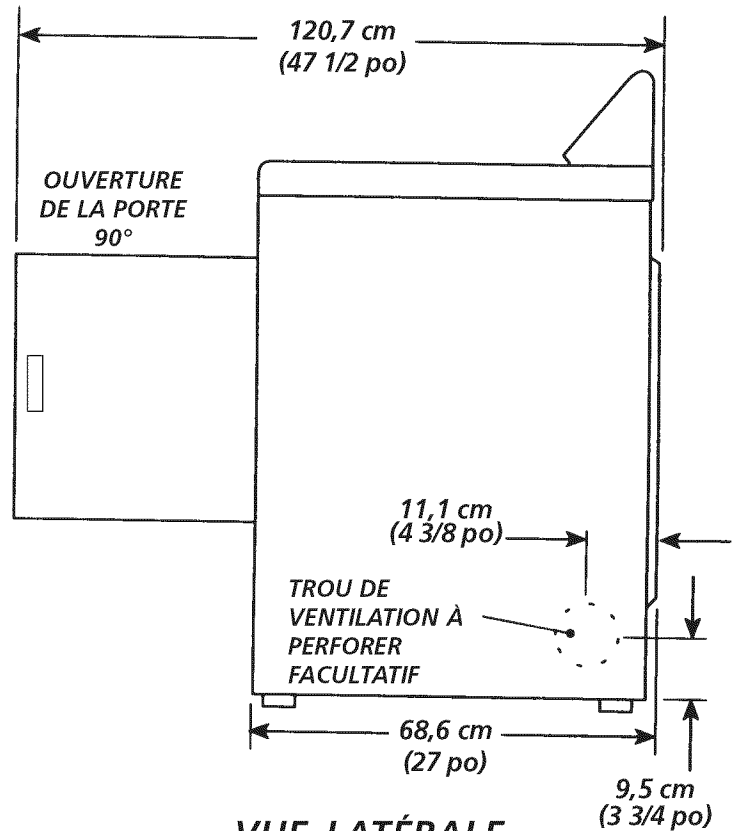
DIMENSIONS DE L'EMPLACEMENT



VUE ARRIÈRE



VUE LATÉRALE



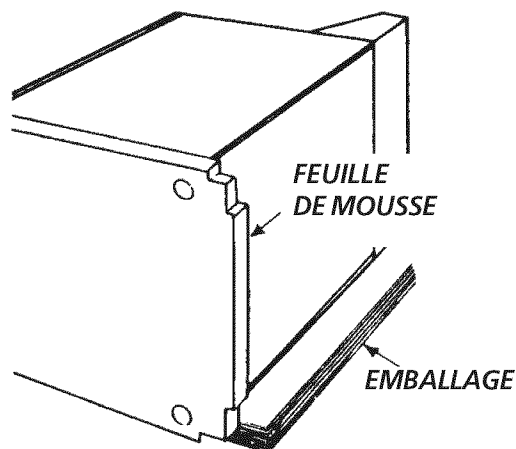
VUE LATÉRALE

DÉBALLAGE

1. À l'aide des quatre cornières de protection (deux de chaque côté), déposer délicatement la sécheuse sur son côté gauche et retirer la feuille de mousse placée sous la sécheuse pour l'expédition.

⚠ MISE EN GARDE Pour ne pas endommager la sécheuse, ne pas prendre prise sur le panneau de commandes pour soulever ou déplacer la sécheuse.

2. Remettre la sécheuse à la verticale.



INSTALLATION GÉNÉRALE

1. Relier le conduit d'évacuation d'air au système d'évacuation extérieur (voir pages 12 et 14). Utiliser un ruban adhésif à conduits pour sceller les joints.

2. Une fois la sécheuse dans son emplacement définitif, régler les pieds de nivellement jusqu'à ce que la sécheuse repose fermement sur ses quatre pieds. Placer un niveau sur le dessus de la sécheuse. **La sécheuse DOIT être de niveau et reposer fermement sur ses quatre pieds.**

3. Brancher le cordon d'alimentation sur une prise mise à la terre. **REMARQUE :** S'assurer que le courant est coupé au panneau de fusibles ou de disjoncteurs avant d'insérer le cordon d'alimentation dans la prise.

4. Remettre le courant au panneau de fusibles ou de disjoncteurs.

⚠ MISE EN GARDE Avant d'utiliser la sécheuse, s'assurer que l'aire de lessive est exempte de tout matériau inflammable, d'essence et de toute autre vapeur inflammable. S'assurer également qu'aucun objet (boîtes, vêtements, etc.) ne nuise à la combustion et à la ventilation.

5. Faire un cycle d'essai afin de vérifier le fonctionnement de la sécheuse.

REMARQUE: Dans le cas des sécheuses à gaz, le conduit doit être vidé de son air avant que le brûleur ne puisse s'allumer. Si le brûleur ne s'allume pas dans les 45 secondes suivant le premier démarrage, l'interrupteur de sûreté éteint le brûleur. Si cela se produit, mettre la minuterie à «OFF» et attendre 5 minutes avant de tenter de rallumer le brûleur.

6. Si la sécheuse ne fonctionne pas, veuillez consulter la section « Dépannage » du guide de l'utilisateur avant de faire appel à un technicien.

7. Placer cette notice près de la sécheuse pour référence future.

8. Pour empiler votre Sécheuse sur une Laveuse compatible appelez votre revendeur local pour trouver votre distributeur local et acheter la pièce accessoire numéro 5303937141."

REMARQUE: Un schéma de câblage se trouve dans le panneau de commande ou sous le couvercle de la sécheuse.

PIÈCES DE RECHANGE

Pour obtenir des pièces de rechange pour la sécheuse, contacter le magasin d'où vient la sécheuse

⚠ MISE EN GARDE Avant d'effectuer tout travail d'entretien ou de réparation des commandes, étiqueter tous les câbles avant de les débrancher. Les erreurs de connexion de câbles peuvent compromettre le bon fonctionnement de l'appareil, voire la sécurité de l'utilisateur. Une fois la réparation ou l'entretien terminé, s'assurer que l'appareil fonctionne correctement.

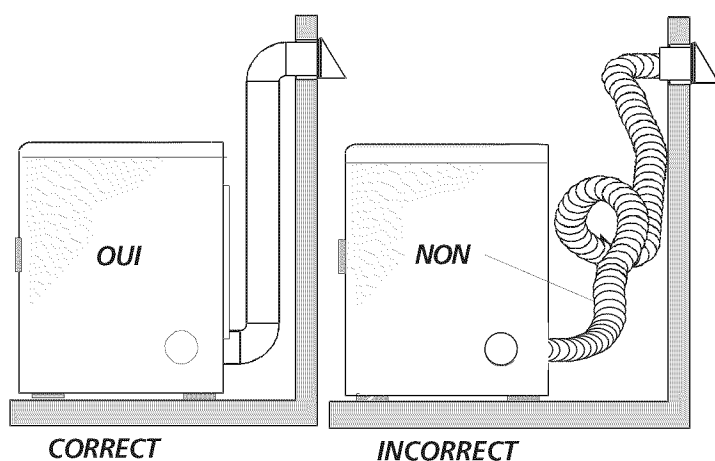
⚠ AVERTISSEMENT Détruire le carton et les sacs en plastique après avoir déballé la sécheuse, afin d'éviter que des enfants ne s'en servent pour s'amuser. Les cartons recouverts de tapis, de couvre-lits ou de feuilles de plastique peuvent former une chambre étanche et entraîner la suffocation d'un enfant. Placer le matériel d'emballage dans un contenant à vidanges ou le mettre hors de la portée des enfants.

⚠ AVERTISSEMENT Les directives qui figurent dans cette notice et dans les autres documents qui accompagnent la sécheuse ne sauraient couvrir toutes les éventualités. Il **IMPORTE** donc de faire preuve de jugement et de prudence pendant l'installation, l'utilisation et l'entretien de tout gros appareil ménager.

INSTALLATION DANS UNE MAISON MOBILE

1. L'évacuation d'air de la sècheuse **DOIT** se faire à l'extérieur de la maison (à l'extérieur et non pas au-dessous de la maison mobile) à l'aide de conduit en métal non inflammable, à l'épreuve du feu. Les conduits en métal doivent avoir 10,16 cm (4 pouces) de diamètre sans obstructions. Les conduits en métal rigide sont préférables.
2. Si la conduite d'évacuation d'air traverse le plancher et un espace fermé situé sous la maison mobile, l'évacuation d'air **DOIT** se terminer à l'extérieur de cet espace fermé, et la sortie bien fixée à la structure de la maison mobile.
3. Lors de l'installation d'une sècheuse à gaz dans une maison mobile, il faut prévoir un apport d'air extérieur. L'espace à prévoir doit être supérieur de deux fois celui du conduit d'évacuation de la sècheuse.
4. Cette sècheuse **DOIT** être fixée au plancher. L'ensemble d'installation no. 169840 pour maison mobile est disponible chez votre distributeur.
5. Se référer aux pages 2 et 3 pour de plus amples informations sur les exigences de ventilation.
6. L'installation **DOIT** respecter la norme fédérale sur la construction et la sécurité des maisons mobiles en vigueur (Manufactured Home Construction & Safety Standard) (partie intégrante du règlement fédéral 24 CFR Partie 32-80) ou, lorsque cette norme ne s'applique pas, elle doit respecter la norme nationale américaine pour les maisons mobiles (American National Standard for Mobile Homes). Lorsque l'installation se fait au Canada, elle doit se conformer aux normes ACNOR Z240.

⚠ AVERTISSEMENT La sècheuse est conçue conformément à la norme ANSI Z 21.5.1 pour un **USAGE DOMESTIQUE** seulement.

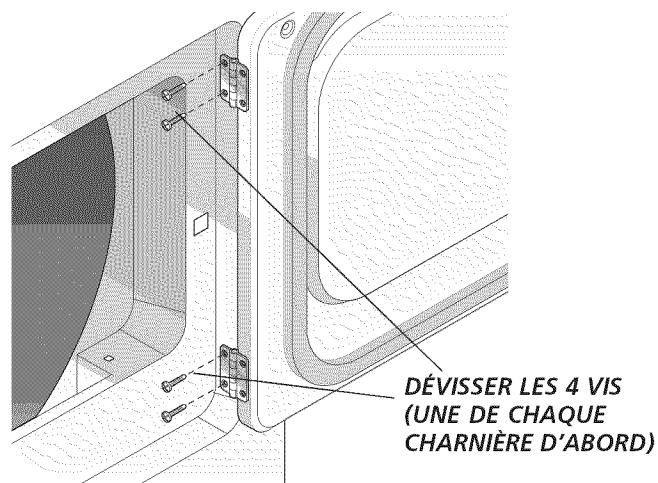


PORTE RÉVERSIBLE

La sècheuse est conçue de façon que l'ouverture de la porte puisse être inversée en tout temps sans pièces additionnelles. L'inversion de la porte requiert le transfert des charnières au côté opposé du châssis.

Pour inverser l'ouverture d'une porte pleine :

1. Ouvrir la porte de la sècheuse. Retirer les quatre bouchons d'orifice de vis du côté gauche de la porte et les mettre de côté. **REMARQUE** : Un couteau à mastic en plastique peut s'avérer nécessaire pour retirer les bouchons. Prendre soin de ne pas égratigner la peinture.
2. Retirer les quatre vis fixant les charnières de la porte au panneau avant de la sècheuse (voir ci-dessous). **REMARQUE** : Retirer d'abord une vis dans chacune des charnières. Tenir la porte fermement avant de dévisser les deux dernières vis.
3. Faire faire une rotation de 180° à la porte et remettre en place les charnières sur le panneau avant de la sècheuse à l'aide des quatre vis.
4. Poser les quatre bouchons d'orifice de vis sur le côté droit de la porte.



INSTALLATION ÉLECTRIQUE

TOUTES les sècheuses ÉLECTRIQUES

AVERTISSEMENT Les directives suivantes ont été émises afin d'assurer l'installation appropriée et sécuritaire de votre sècheuse. Le défaut de respecter ces directives risque d'entraîner des chocs électriques et/ou un incendie.

AVERTISSEMENT Cet appareil **DOIT** être convenablement mis à la terre. La sècheuse présenterait des risques de choc électrique si elle n'était pas convenablement mise à la terre. Respecter les directives de mise à la terre contenues dans cette notice pour une mise à la terre correcte.

AVERTISSEMENT Ne pas utiliser de rallonge avec cette sècheuse. N'étant pas conçues pour supporter l'intensité du courant qu'utilise cette sècheuse, certaines rallonges peuvent fondre et causer un choc électrique ou un incendie. Placer la sècheuse à portée de la prise murale afin de déterminer la longueur du cordon électrique à acheter; prévoir un certain jeu dans la longueur du cordon. Se reporter à la section «Avant l'installation» de cette notice, afin de déterminer le type de cordon à acheter.

AVERTISSEMENT Un serre-câble approuvé U.L. doit être fixé au cordon d'alimentation, sans quoi les mouvements de l'appareil risquent d'arracher et de couper le cordon et de causer un choc électrique.

AVERTISSEMENT Ne pas utiliser une prise à câblage en aluminium avec une fiche et un cordon à câblage en cuivre et inversement. La réaction chimique provoquée par le contact entre le cuivre et l'aluminium cause des court-circuits. Le câblage approprié consiste en un cordon d'alimentation à câblage en cuivre et une prise à câblage en cuivre.

REMARQUE : Le temps de séchage des sècheuses connectées à un circuit de 208 volts sera plus long que celles connectées à un circuit de 240 volts.

MISE À LA TERRE

Sècheuses ÉLECTRIQUES USA

AVERTISSEMENT Le raccordement inapproprié du fil de terre peut causer un choc électrique. En cas de doute quant à la mise à la terre de l'appareil, contacter un électricien qualifié.

Sècheuse mise à la terre et branchée sur une prise électrique :

1. La sècheuse **DOIT** être mise à la terre. En cas de défektivité ou de défaillance, la mise à la terre réduit les risques de choc électrique en offrant un parcours de moindre résistance au courant.
2. Si la sècheuse est pourvue d'un cordon d'alimentation électrique comportant un fil et une fiche de terre, la fiche **DOIT** être branchée sur une prise murale à câblage en cuivre, correctement installée et mise à la terre conformément à tous les codes et règlements locaux. En cas de doute, contacter un électricien qualifié.

Ne modifiez pas la prise équipée d'appareil.

Sècheuse connectée en permanence à un circuit électrique:

1. La sècheuse **DOIT** être connectée à un circuit électrique métallique mis à la terre; sinon, un fil de mise à la terre de l'appareil doit être câblé avec les fils du circuit et connecté à la borne ou au fil de mise à la terre de l'appareil.

Sècheuses ÉLECTRIQUES Canadiennes

AVERTISSEMENT Le raccordement inapproprié du fil de terre peut causer un choc électrique. En cas de doute quant à la mise à la terre de l'appareil, contacter un électricien qualifié.

Sècheuse mise à la terre et branchée sur une prise électrique

1. La sècheuse **DOIT** être mise à la terre. En cas de défektivité ou de défaillance, la mise à la terre réduit les risques de choc électrique en offrant un parcours de moindre résistance au courant.
2. Étant donné que la sècheuse est pourvue d'un cordon d'alimentation électrique comportant un fil et une fiche de terre, la fiche doit être branchée sur une prise murale à câblage en cuivre, correctement installée et mise à la terre conformément à tous les codes et règlements locaux. En cas de doute, contacter un électricien qualifié.

Ne modifiez pas la prise équipée d'appareil.

TOUTES les sècheuses à GAZ

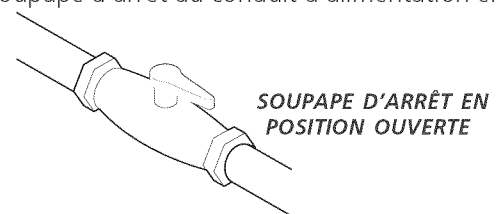
Afin de protéger l'utilisateur contre les chocs électriques, la sècheuse est dotée d'une fiche à trois broches (mise à la terre) et doit être branchée directement sur une prise à trois alvéoles correctement mise à la terre. Ne pas couper ni enlever la broche de mise à la terre de cette fiche.

BRANCHEMENT DU GAZ

1. Retirer le bouchon d'expédition qui recouvre le tuyau de gaz à l'arrière de la sècheuse.

REMARQUE: NE PAS brancher la sècheuse sur une installation de propane liquide sans avoir posé un nécessaire de conversion. Ce nécessaire doit être installé par un technicien qualifié.

2. Raccorder un tuyau semi-rigide ou approuvé de 1,27 cm (1/2 po) de diamètre intérieur au tuyau de 0,96 cm (3/8 po) situé à l'arrière de la sècheuse (voir pages 6 et 7). Utiliser un réducteur de 1,27 cm-0,96 cm (1/2 po-3/8 po) pour le raccordement. Appliquer, sur tous les raccords, un ruban ou une pâte d'étanchéité pour joints filetés approuvé résistant à corrosion produite par les gaz liquéfiés.
3. Ouvrir la soupape d'arrêt du conduit d'alimentation en gaz.



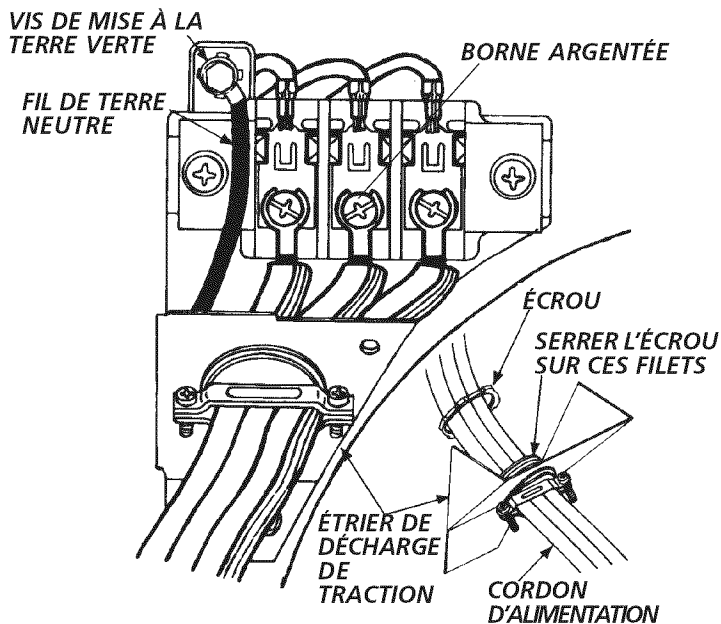
4. Vérifier tous les raccordements en versant de l'eau savonneuse sur les joints.

Ne JAMAIS vérifier la présence de fuites à l'aide d'une flamme nue.

BRANCHEMENT ÉLECTRIQUE D'UNE INSTALLATION À 3 FILS

Sécheuses *ÉLECTRIQUES* USA

1. Dévisser les vis qui retiennent le panneau du bloc de jonction et l'étrier de décharge de traction situés dans le coin supérieur du dos de la sécheuse.
2. Installer un serre-câble approuvé U.L. dans l'orifice de l'étrier de décharge de traction. Serrer simplement l'écrou à la main pour le moment.



3. Passer un cordon d'alimentation NEMA 10-30 approuvé U.L., 30 A, de type SRDT dans le serre-câble.
4. Relier le fil neutre (fil du centre) du cordon d'alimentation à la borne argentée au centre du bloc de jonction. Serrer la vis à fond.
5. Relier les deux fils restants aux bornes cuivrées à droite et à gauche du bloc de jonction. Serrer les deux vis à fond.

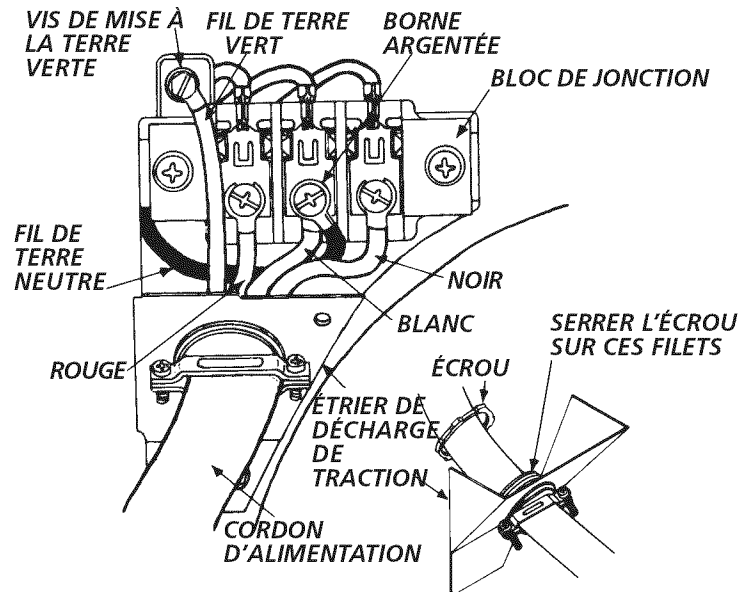
AVERTISSEMENT Ne pas aplatir, ni plier excessivement les fils sur les bornes.

6. Remettre en place l'étrier de décharge de traction à l'arrière de la sécheuse à l'aide des deux vis. Serrer les vis à fond.
7. Serrer les vis de la bride de retenue du cordon d'alimentation.
8. Serrer l'écrou du serre-câble de façon que ce dernier ne puisse plus tourner.
9. Remettre en place le panneau du bloc de jonction.

BRANCHEMENT ÉLECTRIQUE D'UNE INSTALLATION À 4 FILS

Sécheuses *ÉLECTRIQUES* USA

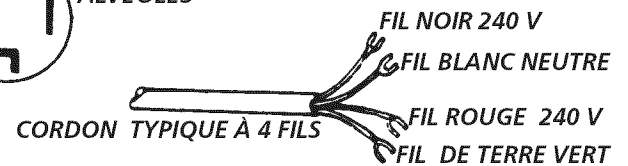
1. Dévisser les vis qui retiennent le panneau du bloc de jonction et l'étrier de décharge de traction situés dans le coin supérieur du dos de la sécheuse.
2. Installer un serre-câble approuvé U.L. dans l'orifice de l'étrier de décharge de traction. Serrer simplement l'écrou à la main pour le moment.
3. Retirer le fil de terre de la vis de mise à la terre verte située au-dessus du bloc de jonction.



4. Passer un cordon d'alimentation NEMA 14-30 approuvé U.L., 30 A, de type ST ou SRDT dans le serre-câble.



PRISE TYPIQUE À 4 ALVÉOLES



CORDON D'ALIMENTATION NEMA 14-30, 30 A, DE TYPE ST OU SRDT

5. Relier le fil de terre vert du cordon d'alimentation au châssis à l'aide de la vis de mise à la terre verte.
6. Relier le fil blanc (neutre) du cordon d'alimentation ainsi que le fil de terre du faisceau de la sécheuse à la borne argentée (au centre) du bloc de jonction.
7. Relier les fils rouge et noir du cordon d'alimentation aux bornes cuivrées à gauche et à droite du bloc de jonction.

AVERTISSEMENT Ne pas aplatir, ni plier excessivement les fils sur les bornes.

8. Serrer les vis de la bride de retenue, afin de bien immobiliser le cordon d'alimentation.
9. Serrer l'écrou du serre-câble de façon que ce dernier ne puisse plus tourner.
10. Remettre en place le panneau du bloc de jonction.

Tabla de Materias

Requerimientos de instalación preliminares.....	20
Requerimientos eléctricos.....	21
Requerimientos del suministro de gas.....	21
Requerimientos del sistema de escape.....	21-23
Ubicación de su secadora.....	23
Dimensiones para la instalación.....	24
Desembalaje.....	25
Instalación.....	25
Piezas de recambio.....	25
Instalación en casas móviles.....	26
Puerta reversible.....	26
Instalación eléctrica.....	27
Requerimientos para la puesta a tierra.....	27
Conexión del Gas.....	27
Conexiones eléctricas - trifilares.....	28
Conexiones eléctricas - tetrafilares.....	28

SEGURIDAD de SECADORA

La instalación y el servicio de la Secadora de ropa se deben realizar por un instalador calificado, la agencia de servicio o el surtidor de gas.

Instale la Secadora de ropa según las instrucciones del fabricante y los códigos locales. Antes de comenzar la instalación, lea cuidadosamente estas instrucciones. Esto simplificará la instalación y asegurará que la secadora se instale correctamente y de manera segura. Después de completar la instalación, coloque estas instrucciones cerca de la secadora para referencia futura.


NOTA: La alimentación eléctrica para la secadora deberá cumplir con los códigos y reglamentos locales y con la última edición del Código Eléctrico Nacional, ANSI/NFPA 70 o en Canadá CSA C22.1 Código Eléctrico Canadiense, Parte 1.

NOTA: La alimentación de gas para la secadora deberá cumplir con los códigos y reglamentos locales y con la última edición del Código Nacional para Gases Combustibles, ANSI Z223.1 o en Canadá CAN/CGA B149.12.


NOTA: La secadora está clasificada para USO DOMESTICO solamente, de acuerdo con la norma ANSI Z21.5.1 o ANSI/UL 2158-CAN/CSA C22.2 No. 112 (las últimas ediciones). Esta secadora no se recomienda para uso comercial tal como en restaurantes, salones de belleza, etc.

Su seguridad y la seguridad de terceros son muy importantes.


Hemos proporcionado muchos mensajes importantes para la seguridad en las Instrucciones de Operación del Manual de Uso y Mantenimiento, las Instrucciones de Instalación y en el mismo aparato. Siempre lea y obedezca todos los mensajes para seguridad.

 Este símbolo significa alerta. Este símbolo lo alerta acerca de peligros que pueden matar o lesionar, tanto a usted como a otras personas. Todos los mensajes de seguridad serán precedidos por el símbolo de alerta para su seguridad y la palabra "**PELIGRO** o **ADVERTENCIA**" (**DANGER** o **WARNING**). Estas palabras significan:

 **PELIGRO PELIGRO (DANGER)** Usted morirá o resultará seriamente lesionado si no sigue las instrucciones siguientes.

 **ADVERTENCIA ADVERTENCIA (WARNING)** Usted puede morir o resultar seriamente lesionado si no sigue las instrucciones siguientes.

Todos los mensajes de seguridad identificarán el peligro, le dirán a usted cómo reducir la posibilidad de lesión y también qué puede suceder si no se siguen las instrucciones.

 **ADVERTENCIA RIESGO DE INCENDIO.** Para su seguridad, siga las instrucciones contenidas en este manual a fin de reducir a un mínimo los riesgos de incendio o explosión o para evitar daños materiales, lesiones personales o la muerte. **GUARDE ESTAS INSTRUCCIONES.**

- No almacene ni utilice gasolina u otros vapores y líquidos inflamables en la proximidad de éste o de cualquier otro artefacto eléctrico.
- **QUE DEBE HACER SI PERCIBE OLOR A GAS**
 - No trate de encender ningún artefacto eléctrico.
 - No toque ningún interruptor eléctrico; no use ningún teléfono en su edificio.
 - Haga salir a todos los ocupantes de la habitación, del edificio y del lugar.
 - Llame a su proveedor de gas desde el teléfono de un vecino. Siga las instrucciones del proveedor de gas.
 - Si no logra comunicarse con su proveedor de gas, llame al departamento de bomberos.

La instalación y el servicio de mantenimiento debe de realizarlos un instalador calificado, la agencia de servicios o el proveedor de gas.

REQUERIMIENTOS DE INSTALACIÓN PRELIMINARES

Herramientas y materiales necesarios para la instalación:

1. Destornillador Phillips
2. Alicates universales
3. Nivel de carpintero
4. Destornillador para tornillo de cabeza plana o recta
5. Cinta para ductos
6. Ducto metálico rígido o flexible de 4" (10,2 cm)
7. Caperuza de salida
8. Sellador de tuberías (gas)
9. Un cuchillo de plástico

REQUERIMIENTOS ELÉCTRICOS

Secadoras ELÉCTRICAS

CIRCUITO: circuito independiente individual de 30 A con fusibles de acción retardada o disyuntores.

Use circuitos con fusibles separados para las lavadoras y secadoras y **NO** haga funcionar una lavadora y una secadora en el mismo circuito.

SUMINISTRO ELÉCTRICO: trifilar o tetrafilar, 240 V, 1 fase, 60 Hz, corriente alterna.

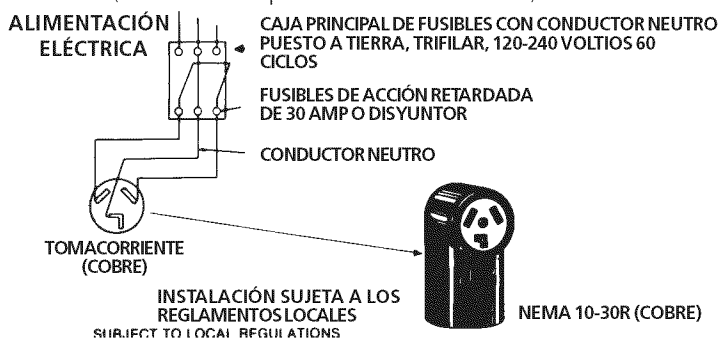
CABLE DE ALIMENTACIÓN ELÉCTRICA: Trifilar: la secadora **DEBE** emplear un cable de alimentación eléctrica de 3 conductores tipo NEMA 10-30, SRDT calificado para CA mínima de 240 voltios, 30 A., con 3 conectores de terminal horquilla con extremos doblados hacia arriba o de bucle cerrado y calificados para uso en secadoras de ropa. Vea CONEXIONES ELÉCTRICAS PARA UN SISTEMA TRIFILAR.

Tetrafilar: la secadora **DEBE** emplear un cable de alimentación eléctrica de 4 conductores tipo NEMA 14-30, SRDT o ST (según se especifique) calificado para CA mínima de 240 voltios, 30 amp., con 4 conectores de terminal horquilla con extremos doblados hacia arriba o de bucle cerrado y calificados para uso en secadoras de ropa. Vea CONEXIONES ELÉCTRICAS PARA UN SISTEMA TETRAFILAR.

(Canadá - cable de alimentación eléctrica de 4 cables instalado en la secadora.)

ADVERTENCIA: riesgo de choque eléctrico Electrodoméstico puesto a tierra a través de un enlace al conductor neutro. La puesta a tierra a través del neutro está prohibida para (1) instalaciones de circuitos de bifurcación nuevos (2) casas rodantes; (3) vehículos recreativos; y (4) áreas cuyas leyes locales no permiten la puesta a tierra a través del neutro; (1) desconecte el enlace al neutro; (2) use un terminal o cable de puesta a tierra para realizar la conexión según las leyes locales; y (3) conecte el terminal o cable del neutro al neutro del circuito de bifurcación como se hace normalmente (si el electrodoméstico se va a conectar a través de un kit de cordón eléctrico, use un cable tetrafilar). **SÓLO USE CABLES DE COBRE.**

RECEPTÁCULO DEL TOMACORRIENTE: receptáculo NEMA 10-30 R que debe estar ubicado en un lugar al que el cable de alimentación eléctrica pueda acceder cuando la secadora esté instalada. (Canadá: receptáculo NEMA 14-30R.)



Secadoras a GAS

CIRCUITO - Circuito individual derivado de 15 amp, con fusibles de 15 amp. de retardo máximo o disyuntor.

ALIMENTACIÓN ELÉCTRICA - Corriente alterna, monofásica, 60 Hz, 120 voltios, trifilar.

CORDÓN ELÉCTRICO - La secadora está equipada con un cordón eléctrico trifilar para 120 voltios.

NOTA: No saque por ningún motivo la espiga de puesta a tierra del enchufe.



REQUERIMIENTOS DEL SUMINISTRO DE GAS

ADVERTENCIA Reemplace la tubería de conexión de cobre que no está recubierta con plástico. El latón inoxidable o recubierto con plástico **DEBE SER** utilizado.

1. La instalación **DEBE** hacerse cumplir con los códigos locales o en ausencia de los mismos, de acuerdo con los estándares del National Fuel Gas Code (Código Nacional para Gases Combustibles), ANSI Z223.1 (la última edición). Para Canadá, el Estandar CAN/CGA B149 que esté en vigor.
2. La tubería de alimentación de gas debe ser de 1/2 pulgada (1,27 cm) de diámetro.
3. Si está permitido por los códigos locales, se puede usar tubería de metal para conectar su secadora a la línea de suministro de gas. La tubería **DEBE** ser fabricada de acero inoxidable o cobre recubierto de plástico.
4. La tubería de alimentación de gas **DEBE** tener una llave de cierre individual.
5. Una toma de 1/8 de pulgada (0,32 cm) N.P.T. accesible para conexión del manómetro de prueba, **DEBE** ser instalada inmediatamente aguas arriba de la conexión de la tubería de alimentación de gas a la secadora.
6. La secadora **DEBE** ser desconectada del sistema de tuberías de alimentación de gas durante cualquier ensayo de presión del sistema de tuberías de alimentación de gas realizado a presiones de prueba de más de 1/2 lbs/pulg.² (3,45 kPa).
7. La secadora **DEBE** aislarse del sistema de tuberías de alimentación de gas durante cualquier ensayo de presión del sistema de tuberías de alimentación de gas realizado en ensayos de presión iguales o inferiores a 1/2 lbs/pulg.² (3,45 kPa).

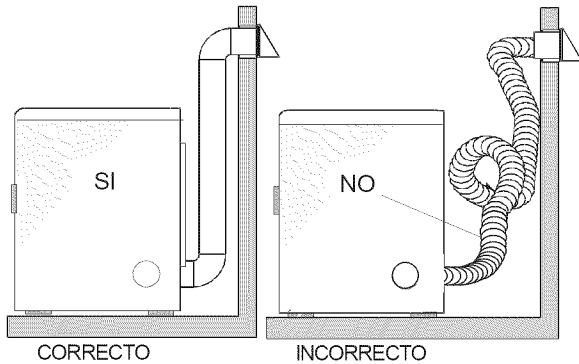
REQUERIMIENTOS DEL SISTEMA DE ESCAPE

Utilice solamente ductos metálicos, rígidos o flexibles de 4" (10,2 cm) de diámetro (mínimo) y una caperuza de salida de uso aprobado, con registros que giren hacia afuera que se abren cuando la secadora se encuentra en funcionamiento. Cuando la secadora se detiene, los registros se cierran automáticamente para evitar las corrientes de aire y la entrada de insectos y roedores. Para evitar obstruir la salida, mantenga una altura libre mínima de 12" (30,5 cm) entre la caperuza de salida y el piso o entre cualquier otra obstrucción.

ADVERTENCIA Los siguientes requerimientos son específicos para el funcionamiento correcto y seguro de su secadora. El incumplimiento de estas instrucciones puede causar prolongación excesiva del tiempo de secado y riesgos de incendio.

ADVERTENCIA No instale la Secadora con materiales de ventilación plásticos flexibles. En Canadá y los Estados Unidos si el conducto es de metal (tipo hoja de aluminio), éste debe ser de un tipo específico identificado por el fabricante, recomendado para el uso con Secadoras; y en los Estados Unidos debe además cumplir con la norma UL 2158A. Los materiales de ventilación flexibles se pueden colapsar o apachurrar fácilmente y atrapar pelusa. Estas condiciones obstruirán la circulación de aire de la Secadora de ropa y aumentarán el **riesgo de incendio**. Si su sistema de escape actual tiene ductos de plástico o de láminas metálicas delgadas, reemplácelo con un ducto metálico rígido o flexible. **Asegúrese de que los ductos existentes no tengan pelusas antes de instalar el ducto de la secadora.**

⚠ Riesgo de incendio - La secadora debe ser ventilada al exterior de la vivienda. No ventile la secadora a una chimenea, pared, techo, ático, pasajes entre pisos o cualquier espacio oculto de la vivienda. Las secadoras de ropa producen pelusa combustible. Si no se ventila la secadora al exterior, algunas pelusas finas se acumularán en el área de lavandería. La acumulación de pelusa en cualquier área de la vivienda puede constituir un peligro sanitario y un riesgo de incendio. **La secadora debe estar conectada a un sistema de escape que termine en el exterior de la vivienda.** Inspeccione la abertura de escape al exterior con frecuencia y elimine cualquier acumulación de pelusa en tal abertura y en el área que la rodea.

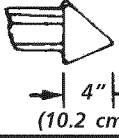

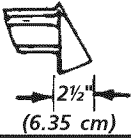


⚠ No permita que los materiales combustibles (por ejemplo: la ropa, cortinas/cortinajes, papel) tengan contacto con los ductos.

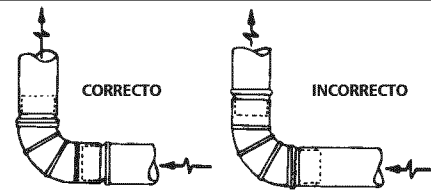
⚠ Exceder la longitud del conducto rígido o los números de codos permitidos en los diagramas "**LARGO MÁXIMO**" puede disminuir la capacidad de exhaustación del sistema. Obstruir el conducto puede provocar peligro de incendio, así como aumentar el tiempo de secado.

⚠ No obstruya los extremos del tubo de ventilación, ni utilice tornillos, remaches u otros medios de fijación que puedan obstruir el conducto y atrapar pelusa. Las pelusas podrían quedar atrapadas en los filtros, en los tornillos o en los remaches, lo cual obstruiría el sistema de escape y crearía un riesgo de incendio, así como también prolongaría el tiempo de secado. Use una caperuza de salida adecuada para el extremo del ducto que salga al exterior de la vivienda y selle todas las juntas con cinta adhesiva para ductos. Todos los accesorios de tubería machos, **DEBEN** ser instalados aguas abajo del flujo de aire.

⚠ ADVERTENCIA Riesgo de explosión. No instale la secadora donde se guarda gasolina u otros materiales inflamables. Si la secadora se instala en un garage, ella debe estar por lo menos 18 pulgadas (45,7 cm) por encima del suelo. El incumplimiento puede resultar en la muerte, explosión, incendio, o quemaduras.

Número de Codos a 90°	LARGO MÁXIMO del Conducto Metálico Rígido de 4" (10,2 cm) de Diámetro		
	TIPO DE CAPERUZA DE SALIDA (Preferido)		
	 4" (10.2 cm)	 Apersianada	 2½" (6.35 cm)
0	60 ft. (18.28 m)		48 ft. (14.63 m)
1	52 ft. (15.84 m)		40 ft. (12.19 m)
2	44 ft. (13.41 m)		32 ft. (9.75 m)
3	32 ft. (9.75 m)		24 ft. (7.31 m)
4	28 ft. (8.53 m)		16 ft. (4.87 m)

Número de Codos a 90°	LARGO MÁXIMO del Conducto Metálico Flexible de 4" (10,2 cm) de Diámetro		
	TIPO DE CAPERUZA DE SALIDA (Preferido)		
	 4" (10.2 cm)	 Apersianada	 2½" (6.35 cm)
0	30 ft. (9.14 m)		18 ft. (5.49 m)
1	22 ft. (6.71 m)		14 ft. (4.27 m)
2	14 ft. (4.27 m)		10 ft. (3.05 m)
3	NO RECOMENDADO		



INSTALE LOS ACCESORIOS MACHOS EN LA DIRECCIÓN CORRECTA

Para las instalaciones cuyo sistema de exhaustación no se encuentre en el diagrama, se puede utilizar el método a continuación para determinar si el sistema de exhaustación es apropiado.

1. Conecte un manómetro a tubo inclinado o digital entre la secadora y el unión de exhaustación de la secadora.
2. Ponga el contador de tiempo de la secadora y la temperatura a aire frío (enfriamiento), y la secadora en la posición de marcha.
3. Lea la medida indicada en el manómetro.
4. La baja presión **NO DEBE** exceder 0.75 pulgada de la columna de agua. Si la baja presión es inferior a 0.75" de la columna de agua, el sistema es aceptable. Si la lectura indica una presión superior a 0.75" de la columna de agua, la capacidad del circuito es insuficiente y la instalación es inaceptable.

Aunque un sistema vertical sea aceptable, algunas circunstancias atenuantes pueden afectar el funcionamiento de la secadora:

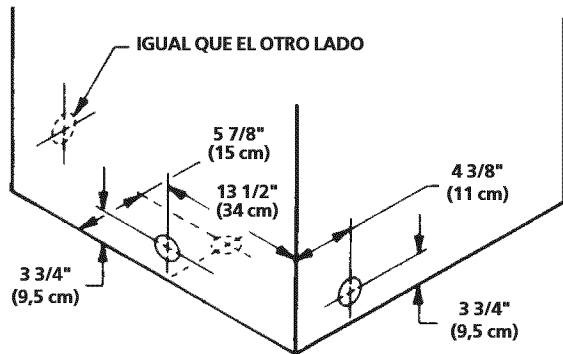
- Se debe utilizar solamente conductos metálicos rígidos.
- Una salida del sistema vertical en el techo, puede exponerle a un corriente de aire descendente y disminuir así su capacidad de exhaustación.
- El aislante que debe atravesar el sistema puede causar condensación y disminuir así la capacidad de exhaustación del sistema.
- La capacidad de exhaustación de un sistema de exhaustación comprimido o ondulado puede disminuirse.

El sistema de exhaustación debe de ser inspeccionado y limpiado por lo menos **cada 18 meses** de uso normal. Cuanto más la secadora está utilizada, más debe verificar el buen funcionamiento del sistema de exhaustación y de la tapa del orificio de ventilación.

UBICACIÓN DEL ESCAPE

Todas las secadoras vienen de fábrica equipadas con escape trasero. Sin embargo, en las secadoras eléctricas, el escape puede hacerse al lado derecho o izquierdo del gabinete o en la parte inferior de la secadora. En las secadoras a gas, el escape del aire puede estar en el lado derecho del gabinete o en la parte inferior de la secadora. El escape direccional puede efectuarse instalando un Juego de Escape, P/N 131456800, disponible a través de su distribuidor de repuestos. Siga las instrucciones que se suministran con el juego.

DIMENSIONES PARA LA UBICACIÓN DEL DUCTO DE ESCAPE



UBICACIÓN DE SU SECADORA

NO INSTALE SU SECADORA:

1. En un lugar donde puede haber goteos de agua o quede expuesta a las inclemencias del tiempo.
2. En un área donde pueda entrar en contacto con cortinas, cortinajes o cualquier otra cosa que obstruya el flujo de combustión y ventilación de aire.
3. Sobre alfombras. El piso **DEBE** ser firme con un desnivel máximo de 1 pulgada (2,54 cm).

INSTALACIÓN DENTRO DE UN NICH O ARMARIO

1. Si la secadora es instalada en un dormitorio, cuarto de baño, nicho o armario, el tubo del escape **DEBE** ser instalado hacia el exterior.
2. No se debe instalar ningún otro artefacto que quemé combustible en el mismo armario en que está instalada la secadora a Gas.
3. La secadora necesita espacio a su alrededor para una ventilación adecuada.

NO INSTALE LA SECADORA EN UN ARMARIO CON PUERTA MACIZA.

4. Se requiere como mínimo una abertura de 120 pulgadas cuadradas (774,2 cm²), dividida equitativamente para la parte superior e inferior de la puerta. Cuando se instala una puerta, es necesario proveer aberturas para el aire. Una puerta apersianada con aberturas para el aire en todo el largo de la puerta es aceptable.

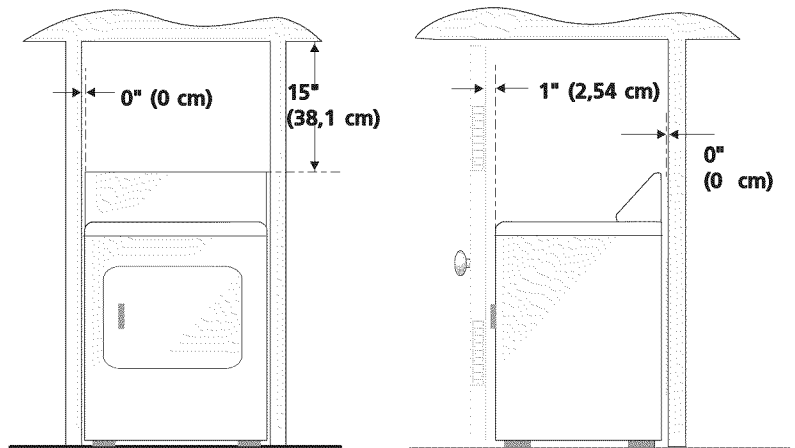
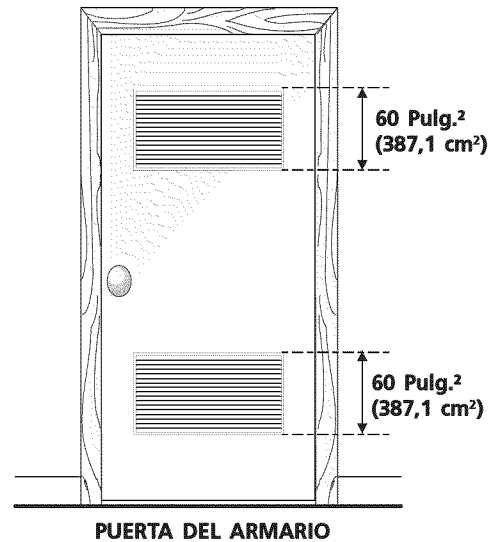
DESPEJES MÍNIMOS DE INSTALACIÓN (Pulgadas)

	PARTE DELANTERA	LADOS	PARTE TRASERA	PARTE SUPERIOR
Alcoba o encastradas	0 (0 cm)	0 (0 cm)	0 (0 cm)	15 (38,1 cm)
Armario	1 (2,54 cm)	0 (0 cm)	0 (0 cm)	15 (38,1 cm)

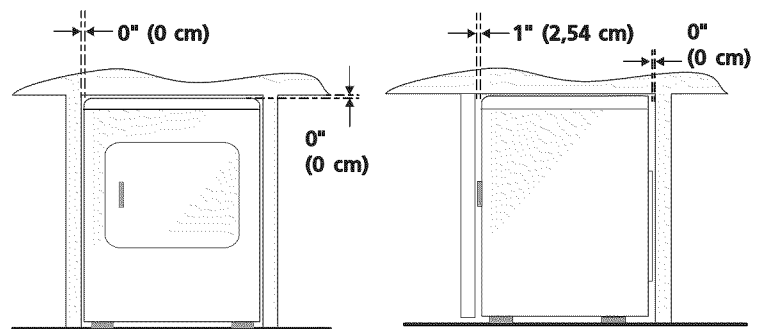
Ventilación requerida en la puerta del armario: dos aberturas rejilladas cada 60 pulg.² (387 cm²) — 3" (7,6 cm) desde la parte inferior y superior de la puerta.

EL TUBO DEL ESCAPE DE LA SECADORA DEBE SER INSTALADO HACIA EL EXTERIOR.

5. Las siguientes ilustraciones muestran las dimensiones mínimas de espacio libre que debe existir para el buen funcionamiento de la secadora cuando se instala en un nicho o en un armario.



NOTA: Secadoras encastradas o superpuestas — 0 pulgada (0 cm) para los lados, parte trasera y en la parte superior.

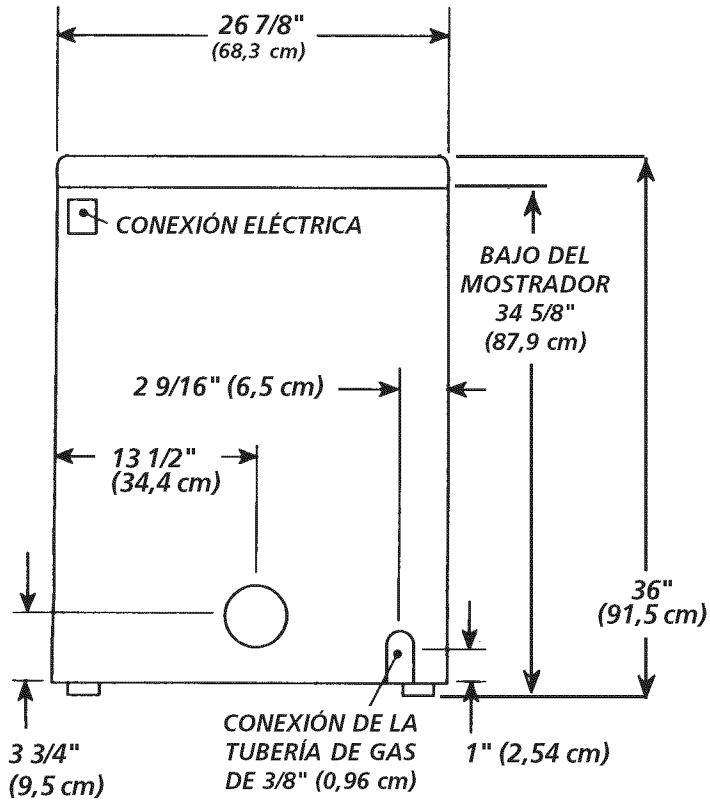


INSTALACIÓN DEBAJO DE UN MOSTRADOR

Si se desea una instalación debajo de un mostrador*, ES IMPRESCINDIBLE instalar un conjunto de hoja superior en la lavadora, número de parte 131629100. Este conjunto es disponible de un distribuidor de partes autorizado.

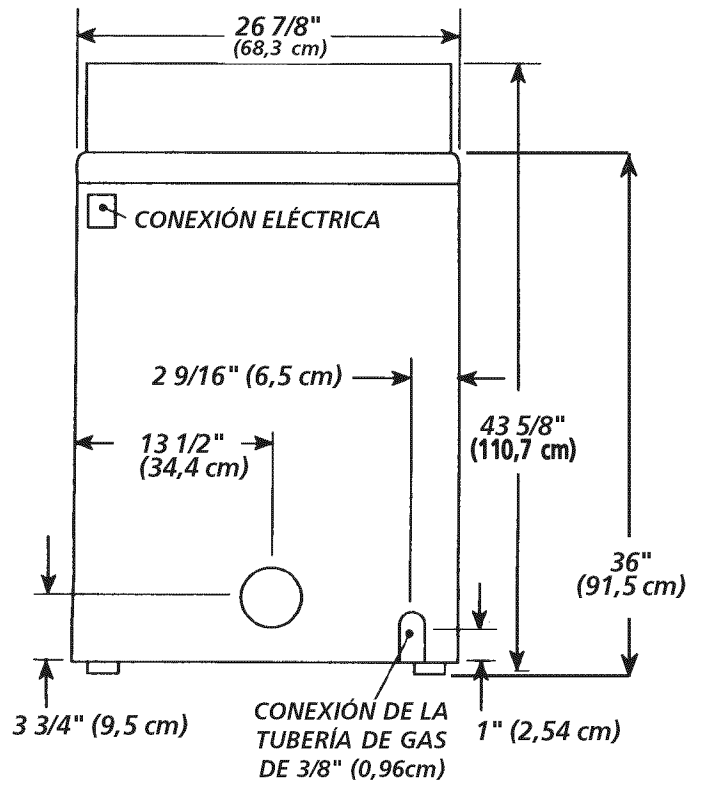
* Se requiere un mostrador hecho a medida.

**MODELOS DE DEBAJO
DE MOSTRADOR Y APILADORES
DIMENSIONES PARA LA INSTALACIÓN**

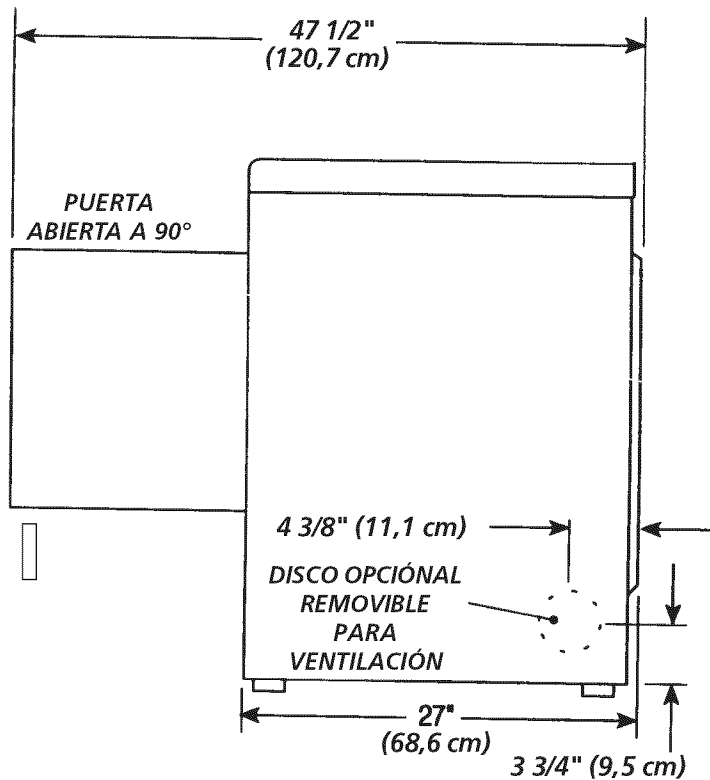


VISTA POSTERIOR

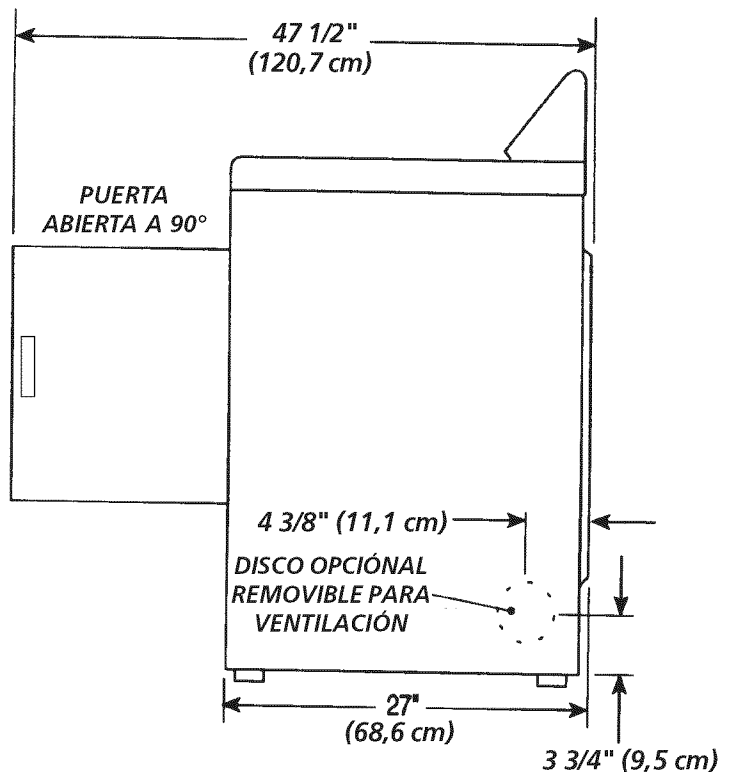
**MODELOS AUTÓNOMOS
CON CONSOLA SUPERIOR
DIMENSIONES PARA LA INSTALACIÓN**



VISTA POSTERIOR



VISTA LATERAL



VISTA LATERAL

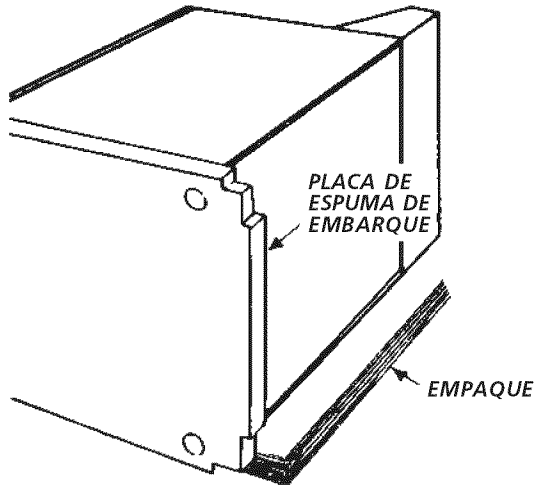
DESEMBALAJE

1. Utilizando las cuatro esquineras de embarque de la caja de cartón (dos a cada lado), coloque cuidadosamente la secadora sobre el costado izquierdo y saque la base de espuma de embarque.

⚠ ATENCION Para evitar daños, no use el panel de control como un medio para levantar o mover la secadora.

NOTA: En los modelos de secadoras encastradas, el panel superior puede ser removido para la instalación.

2. Vuelva la secadora a su posición vertical.



INSTALACIÓN

1. Conecte el ducto de escape al sistema de escape exterior. Utilice cinta para obturar todas las uniones.
2. Con la secadora en su posición definitiva, regule uno o más tornillos niveladores, hasta que la secadora repose firmemente sobre los cuatro tornillos. Coloque un nivel sobre la parte superior de la secadora. **LA SECADORA DEBE ESTAR A NIVEL Y REPOSAR SOLIDA Y FIRMEMENTE SOBRE LOS CUATRO TORNILLOS NIVELADORES.**
3. Conecte el cordón eléctrico a un tomacorriente puesto a tierra. **NOTA:** Asegúrese de que la corriente esté desconectada en el disyuntor/caja de fusibles, antes de conectar el cordón eléctrico en el tomacorriente.
4. Conecte la corriente en el disyuntor/caja de fusibles.

⚠ ATENCION Antes de poner en funcionamiento la secadora, asegúrese de que no haya materiales combustibles, gasolina y otros vapores inflamables cerca de la secadora. Además asegúrese de que no haya nada (tal como cajas, ropas, etc.) que obstruya el flujo del aire de combustión y ventilación.

5. Haga funcionar la secadora durante un ciclo completo para comprobar su buen funcionamiento.

NOTA: En las secadoras a gas, antes de encender el quemador es necesario purgar el aire de la tubería del gas. Si el quemador no enciende dentro de 45 segundos, cuando la secadora se enciende por primera vez, el interruptor de seguridad apagará el quemador. Si esto sucede, gire el contador de tiempo a la posición "OFF" (apagado) y espere 5 minutos antes de intentar encender la secadora nuevamente.

6. Si su secadora no funciona, consulte la sección "Lista de Control de Averías" que se encuentra en su Manual del Usuario, antes de llamar para obtener servicio.

7. Conserve estas instrucciones cerca de la secadora para referencia futura.

8. Para apilar su Secador en una Lavadora compatible llame a su distribuidor local para encontrar su distribuidor local y comprar el número de parte 5303937141 - accesorio de montaje.

NOTA: Dentro de la consola de la secadora o debajo del panel superior se encuentra un diagrama del cableado.

PIEZAS DE RECAMBIO

Si necesita obtener piezas de recambio para su secadora, póngase en contacto con el distribuidor donde compró su secadora.

⚠ ATENCION Cuando se reparan los controles, marque todos los cables con etiquetas antes de desconectarlos. Cualquier error de cableado puede causar una operación inadecuada y peligrosa. Asegúrese de que la secadora funcione adecuadamente después de repararla.

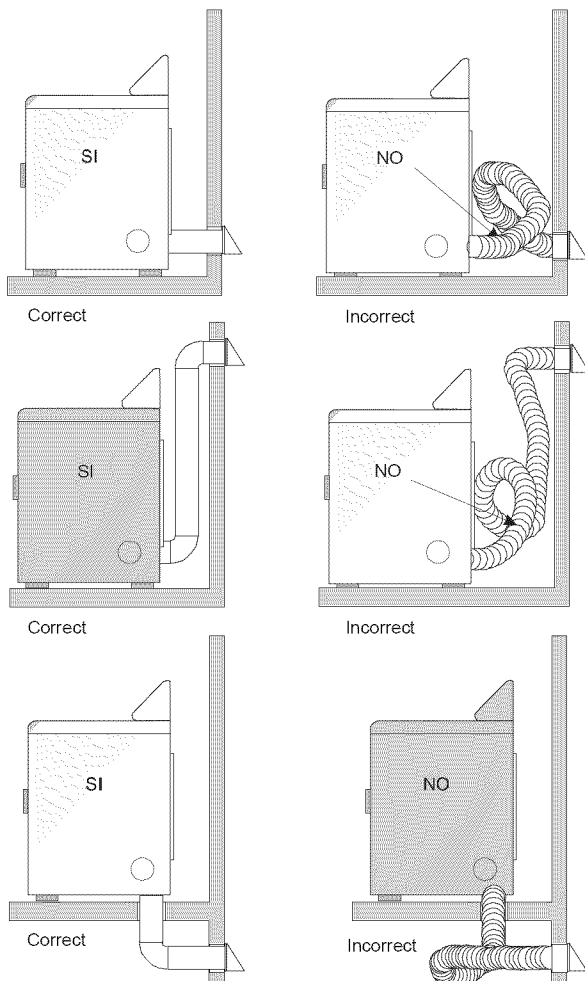
⚠ ADVERTENCIA Destruya la caja de cartón, las bolsas de plástico y la banda metálica después de haber desempacado el centro de lavandería. Los niños pueden ponerse a jugar con ellos. Las cajas de cartón cubiertas con alfombras, colchas o pedazos de plástico pueden convertirse en cámaras sin aire y causar asfixia. Elimine todos los materiales poniéndolos en la basura o fuera del alcance de los niños.

⚠ ADVERTENCIA Las instrucciones incluidas en este manual y en el resto de la documentación que se entrega con la secadora no pueden cubrir todas las situaciones o condiciones posibles que puedan presentarse. Por lo tanto, se **DEBEN** seguir prácticas seguras y tener cuidado cuando se instala cualquier artefacto doméstico.

INSTALACIÓN EN CASAS MÓVILES

1. El tubo de escape de la secadora **DEBE** ser instalado hacia el exterior (El escape debe colocarse en la parte exterior y no debajo de la casa móvil.) Debe usarse ducto de metal que no sea combustible. El ducto de metal debe tener cuatro pulgadas (10,16 cm) de diámetro y no tener obstrucciones. Es preferible usar ducto de metal que sea rígido.
2. Si el tubo de escape de la secadora corre a través del piso y el área debajo de la casa móvil es cerrada, el ducto de escape **DEBE** terminar fuera del recinto, con el extremo final asegurado en contra de la estructura de la casa móvil.
3. Al instalar una secadora de gas en una casa móvil, hay que instalar una provisión de aire fresco suplementario. La provisión tiene que ser más grande que dos veces el espacio del escape de la secadora.
4. Esta secadora **DEBE** asegurarse al piso. El juego para instalación en la casa móvil es el No. 169840 y lo puede adquirir con su distribuidor.
5. Veal as páginas 2 y 3 para otros requisitos importantes de ventilación.
6. La instalación **DEBE** cumplir con las estándares aplicables de la Manufactured Home Construction & Safety Standard - Estándares de Seguridad y Construcción de Casas Prefabricadas (Título 24 CFR - Parte 32-80 del Reglamento Federal) o cuando dichos estándares no sean aplicables, se deben cumplir con los estándares de la American National Standard for Mobile Homes (Estándares Nacionales Americanas para Viviendas Móviles). En Canadá se aplica el Estándar CSA Z240.

⚠ ADVERTENCIA Esta secadora ha sido diseñada **PARA USO DOMESTICO** solamente, de acuerdo con la norma ANSI Z 21.5.1.



PUERTA REVERSIBLE

Su secadora ha sido diseñada para que la puerta pueda ser cambiada de lado en cualquier momento sin necesidad de piezas adicionales. La conversión se hace transfiriendo las bisagras al lado opuesto del gabinete.

Cómo cambiar la dirección de apertura de la puerta:

1. Abra la puerta de la secadora. Quite los cuatro receptores del agujero de la bisagra del lado izquierdo de la apertura de la puerta. Colóquelos en un lugar cercano para futura instalación.

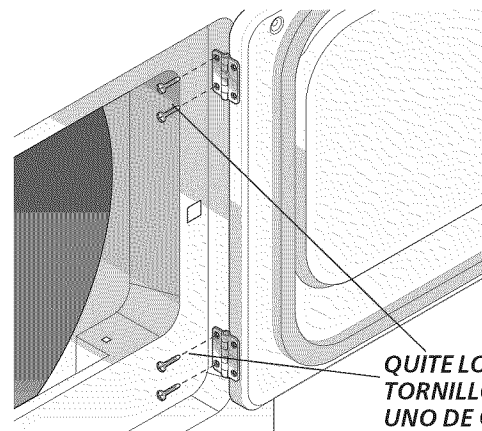
NOTA: Puede que se necesite un cuchillo de plástico para poder sacar los receptores. Tenga cuidado de no rayar la pintura.

2. Quite los cuatro tornillos que aseguran las bisagras de la puerta al panel frontal de la secadora (ver figura abajo).

NOTA: Primero quite un tornillo de cada una de las bisagras. Mantenga la puerta sujeta firmemente antes de quitar los dos últimos tornillos.

3. Gire la puerta 180° y vuelva a colocar las bisagras de la puerta en el panel frontal con los cuatro tornillos.

4. Instale los cuatro receptores de los agujeros de las bisagras en los agujeros abiertos en el lado derecho de la apertura de la puerta.



QUITE LOS CUATRO TORNILLOS (PRIMERO QUITE UNO DE CADA BISAGRA)

INSTALACIÓN ELÉCTRICA

TODAS las secadoras **ELÉCTRICAS**

⚠ ADVERTENCIA Los siguientes requerimientos son específicos para el funcionamiento correcto y seguro de su secadora. El incumplimiento de estas instrucciones puede causar prolongación excesiva del tiempo de secado y riesgos de incendio.

⚠ Este artefacto **DEBE** ser puesto a tierra de manera correcta. Si la secadora no está debidamente puesta a tierra se puede producir un choque eléctrico. Siga las instrucciones indicadas en este manual para la puesta a tierra en forma correcta.

⚠ No use un cordón de extensión con esta secadora. Algunos cordones de extensión no pueden soportar la cantidad de corriente eléctrica que utiliza esta secadora y pueden fundirse, creando un peligro de choque eléctrico y/o incendio. Ubique la secadora de manera que el cordón eléctrico llegue hasta el tomacorriente que se va a usar, dejando un poco de holgura para el cordón. Consulte los requerimientos de instalación preliminares indicados en este manual para el cordón eléctrico que debe ser adquirido.

⚠ Se debe instalar un anclaje aprobado por el U.L. para el cordón eléctrico. Si no se utiliza un anclaje para sujetar el cordón eléctrico, éste puede salirse de la secadora y cortarse con cualquier movimiento, resultando en un choque eléctrico.

⚠ No utilice un tomacorriente con cables de aluminio con un cordón y un enchufe de cobre (o viceversa). Se produce una reacción química entre el cobre y el aluminio que puede causar cortacircuitos. **El cableado y tomacorriente apropiado es un cordón eléctrico equipado con conductores de cobre con un tomacorriente con conductores de cobre.**

NOTA: Las secadoras que operan con un suministro de energía de 208 voltios usarán más tiempo de secado que aquellas que operan con un suministro de energía de 240 voltios.

REQUERIMIENTOS PARA LA PUESTA A TIERRA

Secadoras **ELÉCTRICAS** No canadienses

⚠ PELIGRO La conexión indebida del conductor de puesta a tierra del equipo puede ocasionar un riesgo de choque eléctrico. Consulte con un electricista profesional si tiene alguna duda respecto a la puesta a tierra correcta del artefacto.

Para una secadora puesta a tierra, con cordón eléctrico:

1. La secadora **DEBE** ser puesta a tierra. En caso de malfuncionamiento o falla, la puesta a tierra reducirá el riesgo de choque eléctrico proporcionando un trayecto de menor resistencia a la corriente eléctrica.
2. Si su secadora está equipada con un cordón eléctrico que posee un conductor de puesta a tierra del equipo y un enchufe de puesta a tierra, dicho enchufe **DEBE** ser conectado a un tomacorriente adecuado, debidamente instalado y puesto a tierra de acuerdo con todos los códigos y reglamentos locales. Si tiene alguna duda consulte a un electricista profesional.
No modifique el enchufe proporcionado la aplicación.

Para una secadora conectada permanentemente:

1. La secadora **DEBE** ser conectada a un sistema de cableado metálico permanente, puesto a tierra; o se debe instalar un conductor de puesta a tierra de equipo junto con los conductores del circuito y conectarse al borne de puesta a tierra del equipo o al cable del artefacto.

Secadoras **ELÉCTRICAS** canadienses

⚠ PELIGRO La conexión indebida del conductor de puesta a tierra del equipo puede ocasionar un riesgo de choque eléctrico. Consulte con un electricista profesional si tiene alguna duda respecto a la puesta a tierra correcta del artefacto.

Para una secadora puesta a tierra, con cordón eléctrico:

1. La secadora **DEBE** ser puesta a tierra. En caso de malfuncionamiento o falla, la puesta a tierra reducirá el riesgo de choque eléctrico proporcionando un trayecto de menor resistencia a la corriente eléctrica.
2. Si su secadora está equipada con un cordón eléctrico que posee un conductor de puesta a tierra del equipo y un enchufe de puesta a tierra, dicho enchufe **DEBE** ser conectado a un tomacorriente adecuado, debidamente instalado y puesto a tierra de acuerdo con todos los códigos y reglamentos locales. Si tiene alguna duda consulte a un electricista profesional.
No modifique el enchufe proporcionado la aplicación.

TODAS las secadoras a **GAS**

Esta secadora está equipada con un enchufe de tres espigas (de puesta a tierra) para protección en contra de choques eléctricos y debe ser conectada directamente en un receptáculo para tres espigas el cual debe estar puesto a tierra. No corte ni elimine la espiga de puesta a tierra de este enchufe.

CONEXIÓN DEL GAS (Secadoras a gas solamente)

Saque la tapa de embarque de la tubería de gas de la secadora situada en la parte trasera.

NOTA: NO conecte la secadora al suministro de propano, sin primero instalar el juego de conversión a propano. El juego de conversión a propano debe ser instalado por un técnico de gas calificado.

Conecte una tubería semirígida de 1/2" (1,27 cm) D.I. o una tubería aprobada, desde la línea de suministro de gas a la tubería de 3/8" (0,96 cm) ubicada en la parte trasera de la secadora. Utilice un reductor de 1/2" (1,27 cm) a 3/8" (0,96 cm) para la conexión.

Aplique un sellador de roscas de uso aprobado, resistente a la corrosión de los gases licuados, en todas las uniones de la tubería.

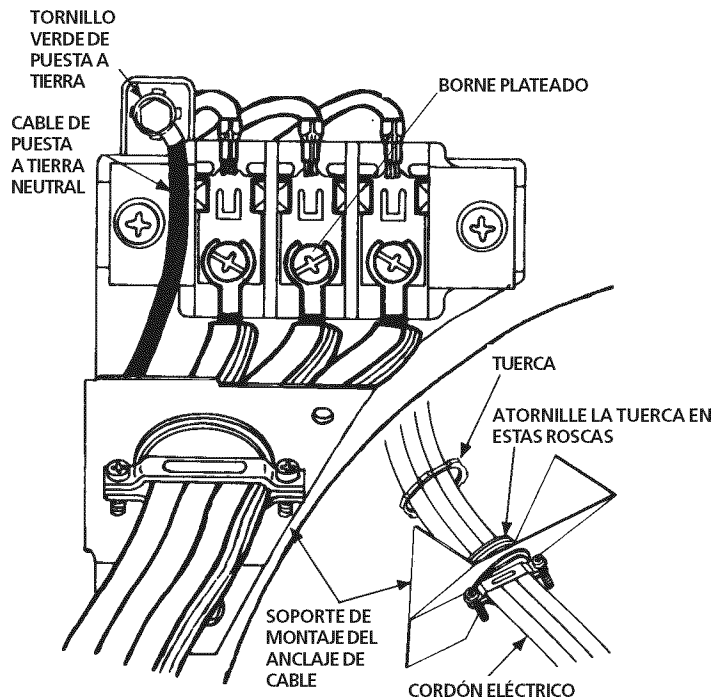
Abra la válvula de cierre en la tubería de suministro de gas. Pruebe todas las conexiones aplicando con una escobilla una solución jabonosa.

NUNCA UTILICE UNA LLAMA ABIERTA PARA DETECTAR FUGAS DE GAS.

CONEXIONES ELÉCTRICAS PARA UN SISTEMA TRIFILAR

Secadoras ELÉCTRICAS No canadienses

1. Saque los tornillos que sujetan la cubierta de acceso del tablero de bornes y el soporte de montaje del anclaje del cordón, situado en la esquina superior de la parte trasera de la secadora.
2. Instale un anclaje de cable aprobado por el U.L., en el orificio de entrada del cordón eléctrico en el soporte de montaje. Luego apriete la tuerca con los dedos solamente.



3. Inserte un cordón eléctrico de 30 amp, NEMA 10-30 Tipo SRDT, aprobado por el U.L., a través del anclaje de cable.
4. Conecte el conductor neutro del cordón eléctrico (cable central) al borne central plateado del tablero de bornes. Apriete firmemente el tornillo.
5. Conecte los dos conductores externos restantes del cordón eléctrico a los bornes bronceados externos del tablero de bornes. Apriete firmemente los tornillos.

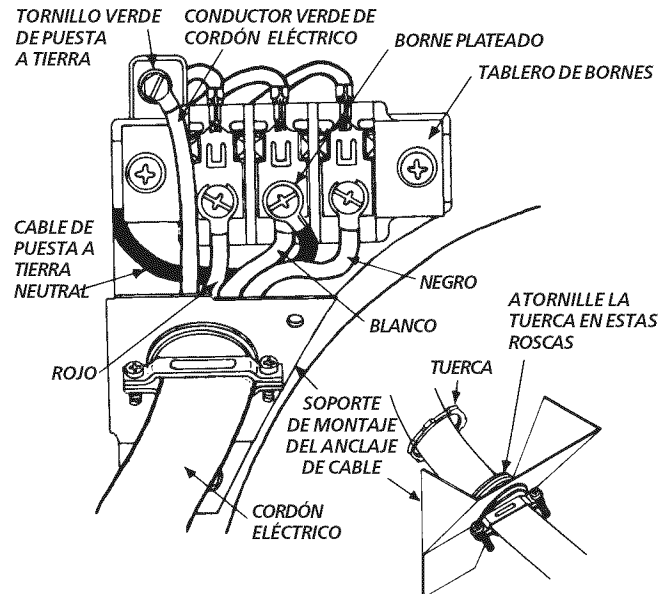
⚠ ADVERTENCIA No doble en forma pronunciada ni engarce los cables/conductores en las conexiones.

6. Coloque nuevamente el soporte de montaje del anclaje de cable en la parte trasera de la secadora con dos tornillos. Apriete firmemente los tornillos.
7. Apriete firmemente los tornillos del anclaje de cable contra el cordón eléctrico.
8. Apriete la tuerca del anclaje de cable a fin de que el anclaje no gire.
9. Coloque nuevamente la cubierta del tablero de bornes.

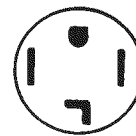
CONEXIONES ELÉCTRICAS PARA UN SISTEMA TETRAFILAR

Secadoras ELÉCTRICAS No canadienses

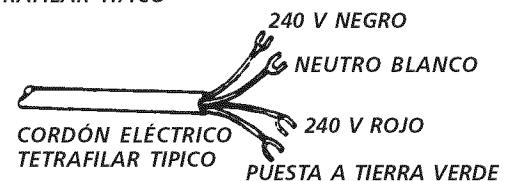
1. Saque los tornillos que sujetan la cubierta de acceso del tablero de bornes y el soporte de montaje del anclaje de cable situado en la esquina superior en la parte trasera de la secadora.
2. Instale un anclaje de cable aprobado por el U.L., en el orificio de entrada del cordón eléctrico en el soporte de montaje. Luego apriete la tuerca con los dedos solamente.



3. Desconecte el cable de puesta a tierra neutral del tornillo verde de puesta a tierra situado en la parte superior del tablero de bornes.
4. Inserte un cordón eléctrico tetrafilar de 30 amp, NEMA 10-30 Tipo ST o SRDT, aprobado por el U.L., a través del anclaje de cable.



TOMACORRIENTE TETRAFILAR TÍPICO



CORDÓN ELÉCTRICO DE 30 AMP NEMA 14-30 TIPO SRDT O ST

5. Conecte el cable verde de puesta a tierra del cordón eléctrico al gabinete mediante el tornillo verde de puesta a tierra.
 6. Conecte el conductor blanco (neutro) del cordón eléctrico y el cable de puesta a tierra neutro del mazo de cables de la secadora al borne plateado central del tablero de bornes.
 7. Conecte los conductores rojo y negro del cordón eléctrico a los bornes bronceados externos del tablero de bornes.
- ⚠ ADVERTENCIA** No doble en forma pronunciada ni engarce los cables/conductores en las conexiones.
8. Apriete firmemente los tornillos del anclaje de cable contra el cordón eléctrico.
 9. Apriete la tuerca del anclaje de cable a fin de que el anclaje no gire.
 10. Coloque nuevamente la cubierta del tablero de bornes.