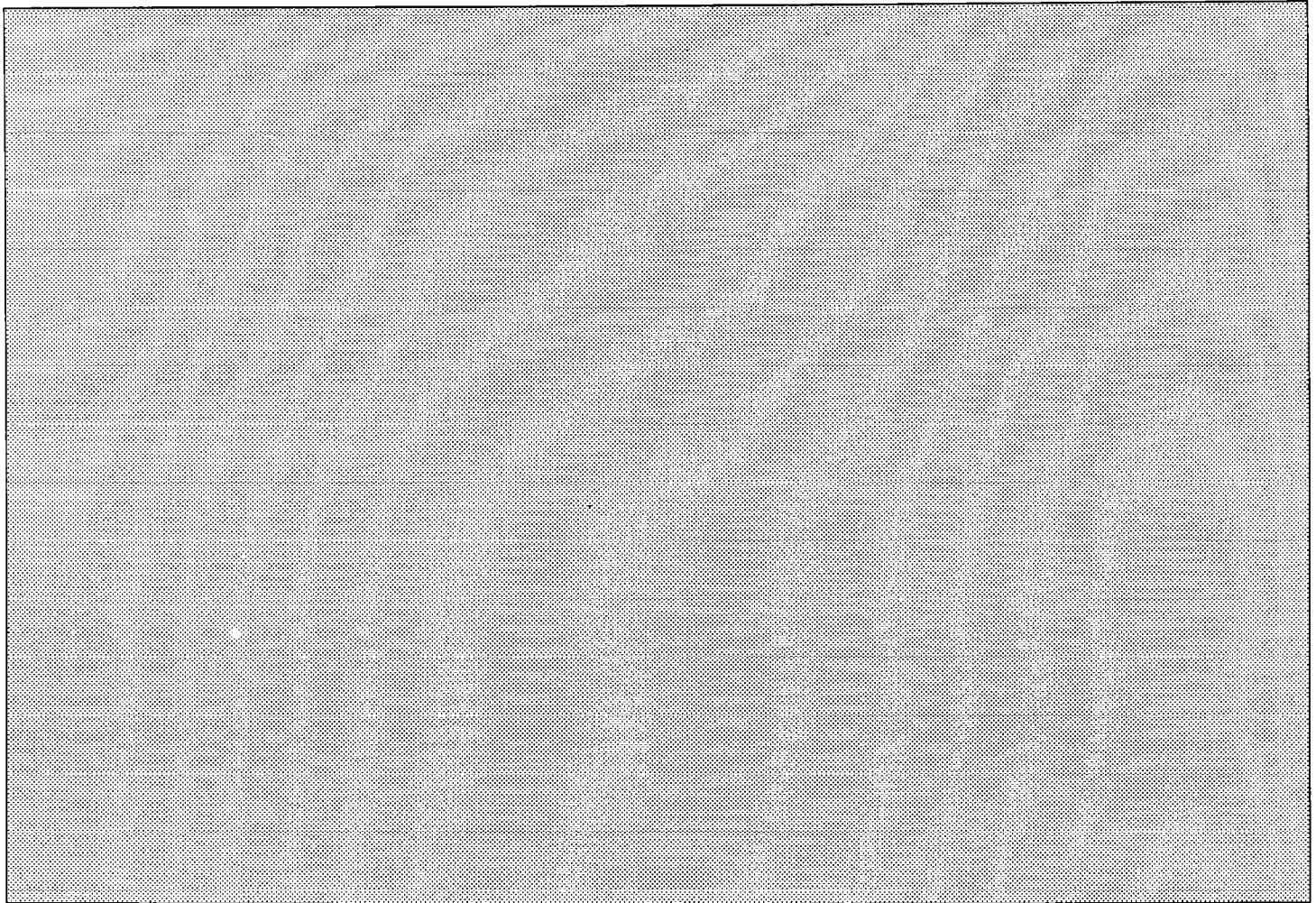


Installation Instructions



Part No. 1159565

Air Conditioner

IMPORTANT

Installer: Leave Installation Instructions with the homeowner.

Homeowner: Keep Installation Instructions for future reference.

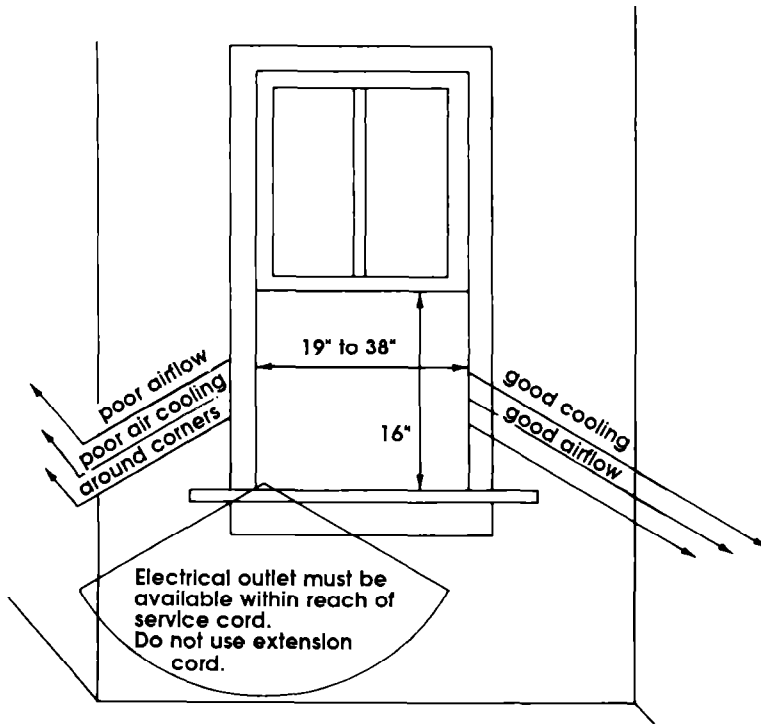
Save Installation Instructions for local electrical inspector's use.

Before you start...

Proper installation is your responsibility. Make sure you have everything necessary for correct installation. It is the customer's responsibility to comply with the installation specifications provided.

Grounded electrical outlet within reach of the power supply cord is required. See Electrical requirements.

Important: Observe all governing codes and ordinances.



Check location where air conditioner will be installed. The location should provide:

- A window large enough,
- Adequate wall support for weight of air conditioner,
- An electrical outlet within reach of the power supply cord,
- Free movement of air to rooms to be cooled.

Note:

It is the customer's responsibility:

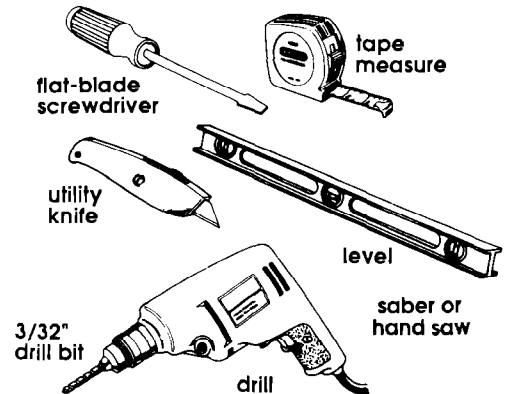
- To contact a qualified electrical installer.
- To assure that electrical installation is adequate and in conformance with National Electrical Code, ANSI/NFPA 70-latest edition and all local codes and ordinances.

⚠ WARNING

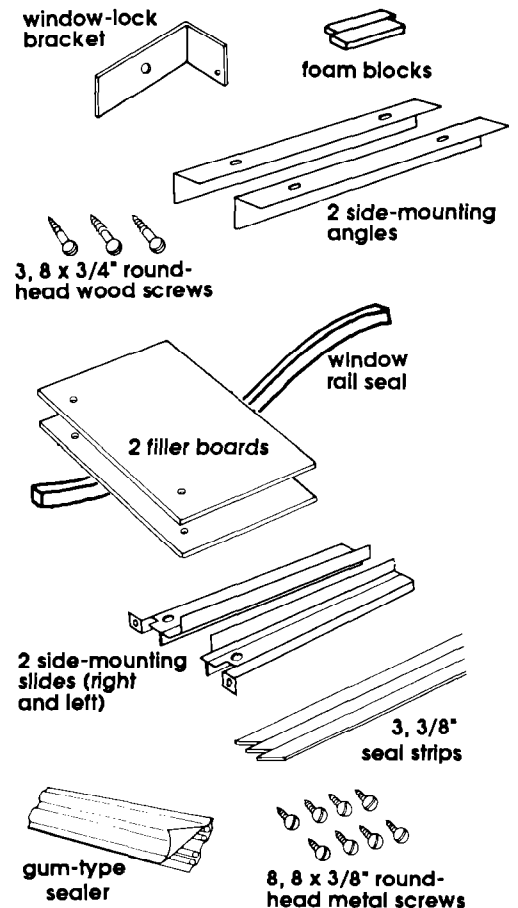
Personal Injury/Product Damage Hazard

- Because of the weight and size of the air conditioner, more than one person is needed to move, lift and safely install it.
 - Handle air conditioner with care. Metal fins on front and rear coils are sharp.
 - Do Not use the water that collects inside the air conditioner for drinking purposes. It is not sanitary.
 - Maintain a firm hold on the air conditioner to prevent it from falling out the window during installation.
 - Do Not locate air conditioner where cabinet front is exposed to a heat source that raises the surface temperature above 120°F.
- Failure to follow these instructions could result in personal injury or damage to air conditioner.

Tools and materials needed for installation:



Parts supplied for installation:



Installation parts are supplied for double-hung windows up to 38 inches wide. Installation up to 54 inches can be made with a special, wide window kit available from your dealer or service center.

Electrical requirements

⚠ WARNING

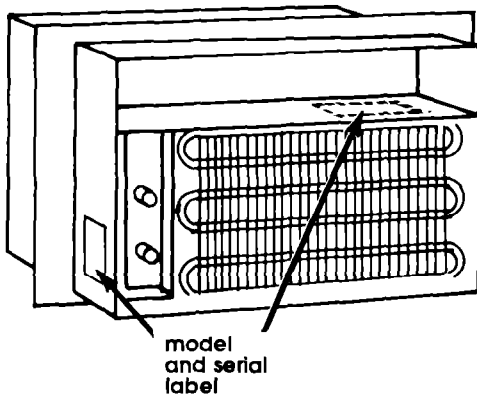
Electrical Shock Hazard

- Electrical ground is required on this appliance.
- Improper connection of the equipment-grounding conductor line can result in electrical shock.
- Check with a qualified electrician if you are in doubt as to whether the appliance is properly grounded. Do Not modify the plug on the power supply cord. If it will not fit the outlet, have a proper outlet installed by a qualified electrician.
- Do Not use an extension cord with this appliance. Such use may result in a fire, electrical shock or other personal injury.
- Do Not have a fuse in the neutral or grounding circuit. A fuse in the neutral or grounding circuit could result in an electrical shock.

Failure to follow these instructions could result in electrical shock.

A three-wire, single-phase, 60-Hz, AC only, electrical supply is required on a separate circuit. A 15-amp time-delay fuse or circuit breaker is required. Do Not fuse neutral side of line. Copper wire (#14-gauge) is required. The fuse size must not exceed the circuit rating specified on the model and serial label.

The model and serial label is located on the left side panel, or behind the front panel above the coil.



Specific electrical requirements are listed in the chart. Follow the requirements for the type of plug on the power supply cord.

Wiring requirements

Recommended grounding method

Do Not, under any circumstances, remove the power supply cord grounding prong.

Plug Type A	Plug Type B
<p>3-prong grounding-type wall receptacle.</p> <p>3-prong grounding plug</p> <p>grounding prong</p> <p>power supply cord</p>	<p>receptacle</p> <p>1/4" blade</p> <p>small tandem blades</p> <p>grounding prong</p>
115-volt - 103.5v min., 126.5v max.	230/208 volt- 197.6v min., 253v max
7.5-amp ratings or less — a double outlet is acceptable.	12-amp rating or less — use a single outlet and a separate circuit.
7.6 through 12-amp ratings — use only a single outlet and separate circuit.	

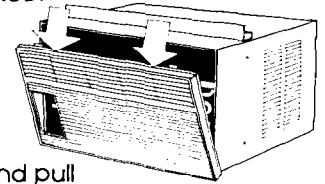
For your personal safety, this appliance must be grounded. This appliance is equipped with a power supply cord having a 3-prong grounding plug. To minimize possible shock hazard, the cord must be plugged into a mating, 3-prong grounding-type wall receptacle, grounded in accordance with the National Electrical Code, ANSI/NFPA 70-latest edition, and all local codes and ordinances. If a mating wall receptacle is not available, it is the personal responsibility and obligation of the customer to have a properly grounded, 3-prong wall receptacle installed by a qualified electrician.

Now start...

with air conditioner in room where it will be installed.

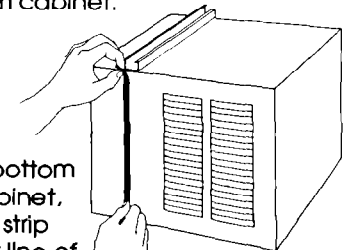
1.

Push down on front panel and pull panel towards you to remove from cabinet.



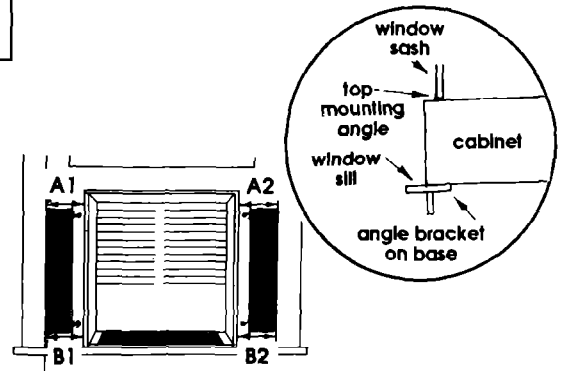
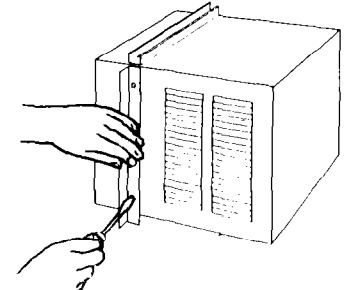
2.

Starting at bottom edge of cabinet, attach seal strip over center line of pre-drilled holes on right and left sides of air conditioner cabinet.



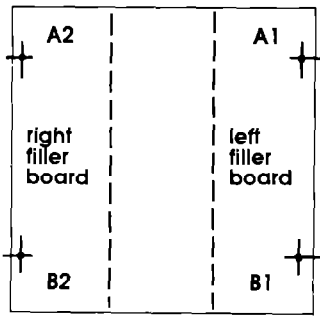
3.

Place the right side-mounting angle over seal strip so that flange faces cabinet front. Insert sheet metal screws starting with bottom slot. Slide mounting angle downward until screws are in top of slots. Tighten screws. Repeat for left side-mounting angle, making sure flange faces cabinet front. (Note: Side-mounting angles may be factory-installed on some models.)

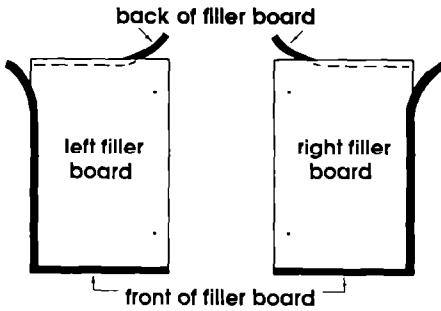


4.

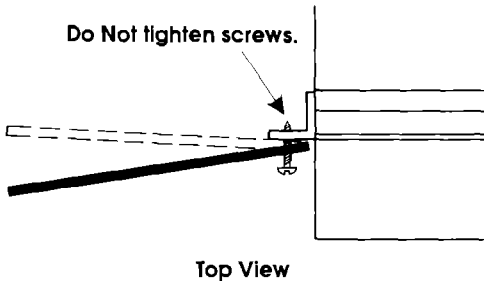
Place cabinet in window. Lower sash (window frame) to hold cabinet in place. Measure the distance between the side of the cabinet and the inside of the window channel at the top and bottom of the cabinet. Adjust the cabinet until the distance on each side (top and bottom) is the same and the cabinet is centered in the window. Write down the final measurement.



5. Subtract 1/8" from both open area measurements. Use a saber or hand saw to cut filler boards on the side opposite the holes.



6. Apply seal strips to bottom and outside of filler boards. The top seal goes on back side of filler board.



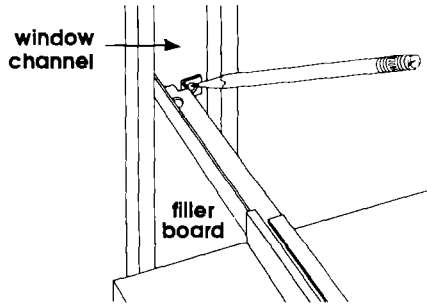
7. Pull cabinet part way out of window. Attach one filler board to side mounting angle using sheet metal screws. Do Not tighten screws at this time.

8. Place cabinet back into the window with filler board tight against the window channel.

9. Insert other filler board into window channel on opposite side of cabinet. Push filler board against side-mounting angle and attach filler board using sheet metal screws. Do Not tighten screws at this time.

10. Reach through window opening and push filler boards from the outside as far forward in the window channels as possible.

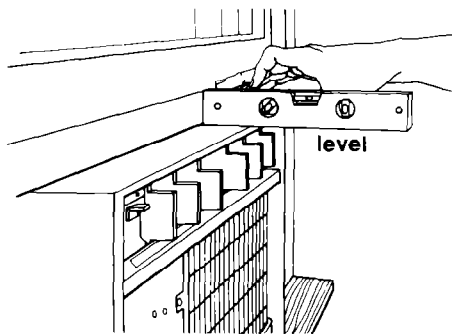
11. Measure the distance between the window channel edge and filler boards. Cut foam blocks 1/4" wider. Insert blocks into channel behind filler boards.



12. Lift sash and place side-mounting slides into top-mounting channel. Extend mounting slides outward into window channels. Pull air conditioner slightly forward until side mounting slides are tight against window channels. Mark and make 3/32" pilot holes for wood screws. Secure slides to window channels with wood screws.

CAUTION

Floor Damage
Check that air conditioner cabinet is filled to the outside so that water will run to the outside.
Failure to do so may cause damage to floor covering.



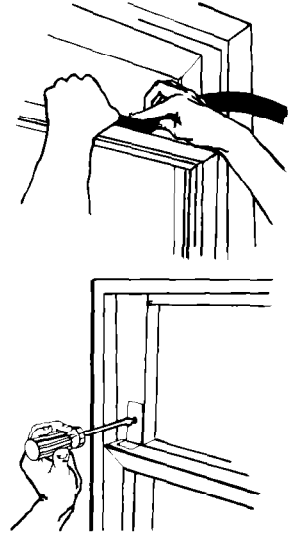
13. Lower window sash behind top-mounting channel. Place level on top of right side of cabinet. There should be a tilt to the outside of approximately one-half bubble. Place level on left side and check. If cabinet is not properly positioned, reposition or shim cabinet to provide proper tilt. Tighten filler board screws.

WARNING

Personal Injury/Product Damage Hazard

Install window-lock bracket to prevent air conditioner from falling out of window.

Failure to do so could result in personal injury or product damage.



14. Insert window rail seal behind top of lower window sash and against glass of upper window. Place window-lock bracket on top of lower window and against upper window sash. Use a 3/32" drill bit to make pilot hole. Attach window bracket. Seal small openings around window with gum-type sealer.

15. Place bottom edge of front panel on clips and push down. Push panel into cabinet until panel snaps in place. Plug power supply cord into electrical outlet.

If your air conditioner is not operating properly...

Check that circuit breaker is not tripped or fuse blown. Check that power supply cord is securely plugged into electrical outlet.

If you need assistance...

When you call, you will need the air conditioner model number and serial number. Both numbers are found on the the model and serial label, located on the left side panel, or behind the front panel above the coil. (See page 3.)