

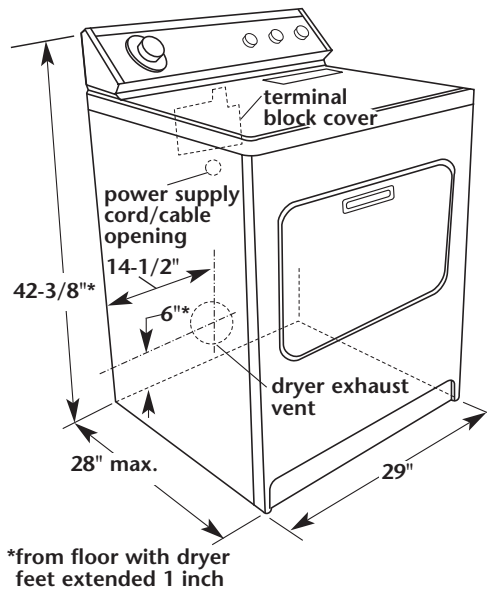
## PRODUCT MODEL NUMBERS

GEQ9858J	LEQ8000J	LER3624D	LER5700K
GEW9878J	LEQ8100K	LER4634J	LER6611L
GEX9868J	LEQ8800J	LER5620K	LER6638E
LEB6000K	LEQ8857J	LER5634E	LER7620K
LEN2000J	LEQ8858J	LER5634L	LER7646E
LEN2000K	LEQ9508K	LER5636E	LER7646J
LEQ5000K	LEQ9557K	LER5636J	LER7648K
LEQ7000K	LEQ9558K	LER5636K	
LEQ7030K	LER2614J	LER5644J	

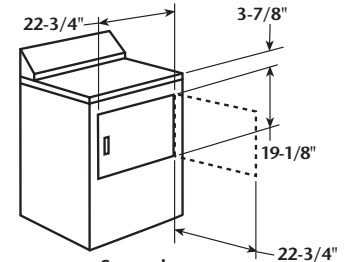
**Electrical:** A four-wire or three-wire, single phase, 120/240-volt, 60-Hz, AC-only, electrical supply is required on a separate 30-ampere circuit, fused on both sides of the line. Use 10 gauge solid copper wire. A time-delay fuse or circuit breaker is recommended.

**Exhaust venting:** Exhaust your dryer to the outside. Four-inch diameter vent is required. Rigid or flexible metal exhaust vent must be used. Do not use plastic or metal foil vent. Exhaust outlet hood must be at least 12 inches from the ground or any object that may be in the path of the exhaust.

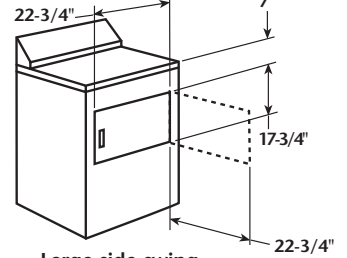
## OVERALL DIMENSIONS



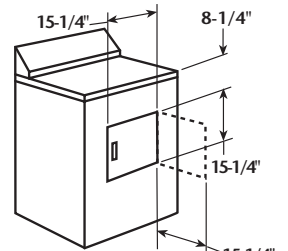
## DOOR CLEARANCE DIMENSIONS



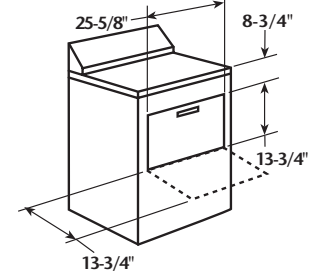
Super-large side-swing door (reversible)



Large side-swing door (reversible)



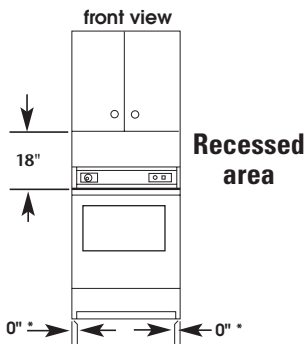
Small side-swing door



Extra-large hamper door

## RECESSED AREA AND CLOSET INSTALLATION

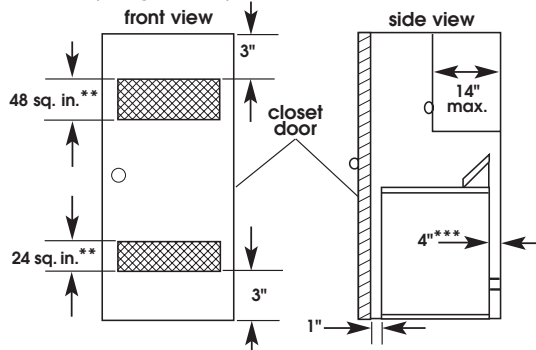
	Recommended/Minimum			
	Back	Sides	Top	Front
Recessed	5"/0"	1"/0"	18"/18"	—
Closet	5"/4"	1"/0"	18"/18"	1"/1"



\*Wall, door and floor molding may require additional spacing.

### Closet confined area

If a closet door is installed: The minimum unobstructed air openings are required. Louvered doors with equivalent air openings are acceptable.

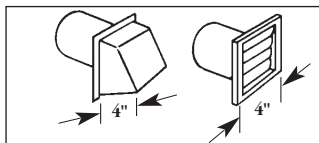


\*\* Minimum top and bottom air openings for closet door.

\*\*\* External exhaust elbow requires additional space.

## EXHAUST VENTING

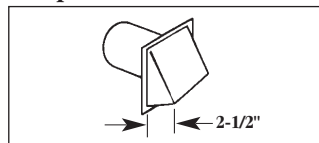
### Preferred



When you have a 4" hood

Number of 90° elbows	Maximum length of 4" diameter metal vent	
	Rigid	Flexible (fully extended)
0	64 ft.	36 ft.
1	54 ft.	31 ft.
2	44 ft.	27 ft.
3	35 ft.	25 ft.
4	27 ft.	23 ft.

### Acceptable



When you have a 2-1/2" hood

Number of 90° elbows	Maximum length of 4" diameter metal vent	
	Rigid	Flexible (fully extended)
0	58 ft.	28 ft.
1	48 ft.	23 ft.
2	38 ft.	19 ft.
3	29 ft.	17 ft.
4	21 ft.	15 ft.

Select the route that will provide the straightest and most direct path outdoors. Plan the installation to use the fewest number of elbows and turns. Avoid making 90° turns.

When using elbows or making turns, allow as much room as possible. Bend flexible metal vent gradually to avoid kinking.

### Determine vent length

1. See the exhaust vent length chart that matches your type hood for the maximum vent lengths you can use.

**Do not use vent runs longer than specified in exhaust vent length charts.**

2. Determine the number of elbows you will need.

3. In the column listing the type of metal vent you are using (rigid or flexible), find the maximum length of metal vent on the same line as the number of elbows.

**The maximum length using a 2" x 6" rectangular vent with 2 elbows and a 2-1/2" exhaust hood is 8 ft.**