

# 30" DUAL FUEL SLIDE-IN RANGE INSTALLATION INSTRUCTIONS

(Models with an Electric Oven and a Gas Cooktop)



**INSTALLATION AND SERVICE MUST BE PERFORMED BY A QUALIFIED INSTALLER.**

**IMPORTANT: SAVE FOR LOCAL ELECTRICAL INSPECTOR'S USE. READ AND SAVE THESE INSTRUCTIONS FOR FUTURE REFERENCE.**

**⚠ WARNING** If the information in this manual is not followed exactly, a fire or explosion may result causing property damage, personal injury or death.

**FOR YOUR SAFETY:**

- Do not store or use gasoline or other flammable vapors and liquids in the vicinity of this or any other appliance.
- **WHAT TO DO IF YOU SMELL GAS:**
  - Do not try to light any appliance.
  - Do not touch any electrical switch; do not use any phone in your building.
  - Immediately call your gas supplier from a neighbor's phone. Follow the gas supplier's instructions.
  - If you cannot reach your gas supplier, call the fire department.
- Installation and service must be performed by a qualified installer, service agency or the gas supplier.

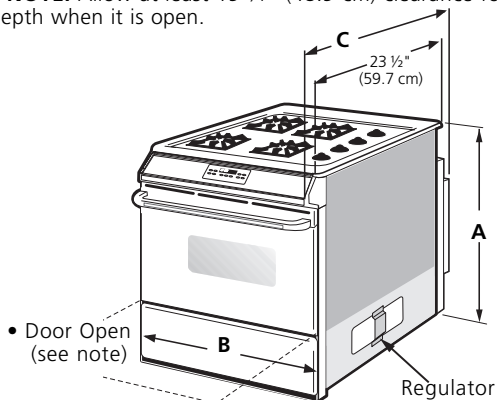
Do not pinch the power supply cord or the flexible gas conduit between the range and the wall.

Do not seal the range to the side cabinets.

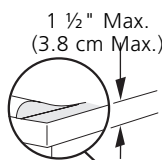
**\*\*NOTE:** 30" (76.2 cm) minimum clearance between the cooktop and the bottom of the cabinet when the bottom of wood or metal cabinet is protected by not less than ¼" (0.64 cm) flame retardant millboard covered with not less than No. 28 MSG sheet metal, 0.015" (0.4 mm) stainless steel, 0.024" (0.6 mm) aluminum, or 0.020" (0.5 mm) copper.

36" (91.4 cm) minimum clearance when the cabinet is unprotected.

• **NOTE:** Allow at least 19 ¼" (48.9 cm) clearance for door depth when it is open.



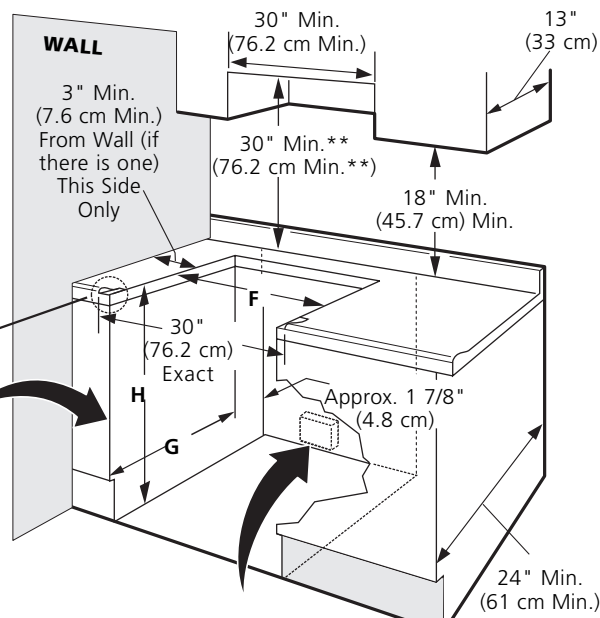
Shave Raised Edge to Clear 30" (76.2 cm) Wide Cooktop Rim.



Locate Cabinet Doors 1" (2.5 cm) Min. from Cutout Opening.

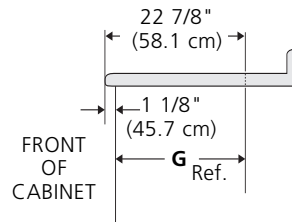
\*Note: 29" (73.7 cm) Wide Opening for Overlapping Cooktop and Built-in Look.

If Installing Model With Optional Side Panels, Cutout Area Including Countertop Must Be At Least 30" (76.2 cm) Wide.



Grounded Junction Box or Wall Outlet Should Be Located 8" to 17" (20.3 cm to 43.2 cm) From Right Cabinet and 2" to 4" (5.1 cm to 10.2 cm) From Floor.

A. HEIGHT	B. WIDTH	C. DEPTH TO FRONT OF RANGE	F. MINIMUM CUTOUT WIDTH	G. CUTOUT DEPTH	H. HEIGHT OF COUNTERTOP
35 3/8" (90 cm) - 36 3/8" (92 cm)	30" (76.2 cm)	26 1/4" (66.7 cm)	29" (73.7 cm)	21 3/4" (55.2 cm)	36" (91.4 cm) standard 35 3/8" (90 cm) min.



G. Minimum Cutout Depth is increased to 24" (61 cm) with backguard.

**NOTE:** Wiring diagram for these appliances are enclosed in this booklet.

P/N 318201664 (0307) Rev. A  
 English – pages 1-11  
 Español – páginas 12-22  
 Notes - 23  
 Wiring Diagrams - pages 24

# 30" DUAL FUEL SLIDE-IN RANGE INSTALLATION INSTRUCTIONS

(Models with an Electric Oven and a Gas Cooktop)

## Important Notes to the Installer

1. Read all instructions contained in these installation instructions before installing range.
2. Remove all packing material from the oven compartments before connecting the gas and electrical supply to the range.
3. Observe all governing codes and ordinances.
4. Be sure to leave these instructions with the consumer.

## Important Note to the Consumer

Keep these instructions with your owner's guide for future reference.

# IMPORTANT SAFETY INSTRUCTIONS

Installation of this range must conform with local codes or, in the absence of local codes, with the National Fuel Gas Code ANSI Z223.1—latest edition, in United States or with CAN/CGA-B149.1 and CAN/CGA-B149.2 standards in Canada.

This range has been design certified by the American Gas Association. As with any appliance using gas and generating heat, there are certain safety precautions you should follow. You will find them in the [Use and Care Guide](#), read it carefully.

- **Be sure your range is installed and grounded properly by a qualified installer or service technician.**
- **This range must be electrically grounded in accordance with local codes or, in their absence, with the National Electrical Code ANSI/NFPA No. 70—latest edition in United States** (see Grounding Instructions) **or with CSA standard C22.1, Canadian Electrical Code, Part 1 in Canada.**
- The installation of appliances designed for manufactured (mobile) home installation must conform with Manufactured Home Construction and Safety Standard, title 24CFR, part 3280 [Formerly the Federal

Standard for Mobile Home Construction and Safety, title 24, HUD (part 280)] or when such standard is not applicable, the Standard for Manufactured Home Installation 1982 (Manufactured Home Sites, Communities and Setups), ANSI Z225.1/NFPA 501A—latest edition, or with local codes in United States or with CAN/CSA-Z240 MH, in Canada.

- **Make sure the wall coverings around the range can withstand the heat generated by the range.**
- **Before installing the range in an area covered with linoleum or any other synthetic floor covering, make sure the floor covering can withstand heat at least 90°F (32.2°C) above room temperature without shrinking, warping or discoloring.** Do not install the range over carpeting unless you place an insulating pad or sheet of ¼" (0.6 cm) thick plywood between the range and carpeting.
- **Do not obstruct the flow of combustion air at the oven vent nor around the base or beneath the lower front panel of the range.** Avoid touching the vent openings or nearby surfaces as they may become hot while the oven is in operation. This range requires fresh air for proper burner combustion.

**⚠ WARNING** Never leave children alone or unattended in the area where an appliance is in use. As children grow, teach them the proper, safe use of all appliances. Never leave the oven door open when the range is unattended.

**⚠ WARNING** Stepping, leaning or sitting on the doors or drawers of this range can result in serious injuries and can also cause damage to the range.

- **Do not store items of interest to children in the cabinets above the range.** Children could be seriously burned climbing on the range to reach items.
- **To eliminate the need to reach over the surface burners, cabinet storage space above the burners should be avoided.**
- **Adjust surface burner flame size so it does not extend beyond the edge of the cooking utensil.** Excessive flame is hazardous.
- **Do not use the oven as a storage space.** This creates a potentially hazardous situation.
- **Never use your range for warming or heating the room.** Prolonged use of the range without adequate ventilation can be dangerous.
- **Do not store or use gasoline or other flammable vapors and liquids near this or any other appliance.** Explosions or fires could result.
- In the event of an electrical power outage, the surface burners can be lit manually. To light a surface burner, hold a lit match to the burner head and slowly turn the Surface Control Knob to LITE. Use caution when lighting surface burners manually.
- **Reset all controls to the "off" position after using a programmable timing operation.**

	<b>⚠ WARNING</b> <ul style="list-style-type: none"><li>• All ranges can tip.</li><li>• Injury to persons could result.</li><li>• Install anti-tip device packed with range.</li></ul>	<b>⚠ WARNING</b> To reduce the risk of tipping of the range, the range must be secured by properly installed anti-tip bracket provided with the range. To check if the bracket is installed properly, grasp the top rear edge of the range and carefully tilt it forward to make sure the range is anchored.

# 30" DUAL FUEL SLIDE-IN RANGE INSTALLATION INSTRUCTIONS

(Models with an Electric Oven and a Gas Cooktop)

**⚠ WARNING CANADA ONLY :** This appliance is equipped with a 4-prong grounding plug for your protection against shock hazard, and should be plugged directly into a properly grounded receptacle. Do not cut or remove the ground prong from this plug.

## FOR MODELS WITH SELF-CLEAN FEATURE:

- Remove broiler pan, food and other utensils before self-cleaning the oven. Wipe up excess spillage. Follow the precleaning instructions in the Use and Care Guide.

## 1. Power Supply Cord Kit (U.S.A.)

The user is responsible for connecting the power supply cord to the connection block located behind the back panel access cover.

This appliance may be connected by means of permanent "hard wiring" (flexible armored or nonmetallic shielded copper cable), or by means of a power supply cord kit. Only a power supply cord kit rated at 125/250 volts minimum, 40 amperes and marked for use with ranges shall be used. See chart (below) for cord kit connection opening size rating information. Cord must have either 3 or 4 conductors.

For mobile homes, new installations, recreational vehicles, or areas where local codes do not permit grounding through neutral, a 4 conductor power supply cord kit rated at 125/250 volts minimum, 40 amperes and marked for use with ranges should be used (see Figure 5).

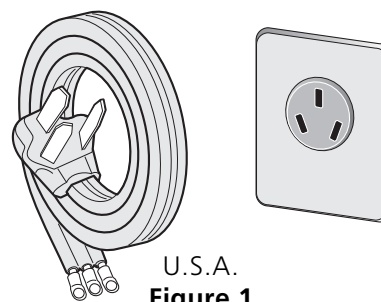
Terminals on end of wires must be either closed loop or open-end spade lugs with upturned ends. Cord must have strain-relief clamp.

See below for 3 or 4 conductor wire connection.

Range Connection Opening Size Chart				
Refer to chart below for range connection opening size and power supply cord kit ampere rating information. See serial plate on range for kilowatt rating data.				
See serial Plate on Range for Kw Rating		Cord Kit Ampere Rating	Diameter (inches (cm)) of Range Connection	
120/240 Volts	120/208 Volts		Cord Kit	Direct Connection
0-16.5 Kw 16.6-22.5 Kw	0-12.5 Kw 12.6-18.5 Kw	40 Amp. 50 Amp.	1 <sup>3</sup> / <sub>8</sub> (3.5) 1 <sup>3</sup> / <sub>8</sub> (3.5)	1 <sup>1</sup> / <sub>8</sub> (2.9) 1 <sup>3</sup> / <sub>8</sub> (3.5)

**NOTE:** Dual fuel Slide-in Range is shipped from factory with 1 1/8" (2.9 cm) dia. hole as shown on figure 4. If a larger hole is required, punch out the knockout.

**⚠ WARNING** Risk of fire or electrical shock exists if an incorrect size range cord kit is used, the Installation Instructions are not followed, or the strain relief bracket is discarded.

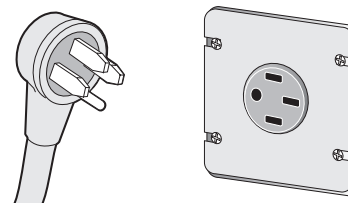


U.S.A.  
Figure 1

**⚠ CAUTION** Do not loosen the nuts which secure the factory-installed range wiring to terminal block while connecting range. Electrical failure or loss of electrical connection may occur.

## 2. Factory Connected Power Supply Cord (Canada only)

This range is equipped with a factory-connected power cord (see Figure 2). Cord must be connected to a grounded 120/240 volt or 120/208 volt range outlet. If not outlet is available, have one installed by a qualified electrician.



Canada Style  
Figure 2

## ⚠ WARNING

### Electrical Shock Hazard

- Electrical ground is required on this appliance.
- Do not connect to the electrical supply until appliance is permanently grounded.
- Disconnect power to the circuit breaker or fuse box before making the electrical connection.
- This appliance must be connected to a grounded, metallic, permanent wiring system, or a grounding connector should be connected to the grounding terminal or wire lead on the appliance.
- Do not use the gas supply line for grounding the appliance.

Failure to do any of the above could result in a fire, personal injury or electrical shock.

# 30" DUAL FUEL SLIDE-IN RANGE INSTALLATION INSTRUCTIONS

(Models with an Electric Oven and a Gas Cooktop)

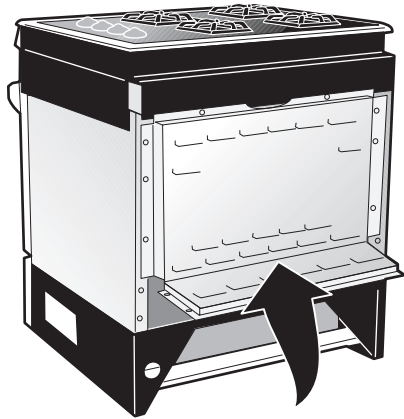
## 3. Electrical Connection to the Range (U.S.A.)

This appliance is manufactured with the neutral terminal connected to the frame.

### Three Conductor Wire Connection to Range

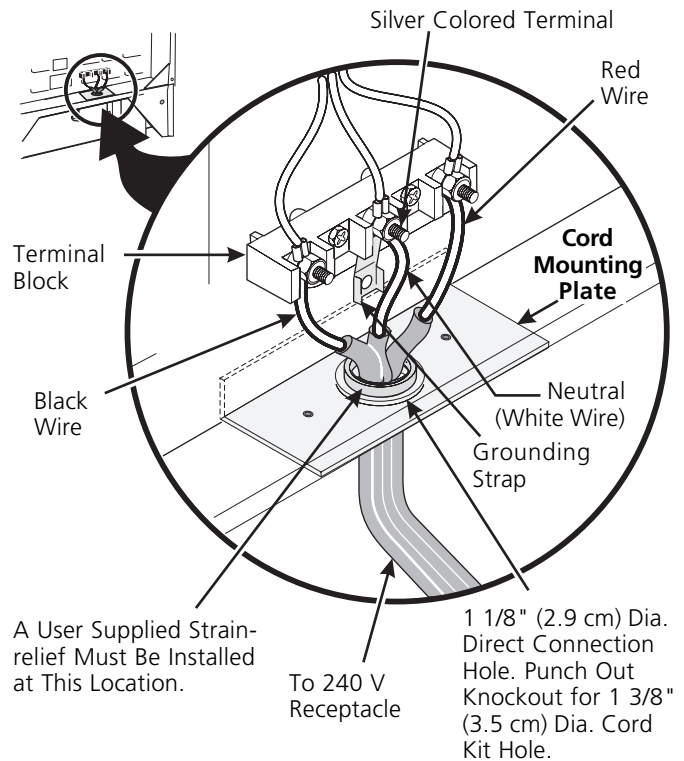
(The 3-conductor cord or cable must be replaced with a 4-conductor cord or cable where grounding through the neutral conductor is prohibited in new installations, mobile homes, recreational vehicles or in other areas where local codes do not permit neutral grounding) If local codes permit connection of the frame grounding conductor to the neutral wire of the copper power supply cord (see Figure 4).

1. Remove the 3 screws at the lower end of the rear wire cover, then bend the lower end of the rear wire cover (access cover) upward to expose range terminal connection block (see Figure 3).



BEND REAR WIRE COVER HERE FOR ACCESS TO ELECTRIC HOOK-UP  
**Figure 3**

2. Remove the 3 loose nuts (after you removed the rubber band) on the terminal block using a 3/8" nut driver or socket.
3. Connect the neutral white wire of the copper power supply cord to the center silver-colored terminal of the terminal block, and connect the other wires to the outer terminals. Match wires and terminals by color (red wires connected to the right terminal, black wires connected to the left terminal).
4. Replace the 3 nuts on the terminal block (see Figure 4).
5. Lower the terminal cover and replace the 3 screws.



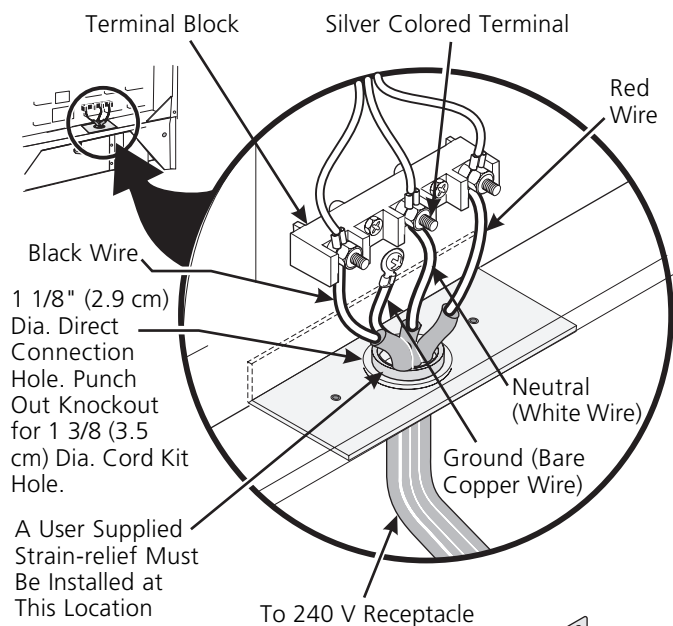
**Figure 4**

# 30" DUAL FUEL SLIDE-IN RANGE INSTALLATION INSTRUCTIONS

(Models with an Electric Oven and a Gas Cooktop)

## Four Conductor Wire Connection to Range (mobile homes)

1. Remove the 3 screws at the lower end of the rear wire cover, then raise the lower end of the rear wire cover (access cover) upward to expose range terminal connection block (see Figure 3).
2. Remove the 3 loose nuts (after you remove the rubber band) on the terminal block using a 3/8" nut driver or socket.
3. Remove the grounding strap from the terminal block and from the appliance frame.
4. Connect the ground wire (green) of the copper power supply cord to the frame of the appliance with the ground screw, using the hole in the frame where the ground strap was removed (see Figure 5).
5. Connect the neutral of the copper power supply cord to the center silver-colored terminal of the terminal block, and connect the other wires to the outer terminals. Match wires and terminals by color (red wires connected to the right terminal, black wires connected to the left terminal).
6. Replace the 3 nuts on the terminal block (see Figure 5).
7. Lower the terminal cover and replace the 3 screws.



**NOTE:** Be sure to remove the supplied grounding strap.

Figure 5

## Direct Electrical Connection to the Circuit Breaker, Fuse Box or Junction Box

If the appliance is connected directly to the circuit breaker, fuse box or junction box, use flexible, armored or nonmetallic sheathed copper cable (with grounding wire). Supply a U.L. listed strain-relief at each end of the cable. At the appliance end, the cable goes through the Direct Connection Hole (see Figure 5) on the Cord Mounting Plate. Wire sizes (**copper wire only**) and connections must conform to the rating of the appliance.

### Where local codes permit connecting the appliance-grounding conductor to the neutral (white) wire (see Figure 6):

(The 3-conductor cord or cable must be replaced with a 4-conductor cord or cable where grounding through the neutral conductor is prohibited in new installations, mobile homes, recreational vehicles or in other areas where local codes do not permit neutral grounding)

1. Disconnect the power supply.
2. In the circuit breaker, fuse box or junction box:
  - a) Connect the green (or bare copper) wire, the white appliance cable wire, and the neutral (white) wire together.
  - b) Connect the 2 black wires together.
  - c) Connect the 2 red wires together.

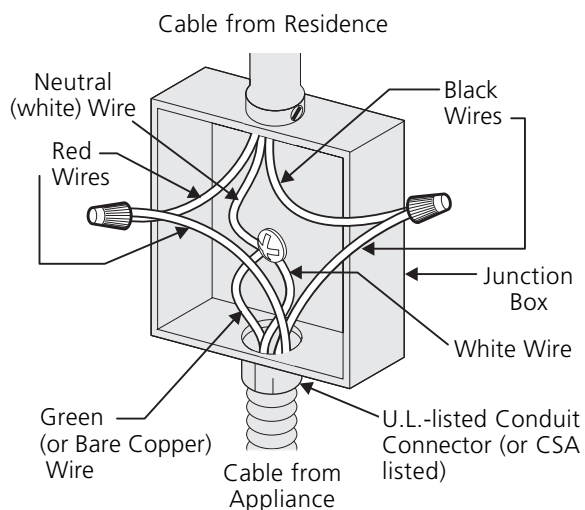


Figure 6  
3-Wire (Grounded Neutral) Electrical System  
(Example: Junction Box)

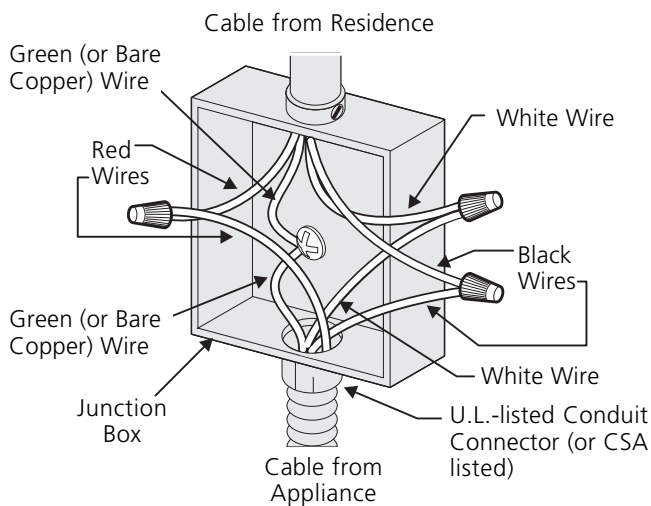


# 30" DUAL FUEL SLIDE-IN RANGE INSTALLATION INSTRUCTIONS

(Models with an Electric Oven and a Gas Cooktop)

Where local codes DO NOT permit connecting the appliance-grounding conductor to the neutral (white) wire, or if connecting to 4-wire electrical system (see Figure 7):

1. Disconnect the power supply.
2. Separate the green (or bare copper) and white appliance cable wires.
3. In the circuit breaker, fuse box or junction box:
  - a) Connect the white appliance cable wire to the neutral (white) wire.
  - b) Connect the 2 black wires together.
  - c) Connect the 2 red wires together.
  - d) Connect the green (or bare copper) grounding wire to the grounding wire of the circuit breaker, fuse box or junction box.



**Figure 7 – 4-Wire Electrical System  
(Example: Junction Box)**

## 4. Cabinet Construction

**CAUTION** To eliminate the risk of burns or fire by reaching over heated surface units, do not have cabinet storage space above the range. If there is cabinet storage space above range, reduce the risk by installing a range hood that projects horizontally a minimum of 5" (12.7 cm) beyond the bottom of the cabinet.

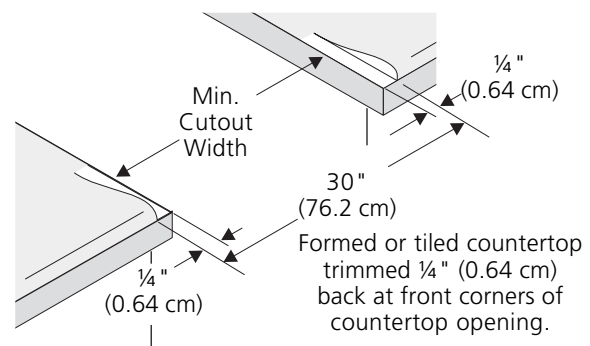
### Countertop Preparation

The cooktop sides of the range fit over the cutout edge of your countertop.

If you have a **square finish (flat) countertop**, no countertop preparation is required.

**Formed front-edged countertops** must have molded edge shaved flat 1/4" (0.64 cm) from each front corner of opening.

**Tile countertops** may need trim cut back 1/4" (0.64 cm) from each front corner and/or rounded edge flattened.



**Figure 8**

**If the countertop opening width is greater than the minimum cutout width**, adjust the 1/4" (0.64 cm) dimension.

**Countertop must be level.** Place a level on the countertop, first side to side, then front to back. If the countertop is not level, the range will not be level. The oven must be level for satisfactory baking results. Cooktop sides of range fit over edges of countertop opening.

# 30" DUAL FUEL SLIDE-IN RANGE INSTALLATION INSTRUCTIONS

(Models with an Electric Oven and a Gas Cooktop)

## 5. Gas Supply – Installation

When shipped from the factory, this unit is designed to operate on 4" water column (1.0 kPa) Natural gas manifold pressure. A convertible pressure regulator is connected to the range manifold and **MUST** be connected in series with the gas supply line. To access the regulator, remove the drawer.

**For proper operation**, the maximum inlet pressure to the regulator should be no more than 14" of water column pressure (3.5 kPa).

The inlet pressure to the regulator must be at least 1" (.25 kPa) greater than the regulator manifold pressure setting. The regulator is set for 4" water column (1.0 kPa) Natural gas manifold pressure, the inlet pressure must be at least 5" water column (1.25 kPa) Natural gas. For LP/Propane gas, the regulator must be set for 10" water column (2.5 kPa) manifold pressure, the inlet pressure must be at least 11" water column (2.75 kPa).

The supply line should be equipped with an approved shutoff valve (see Figure 9). This valve should be located in the same room as the range and should be in a location that allows ease of opening and closing. Do not block access to the shutoff valve. The valve is for turning on or shutting off gas to the appliance.

Open the shutoff valve in the gas supply line. Wait a few minutes for gas to move through the gas line.

The gas supply between the shutoff valve and the regulator may be connected by rigid piping or by A.G.A./C.G.A.-approved flexible metallic union-connected piping where local codes permit use.

The gas supply piping can be through the side wall of the right cabinet. The right side cabinet is an ideal location for the main shutoff valve.

**⚠ CAUTION** Do not make the connection too tight. The regulator is die cast. Overtightening may crack the regulator resulting in a gas leak and possible fire or explosion.

Assemble the flexible connector from the gas supply pipe to the pressure regulator in order: 1- manual shutoff valve, 2- flare union adapter, 3- flexible connector, 4- flare union adapter, 5- pressure regulator.

The gas supply line to the shutoff valve should be 1/2" or 3/4" solid pipe.

The user must know the location of the main shutoff valve and have easy access to it.

When using flexible gas conduit on the range, allow sufficient slack to pull the range outside the cutout for cleaning or servicing.

**NOTE:** Do not allow the flexible conduit to get pinched between the wall and the range. To visually check, remove the drawer.

Use pipe-joint compound made for use with Natural and LP/Propane gas to seal all gas connections. If flexible connectors are used, be certain connectors are not kinked.

**Leak testing of the appliance shall be conducted according to the manufacturer's instructions.**

**Check for leaks.** After connecting the range to the gas supply, check the system for leaks with a manometer. If a manometer is not available, turn on the gas supply and use a liquid leak detector at all joints and connections to check for leaks.

**⚠ WARNING** Do not use a flame to check for leaks from gas connections. Checking for leaks with a flame may result in a fire or explosion.

All openings in the wall or floor where the range is to be installed must be sealed.

**Tighten all connections** if necessary to prevent gas leakage in the cooktop or supply line.

**Check alignment of valves** after connecting the cooktop to the gas supply to be sure the manifold pipe has not been moved.

**Disconnect this range and its individual shutoff valve** from the gas supply piping system during any pressure testing of that system at test pressures greater than 1/2 psig (3.5 kPa or 14" water column).

**Isolate the range from the gas supply piping system** by closing its individual manual shutoff valve during any pressure testing of the gas supply piping system at test pressures equal to or less than 1/2 psig (3.5 kPa or 14" water column).

## 6. LP/Propane Gas Conversion

This appliance can be used with Natural gas or LP/Propane gas. It is shipped from the factory for use with natural gas.

If you wish to convert your range for use with LP/Propane gas, use the supplied fixed orifices located in a bag containing the literature marked "FOR LP/PROPANE GAS CONVERSION". Follow the instructions packaged with the orifices.

# 30" DUAL FUEL SLIDE-IN RANGE INSTALLATION INSTRUCTIONS

(Models with an Electric Oven and a Gas Cooktop)

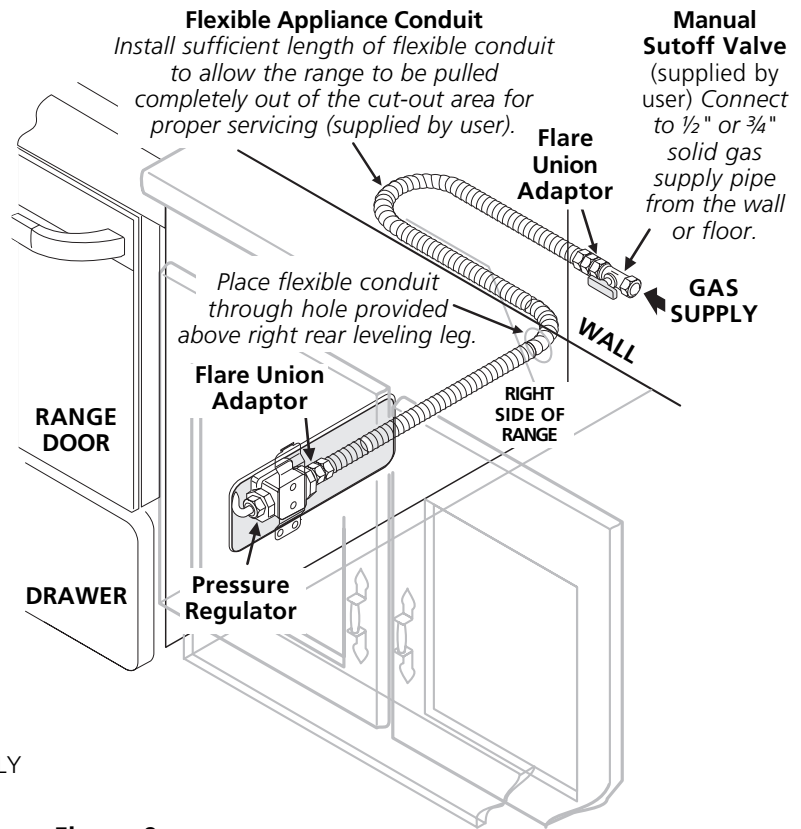
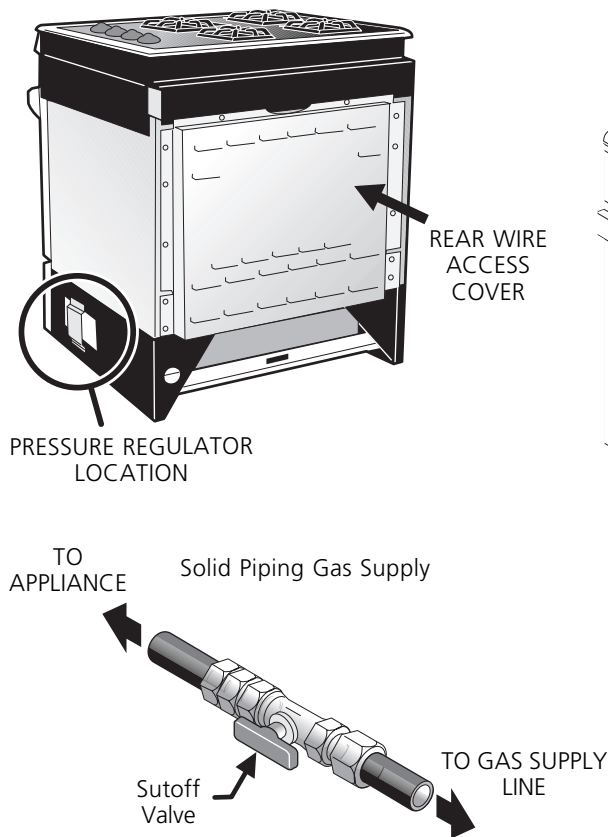


Figure 9

## LP/Propane Gas Conversion (continued)

The conversion must be performed by a qualified service technician in accordance with the manufacturer's instructions and all local codes and requirements. Failure to follow these instructions could result in serious injury or property damage. The qualified agency performing this work assumes responsibility for the conversion.

**WARNING** Failure to make the appropriate conversion can result in personal injury and property damage.

## 7. Moving the Appliance for Servicing and Cleaning

Turn off the range line fuse or circuit breakers at the main power source, and turn off the manual gas shut-off valve. Make sure the range is cold. Remove the service drawer (warmer drawer on some models) and open the oven door. Lift the range at the front and slide it out of the cut-out opening without creating undue strain on the flexible gas conduit. Make sure not to pinch the flexible gas conduit at the back of the range when replacing the unit into the cut-out opening. Replace the drawer, close the door and switch on the electrical power and gas to the range.

The regulator must be disconnected before moving the appliance, if the range regulator is connected to rigid piping. If the range is equipped with a warmer drawer, the regulator can be accessed through a lateral side panel. Remove the 2 screws securing the panel, then remove the panel. Disconnect the regulator from the piping. Reassemble in reverse order (see Figure 10).

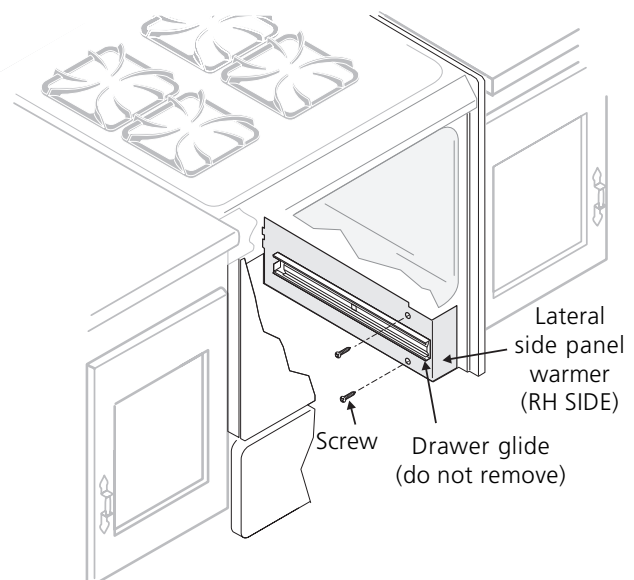


Figure 10



# 30" DUAL FUEL SLIDE-IN RANGE INSTALLATION INSTRUCTIONS

(Models with an Electric Oven and a Gas Cooktop)

## 8. Range Installation

**CAUTION** When unpacking the range, do not discard the 4 shipping bolts. These are to be replaced on the unit for use as leveling legs and height adjustments.

### 1. Installation Without Side Panel(s)

- The range cooktop overlaps the countertop at the sides and the range rests on the floor. The cooktop is 30" (76.2 cm) wide.
- Install base cabinets 29" (73.7 cm) apart. Make sure they are plumb and level before attaching cooktop. Shave raised countertop edge to clear 30" (76.2 cm) wide range top rim.
- Install cabinet doors 31" (78.7 cm) min. apart so as not to interfere with range door opening.
- Cutout countertop exactly as shown on page 1.
- A backguard kit can be ordered through your dealer.
- Adjust leveling legs so that the underside of the cooktop is sitting on the countertop.
- Level the range. The floor where the range is to be installed must be level** (see Figure 11).

### 2. Installation With Side Panel(s)

- Install base cabinets 30 1/8" (76.5 cm) min. apart. Make sure they are plumb and level.
- Install cabinet doors 31" (78.7 cm) min. apart so as not to interfere with range door opening.
- A backguard kit can be ordered through your dealer.
- An end panel kit can be ordered through your dealer.
- Level the range and adjust cooktop height.

### 3. Installation With Backguard

The cutout depth of 21 5/8" (55 cm) needs to be increased to 24" (61 cm) when installing a backguard.

## 9. Leveling the Range

**Level the range and set cooktop height before installation in the cut-out opening.**

- Install an oven rack in the center of the oven.
- Place a level on the rack. Take 2 readings with the level placed diagonally in one direction and then the other. Level the range, if necessary, by adjusting the 4 leg levelers with a wrench (see Figure 15).
- Taking care to not damage the countertop, slide range into cut-out opening and double check for levelness. If the range is not level, pull unit out and readjust leveling legs, or make sure floor is level.

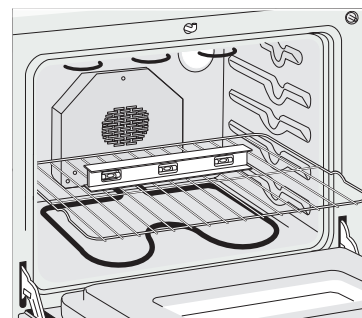


Figure 11

## 10. Check Operation

Refer to the Owner's Guide packaged with the range for operating instructions and for care and cleaning of your range.

**CAUTION** Do not touch the elements or burners. They may be hot enough to cause burns.

Remove all packaging from the oven before testing.

### 1. Install Burner Bases and Burner Caps

This range is equipped with sealed burners as shown (see Figure 12).

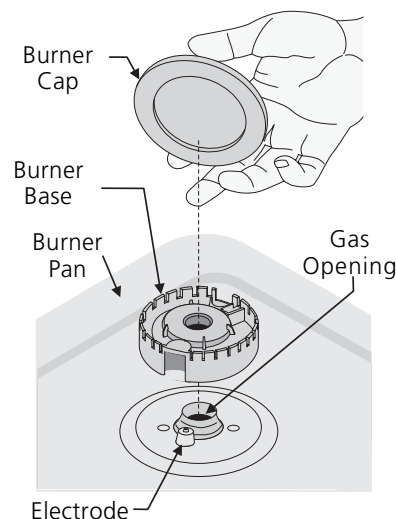


Figure 12

- Unpack burner bases and burner caps.
- Place burner bases over each gas opening.
- Make sure the burner is properly aligned and leveled. Place burner caps over appropriate burner bases.

**NOTE:** There are no burner adjustments necessary on this range.

### 2. Turn on Electrical Power and Open Main Shutoff Gas Valve

### 3. Check the Igniters

Operation of electric igniters should be checked after range and supply line connectors have been carefully checked for leaks and range has been connected to electric power.

# 30" DUAL FUEL SLIDE-IN RANGE INSTALLATION INSTRUCTIONS

(Models with an Electric Oven and a Gas Cooktop)

To check for proper lighting:

- A. Push in and turn a surface burner knob to the LITE position. You will hear the igniter sparking.
- B. The surface burner should light when gas is available to the top burner. Each burner should light within four (4) seconds in normal operation after air has been purged from supply lines. Visually check that burner has lit.
- C. Once the burner lights, the control knob should be rotated out of the LITE position.

There are separate ignition devices for each burner. Try each knob separately until all burner valves have been checked.

## 4. Adjust the "LOW" Setting of Surface Burner Valves (see Figure 13)

- A. Push in and turn each control to LITE until burner ignites.
- B. Quickly turn knob to LOWEST POSITION.
- C. If burner goes out, readjust valve as follows: Reset control to OFF. Remove the surface burner control knob, insert a thin-bladed screw driver into the hollow valve stem and engage the slotted screw inside. Flame size can be increased or decreased with the turn of the screw. Adjust flame until you can quickly turn knob from LITE to LOWEST POSITION without extinguishing the flame. Flame should be as small as possible without going out.

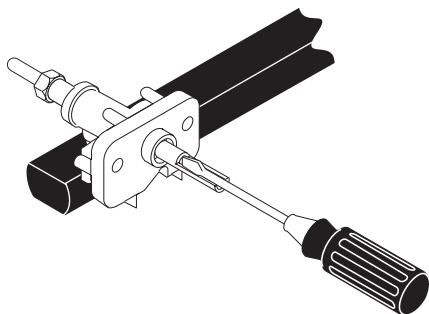


Figure 13

## 5. Operation of Oven Elements

The oven is equipped with an electronic oven control. Each of the functions has been factory checked before shipping. However, it is suggested that you verify the operation of the electronic oven controls once more. Refer to the [Owner's Guide](#) for operation. Follow the instructions for the Clock, Timer, Bake, Broil, Convection (some models) and Clean functions.

**Bake**—After setting the oven to 350°F (177°C) for baking, the lower element in the oven should become red.

**Broil**—When the oven is set to BROIL, the upper element in the oven should become red.

**Clean**—When the oven is set for a self-cleaning cycle, the upper element should become red during the preheat portion of the cycle. After reaching the self-cleaning temperature, the lower element will become red.

**Convection (some models)**—When the oven is set to CONV. BAKE/ROAST at 350°F (177°C), both elements cycle on and off alternately and the convection fan will turn. The convection fan will stop turning when the oven door is opened during convection baking or roasting.

**Warmer Drawer (some models)**—Set the control knob to HI and check to see the drawer is heating.

## When All Hookups are Complete

Make sure all controls are left in the OFF position.

Make sure the flow of combustion and ventilation air to the range is unobstructed.

## Model and Serial Number Location

The serial plate is located on the oven front frame behind the oven door (some models) or behind the drawer (some models).

When ordering parts for or making inquiries about your range, always be sure to include the model and serial numbers and a lot number or letter from the serial plate on your range.

Your serial plate also tells you the rating of the burners, the type of fuel and the pressure the range was adjusted for when it left the factory.

## Before You Call for Service

Read the Avoid Service Checklist and operating instructions in your [Owner's Guide](#). It may save you time and expense. The list includes common occurrences that are not the result of defective workmanship or materials in this appliance.

Refer to the warranty and service information in your [Owner's Guide](#) for our phone number and address. Please call or write if you have inquiries about your range product and/or need to order parts.

# 30" DUAL FUEL SLIDE-IN RANGE INSTALLATION INSTRUCTIONS

(Models with an Electric Oven and a Gas Cooktop)

## 11. Important Safety Warning

To reduce the risk of tipping of the range, the range must be secured to the floor by properly installed anti-tip brackets and screws packed with the range. Those parts are located in a plastic bag in the oven. Failure to install the anti-tip brackets will allow the range to tip over if excessive weight is placed on an open door or if a child climbs upon it. Serious injury might result from spilled hot liquids or from the range itself.

Follow the instructions below to install the anti-tip brackets.

If range is ever moved to a different location, the anti-tip brackets must also be moved and installed with the range. To check for proper installation, see step 5.

### Tools Required:

5/16" Nutdriver or Flat Head Screwdriver  
Adjustable Wrench  
Electric Drill  
3/16" Diameter Drill Bit  
3/16" Diameter Masonry Drill Bit (if installing in concrete)

## Anti-Tip Brackets Installation Instructions

Brackets attach to the floor at the back of the range to hold both rear leg levelers. When fastening to the floor, be sure that screws do not penetrate electrical wiring or plumbing. The screws provided will work in either wood or concrete.

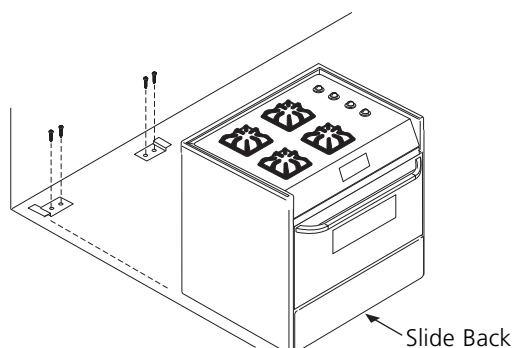
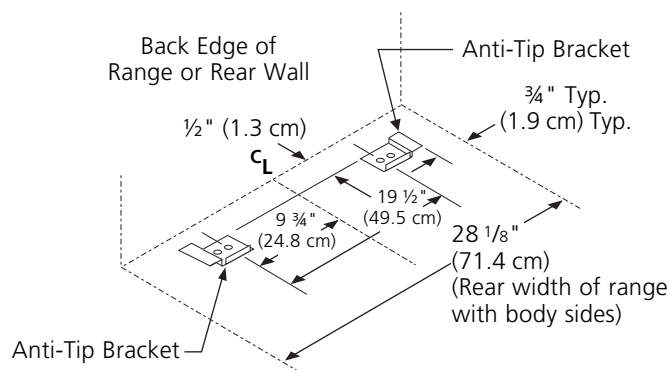


Figure 14

1. Unfold paper template and place it flat on the floor with the back and side edges positioned exactly where the back and sides of range will be located when installed. (Use the diagram below to locate brackets if template is not available.)
2. Mark on the floor the location of the 4 mounting holes shown on the template. For easier installation, 3/16" (0.5 cm) diameter pilot holes 1/2" (1.3 cm) deep can be drilled into the floor.
3. Remove template and place brackets on floor with turned up flange to the front. Line up holes in brackets with marks on floor and attach with 4 screws provided. Brackets must be secured to solid floor. If attaching to concrete floor, first drill 3/16" (0.5 cm) dia. pilot holes using a masonry drill bit.
4. Level range if necessary, by adjusting 4 leg levelers with wrench (see Figure 15). A minimum clearance of 1/8" (0.8 cm) is required between the bottom of the range and the rear leg levelers to allow room for the anti-tip brackets.
5. Slide range into place making sure rear legs are trapped by ends of brackets. Range may need to be shifted slightly to one side as it is being pushed back to allow rear legs to align with brackets. Grasp the top rear edge of the range and carefully attempt to tilt it forward to make sure range is properly anchored.

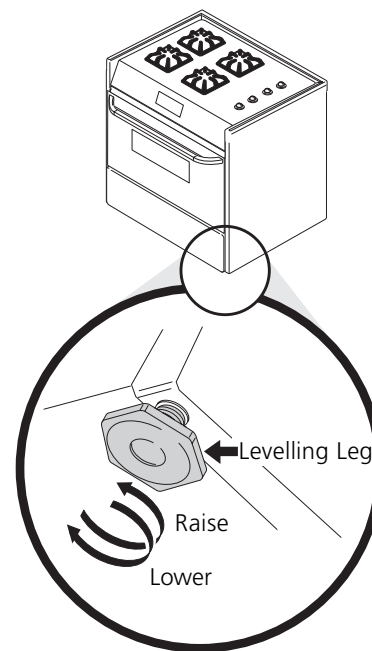


Figure 15

# INSTRUCCIONES DE INSTALACION PARA LA ESTUFA DE FUEL DUAL DE 30"

(Para Modelos con un Horno Eléctrico y una Estufa a Gas)



**LA INSTALACION Y EL SERVICIO DEBEN SER EFECTUADOS POR UN INSTALADOR CALIFICADO.**

**IMPORTANTE: GUARDE ESTAS INSTRUCCIONES PARA USO DEL INSPECTOR LOCAL DE ELECTRICIDAD.**

**LEA Y GUARDE ESTAS INSTRUCCIONES PARA REFERENCIA FUTURA.**

**⚠ ADVERTENCIA** Si la información contenida en este manual no es seguida exactamente, puede ocurrir un incendio o explosión causando daños materiales, lesión personal o la muerte.

**PARA SU SEGURIDAD:**

- No almacene ni utilice gasolina u otros vapores y líquidos inflamables en la proximidad de éste o de cualquier otro artefacto.
- **QUE DEBE HACER SI PERCIBE OLOR A GAS:**
  - No trate de encender ningún artefacto.
  - No toque ningún interruptor eléctrico; no use ningún teléfono en su edificio.
  - Llame a su proveedor de gas desde el teléfono de un vecino. Siga las instrucciones del proveedor de gas.
  - Si no logra comunicarse con su proveedor de gas, llame al departamento de bomberos.
- La instalación y el servicio de mantenimiento deben ser efectuados por un instalador calificado, la agencia de servicio o el proveedor de gas.

No pellizque el cordón eléctrico o el conducto flexible de gas entre la estufa y la pared.

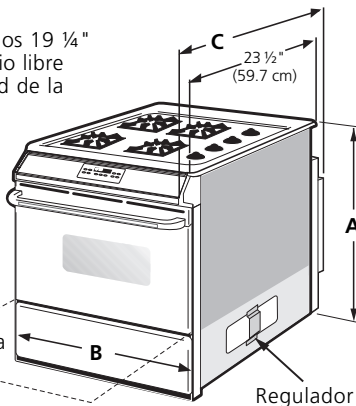
No selle la estufa a los armarios de lado.

**\*\*NOTA:** Un espacio mínimo de 30" (76.2 cm) entre la superficie de la estufa y el fondo del armario cuando el fondo del armario de madera o metal está protegido por no menos de 1/4" (0.64 cm) de madera resistente al fuego cubierta por una lámina metálica de MSG, número 28, 0.015" (0.4 mm) de acero inoxidable, 0.024" (0.6 mm) de aluminio, ò 0.02" (0.5 mm) de cobre.

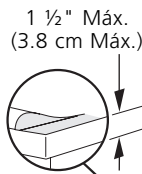
Un espacio mínimo de 36" cuando el armario no está protegido.

• **NOTA:** Deje por los 19 1/4" (48.9 cm) de espacio libre para la profundidad de la puerta cuando esta abierta.

• Puerta abierta (vea la nota)



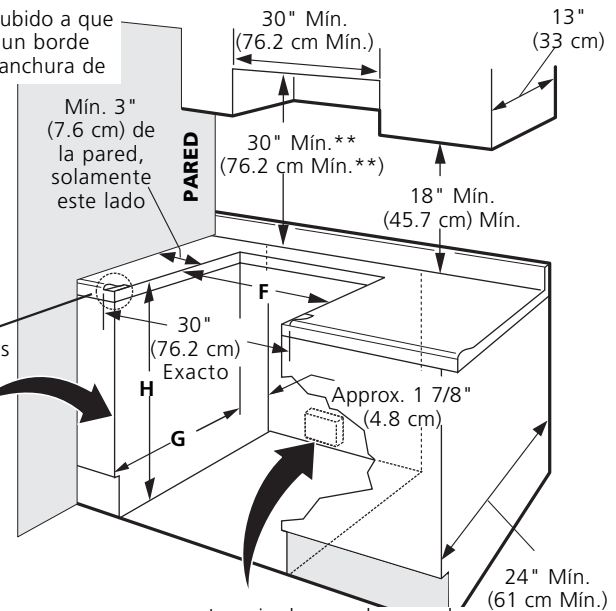
Acepille el borde subido a que deje espacio para un borde 30" (76.2 cm) de anchura de estufa



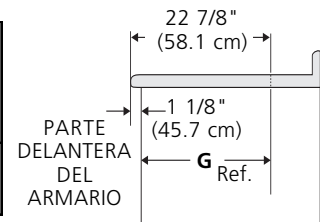
Localise las puertas del armario 1" (2.5 cm) mín del hueco de la abertura.

\*Nota: 29" (73.7 cm) Anchura de la abertura para plancha translapadala y apariencia encerrada.

Para la instalación de modelos con paneles laterales opcionales, el área del hueco incluyendo el armario debe de estar 30" (76.2 cm) de anchura mínimo.



La caja de empalmes o el enchufe de conexión con la tierra debería situarse de 8" a 17" (20.3 cm a 43.2 cm) del armario derecho y de 2" a 4" (5.1 cm a 10.2 cm) del suelo.



A. ALTURA	B. ANCHURA	C. PROFUNDIDAD A LA FRENTE DE LA ESTUFA	F. ANCHURA MÍNIMA DE RECORTADO	G. PROFUNDIDAD MÍNIMA DE RECORTADO	H. ALTURA DEL MOSTRADOR
35 3/8" (90 cm) - 36 3/8" (92 cm)	30" (76.2 cm)	26 1/4" (66.7 cm)	29" (73.7 cm)	21 3/4" (55.2 cm)	36" (91.4 cm) standard 35 3/8" (90 cm) min.

G. La profundidad mínima de recortado se aumenta a 24" (61 cm) con el uso de un protector trasero.

**NOTA:** Se adjunta el diagrama de cables de esta cocina al final de este libreta.

P/N 318201664 (0307) Rev. A

English – pages 1-11

Español – páginas 12-22

Notas - 23

Diagrama de la instalación alámbrica - páginas 24

# INSTRUCCIONES DE INSTALACION PARA LA ESTUFA DE FUEL DUAL DE 30"

(Para Modelos con un Horno Eléctrico y una Estufa a Gas)

## Notas importantes para el Instalador

1. Lea todas las instrucciones contenidas en este manual antes de instalar la estufa.
2. Saque todo el material usado en el embalaje del compartimiento del horno antes de conectar el suministro eléctrico o de gas a la estufa.
3. Observe todos los códigos y reglamentos pertinentes.
4. Deje estas instrucciones con el comprador.

## Nota Importante para el Consumidor

Conserve estas instrucciones y el Manual del Usuario para referencia futura.

# IMPORTANTES INSTRUCCIONES DE SEGURIDAD

Instalación de esta estufa debe cumplir con todos los códigos locales, o en ausencia de códigos locales con el Código Nacional de Gas Combustible ANSI Z223.1—última edición en los Estados Unidos, o el CAN/CGA-B149.2 en Canadá.

El diseño de esta estufa ha sido certificado por la Asociación de Gas Americana. En éste como en cualquier otro artefacto que use gas y genere calor, hay ciertas precauciones de seguridad que usted debe seguir. Estas serán encontradas en el [Manual del Usuario](#), léalo cuidadosamente.

- **Asegúrese de que la estufa sea instalada y conectada a tierra en forma apropiada por un instalador calificado o por un técnico.**
- **Esta estufa debe ser eléctricamente puesta a tierra de acuerdo con los códigos locales, o en su ausencia, con el Código Eléctrico Nacional ANSI/NFPA No. 70, última edición en los Estados Unidos (Vea las instrucciones para la puesta a tierra) o el código Eléctrico Canadiense CSA Standard C22.1, Part 1, en Canadá.**
- La instalación de aparatos diseñados para instalación en casas prefabricadas (móviles) debe conformar con el Manufactured Home Construction and Safety Standard, título 24CFR, parte 3280 [Anteriormente el Federal Standard for Mobil Home Construction and Safety, título 24, HUD (parte 280)] o cuando tal estándar no se aplica, el Standard for Manufactured Home Installation


1982 (Manufactured Home sites, Communities and Setups), ANSI Z225.1/NFPA 501A—edición más reciente, o con los códigos locales en los Estados Unidos o el CAN/CSA-Z240 MH, en Canadá.

- **Asegúrese de que el material que recubre las paredes alrededor de la estufa, pueda resistir el calor generado por la estufa.**
- **Antes de instalar la estufa en un área cuyo piso este recubierto con linóleo u otro tipo de piso sintético, asegúrese de que éstos puedan resistir una temperatura de por lo menos 90°F (32.2°) sobre la temperatura ambiental sin provocar encogimiento, deformación o decoloración.** No instale la estufa sobre una alfombra al menos que coloque una plancha de material aislante de por lo menos ¼" (0.6 cm), entre la estufa y la alfombra.
- **No obstruya el flujo del aire de combustión en la ventilación del horno ni tampoco alrededor de la base o debajo del panel inferior delantero de la estufa.** Evite tocar las aberturas o áreas cercanas de la ventilación, ya que pueden estar muy calientes durante el funcionamiento del horno. La estufa requiere aire fresco para la combustión apropiada de los quemadores.

**⚠ ADVERTENCIA** **Nunca deje niños solos o desatendidos en un área donde un artefacto está siendo usado.** A medida que los niños crecen, enséñeles el uso apropiado y de seguridad para todos los artefactos. Nunca deje la puerta del horno abierta cuando la estufa está desatendida.

**⚠ ADVERTENCIA** **No se pare, apoye o siente en la s puertas o cajones de esta estufa pues puede resultar en serias lesiones y puede también causar daño a la estufa.**

- **No almacene artículos que puedan interesar a los niños en los gabinetes sobre la estufa.** Los niños pueden quemarse seriamente tratando de trepar a la estufa para alcanzar estos artículos.
- **Los gabinetes de almacenamiento sobre la estufa deben ser evitados, para eliminar la necesidad de tener que pasar sobre los quemadores superiores de la estufa para llegar a ellos.**
- **Ajuste el tamaño de la llama de los quemadores superiores de tal manera que ésta no sobrepase el borde de los utensilios de cocinar.** La llama excesiva es peligrosa.
- **No use el horno como espacio de almacenaje.** Esto creará una situación potencialmente peligrosa.
- **Nunca use la estufa para calentar el cuarto.** El uso prolongado de la estufa sin la adecuada ventilación puede resultar peligroso.
- **No almacene ni utilice gasolina u otros vapores y líquidos inflamables en la proximidad de éste o de cualquier otro artefacto eléctrico.** Puede provocar incendio o explosión.

 	<b>⚠ ADVERTENCIA</b> <ul style="list-style-type: none"><li>• Todas las estufas pueden volcarse.</li><li>• Esto podría resultar en lesiones personales.</li><li>• Instale el dispositivo antivuelco que se ha empacado junto con esta estufa.</li></ul>	<b>⚠ ADVERTENCIA</b> <p>Para reducir el riesgo de que se vuelque la estufa, hay que asegurarla adecuadamente colocándole los soportes antivuelco que se proporcionan. Para comprobar si estos están instalados y apretados en su lugar como se debe, ase el borde trasero superior de la estufa y cuidadosamente inclínela hacia adelante para asegurar que la estufa se ancle.</p>
--	--	---



# INSTRUCCIONES DE INSTALACION PARA LA ESTUFA DE FUEL DUAL DE 30"

(Para Modelos con un Horno Eléctrico y una Estufa a Gas)

- En caso de una interrupción del servicio eléctrico, es posible de encender los quemadores de superficie a mano. Para encender un quemador de superficie, acerque un fósforo encendido del cabezal del quemador, y gire delicadamente el botón de control de superficie a LITE (encendido). Tener cuidado al encender los quemadores a mano.
- **Ajuste todos los controles a la posición "OFF" (apagada) después de haber hecho una operación con tiempo programado.**

## PARA MODELOS AUTOLIMPIANTES:

- **Saque la asadera, alimentos o cualquier otro utensilio antes de usar el ciclo de autolimpieza del horno.** Limpie todo exceso de derrame de alimentos. Siga las instrucciones de prelimpiado en el [Manual del Usuario](#).

**⚠ AVISO CANADA SOLAMENTE:** Este aparato está equipado con una enchufe de 4 patas puesta a tierra para su protección contra choque eléctrico, y debe de ser conectado directamente en una tomacorriente correctamente puesta a tierra. No corte ni remueva esta pata puesta a tierra del enchufe.

## 1. Juego de Cordón Eléctrico (Estados Unidos)

El consumidor tiene la responsabilidad de conectar el cordón eléctrico al bloque de conexión ubicado detrás de la cubierta de acceso del panel trasero.

Este electrodoméstico puede ser conectado por medio de una "conexión directa" de cables permanentes (cable blindado flexible o no metálico recubierto de cobre), o por medio de un ensamblaje de cordón de suministro eléctrico. Solamente un ensamblaje de cordón de suministro eléctrico con régimen de 125/250 voltios mínimo, 40 amperios y marcado para uso con cocinas debe ser utilizado. Vea la tabla (más abajo) para información sobre el tamaño de abertura de la conexión del ensamblaje de cordón. El cordón debe de tener 3 o 4 conductores.

Para las casas sobre ruedas, las nuevas instalaciones, en los vehículos de recreación o en las áreas donde los códigos locales no permiten la conexión del conductor a tierra al neutro, un ensamblaje de suministro eléctrico de 4 conductores para estufas, clasificado a 125/250 voltios mínimo, 40 amperios mínimo, debe de ser utilizado (ver la figura 5).

Los bornes a la extremidad de los alambres deben ser a curvas cerradas o con extremidades de lengüetas en forma de U abiertas y curvadas. El cordón debe de tener una abrazadera releva de anclaje.

Ver la tabla de arriba para conexión de alambres de 3 o 4 conductores.

### Tabla de tamaño de abertura de conexión de cocina

Referirse a la tabla de arriba para el tamaño de abertura de conexión de cocina adecuada, y la información sobre el régimen de amperios del ensamblaje de cordón de suministro eléctrico.

Vea la placa de serie de la cocina para información sobre el régimen de kilovatio.		Regimén de amperios de ensamblaje del cordón	Diámetro (pulgados (cm)) de abertura de conexión de cocina.	
120/240 Volts	120/208 Volts		Ensamblaje del cordón	Conexión directa
0-16.5 Kw 16.6-22.5 Kw	0-12.5 Kw 12.6-18.5 Kw	40 Amp. 50 Amp.	1 3/8 (3.5) 1 3/8 (3.5)	1 1/8 (2.9) 1 3/8 (3.5)

**Nota:** La cocina corrediza fuel dual viene de fabrica con un agujero d diámetro 1 1/8" (2.9 cm) como muestra en la figura 4. Si un agujero mas largo está necesario retire la arandela pre-cortada.

**⚠ ADVERTENCIA** Puede ocurrir riesgo de incendio o choque eléctrico si se usa un juego de cordón de estufa de tamaño incorrecto, si las instrucciones de instalación no son seguidas o si no se usa el anclaje del cable.

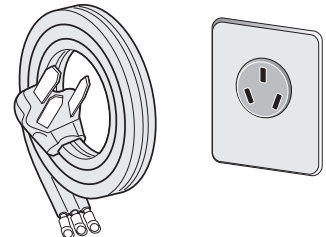
### ⚠ ADVERTENCIA

#### Riesgo de Choque Eléctrico

- Una puesta a tierra está requerido en este aparato.
- No lo conecte a la corriente eléctrica hasta que el aparato haya sido puesto a tierra permanentemente.
- Desconecte la corriente eléctrica a la caja de empalmes antes de hacer la conexión eléctrica.
- Este aparato debe estar conectado con un sistema de alambres puesto en tierra, metálico y permanente o un conector de puesta a tierra debe conectarse al terminal de puesta a tierra o el alambre conductor en el aparato.
- No utilice el suministro de gas para hacer la puesta a tierra.

La falta de hacer cualquier de las cosas arriba podría resultar en un incendio, choque eléctrico o lesiones personales.

**⚠ PRECAUCION** No desate las tuercas que sujetan el alambrado de cocina que ha sido instalado en la factoria al bloque terminal, cuando se hace la conexión de la cocina. Se puede ocurrir el mal funcionamiento o una interrupción del suministro eléctrico.



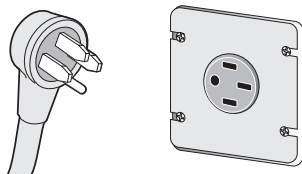
Estilo Estados Unidos  
Figura 1

# INSTRUCCIONES DE INSTALACION PARA LA ESTUFA DE FUEL DUAL DE 30"

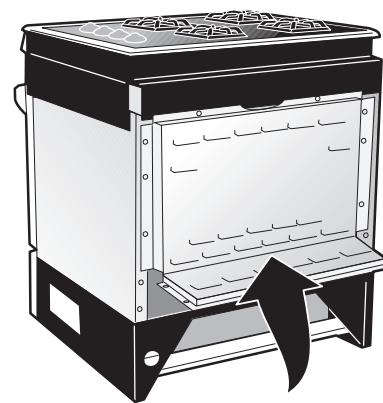
(Para Modelos con un Horno Eléctrico y una Estufa a Gas)

## 2. Cordón de fuente de energía conectado de fabrica (Canadá solamente)

Esta estufa viene de fabrica equipada con un cordón de fuente de energía (vea a la figura 2). El cordón debe de ser conectado a una toma de corriente a tierra de 120/240 voltios o de 120/208 voltios. Si no hay una toma de corriente a tierra en la habitación, debe de ser instalada por un técnico calificado.



Estilo Canadá  
Figura 2



LEVANTE LA PARTE MAS BAJA DEL PANEL TRASERO AQUI PARA TENER ACCESO AL BLOQUE DE CONEXIONES DE LOS TERMINALES  
Figura 3

## 3. Conexión Eléctrico de la Estufa (Estados Unidos)

Este aparato se fabrica con el terminal neutro conectado al marco.

**Nota:** Refiere a los diagramas de alambraje al final de este manual.

### Conexión de tres alambres de conducción a la estufa

(Un cordón flexible o cable de 3 conductores debe de ser reemplazado con un cordón flexible o cable de 4 conductores donde la conexión del conductor a tierra al neutro esta prohibida en las nuevas instalaciones, las casas sobre ruedas, los vehículos de recreación o otras áreas donde los códigos locales no permiten la conexión a tierra al neutro.) si los códigos locales permiten la conexión del conductor de tierra del marco con el alambre neutro del cordón eléctrico de cobre (vea Figura 4).

1. Quite los tres tornillos en la parte más baja del panel trasero, luego levante la parte más baja del panel trasero (la cubierta de acceso) exponiendo el bloque de conexiones de los terminales de la estufa (vea Figura 3).
2. Quite las tres tuercas desatadas (después de remover la cinta de goma) sobre el bloque terminal usando un destornillador o una llave de casquillo de 3/8".
3. Conecte el cable neutro del cordón eléctrico de cobre al terminal de color de plata en el centro del bloque, y conecte los otros cables a los terminales laterales. Empareje los cables y los terminales según el color (cables rojos conectados con el terminal derecho, cables negros conectados con el terminal izquierdo).
4. Repone las tres tuercas desatadas sobre el bloque terminal.
5. Baje la cubierta del terminal y reinstale los tres (3) tornillos.

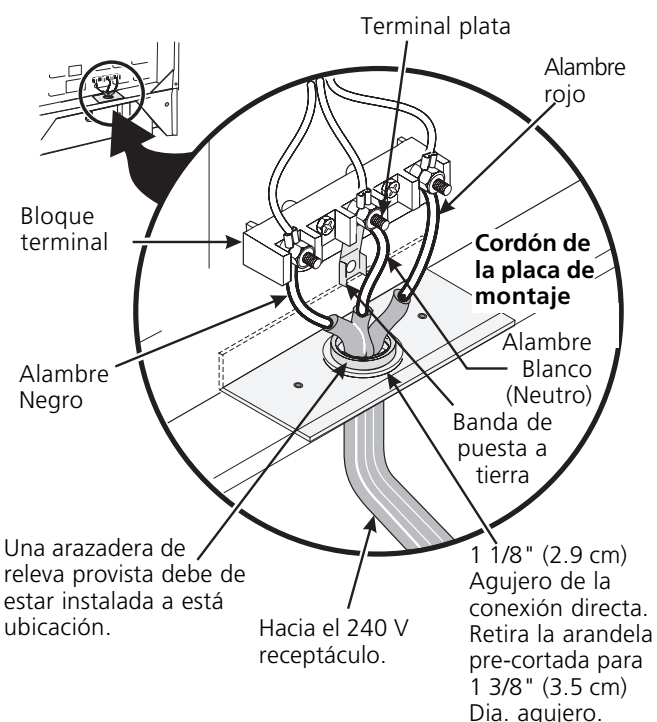


Figura 4

### Conexión de 4 alambres de conducción a la estufa (casas móviles)

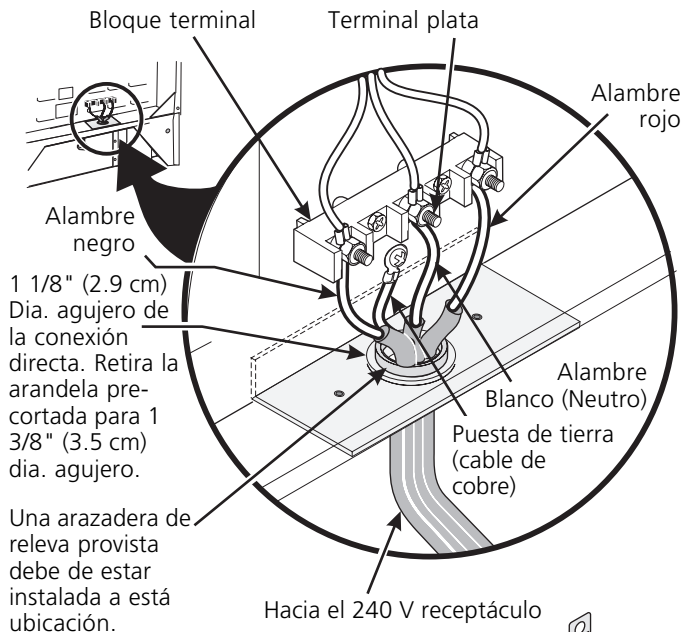
1. Quite los tres tornillos en la parte más baja del panel trasero, luego levante la parte más baja del panel trasero (la cubierta de acceso) exponiendo el bloque de conexiones de los terminales de la estufa.
2. Quite las tres tuercas dasatadas (después de remover la cinta de goma) sobre el bloque termianl usando un destornillador o una llave de casquillo de 3/8".
3. Quite la banda de puesta a tierra del bloque de los terminales y del marco del artefacto. Retenga el tornillo de puesta a tierra.
4. Conecte el alambre de puesta a tierra (verde) del cordón eléctrico de cobre al marco del artefacto con

# INSTRUCCIONES DE INSTALACION PARA LA ESTUFA DE FUEL DUAL DE 30"

(Para Modelos con un Horno Eléctrico y una Estufa a Gas)

el tornillo de puesta a tierra, usando el agujero en el marco donde se quitó el tornillo de puesta a tierra (vea figura 5).

5. Conecte el alambre neutro (blanco) del cordón eléctrico de cobre al terminal de color de plata en el centro del bloque y conecte los otros alambres al los terminales laterales.
6. Repone las tres tuercas desatadas sobre el bloque terminal.
7. Baje la cubierta de acceso y vuelva a poner los 3 tornillos.



**NOTA:** Asegurese de quitar la banda de puesta a tierra provista.

Figura 5

## Conexión eléctrica directa al cortacircuito, a la caja de fusibles o la caja de empalmes

Si el aparato está conectado directamente al cortacircuito, a la caja de fusibles o a la caja de empalmes, use un cable blindado flexible o no metálico recubierto de cobre (con alambre a tierra). Provee una abrazadera relevo de anclaje homologado UL a cada extremidad del cable. A la extremidad del electrodoméstico, el cable pase a través del agujero de la conexión directa (ver figura 5) en el cordón de la placa de montaje. El tamaño de los alambres (**alambre de cobre solamente**) y las conexiones deben estar conforme al regimén del electrodoméstico.

## Donde los códigos locales permitan conectar el conductor de puesta a tierra del electrodoméstico al neutro (blanco) (vea figura 6):

(Un cordón flexible o cable de 3 conductores debe de ser reemplazado con un cordón flexible o cable de 4 conductores donde la conexión del conductor a tierra al neutro esta prohibida en las nuevas instalaciones, las casas sobre ruedas, los vehículos de recreación o otras áreas donde los códigos locales no permiten la conexión a tierra al neutro.)

1. Desconecte el suministro eléctrico.
2. En el cortacircuito, la caja de fusibles o la caja de empalmes
  - a) Conecte el alambre verde (o cobre desnudo), el alambre blanco del cable del electrodoméstico y el alambre neutro (blanco) juntos.
  - b) Conecte los dos alambres negros juntos.
  - c) Conecte los dos alambres rojos juntos.

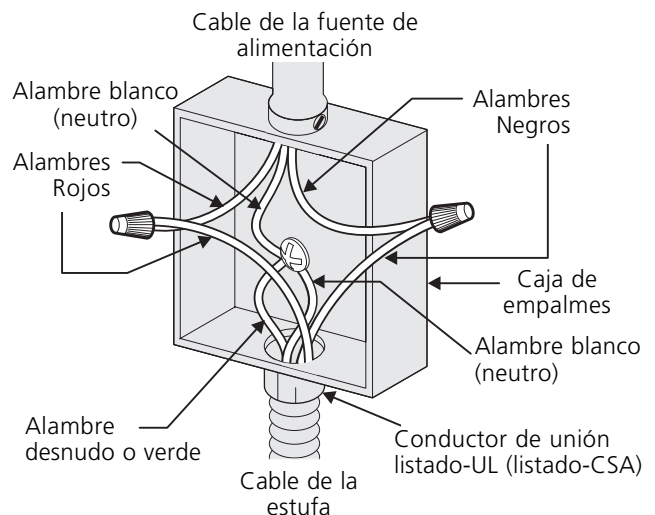


Figura 6

Sistema eléctrico (ejemplo: caja de empalmes) de 3 alambres (a tierra neutral)

# INSTRUCCIONES DE INSTALACION PARA LA ESTUFA DE FUEL DUAL DE 30"

(Para Modelos con un Horno Eléctrico y una Estufa a Gas)

Donde los códigos locales NO permitan conectar el conductor de puesta a tierra del electrodoméstico al neutral (blanco), o si está conectado con un sistema a 4 alambres (vea figura 7):

1. Desconecte el suministro eléctrico
2. Separe el alambre verde (o cobre desnudo) y el alambre blanco del electrodoméstico.
3. En el cortacircuito, la caja de fusibles o la caja de empalmes.
  - a. Conecte el alambre blanco del cable del electrodoméstico al alambre neutral (blanco).
  - b. Conecte los 2 alambres negros juntos.
  - c. Conecte los 2 alambres rojos juntos.
  - d. Conecte el alambre verde (o de cobre desnudo) de la puesta a tierra del alambre al alambre de puesta a tierra del cortacircuito, de la caja de fusibles o de la caja de empalmes.

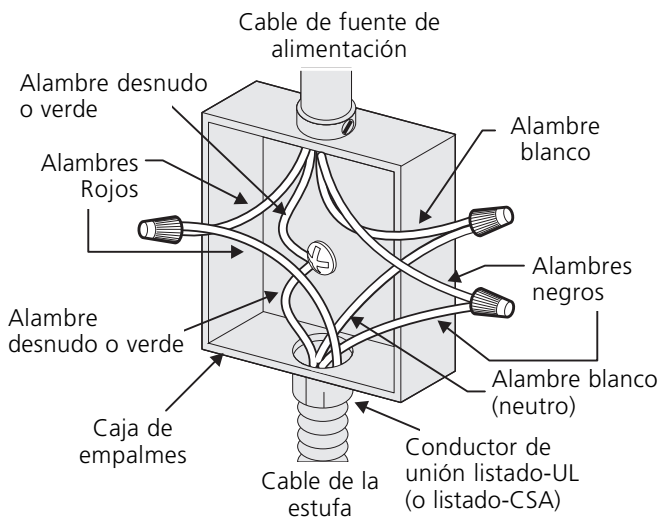


Figura 7 – Sistema eléctrico de 4 alambres (ejemplo caja de empalme)

## 4. Construcción de los Armarios

**PRECAUCION** Para eliminar el riesgo de quemaduras e incendios al tocar superficies sobre calentadas, se debe evitar colocar espacio para armarios de almacenamiento sobre las estufas con elementos al descubierto. Si se instalan armarios sobre la estufa, se pueden reducir tales riesgos instalando una campana purificadora que se proyecta horizontalmente un mínimo de 5" (12.7 cm) más afuera de la parte inferior de los armarios.

### Preparación del Mostrador

Los lados de la superficie de la estufa se superponen a los bordes recortados del mostrador.

Si el mostrador es **cuadrado (plano)**, no requerí ninguna preparación.

Si usted tiene un **mostrador de frente formado (encorvado)**, hay que resurar cada esquina frontal hasta que esté plano hasta 1/4" (0.64 cm) de la abertura.

Los mostradores embaldosados pueden requerir un recorte de 1/4" (0.64 cm) desde cada esquina delantera y/o un aplanamiento de los bordes redondeados.

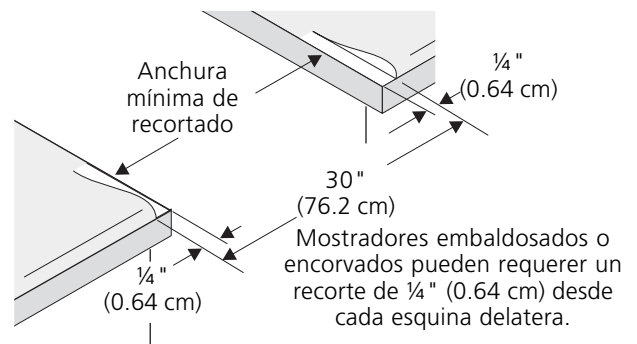


Figura 8

Si la anchura de la abertura de superficie del armario es mayor que la anchura mínima del recortado, ajuste la dimensión de 1/4" (0.64 cm).

**El mostrador debe estar nivelado.** Ponga un nivel sobre el mostrador, primero de un lado para otro y después de delante para atrás. Si el mostrador no está nivelado, la estufa tampoco lo estará. El horno debe estar nivelado para resultados satisfactorios de cocer. Los lados de la superficie de la estufa se encajan por encima de los bordes de la abertura del mostrador.

# INSTRUCCIONES DE INSTALACION PARA LA ESTUFA DE FUEL DUAL DE 30"

(Para Modelos con un Horno Eléctrico y una Estufa a Gas)

## 5. Instalación de la alimentación de gas

Esta unidad ha sido ajustada para operar con un múltiple de admisión para gas natural de 4" (1.0 kPa). Un regulador de presión convertible esta conectado a la válvula distribuidora y DEBE ser conectado en serie con la tubería de suministro de gas.

**Para la operación apropiada**, la máxima presión de entrada al regulador no debe exceder la presión de una columna de agua de 14 pulgadas (3.5 kPa).

La presión de entrada al regulador debe ser por lo menos 1 pulgada más grande que la válvula distribuidora (.25 kPa). El regulador ha sido ajustado para gas natural a 4 pulgadas de presión para la válvula distribuidora (1.0 kPa). La presión de entrada debe ser por lo menos de 5 pulgadas (1.25 kPa). Para propano líquido a 10 pulgadas de presión para la válvula distribuidora (2.5 kPa) la presión de entrada debe ser por lo menos de 11 pulgadas (2.75 kPa).

La tubería debería ser equipada con una válvula de cierre aprobada (vea Figura 9). Esta válvula debe ubicarse en la misma habitación que la estufa en un lugar que permita una una facilidad de abrir y cerrar. No bloquee el acceso a la válvula de cierre. La válvula es para abrir o cerrar el suministro de gas al aparato.

Abra la válvula de cierre en la línea de suministro de gas. Espere unos minutos a que el gas se mueva por el tubo.

El suministro de gas entre la válvula de cierre y el regulador se puede conectar con tubería rígida o con tubería flexible unión metálica conectada y aprobada por la AGA/CGA donde los códigos locales permiten.

La tubería del suministro de gas puede pasar por la pared lateral del armario derecho. El armario lateral derecho es un lugar ideal para la válvula de cierre principal.

**⚠ PRECAUCION** No haga que la conexión esté demasiado apretada. El regulador está fundido a troquel. Apretándolo demasiado podría romper el regulador resultando en escape de gas y posiblemente un incendio o explosión.

Monte el conector flexible desde el tubo de suministro de gas hasta el regulador de presión según este orden: 1- válvula de cierre manual, 2- adaptor de gas, 3- conector flexible, 4- adaptor de gas, 5- regulador de presión.

La tubería de suministro de gas debe ser de 1/2" o 3/4" D.I.

El consumidor debe saber la posición de la válvula principal de cierre y tener acceso fácil a ello.

Cuando se usa un conducto flexible en la estufa, permita suficiente flojedad como para sacar la estufa fuera del recortado para la limpieza y el servicio.

**NOTA:** No permita que el conducto se pellizque entre la pared y la estufa. Para verlo, saque el cajón.

Use un compuesto para juntas de tubería hecho para uso con gas natural y de LP/Propano para sellar todas las conexiones del gas. Si se usan los conectores flexibles asegúrese de que no estén enroscados.

**Para verificar si hay fugas en el electrodoméstico se debe de seguir las instrucciones del fabricante.**

**Asegúrese de que no haya escapes de gas.** Después de conectar la estufa al suministro de gas, compruebe el sistema con un menómetro. Si no tiene un manómetro, abre el gas y use un detector de fugas líquido en todas las juntas y conexiones para averiguar si hay escapes de gas.

**⚠ ADVERTENCIA** No use llama para controlar que no hayan pérdidas de gas. La comprobación de pérdidas de gas con una llama puede resultar en un incendio o explosión.

Se debe sellar todas las aberturas en la pared o el piso donde la estufa se instala.

**Apriete todas las conexiones** si hace falta para prevenir fugas de gas en la superficie de la estufa o en la línea de suministro.

**Asegúrese del alineamiento de las válvulas** después de conectar la superficie de la estufa con el suministro del gas para cerciorarse de que el tubo de escape no se haya movido.

**Desconecte esta estufa y su válvula individual de cierre** del sistema del suministro de gas durante cualquier prueba de presión de ese sistema a presiones mayores de 1/2 psig (3.5 kPa o 14" columna de agua).

**Aisla la estufa del sistema del suministro de gas** cerrando su válvula manual de cierre individual durante cualquier prueba de presión del suministro del gas a presiones iguales a menos de 1/2 psig (3.5 kPa o 14" columna de agua).

## 6. Conversión para uso de Propano Líquido

Este aparato puede ser usado con gas natural o propano líquido. Ha sido ajustado en la fábrica para operar con gas natural solamente.

Si desea convertir su estufa para uso con propano líquido, use los orificios provistos ubicados en el bolso que contiene la literatura titulada "FOR LP/PROPANE GAS CONVERSION". Siga las instrucciones que vienen con los orificios.



# INSTRUCCIONES DE INSTALACION PARA LA ESTUFA DE FUEL DUAL DE 30"

(Para Modelos con un Horno Eléctrico y una Estufa a Gas)

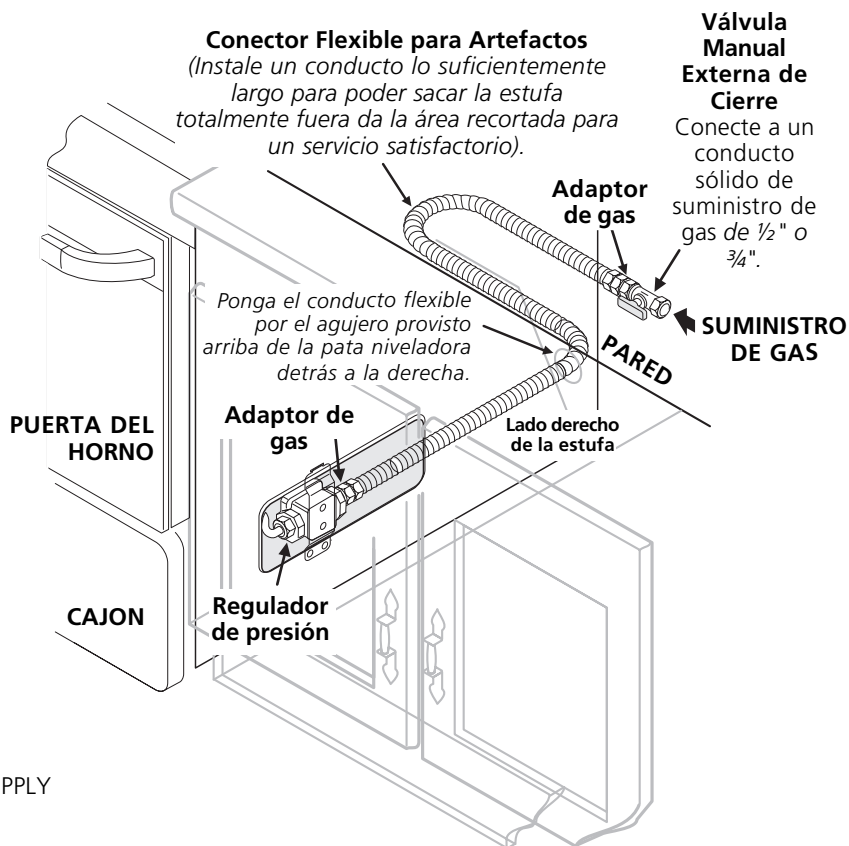
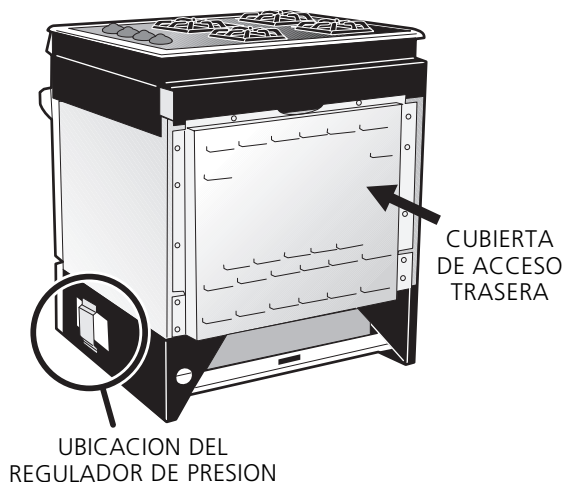


Figura 9

## Conversión para uso de Propano Líquido (continuación)

La conversión debe ser efectuado por un técnico de servicio capacitado, de acuerdo con las instrucciones del fabricante y con todos los códigos y requisitos de las autoridades correspondientes. El no seguir las instrucciones podría dar como resultado lesiones graves o daños a la propiedad. El organismo autorizado para llevar a cabo este trabajo asume la responsabilidad de la conversión.

**⚠ ADVERTENCIA** La falta de una conversión apropiada puede resultar en lesiones graves y daños a la propiedad.

## 7. La mudanza del aparato para reparaciones o limpieza

Apague la corriente eléctrica a la estufa a la fuente de poder principal, y apague la válvula de cierre manual de gas. Asegúrese de que la estufa esté fresca. Quite el cajón de servicio (el cajón calentador en algunos modelos) y abra la puerta del horno. Levante la frente de la estufa y deslícela fuera de la abertura sin crear tensión desmedida sobre el conducto flexible de gas. Asegúrese de no pellizque el conducto flexible de gas detrás de la estufa al reemplazar la unidad en la abertura. Reemplace el cajón, cierre la puerta y enciende el gas y la corriente eléctrica a la estufa.

El regulador debe desconectarse antes de mover el aparato, si el regulador de la estufa se conecta a una cañería rígida. Si la estufa se equipa con un cajón calentador, el regulador puede accesorarse mediante un panel lateral de lado. Quite los dos tornillos que aseguran el panel, entonces quite el panel. Desconecte el regulador de la cañería. Reensamble en orden inverso (consulte Figura 10).

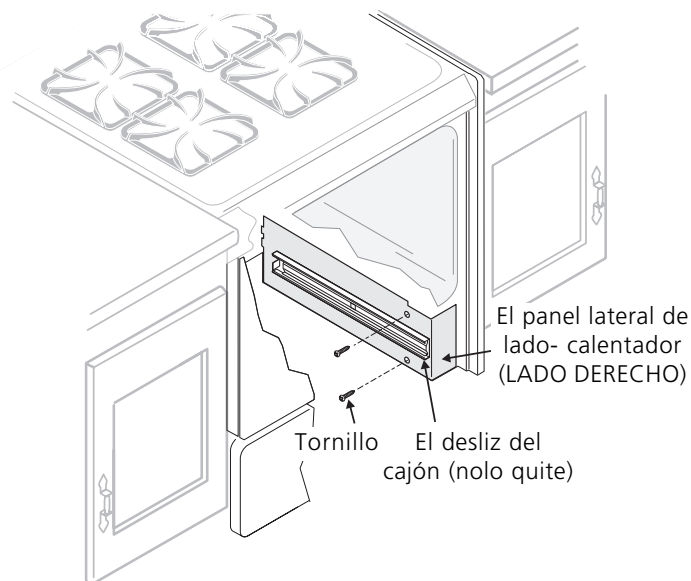


Figura 10

# INSTRUCCIONES DE INSTALACION PARA LA ESTUFA DE FUEL DUAL DE 30"

(Para Modelos con un Horno Eléctrico y una Estufa a Gas)

## 8. Instalación de la estufa

**⚠ PRECAUCION** Mientras se desembala la estufa, no deseche los cuatro (4) pernos de embalaje. Reemplácelos como patas niveladoras y para ajustar la altura de la unidad.

### 1. Instalación sin los paneles laterales

- La superficie de la estufa se sobrepone al mostrador por los lados y la estufa descansa sobre el piso. La estufa es de 30" (76.2 cm) de anchura.
- Instale los gabinetes de base con una separación de 29" (73.7 cm). Asegúrese de que se aplomaron y sean nivelados antes de juntar la estufa. Acepille la parte levantada del borde del mostrador dejando espacio para la superficie de la estufa de 30" (76.2 cm).
- Instale las puertas de los gabinetes con una separación mínima de 31" (78.7 cm) para que no obstruyan con la puerta de la estufa al abrirse.
- Recorte el mostrador exactamente según el dibujo en la página 1.
- Un protector trasero puede pedirse mediante su negociante.
- Ajuste a las piernas de nivelación de manera que la parte de abajo de la plancha de cocinar está apoyada contra el mostrador.
- Nivele la estufa. El piso donde la estufa se va a instalar tiene que estar nivelado** (Figura 11).

### 2. Instalación con los paneles laterales

- Instale los gabinetes de base con una separación mínima de 30 1/8" (76.5 cm). Asegúrese de que se aplomaron y sean nivelados.
- Instale las puertas de los gabinetes con una separación mínima de 31" (78.7 cm) para que no obstruyan con la puerta de la estufa al abrirse.
- Un protector trasero puede pedirse mediante su negociante.
- Un conjunto de paneles laterales puede pedirse mediante su negociante.
- Nivele la estufa y ajuste la altura de la estufa.

### 3. Instalación con un protector trasero

La profundidad del recortado de 21 5/8" (55 cm) necesita aumentarse a 24" (61 cm) al instalar un protector trasero.

## 9. Nivelación de la estufa

**Nivele la estufa y ajuste la altura de la estufa antes de instalarla en la abertura.**

- Coloque una parrilla del horno en el centro del horno.
- Ponga un nivel sobre la parrilla. Tome dos lecturas con el nivel puesto diagonalmente en una dirección y después en la otra. Nivele la estufa, si es necesario, ajustando las 4 patas niveladoras con una llave de tuercas (Figura 15).
- Asegúrese de no dañar al mostrador, deslice la estufa dentro de la abertura del hueco y vuelva a verificar a la nivelación. Si la estufa no está nivelada, arranque el electrodoméstico y vuelva a ajustar a las piernas o

asegúrese que el suelo está nivelado.

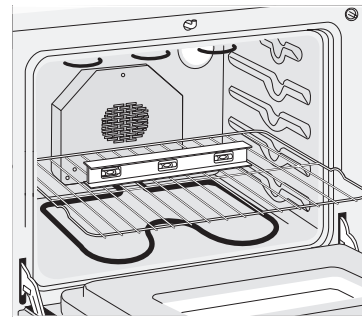


Figura 11

## 10. Comprobación del Funcionamiento

Consulte el Manual del Usuario incluido con la estufa para instrucciones de operación y instrucciones para el cuidado y limpieza de su estufa.

**⚠ PRECAUCION** No toque los elementos o quemadores. Pueden estar bastante calientes para causar quemaduras.

Quite todo el embalaje de la unidad antes de comprobarla.

### 1. Instale las tapas de los quemadores y de las tapas de los quemadores.

Esta estufa está equipada con quemadores sellados como se muestra más abajo (Figura 12).

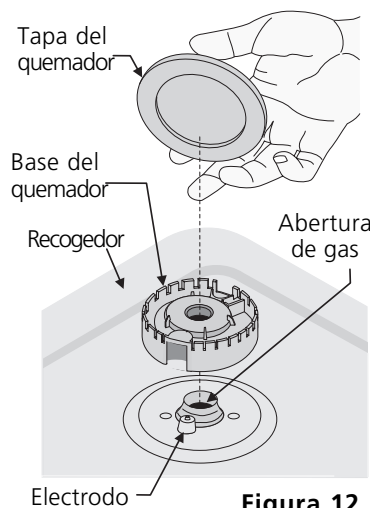


Figura 12

- Desembale las bases de los quemadores y las tapas de los quemadores.
- Coloque una base de quemador sobre cada abertura de gas.
- Asegúrese que el quemador está correctamente alineado y nivelado. Coloque las tapas de los quemadores sobre las correctas bases de quemadores.

**NOTA:** No hace falta ningún ajuste de quemador en esta estufa.

### 2. Enciende la corriente eléctrica y abre la válvula principal de cierre.

### 3. Comprobación de los Encendedores

El funcionamiento de los encendedores eléctricos debe ser comprobado después de que la estufa y los conectores a la tubería de suministro de gas hayan sido comprobados por escapes y la estufa haya sido conectada eléctricamente.

# INSTRUCCIONES DE INSTALACION PARA LA ESTUFA DE FUEL DUAL DE 30"

(Para Modelos con un Horno Eléctrico y una Estufa a Gas)

Para comprobar que el encendido sea correcto:

- Empuje y gire una perilla del quemador superior hasta la posición LITE (encender). Se podría oír el encendedor haciendo chispas.
- El quemador se deberá encender en cuatro (4) segundos para un funcionamiento normal, luego de que el aire haya sido purgado de la tubería de suministro de gas. Controle visualmente que el quemador se haya encendido.
- Luego que el quemador se haya encendido, la perilla debe ser girada fuera de la posición LITE.

Cada quemador tiene su encendedor individual. Controle las perillas separadamente hasta que todas las válvulas hayan sido controladas.

#### 4. Ajuste de la Posición LOW (BAJA) Para la Válvula del Quemador Superior (Figura 13)

- Gire la perilla a la posición LITE (encender) hasta que el quemador encienda.
- Rápidamente gire la perilla a la POSICION MAS BAJA.
- Si el quemador se apaga, reajuste la válvula de la siguiente forma: Mueva el control a la posición OFF (apagada). Saque la perilla del control del quemador superior, inserte un destornillador plano pequeño en el hueco del vástago de la válvula hasta enganchar el tornillo interior. El tamaño de la llama puede ser aumentado o disminuido girando el tornillo. Ajuste el tamaño de la llama hasta que pueda pasar rápidamente de la posición LITE hasta la posición MAS BAJA sin que se apague la llama. La llama debe ser lo más pequeña posible sin que se apague.

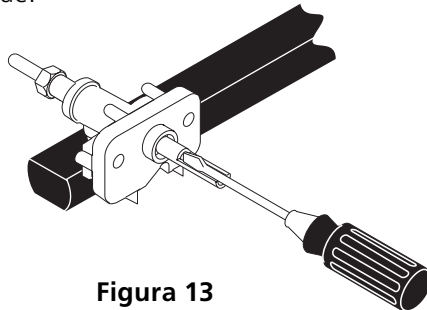


Figura 13

#### 5. Funcionamiento de los Elementos del Horno

El horno está equipado con un control electrónico. Cada función ha sido probada en la fábrica antes del transporte. Sin embargo, sugerimos que Ud. verifique el funcionamiento de los controles del horno una vez más. Véase el [Manual del Usuario](#) para la operación. Siga las instrucciones par el Reloj Minutero, Cocer, Asar, Convección (algunos modelos) y las funciones de limpieza.

**Cocer/Bake**—Después de poner el horno a 350°F (177°C) para cocer, el elemento inferior debe ponerse rojo

**Asar/Broil**—Cuando está puesto para BROIL, el elemento superior se debe poner rojo.

**Limpeza/Clean**—Cuando el horno está puesto para un ciclo de auto-limpieza, el elemento superior se pondrá rojo durante el período de precalentamiento del ciclo. Después de alcanzar la temperatura de auto-limpieza, el elemento inferior se pondrá rojo.

**Convección/Convection (algunos modelos)**—Cuando el horno se pone a CONV. BAKE/ROAST a 350°F (177°C), los dos elementos se enciendan y se apagan alternando en un ciclo y el ventilador se pone en marcha. El ventilador de convección se parará cuando se abre la puerta del horno durante el cocido o el asado por convección.

**Cajón calentador (algunos modelos)**—Ponga la perilla de control a HI y verifique que se está calentando el cajón.

#### Después de Terminar la Instalación

Asegúrese de que todos los controles estén en la posición OFF (apagada).

Asegúrese de que el flujo del aire de combustión y de ventilación a la estufa no esté obstruido.

#### Ubicación del Número de Modelo y de Serie

La placa con el número de serie está ubicada en el marco delantero del horno detrás de la puerta del horno (algunos modelos) o detrás del cajón (algunos modelos).

Cuando haga pedidos de repuestos o solicite información con respecto a su estufa, esté siempre seguro de incluir el número de modelo y de serie y el número o letra del lote de la placa de serie de su estufa.

La placa con el número de serie también le da la potencia nominal de los quemadores, el tipo de combustible y la presión a la cual fue ajustada la estufa en la fábrica.

#### Antes de Llamar al Servicio

Lea la sección Evite Llamadas de Servicio en su [Manual del Usuario](#). Esto le podrá ahorrar tiempo y gastos. Esta lista incluye ocurrencias comunes que no son el resultado de defectos de materiales o fabricación de este artefacto.

Lea la garantía y la información sobre el servicio en su [Manual del Usuario](#) para obtener el número de teléfono gratuito y la dirección del servicio. Por favor llame o escriba si tiene preguntas acerca de su estufa o necesita repuestos.

# INSTRUCCIONES DE INSTALACION PARA LA ESTUFA DE FUEL DUAL DE 30"

(Para Modelos con un Horno Eléctrico y una Estufa a Gas)

## 11. Importante Advertencia de Seguridad

Para reducir el riesgo de que la estufa se vuelque, es necesario asegurarla al piso instalando los soportes antivuelco y los tornillos suministrados con la estufa. Las piezas se encuentran en un saco de plástico en el horno. Si no se instalan los soportes antivuelco, la estufa se puede volcar si se coloca exceso de peso en una puerta abierta o si un niño se sube a ella. Se pueden ocasionar lesiones graves causadas por los líquidos calientes derramados o por la estufa misma.

Siga las instrucciones que más abajo se indican para instalar los soportes antivuelco.

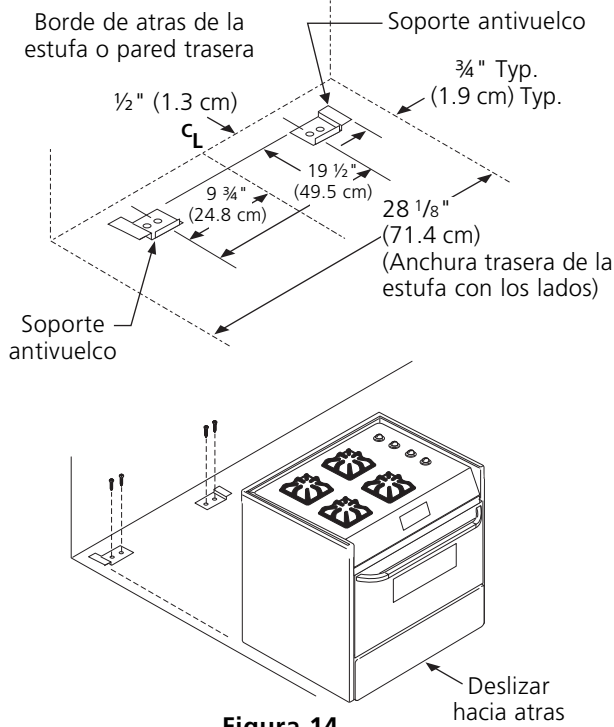
Si la estufa es movida a otro lugar, los soportes antivuelco deben también ser movidos e instalados en la estufa. Para controlar la instalación apropiada, vea el paso número 5.

### Herramientas Necesarias:

Llave de tuerca de 5/16" o destornillador para tornillos de cabeza plana  
Llave inglesa  
Taladro eléctrico  
Broca de 3/16" de diámetro  
Broca para taladro de mampostería de 3/16" de día. (si se está instalando en concreto)

## Instrucciones de Instalación del Soporte Antivuelco

Los soportes se fijan al suelo en la parte trasera de la estufa para sujetar ambos niveladores de las patas traseras. Cuando los esté instalando al piso, asegúrese de que los tornillos no penetren el alambrado eléctrico o



plomería. Los tornillos provistos pueden utilizarse en madera o concreto.

1. Desdoble la plantilla de papel y colóquela plana en el piso con los bordes laterales y el trasero colocados exactamente donde la parte trasera y los lados de la estufa serán colocados cuando sea instalada. (Use el diagrama siguiente para ubicar los soportes si no se dispone de la plantilla).
2. Marque en el piso la ubicación de los 4 agujeros de montaje como se muestra en la plantilla. Para facilitar la instalación, se pueden taladrar agujeros piloto de 3/16" (0.5 cm) de día. y 1/2" (1.3 cm) de profundidad en el piso.
3. Saque la plantilla y coloque los soportes en el piso con la brida hacia arriba dirigida hacia el frente. Alinee los agujeros en los soportes con las marcas en el piso y sujete con los 4 tornillos provistos. Los soportes deben estar asegurados al piso firme. Si se va a instalar en piso de concreto, primero debe taladrar agujeros guía de 3/16" (0.5 cm) de diámetro usando una broca para taladro de mampostería.
4. Nivele la estufa si es necesario ajustando las cuatro patas niveladoras con una llave (Ver la Figura 15 abajo). Se requiere un espacio libre mínimo de 1/8" (0.8 cm) entre la parte inferior de la estufa y los niveladores de las patas traseras para dejar espacio para los soportes antivuelco.
5. Deslice la estufa a su lugar asegurándose de que las patas traseras estén sujetas por los extremos de los soportes. La estufa puede necesitar ser movida ligeramente a un lado cuando está siendo empujada hacia atrás para permitir que las patas se alineen con los soportes. Usted también puede asir el borde trasero de la cima de la estufa y cuidadosamente intentar voltearla para asegurarse de que la estufa sea adecuadamente anclada.

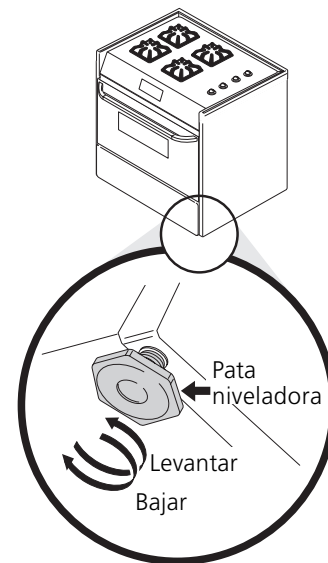
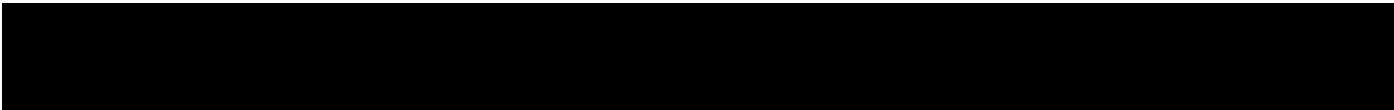


Figura 15



## Notas - Notes



# WIRING DIAGRAM - DIAGRAMA DE LA INSTALACIÓN ALÁMBRICA

Wiring diagram for models equipped with that timer  
 Diagrama de la instalación alámbrica para modelos equipado con este programador

