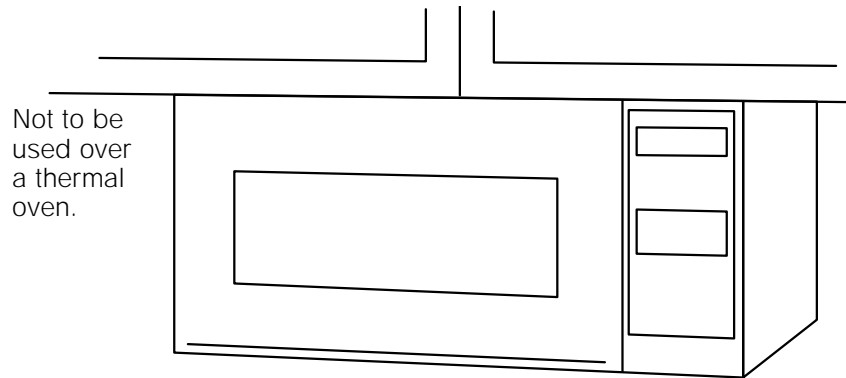




GE Appliances

## JEM31GY—Spacemaker II™ Microwave Oven

### Dimensions (in inches)



| Exterior Dimensions* (in inches) |                              |
|----------------------------------|------------------------------|
| W x H x D                        | 23-13/16 x 11-3/16 x 12-5/16 |

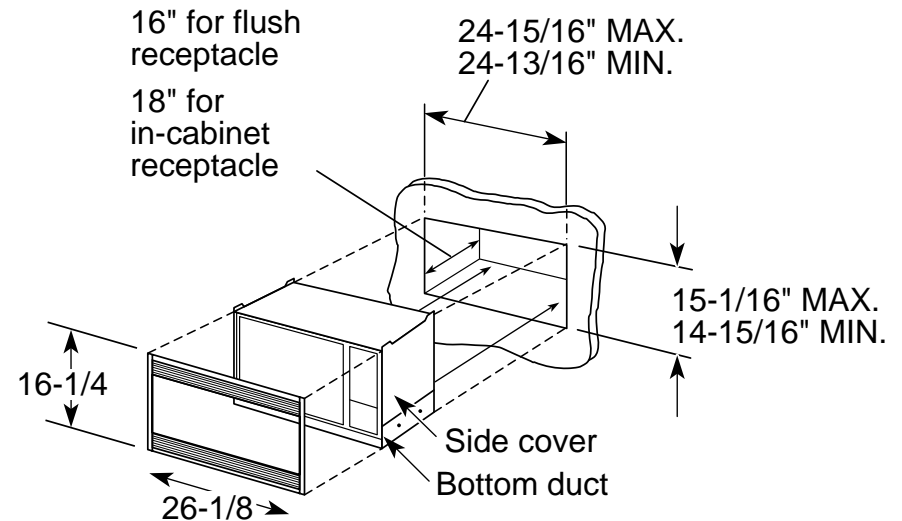
\*Height includes feet.

**Note:** Undercabinet Mounting Kit Pub. No. 4-A019-4 for Spacemaker II™ Microwave Oven is available at additional cost.

**Undercabinet Installation:** Install Spacemaker II™, Compact and Subcompact microwave ovens in just a few easy steps with the mounting template, which provides all the necessary measurements. (Installation may vary depending on cabinets.) These microwave ovens can be installed on practically any wood or metal cabinets.

**Note:** Requires 120V electrical outlet.

### .8 Accessory Trim Kit, JX827BN Cutout Dimensions (in inches)



### Optional Accessory Trim Kits for .8 Microwave Ovens (Available at additional cost)

For a custom built-in appearance, this kit allows built-in installation of the Spacemaker II™ microwave oven into a wall or cabinet alone, and is U.L. approved for installation over a GE single electric wall oven. This kit should not be installed over a gas wall oven.

**Note:** 120V, 60-cycle, grounded power receptacle location optional on back within cabinet opening.

**Installation Information:** This information is not intended to be used for installing unit described. Before installing, consult installation instructions packed with product/kit for current dimensional data.

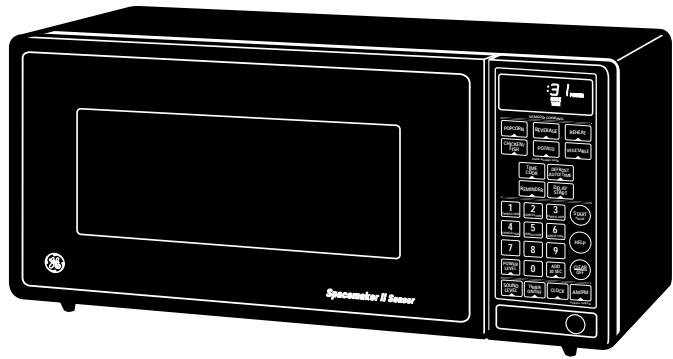
For answers to your Monogram®, GE Profile Performance Series™, GE Profile™, GE, Hotpoint and RCA appliance questions, call GE Answer Center® service, 800.626.2000.





GE Appliances

## JEM31GY—Spacemaker II™ Microwave Oven



### Features and Benefits

- 0.9 cu. ft. Oven Capacity
- 800 Watts\*
- Electronic Touch Controls
- Sensor Cooking Controls For Popcorn, Beverage, Reheat and Cook Pads
- Electronic Scrolling Digital Display With Clock
- Micro Cook I & II
- Express Cook with Instant On Controls
- Auto Defrost/Time Defrost
- Add 30 Seconds
- Delay/Start Reminder
- 99-Min./99-Sec. Kitchen Timer
- Sound On/Off
- Child Lock Out
- 10 Power Levels
- Built-In or Undercabinet Hanging Kit Available at Additional Cost
- Model JEM31WY—White on White
- Model JEM31GY—Black with Greystone Case

\*IEC-705 Test Procedure