



Frigidaire

Factory Parts Catalog

Product No.	CGLMV169GBA	CGLMV169GSA	CPLMZ169GCA
Market	Canada	Canada	Canada
Color	black	white	stainless steel
Volts	120	120	120
Watts	1000	1000	1000
Wiring Diagram	5995511473	5995511473	5995511473
Owner's Guide	TINSEB380MRR2	TINSEB380MRR2	TINSEB380MRR2
Installation Instructions	TINSEB385MRR1	TINSEB385MRR1	TINSEB385MRR1



Electrolux Major Appliances
 North & Latin America
 5855 TERRY FOX WAY
 MISSISSAUGA, ONTARIO, CANADA L5V
 3E4

Publication No.
5995511473
 08/04/10
 (EN/SERVICE/KC)
 099

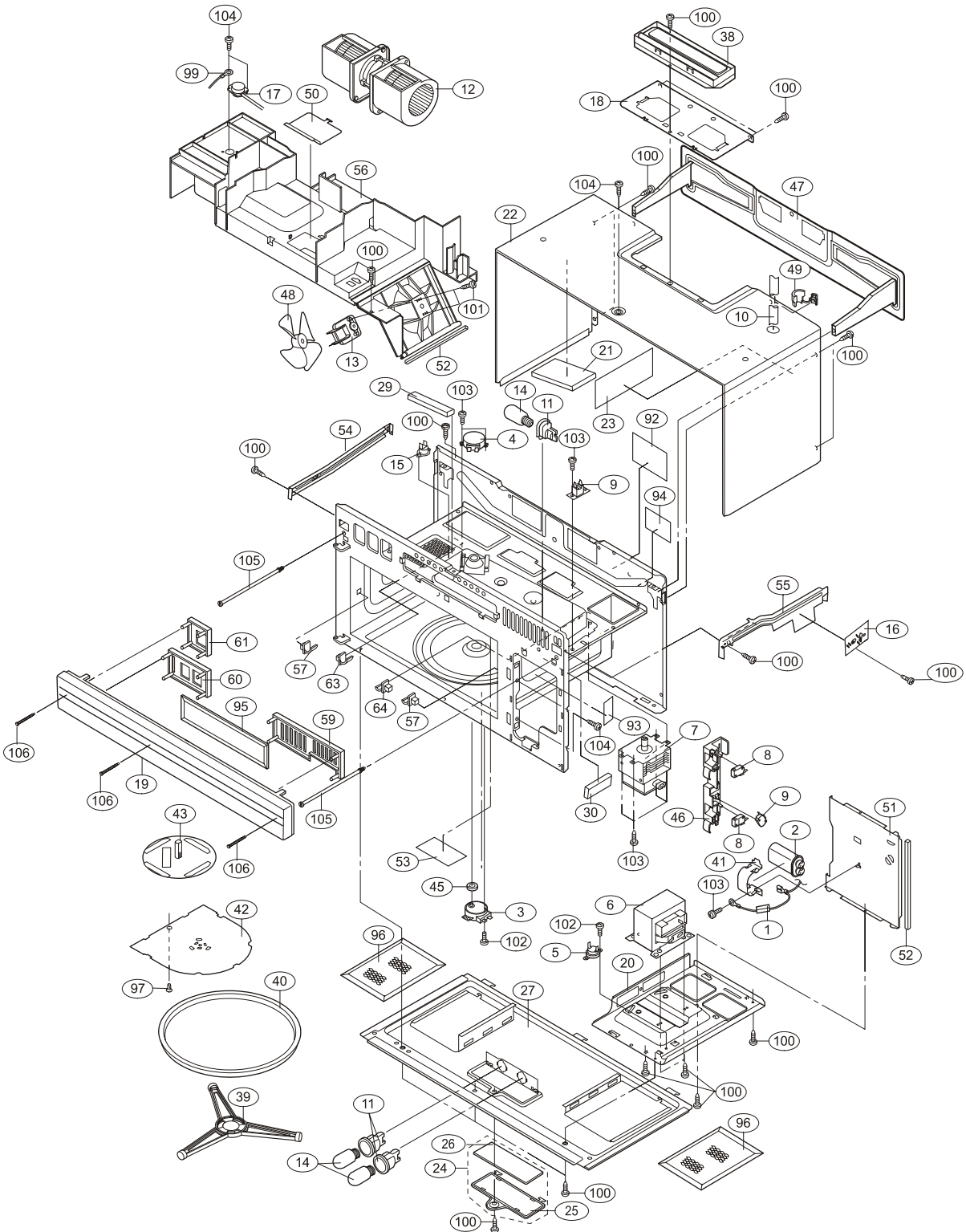
**OVER-RANGE
 MICROWAVE**

Model No.
 CGLMV169G /
 CPLMZ169G

Copyright © 2008 Electrolux Home Products, Inc.
 All rights reserved.

OVEN, CABINET

OVEN AND CABINET PARTS



CGLMV169G-07-11-OVN

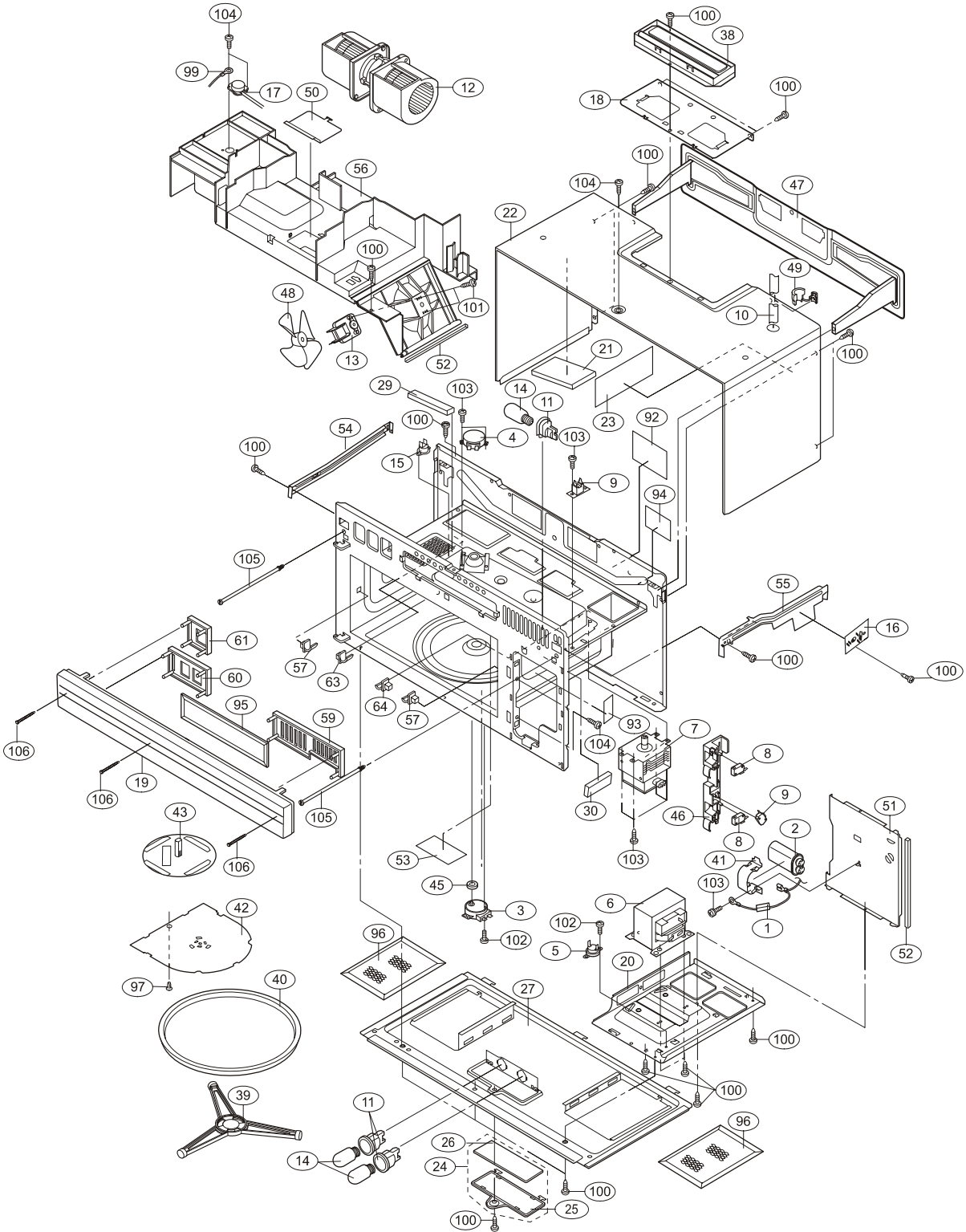
OVEN,CABINET

Model Index: A CGLMV169G (CGLMV169GBA)
 B CGLMV169G (CGLMV169GSA)
 C CPLMZ169G (CPLMZ169GCA)

POS. NO	PART NO.		DESCRIPTION
1 #	5304461352	A B C	Rectifier, high voltage
2 #	5304440342	A B C	Capacitor, high voltage
3 #	5304448488	A B C	Motor, turntable
4 #	5304448489	A B C	Motor, stirrer fan
5 #	5304440023	A B C	Thermal Cutout, hood
6 #	5304456053	A B C	Transformer, power
7 #	5304440025	A B C	Magnetron
8 #	5304440026	A B C	Switch, interlock, door sensor
9 #	5304440027	A B C	Switch Kit, monitor, with CT fuse
10 #	5304440028	A B C	Power Cord, electric
11 #	5303319561	A B C	Receptacle, lamp socket, oven
12 #	5304440029	A B C	Motor, hood fan
13 #	5304448490	A B C	Motor, cooling fan
14	5304440031	A B C	Lamp, incandescent, 20 W, (3)
15 #	5304440032	A B C	Thermal Cutout, oven cavity
16 #	5303322968	A B C	Filter, noise, electronic
17 #	5304440033	A B C	Sensor, humidity, cook control
18	5304440232	A B C	Plate, rear stay
19	5304461354	A - -	Grille, exhaust, black
19	5304461356	- B -	Grille, exhaust, white
19	5304461357	- - C	Grille, exhaust, stainless steel
20	5304440236	A B C	Base, transformer, right side
21	5304440237	A B C	Cushion, cabinet
22	5304445465	A - C	Cabinet, outer casing, black
22	5304445466	- B -	Cabinet, outer casing, white
23	5304440344	A B C	Wiring Diagram, schematic
24	5303319573	A - C	Lens/Frame Assy, lamp
24	5304458209	- B -	Lens/Frame Assy, lamp, white
25	5303319574	A - C	Frame, lens holder
25	5304458210	- B -	Frame, lens holder, white
26	5303319575	A B C	Lens, cooktop lamp, glass
27	5304451823	A - C	Cover, unit base, black
27	5304451824	- B -	Cover, unit base, white
29	5304441369	A B C	Cushion, cavity top pnl
30	5304441370	A B C	Cushion, magnetron pad
38	5304440283	A B C	Damper Assy, exhaust
39	5304440284	A B C	Support Assy, turntable
40	5304440285	A B C	Tray, turntable, glass
41	5303319587	A B C	Retainer, capacitor strap
42	5304440286	A B C	Cover, stirrer fan
43 #	5304440287	A B C	Stirrer Assembly
45	5304440288	A B C	Bushing, motor shaft, turntable
46	5304440289	A B C	Latch Hook
47	5304440290	A B C	Bracket, unit mtg plate, rear
48 #	5304440291	A B C	Fan Blade, mag cooling fan
49	5303319605	A B C	Bushing, grommet, power cord
50	5304440292	A B C	Cover, oven lamp
51	5304440293	A B C	Duct, hood intake, right side

OVEN, CABINET

OVEN AND CABINET PARTS



CGLMV169G-07-11-OVN

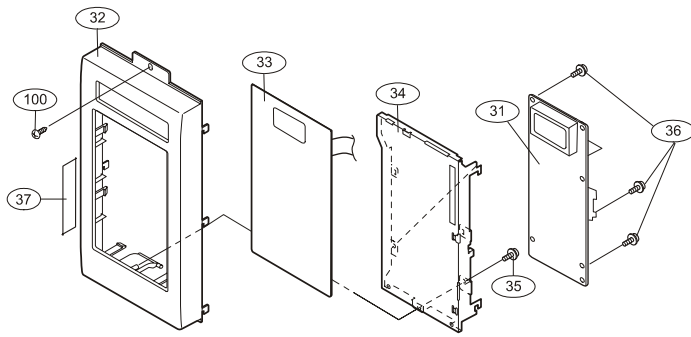
OVEN,CABINET

Model Index: A CGLMV169G (CGLMV169GBA)
 B CGLMV169G (CGLMV169GSA)
 C CPLMZ169G (CPLMZ169GCA)

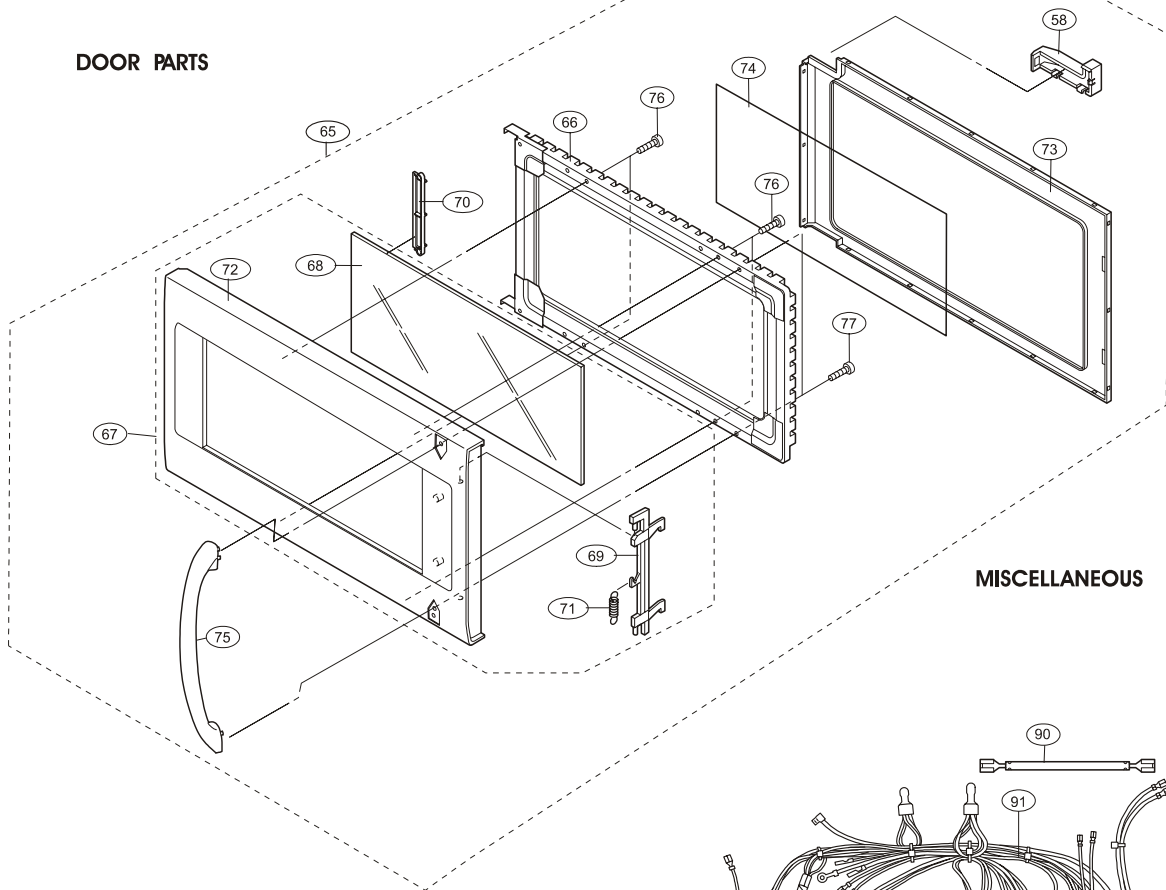
POS. NO	PART NO.		DESCRIPTION
52	5304440294	A B C	Cushion, intake duct
53	5304440295	A B C	Lens, lamp filter
54	5304461366	A B C	Support, chassis, left side
55	5304461367	A B C	Support, chassis, right side
56	5304451828	A B C	Duct, exhaust hood
57	5304440299	A B C	Support, rack, front
59	5304459558	- - C	Cover A, grille louver
60	5304462811	- - C	Cover B, grille louver
61	5304462812	- - C	Cover C, grille louver
63	5304441371	A B C	Support, rack, left rear
64	5304441372	A B C	Support, rack, right rear
92	5304440333	A B C	Label, Caution-DHHS
93	5304440334	A B C	Label, Caution-monitor
94	5304451533	A B C	Label, NHW caution
95	5304440335	A B C	Filter, inside exhaust, charcoal
96	5303319568	A B C	Filter, grease, (2)
97	5304440337	A B C	Clip, canoe type, stirrer cover
99 #	5304440339	A B C	Wire, sensor ground
100	5304451553	A B C	Screw, 4 mm x 12 mm
101	5304450253	A B C	Screw, 4 mm x 8 mm
102	5304462830	A B C	Screw, 4mm x 8mm
103	5303319639	A B C	Screw, wrapper, back
104	5303319641	A B C	Screw
105	5304440341	A B C	Screw, unit mounting
106	5303319640	A - C	Screw, black
106	5303319663	- B -	Screw, white

CONTROL PANEL,DOOR,MISC.

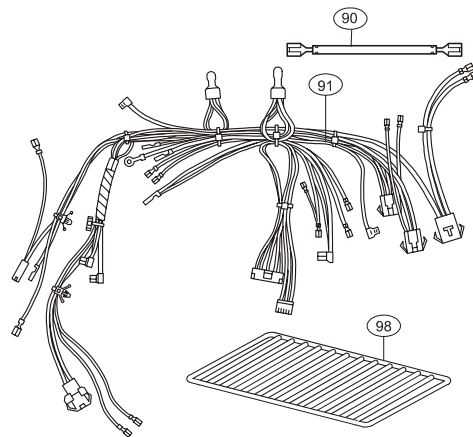
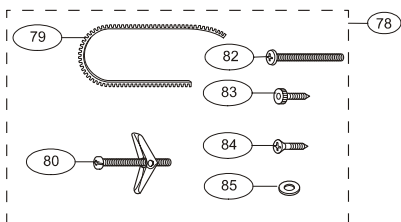
CONTROL PANEL PARTS



DOOR PARTS



MISCELLANEOUS



CGLMV169G-07-11-07-CONT

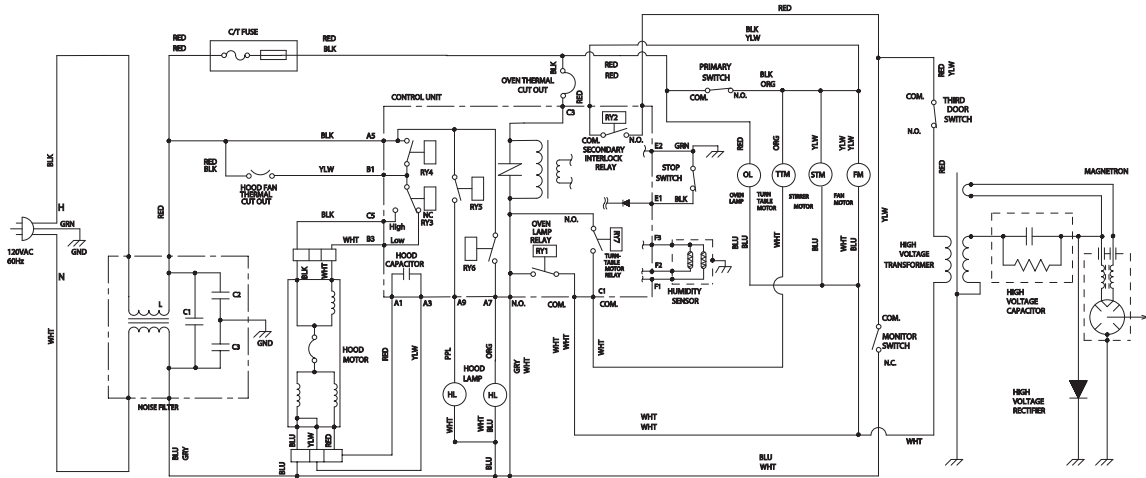
CONTROL PANEL,DOOR,MISC.

Model Index: A CGLMV169G (CGLMV169GBA)
 B CGLMV169G (CGLMV169GSA)
 C CPLMZ169G (CPLMZ169GCA)

POS. NO	PART NO.		DESCRIPTION
31 #	5304440245	A B C	Control Board, printed circuit
32	5304461358	A - -	Frame, control panel, black
32	5304461360	- B -	Frame, control panel, white
32	5304461361	- - C	Frame, control panel, stainless steel
33 #	5304461362	A - -	Touch Control, key pad, black
33 #	5304461364	- B -	Touch Control, key pad, white
33 #	5304443989	- - C	Touch Control, key pad, black
34	5304461365	A B C	Panel, control mount
35	5304458568	A B C	Screw, 3 mm x 10 mm
36	5304456930	A B C	Screw, 3 mm x 10 mm
37	5304440346	A B C	Label, User Caution
58	5304440300	A B C	Door Stop
65 #	5304461368	A - -	Door Assy, black, w/handle
65 #	5304461370	- B -	Door Assy, white, w/handle
65 #	5304461371	- - C	Door Assy, stainless, w/handle
66	5304440305	A - C	Panel, inner door, black
66	5304440306	- B -	Panel, inner door, white
67	5304461372	A - -	Frame Assembly, door, black, w/glass & latch
67	5304461374	- B -	Frame Assembly, door, white, w/glass & latch
67	5304466769	- - C	Frame Assembly, door, stainless, w/glass & latch
68	Not Replaceable	A B	Order complete door assembly (Item 65)
68	5304440311	- - C	Panel, glass, door front
69	5304440314	A B C	Latch, door
70	5304440315	A B C	Clip, glass retainer, door
71	5304440316	A B C	Spring, door latch
72	5304451829	- - C	Frame, outer door, black
72	Not Replaceable	A B	Order complete door assembly (Item 65)
73	5304440320	A B C	Frame, choke cover, inner door
74	5304440321	A B C	Seal, door, film
75	5304461375	A - -	Handle, door, black
75	5304461377	- B -	Handle, door, white
75	5304456145	- - C	Handle, door, stainless steel
76	5304451561	A B C	Screw, 4 mm x 8 mm
77	5304458213	A B C	Screw, 4 mm x 12 mm
78	5303319625	A B C	Hardware, installation, kit
79	5303318761	A B C	Sleeve, power cord, grommet
80	5303318762	A B C	Screw, toggle
82	5304453895	A B C	Screw, 5mm x 85mm
83	5304451553	A B C	Screw, 4 mm x 12 mm
84	5304453723	A B C	Screw, 5mm x 35mm
85	5304453724	A B C	Washer
90 #	5304440331	A B C	Wire, high voltage-A
91	5304462831	A B C	Wire harness, main-A
98	5304440338	A B C	Rack, microwave oven, wire
100	5304440340	A B C	Screw, 4mm x 12mm
*	5304451830	A B C	Template, installation, top
*	5304451831	A B C	Template, installation, wall

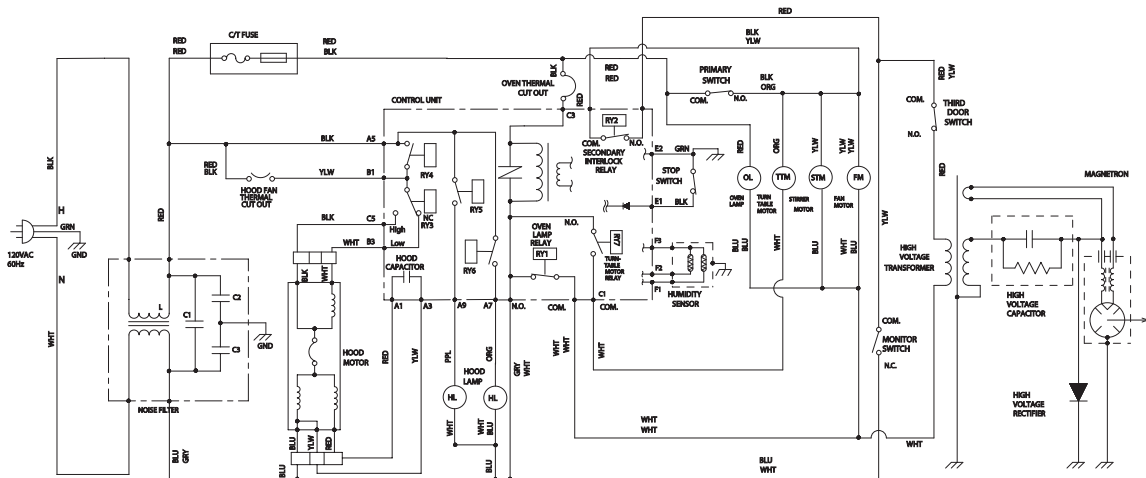
WIRING SCHEMATIC

SCHEMATIC
 NOTE: CONDITION OF OVEN
 1. DOOR CLOSED
 2. CLOCK APPEARS ON DISPLAY



Oven Schematic-Off Condition

SCHEMATIC
 NOTE: CONDITION OF OVEN
 1. DOOR CLOSED
 2. COOKING TIME PROGRAMMED
 3. VARIABLE COOKING CONTROL "HIGH"
 4. "START" PAD TOUCHED



CGLVM169 wiring schematic

Oven Schematic-Cooking Condition