
INSTALLATION INSTRUCTIONS UNDERCOUNTER DISHWASHER PLASTIC GIANT TUB MODELS

INSTRUCTIONS D'INSTALLATION LAVE-VAISSELLE ENCASTRE MODELES À TRES GRANDE CUVE EN PLASTIQUE

TABLE OF CONTENTS

DISHWASHER SAFETY	2
INSTALLATION REQUIREMENTS	3
Tools and Parts.....	3
Location Requirements.....	3
Drain Requirements.....	4
Water Supply Requirements.....	5
Electrical Requirements.....	5
INSTALLATION INSTRUCTIONS	5
Prepare Cabinet Opening Using existing utility hookups.....	5
Prepare Cabinet Opening Where There Are No Existing Utility Hookups.....	7
Install Moisture Barrier.....	11
Prepare Dishwasher.....	11
Install the Door Handle.....	12
Custom Panel Dimensions.....	13
Install Custom Panel.....	13
Choose Attachment Option.....	14
Move Dishwasher to Final Location.....	16
Level the Dishwasher.....	16
Make Electrical Connection.....	16
Connect to Water Supply.....	18
Connect to Drain.....	18
Secure Dishwasher in Cabinet Opening.....	19
Complete Installation.....	19

TABLE DES MATIÈRES

SÉCURITÉ DU LAVE-VAISSELLE	21
EXIGENCES D'INSTALLATION	22
Outils et pièces.....	22
Exigences d'emplacement.....	22
Exigences concernant l'évacuation.....	23
Spécifications de l'alimentation en eau.....	24
Spécifications électriques.....	24
INSTRUCTIONS D'INSTALLATION	24
Aménagement de la cavité d'encastrement du placard Utilisation des moyens de raccordement préexistants.....	24
Préparation de l'espace d'encastrement du placard non doté de moyens de raccordement.....	27
Installation de la barrière anti-humidité.....	30
Préparation du lave-vaisselle.....	31
Installation de la poignée de porte.....	32
Dimensions du panneau personnalisé.....	33
Installation de panneau personnalisé.....	33
Choose l'option d'attachement.....	34
Déplacer le lave-vaisselle jusqu'à son emplacement final.....	36
Établissement de l'aplomb du lave-vaisselle.....	36
Raccordement électrique.....	36
Raccordement à la canalisation d'eau.....	38
Raccordement à l'évacuation.....	38
Fixation du lave-vaisselle dans l'espace d'encastrement.....	39
Achever l'installation.....	39

DISHWASHER SAFETY

Your safety and the safety of others are very important.

We have provided many important safety messages in this manual and on your appliance. Always read and obey all safety messages.



This is the safety alert symbol.

This symbol alerts you to potential hazards that can kill or hurt you and others.

All safety messages will follow the safety alert symbol and either the word "DANGER" or "WARNING." These words mean:

⚠ DANGER

You can be killed or seriously injured if you don't immediately follow instructions.

⚠ WARNING

You can be killed or seriously injured if you don't follow instructions.

All safety messages will tell you what the potential hazard is, tell you how to reduce the chance of injury, and tell you what can happen if the instructions are not followed.

⚠ WARNING



Tip Over Hazard

Do not use dishwasher until completely installed.

Do not push down on open door.

Doing so can result in serious injury or cuts.

You need to:

- Slowly open dishwasher drawer while someone grasps the rear of the dishwasher. Remove shipping materials. Close dishwasher drawer. Latch the dishwasher drawer shut.
- Observe all governing codes and ordinances.
- Install this dishwasher as specified in these instructions.
- Have everything you need to properly install dishwasher.
- Contact a qualified installer to ensure that dishwasher is installed to meet all electrical and plumbing national and local codes and ordinances.

INSTALLATION REQUIREMENTS

Tools and Parts

Gather the required tools and parts before starting installation. Read and follow the instructions provided with any tools listed here.

Tools needed

- Pliers
- Phillips screwdriver
- Flat-blade screwdriver
- 5/16" and 1/4" nut drivers or hex sockets
- Measuring tape or ruler
- 1 1/2" hole saw bit
- Twist-on wire connectors [proper size to connect household wiring to 16-gauge wiring in dishwasher] (2)
- 15 TORX[†] screwdriver (if installing custom front panels)
- 10" adjustable wrench (opens to 1 1/8" [2.9 cm])
- Utility knife
- Level
- Cordless drill
- 5/8" open-end wrench
- Flashlight
- Shallow pan
- Wood block
- Bath towel

Parts needed

- 90° elbow with 3/8" N.P.T. external threads on one end. (The other end must fit your water supply line.)
- Teflon^{††} tape or pipe joint compound
- Shims
- #10 x 1/2" wood screws (if installing custom front panels) (4)

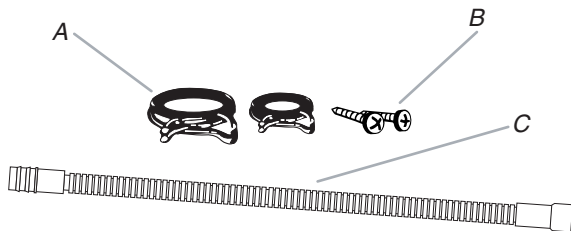
Tools needed (new installation)

- Cordless drill
- 1/2", 3/4" and 1 1/2" hole saw bits
- Small tubing center
- Wire stripper
- 1 1/2" to 2" screw-type clamp (if connecting to waste-tee)

Parts needed (new installation)

- Copper tubing (3/8" recommended) or
- Flexible stainless steel braided fill line
- Clamp connector or conduit connector (to fit a 7/8" [2.2 cm] diameter hole)

Parts supplied



- A. Drain hose clamps [1 large and 1 small] (2)
- B. #10 x 1/2" Phillips-head screws (2)
- C. Drain hose

Additional parts supplied (top-venting models only)

- Bottom sound pad (located in lower rack)
- Moisture barrier tape

Make sure all these parts are included. If not, call **1-800-253-1301**.

See separate parts list for accessories available for your dishwasher.

Location Requirements

Do not run drain lines, water lines or electrical wiring where they can interfere with or contact the dishwasher motor or legs.

The location where the dishwasher will be installed must provide clearance between motor and flooring. Motor should not touch the floor.

Do not install dishwasher over carpeted flooring.

Shelter dishwasher and water lines leading to dishwasher against freezing. Damage from freezing is not covered by the warranty.

A side panel kit is available from your dealer for installing your dishwasher at the end of your cabinetry.

A moisture barrier accessory (Part Number 4396277) is available from your dealer for installing underneath the countertop, but is not required. Call **1-800-253-1301** for ordering.

Check location where the dishwasher will be installed. The location must provide:

- Easy access to water, electricity and drain.
- Convenient access for loading and unloading dishes. Corner locations require a 2" (5.1 cm) minimum clearance between the side of the dishwasher door and the wall or cabinet.
- Square opening for proper orientation.
- Cabinet front perpendicular to floor.
- Level floor. If the floor at the front of the dishwasher is not level with the rear of the opening, shims may be needed to level the dishwasher.

NOTE: To avoid shifting during dishwasher operation, shims must be securely attached to the floor.

If the dishwasher will be left unused for a period of time or it is in a location where it may be subject to freezing, have it winterized by authorized service personnel.

Make sure pipes, wires and drain hose are within the shaded area shown in the "Cutout dimensions" section.

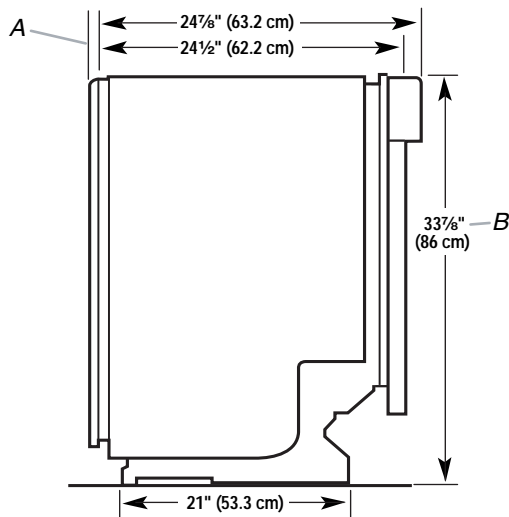
Helpful Tip: If the floor in the dishwasher opening is uneven (example: tile flooring only partway into opening), accurately measure the dimensions and level the dishwasher.

[†]@TORX is a registered trademark of Acument Intellectual Properties, LLC

^{††}@Teflon is a registered trademark of E.I. DuPont de Nemours and Company.

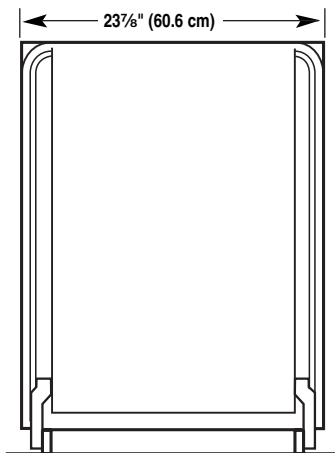
Product Dimensions

Side View



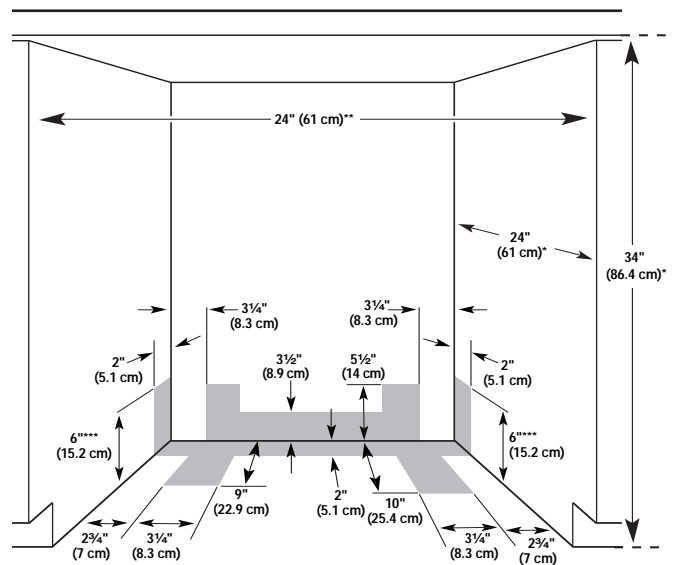
- A. $\frac{3}{4}$ " (1.9 cm) insulation may be compressed (not used on all models)
 B. $33\frac{7}{8}$ " (86 cm) minimum with wheels removed

Rear View



Installation Clearances

Cutout dimensions



- Cut holes in shaded area of cabinet walls or floor as specified below:
 Water line - $\frac{1}{2}$ " (1.3 cm)
 Drain line - $1\frac{1}{2}$ " (3.8 cm)
 Direct wire - $\frac{3}{4}$ " (1.9 cm)
 Power supply cord - $1\frac{1}{2}$ " (3.8 cm)

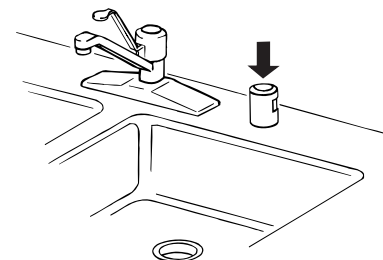
*Measured from the lowest point on the underside of the countertop. May be reduced to $33\frac{7}{8}$ " (86 cm) by removing the wheels from the dishwasher.

**Minimum, measured from narrowest point of opening.

***May be increased to $6\frac{5}{8}$ " (16.6 cm) if height of opening is $34\frac{1}{2}$ " (87.6 cm) at its lowest point.

Drain Requirements

- Use the new drain hose supplied with your dishwasher. If this is not long enough, use a new drain hose with maximum length of 12 ft (3.7 m) that meets all current AHAM/IAPMO test standards, is resistant to heat and detergent, and fits the 1" (2.5 cm) drain connector of the dishwasher.
- Connect drain hose to waste tee or disposer inlet above drain trap in house plumbing and 20" (50.8 cm) minimum above the floor. It is recommended that the drain hose either be looped up and securely fastened to the underside of the counter, or be connected to an air gap.



- Use a drain air gap if the drain hose is connected to house plumbing lower than 20" (50.8 cm) above the subfloor or floor.
- Use $\frac{1}{2}$ " (1.3 cm) minimum I.D. drain line fittings.

Water Supply Requirements

- A hot water line with 20-120 psi (138-862 kPa) water pressure.
- 120°F (49°C) water temperature at dishwasher.
- Flexible stainless steel braided fill line ½" [1.27 cm] minimum plastic tubing is not recommended).

Electrical Requirements

Contact a qualified electrician.

Ensure that the electrical installation is adequate and in conformance with all national and local codes and ordinances.

You must have:

- 120-volt, 60 Hz, AC-only, 15- or 20-amp fused electrical supply.
- Copper wire only.

We recommend:

- A time-delay fuse or circuit breaker.
- A separate circuit.

If direct wiring dishwasher:

- Use flexible, armored or nonmetallic sheathed, copper wire with grounding wire that meets the wiring requirements for your home and local codes and ordinances.
- Use strain relief method provided with house wiring junction box or install a UL-listed/CSA-certified clamp connector to the house wiring junction box. If using conduit, use a UL-listed/CSA-certified conduit connector.

If connecting dishwasher with a power supply cord:

- Use Power Supply Cord Kit (Part Number 4317824) marked for use with dishwashers. Kit contents include:
 - Voltex, Inc., UL listed 16 gauge 3 wire power supply cord with 3 prong grounded plug.
 - Neer C-500 ⅞" strain relief.
 - 3 wire connectors.
 - Part Number 302797 grommet.

Follow the kit instructions for installing the power supply cord.

- Power supply cord must plug into a mating 3 prong, grounded outlet, located in the cabinet next to the dishwasher opening. Outlet must meet all local codes and ordinances.

INSTALLATION INSTRUCTIONS

⚠ WARNING



Electrical Shock Hazard

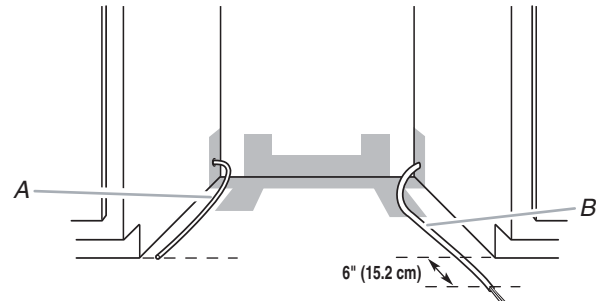
Disconnect electrical power at the fuse box or circuit breaker box before installing dishwasher.

Failure to do so can result in death or electrical shock.

1. Disconnect power.
2. Turn off water supply.

Prepare Cabinet Opening Using existing utility hookups

- Follow the steps in the section if you are installing the dishwasher in an existing cabinet opening with utility hookups.
 - If you are installing the dishwasher in a cabinet opening that does not have utility hookups, follow the steps under "Prepare cabinet opening where there are no existing utility hookups" section.
1. Check that the water line reaches to the front left-hand side of the opening where the water connection will be made.



A. Water line
B. Direct wire

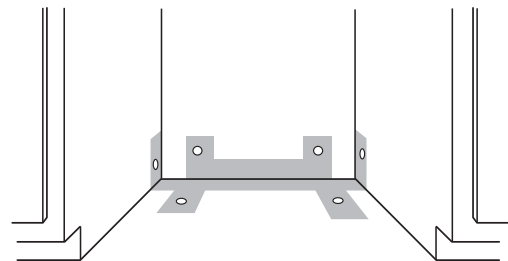
2. Check that the direct wire reaches to the front right-hand side of opening where the electrical connection will be made.

If the water line and direct line wire reach far enough into the opening, proceed to the next section, "Install the Drain Hose." If they do not reach far enough, follow the steps under "Prepare the Cabinet Opening Where There are no Existing Utility Hookups."

Install the Drain Hose

IMPORTANT: Always use a new drain hose even when installing a new replacement dishwasher.

1. Drill a 1½" (3.8 cm) diameter hole in the cabinet wall or floor on the side of the opening closest to the sink.



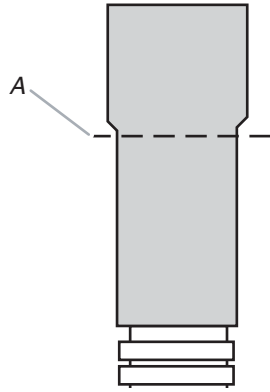
2. Connect drain hose to waste tee or waste disposer using one of the following methods:
 - Option 1, Waste disposer – with air gap
 - Option 2, No waste disposer – with air gap
 - Option 3, Waste disposer – no air gap*
 - Option 4, No waste disposer – no air gap*

*An air gap is recommended.

Helpful Tip: To reduce the vibration of the hose, keep the hose away from the floor and the edge of the hole where it passes through the cabinet.

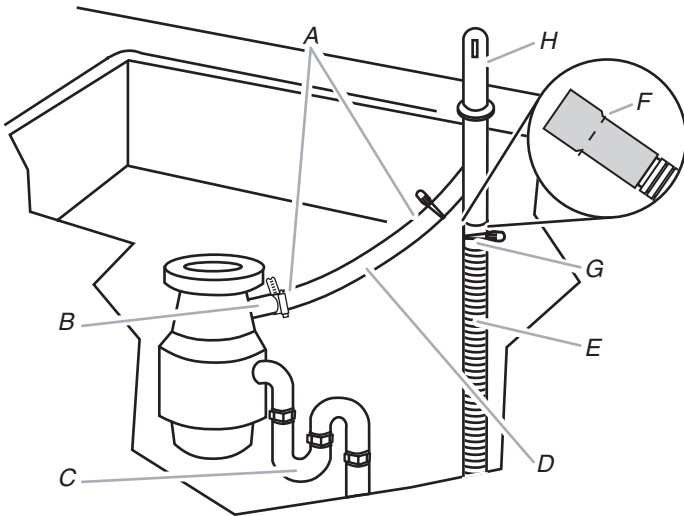
Option 1: Waste Disposer - with air gap

1. Remove the disposer knockout plug. Cut end of drain hose if needed (do not cut ribbed section).



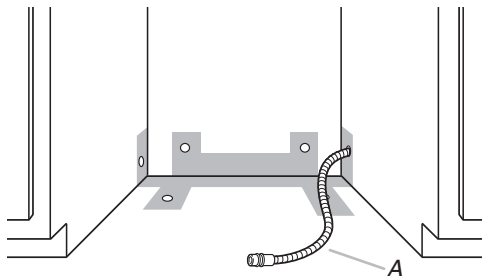
A. Drain hose (cut here if needed)

2. Attach drain hose to air gap with large spring-type clamp. If the drain hose was cut, use a 1½" to 2" (3.8 to 5 cm) screw-type clamp**.
3. Use a rubber hose connector** with spring or screw-type clamps to connect air gap to disposer inlet. This connection must be before the drain trap and at least 20" (50.8 cm) above the floor where dishwasher will be installed.



- | | |
|--------------------------------|------------------------------------|
| A. Spring or screw-type clamps | E. Drain hose |
| B. Disposer inlet | F. Drain hose (cut here if needed) |
| C. Drain trap | G. Large spring clamp |
| D. Rubber hose connector | H. Air gap |

4. Insert drain hose through the front center of opening where drain connection will be made.

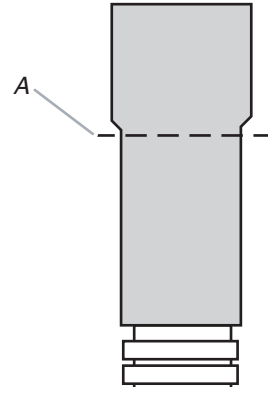


A. Drain hose

**Parts available from local plumbing supply stores.

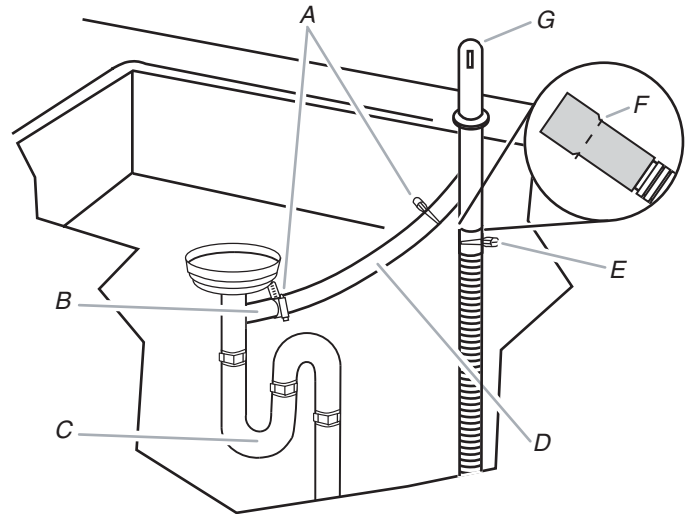
Option 2: No Waste Disposer - with air gap

1. Cut end of drain hose if needed (do not cut ribbed section).



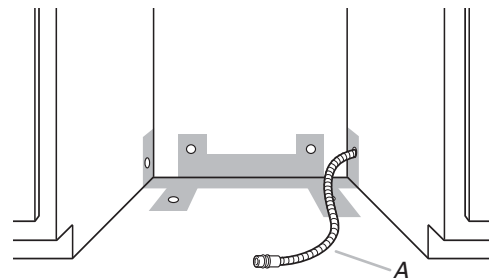
A. Drain hose (cut here if needed)

2. Attach drain hose to air gap with large spring-type clamp. If the drain hose was cut, use a 1½" to 2" (3.8 to 5 cm) screw-type clamp**.
3. Use a rubber hose connector** with spring or screw-type clamps to connect air gap to waste tee. This connection must be before the drain trap and at least 20" (50.8 cm) above the floor where dishwasher will be installed.



- | | |
|--------------------------------|--------------------------|
| A. Spring or screw-type clamps | D. Rubber hose connector |
| B. Waste tee | E. Large spring clamp |
| C. Drain trap | F. Drain hose (cut here) |
| | G. Air gap |

4. Insert drain hose through hole cut in cabinet to the front center of opening where drain connection will be made.



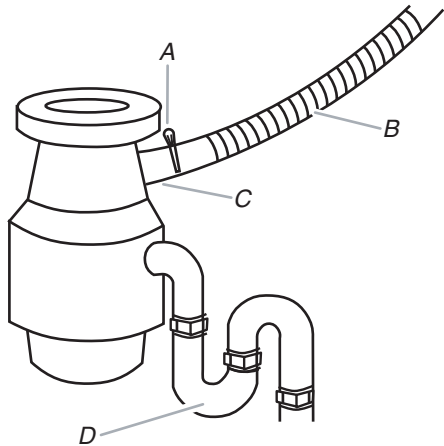
A. Drain hose

**Parts available from local plumbing supply stores.

Option 3: Waste Disposer - no air gap

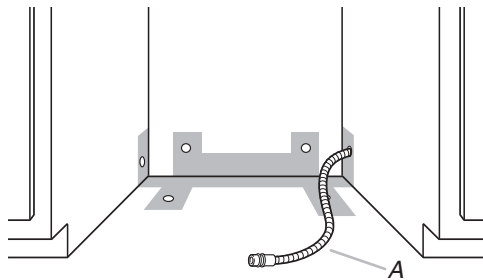
1. Remove the disposer knockout plug. Do not cut end of drain hose.
2. Attach drain hose to disposer inlet with large spring-type clamp.

This connection must be before the drain trap and at least 20" (50.8 cm) above the floor where dishwasher will be installed. It is recommended that the drain hose be looped up and securely fastened to the underside of the counter.



A. Large spring-type clamp C. Disposer inlet
B. Drain hose D. Drain trap

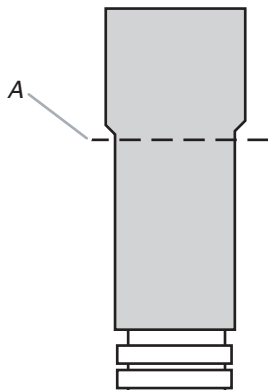
3. Insert drain hose through hole cut in cabinet to the front center of opening where drain connection will be made.



A. Drain hose

Option 4: No Waste Disposer - no air gap

1. Cut end of drain hose if needed (do not cut ribbed section).

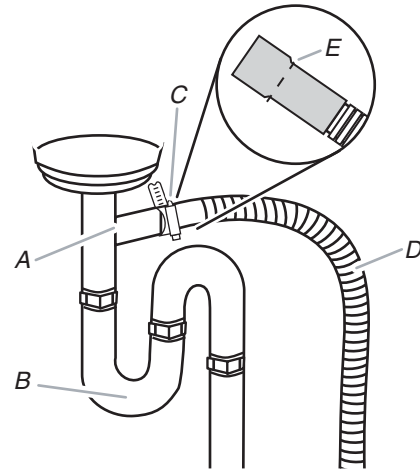


A. Drain hose (cut here if needed)

2. Attach drain hose to waste tee with 1½" to 2" (3.8 to 5 cm) screw-type clamp**.

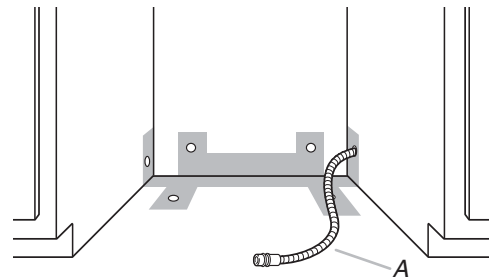
This connection must be before the drain trap and at least 20" (50.8 cm) above the floor where dishwasher will be installed.

It is recommended that the drain hose be looped up and securely fastened to the underside of the counter.



A. Waste tee D. Drain hose
B. Drain trap E. Drain hose (cut here if needed)
C. Screw-type clamp

3. Insert drain hose through hole cut in cabinet to the front center of opening where drain connection will be made.



A. Drain hose

**Parts available from local plumbing supply stores.

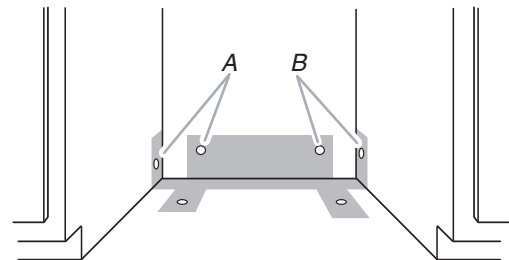
Prepare Cabinet Opening Where There Are No Existing Utility Hookups

Electrical Connection

Option 1: Direct Wire Method

Helpful Tip: Wiring the dishwasher will be easier if you route wire into the cabinet opening from the right-hand side.

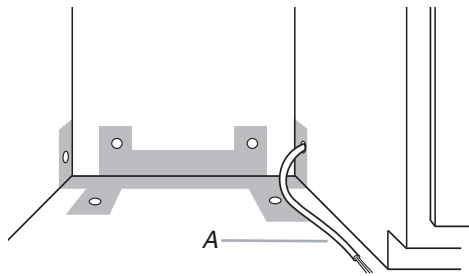
1. Drill a ¾" (1.9 cm) hole in right-hand cabinet side, rear or floor. Preferred and optional locations are shown.



A. Optional locations
B. Preferred locations

2. Wood cabinet: Sand hole until smooth. Metal cabinet: Cover hole with grommet, not provided.

3. Run wire into house wiring junction box.
4. Install a UL-listed/CSA-certified clamp connector (strain relief) for flexible-type wire. If installing conduit, attach a UL-listed/CSA-certified conduit connector to the junction box.
5. Run other end of wire through cabinet hole. Cable must extend to the right front of cabinet opening.

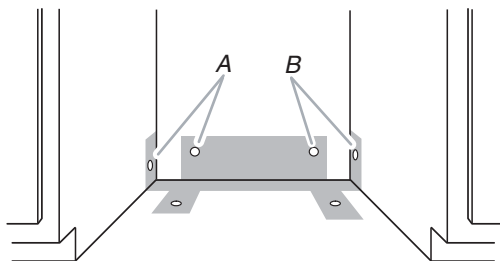


A. Direct wire

Option 2: Power Supply Cord Method

NOTE: A mating, 3-prong, grounded-type wall receptacle is required in a cabinet next to the dishwasher opening.

1. Drill a 1½" (3.8 cm) hole in the cabinet rear or side. Preferred and optional locations are shown.



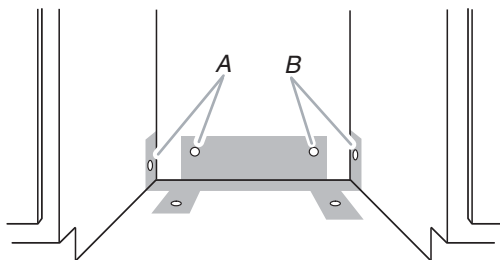
A. Optional locations
B. Preferred locations

2. Wood cabinet: Sand hole until smooth.
Metal cabinet: Cover hole with grommet (Part Number 302797) included with power supply cord kit.

Install the Water Line

Helpful Tip: Routing the water line through the left side of cabinet opening will make water connection easier.

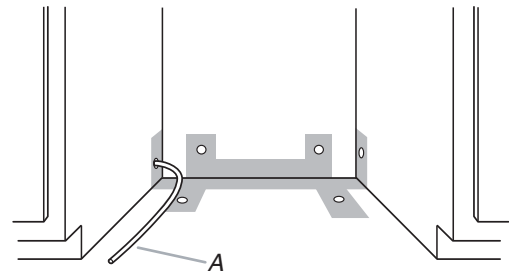
1. Drill a minimum ½" (1.3 cm) hole in the cabinet side, rear or floor. Preferred and optional locations are shown.



A. Optional locations
B. Preferred locations

2. Measure overall length of copper tubing required.

3. Attach copper tubing to the water line with a manual shutoff valve.



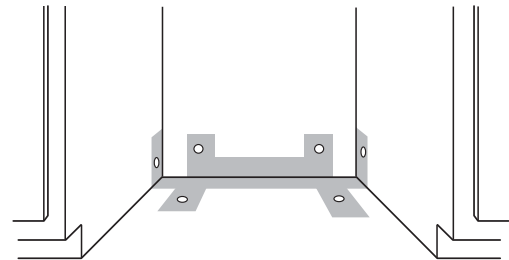
A. Copper tubing

4. Slowly feed copper tubing through hole in cabinet. Copper tubing will bend and kink easily, so be gentle. The copper tubing should be far enough into the cabinet opening to connect it to dishwasher inlet on the front left of the dishwasher.
5. Turn water shutoff valve to "ON" position. Flush water into a shallow pan to get rid of particles that may clog the inlet valve.
6. Turn shutoff valve to "OFF" position.

Install the Drain Hose

IMPORTANT: Always use a new drain hose even when installing a new replacement dishwasher.

1. Drill a 1½" (3.8 cm) diameter hole in the cabinet wall or floor on the side of the opening closest to the sink.



2. Connect drain hose to waste tee or waste disposer using one of the following methods:

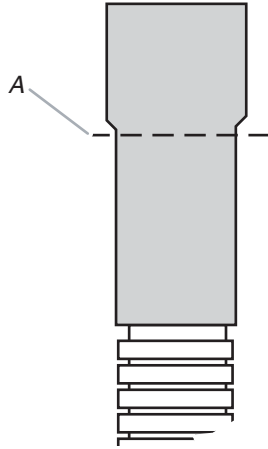
- Option 1, Waste disposer – with air gap
- Option 2, No waste disposer – with air gap
- Option 3, Waste disposer – no air gap*
- Option 4, No waste disposer – no air gap*

*An air gap is recommended.

Helpful Tip: To reduce the vibration of the hose, keep the hose away from the floor and the edge of the hole where it passes through the cabinet.

Option 1: Waste Disposer - with air gap

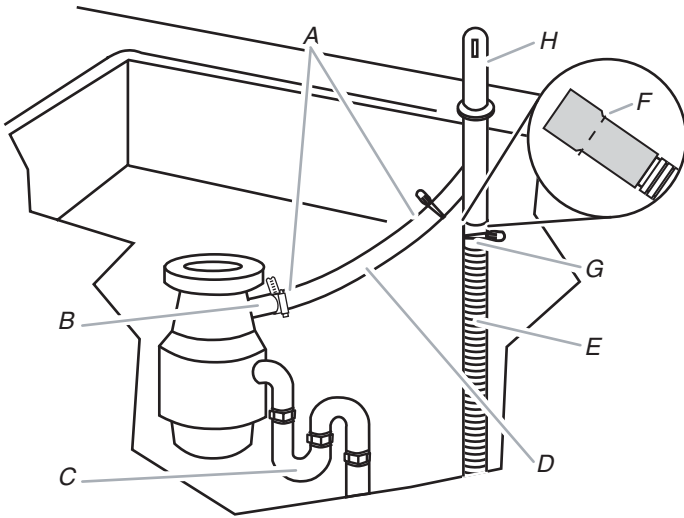
1. Remove the disposer knockout plug. Cut end of drain hose if needed (do not cut ribbed section).



A. Drain hose (cut here if needed)

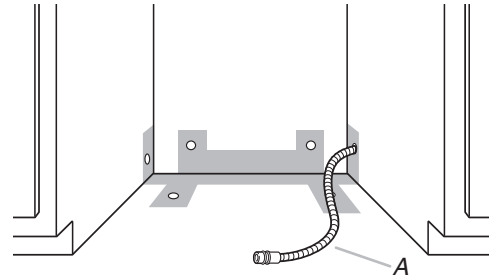
2. Attach drain hose to air gap with large spring-type clamp. If the drain hose was cut, use a 1½" to 2" (3.8 to 5 cm) screw-type clamp**.
3. Use a rubber hose connector** with spring or screw-type clamps to connect air gap to disposer inlet.

NOTE: This connection must be before the drain trap and at least 20" (50.8 cm) above the floor where dishwasher will be installed.



- | | |
|--------------------------------|------------------------------------|
| A. Spring or screw-type clamps | E. Drain hose |
| B. Disposer inlet | F. Drain hose (cut here if needed) |
| C. Drain trap | G. Large spring clamp |
| D. Rubber hose connector | H. Air gap |

4. Insert drain hose through the front center of opening where drain connection will be made.

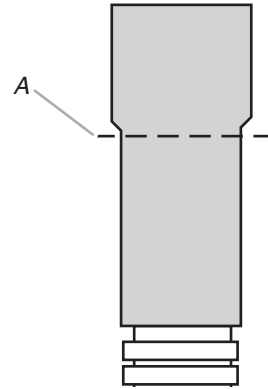


A. Drain hose

**Parts available from local plumbing supply stores.

Option 2: No Waste Disposer - with air gap

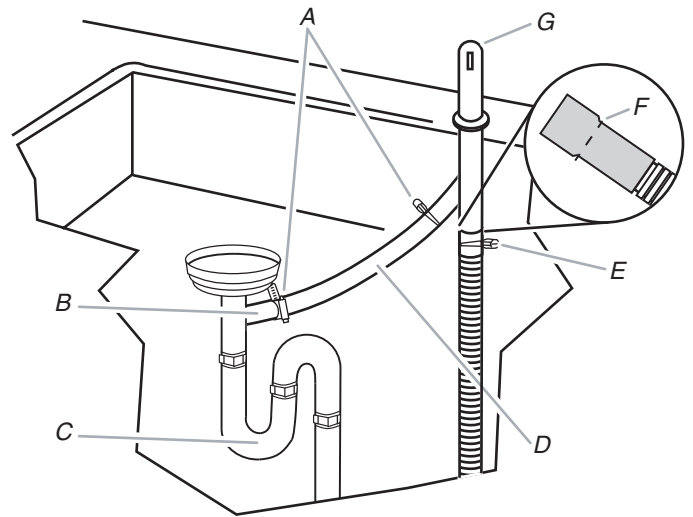
1. Cut end of drain hose if needed (do not cut ribbed section).



A. Drain hose (cut here if needed)

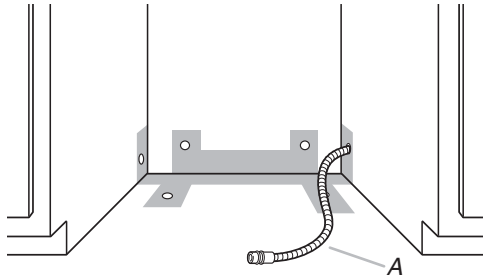
2. Attach drain hose to air gap with large spring-type clamp. If the drain hose was cut, use a 1½" to 2" (3.8 to 5 cm) screw-type clamp**.
3. Use a rubber hose connector** with spring or screw-type clamps to connect air gap to waste tee.

This connection must be before the drain trap and at least 20" (50.8 cm) above the floor where dishwasher will be installed.



- | | |
|--------------------------------|--------------------------|
| A. Spring or screw-type clamps | D. Rubber hose connector |
| B. Waste tee | E. Large spring clamp |
| C. Drain trap | F. Drain hose (cut here) |
| | G. Air gap |

4. Insert drain hose through hole cut in cabinet to the front center of opening where drain connection will be made.



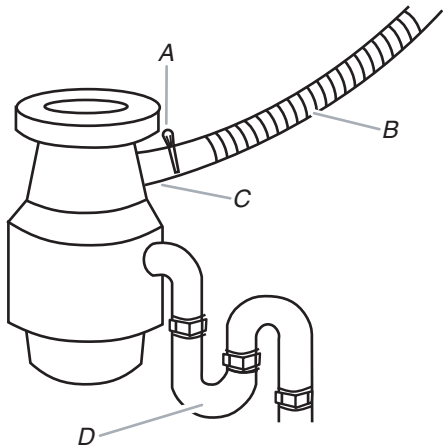
A. Drain hose

**Parts available from local plumbing supply stores.

Option 3: Waste Disposer - no air gap

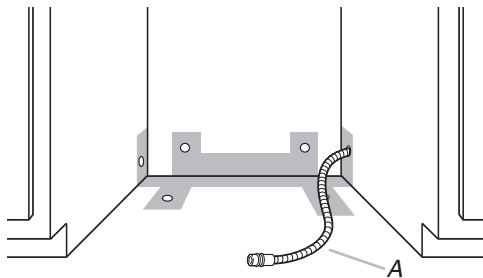
1. Remove the disposer knockout plug. Do not cut end of drain hose.
2. Attach drain hose to disposer inlet with large springtype clamp.

NOTE: This connection must be before the drain trap and at least 20" (50.8 cm) above the floor where dishwasher will be installed. It is recommended that the drain hose be looped up and securely fastened to the underside of the counter.



A. Large spring-type clamp
B. Drain hose
C. Disposer inlet
D. Drain trap

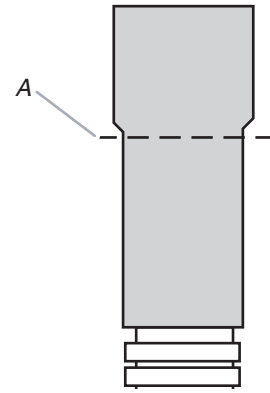
3. Insert drain hose through hole cut in cabinet to the front center of opening where drain connection will be made.



A. Drain hose

Option 4: No Waste Disposer - no air gap

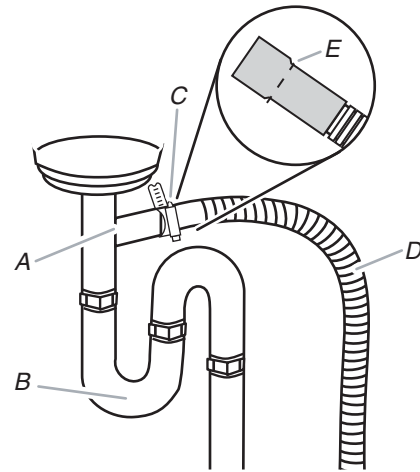
1. Cut end of drain hose if needed (do not cut ribbed section).



A. Drain hose (cut here if needed)

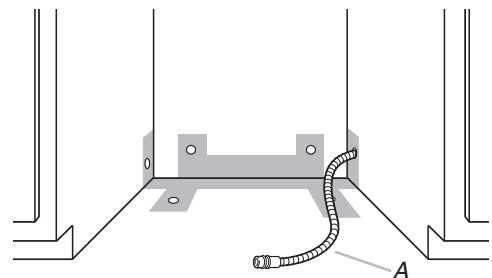
2. Attach drain hose to waste tee with 1½" to 2" (3.8 to 5 cm) screw-type clamp**.

This connection must be before the drain trap and at least 20" (50.8 cm) above the floor where dishwasher will be installed. It is recommended that the drain hose be looped up and securely fastened to the underside of the counter.



A. Waste tee
B. Drain trap
C. Screw-type clamp
D. Drain hose
E. Drain hose (cut here if needed)

3. Insert drain hose through hole cut in cabinet to the front center of opening where drain connection will be made.



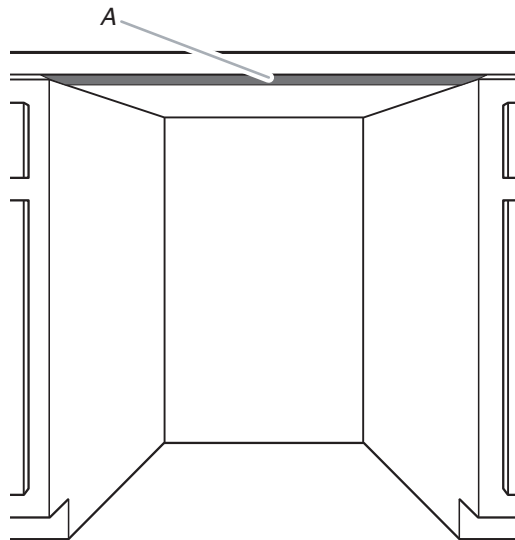
A. Drain hose

**Parts available from local plumbing supply stores.

Install Moisture Barrier

(on some models)

1. Make sure the area under the cabinet is clean and dry for installation of the moisture barrier.
2. Remove the backing of the moisture barrier and apply to underside of the countertop along the front edge of the counter.



A. Moisture barrier

Prepare Dishwasher

! WARNING



Tip Over Hazard

Do not use dishwasher until completely installed.
Do not push down on open door.
Doing so can result in serious injury or cuts.

! WARNING

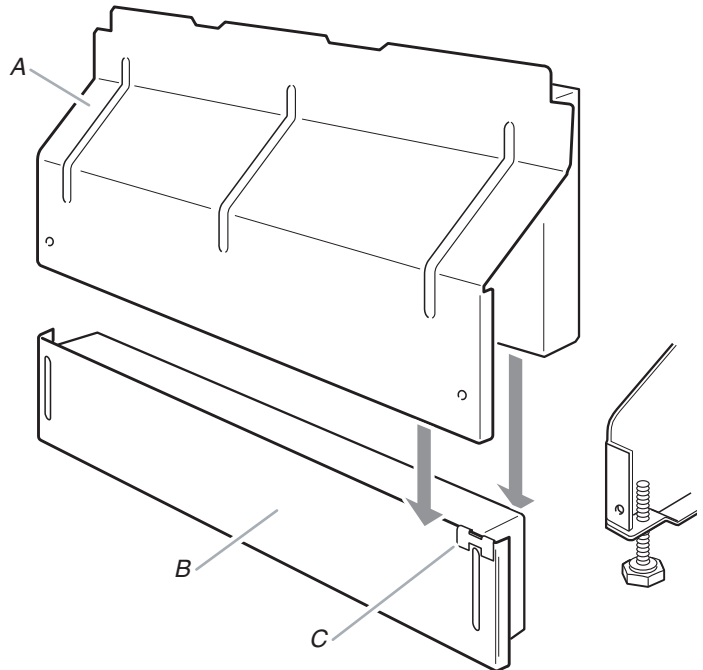
Excessive Weight Hazard

Use two or more people to move and install dishwasher.

Failure to do so can result in back or other injury.

1. Put corner posts from packaging behind dishwasher. Grasp sides of dishwasher door frame and put dishwasher on its back, resting on top of the corner posts.

2. Remove 2 screws attaching access panel and lower panel to dishwasher using a 1/4" hex socket, nut driver or Phillips screwdriver.

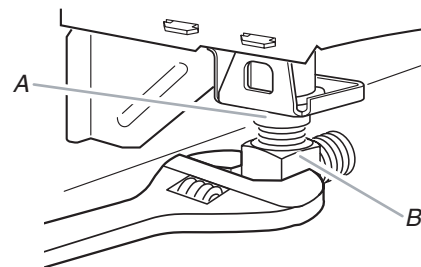


A. Access panel

B. Lower panel

C. Grounding clip

3. Remove panels and set panels aside on a covered surface.
4. Check that grounding clip is attached to the lower panel.
5. Apply Teflon® tape or pipe joint compound to 90° elbow fitting and connect fitting to water inlet valve.
6. Tighten elbow until snug, and be sure that it faces to the rear.

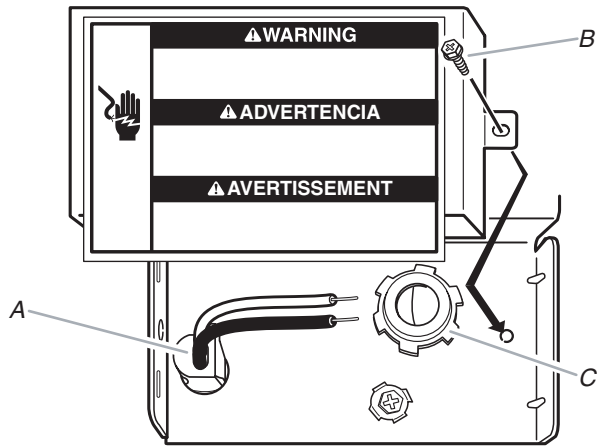


A. Water inlet valve

B. Elbow

7. Remove terminal box cover.
 - If you are direct wiring: install a UL-listed/CSA certified clamp connector to the terminal box. If using conduit, use a UL-listed/CSA-certified conduit connector.

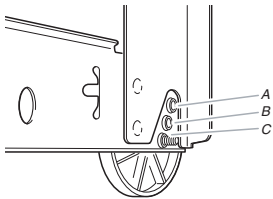
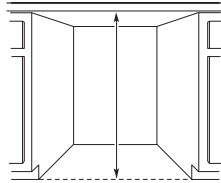
- If you are installing a power supply cord kit, do so now, following kit instructions.



A. Dishwasher wires
B. Terminal box cover
C. Cable clamp connector

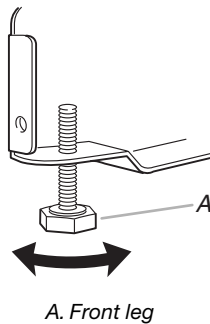
Helpful Tip: Put cardboard under dishwasher until it is installed in cabinet opening. The cardboard will help shield the floor covering during installation.

8. Measure height of cabinet opening from underside of countertop to floor where dishwasher will be installed (you need the lowest point). Check chart for that height opening. Put wheels in the required position.



Minimum cutout height	Wheel Position	Number of turns on front leg
34" (86.4 cm)	A	10
34 ¹ / ₄ " (87 cm)	B	5
34 ¹ / ₂ " (87.6 cm)	C	0

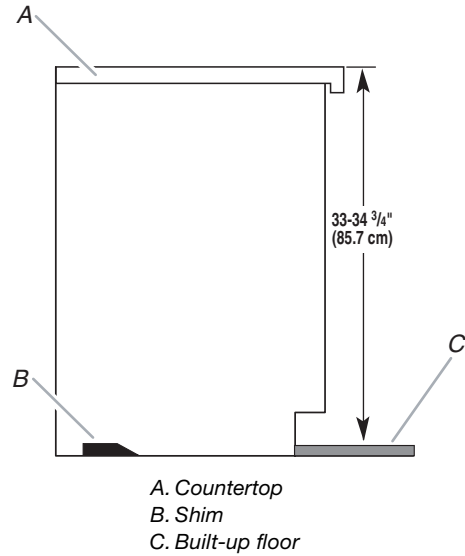
9. Turn both front leveler legs to the same height.



If the minimum cutout height is less than 34" (86.4 cm), the rear wheels can be removed for additional clearance. This will allow the dishwasher to fit into a 33³/₄" (86 cm) high cutout, but the dishwasher will be more difficult to move into position. If the wheels are removed, avoid damage to the floor when moving the dishwasher.

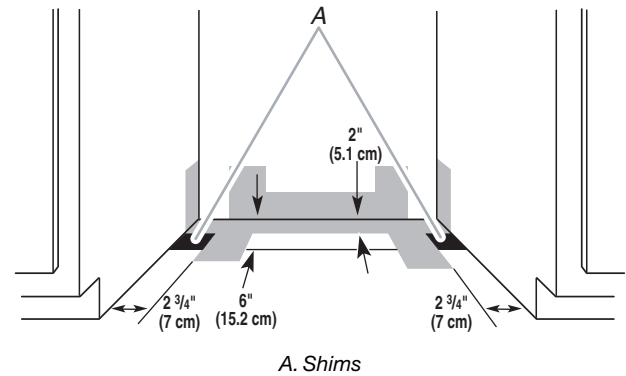
If you have built-up floors

1. Measure height of opening from underside of countertop to built-up floor. If the height is at least 33³/₄" (85.7 cm), the dishwasher will fit into the opening without modification to the countertop or flooring.



2. Put wheels in position 1 and turn the front leveler legs up all the way.
3. Add shims as needed in the area shown to bring dishwasher up to the proper height.

NOTE: Make sure shims are securely attached to floor so the dishwasher does not move when operated.

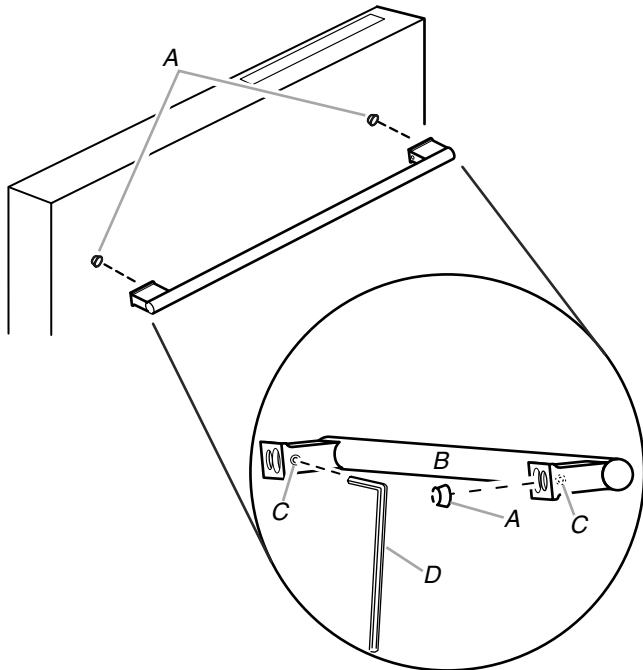


Install the Door Handle

IMPORTANT: Do not scratch the front panel during this procedure.

1. Remove the door handle and hardware bag containing the setscrews and Allen wrench from the cardboard box.
2. Start setscrews in handle.
3. Place handle on mounting studs with the setscrews facing down.

- Push the door handle tightly against the door. Insert the short end of the Allen wrench into the setscrews. Tighten the setscrews $\frac{1}{4}$ turn past snug. Retain Allen wrench with Installation Instructions.

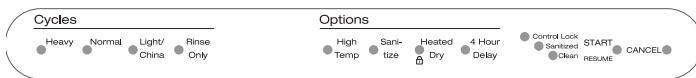


- A. Mounting stud
 B. Door handle
 C. Setscrew (inside of door handle standoff)
 D. Allen wrench

Custom Panel Dimensions

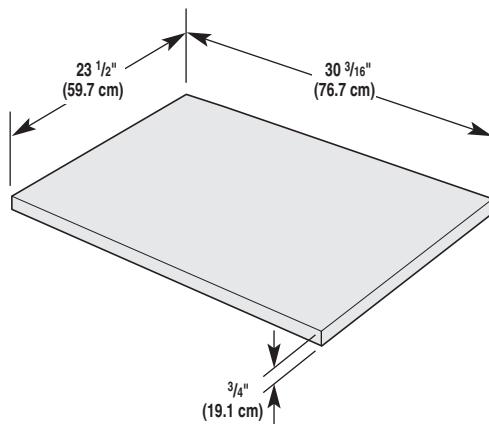
IMPORTANT: You need to know what control panel is on your dishwasher before you order your custom door panel.

For dishwashers with the control panel shown below:
 (Model IUD9500VXO)



(Your model may vary slightly from the picture above.)

Custom door panel dimensions



*This dimension is for 4" (10.2 cm) toe-kick. If the installation needs a higher toe-kick, adjust the height of the wood panel accordingly. Not recommended for toe-kicks greater than 6" (15.2 cm).

Install Custom Panel

For model IUD9500VXO

NOTE: The handle for the custom panel is not included.

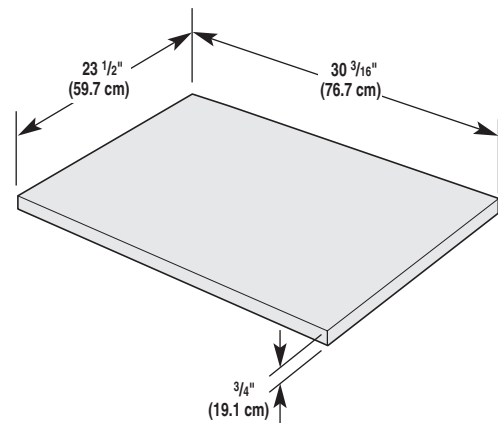
IMPORTANT: If the handle is attached from the back of the custom panel, the screw holes should be countersunk for the screw heads to be flush with the panel. If the handle is attached to the front of the custom panel, the screw lengths cannot exceed the panel thickness.

NOTES:

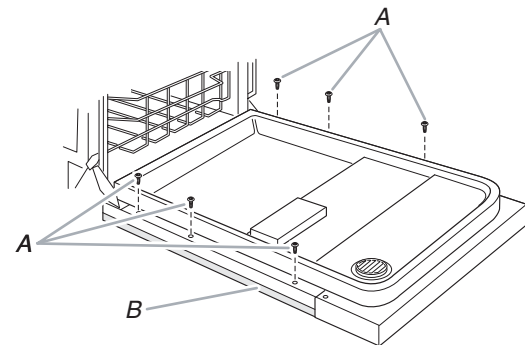
- A customer-supplied full front panel must weigh no more than 16 pounds (7.3 kg) and must be made to specific dimensions. It is recommended that a cabinetmaker cut the custom panel because of the precise dimensions needed.
- All mounting hardware supplied is for a $\frac{3}{4}$ " (19.1 mm) thick wood panel. If a thinner wood panel, or materials other than wood are used, it is the consumer's responsibility to obtain the proper length screws and adjust the pilot holes accordingly.

IMPORTANT: Use a moisture resistant sealer on both sides and all edges of the panel to avoid damage from humidity.

- With a TORX® screwdriver, remove 3 screws from both sides, as shown; hold the outer panel up while removing the screws. Save screws for reinstallation.



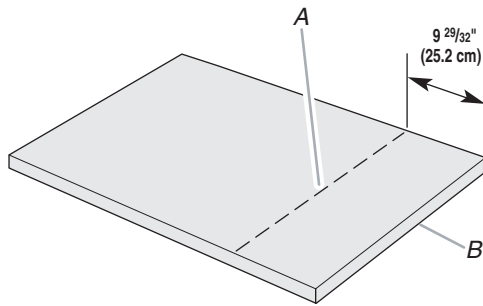
*This dimension is for 4" (10.2 cm) toe-kick. If the installation needs a higher toe-kick, adjust the height of the wood panel accordingly. Not recommended for toe-kicks greater than 6" (15.2 cm).



- A. Screws
 B. Outer panel

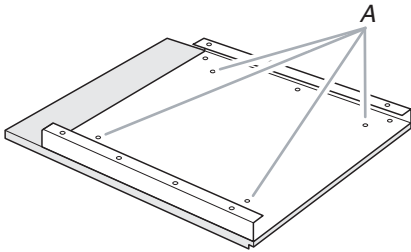
- Gently set outer panel aside.
- Lay the customer-supplied custom panel face down on a covered, non-scratching surface.

- Measure $9\frac{29}{32}$ " (25.2 cm) from top edge and mark a line on the back of customer-supplied custom panel.



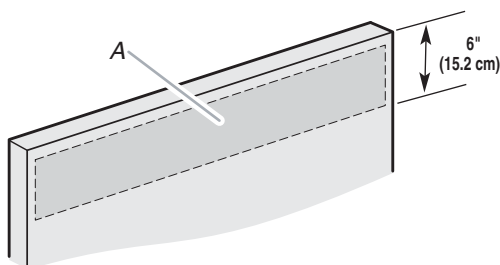
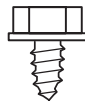
A. Mark line
B. Top edge

- Position the outer panel on the back of the customer supplied custom panel as shown, so that the top holes in the outer panel are on the line, and both panels are centered side to side.
- Mark all 4 hole locations; remove outer panel. Drill $\frac{3}{32}$ " pilot holes $\frac{1}{2}$ " (13 mm) deep in customer-supplied custom panel.



A. Mark pilot holes

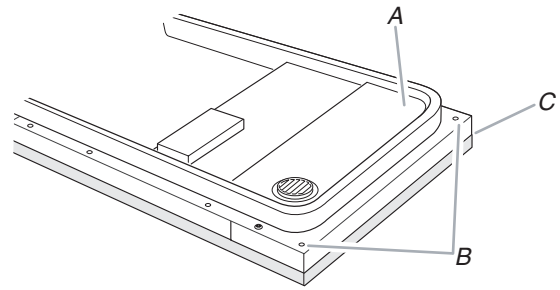
- Place the outer panel on the back of the customer-supplied custom panel. Align holes.
- Attach outer panel to back of customer-supplied custom panel with the four #10-16 x $\frac{3}{8}$ " hex-head screws supplied in the package containing literature.
- Attach the handle. The handle should be centered on the front of the customer-supplied custom panel in the area shown.



A. Handle location

- Attach the panel assembly to the door by reinstalling the 3 screws on each side; do not tighten completely. This will hold the panel assembly in place on the door frame.
- Align the top edge of the customer-supplied custom panel with the top of the console.

- Drill two $\frac{3}{32}$ " pilot holes $\frac{1}{2}$ " (13 mm) deep, into the customer-supplied custom panel, through the holes in the top corners of the inner panel as shown.



A. Inner panel
B. Align top edges
C. Drill through these holes

- Install the two #8-18 x $1\frac{1}{8}$ " screws from the literature package in the top corners of the inner panel.
- Tighten the 6 side screws reinstalled in Step 10.

Choose Attachment Option

⚠ WARNING

Excessive Weight Hazard

Use two or more people to move and install dishwasher.

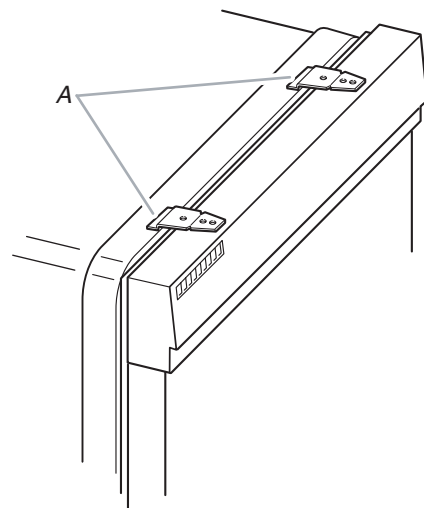
Failure to do so can result in back or other injury.

Using 2 or more people stand the dishwasher up.

Option 1: Countertop

The dishwasher must be secured to the cabinet. There are 2 brackets on top of the dishwasher that can be attached to the countertop if it is wood, laminate or other similar surfaces. If your countertop is marble, granite or other hard surface the brackets may be moved to the sides of the dishwasher.

NOTE: Do not attach the dishwasher. This will be done later.

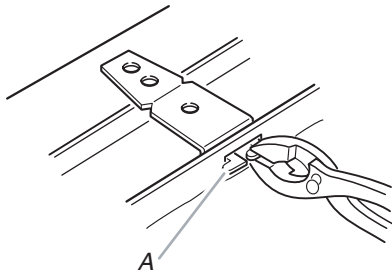


A. Brackets

Option 2: Dishwasher Side Attachment

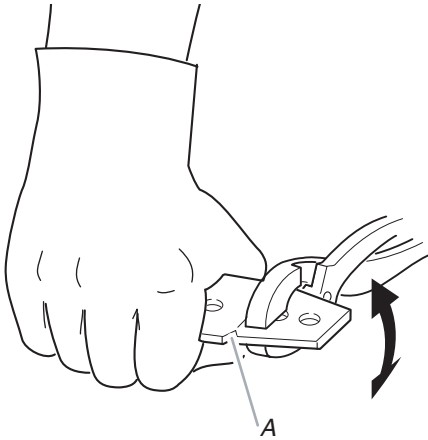
(for marble, granite or other hard surface countertops)

1. To remove the brackets from the top, flatten tab at back of brackets with pliers, and pull the brackets out of the slots.



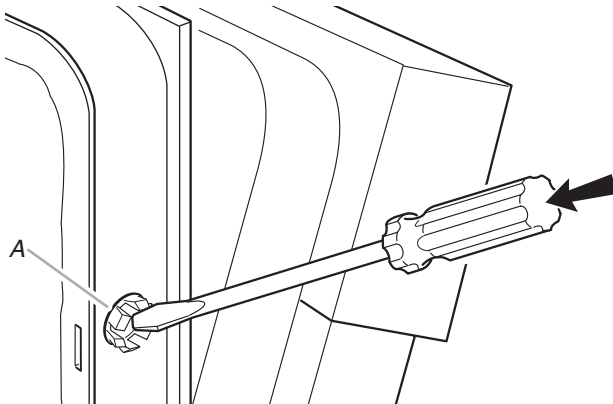
A. Tabs

2. Break off the end of the bracket along the scored line.



A. Score line

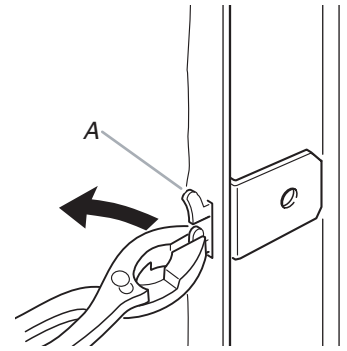
3. With another person holding the rear of the dishwasher to keep it from tipping, open dishwasher door and place towel over pump assembly and spray arm of dishwasher. This will keep screws from falling into pump area when securing dishwasher to cabinet.
4. Push the plastic buttons out of the side of the tub.
NOTE: Save the buttons to cover the holes after dishwasher is installed.



A. Plastic button

5. Push bracket into slot on the side of dishwasher, and bend tab in towards the side of the dishwasher so that it keeps the bracket in place. Repeat this step for the other side of the dishwasher.

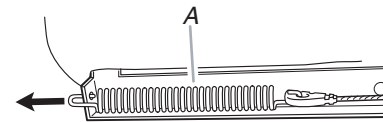
NOTE: Do not attach the dishwasher. This will be done later.



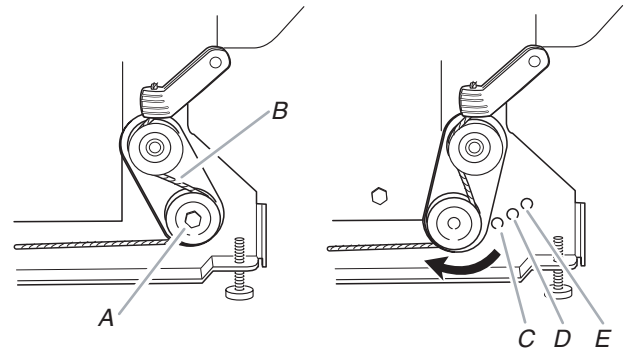
A. Bend tabs

Check Door Spring Tension

1. With another person holding the rear of the dishwasher to keep it from tipping, open and close the door a few times. If the door closes or falls open under its own weight, the door tension will need to be adjusted.
2. To adjust the door spring tension, unhook the spring from the rear leg of dishwasher.
3. With a $\frac{5}{16}$ " nut driver or hex socket, remove the screw from the tensioner.
4. The screw can be put into one of three holes C, D or E, in the front leg of dishwasher. If the door closes by itself, move the tensioner to a higher number hole and replace screw. When door is unlatched, if it opens by itself, move tensioner to a lower numbered hole and replace screw.
5. Reattach door spring to rear leg. Tensioners on both sides of dishwasher should be secured at same holes.



A. Spring



- A. Screw
- B. Tensioner
- C. First hole location (lower setting)
- D. Second hole location (medium setting)
- E. Third hole location (higher setting)

Move Dishwasher to Final Location

⚠ WARNING

Excessive Weight Hazard

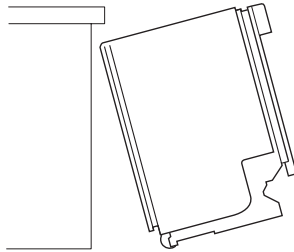
Use two or more people to move and install dishwasher.

Failure to do so can result in back or other injury.

1. Grasp the sides of the dishwasher at the edges of the door panel.
2. Tilt dishwasher backwards on wheels and move dishwasher close to cabinet opening. Do not push on the front of the panel or on the console—they may dent.
3. If dishwasher has a power supply cord, insert power supply cord into hole cut into cabinet. If using direct wire, check that it is on the right front-hand side of opening.
4. Check that water line is on the left-hand side of opening and drain hose is near the center of the hole in the cabinet.

5. Slowly move dishwasher completely into cabinet opening. Do not kink or pinch copper tubing, drain hose, power supply cord or direct wire between dishwasher and cabinet.

Helpful Tip: Once the dishwasher is in position, you may have to support the front of the dishwasher by raising, lowering or shimming front feet.

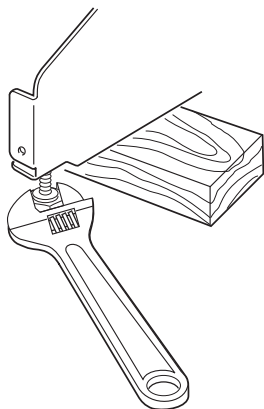


6. Remove cardboard from under dishwasher.

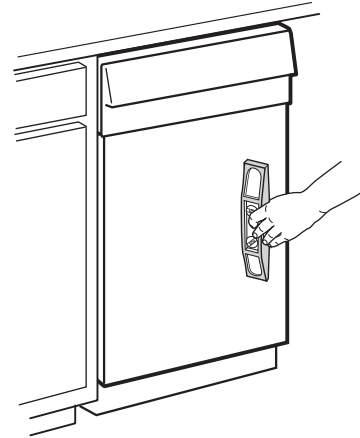
NOTE: It is all right if dishwasher fits tightly into cabinet opening. Do not remove insulation blanket —the blanket reduces the sound level.

Level the Dishwasher

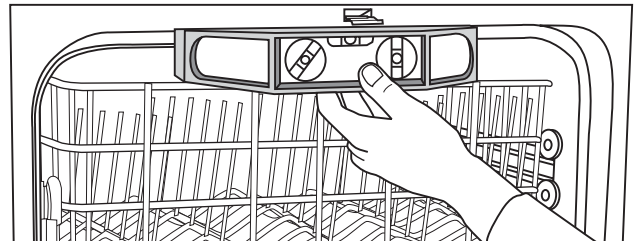
1. Align front of dishwasher door panel with cabinet doors. You may need to adjust alignment to be even with your cabinets.
Helpful Tip: Prop up one side of frame to hold dishwasher up off floor when adjusting front legs.
2. Check that leveling legs are firmly against the floor.



3. Close and latch the door, and then place level against the front panel. Check that dishwasher is plumb. If needed, adjust leveling leg or add shims under rear wheel until dishwasher is plumb.



4. Repeat for other side of the dishwasher.
NOTE: Make sure the shims are securely attached to the floor. This will hold the shims in place when dishwasher is being operated.
5. Place level against top front opening of tub. Check that dishwasher is level from side to side. If dishwasher is not level, adjust front legs up or down until dishwasher is level.



Make Electrical Connection

Check “Electrical Requirements” section.

You need to:

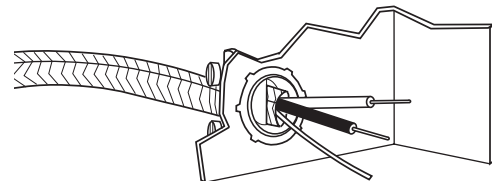
- have the correct electrical supply and recommended grounding method.

If you are:

- direct wiring use Option 1.
- using a power supply cord, use Option 2.

Option 1: Direct Wiring

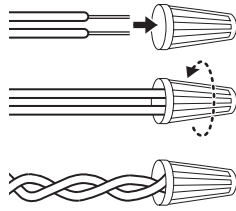
1. Route direct wire so that it does not touch dishwasher motor or lower part of dishwasher tub.



2. Pull direct wire through hole in terminal box.

Helpful Tip:

- Select the proper size twist-on connectors to connect your household wiring to 16-gauge dishwasher wiring.
 - Insert wire ends into twist-on connector. Do not pre-twist bare wire.
 - Twist connector.
 - Gently tug on wires to be sure both are secured.
3. Connect the wires as follows using twist-on connectors sized to connect direct wire to 16-gauge dishwasher wire.



Power supply wire:		Terminal box wire:
white	←→	white
black	←→	black
ground wire	←→	ground connector

⚠ WARNING



Electrical Shock Hazard

Electrically ground dishwasher.

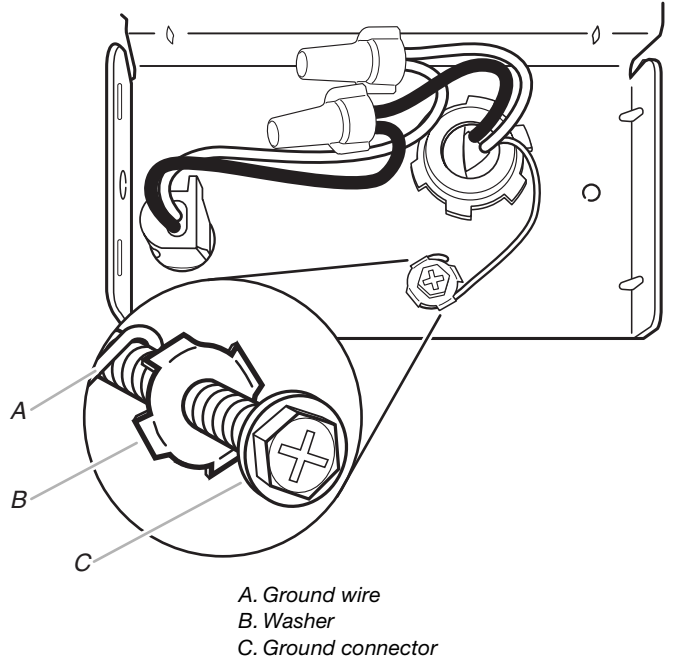
Connect ground wire to green ground connector in terminal box.

Do not use an extension cord.

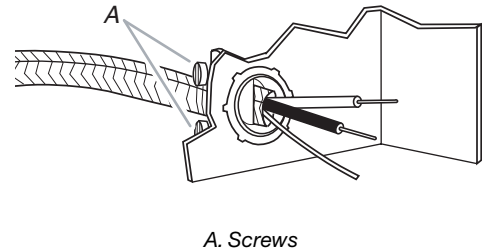
Failure to follow these instructions can result in death, fire, or electrical shock.

4. Form bare ground wire into a U-shaped hook. Wrap ground wire hook clockwise around ground connector and under the washer.

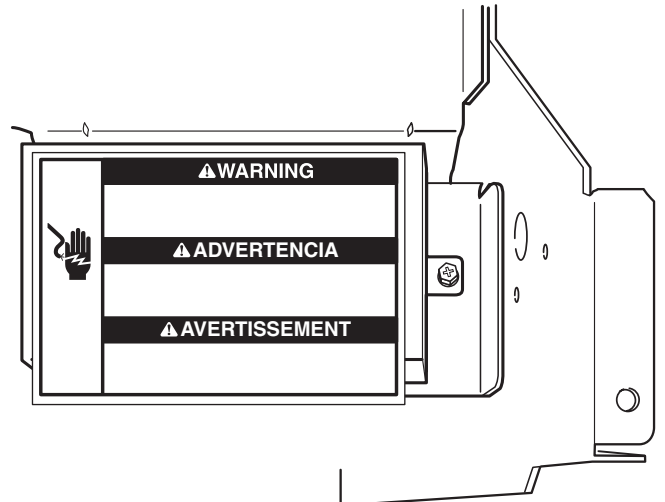
5. Securely tighten ground connector.



6. Tighten clamp connector or conduit connector screws.



7. Reinstall terminal box cover with wires inside terminal box. The cover must be outside the box on the left side.



8. Make sure no wires are pinched by the cover.

Option 2: Power Supply Cord

⚠ WARNING



Electrical Shock Hazard

Plug into a grounded 3 prong outlet.

Do not remove ground prong.

Do not use an adapter.

Do not use an extension cord.

Failure to follow these instructions can result in death, fire, or electrical shock.

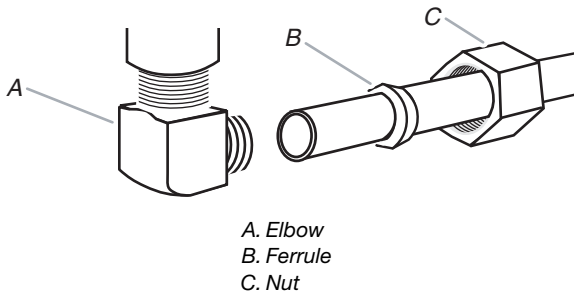
1. Plug in a grounded 3 prong outlet.
2. Check that power supply cord does not touch dishwasher motor or lower part of dishwasher tub.

Connect to Water Supply

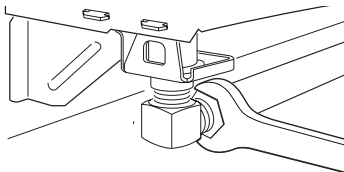
Helpful Tip:

Compression fittings:

- a) Slide nut onto copper tubing about 1" (2.5 cm).
- b) Slide ferrule onto the tubing. Do not position ferrule on the end of the tubing.
- c) Put the tubing into the elbow as far as it will go.
- d) Slide the nut and ferrule forward and start the nut onto the elbow threads. Be gentle when handling and positioning the copper tubing, it bends and kinks easily.



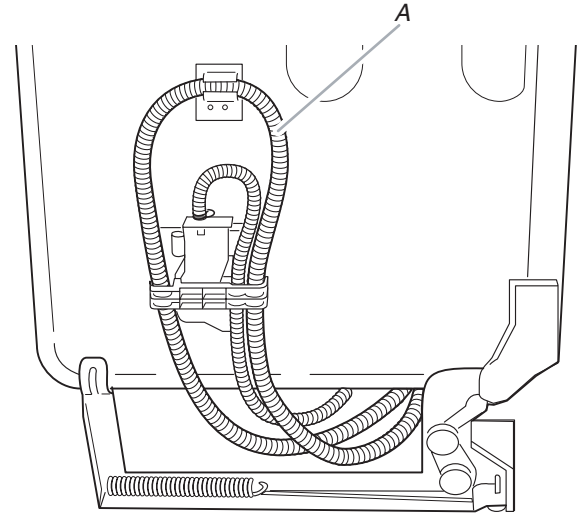
1. To avoid vibration during operation, route the water supply line so that it does not touch the dishwasher base, frame or motor.
2. With copper tubing pushed into compression fitting as far as it will go, use a wrench and tighten compression fitting nut to elbow on water inlet valve.



3. Place paper towel under elbow. Turn on water supply and check for leaks.

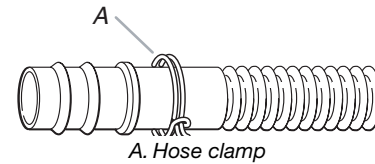
Connect to Drain

1. To help minimize vibration, route drain hose to avoid contact with motor, door springs, water line, cabinet, flooring or the edge of the hole where it passes through the cabinet.
2. Do not remove drain loop from side of dishwasher.

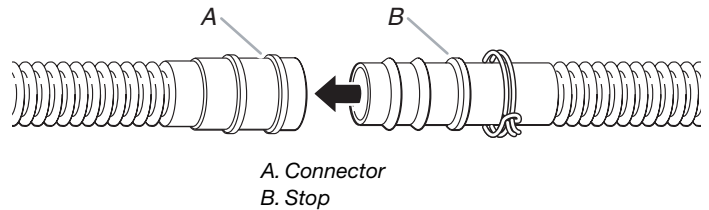


A. Drain loop

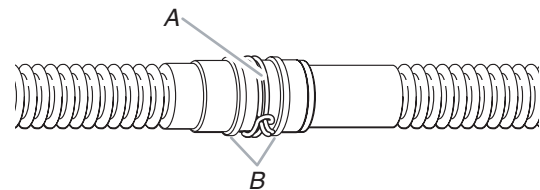
3. Place pan under end of drain hose. Pan will collect any water in drain hose.
4. Place the smaller drain hose clamp onto the small end of the drain hose.



5. Push the drain hose into the connector up to the stop on the drain hose.



6. Use pliers to open clamp and slide clamp onto connector between stops on connector as shown.



Secure Dishwasher in Cabinet Opening

⚠ WARNING



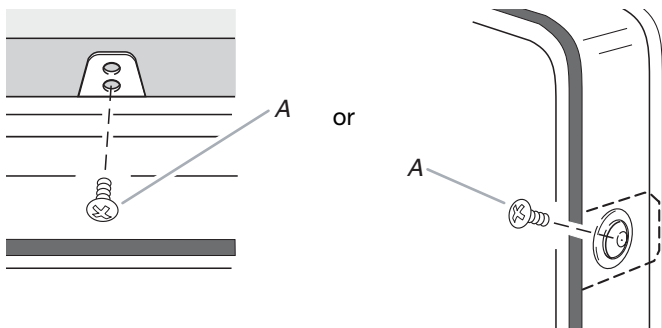
Tip Over Hazard

Do not use dishwasher until completely installed.

Do not push down on open door.

Doing so can result in serious injury or cuts.

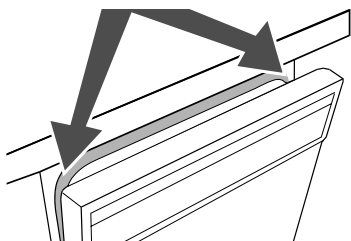
1. If you have not already done so, open dishwasher door and place towel over pump assembly and spray arm of dishwasher. This will keep screws from falling into pump area when securing dishwasher to countertop.
2. Check that dishwasher is still level and centered side to side in the opening.
3. Secure dishwasher to countertop or sides of cabinet with two, #10 x 1/2" Phillips-head screws. The dishwasher must be secured to keep it from tipping when door is opened. Do not drop screws into bottom of dishwasher.



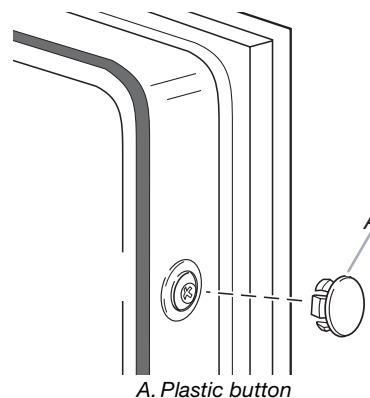
A. Screw to countertop

A. Screw to side cabinet

4. Open door about 3" (7.6 cm) and check that space between inner door and tub is equal on both sides. If spacing is not equal, loosen bracket screws and shift tub. Tighten bracket screws.
5. If using a countertop attachment to secure dishwasher, check that top of door does not contact screws, brackets, or countertop. If it does, dishwasher must be lowered and re-leveled.



6. If securing with a side attachment, check that sides of door do not rub against the screw heads. If they do, dishwasher must be re-centered. When dishwasher is properly centered, replace plastic buttons.

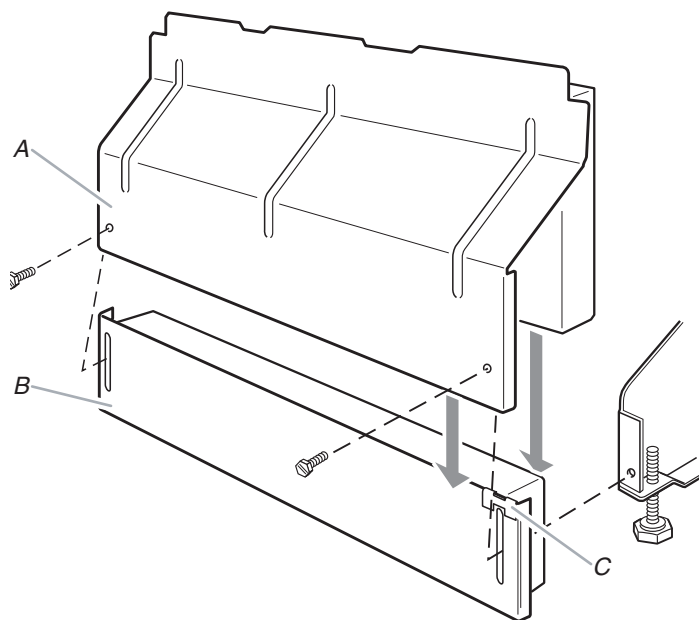


A. Plastic button

7. Remove towel from dishwasher.
8. Reinstall the lower dish rack.

Complete Installation

1. Check that grounding clip is attached to the lower panel.
2. Place the lower panel behind the access panel. Some models have insulation on the access panel which must fall behind the insulation on the lower panel.



A. Access panel

B. Lower panel

C. Grounding clip

3. Hold the 2 panels together and push them up against dishwasher leg and vinyl pad.
4. Reinstall the screws through the holes in the access panel and the slots in the lower panel. Install right side screw first.
5. Check that the lower edge of the lower panel contacts the floor.
6. Tighten the screws.

Direct Wire Method

⚠ WARNING



Electrical Shock Hazard

Electrically ground dishwasher.

Connect ground wire to green ground connector in terminal box.

Do not use an extension cord.

Failure to follow these instructions can result in death, fire, or electrical shock.

Power Supply Cord Method

⚠ WARNING



Electrical Shock Hazard

Plug into a grounded 3 prong outlet.

Do not remove ground prong.

Do not use an adapter.

Do not use an extension cord.

Failure to follow these instructions can result in death, fire, or electrical shock.

7. Reconnect power or plug in dishwasher.

Check Operation

1. Read the Use and Care Guide that came with your dishwasher.
2. Check that all parts have been installed and no steps were skipped.
3. Check that you have all the tools you used.
4. Start dishwasher and allow it to complete the shortest wash cycle. After the first 2 minutes, unlatch door, wait 5 seconds, then open door.
5. Check that there is water in the bottom of the dishwasher tub. Check that dishwasher is working properly.
6. If not, disconnect power or unplug dishwasher and see “If dishwasher does not operate” section.

If Dishwasher Does Not Operate

First try the solutions suggested here to possibly avoid the cost of a service call.

- Has the circuit breaker tripped or the house fuse blown?
- Is the door closed tightly and latched?
- Has the cycle been set correctly to start the dishwasher?
- Is the water turned on?

If dishwasher still is not operating, call **1-800-253-1301**.

SÉCURITÉ DU LAVE-VAISSELLE

Votre sécurité et celle des autres est très importante.

Nous donnons de nombreux messages de sécurité importants dans ce manuel et sur votre appareil ménager. Assurez-vous de toujours lire tous les messages de sécurité et de vous y conformer.



Voici le symbole d'alerte de sécurité.

Ce symbole d'alerte de sécurité vous signale les dangers potentiels de décès et de blessures graves à vous et à d'autres.

Tous les messages de sécurité suivront le symbole d'alerte de sécurité et le mot "DANGER" ou "AVERTISSEMENT". Ces mots signifient :

⚠ DANGER

Risque possible de décès ou de blessure grave si vous ne suivez pas immédiatement les instructions.

⚠ AVERTISSEMENT

Risque possible de décès ou de blessure grave si vous ne suivez pas les instructions.

Tous les messages de sécurité vous diront quel est le danger potentiel et vous disent comment réduire le risque de blessure et ce qui peut se produire en cas de non-respect des instructions.

⚠ AVERTISSEMENT



Risque de basculement

Ne pas utiliser le lave-vaisselle jusqu'à ce qu'il soit complètement installé.

Ne pas appuyer sur la porte ouverte.

Le non-respect de ces instructions peut causer des blessures graves ou des coupures.

Effectuer les opérations suivantes :

- Ouvrir lentement le tiroir du lave-vaisselle tandis qu'une autre personne saisit l'arrière de l'appareil. Retirer le matériel d'expédition. Fermer le tiroir du lave-vaisselle. Fermer le tiroir du lave-vaisselle en engageant le verrou.
- Respecter les dispositions de tous les codes et règlements en vigueur.
- Installer le lave-vaisselle conformément aux prescriptions des présentes instructions.
- Assurez-vous d'avoir à disposition tout ce dont vous avez besoin pour l'installation du lave-vaisselle.
- Contacter un installateur qualifié pour veiller à ce que l'installation du lave-vaisselle soit conforme aux prescriptions de tous les codes et règlements d'électricité et de plomberie locaux et nationaux en vigueur.

EXIGENCES D'INSTALLATION

Outils et pièces

Rassembler les outils et composants nécessaires avant d'entreprendre l'installation. Lire et observer les instructions fournies avec chacun des outils de la liste ci-dessous

Outils nécessaires

- Pince
- Tournevis Phillips
- Tournevis à lame plate
- Tourne-écrous ou clés à douille de $\frac{5}{16}$ " et $\frac{1}{4}$ "
- Mètre-ruban ou règle
- Scie à trous de $1\frac{1}{2}$ "
- Connecteurs de fils de taille appropriée pour le raccordement des conducteurs de l'appareil (calibre 16) au câblage de la maison (2)
- Tournevis 15 TORX® (si installation de panneaux avant personnalisés)
- Clé à molette de 10" (s'ouvre à $1\frac{1}{8}$ " [2,9 cm])
- Couteau utilitaire
- Niveau
- Perceuse sans fil
- Clé plate de $\frac{5}{8}$ "
- Lampe de poche
- Plat peu profond
- Cale en bois
- Serviette de bain

Pièces nécessaires

- Raccord coudée de 90° avec filetage externe de $\frac{3}{8}$ " NPT à une extrémité. (La configuration de l'autre extrémité doit être adaptée à celle de la canalisation d'arrivée d'eau.)
- Ruban de Teflon®†† ou composé d'étanchéité
- Cales
- Vis à bois n°10 x $\frac{1}{2}$ " (si installation de panneaux avant personnalisés) (4)

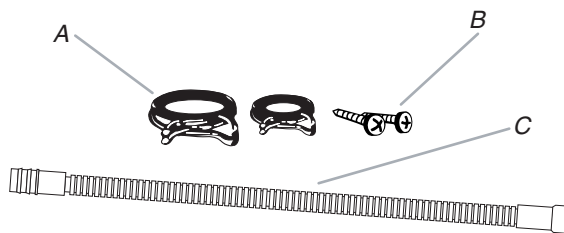
Outils nécessaires à une nouvelle installation

- Perceuse sans fil
- Embouts de scie à trous de $\frac{1}{2}$ ", $\frac{3}{4}$ " et $1\frac{1}{2}$ "
- Centre de petit tube
- Pince à dénuder
- Bride à vis de $\frac{1}{2}$ " à 2" (si connexion au raccord d'évacuation en T)

Outils nécessaires à une nouvelle installation

- Raccord en cuivre ($\frac{3}{8}$ " recommandé) ou
- Conduit de raccordement flexible tressé en acier inoxydable
- Serre-câble ou connecteur de conduit (convient à un trou d'un diamètre de $\frac{7}{8}$ " [2,2 cm])

Pièces fournies



- A. Brides de fixation de tuyau d'évacuation [1 grosse et 1 petite] (2)
- B. Vis à tête Phillips n° 10 x $\frac{1}{2}$ " (2)
- C. Tuyau d'évacuation

Pièces supplémentaires fournies (modèles avec ventilation par le dessus uniquement)

- Plaque d'insonorisation inférieure (située sur la grille inférieure)
- Ruban anti-humidité

Vérifier la présence de toutes ces pièces. Si toutes les pièces ne sont pas présentes, composer le **1-800-253-1301**.

Voir la liste séparée des pièces et accessoires disponibles pour le lave-vaisselle.

Exigences d'emplacement

Ne pas placer de canalisation d'évacuation, de canalisation d'eau ou de câblage électrique à un endroit où cela susciterait interférence ou contact avec les pieds ou le moteur du lave-vaisselle.

À l'emplacement d'installation du lave-vaisselle, on doit pouvoir établir le dégagement approprié entre le moteur et le plancher. Le moteur ne doit pas toucher le plancher.

Ne pas installer le lave-vaisselle par-dessus un tapis.

Protéger du gel le lave-vaisselle et les canalisations d'eau qui l'alimentent. La garantie de l'appareil ne couvre pas les dommages imputables au gel.

Un ensemble "panneau latéral" est disponible chez les revendeurs pour l'installation du lave-vaisselle à l'extrémité d'une rangée de placards.

Un accessoire pare-vapeur (produit n° 4396277) est disponible chez votre marchand pour l'installation de l'appareil sous le plan de travail. Cependant l'utilisation de cet accessoire n'est pas indispensable. Pour commander, composer le **1-800-253-1301**.

Inspecter l'emplacement d'installation du lave-vaisselle. Il doit comporter les caractéristiques suivantes :

- Facilité d'accès aux canalisations d'eau et d'égout et à la source d'électricité.
- Facilité d'accès pour le chargement et le déchargement de la vaisselle. Dans le cas de l'installation dans un angle, on doit pouvoir établir un dégagement minimal de 2" (5,1 cm) entre le côté de la porte du lave-vaisselle et le mur ou le placard.
- S'assurer que l'ouverture soit d'équerre pour que l'orientation soit correcte.
- Façade des placards perpendiculaire au plancher.
- Plancher d'aplomb. Si le plancher devant le lave-vaisselle n'est pas d'aplomb avec celui de l'arrière de l'ouverture, l'utilisation de cales est peut-être nécessaire pour établir l'aplomb du lave-vaisselle.

REMARQUE : Pour éviter tout déplacement des cales durant le fonctionnement de l'appareil, il est nécessaire de les fixer au plancher.

†®TORX est une marque déposée de Acument Intellectual Properties, LLC

††®TEFLON est une marque déposée de E.I. Du Pont De Nemours et Compagnie.

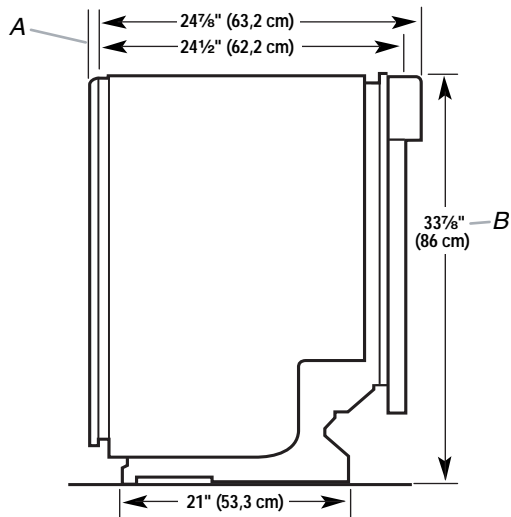
Si le lave-vaisselle ne doit pas être utilisé pendant une période prolongée ou s'il est laissé à un endroit qui pourrait être exposé au gel, veiller à faire exécuter les opérations d'hivernage par un technicien compétent.

Veiller à ce que les canalisations d'eau, canalisations d'évacuation et câbles électriques soient dans la zone marquée en gris dans la section "Dimensions de l'emplacement d'installation".

Conseil utile : Si le plancher de l'espace d'installation du lave-vaisselle n'est pas parfaitement horizontal et plat (exemple : carrelage arrivant seulement partiellement dans l'ouverture), prendre les mesures correctes et établir l'aplomb du lave-vaisselle.

Dimensions du produit

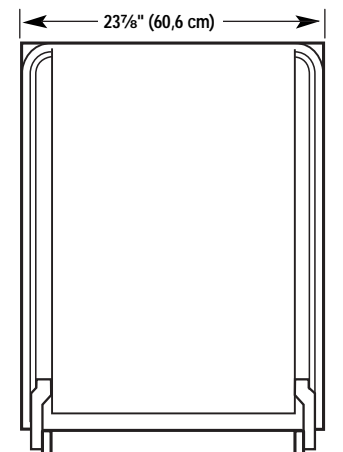
Vue latérale



A. $\frac{3}{4}$ " (1,9 cm) matériau isolant compressé (pas utilisé sur tous les modèles)

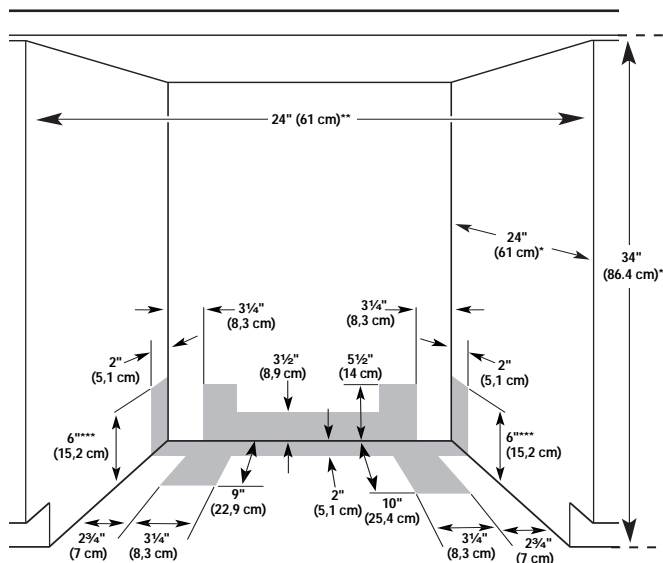
B. $33\frac{7}{8}$ " (86 cm) au minimum avec les roues retirées

Vue arrière



Distances de dégagement à respecter

Dimensions de l'ouverture à découper



Découper les trous dans la zone marquée en gris du plancher, du mur ou des parois des placards, selon les spécifications ci-dessous :

Canalisation d'eau - $\frac{1}{2}$ " (1,3 cm)

Canalisation d'évacuation - $1\frac{1}{2}$ " (3,8 cm)

Câblage direct - $\frac{3}{4}$ " (1,9 cm)

Cordon d'alimentation - $1\frac{1}{2}$ " (3,8 cm)

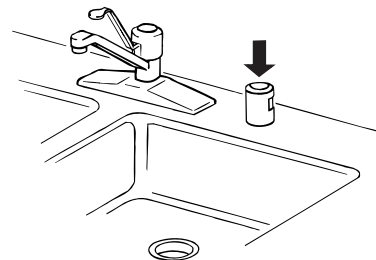
*Mesure depuis le point le plus bas de la face inférieure du plan de travail. Cette dimension peut être réduite à $33\frac{7}{8}$ " (86 cm) si l'on retire les roues du lave-vaisselle.

**Dimension minimale mesurée au point le plus étroit de l'ouverture.

***Cette dimension peut être portée à $6\frac{5}{8}$ " (16,6 cm) si la hauteur de l'ouverture est de $34\frac{1}{2}$ " (87,6 cm) à son point le plus bas.

Exigences concernant l'évacuation

- Utiliser le tuyau d'évacuation neuf fourni avec le lave-vaisselle. Si ce tuyau n'est pas suffisamment long, utiliser un tuyau d'évacuation neuf de longueur maximale 12 pi (3,7 m) qui satisfait aux critères de la norme AHAM/IAPMO en vigueur, est résistant à la chaleur et aux détergents, et qui pourra être connecté sur le raccord d'évacuation de 1" (2,5 cm) du lave-vaisselle.
- Connecter le tuyau d'évacuation à la canalisation d'égout par l'intermédiaire d'un raccord en T ou du raccord d'un broyeur à déchets situé plus haut que le siphon du circuit de plomberie de la maison et à au moins 20" (50,8 cm) au-dessus du sol. On recommande de lover le tuyau d'évacuation et de le fixer solidement sur la face inférieure du plan de travail, ou de le raccorder à un dispositif brise-siphon.



- Utiliser un dispositif brise-siphon si le tuyau d'évacuation est connecté à la canalisation d'égout de la maison à moins de 20" (50,8 cm) au-dessus du sous-plancher ou du plancher.

- Utiliser un raccord de canalisation d'évacuation de diamètre intérieur de 1/2" (1,3 cm) ou plus.

Spécifications de l'alimentation en eau

- Canalisation d'eau chaude, sous pression de 20 à 120 lb/po² (138–862 kPa).
- Température de l'eau du lave-vaisselle à 120°F (49°C).
- Conduit flexible en acier inoxydable tressé avec repères de remplissage (l'usage d'un tube de plastique d'un minimum de 1/2" (1,27 cm) est déconseillé).

Spécifications électriques

Communiquer avec un électricien qualifié.

Veiller à ce que l'installation électrique du lave-vaisselle soit conforme aux prescriptions de tous les codes locaux et nationaux en vigueur.

Il vous faut :

- Une source d'alimentation de 120 V, 60 Hz, CA seulement, type 15 ou 20 ampères, protégée par fusible et reliée à la terre.
- Conducteurs de cuivre uniquement.

Nous recommandons:

- L'utilisation d'un fusible ou disjoncteur temporisé.
- Un circuit séparé.

Pour lave-vaisselle avec raccordement direct :

- Utiliser des conducteurs de cuivre gainés non métalliques ou blindés souples qui satisfassent aux exigences de l'installation électrique de votre domicile et qui soient conformes aux prescriptions des codes et règlements locaux.
- Utiliser le type de serre-câble fourni avec la boîte de raccordement électrique du domicile ou installer un connecteur de conduit homologué UL/certifié CSA sur le boîtier de raccordement électrique du domicile. Si l'on utilise un conduit, utiliser un connecteur de conduit (homologation UL ou CSA).

Pour le raccordement du lave-vaisselle avec un cordon d'alimentation électrique :

- Utiliser l'ensemble de cordon d'alimentation électrique (pièce no. 4317824) pour utilisation avec lave-vaisselle. L'ensemble contient :
 - Un cordon d'alimentation électrique Voltex, Inc., de calibre 16 à 3 fils, homologué UL, avec une prise à 3 alvéoles reliée à la terre.
 - Serre-câble Neer C-500 7/8".
 - Connexion à 3 conducteurs.
 - CEillet - Pièce no 302797.

Suivre les instructions de la trousse pour l'installation du cordon d'alimentation.

- Le branchement du cordon d'alimentation doit pouvoir se faire dans une prise de courant compatible à trois alvéoles reliée à la terre située dans le placard à côté de l'espace d'encastrement du lave-vaisselle. La prise de courant doit satisfaire aux prescriptions de tous les codes et règlements en vigueur.

INSTRUCTIONS D'INSTALLATION

⚠ AVERTISSEMENT



Risque de choc électrique

Interrompre l'alimentation électrique avant d'installer le lave-vaisselle (au niveau du tableau de distribution - fusible ou disjoncteur)

Le non-respect de cette instruction peut causer un décès ou un choc électrique.

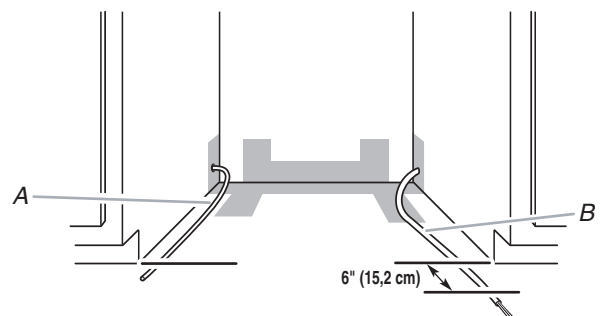
1. Déconnecter la source de courant électrique.
2. Fermer l'alimentation en eau.

Aménagement de la cavité d'encastrement du placard Utilisation des moyens de raccordement préexistants

- Suivre les étapes de cette section pour l'installation du lave-vaisselle dans un espace d'encastrement pour placard déjà doté de moyens de raccordement.

- Pour l'installation du lave-vaisselle dans un espace d'encastrement pour placard non doté de moyens de raccordement, suivre les étapes de la section "Préparation de l'espace d'encastrement pour placard non doté de moyens de raccordement".

1. Vérifier que la canalisation d'eau atteint le côté avant gauche de l'espace d'installation, là où le raccordement à l'eau sera effectué.



A. Canalisation d'eau
B. Câblage direct

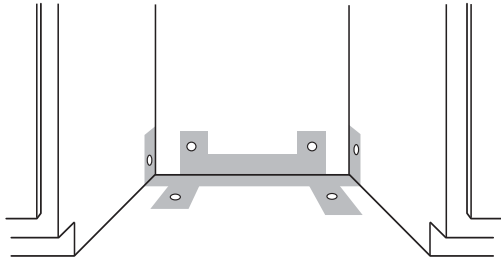
2. Vérifier que le câble d'alimentation atteint l'angle avant droit de l'espace d'installation (endroit où le raccordement à l'appareil sera effectué).

Si la canalisation d'eau et le câble de raccordement électrique sont suffisamment longs, passer à la section suivante "Installation du tuyau d'évacuation". Si la canalisation d'eau et le câble électrique ne sont pas suffisamment longs, suivre les étapes de "Préparation de l'espace d'encastrement pour placard non doté de moyens de raccordement".

Installation du tuyau d'évacuation

IMPORTANT : On doit toujours utiliser un tuyau d'évacuation neuf, même pour l'installation d'un lave-vaisselle de remplacement.

1. Percer un trou de diamètre 1 1/2" (3,8 cm) dans la paroi du placard ou dans le plancher sur le côté de l'espace d'installation le plus proche de l'évier.



2. Employer l'une des méthodes suivantes pour raccorder le tuyau d'évacuation sur un raccord en T ou sur un broyeur à déchets.

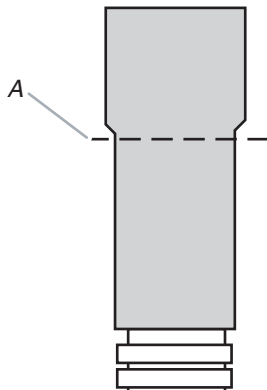
- Option 1 - broyeur à déchets – avec brise-siphon
- Option 2 - pas de broyeur à déchets – avec brise-siphon
- Option 3 - broyeur à déchets – sans brise-siphon*
- Option 4 - pas de broyeur à déchets – sans brise-siphon*

*On recommande la mise en place d'un brise-siphon

Conseil utile : Pour réduire les effets de vibration du tuyau durant le fonctionnement, maintenir une séparation entre le tuyau et le plancher et entre le tuyau et la circonférence du trou de passage à travers le placard.

Option 1 : Broyeur à déchets - avec brise-siphon

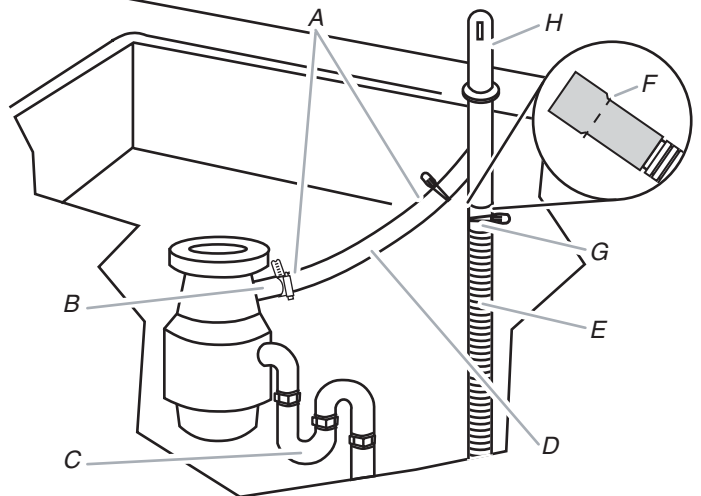
1. Ôter l'opercule arrachable du broyeur à déchets. Si nécessaire, couper l'extrémité du tuyau d'évacuation (ne pas couper dans la section ondulée).



A. Tuyau d'évacuation (couper ici si nécessaire)

2. Connecter le tuyau d'évacuation sur le dispositif brise-siphon avec la grosse bride à ressort. Si le tuyau d'évacuation a été coupé, utiliser une bride à vis** de 1 1/2" à 2" (3,8 à 5 cm).
3. Utiliser un raccord en caoutchouc** avec des brides à ressort ou à vis pour raccorder le dispositif brise-siphon à l'entrée du broyeur à déchets.

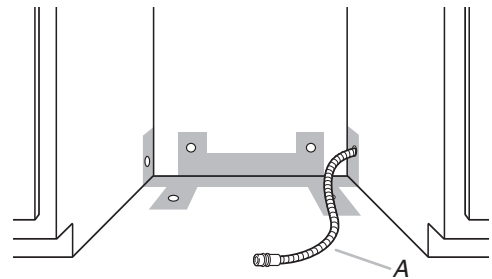
Ce raccordement doit être réalisé en amont du siphon du circuit d'évacuation et à au moins 50,8 cm (20") au-dessus du plancher de l'espace d'installation du lave-vaisselle.



- A. Brides à ressort ou à vis
- B. Entrée du broyeur à déchets
- C. Siphon du circuit d'évacuation
- D. Raccord de tuyau en caoutchouc

- E. Tuyau d'évacuation
- F. Tuyau d'évacuation (couper ici si nécessaire)
- G. Grosse bride à ressort
- H. Brise-siphon

4. Insérer le tuyau d'évacuation dans le centre avant de l'ouverture où le raccordement du tuyau de vidange sera effectué.

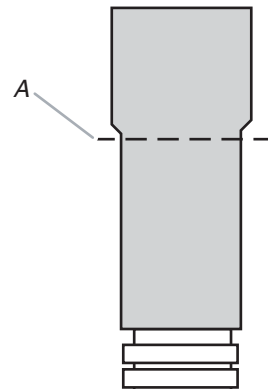


A. Tuyau d'évacuation

**Pièces disponibles dans un magasin local de fournitures de plomberie.

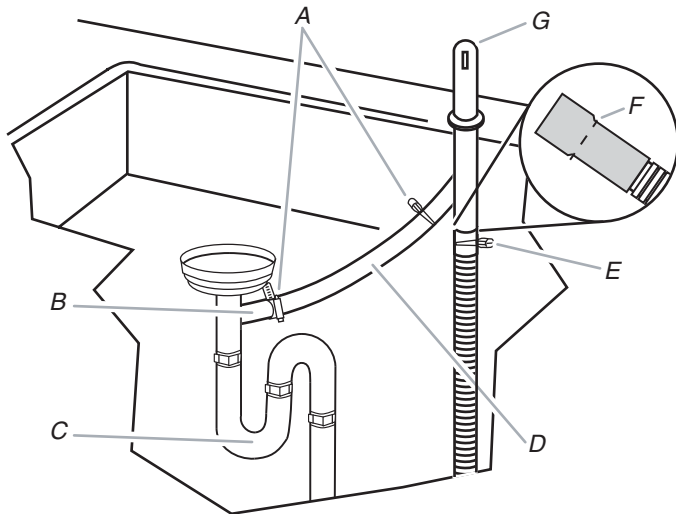
Option 2 : Sans broyeur à déchets - avec brise-siphon

1. Si nécessaire, couper l'extrémité du tuyau d'évacuation (ne pas couper dans la section ondulée).



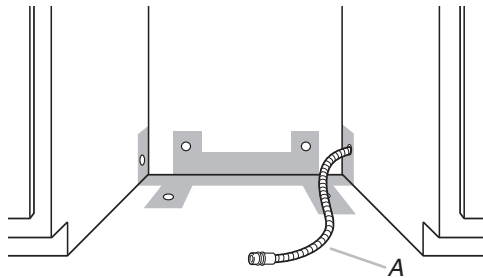
A. Tuyau d'évacuation (couper ici si nécessaire)

2. Connecter le tuyau d'évacuation sur le dispositif brise-siphon avec la grosse bride à ressort. Si le tuyau d'évacuation a été coupé, utiliser une bride à vis** de 1½" à 2" (3,8 à 5 cm).
3. Utiliser un raccord de tuyau de caoutchouc** avec des brides à ressort ou à vis pour le raccordement entre le dispositif brise-siphon et le raccord en T du circuit d'évacuation.
Ce raccordement doit être réalisé en amont du siphon du circuit d'évacuation et à au moins 20" (50,8 cm) au-dessus du plancher de l'espace d'installation du lave-vaisselle.



- | | |
|---|------------------------------------|
| A. Brides à ressort ou à vis | D. Raccord de tuyau en caoutchouc |
| B. Raccord en T du circuit d'évacuation | E. Grosse bride à ressort |
| C. Siphon du circuit d'évacuation | F. Tuyau d'évacuation (couper ici) |
| | G. Brise-siphon |

4. Insérer le tuyau d'évacuation dans le trou découpé dans la partie avant centrale de l'ouverture du placard, là où le raccordement pour l'évacuation sera effectué.



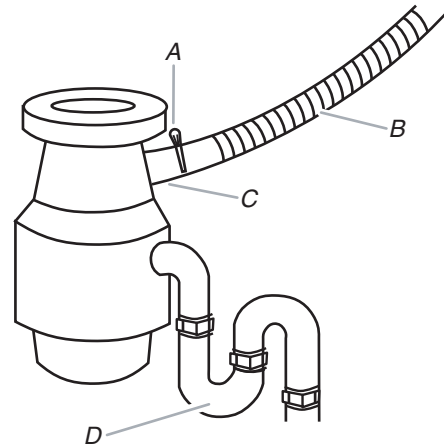
A. Tuyau d'évacuation

**Pièces disponibles dans un magasin local de fournitures de plomberie.

Option 3 : Broyeur à déchets - sans brise-siphon

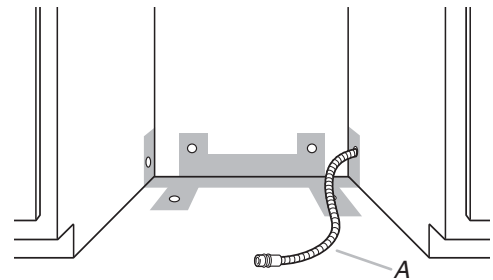
1. Ôter l'opercule arrachable du broyeur à déchets. Ne pas couper l'extrémité du tuyau d'évacuation.
2. Connecter le tuyau d'évacuation sur le broyeur à déchets avec la grosse bride à ressort.
Ce raccordement doit être réalisé en amont du siphon du circuit d'évacuation et à au moins 50,8 cm (20") au-dessus du plancher de l'espace d'installation du lave-vaisselle.

On recommande de lover le tuyau d'évacuation et de le fixer solidement sur la face inférieure du plan de travail.



- | | |
|---------------------------|-----------------------------------|
| A. Grosse bride à ressort | C. Entrée du broyeur à déchets |
| B. Tube d'évacuation | D. Siphon du circuit d'évacuation |

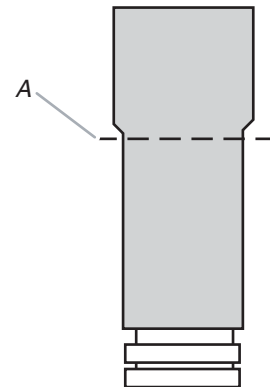
3. Insérer le tuyau d'évacuation dans le trou découpé dans la partie avant centrale de l'ouverture du placard, là où le raccordement pour l'évacuation sera effectué.



A. Tuyau d'évacuation

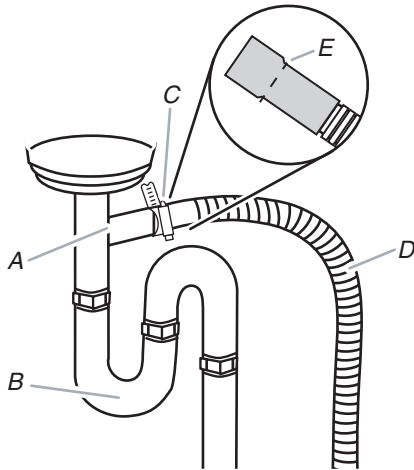
Option 4 : Sans broyeur à déchets - sans brise-siphon

1. Si nécessaire, couper l'extrémité du tuyau d'évacuation (ne pas couper dans la section ondulée).



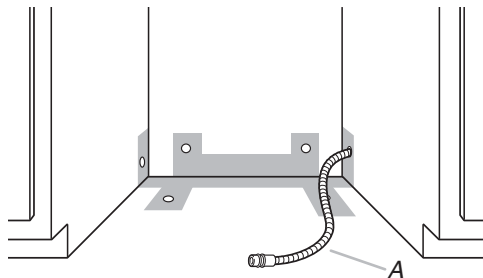
A. Tuyau d'évacuation (couper ici si nécessaire)

2. Connecter le tuyau d'évacuation sur le raccord en T du circuit d'évacuation avec une bride à vis** de 1½" à 2" (3,8 à 5 cm). Ce raccordement doit être réalisé en amont du siphon du circuit d'évacuation et à au moins 50,8 cm (20") au-dessus du plancher de l'espace d'installation du lave-vaisselle. On recommande de lover le tuyau d'évacuation et de le fixer solidement sur la face inférieure du plan de travail.



A. Raccord en T du circuit d'évacuation
 B. Siphon du circuit d'évacuation
 C. Bride à vis
 D. Tuyau d'évacuation
 E. Tuyau d'évacuation (couper ici si nécessaire)

3. Insérer le tuyau d'évacuation dans le trou découpé dans la partie avant centrale de l'ouverture du placard, là où le raccordement pour l'évacuation sera effectué.



A. Tuyau d'évacuation

**Pièces disponibles dans un magasin local de fournitures de plomberie.

Préparation de l'espace d'encastrement du placard non doté de moyens de raccordement

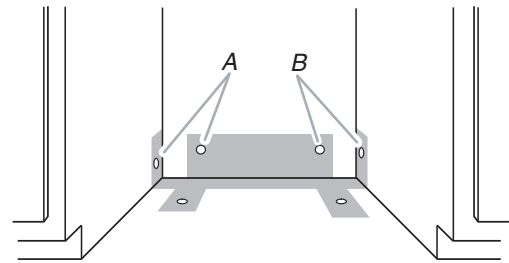
Raccordement électrique

Option 1 : Raccordement par câblage direct

Conseil utile : Le raccordement au lave-vaisselle sera plus facile si on achemine le câble dans l'ouverture de l'espace d'installation du placard, par le côté droit.

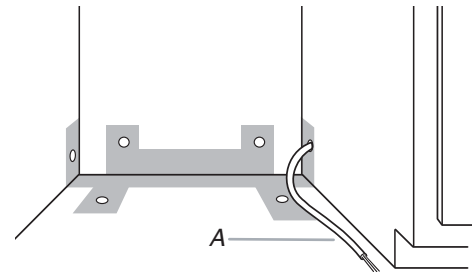
1. Percer un trou de ¾" (1,9 cm) dans la paroi du placard, le mur arrière ou le plancher, sur le côté droit de l'espace d'installation. Les emplacements préférés ainsi que les

autres emplacements possibles sont identifiés sur l'illustration.



A. Autres emplacements possibles
 B. Emplacements préférés

2. Placard de bois : poncer la rive du trou percé pour produire une surface lisse.
 Placard métallique : garnir la circonférence du trou percé avec une bague de protection (non fournie).
3. Acheminer le câble jusqu'à la boîte de connexion (tableau de distribution de la maison).
4. Pour un câble flexible, installer un serre-câble (homologation UL ou CSA). Dans le cas de l'installation d'un conduit, installer un connecteur de conduit sur la boîte de connexion (homologation UL ou CSA).
5. Faire passer l'autre extrémité du câble à travers le trou percé dans le placard. L'extrémité du câble doit pouvoir parvenir jusqu'à l'angle avant droit de l'espace d'installation.

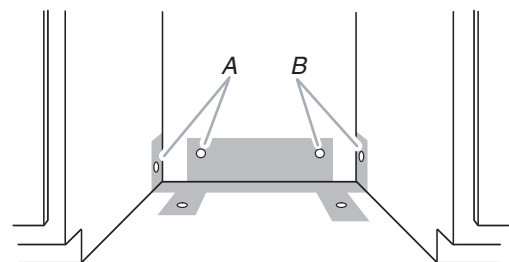


A. Câblage direct

Option 2 : Méthode avec cordon d'alimentation

REMARQUE : Une prise de courant à 3 alvéoles de configuration correspondante, reliée à la terre doit être installée dans un placard, à côté de l'emplacement d'installation du lave-vaisselle.

1. Percer un trou de 1½" (3,8 cm) dans la partie latérale ou arrière du placard. Les emplacements préférés ainsi que les autres emplacements possibles sont identifiés sur l'illustration.



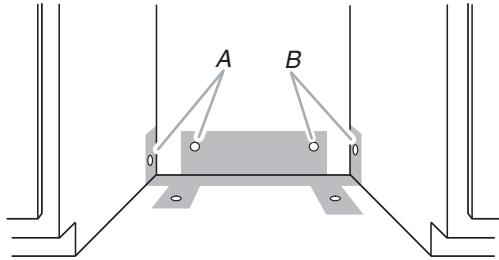
A. Autres emplacements possibles
 B. Emplacements préférés

2. Placard de bois : poncer la rive du trou percé pour produire une surface lisse.
 Placard métallique : Recouvrir le trou avec un œillet en caoutchouc (pièce numéro 302797) inclus avec le cordon d'alimentation.

Installation de la canalisation d'eau

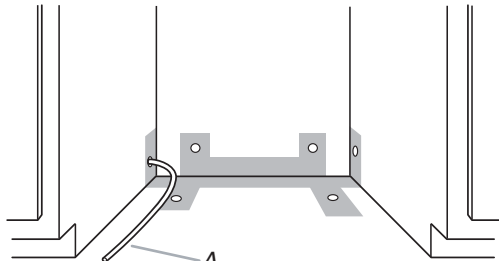
Conseil utile : Le raccordement au lave-vaisselle sera plus facile si on achemine la canalisation d'eau par le côté gauche de l'espace d'installation du placard.

1. Percer un trou de diamètre minimum de 1/2" (1,3 cm) dans la paroi du placard, le mur arrière ou le plancher. Les emplacements préférés ainsi que les autres emplacements possibles sont identifiés sur l'illustration.



A. Autres emplacements possibles
B. Emplacements préférés

2. Mesurer la longueur totale de tube de cuivre nécessaire.
3. Connecter le tube de cuivre à la canalisation d'eau par l'intermédiaire d'un robinet d'arrêt manuel.



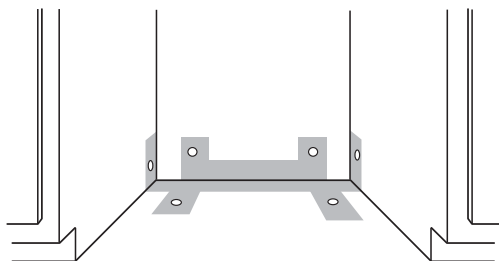
A. Connecter le tube

4. Enfiler doucement le tube de cuivre à travers le trou percé dans le placard. On doit travailler prudemment; le tube de cuivre est malléable et on peut facilement le déformer et même l'écraser. Vérifier que le tube de cuivre atteint le côté avant gauche de l'espace d'installation (endroit où le raccordement à l'appareil sera effectué).
5. Ouvrir le robinet d'arrêt en le plaçant à la position "ON". Évacuer l'eau dans un bac peu profond pour éliminer les particules et débris qui pourraient encrasser l'électrovanne.
6. Fermer le robinet d'arrêt en le plaçant à la position "OFF".

Installation du tuyau d'évacuation

IMPORTANT : On doit toujours utiliser un tuyau d'évacuation neuf, même pour l'installation d'un lave-vaisselle de remplacement.

1. Percer un trou de diamètre 1 1/2" (3,8 cm) dans la paroi du placard ou dans le plancher sur le côté de l'espace d'installation le plus proche de l'évier.



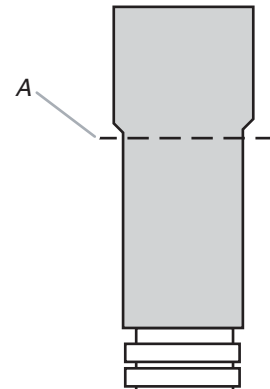
2. Employer l'une des méthodes suivantes pour raccorder le tuyau d'évacuation sur un raccord en T ou sur un broyeur à déchets.
 - Option 1 - broyeur à déchets – avec brise-siphon
 - Option 2 - pas de broyeur à déchets – avec brise-siphon
 - Option 3 - broyeur à déchets – sans brise-siphon*
 - Option 4 - pas de broyeur à déchets – sans brise-siphon*

*On recommande la mise en place d'un brise-siphon

Conseil utile : Pour réduire les effets de vibration du tuyau durant le fonctionnement, maintenir un espace entre le tuyau et le plancher et entre le tuyau et la circonférence du trou de passage à travers le placard.

Option 1 : Broyeur à déchets - avec brise-siphon

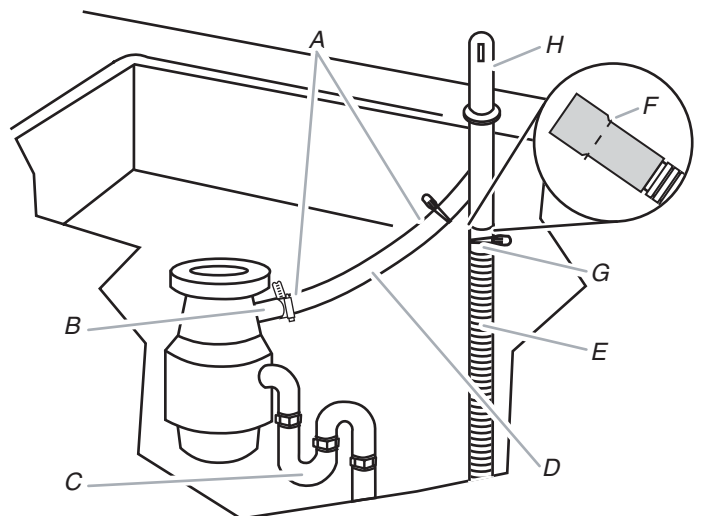
1. Ôter l'opercule arrachable du broyeur à déchets. Si nécessaire, couper l'extrémité du tuyau d'évacuation (ne pas couper dans la section ondulée).



A. Tuyau d'évacuation (couper ici si nécessaire)

2. Connecter le tuyau d'évacuation sur le dispositif brise-siphon avec la grosse bride à ressort. Si le tuyau d'évacuation a été coupé, utiliser une bride à vis** de 1 1/2" à 2" (3,8 à 5 cm).
3. Utiliser un raccord en caoutchouc** avec des brides à ressort ou à vis pour raccorder le dispositif brise-siphon à l'entrée du broyeur à déchets.

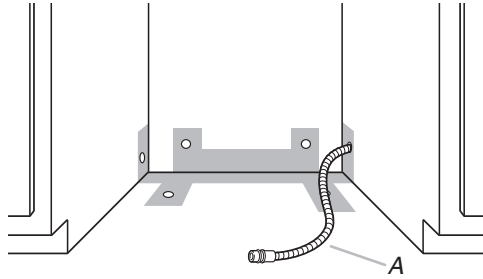
REMARQUE : Ce raccordement doit être réalisé en amont du siphon du circuit d'évacuation et à au moins 20" (50,8 cm) au-dessus du plancher de l'espace d'installation du lave-vaisselle.



A. Brides à ressort ou à vis
B. Entrée du broyeur à déchets
C. Siphon du circuit d'évacuation
D. Raccord de tuyau en caoutchouc

E. Tuyau d'évacuation
F. Tuyau d'évacuation (couper ici si nécessaire)
G. Grosse bride à ressort
H. Brise-siphon

4. Insérer le tuyau d'évacuation dans le centre avant de l'ouverture où le raccordement du tuyau de vidange sera effectué.

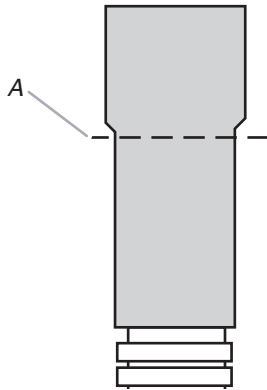


A. Tuyau d'évacuation

**Pièces disponibles dans un magasin local de fournitures de plomberie.

Option 2 : Sans broyeur à déchets - avec brise-siphon

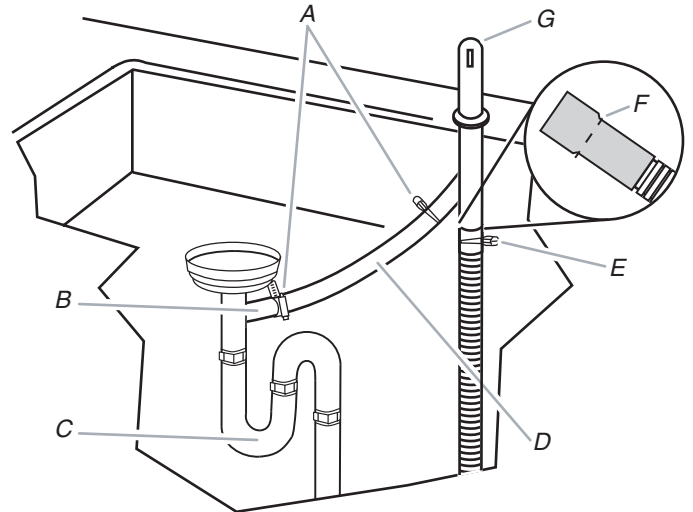
1. Si nécessaire, couper l'extrémité du tuyau d'évacuation (ne pas couper dans la section ondulée).



A. Tuyau d'évacuation (couper ici si nécessaire)

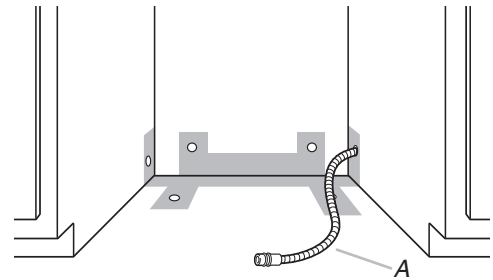
2. Connecter le tuyau d'évacuation sur le dispositif brise-siphon avec la grosse bride à ressort. Si le tuyau d'évacuation a été coupé, utiliser une bride à vis** de 1½" à 2" (3,8 à 5 cm).
3. Utiliser un raccord de tuyau de caoutchouc** avec des brides à ressort ou à vis pour le raccordement entre le dispositif brise-siphon et le raccord en T du circuit d'évacuation.

Ce raccordement doit être réalisé en amont du siphon du circuit d'évacuation et à au moins 20" (50,8 cm) au-dessus du plancher de l'espace d'installation du lave-vaisselle.



- A. Brides à ressort ou à vis
 B. Raccord en T du circuit d'évacuation
 C. Siphon du circuit d'évacuation
 D. Raccord de tuyau en caoutchouc
 E. Grosse bride à ressort
 F. Tuyau d'évacuation (couper ici si nécessaire)
 G. Brise-siphon

4. Insérer le tuyau d'évacuation dans le trou découpé dans la partie avant centrale de l'ouverture du placard, là où le raccordement pour l'évacuation sera effectué.



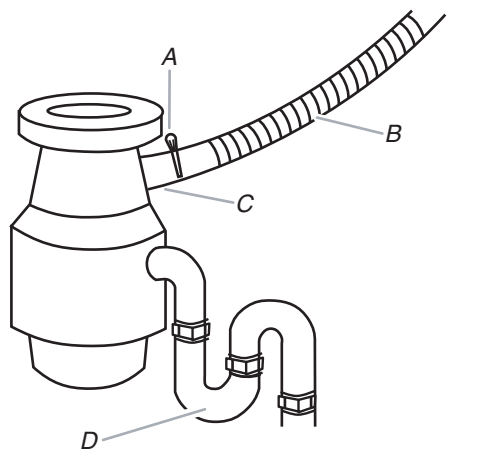
A. Tuyau d'évacuation

**Pièces disponibles dans un magasin local de fournitures de plomberie.

Option 3 : Broyeur à déchets - sans brise-siphon

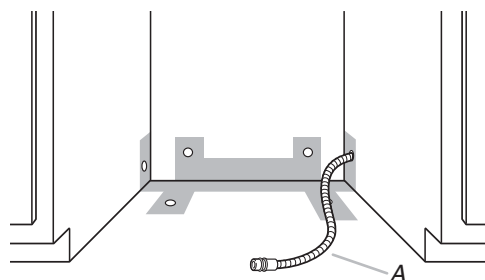
1. Ôter l'opercule arrachable du broyeur à déchets. Ne pas couper l'extrémité du tuyau d'évacuation.
2. Connecter le tuyau d'évacuation sur le broyeur à déchets avec la grosse bride à ressort.

REMARQUE : Ce raccordement doit être réalisé en amont du siphon du circuit d'évacuation et à au moins 20" (50,8 cm) au-dessus du plancher de l'espace d'installation du lave-vaisselle. On recommande de lover le tuyau d'évacuation et de le fixer solidement sur la face inférieure du plan de travail.



A. Grosse bride à ressort
B. Tuyau d'évacuation
C. Entrée du broyeur à déchets
D. Siphon du circuit d'évacuation

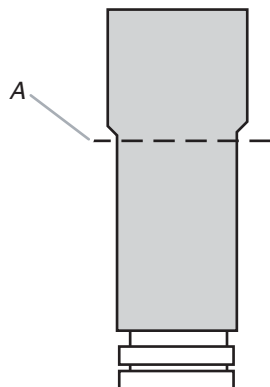
3. Insérer le tuyau d'évacuation à travers le trou découpé dans le placard et acheminer le tuyau jusqu'à l'emplacement de raccordement au lave-vaisselle.



A. Tuyau d'évacuation

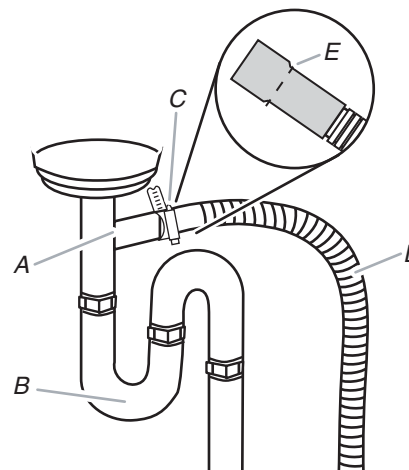
Option 4 : Sans broyeur à déchets - sans brise-siphon

1. Si nécessaire, couper l'extrémité du tuyau d'évacuation (ne pas couper dans la section ondulée).



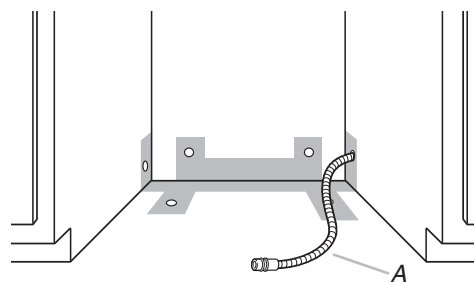
A. Tuyau d'évacuation (couper ici si nécessaire)

2. Connecter le tuyau d'évacuation sur le raccord en T du circuit d'évacuation avec une bride à vis** de 1½" à 2" (3,8 à 5 cm). Ce raccordement doit être réalisé en amont du siphon du circuit d'évacuation et à au moins 50,8 cm (20") au-dessus du plancher de l'espace d'installation du lave-vaisselle. On recommande de lover le tuyau d'évacuation et de le fixer solidement sur la face inférieure du plan de travail.



A. Raccord en T du circuit d'évacuation
B. Siphon du circuit d'évacuation
C. Bride à vis
D. Tuyau d'évacuation
E. Tuyau d'évacuation (couper ici si nécessaire)

3. Insérer le tuyau d'évacuation à travers le trou découpé dans le placard et acheminer le tuyau jusqu'à l'emplacement de raccordement au lave-vaisselle.



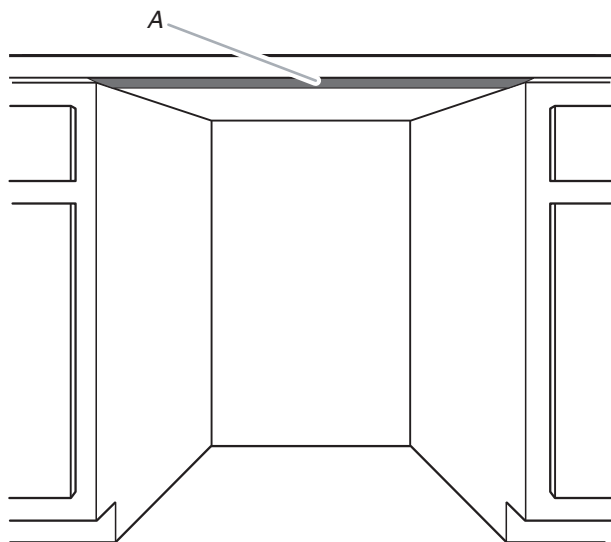
A. Tuyau d'évacuation

**Pièces disponibles dans un magasin local de fournitures de plomberie.

Installation de la barrière anti-humidité (sur certains modèles)

1. Veiller à ce que la zone se trouvant sous le placard soit propre et sèche avant d'installer la barrière anti-humidité.

2. Ôter la protection de la barrière anti-humidité et appliquer la barrière sur le dessous du plan de travail, le long du rebord avant de celui-ci.



A. Barrière anti-humidité

Préparation du lave-vaisselle

⚠ AVERTISSEMENT



Risque de basculement

Ne pas utiliser le lave-vaisselle jusqu'à ce qu'il soit complètement installé.

Ne pas appuyer sur la porte ouverte.

Le non-respect de ces instructions peut causer des blessures graves ou des coupures.

⚠ AVERTISSEMENT

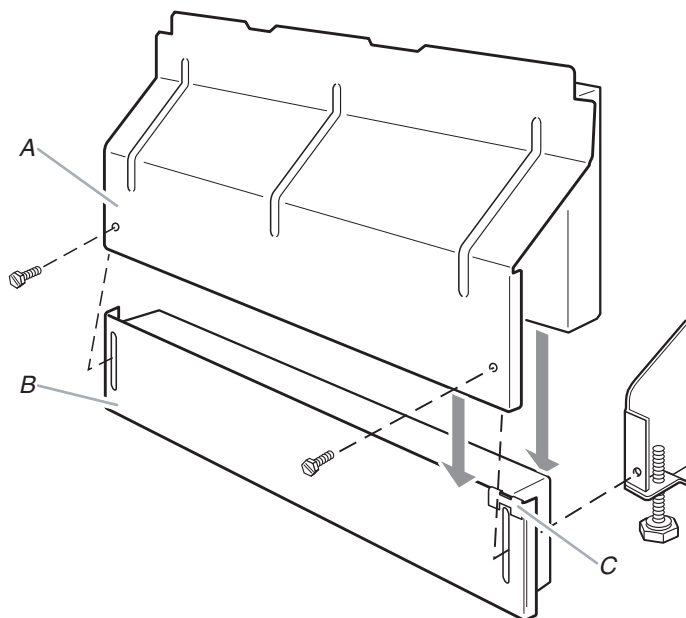
Risque du poids excessif

Utiliser deux personnes ou plus pour déplacer et installer le lave-vaisselle.

Le non-respect de cette instruction peut causer une blessure au dos ou d'autre blessure.

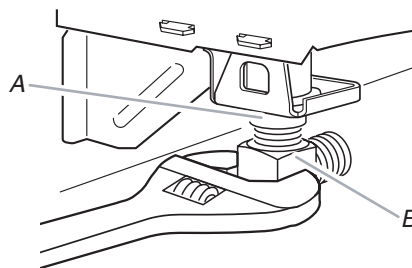
1. Placer les cornières du carton d'emballage derrière le lave-vaisselle. Saisir les côtés du châssis du lave-vaisselle et placer le lave-vaisselle sur le dos, en le faisant reposer sur les cornières.

2. Ôter les deux vis fixant le panneau d'accès et le panneau inférieur sur le lave-vaisselle à l'aide d'une clé à douille de 1/4", un tourne-écrou ou un tournevis Phillips.



A. Panneau d'accès
B. Panneau inférieur
C. Attache de liaison à la terre

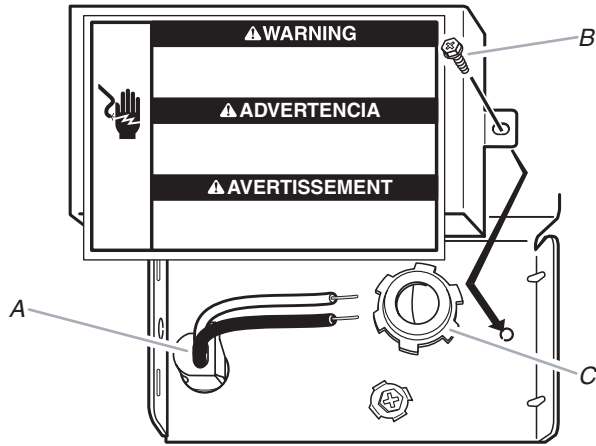
3. Retirer les panneaux et les mettre de côté sur une surface protégée.
4. Vérifier que l'agrafe de liaison à la terre est fixée sur le panneau inférieur.
5. Garnir le filetage du raccord 90° de ruban de Téflon® ou de composé d'étanchéité pour tuyauteries et connecter le raccord sur l'électrovanne d'admission d'eau.
6. Serrer le coude sans forcer; veiller à orienter la sortie du raccord vers l'arrière.



A. Electrovanne d'admission d'eau
B. Coude

7. Ôter le couvercle de la boîte de connexion.
 - Dans le cas d'un câblage direct : installer un serre-câble (homologation UL ou CSA) sur le boîtier de connexion. Dans le cas de l'utilisation d'un conduit, installer un connecteur de conduit (homologation UL ou CSA).

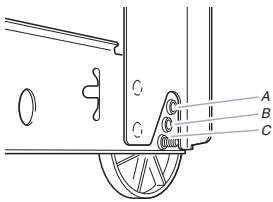
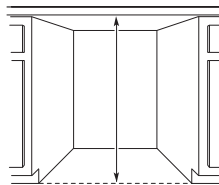
- Si l'on installe un cordon d'alimentation, l'installer maintenant, conformément aux instructions fournies avec l'ensemble.



A. Conducteurs du lave-vaisselle
B. Couverture de la boîte de connexion
C. Connecteur de câblage

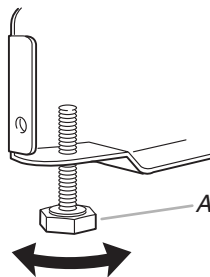
Conseil utile : Conserver une feuille de carton sous le lave-vaisselle jusqu'à son installation dans l'espace d'installation entre les placards. La feuille de carton protégera le plancher durant l'installation.

8. Mesurer la hauteur libre de l'espace d'installation, sous le plan de travail (au niveau du point le plus bas). Consulter le tableau ci-dessous pour cette hauteur d'ouverture. Placer les roues de l'appareil à la position appropriée.



Hauteur libre minimale	Position des roues	Nombre de tours appliqués au pied avant
34" (86,4 cm)	A	10
34 1/4" (87 cm)	B	5
34 1/2" (87,6 cm)	C	0

9. Ajuster les pieds de réglage de l'aplomb à l'avant (même hauteur).

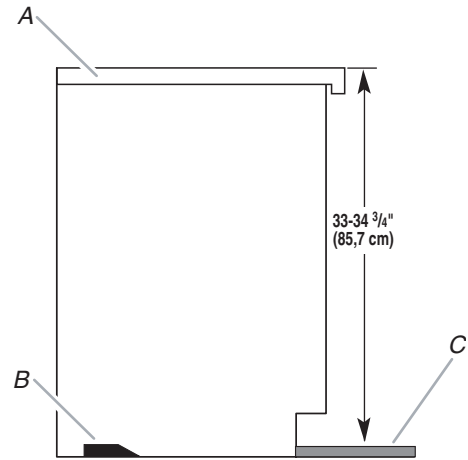


A. Jambe avant

Si la hauteur libre minimale de l'ouverture est inférieure à 34" (86,4 cm), on peut enlever les roues arrière pour libérer davantage d'espace. On pourra ainsi installer le lave-vaisselle dans une ouverture élevée de 33 3/8" (86 cm); il sera cependant plus difficile de placer le lave-vaisselle à sa position finale. Si on enlève les roues, on doit veiller à protéger le plancher lors des déplacements du lave-vaisselle.

Plancher rehaussé

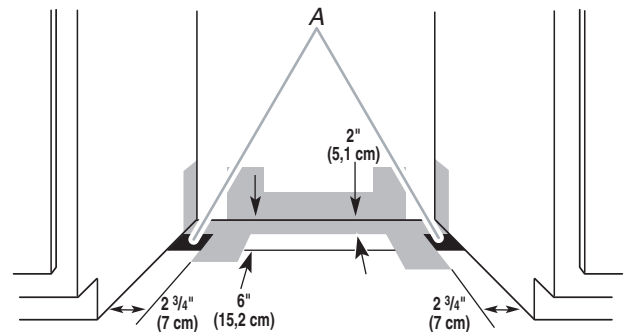
1. Mesurer la hauteur libre sous le plan de travail au-dessus de l'espace d'installation (entre la face inférieure du plan de travail, et le matériau superficiel du plancher). Si la hauteur libre est de 33 3/4" (85,7 cm) ou plus, on pourra insérer le lave-vaisselle dans l'espace d'installation sans modification du plan de travail ou du plancher.



A. Plan de travail
B. Cale
C. Plancher surélevé

2. Placer les roues à la position 1 et visser (enfoncer) complètement les pieds de réglage de l'aplomb vers le haut.
3. Ajouter des cales selon le besoin dans la zone indiquée pour placer le lave-vaisselle à la hauteur appropriée.

REMARQUE : S'assurer que les cales sont solidement fixées au plancher de façon à ce que le lave-vaisselle ne se déplace pas pendant son fonctionnement.



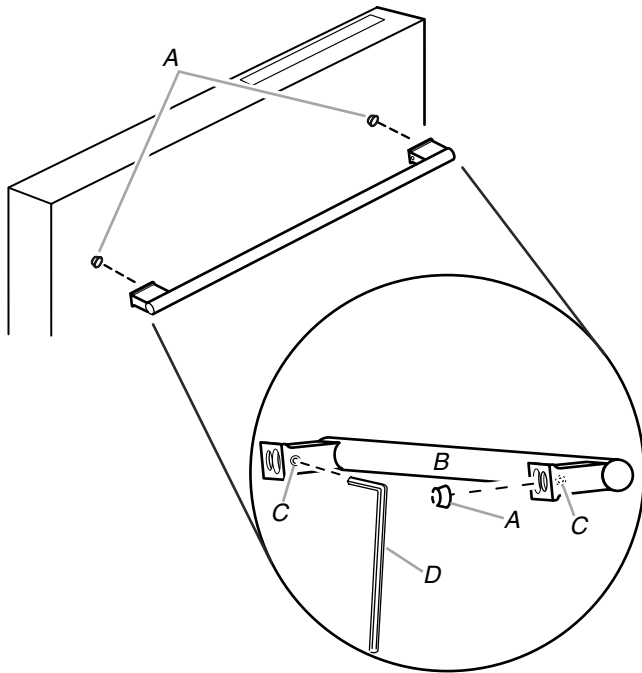
A. Cales

Installation de la poignée de porte

IMPORTANT : Ne pas érafler le panneau avant au cours de ce processus.

1. Ôter la poignée de porte ainsi que le sachet de pièces de montage contenant les vis de blocage et la clé Allen de la boîte en carton.
2. Insérer les vis de blocage dans la poignée.
3. Placer la poignée dans les poteaux de montage avec les vis de blocage orientées vers le bas.

4. Appuyer sur la poignée de porte jusqu'à ce qu'elle soit bien contre la porte. Insérer l'extrémité courte de la clé Allen dans les vis de blocage. Resserrer les vis de blocage d'un ¼ de tour, jusqu'à ce qu'elles soient bien serrées. Conserver la clé Allen avec les instructions d'installation.

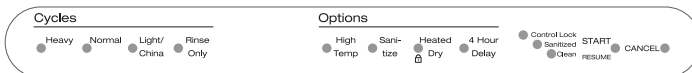


A. Bride de montage
B. Poignée de porte
C. Vis de blocage (à l'intérieur du support de la poignée de porte)
D. Clé Allen

Dimensions du panneau personnalisé

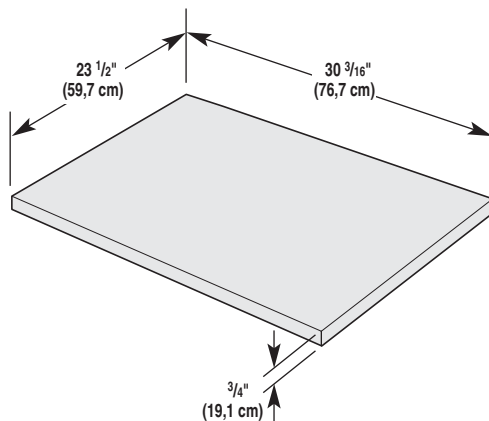
IMPORTANT : Il faut savoir quel tableau de commande se trouve sur le lave-vaisselle avant de commander un panneau de porte personnalisé.

Pour un lave-vaisselle avec le panneau de commande illustré ci-dessous : (Modèle IUD9500VXO)



(Votre modèle peut être légèrement différent du modèle illustré ci-dessus).

Dimensions du panneau de porte personnalisé



*Cette dimension correspond à un coup-de-pied de 4" (10,2 cm). S'il est nécessaire d'installer un coup-de-pied plus grand, ajuster la hauteur du panneau de bois en conséquence. Il n'est pas recommandé d'installer un coup-de-pied d'une taille supérieure à 6" (15,2 cm).

Installation de panneau personnalisé

Pour modèle IUD9500VXO

REMARQUE : La poignée pour le panneau personnalisé n'est pas comprise.

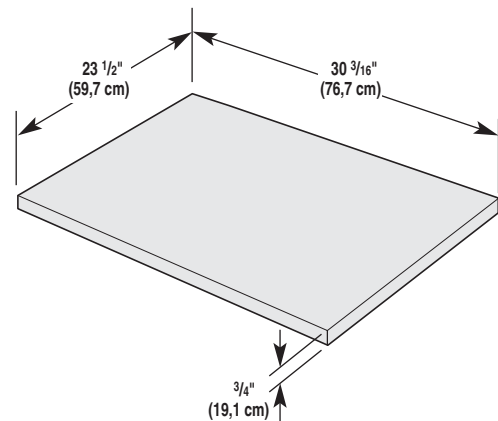
IMPORTANT : Si la poignée est fixée au dos du panneau personnalisé, les trous de vis doivent être fraisés pour que les têtes de vis soient en affleurement avec le panneau. Si la poignée est fixée à l'avant du panneau personnalisé, la longueur des vis ne doit pas dépasser l'épaisseur du panneau.

REMARQUES :

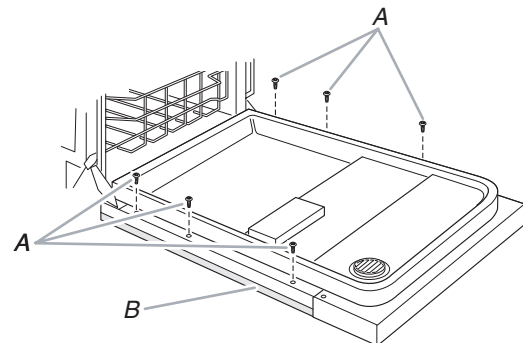
- Un panneau avant acheté par le client ne doit pas peser plus de 16 livres (7,3 kg) et doit être taillé à des dimensions précises. Il est recommandé que la coupe du panneau personnalisé soit réalisée par un fabricant de placard en raison des dimensions spécifiques requises.
- Tous le matériel de montage fourni convient à un panneau de bois de ¾" (19,1 mm) d'épaisseur. Si l'on utilise un panneau de bois plus mince ou d'autres matériaux que le bois, il incombe au consommateur d'obtenir les vis de taille adéquate et d'ajuster les avant-trous en fonction.

IMPORTANT : Utiliser un composant d'étanchéité résistant à l'humidité sur les faces et les rives du panneau, pour la protection contre l'humidité.

1. À l'aide d'un tournevis TORX®, ôter trois vis de chaque côté, tel qu'illustré; tenir le panneau externe soulevé pendant que l'on ôte les vis. Mettre les vis de côté pour la réinstallation.



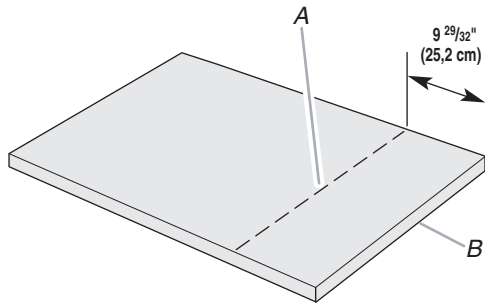
*Cette dimension est pour une bride de support de 4" (10,2 cm). If the installation needs a higher toe-kick, adjust the height of the wood panel accordingly. Not recommended for toe-kicks greater than 6" (15,2 cm).



A. Vis
B. Panneau externe

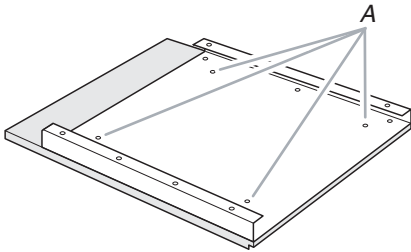
2. Mettre doucement le panneau externe de côté.
3. Placer le panneau personnalisé acheté par le client orienté vers le bas sur une surface couverte et lisse.

4. Mesurer une distance de $9\frac{23}{32}$ " (25,2 cm) à partir de la rive supérieure et tracer une ligne au dos du panneau personnalisé acheté par le client.



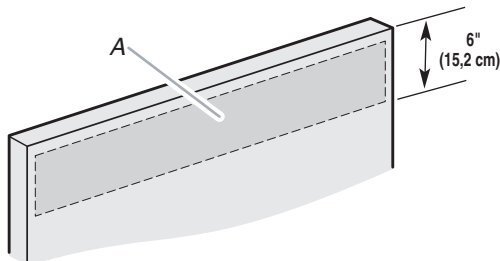
A. Marquage de l'axe
B. Rive supérieure

5. Positionner le panneau externe sur l'arrière du panneau personnalisé acheté par le client tel qu'illustré, de façon à ce que les trous supérieurs dans le panneau externe se trouvent sur la ligne et que les deux panneaux soit centrés côte à côte.
6. Indiquer l'emplacement des quatre trous; ôter le panneau externe. Percer des avant-trous de $\frac{3}{32}$ " jusqu'à $\frac{1}{2}$ " (13 mm) de profondeur dans le panneau personnalisé acheté par le client.



A. Marquage des avant-trous

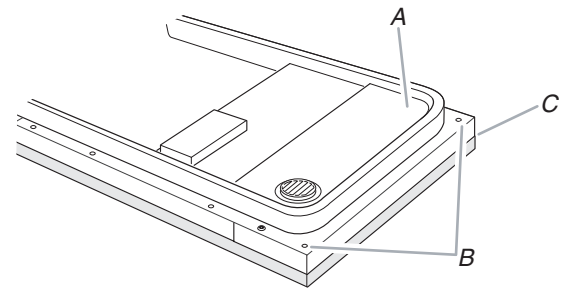
7. Placer le panneau externe sur l'arrière du panneau personnalisé acheté par le client. Aligner les trous.
8. Fixer le panneau externe sur l'arrière du panneau personnalisé acheté par le client à l'aide des quatre vis à tête hexagonale n°10-16 x $\frac{3}{8}$ " fournies avec le sachet contenant la documentation.
9. Fixer la poignée. La poignée doit être centrée à l'avant du panneau personnalisé acheté par le client dans la zone illustrée.



A. Emplacement de la poignée

10. Fixer le panneau à la porte en réinstallant les trois vis de chaque côté; ne pas serrer complètement. Ceci maintient le panneau dans le cadre de la porte.
11. Aligner la rive supérieure du panneau personnalisé acheté par le client avec le dessus du tableau de commande.
12. Percer deux avant-trous de $\frac{3}{32}$ " jusqu'à $\frac{1}{2}$ " (13 mm) de profondeur dans un panneau personnalisé acheté par le

client, dans les trous situés dans les angles supérieurs du panneau interne, tel qu'illustré.



A. Panneau interne
B. Aligner les rives supérieures
C. Percer dans ces trous

13. Installer les deux vis n°8-18 x $1\frac{1}{8}$ " du sachet de documentation dans les angles supérieurs du panneau interne.
14. Serrer les 6 vis latérales réinstallées à l'étape 10.

Choose l'option d'attachement

AVERTISSEMENT

Risque du poids excessif

Utiliser deux personnes ou plus pour déplacer et installer le lave-vaisselle.

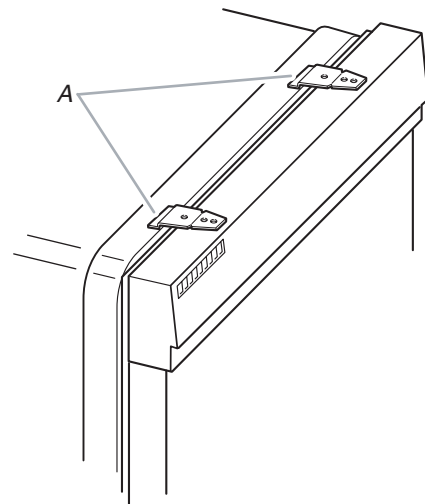
Le non-respect de cette instruction peut causer une blessure au dos ou d'autre blessure.

Remettre le lave-vaisselle en position verticale à l'aide d'au moins deux personnes.

Option 1: Plan de travail

Le lave-vaisselle doit être fixé au placard. Deux brides de fixation sont situées sur la partie supérieure du lave-vaisselle et peuvent être fixées au plan de travail si celui-ci est fait de bois, de revêtement stratifié ou de tout autre matériau de surface similaire. Si votre plan de travail est en marbre, en granit ou autre surface dure, les brides peuvent être déplacées vers les côtés du lave-vaisselle.

REMARQUE : Ne pas fixer le lave-vaisselle. Ceci sera fait plus tard.

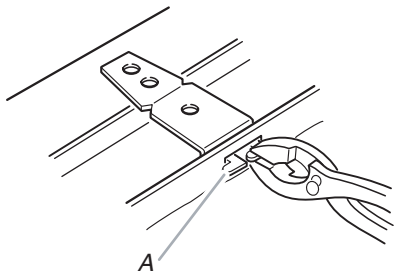


A. Brides

Option 2 : Fixation latérale du lave-vaisselle

(pour les plans de travail en marbre, en granit ou autre surface dure)

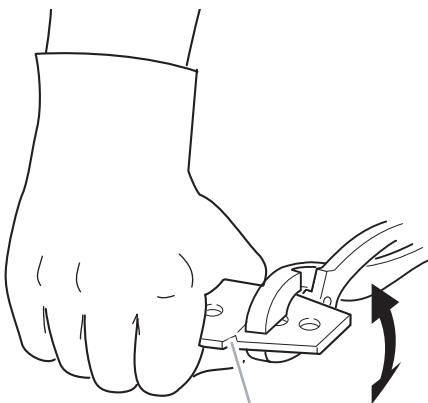
1. Retirer les brides de la partie supérieure en aplanissant les onglets à l'arrière des brides avec une pince, et en retirant les brides des fentes.



A

A. Onglets

2. Enlever l'extrémité de la bride en cassant celle-ci le long de la rainure.



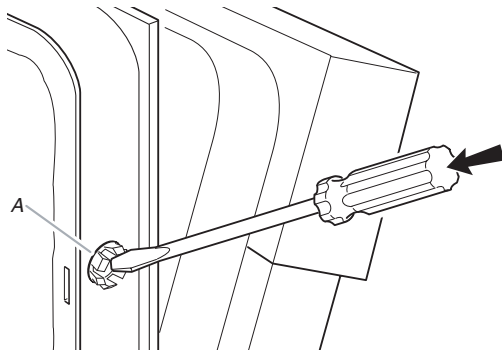
A

A. Rainure

3. Avec l'aide d'une autre personne tenant l'arrière du lave-vaisselle pour l'empêcher de basculer, ouvrir la porte du lave-vaisselle et placer une serviette sur la pompe et le bras d'aspersion du lave-vaisselle. Ceci permettra d'empêcher les vis de tomber dans la zone de la pompe lors de la fixation du lave-vaisselle au placard.

4. Appuyer sur les boutons en plastique pour les extraire du côté de la cuve.

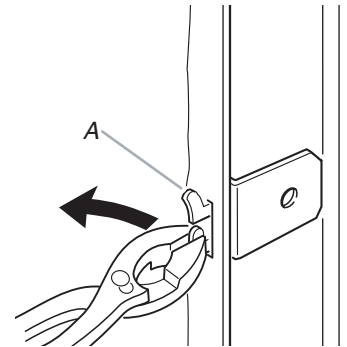
REMARQUE : Mettre les boutons de côté pour recouvrir les trous une fois le lave-vaisselle installé.



A. Bouton en plastique

5. Pousser la bride dans la fente sur le côté du lave-vaisselle, et rabattre l'onglet sur le côté du lave-vaisselle afin de maintenir la bride en place. Répéter cette étape pour l'autre côté du lave-vaisselle.

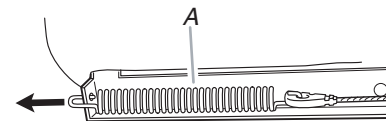
REMARQUE : Ne pas fixer le lave-vaisselle. Ceci sera fait plus tard.



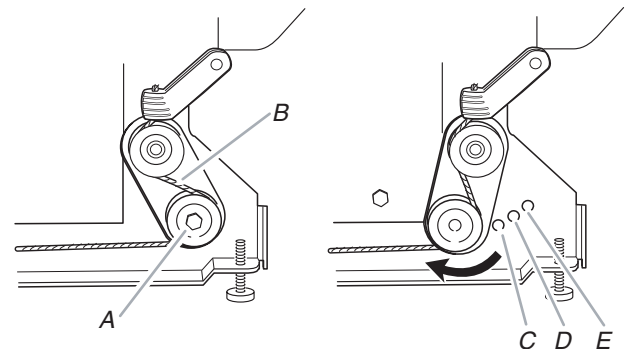
A. Rabattre les onglets

Contrôle de la tension du ressort de la porte

1. Alors qu'une autre personne retient l'appareil pour l'empêcher de basculer, ouvrir et refermer la porte plusieurs fois. Si la porte peut se fermer ou s'ouvrir sous l'effet de son propre poids, il est nécessaire d'ajuster la tension des ressorts.
2. Pour régler la tension du ressort, ôter le ressort du pied arrière du lave-vaisselle.
3. À l'aide d'un tourne-écrou ou d'une clé à douille de $\frac{5}{16}$ " , ôter la vis du tendeur.
4. La vis peut être placée dans l'un des trois trous C, D ou E dans le pied avant du lave-vaisselle. Si la porte se ferme toute seule, déplacer le tendeur vers un trou de chiffre supérieur et replacer la vis. Lorsque la porte est déverrouillée, si elle s'ouvre toute seule, déplacer le tendeur vers un trou de chiffre inférieur et replacer la vis.
5. Réattacher le ressort de porte au pied arrière. Les tendeurs de chaque côté du lave-vaisselle doivent être fixés aux mêmes trous.



A. Ressort



A. Vis

B. Tendeur

C. Emplacement du premier trou (réglage le plus bas)

D. Emplacement du second trou (réglage moyen)

E. Emplacement du troisième trou (réglage le plus élevé)

Déplacer le lave-vaisselle jusqu'à son emplacement final

AVERTISSEMENT

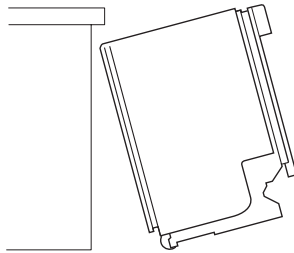
Risque du poids excessif

Utiliser deux personnes ou plus pour déplacer et installer le lave-vaisselle.

Le non-respect de cette instruction peut causer une blessure au dos ou d'autre blessure.

1. Saisir les côtés du lave-vaisselle, par les bords du panneau de porte.
2. Incliner le lave-vaisselle vers l'arrière sur ses roues et approcher l'appareil de l'ouverture. Ne pas pousser sur l'avant du panneau ou sur la console – ceci pourrait faire subir des dommages à l'appareil.
3. Si le lave-vaisselle est alimenté par un cordon d'alimentation, insérer le cordon d'alimentation dans le trou découpé dans le placard. Dans le cas d'un câblage direct, vérifier que le câble d'alimentation est sur le côté avant droit de l'espace d'installation.
4. Vérifier que la canalisation d'eau est sur le côté gauche de l'espace d'installation et que le tuyau d'évacuation est près du centre du trou percé dans le placard.

5. Insérer lentement et complètement le lave-vaisselle dans l'espace d'installation entre les placards. Ne pas déformer ou coincer le tube de cuivre, le tuyau d'évacuation, le cordon d'alimentation ou le câble de raccordement direct entre le lave-vaisselle et le placard.



Conseil utile : Lorsque le lave-vaisselle est à sa position de service, il peut être nécessaire de soutenir l'avant en soulevant, abaissant ou calant les pieds avant.

6. Enlever la feuille de carton placée sous le lave-vaisselle pour la protection du plancher.

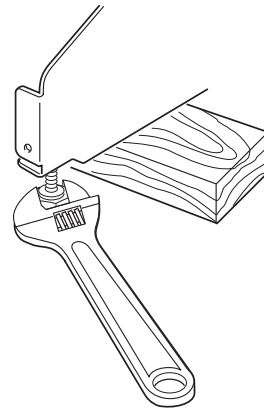
REMARQUE : Il n'y a pas d'objection à ce qu'il n'y ait que peu d'espace entre le lave-vaisselle et les placards. Ne pas enlever le garnissage d'insonorisation.

Établissement de l'aplomb du lave-vaisselle

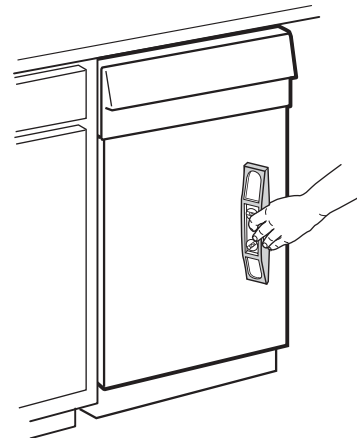
1. Aligner l'avant du panneau de porte du lave-vaisselle avec les portes des placards. Cela pourrait nécessiter un léger déplacement du lave-vaisselle.

Conseil utile : Durant le réglage de la hauteur des pieds avant, soulever un côté du châssis du lave-vaisselle pour séparer le pied du plancher.

2. Vérifier que chaque pied de nivellement est fermement en appui sur le sol.



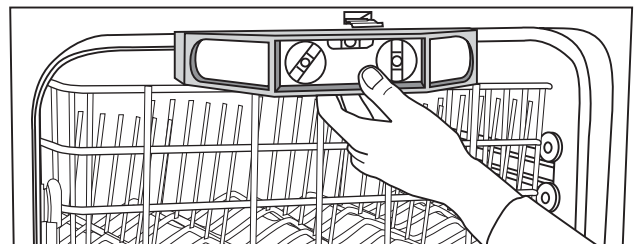
3. Fermer et verrouiller la porte; placer un niveau contre le panneau avant. Vérifier l'aplomb du lave-vaisselle. Si nécessaire, ajuster la hauteur du pied de nivellement ou ajouter des cales sous la roue arrière pour établir l'aplomb correct du lave-vaisselle.



4. Répéter ces opérations pour l'autre côté du lave-vaisselle.

REMARQUE : S'assurer que les cales sont solidement fixées au plancher. Ceci maintiendra les cales en place lors du fonctionnement du lave-vaisselle.

5. Placer le niveau contre la partie supérieure de la cuve, à l'avant. Vérifier l'aplomb transversal de l'appareil. Si le lave-vaisselle n'est pas d'aplomb, ajuster la hauteur des pieds réglables avant pour établir l'aplomb.



Raccordement électrique

Voir la section "Spécifications électriques".

On doit disposer :

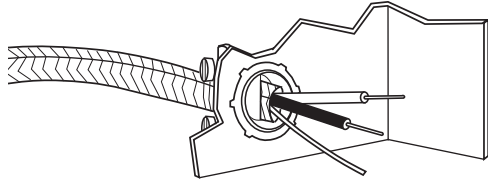
- d'une source d'électricité appropriée et d'une liaison à la terre correspondant aux recommandations.

Il existe deux cas de figure :

- pour le câblage direct, utiliser l'option 1.
- pour l'alimentation par un cordon d'alimentation, utiliser l'option 2.

Option 1 : Câblage direct

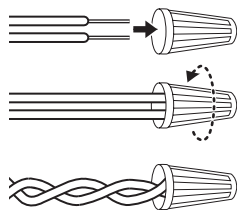
1. Acheminer le câble d'alimentation direct de telle manière qu'il ne touche pas le moteur du lave-vaisselle ni la partie inférieure de la cuve du lave-vaisselle.



2. Insérer les conducteurs du câble dans la boîte de connexion, à travers le trou.

Conseil utile :

- Sélectionner des connecteurs de fils de taille appropriée pour le raccordement des conducteurs de l'appareil (calibre 16) au câblage de la maison.
- Insérer les extrémités des conducteurs dans le connecteur. Ne pas pré-torsader les conducteurs nus.
- Visser le connecteur.
- Tirer doucement sur les conducteurs pour vérifier la solidité de la connexion.



3. Utiliser des connecteurs de fils de taille appropriée pour le raccordement des conducteurs de l'appareil (calibre 16) au câblage de la maison et réaliser les raccordements comme suit :

Câblage de l'alimentation électrique :		Câblage de la boîte de connexion :
blanc	↔	blanc
noir	↔	noir
Conducteur de liaison à la terre	↔	Conducteur de liaison à la terre

⚠ AVERTISSEMENT



Risque de choc électrique

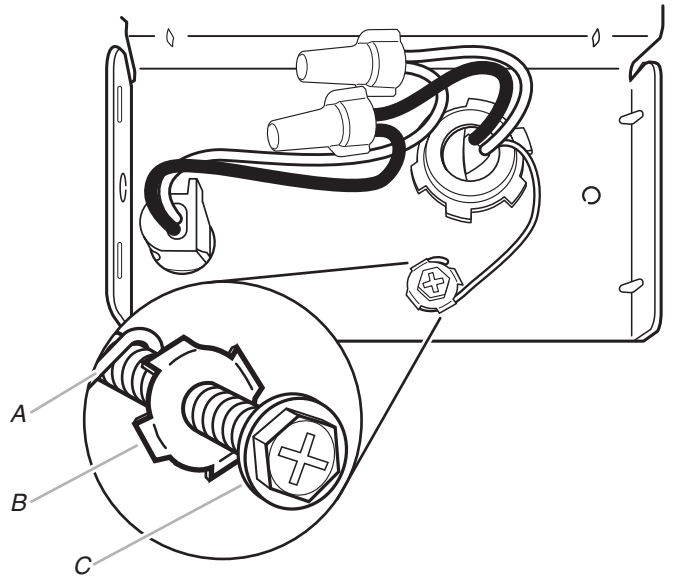
Relier le lave-vaisselle à la terre d'une méthode électrique.

Brancher le fil relié à la terre au connecteur vert relié à la terre dans la boîte de la borne.

Ne pas utiliser un câble de rallonge.

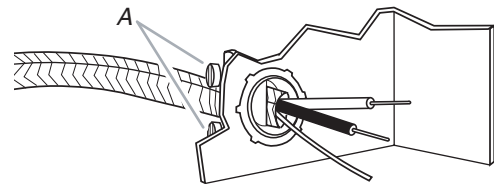
Le non-respect de ces instructions peut causer un décès, un incendie ou un choc électrique.

4. À l'extrémité du conducteur nu de liaison à la terre, former un crochet en U; placer le crochet du conducteur de liaison à la terre (dans le sens horaire) sur la vis de liaison à la terre et sous la rondelle.
5. Serrer fermement la vis de liaison à la terre.



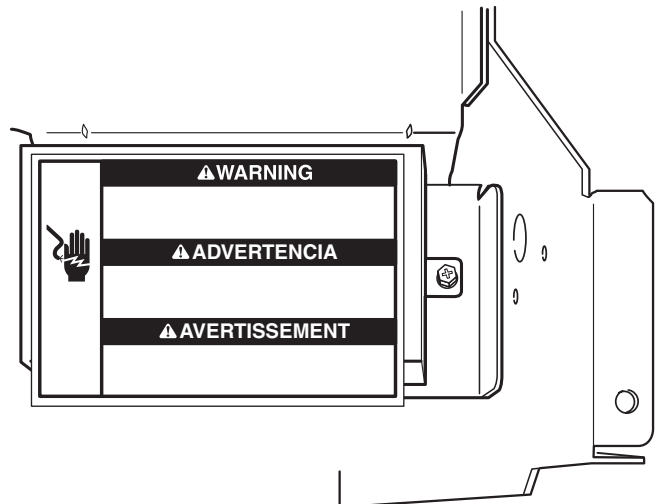
A. Conducteur de liaison à la terre
B. Rondelle
C. Connecteur de liaison à la terre

6. Serrer les vis de bridage du serre-câble ou du connecteur de conduit.



A. Vis

7. Réinstaller le couvercle de la boîte de connexion – enfermer les conducteurs à l'intérieur de la boîte. Le couvercle doit être placé à l'extérieur de la boîte de connexion, sur le côté gauche.



8. Veiller à ne coincer aucun fil avec le couvercle.

Option 2 : Cordon d'alimentation

⚠ AVERTISSEMENT



Risque de choc électrique

Brancher sur une prise à 3 alvéoles reliée à la terre.

Ne pas enlever la broche de liaison à la terre.

Ne pas utiliser un adaptateur.

Ne pas utiliser un câble de rallonge.

Le non-respect de ces instructions peut causer un décès, un incendie ou un choc électrique.

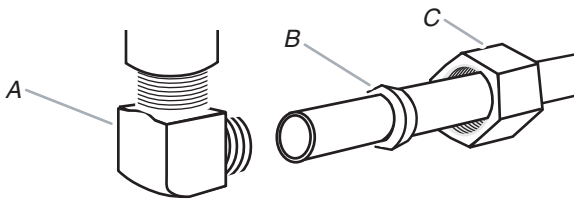
1. Brancher la fiche sur une prise de courant à 3 alvéoles reliée à la terre.
2. Vérifier l'absence de tout contact entre le cordon d'alimentation et le moteur du lave-vaisselle ou la partie inférieure de la cuve du lave-vaisselle.

Raccordement à la canalisation d'eau

Conseil utile :

Raccord à compression :

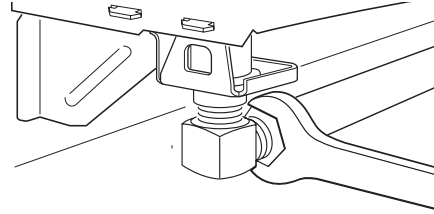
- a) Enfiler l'écrou sur le tube de cuivre, sur environ 1" (2,5 cm).
- b) Enfiler la virole sur le tube. Ne pas positionner la virole à l'extrémité du tube.
- c) Insérer le tube dans le raccord coudé, aussi loin qu'il peut aller.
- d) Faire glisser l'écrou et la virole vers l'avant et visser l'écrou sur le filetage du raccord coudé. Manipuler délicatement le tube de cuivre lors de l'opération de positionnement; il est malléable et il peut facilement se déformer.



A. Raccord coudé
B. Ferrule
C. Écrou

1. Pour réduire les effets de vibration du tuyau durant le fonctionnement, acheminer la canalisation d'alimentation en eau de façon à ce qu'elle ne touche pas la base, le châssis ou le moteur du lave-vaisselle.

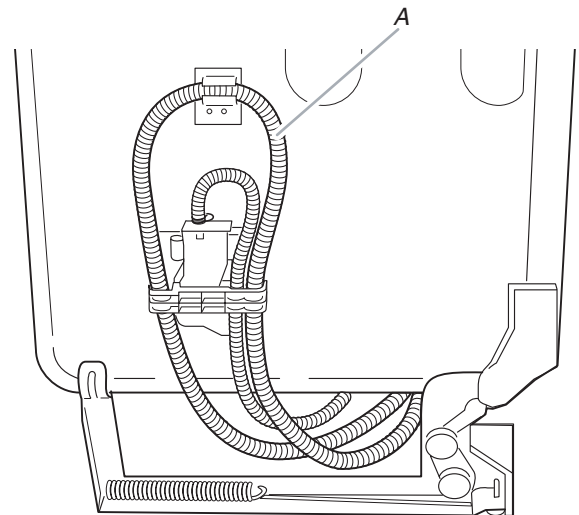
2. Alors que le tube de cuivre a été enfoncé aussi loin que possible dans le raccord à compression, utiliser une clé pour serrer l'écrou de compression sur le raccord coudé installé sur l'électrovanne d'admission d'eau.



3. Placer une serviette de papier sous le raccord coudé. Ouvrir l'arrivée d'eau et inspecter pour identifier toute fuite.

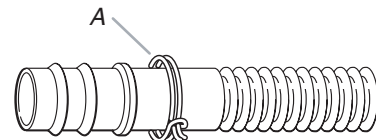
Raccordement à l'évacuation

1. Pour minimiser toute vibration, acheminer le conduit d'évacuation de telle manière qu'il n'y ait aucun contact avec le moteur, les ressorts de la porte, la canalisation d'eau, le placard, le plancher ou la circonférence du trou de passage à travers la paroi du placard.
2. Ne pas détacher du lave-vaisselle la boucle formée par le tuyau d'évacuation sur le côté de l'appareil.



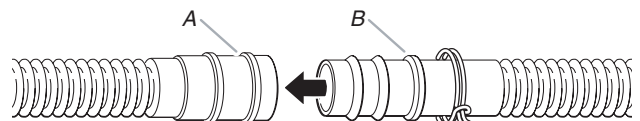
A. Tuyau d'évacuation en boucle

3. Placer un plat sous l'extrémité du tuyau d'évacuation pour y recueillir toute eau qui s'écoulerait du tuyau.
4. Placer la petite bride sur la petite extrémité du tuyau d'évacuation.



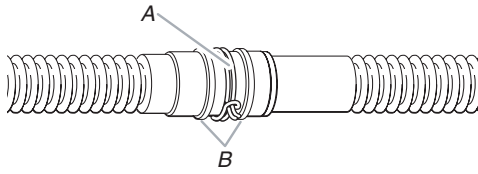
A. Bride de tuyau

5. Enfoncer le tuyau d'évacuation dans le raccord de connexion, jusqu'à la butée du tuyau d'évacuation.



A. Connecteur
B. Butée

6. Avec une pince, ouvrir la bride de serrage et faire glisser la bride sur le raccord de connexion, entre les butées et le connecteur (voir l'illustration).



A. Bride de tuyau
B. Butées

Fixation du lave-vaisselle dans l'espace d'encastrement

AVERTISSEMENT



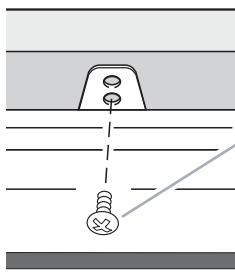
Risque de basculement

Ne pas utiliser le lave-vaisselle jusqu'à ce qu'il soit complètement installé.

Ne pas appuyer sur la porte ouverte.

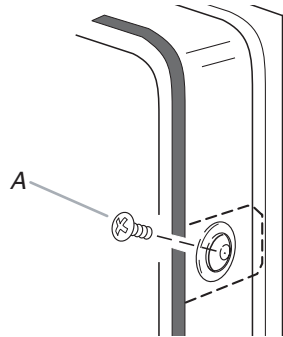
Le non-respect de ces instructions peut causer des blessures graves ou des coupures.

1. Si cela n'a pas déjà été fait, ouvrir la porte du lave-vaisselle et placer une serviette sur la pompe et le bras d'aspersion. Ceci empêchera une vis de tomber dans la zone de la pompe lors de la fixation du lave-vaisselle au plan de travail.
2. Contrôler le bon aplomb du lave-vaisselle et le centrage latéral de l'appareil dans l'ouverture.
3. Fixer le lave-vaisselle au plan de travail ou aux côtés du placard à l'aide de deux vis Philips n°10 x 1/2". Il faut que le lave-vaisselle soit immobilisé pour qu'il ne bascule pas lors de l'ouverture de la porte. Veiller à ne laisser tomber de vis dans le lave-vaisselle.



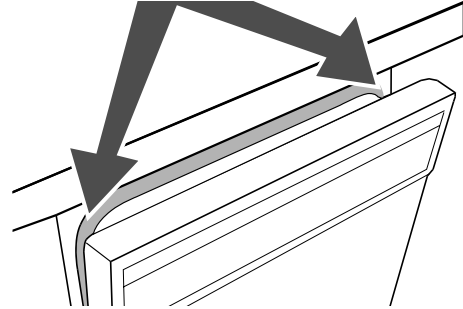
A. Vis pour plan de travail

ou

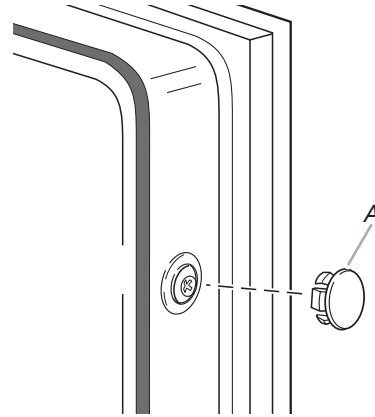


A. Vis pour placard latéral

4. Entrouvrir la porte d'environ 3" (7,6 cm) et vérifier que l'espace entre la doublure interne de la porte et la cuve est identique des deux côtés. Si l'espace n'est pas identique des deux côtés, desserrer les vis des brides d'arrimage et déplacer légèrement la cuve. Resserrer les vis.
5. Si l'on utilise une fixation du plan de travail pour fixer le lave-vaisselle, vérifier que le dessus de la porte n'entre pas en contact avec les vis, les brides ou le plan de travail. S'il y a un contact, on doit abaisser le lave-vaisselle puis établir de nouveau l'aplomb de l'appareil.



6. En cas de fixation latérale, vérifier que les côtés de la porte ne frottent pas contre les têtes de vis. S'il y a un frottement, centrer à nouveau le lave-vaisselle. Lorsque le lave-vaisselle est correctement centré, remettre en place les boutons de plastique.



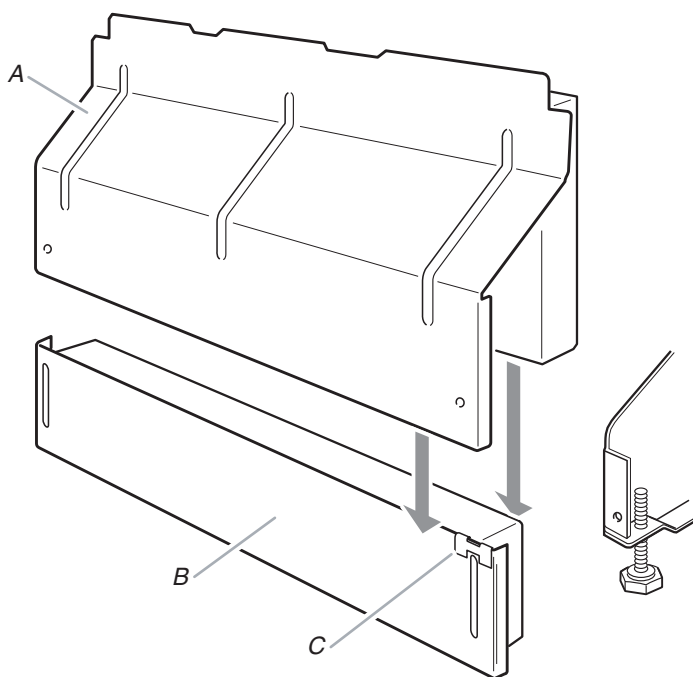
A. Bouton en plastique

7. Retirer la serviette du lave-vaisselle.
8. Réinstaller le panier à vaisselle inférieur.

Achever l'installation

1. Vérifier que l'agrafe de liaison à la terre est fixée au panneau inférieur.
2. Placer le panneau inférieur derrière le panneau d'accès. Sur certains modèles, il y a sur le panneau d'accès un matériau

isolant qui doit être inséré derrière l'isolant du panneau inférieur.



A. Panneau d'accès
B. Panneau inférieur
C. Attache de liaison à la terre

3. Maintenir les deux panneaux ensemble et les appuyer contre le pied de nivellement du lave-vaisselle et la plaque de vinyle.
4. Réinstaller les vis à travers les trous du panneau d'accès et les fentes du panneau inférieur. Installer d'abord la vis du côté droit.
5. Vérifier que le bord inférieur du panneau inférieur est au contact du plancher.
6. Serrer les vis.

Raccordement par câblage direct

⚠ AVERTISSEMENT



Risque de choc électrique

Relier le lave-vaisselle à la terre d'une méthode électrique.

Brancher le fil relié à la terre au connecteur vert relié à la terre dans la boîte de la borne.

Ne pas utiliser un câble de rallonge.

Le non-respect de ces instructions peut causer un décès, un incendie ou un choc électrique.

Méthode avec cordon d'alimentation

⚠ AVERTISSEMENT



Risque de choc électrique

Brancher sur une prise à 3 alvéoles reliée à la terre.

Ne pas enlever la broche de liaison à la terre.

Ne pas utiliser un adaptateur.

Ne pas utiliser un câble de rallonge.

Le non-respect de ces instructions peut causer un décès, un incendie ou un choc électrique.

7. Rebrancher l'appareil ou reconnecter la source de courant électrique.

Contrôle du fonctionnement

1. Lire le manuel d'utilisation et d'entretien fourni avec l'appareil.
2. Vérifier que toutes les pièces ont été installées et qu'aucune étape n'a été omise.
3. Vérifier la présence de tous les outils utilisés.
4. Mettre le lave-vaisselle en marche et commander l'exécution complète du programme de lavage le plus court. Après les deux premières minutes, déverrouiller la porte; attendre 5 secondes, puis ouvrir la porte.
5. Vérifier qu'il y a bien de l'eau au fond de la cuve du lave-vaisselle. Vérifier que le lave-vaisselle fonctionne correctement.
6. Si ce n'est pas le cas, déconnecter la source de courant électrique ou débrancher le lave-vaisselle et voir la section "Si le lave-vaisselle ne fonctionne pas".

Si le lave-vaisselle ne fonctionne pas

Essayer d'abord les solutions suggérées ici pour tenter d'éviter une coûteuse intervention de dépannage.

- Un disjoncteur s'est-il déclenché ou un fusible est-il grillé?
- La porte est-elle bien fermée et enclenchée?
- Le programme a-t-il été correctement sélectionné pour que le démarrage du lave-vaisselle puisse s'effectuer?
- L'arrivée d'eau est-elle ouverte?

Si le lave-vaisselle ne fonctionne toujours pas, composer le 1-800-253-1301.

W10199609A

© 2008.
All rights reserved.
Tous droits réservés.

® IKEA is a registered trademark of Inter-Ikea Systems B.V.
® IKEA est une marque déposée de Inter-Ikea Systems B.V.

10/08
Printed in U.S.A.
Imprimé aux É.-U.