

FRIGIDAIRE

Factory Parts Catalog



Product No.	FAS296T2A0	FAS296T2A1
Series	heavy duty	heavy duty
Color	white	white
Volts	230/208	230/208
BTU-Cooling	28500/28000	28500/28000
Owner's Guide	2020219a0976en	2020219a0976en
Installation Instructions	2020219a0951	2020219a0951
Market	North America	North America

Frigidaire

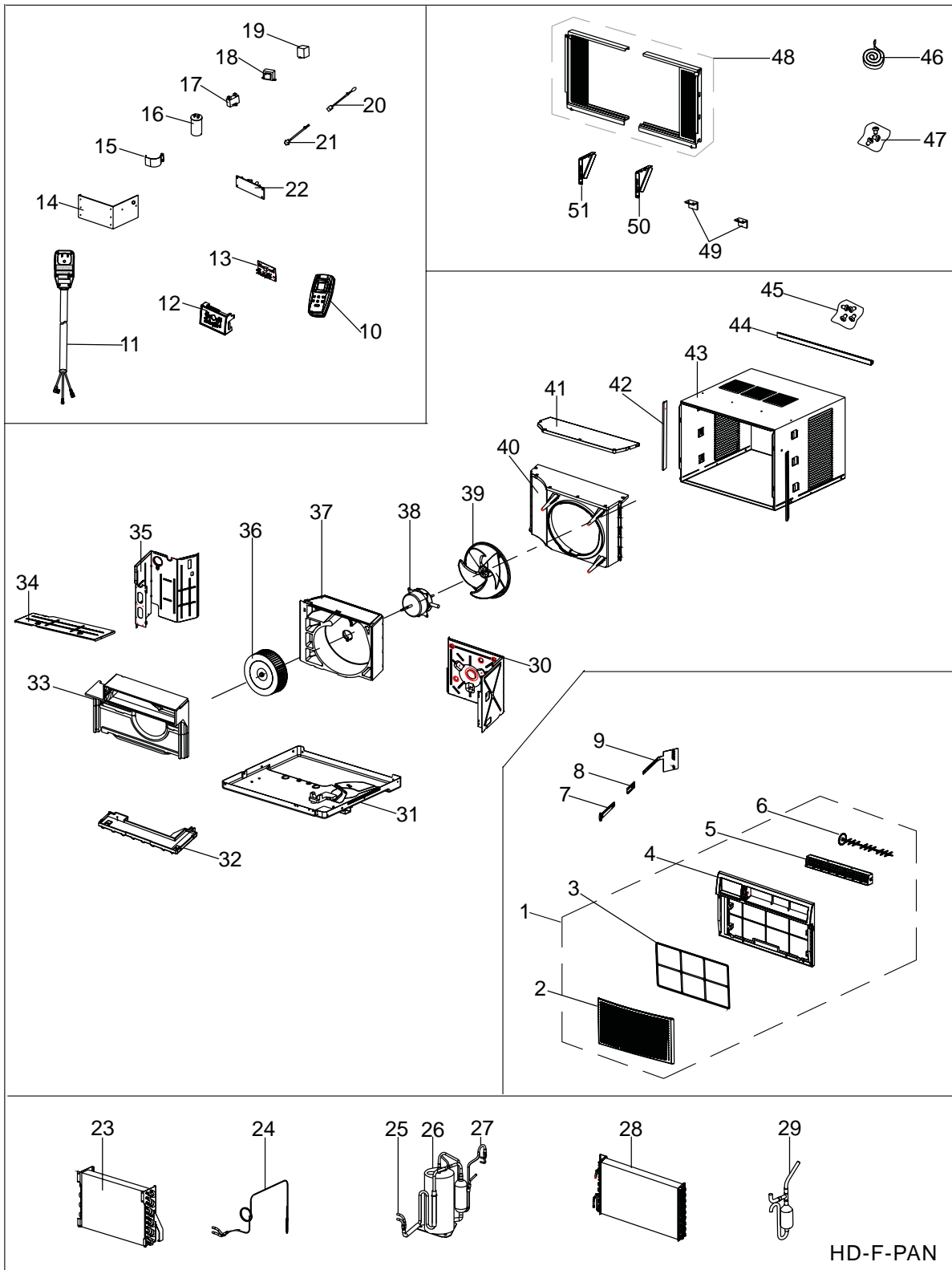
P.O. BOX 212378
AUGUSTA, GA 30917

Publication No.
5995566865
10/05/20
(EN/SERVICE/KC)
099

ROOM AIR CONDITIONER

Model No.
FAS296T2A

RECOMMENDED SPARE PARTS



RECOMMENDED SPARE PARTS

Model Index: A FAS296T2A (FAS296T2A0)
B FAS296T2A (FAS296T2A1)

POS. NO	PART NO.		DESCRIPTION
1 #	5304472318	A B	Front Assembly, complete panel
2	5304472319	A B	Panel, front grille, tilt-out
3 #	5304472320	A B	Filter, air
4	5304472335	A B	Panel, frame, front
5 #	5304472336	A B	Louver, horizontal
6 #	5304472337	A B	Louver, vertical
7 #	5304472347	A B	Handle, vent control
8 #	5304472348	A B	Link, lever/vent door, detente
9 #	5304472349	A B	Door, vent control, with lever
10 #	5304476936	A B	Remote Control, transmitter
11 #	5304476999	A B	Power Cord, LCDI, test/reset
12	5304472437	A B	Control Panel, with overlay
13 #	5304472415	A B	PC Board, display/input
14	5304477191	A B	Control Box
15	5304472399	A B	Strap, capacitor clamp
16 #	5304472621	A B	Capacitor, compressor
17 #	5304472609	A B	Capacitor, fan motor
18 #	5304471063	A B	Transformer
19 #	5304472418	A B	Ionizer, anion generator
20 #	5304471276	A B	Thermistor, temp sensor, indoor
21 #	5304471383	A B	Thermistor, evaporator, sensor
22 #	5304477192	A B	PC Board, main, control/power
23 #	5304477184	A B	Evaporator, with cap tube
24 #	5304477185	A B	Tube, capillary
25 #	5304477186	A B	Tube, suction
26 #	5304477187	A B	Compressor
27 #	5304477198	A B	Tube, discharge
28 #	5304477189	A B	Condenser
29 #	5304476257	A B	Drier-filter
30	5304472351	A B	Bulkhead, partition, front/right
31	5304477194	A B	Base, unit chassis
32	5304472343	A B	Tray, drip pan, foam
33	5304472405	A B	Scroll, blower housing, front
34	5304472352	A B	Cover, blower scroll, front
35	5304472350	A B	Bulkhead, partition, front/left
36 #	5304477190	A B	Blower Wheel, centrifugal fan
37 #	5304472408	A B	Scroll, blower housing, rear
38 #	5304472353	A B	Motor, fan
39 #	5304472356	A B	Fan Blade, axial flow
40	5304472355	A B	Shroud, condenser/fan
41	5304472354	A B	Cover, condenser/fan, rear
42	5304472361	A B	Retainer, shutter, cabinet sides
43	5304477195	A B	Cabinet, wrapper/sleeve
44	5304472363	A B	Rail, shutter track, top angle
45	5304472364	A B	Screw Kit, top rail mount
46	5304472366	A B	Seal Kit, foam, sash & rails
47	5304472365	A B	Hardware, mounting, screws/locks
48	5304472357	A B	Window Filler Kit, slider panel
49	5304472360	A B	Bracket, sill angle
50	5304472359	A B	Bracket, mounting, right, window
51	5304472358	A B	Bracket, mounting, left, window

WIRING DIAGRAM

