

Installation Instructions

**IMPORTANT:
Read and save
these instructions.**

Part No. 1155965 Rev. E

IMPORTANT

Installer: Leave Installation Instructions with the homeowner.

Homeowner: Keep Installation Instructions for future reference.

Save Installation Instructions for local electrical inspector's use.

Air Conditioner

7/93

Before you start...

Proper installation is your responsibility. Make sure you have everything necessary for correct installation. It is the customer's responsibility to comply with the installation specifications provided.

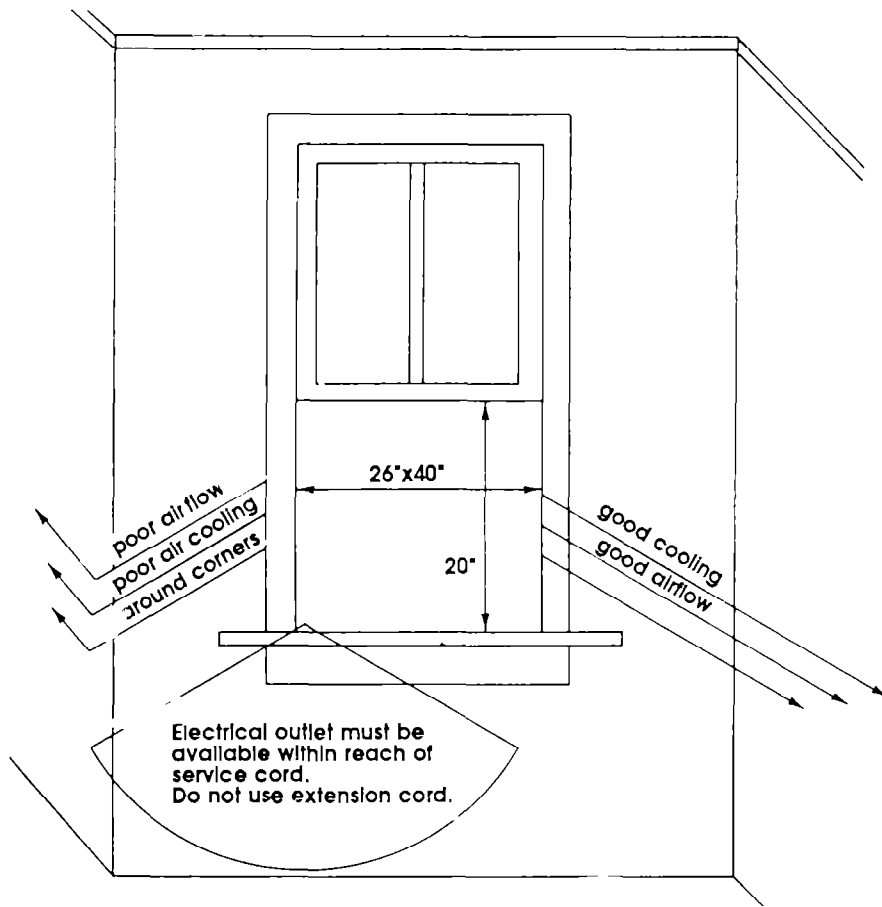
Grounded electrical outlet within reach of the power supply cord is required. See Electrical requirements.

⚠ WARNING
Electrical Shock Hazard
 It is the customer's responsibility:

- To contact a qualified electrical installer.
- To assure that electrical installation is adequate and in conformance with National Electrical Code, ANSI/NFPA 70-latest edition and local codes and ordinances.

Check location where air conditioner will be installed. The location should provide:

- A window large enough,
- Adequate wall support for weight of air conditioner,
- An electrical outlet within reach of service cord,
- Free movement of air to rooms to be cooled.



Important: Observe all governing codes and ordinances.

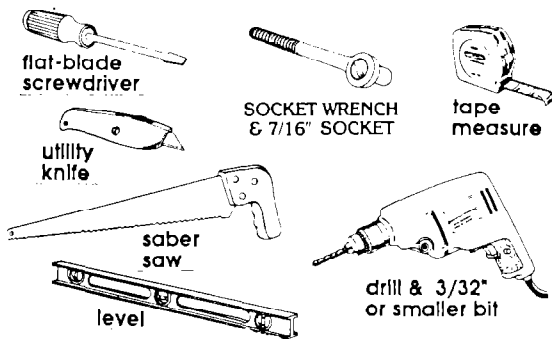
⚠ WARNING

Personal Injury/Product Damage Hazard

- Because of the weight and size of the air conditioner, more than one person is needed to move, lift and safely install it.
- Handle air conditioner with care. Metal fins on front and rear coils are sharp.
- Do Not use the water that collects inside the air conditioner for drinking purposes. It is not sanitary.
- Maintain a firm hold on the air conditioner to prevent it from falling out the window during installation.
- Do Not locate air conditioner where cabinet front is exposed to a heat source that raises the surface temperature above 120°F.

Failure to follow these instructions could result in personal injury or damage to air conditioner.

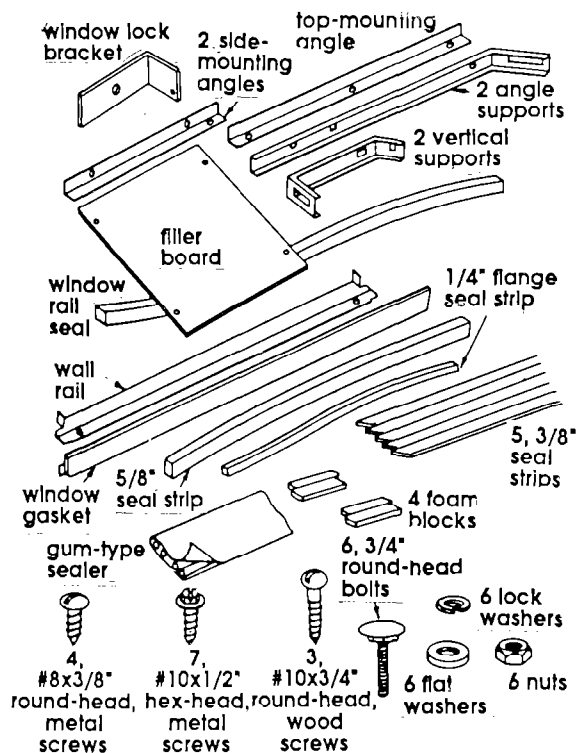
Tools and materials needed for installation:



Through-the-wall installations:

- wood preservative
- 10, #10x1" screws

Parts supplied for installation:



Installation parts are supplied for double-hung windows up to 40 inches wide. Installation up to 54 inches can be made with a special, wide window kit available from your dealer or service center.

Panel A

Electrical requirements

⚠ WARNING

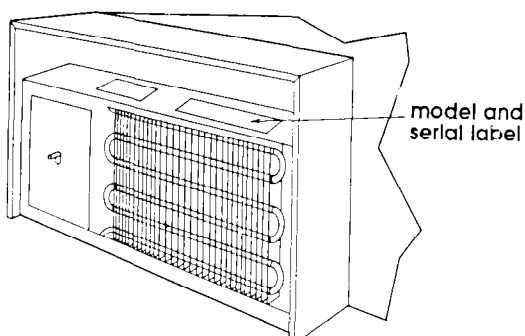
Electrical Shock Hazard

- Electrical ground is required on this appliance.
- Improper connection of the equipment-grounding conductor line can result in electrical shock.
- Check with a qualified electrician if you are in doubt as to whether the appliance is properly grounded. Do Not modify the plug on the power supply cord. If it will not fit the outlet, have a proper outlet installed by a qualified electrician.
- Do Not use an extension cord with this appliance. Such use may result in a fire, electrical shock or other personal injury.
- Do Not have a fuse in the neutral or grounding circuit. A fuse in the neutral or grounding circuit could result in electrical shock.
- Grounding wire must be connected to grounding screw located in lower left corner of air conditioner when air conditioner is in cabinet.

Failure to follow these instructions could result in electrical shock.

A three-wire, single-phase, 60-Hz, AC only, electrical supply is required on a separate circuit. A 20-amp time-delay fuse or circuit breaker is required. Copper wire (#14-gauge) is required.

The model and serial label is located behind the front panel above the coil area.



Specific electrical requirements are listed in the chart. Follow the requirements for the type of plug on the power supply cord.

Wiring requirements

Plug Type A	Plug Type B	Plug Type C
<p>3-prong grounding plug</p> <p>3-prong grounding-type wall receptacle</p> <p>power supply cord</p>	<p>receptacle</p> <p>1/4" blade</p> <p>small tandem blades</p> <p>grounding prong</p>	<p>receptacle</p> <p>flat blade</p> <p>T blade</p> <p>grounding prong</p>
115-volt - 103.5v min., 126.5v max.	230/208 volt - 197.6v min., 253v max.	230/208 volt - 197.6v min., 253v max.
7.5-amp ratings or less - double outlet is acceptable.	12-amp rating or less - use a single outlet and a separate circuit.	16-amp rating or less - use a single outlet and a separate circuit.
7.6 through 12-amp ratings - use only a single outlet and separate circuit.		

Recommended grounding method

Do Not, under any circumstances, remove the power supply cord grounding prong.

For your personal safety, this appliance must be grounded. This appliance is equipped with a power supply cord having a 3-prong grounding plug. To minimize possible shock hazard, the cord must be

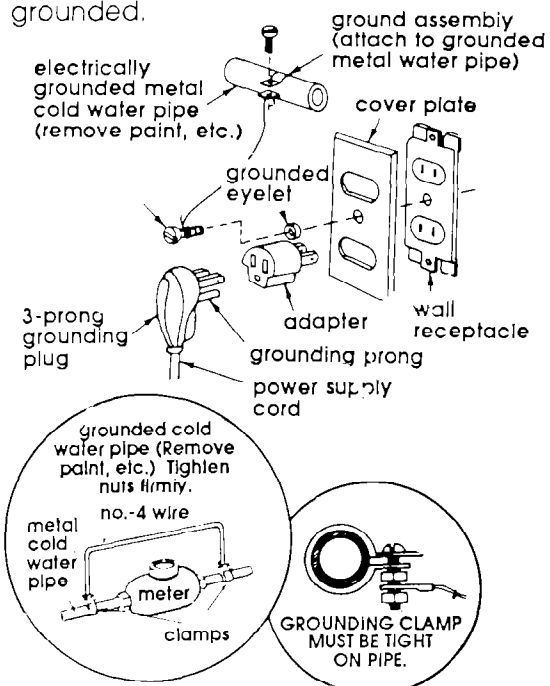
plugged into a mating, 3-prong grounding-type wall receptacle, grounded in accordance with the National Electrical Code, ANSI/NFPA 70-latest edition, and local codes and ordinances. If a mating wall receptacle is not available, it is the personal responsibility and obligation of the customer to have a properly grounded, 3-prong wall receptacle installed by a qualified electrician.

Temporary grounding method

If changing and properly grounding the wall receptacle is impossible and where local codes permit (consult your electrical inspector), a temporary adapter may be plugged into the existing 2-prong wall receptacle to mate with the 3-prong power supply cord.

THIS, HOWEVER, IS NOT RECOMMENDED.

If this is done, you must connect the grounded eyelet on the adapter to the wall receptacle cover-plate screw. From this same screw, you must connect a separate copper grounding wire (#14 minimum) to a grounded cold water pipe.* **Do Not ground to a gas supply pipe or hot water pipe.** Do Not connect this appliance until it is permanently grounded.



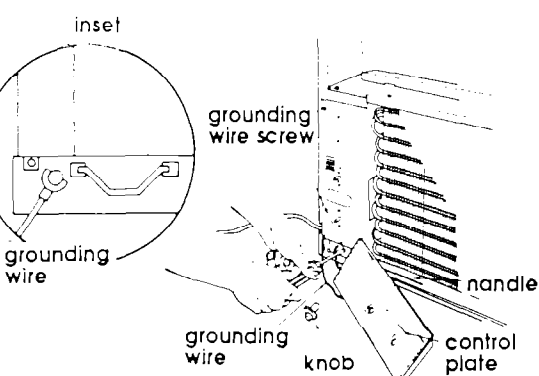
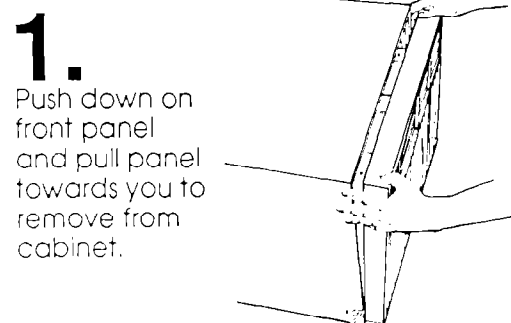
* Grounded, cold water pipe must have metal continuity to electrical ground and not be interrupted by plastic, rubber or other electrical insulating connectors (including water meter or pump). Any electrical insulating connector should be jumped as shown with a length of No.-4 copper wire securely clamped to bare metal at both ends.

Now start...

with air conditioner in room where it will be installed.

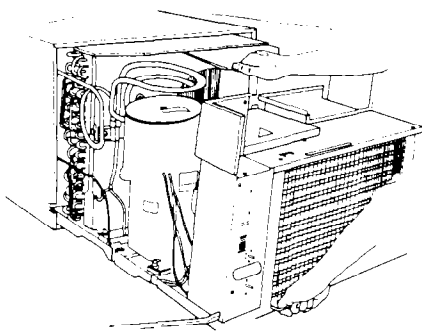
WINDOW INSTALLATION

See Panel C for Through-the-wall installation.

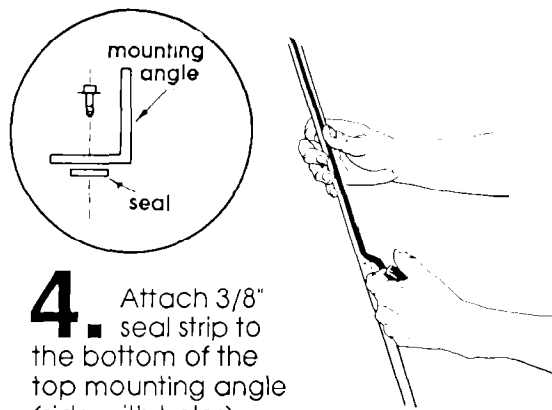


2. Pull control knobs straight off and remove control plate. Loosen but do Not remove the grounding screw. Disconnect grounding wire.

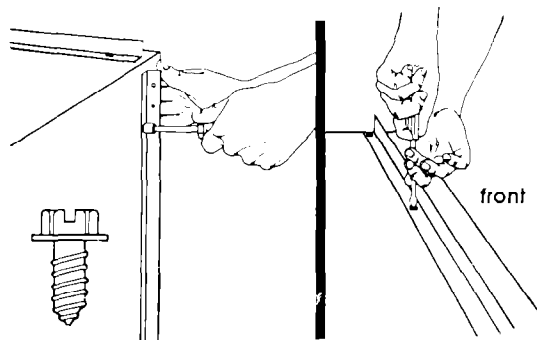
CAUTION
Floor Damage
Remove air conditioner from carton and place on cardboard. Failure to do so may cause damage to floor covering.



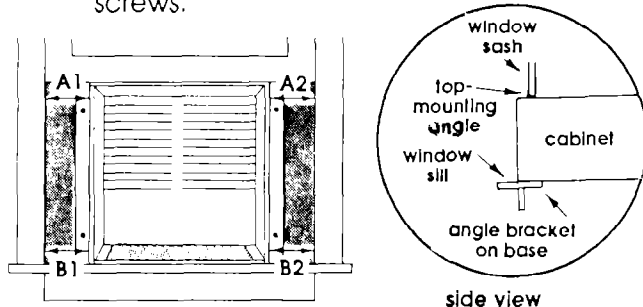
3. Pull out handle; slide air conditioner out of cabinet and place on cardboard.



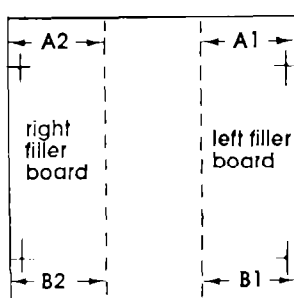
4. Attach 3/8" seal strip to the bottom of the top mounting angle (side with holes). Attach 3/8" seal strip to the bottom of both side mounting angles (side with two holes). Cut strips to length.



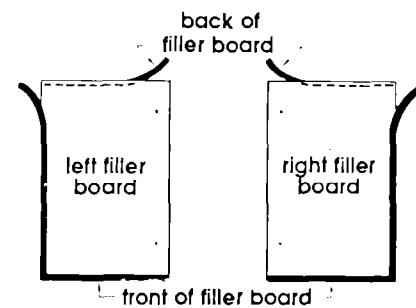
5. Place top-mounting angle on cabinet so upright side is toward the front of air conditioner and seal is against cabinet. Attach top-mounting angle with 3, hex-head, metal screws. Repeat with side-mounting angles, attaching with 2, hex-head metal screws.



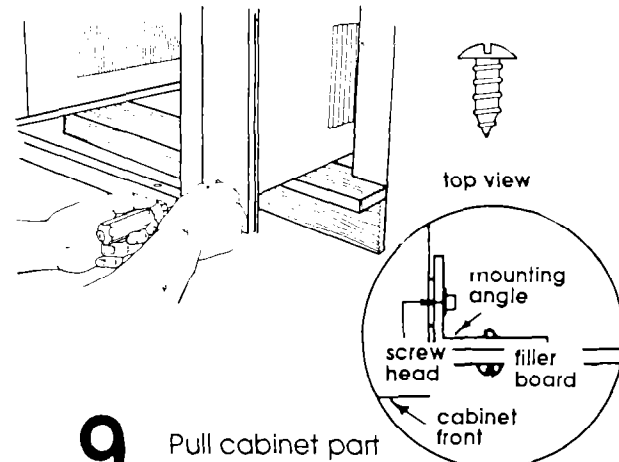
6. Place cabinet in window. Lower sash (window frame) to hold cabinet in place. Measure the distance between the side of the cabinet and inside of the window channel at the top and bottom of the cabinet. Adjust the cabinet until the distance on each side (top and bottom) is the same, so the cabinet is centered in the window. Write down the final measurement.



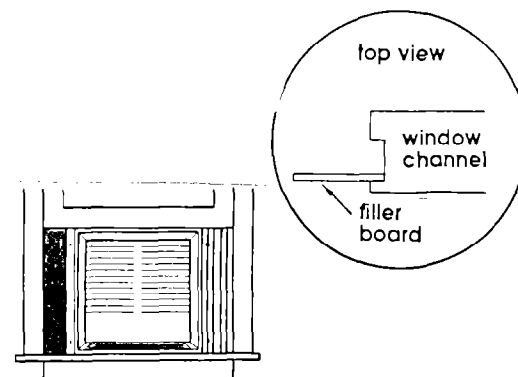
7. Add 1/8" to both open area measurements. Use a saber saw to cut filler boards to fit.



8. Apply 3/8" seal strips to bottom and outside of filler boards. The top seal goes on back side of filler boards.

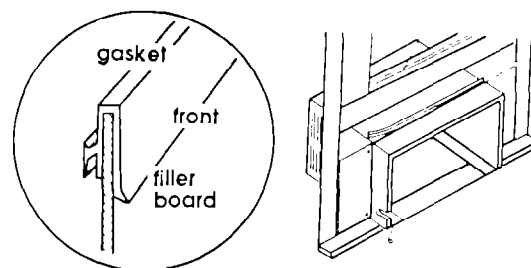


9. Pull cabinet part way out of window. Attach one filler board to front of a side-mounting angle with 3/8" round-head screws.

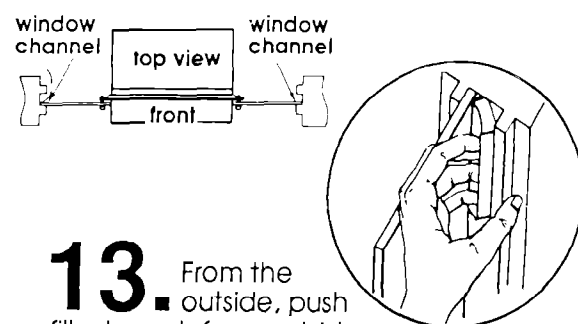


10. Place cabinet back into the window with filler board tight against window channel.

11. Insert other filler board into window channel on opposite side of cabinet. Push filler board against side-mounting angle and attach with 3/8" round-head screws.



12. Measure from inside edge of window frame to other inside edge. Cut window gasket with square ends to fit. Raise window sash slightly and place gasket over top-mounting angle and filler boards.



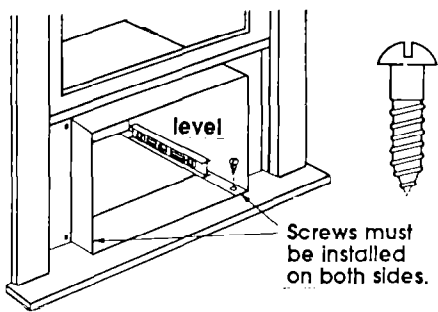
13. From the outside, push filler boards from outside as far forward in window channels as possible.

14. Measure the distance between the channel edge and the filler board. Cut foam blocks 1/4" wider. Insert blocks into channel behind filler boards.

CAUTION

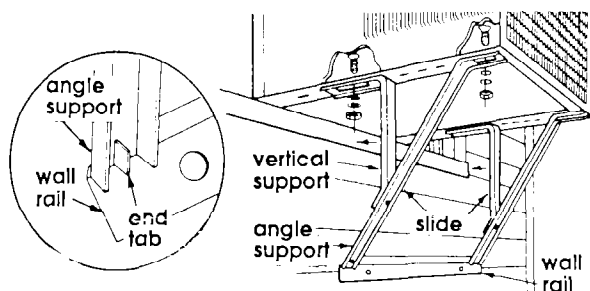
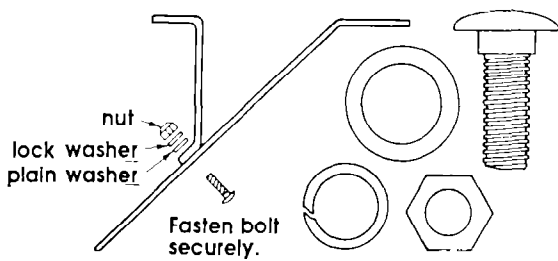
Floor Damage

Check that air conditioner cabinet is tilted to the outside so that water will run to the outside. Failure to do so may cause damage to floor covering.



15. Lower window sash. Place level inside cabinet on the right side. There should be a tilt to the outside of approximately one-half bubble. Place the level on the left side and check.

16. Use a 3/32" drill bit to drill starter holes through the holes in the cabinet and into the window sill. Fasten cabinet to the sill with two wood screws.



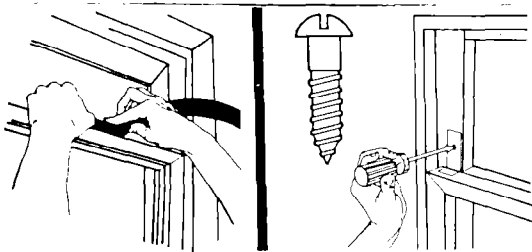
17. Secure vertical and angle supports together. Attach supports to bottom of cabinet. **Do Not tighten bolts** at this time. Attach wall rail to angle supports. Slide each support assembly toward house until wall rail is positioned firmly against wall. Note: If your house is constructed of material that could be damaged by wall-mounting support, fasten a board between wall rail and house.

18. Tighten bolts securely. Tighten angled support bolts last so wall rail fits tightly against house.

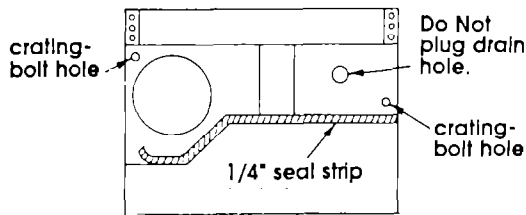
WARNING

Personal Injury/Product Damage Hazard

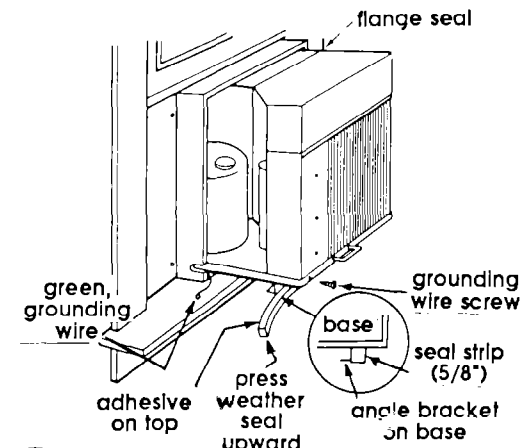
Install window-lock bracket to prevent air conditioner from falling out of window. Failure to do so could result in personal injury or product damage.



19. Insert window rail seal behind the top of the lower window sash and against the glass of the upper window. Place window-lock bracket on top of lower window and against upper window sash. Use a 3/32" drill bit to drill a starter hole through the hole in the bracket. Attach window-lock bracket. Seal small openings around window with gum-type sealer.



20. Apply 1/4" seal strip to top of air conditioner flange. Seal crating-bolt holes with gum-type sealer.



21. Insert air conditioner three-fourths of the way into cabinet. Apply 5/8" seal strip to front of angle bracket on the bottom of air conditioner.

WARNING

Electrical Shock Hazard
Grounding wire from the air conditioner must be connected to the cabinet. Failure to do so could result in electrical shock.

22. Reattach grounding wire to grounding screw.

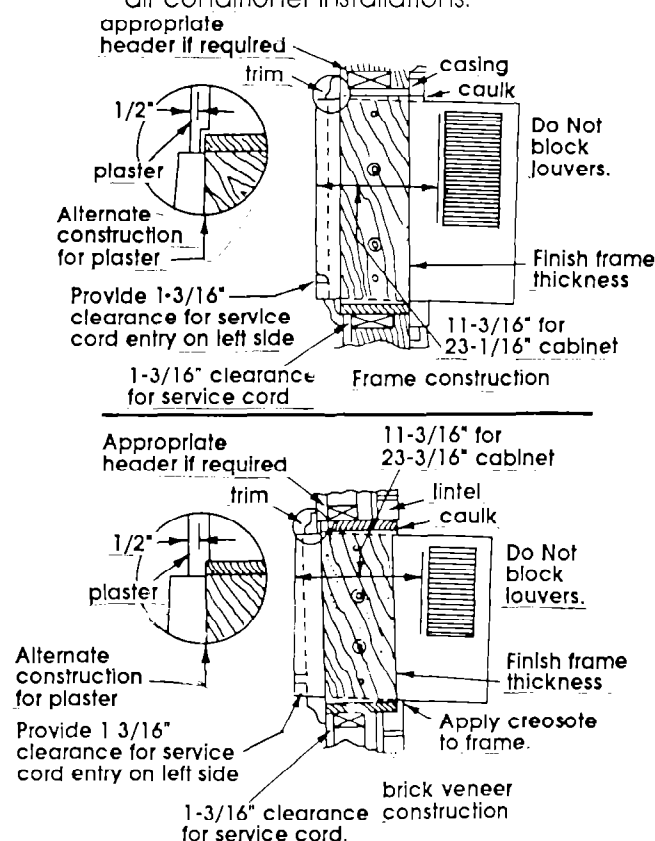
23. Lift air conditioner slightly and slide it into cabinet. Push handle back into base. Put excess grounding wire between control panel and coil.

24. Replace control plate. Push knobs straight on to hold in place.

25. Place bottom edge of front panel on clips and push down. Then push panel into cabinet until panel snaps in place.

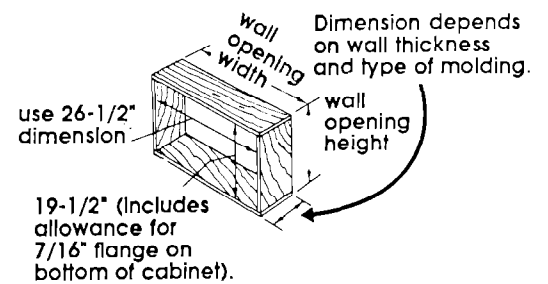
THROUGH-THE-WALL INSTALLATION INSTRUCTIONS... FOR SLIDE-OUT CHASSIS MODEL ONLY.

It is the customer's responsibility and obligation to have this product installed by a qualified technician familiar with through-the-wall room air conditioner installations.



1. When using a wood, metal or plastic molding, the finish

frame should line up with inside wall. If the plastered wall is to be flush with the cabinet and no molding is used, the finish frame must be set 1/2-inch into the wall.



2. Cut opening through the wall. Remove insulation.

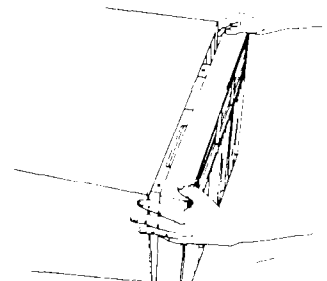
3. Use 1-inch or heavier lumber for wood frame. Measure depth of wall opening and frame. Check that there is a 4-inch minimum clearance between side cabinet louvers and outside wall. This is required for proper airflow into air conditioner.

Apply wood preservative to the outside exposed surface.

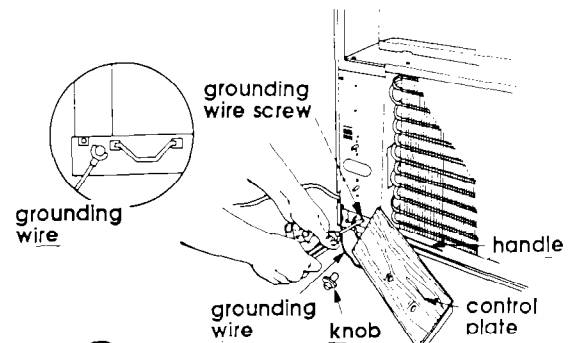
4. Insert the frame in the wall opening. Square and level frame. Nail frame securely to the wall studs.

CAUTION

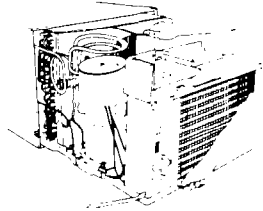
Floor Damage
Remove air conditioner from carton and place on cardboard. Failure to do so may cause damage to floor covering.



5. Remove air conditioner from carton. Place air conditioner on cardboard. Push down on front panel and pull panel toward you to remove air conditioner from cabinet.



6. Pull control knobs straight off and remove control plate. Loosen but do not remove the grounding screw. Disconnect grounding wire.



7. Pull out handle; slide air conditioner out of cabinet and place on cardboard.

8. Insert cabinet into wall opening. The top of the cabinet should extend 1/2-inch into room. If there is trim, the cabinet should extend 1/2-inch in front of trim.

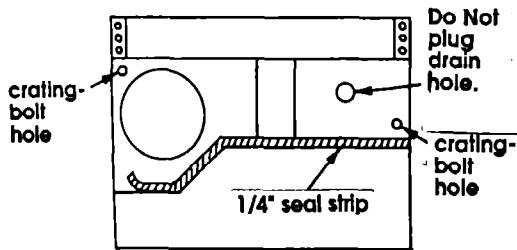
CAUTION

Floor Damage
Check that air conditioner cabinet is tilted to the outside so that water will run to the outside. Failure to do so may cause damage to floor covering.

9. Place level inside cabinet on the right side. There should be a tilt to the outside of approximately one-half bubble. Place the level on the left side and check.

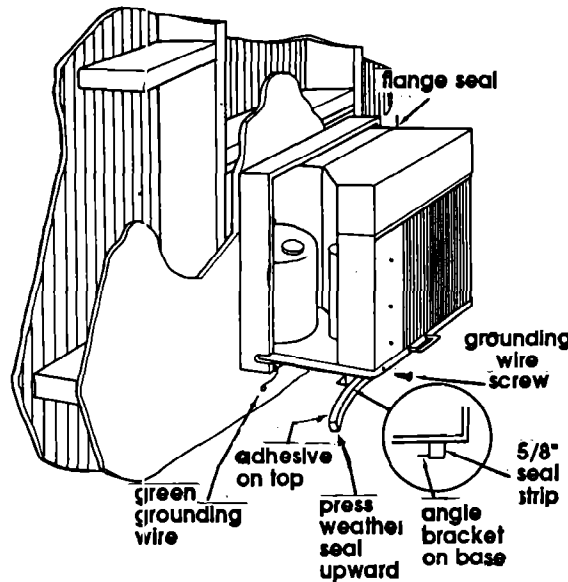
10. Use the insulation removed in step 2 to seal opening between cabinet and frame.

11. Drill four holes on each side and two through the top of the cabinet into the frame. Use ten #10x1" wood screws to attach cabinet to frame. **Do Not overtighten screws or cabinet will distort and provide a poor air seal between cabinet and air conditioner.**



12. Apply 1/4" seal strip to top of air conditioner flange. Seal crating-bolt holes with gum-type sealer.

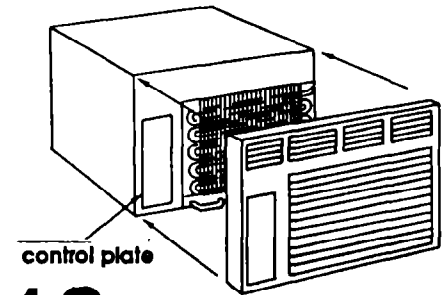
⚠ WARNING
Electrical Shock Hazard
 Grounding wire from the air conditioner must be connected to the cabinet.
 Failure to do so could result in electrical shock.



13. Insert air conditioner three-fourths of the way into cabinet. Apply 5/8" seal strip to front of angle bracket on the bottom of air conditioner.

14. Reattach grounding wire to grounding screw.

15. Lift air conditioner slightly and slide air conditioner into cabinet. Push handle back into base. Put excess grounding wire between control panel and coils.



16. Replace control plate. Push control knobs straight onto shafts.

17. Place bottom edge of front panel on clips and push down. Then push panel into cabinet until panel snaps in place.

18. Caulk all outside wall openings around cabinet.
19. If needed, install molding around room side of cabinet.

OPTIONAL: During high humidity, condensation may drip from the outside of your air conditioner onto the ground below. You can direct water to a suitable spot by attaching a 5/8" (inside-diameter), thin-walled hose to the drain spout at rear of cabinet.

If your air conditioner is not operating properly...

Check that the circuit breaker is not tripped or fuse blown. Check that power supply cord is securely plugged into the electrical outlet.

If you need assistance...

When you call, you will need the air conditioner model number and serial number. Both numbers are found on serial/rating plate located behind the front panel above the coil area.