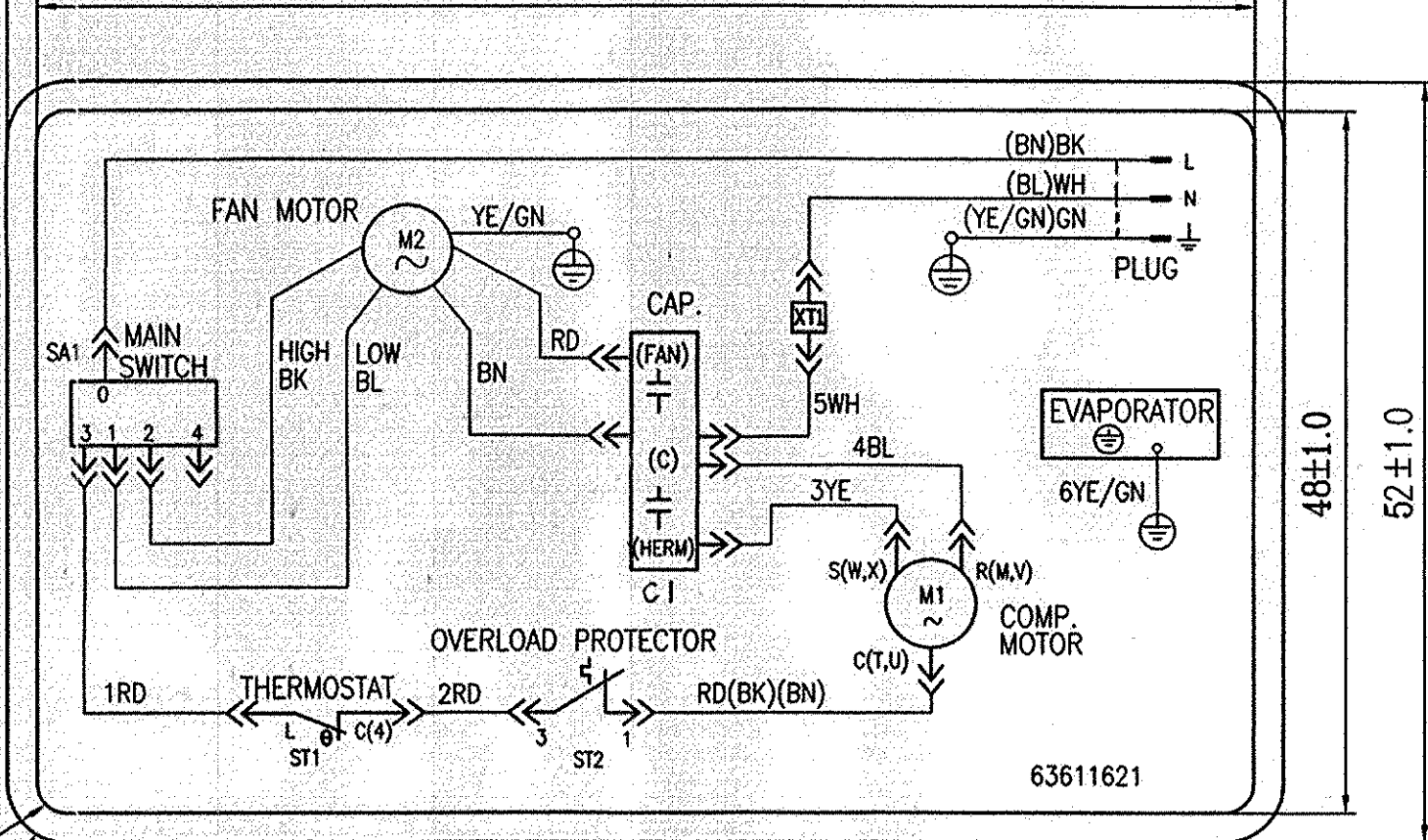


85±1.0

81±1.0



48±1.0

52±1.0

4-R2

4-R4

63611621