



**trio**

「 **Models/Modelos/Modèles** 」

596.7759\*801, 7759\*802, 7759\*803  
596.7760\*801, 7760\*802, 7760\*803  
596.7828\*800, 7828\*802  
596.7857\*801, 7857\*802, 7857\*803  
596.7858\*801, 7858\*802, 7858\*803

**Bottom-Mount Refrigerator**

Use & Care Guide

**Refrigerador con congelador en la parte inferior**

Manual de uso y cuidado

**Réfrigérateur à congélateur au bas**

Guide d'utilisation et d'entretien



ENGLISH ESPAÑOL FRANÇAIS

# TABLE OF CONTENTS

<b>WARRANTY</b> .....	<b>2</b>	<b>DOOR FEATURES</b> .....	<b>14</b>
<b>REFRIGERATOR SAFETY</b> .....	<b>3</b>	Dairy Center .....	14
Proper Disposal of Your Old Refrigerator .....	3	Door Bins .....	14
<b>INSTALLATION INSTRUCTIONS</b> .....	<b>4</b>	Grip Pads .....	14
Unpack the Refrigerator .....	4	Fresh-N-Ready Bin™ .....	14
Location Requirements .....	4	<b>REFRIGERATOR CARE</b> .....	<b>15</b>
Electrical Requirements.....	5	Cleaning .....	15
Water Supply Requirements .....	5	Changing the Light Bulb.....	16
Connect the Water Supply .....	5	Power Interruptions .....	16
Refrigerator Door(s) and Drawer .....	7	Vacation and Moving Care .....	16
Adjust the Door.....	9	<b>TROUBLESHOOTING</b> .....	<b>17</b>
Water System Preparation .....	9	Refrigerator Operation.....	17
<b>REFRIGERATOR USE</b> .....	<b>10</b>	Temperature and Moisture.....	17
Opening and Closing Doors .....	10	Ice and Water.....	18
Using the Controls.....	10	<b>PROTECTION AGREEMENTS</b> .....	<b>19</b>
Water Dispenser .....	11	<b>ACCESSORIES</b> .....	<b>19</b>
Water Filtration System .....	12	<b>WATER FILTER CERTIFICATIONS</b> .....	<b>19</b>
Ice Maker .....	12	<b>PRODUCT DATA SHEETS</b> .....	<b>20</b>
<b>REFRIGERATOR FEATURES</b> .....	<b>13</b>	<b>SERVICE NUMBERS</b> .....	<b>BACK COVER</b>
Refrigerator Shelves .....	13		
Crisper and Crisper Cover.....	13		
Crisper Humidity Control.....	13		
Gourmet Pantry™ Drawer.....	13		

## KENMORE LIMITED WARRANTY

When installed, operated and maintained according to all instructions supplied with the product, if this appliance fails due to a defect in material and workmanship within one year from the date of purchase, call 1-800-4-MY-HOME® to arrange for free repair.

If the sealed refrigerant system is defective within five years from the purchase date, call 1-800-4-MY-HOME® to arrange for free repair.

This warranty applies for only 90 days from the date of purchase if this appliance is ever used for other than private family purposes.

**This warranty covers only defects in material and workmanship. Sears will NOT pay for:**

1. Expendable items that can wear out from normal use, including but not limited to filters, belts, light bulbs, and bags.
2. A service technician to instruct the user in correct product installation, operation or maintenance.
3. A service technician to clean or maintain this product.
4. Damage to or failure of this product if it is not installed, operated or maintained according to the all instructions supplied with the product.
5. Damage to or failure of this product resulting from accident, abuse, misuse or use for other than its intended purpose.
6. Damage to or failure of this product caused by the use of detergents, cleaners, chemicals or utensils other than those recommended in all instructions supplied with the product.
7. Damage to or failure of parts or systems resulting from unauthorized modifications made to this product.

### Disclaimer of implied warranties; limitation of remedies

Customer's sole and exclusive remedy under this limited warranty shall be product repair as provided herein. Implied warranties, including warranties of merchantability or fitness for a particular purpose, are limited to one year or the shortest period allowed by law. Sears shall not be liable for incidental or consequential damages. Some states and provinces do not allow the exclusion or limitation of incidental or consequential damages, or limitation on the duration of implied warranties of merchantability or fitness, so these exclusions or limitations may not apply to you.

This warranty applies only while this appliance is used in the United States or Canada.

This warranty gives you specific legal rights, and you may also have other rights which vary from state to state.

**Sears, Roebuck and Co.  
Hoffman Estates, IL 60179**

**Sears Canada Inc.  
Toronto, Ontario, Canada M5B 2B8**

### PRODUCT RECORD

Record your complete model number, serial number, and purchase date. You can find this information on the model and serial number label located on the product.

Have this information available to help you obtain assistance or service more quickly whenever you contact Sears concerning your appliance.

Model number \_\_\_\_\_

Serial number \_\_\_\_\_

Purchase date \_\_\_\_\_

**Save these instructions and your sales receipt for future reference.**

# REFRIGERATOR SAFETY

## Your safety and the safety of others are very important.

We have provided many important safety messages in this manual and on your appliance. Always read and obey all safety messages.



This is the safety alert symbol.

This symbol alerts you to potential hazards that can kill or hurt you and others.

All safety messages will follow the safety alert symbol and either the word "DANGER" or "WARNING."

These words mean:

**⚠ DANGER**

You can be killed or seriously injured if you don't immediately follow instructions.

**⚠ WARNING**

You can be killed or seriously injured if you don't follow instructions.

All safety messages will tell you what the potential hazard is, tell you how to reduce the chance of injury, and tell you what can happen if the instructions are not followed.

## IMPORTANT SAFETY INSTRUCTIONS

**WARNING:** To reduce the risk of fire, electric shock, or injury to persons when using the refrigerator, follow basic precautions, including the following:

- Plug into a grounded 3 prong outlet.
- Do not remove ground prong.
- Do not use an adapter.
- Do not use an extension cord.
- Disconnect power before servicing.
- Replace all parts and panels before operating.
- Remove doors from your old refrigerator.
- Use nonflammable cleaner.
- Keep flammable materials and vapors, such as gasoline, away from refrigerator.
- Use two or more people to move and install refrigerator.
- Disconnect power before installing ice maker (on ice maker kit ready models only).

**SAVE THESE INSTRUCTIONS**

## Proper Disposal of Your Old Refrigerator

**⚠ WARNING**

**Suffocation Hazard**

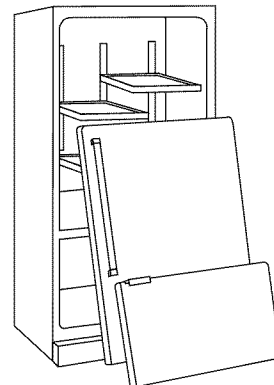
Remove doors from your old refrigerator.

Failure to do so can result in death or brain damage.

**IMPORTANT:** Child entrapment and suffocation are not problems of the past. Junked or abandoned refrigerators are still dangerous – even if they will sit for "just a few days." If you are getting rid of your old refrigerator, please follow these instructions to help prevent accidents.

## Before You Throw Away Your Old Refrigerator or Freezer:

- Take off the doors.
- Leave the shelves in place so that children may not easily climb inside.



# INSTALLATION INSTRUCTIONS

## Unpack the Refrigerator

### **⚠ WARNING**

#### **Excessive Weight Hazard**

Use two or more people to move and install refrigerator.

Failure to do so can result in back or other injury.

### Remove the Packaging

- Remove tape and glue residue from surfaces before turning on the refrigerator. Rub a small amount of liquid dish soap over the adhesive with your fingers. Wipe with warm water and dry.
- Do not use sharp instruments, rubbing alcohol, flammable fluids, or abrasive cleaners to remove tape or glue. These products can damage the surface of your refrigerator. For more information, see "Refrigerator Safety."
- Dispose of/recycle all packaging materials.

### When Moving Your Refrigerator:

Your refrigerator is heavy. When moving the refrigerator for cleaning or service, be sure to cover the floor with cardboard or hardboard to avoid floor damage. Always pull the refrigerator straight out when moving it. Do not wiggle or "walk" the refrigerator when trying to move it, as floor damage could occur.

### Clean Before Using

After you remove all of the packaging materials, clean the inside of your refrigerator before using it. See the cleaning instructions in "Refrigerator Care."

### Important information to know about glass shelves and covers:

Do not clean glass shelves or covers with warm water when they are cold. Shelves and covers may break if exposed to sudden temperature changes or impact, such as bumping. Tempered glass is designed to shatter into many small, pebble-size pieces. This is normal. Glass shelves and covers are heavy. Use both hands when removing them to avoid dropping.

## Location Requirements

### **⚠ WARNING**



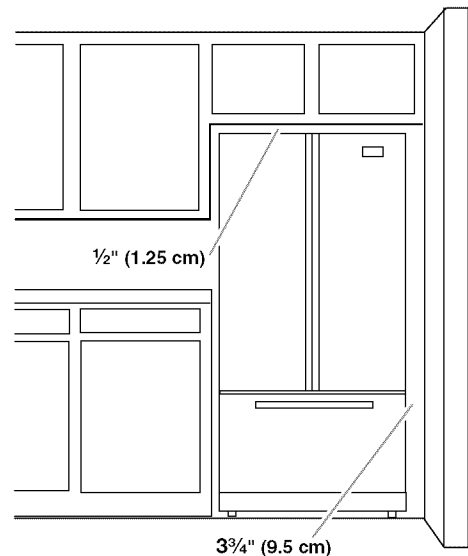
#### **Explosion Hazard**

Keep flammable materials and vapors, such as gasoline, away from refrigerator.

Failure to do so can result in death, explosion, or fire.

To ensure proper ventilation for your refrigerator, allow for a 1/2" (1.25 cm) space at the top and behind the refrigerator. If your refrigerator has an ice maker, allow extra space at the back for the water line connections. When installing your refrigerator next to a fixed wall, leave a 3/4" (9.5 cm) minimum space between the refrigerator and wall to allow the door to swing open.

**NOTE:** It is recommended that you do not install the refrigerator near an oven, radiator, or other heat source. Do not install the refrigerator in a location where the temperature will fall below 55°F (13°C).



## Electrical Requirements

### **⚠ WARNING**



#### Electrical Shock Hazard

**Plug into a grounded 3 prong outlet.**

**Do not remove ground prong.**

**Do not use an adapter.**

**Do not use an extension cord.**

**Failure to follow these instructions can result in death, fire, or electrical shock.**

Before you move your refrigerator into its final location, it is important to make sure you have the proper electrical connection.

#### Recommended Grounding Method

A 115 Volt, 60 Hz., AC only 15- or 20-amp fused, grounded electrical supply is required. It is recommended that a separate circuit serving only your refrigerator be provided. Use an outlet that cannot be turned off by a switch. Do not use an extension cord.

**NOTE:** Before performing any type of installation, cleaning, or removing a light bulb, turn Cooling OFF, and then disconnect the refrigerator from the electrical source. When you are finished, reconnect the refrigerator to the electrical source and turn Cooling ON. See "Using the Controls."

## Water Supply Requirements

Gather the required tools and parts before starting installation. Read and follow the instructions provided with any tools listed here.

#### TOOLS NEEDED:

- Flat-blade screwdriver
- ¼" Nut driver
- 7/16" and ½" Open-end or two adjustable wrenches
- ¼" Drill bit
- Cordless drill

#### IMPORTANT:

- All installations must meet local plumbing code requirements.
- Do not use a piercing-type or 3/16" (4.76 mm) saddle valve which reduces water flow and clogs more easily.
- Use copper tubing and check for leaks. Install copper tubing only in areas where the household temperatures will remain above freezing.
- For models with water filters, the disposable water filter should be replaced at least every 6 months.

#### Water Pressure

A cold water supply with water pressure of between 35 and 120 psi (241 and 827 kPa) is required to operate the water dispenser and ice maker. If you have questions about your water pressure, call a licensed, qualified plumber.

#### Reverse Osmosis Water Supply

**IMPORTANT:** The pressure of the water supply coming out of a reverse osmosis system going to the water inlet valve of the refrigerator needs to be between 35 and 120 psi (241 and 827 kPa).

If a reverse osmosis water filtration system is connected to your cold water supply, the water pressure to the reverse osmosis system needs to be a minimum of 40 to 60 psi (276 to 414 kPa).

If the water pressure to the reverse osmosis system is less than 40 to 60 psi (276 to 414 kPa):

- Check to see whether the sediment filter in the reverse osmosis system is blocked. Replace the filter if necessary.
- Allow the storage tank on the reverse osmosis system to refill after heavy usage.
- If your refrigerator has a water filter, it may further reduce the water pressure when used in conjunction with a reverse osmosis system. Remove the water filter. See "Water Filtration System."

If you have questions about your water pressure, call a licensed, qualified plumber.

## Connect the Water Supply

Read all directions before you begin.

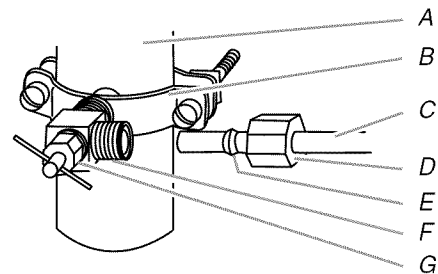
**IMPORTANT:** If you turn the refrigerator on before the water line is connected, turn the ice maker OFF.

#### Connect to Water Line

1. Unplug refrigerator or disconnect power.
2. Turn OFF main water supply. Turn ON nearest faucet long enough to clear line of water.
3. Find a ½" to 1¼" (12.7 mm to 31.8 mm) vertical cold water pipe near the refrigerator.

#### IMPORTANT:

- Make sure it is a cold water pipe.
  - Horizontal pipe will work, but the following procedure must be followed: Drill on the top side of the pipe, not the bottom. This will help keep water away from the drill. This also keeps normal sediment from collecting in the valve.
4. Determine the length of copper tubing you need. Measure from the connection on the rear of the refrigerator to the water pipe. Add 7 ft (2.1 m) to allow for cleaning. Use ¼" (6.35 mm) O.D. (outside diameter) copper tubing. Be sure both ends of copper tubing are cut square.
  5. Using a cordless drill, drill a ¼" hole in the cold water pipe you have selected.



- A. Cold water pipe
- B. Pipe clamp
- C. Copper tubing
- D. Compression nut
- E. Compression sleeve
- F. Shutoff valve
- G. Packing nut

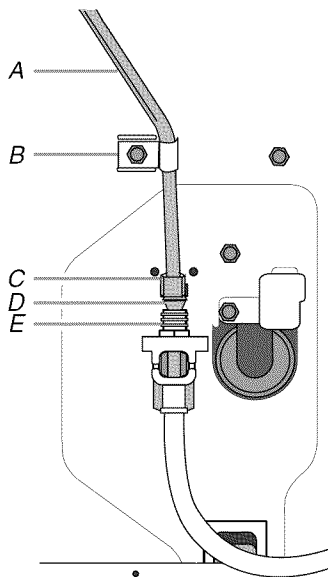
- Fasten the shutoff valve to the cold water pipe with the pipe clamp. Be sure the outlet end is solidly in the 1/4" drilled hole in the water pipe and that the washer is under the pipe clamp. Tighten the packing nut. Tighten the pipe clamp screws slowly and evenly so the washer makes a watertight seal. Do not overtighten.
- Slip the compression sleeve and compression nut on the copper tubing as shown. Insert the end of the tubing into the outlet end squarely as far as it will go. Screw compression nut onto outlet end with adjustable wrench. Do not overtighten or you may crush the copper tubing.
- Place the free end of the tubing in a container or sink, and turn ON the main water supply. Flush the tubing until water is clear. Turn OFF the shutoff valve on the water pipe.

## Connect to Refrigerator

Depending on your model, the water line may come down from the top or up from the bottom. Follow the connection instructions for your model.

### Style 1

- Remove plastic cap from water valve inlet port. Attach the copper tube to the valve inlet using a compression nut and sleeve as shown. Tighten the compression nut. Do not overtighten. Confirm copper tubing is secure by pulling on copper tubing.
- Create a service loop with the copper tubing. Avoid kinks when coiling the copper tubing. Secure copper tubing to refrigerator cabinet with a "P" clamp.



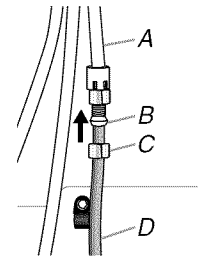
A. Copper tubing      D. Compression sleeve  
B. "P" clamp        E. Water valve inlet port  
C. Compression nut

- Turn on water supply to refrigerator and check for leaks. Correct any leaks.

### Style 2

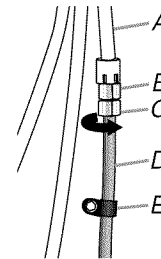
- Create a service loop (minimum diameter of 2 ft [61 cm]) with the copper tubing. Avoid kinks when coiling the copper tubing.
- Remove the plastic cap from water valve inlet port. Place a compression nut and sleeve on the copper tubing.
- Insert the end of the copper tubing into the water valve inlet port. Shape tubing slightly so that the tubing feeds straight into the port to avoid kinks.

- Slide the compression nut over the sleeve and screw into the water valve inlet port.



A. Plastic water tubing      C. Compression nut  
B. Sleeve                      D. Copper tubing

- Using an adjustable wrench, hold the nut on the plastic water line to keep it from moving. Then, with a second wrench turn the compression nut on the copper tubing counterclockwise to completely tighten. Do not overtighten.



A. Plastic water line      D. Copper tubing  
B. Water valve inlet port    E. "P" clamp  
C. Compression nut

- Check connection by pulling on copper tubing. Attach copper tubing to refrigerator cabinet with a "P" clamp. Turn on water supply to refrigerator and check for leaks. Correct any leaks.

## Complete the Installation

### ⚠ WARNING



#### Electrical Shock Hazard

**Plug into a grounded 3 prong outlet.**

**Do not remove ground prong.**

**Do not use an adapter.**

**Do not use an extension cord.**

**Failure to follow these instructions can result in death, fire, or electrical shock.**

- Plug into a grounded 3 prong outlet.

**NOTE:** Allow 24 hours to produce the first batch of ice. Discard the first three batches of ice produced. Allow 3 days to completely fill the ice container.

## Refrigerator Door(s) and Drawer


Graphics are included later in this section.

### Remove and Replace Handles

1. Using a  $\frac{3}{32}$ " Allen wrench, loosen the two setscrews located on the side of each handle. See Graphics 1 and 2.
2. Pull the handle straight out from the door. Make sure you keep the screws for reattaching the handles.
3. To replace the handles, reverse the directions.

### Remove Doors and Hinges

**⚠ WARNING**



**Electrical Shock Hazard**

**Disconnect power before removing doors.**

**Failure to do so can result in death or electrical shock.**

#### IMPORTANT:

- Remove food and any adjustable door or utility bins from doors.
- All graphics referenced in the following instructions are included later in this section after "Final Steps."

**TOOLS NEEDED:**  $\frac{5}{16}$ ",  $\frac{3}{8}$ ",  $\frac{1}{4}$ " hex head socket wrenches, #2 Phillips screwdriver, and a flat-blade screwdriver.

1. Unplug refrigerator or disconnect power.
2. Keep the refrigerator doors closed until you are ready to lift them free from the cabinet.  
**NOTE:** Provide additional support for the refrigerator door while the hinges are being removed. Do not depend on the door gasket magnets to hold the door in place while you are working.
3. Starting with the right-hand side door, remove the parts for the top hinge as shown in Top Hinge graphic. Lift the refrigerator door from the bottom hinge pin.
4. Before removing the left-hand side door, disconnect the wiring plug located on top of the top hinge by wedging a flat-blade screwdriver or your fingernail between the two sections. See Wiring Plug graphic.  
**NOTE:** The green, ground wire remains attached to the hinge.
5. Remove the parts for the top hinge as shown in Top Hinge graphic. Lift the left-hand side door from the bottom hinge pin.

### Replace Doors and Hinges

1. Assemble the parts for the top hinge as shown in Top Hinge graphic. Do not tighten the screws completely.
2. Replace the parts for the bottom hinge as shown in Bottom Hinge graphic. Tighten screws. Replace the refrigerator door.  
**NOTE:** Provide additional support for the refrigerator door while the hinges are being moved. Do not depend on the door gasket magnets to hold the door in place while you are working.

3. Align the door so that the bottom of the refrigerator door aligns evenly with the top of the freezer drawer. Tighten all screws.
4. Reconnect the wiring plug on top of the left-hand side refrigerator door.
5. Replace the top hinge covers.

### Remove and Replace Freezer Drawer Front

**IMPORTANT:** Two people may be required to remove and replace the freezer drawer front. Graphics are included later in this section.

#### Remove Drawer Front


1. Open the freezer drawer to full extension.
2. Loosen the four screws attaching the drawer glides to the drawer front. See Drawer Front Removal graphic.  
**NOTE:** Loosen screws three to four turns. Keep the screws in the drawer front.
3. Lift drawer front upward and off the screws. See Drawer Front Removal graphic.

#### Replace Drawer Front

1. Slide the drawer glides out of the freezer compartment. Insert the screws in the top of the drawer front into the slots in the drawer brackets. See Drawer Front Replacement graphic.
2. Pull the drawer brackets toward you to position the two screws in the bottom of the drawer front into the brackets. See Drawer Front Replacement graphic.
3. Completely tighten the four screws.

### Final Steps

**⚠ WARNING**



**Electrical Shock Hazard**

**Plug into a grounded 3 prong outlet.**

**Do not remove ground prong.**

**Do not use an adapter.**

**Do not use an extension cord.**

**Failure to follow these instructions can result in death, fire, or electrical shock.**

1. Plug into a grounded 3 prong outlet.
2. Return all removable door parts to doors and food to refrigerator.



# ⚠ WARNING

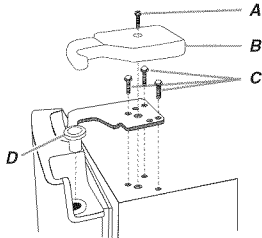
Electrical Shock Hazard

Disconnect power before removing doors.

Failure to do so can result in death or electrical shock.

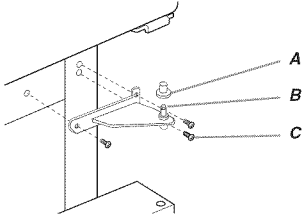
## Door Removal & Replacement

### Top Hinges



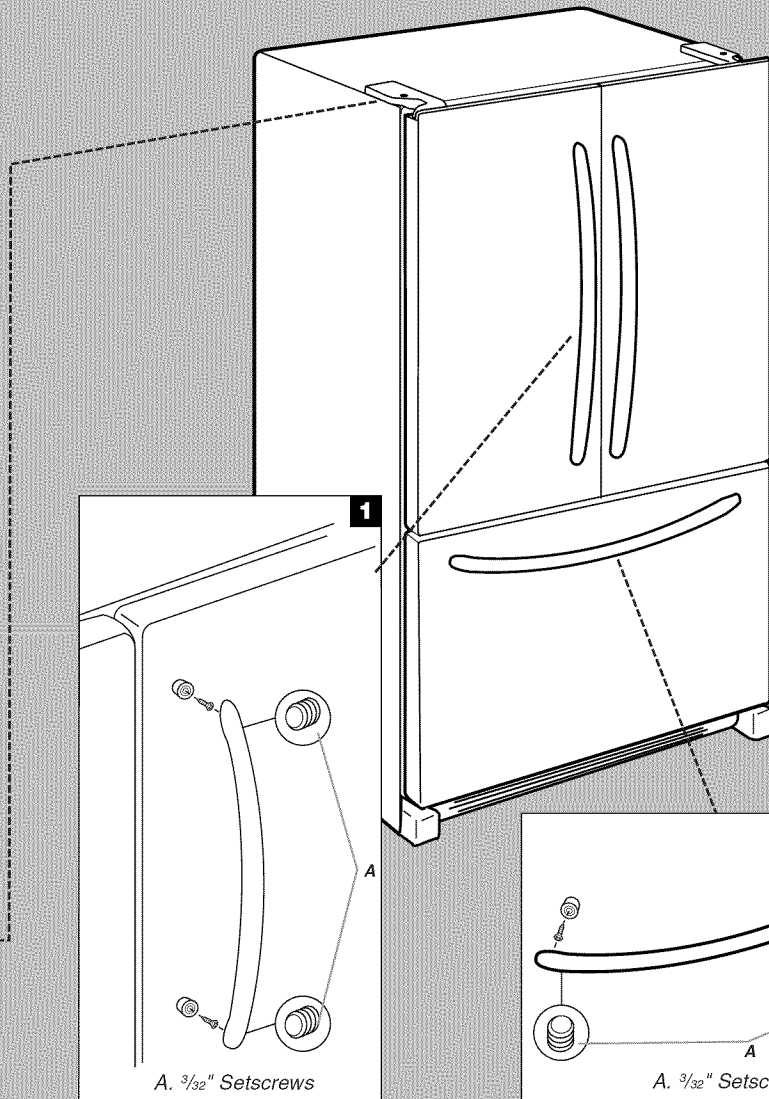
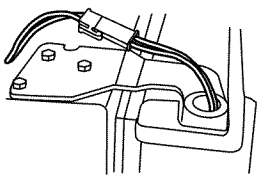
- A. Hinge Cover Screw
- B. Top Hinge Cover
- C.  $\frac{3}{16}$ " Hex-Head Hinge Screws
- D. Top Hinge

### Bottom Hinges



- A. Hinge Pin Cover
- B. Bottom Hinge
- C. Hinge Screws

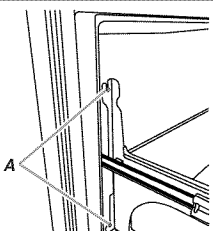
### Wiring Plug



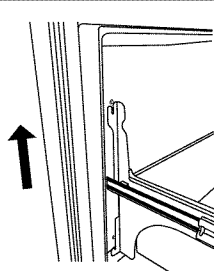
A.  $\frac{3}{32}$ " Setscrews

A.  $\frac{3}{32}$ " Setscrews

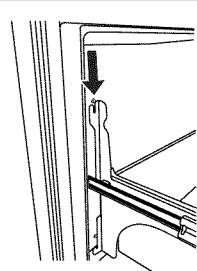
## Drawer Front Removal



A. Loosen 4 Door Bracket Screws



## Drawer Front Replacement

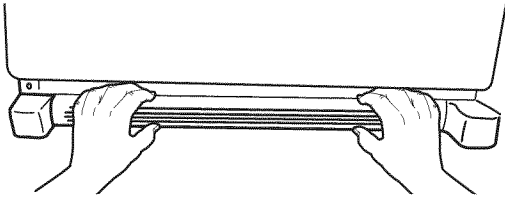




## Adjust the Door

Depending on your model, your refrigerator may have two adjustable rollers (**Style 1**) or two leveler foot screws (**Style 2**) located at the base of the refrigerator. If your refrigerator seems unsteady or you want the door to close more easily, use the instructions below.

1. Remove the base grille. Grasp the grille firmly and pull it toward you.



2. Raise or lower the cabinet.

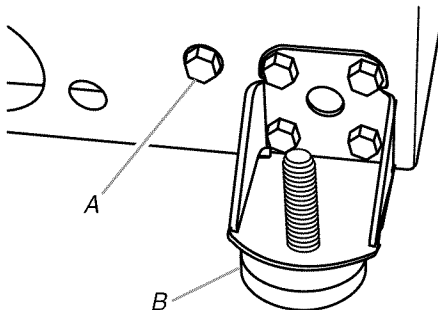
### Style 1 - Front leveling

Using a  $\frac{3}{8}$ " hex driver, turn the roller adjustment screw(s) on each side to raise or lower that side of the refrigerator.

**NOTE:** Having someone push against the top of the refrigerator takes some weight off the adjustment screws and rollers. This makes it easier to turn the screws. It may take several turns of the roller adjustment screw to adjust the tilt of the refrigerator.

- To raise, turn the roller adjustment screw to the right.
- To lower, turn the roller adjustment screw to the left.

Turn the brake foot clockwise until it is firmly against the floor to keep the refrigerator from rolling forward when the freezer drawer is pulled open.



A. Front roller adjustment screw  
B. Brake foot

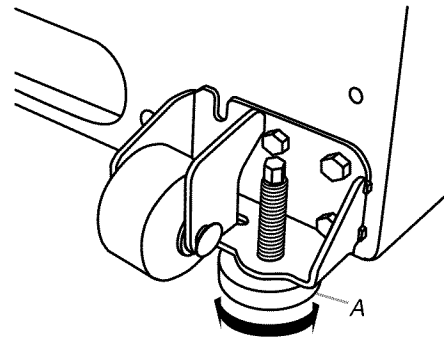
### Style 2 - Leveler screw

Using a  $\frac{1}{4}$ " hex driver, turn the leveling screw on each side to raise or lower that side of the refrigerator.

**NOTE:** Having someone push against the top of the refrigerator takes some weight off the leveling screws. This makes it easier to turn the screws. It may take several turns of the leveling screw to adjust the tilt of the refrigerator.

- To raise, turn the leveling screw clockwise.

- To lower, turn the leveling screw counterclockwise.



A. Leveling screw

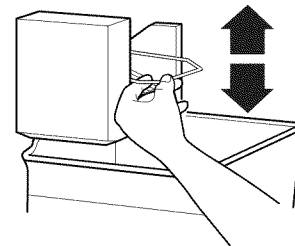
3. Open the door again to make sure that it closes as easily as you like. If not, tilt the refrigerator slightly more to the rear by turning both leveling screws clockwise. It may take several more turns, and you should turn both screws the same amount.
4. Replace the base grille.

## Water System Preparation

Please read before using the water system.

Immediately after installation, follow the steps below to make sure that the water system is properly flushed.

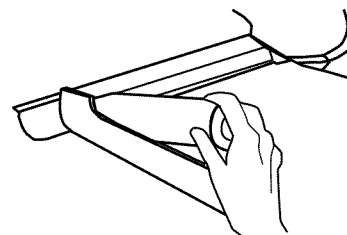
1. Turn off the ice maker by opening the freezer door and lifting up the wire shutoff arm as shown.



2. Install the interior water filter. The interior water filter mounting bracket is located on the left side wall of the refrigerator compartment.

Do not use with water that is microbiologically unsafe or of unknown quality without adequate disinfection before or after the system. Systems certified for cyst reduction may be used on disinfected waters that may contain filterable cysts.

- Remove blue bypass cap and retain for later use.
- Gently remove the interior water filter from its packaging. Remove the sealing label from the end of the filter and insert it into the filter head.
- Gently rotate the filter clockwise until it stops. Then snap the filter cover closed.



3. Press the Water button on the dispenser control panel. Use a sturdy container to depress and hold the dispenser lever for 5 seconds, then release it for 5 seconds. Repeat until water begins to flow. Once water begins to flow, continue depressing and releasing the dispenser lever (5 seconds on, 5 seconds off) for an additional 2 minutes. This will flush air from the filter and water dispensing system. Additional flushing may be required in some households. As air is cleared from the system, water may spurt out of the dispenser.

**NOTE:** After 5 minutes of continuous dispensing, the dispenser will stop dispensing water to avoid flooding. To continue dispensing, remove the container and press the dispensing lever again.

4. Inspect the filter system for water leaks. If you see water leaks, see the “Troubleshooting” section.
5. Turn on the ice maker by opening the freezer door and lowering the wire shutoff arm as shown. Please refer to the “Ice Maker” section for further instructions on the operation of your ice maker.
  - Allow 24 hours to produce the first batch of ice.
  - Discard the first three batches of ice produced.

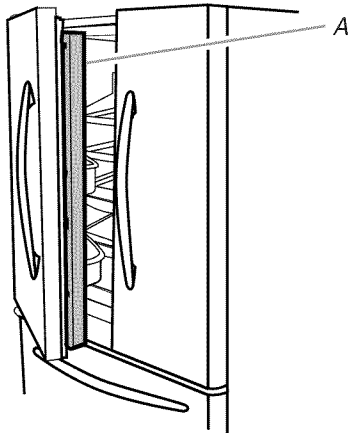
## REFRIGERATOR USE

### Opening and Closing Doors

There are two refrigerator compartment doors. The doors can be opened and closed either separately or together.

There is a vertically-hinged seal on the left refrigerator door.

- When the left side door is opened, the hinged seal automatically folds inward so that it is out of the way.
- When both doors are closed, the hinged seal automatically forms a seal between the two doors.



A. Hinged seal

### Using the Controls

#### IMPORTANT:

- When the power is on, the temperature display shows the actual temperature of the compartment.
- Wait 24 hours for your refrigerator to cool completely before adding food. If you add food before the refrigerator has cooled completely, your food may spoil.

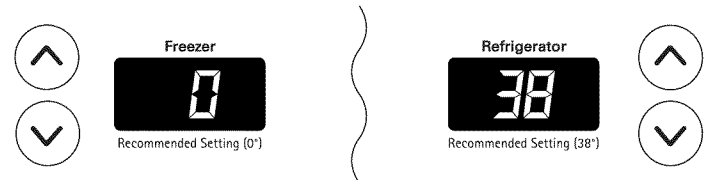
**NOTE:** Adjusting the refrigerator and freezer temperature controls to a colder than recommended setting will not cool the compartments any faster.

- The recommended settings should be correct for normal household refrigerator use. The controls are set correctly when milk or juice is as cold as you like and when ice cream is firm.
- If the temperature is too warm or too cold in the refrigerator or freezer, first check the air vents to be sure they are not blocked before adjusting the controls.

### Temperature Controls

For your convenience, your temperature controls are preset at the factory. When you first install your refrigerator, make sure the controls are still set to the recommended set points as shown.

#### Recommended Settings



#### To Turn Cooling Off/On:

Press the Freezer Up Arrow until OFF appears in the display. Neither compartment will cool. Press either the Freezer or Refrigerator Down Arrow to turn the cooling back on.

### Adjusting Controls

The REFRIGERATOR control adjusts the refrigerator compartment temperature. The FREEZER control adjusts the freezer compartment temperature.

If you need to adjust the temperature in either the refrigerator or freezer compartment, use the settings listed in the chart as a guide.

#### To Adjust Set Point Temperatures:

The first touch of the Up Arrow or Down Arrow displays the current temperature set point. The display will show the set point for approximately 3 seconds, and then return to the actual temperature.

- Press the Up Arrow or Down Arrow touch pads until the desired temperature set point is displayed.

**NOTE:** Except when first turning on the refrigerator, do not adjust either temperature control more than one setting at a time. Wait 24 hours for the temperature to stabilize between adjustments.

CONDITION/REASON:	ADJUSTMENT:
REFRIGERATOR too warm	REFRIGERATOR Control 1° lower
FREEZER too warm/too little ice	FREEZER Control 1° lower
REFRIGERATOR too cold	REFRIGERATOR Control 1° higher
FREEZER too cold	FREEZER Control 1° higher

### Additional Control Center Features

#### Grocery Savor

The Grocery Savor feature assists with periods of high refrigerator use, full grocery loads, or temporarily warm room temperatures.

- Press the Grocery Savor touch pad to set the freezer and refrigerator to the lowest temperature settings. Press the Grocery Savor touch pad again to return to the normal refrigerator set point.

**NOTE:** The Grocery Savor feature will automatically shut off in approximately 12 hours. When Grocery Savor is on, you cannot adjust the temperature in either compartment.



### Acceler-Ice

The Acceler-Ice feature assists with temporary periods of heavy ice use by increasing ice production.

- Press Acceler-Ice to set the freezer to the lowest temperature settings. Press Acceler-Ice again to return the freezer to the normal set point.

**NOTE:** The Acceler-Ice feature will automatically shut off in approximately 24 hours. When Acceler-Ice is on, you cannot adjust the freezer temperature.



### Door Ajar

The Door Ajar feature sounds a chime every few seconds when the refrigerator door has been left open for 5 continuous minutes. The chime will sound until the door is closed or Door Ajar is turned off. The light bulbs will turn off if any door is left open for 6 continuous minutes. Closing all the doors for 1 second will cause the lights to come back on.

- Press the Door Ajar touch pad to turn this feature on or off. The indicator light will be lit when the Door Ajar feature is on.



### Humidity Control (on some models)

The Humidity Control feature turns on a heater to help reduce moisture on the door hinge seal. Use in humid environments or when you notice moisture on the door hinge seal. The refrigerator uses more energy when Humidity Control is on.

- Press Humidity Control when the environment is warm and more humid, or if you notice moisture on the door hinge seal. The indicator light will be lit when humidity control is ON.
- Press Humidity Control again to turn OFF and save energy when the environment is less humid.



### Temp Alarm (on some models)

The Temp Alarm feature provides temperature information in the event of a power outage.

**Power outage:** During a power outage, if the temperatures in the refrigerator and freezer compartments exceed normal operating temperatures, the highest temperature reached will be displayed.

- Press the Temp Alarm touch pad until the indicator light is lit, to turn on this feature. Press and hold Temp Alarm for 3 seconds until the indicator light goes off, to turn off this feature.

**Temperature alarm:** An alarm will sound repeatedly if the freezer or refrigerator compartment temperatures exceed normal operating temperatures for an hour or more.

The temperature displays will alternately show the current temperatures and the highest temperatures the compartments reached.

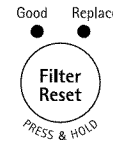
- Press the Temp Alarm touch pad once to stop the audible alarm and alternating temperature displays. The Temp Alarm light will continue to flash until the refrigerator returns to the set temperature.



### Filter Reset (on some models)

The Filter Reset control allows you to restart the water filter status tracking feature each time you replace your water filter. See “Water Filtration System.”

- Press and hold the Filter Reset touch pad for 3 seconds, until the Replace light turns off.




---

## User Preferences

---

The control center allows you to set user preferences, if desired.

### Temperature Display (F\_C)

This preference allows you to change the temperature display.

F - Temperature in degrees Fahrenheit

C - Temperature in degrees Celsius

### Alarm (AL)

This preference allows you to turn off the sound of all alarms.

ON - You will hear the alarm sound.

OFF - You will not hear the alarm sound.

### Sabbath Mode (SAB)

ON - All control center lights and alarm tones will be disabled.

OFF - All control center lights and alarm tones will be enabled.

**NOTE:** Press the Door Ajar touch pad for 3 seconds to restore all lights.

### To Access the User Preferences Menu:

1. Press and hold the Door Ajar touch pad for 3 seconds. The preference name will appear in the Freezer display and the preference status (F or C) or (ON or OFF) will appear in the Refrigerator display.
  2. Use the Freezer Up Arrow or Down Arrow touch pads to scroll through the preference names. When the desired preference name is displayed, press the Refrigerator Up Arrow or Down Arrow touch pads to change the preference status.
  3. Set your preferences by pressing and holding the Door Ajar touch pad for 3 seconds.
- 

## Water Dispenser (on some models)

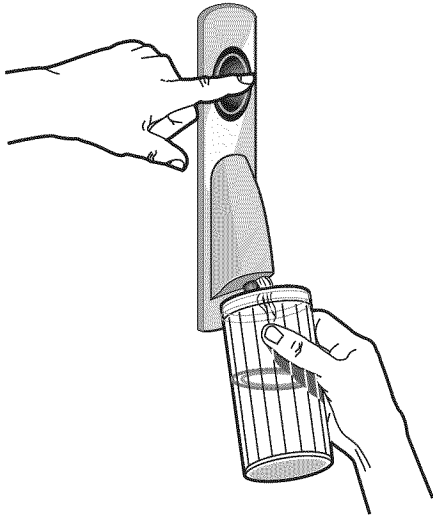
### IMPORTANT:

- If you did not flush the water system when the refrigerator was first installed, see “Water System Preparation” for instructions on flushing the water system.

- Allow 24 hours for the refrigerator to cool down and chill water. Dispense enough water every week to maintain a fresh supply.

### Dispensing Water

1. Hold a container under the dispenser while pressing the button.
2. Release the button to stop dispensing.



### Water Filtration System (on some models)

The water filter is located in the upper right-hand corner of the refrigerator compartment.

Do not use with water that is microbiologically unsafe or of unknown quality without adequate disinfection before or after the system. Systems certified for cyst reduction may be used on disinfected waters that may contain filterable cysts.

### Water Filter Status

#### Indicator Models

- The disposable water filter should be replaced when the Replace light is lit, or at least every 6 months. If the water flow to the water dispenser or ice maker decreases noticeably before 6 months have passed, replace the water filter more often.
- After replacing the water filter, press and hold the Filter Reset touch pad for 3 seconds until the Order or Replace light turns off. See “Using the Controls.”

#### Non-Indicator Models

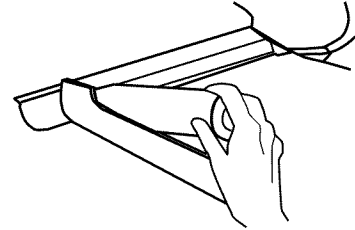
- The disposable water filter should be replaced at least every 6 months. If the water flow to the water dispenser or ice maker decreases noticeably before 6 months have passed, replace the water filter more often.

### Replacing the Water Filter

**IMPORTANT:** Air trapped in the water system may cause water and filter to eject. Always dispense water for at least 2 minutes before removing the filter or blue bypass cap.

1. Turn the used water filter counterclockwise until it releases from the filter mounting bracket.
2. Drain water from the water filter into the sink, and discard the used water filter. Wipe up the excess water in the filter cover.

3. Remove the sealing label from the end of the new water filter and insert the water filter into the filter mounting bracket. Gently rotate the water filter clockwise until it stops, and snap the filter cover closed.



4. Flush the water system. See “Water System Preparation.”
5. Inspect the water filter system for leaks. If you see water leaks, see “Troubleshooting.”

### Using the Dispenser Without a Water Filter

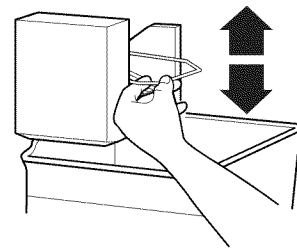
You can use the water dispenser without a water filter, but your water will not be filtered. If you choose this option, replace the water filter with the blue bypass cap.

### Ice Maker (on some models)

#### Turning the Ice Maker On/Off

To turn the ice maker ON, simply lower the wire shutoff arm. To manually turn the ice maker OFF, lift the wire shutoff arm to the OFF (arm up) position and listen for the click.

**NOTE:** Your ice maker has an automatic shutoff. As ice is made, the ice cubes will fill the ice storage bin and the ice cubes will raise the wire shutoff arm to the OFF (arm up) position. Do not force the wire shutoff arm up or down.



#### Ice Production Rate

- The ice maker should produce a complete batch of ice approximately every 3 hours.
- To increase ice production, lower the freezer and refrigerator temperature. See “Using the Controls.” Wait 24 hours between adjustments.

#### Remember

- Allow 24 hours to produce the first batch of ice. Discard the first three batches of ice produced.
- The quality of your ice will be only as good as the quality of the water supplied to your ice maker. Avoid connecting the ice maker to a softened water supply. Water softener chemicals (such as salt) can damage parts of the ice maker and lead to poor quality ice. If a softened water supply cannot be avoided, make sure the water softener is operating properly and is well maintained.
- Do not store anything on top of the ice maker or in the ice storage bin.

# REFRIGERATOR FEATURES

Your model may have some or all of these features.

## Important information to know about glass shelves and covers:

Do not clean glass shelves or covers with warm water when they are cold. Shelves and covers may break if exposed to sudden temperature changes or impact, such as bumping. Tempered glass is designed to shatter into many small, pebble-size pieces. This is normal. Glass shelves and covers are heavy. Use both hands when removing them to avoid dropping.

## Refrigerator Shelves

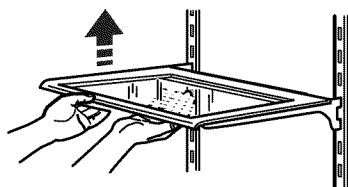
The shelves in your refrigerator are adjustable to meet your individual storage needs.

Storing similar food items together in your refrigerator and adjusting the shelves to fit different heights of items will make finding the exact item you want easier. It will also reduce the amount of time the refrigerator door is open, and save energy.

### Shelves and Shelf Frames

#### To remove and replace a shelf/shelf frame:

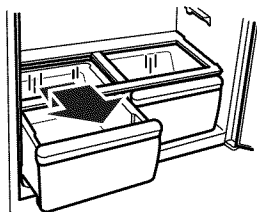
1. Remove the shelf/frame by tilting it up at the front and lifting it out of the shelf supports.
2. Replace the shelf/frame by guiding the rear shelf hooks into the shelf supports. Tilt the front of the shelf up until rear shelf hooks drop into the shelf supports.
3. Lower the front of the shelf and make sure that the shelf is in position.



## Crisper and Crisper Cover

#### To remove and replace the crisper(s):

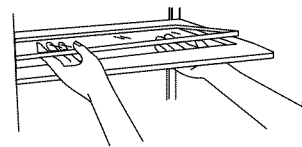
1. Slide crisper(s) straight out to the stop. Lift the front of the crisper(s) and slide out the rest of the way.
2. Replace the crisper(s) by sliding back in fully past the drawer stop.



#### To remove the crisper(s) cover:

1. Remove crisper(s).
2. Holding the glass insert firmly with one hand, press up in center of glass insert until it rises above the plastic frame. Gently slide the glass insert forward to remove.

3. Lift the cover frame up and remove it.



#### To replace crisper(s) cover:

1. Fit back of cover frame into supports on side walls of the refrigerator and lower the front of the cover frame into place.
2. Slide rear of glass insert into cover frame and lower front into place.

## Crisper Humidity Control

You can control the amount of humidity in the moisture-sealed crisper. Adjust the control to any setting between LOW and HIGH.

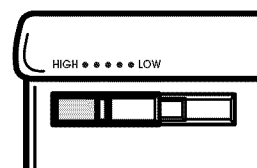
LOW (open) lets moist air out of the crisper for best storage of fruits and vegetables with skins.

- Fruit: Wash, let dry and store in refrigerator in plastic bag or crisper. Do not wash or hull berries until they are ready to use. Sort and keep berries in original container in crisper, or store in a loosely closed paper bag on a refrigerator shelf.

- Vegetables with skins: Place in plastic bags or plastic container and store in crisper.

HIGH (closed) keeps moist air in the crisper for best storage of fresh, leafy vegetables.

- Leafy vegetables: Wash in cold water, drain and trim or tear off bruised and discolored areas. Place in plastic bag or plastic container and store in crisper.



## Gourmet Pantry™ Drawer

The full-width, temperature-controlled drawer can be used to store large party trays, deli items, or beverages. For storage flexibility the drawer features a divider and an adjustable temperature control.

**NOTE:** Do not place leafy vegetables in the temperature-controlled drawer. Colder temperatures could damage leafy produce.

### Drawer Removal and Replacement

#### To remove the drawer:

1. Lift the lid. Pull the drawer out to its full extension.
2. Tilt up the front of the drawer and pull it straight out.

#### To replace the drawer:

1. Push the metal glide rails to the rear of the refrigerator.
2. Place the drawer onto the glide rails and slide the drawer toward the rear of the refrigerator.

---

## Drawer Divider

---

### To remove the divider:

1. Pull the drawer out to its full extension.
2. Lift the front of the divider to unhook it from the rear wall of the drawer and lift the divider out.

### To replace the divider:

1. Hook the back of the divider over the rear wall of the drawer.
  2. Lower the divider into place.
- 

## Drawer Temperature Control

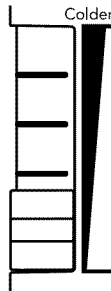
---

The temperature control, located under the lid on the right-hand side of the drawer, regulates the amount of cold air coming into the drawer.

**NOTE:** Cold air directed into the drawer can decrease the refrigerator temperature. The refrigerator temperature may need to be adjusted.

- Slide the temperature control to the least cold setting if you want the drawer to be the same temperature as the refrigerator compartment.
- Slide the temperature control to a colder setting when you want the drawer to be colder than the refrigerator compartment.

**NOTE:** Use the coldest setting when storing meats.



---

## Meat Storage Guide

---

Store most meat in original wrapping as long as it is airtight and moisture-proof. Rewrap if necessary. See the following chart for storage times. When storing meat longer than the times given, freeze the meat.

Fresh fish or shellfish.....	use same day as purchased
Chicken, ground beef, variety meats (liver) .....	1-2 days
Cold cuts, steaks/roasts.....	3-5 days
Cured meats.....	7-10 days
Leftovers - Cover leftovers with plastic wrap, aluminum foil, or plastic containers with tight lids.	

---

# DOOR FEATURES

---

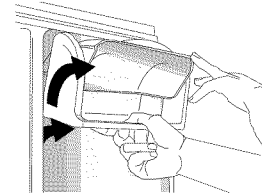
Your model may have some or all of these features.

---

## Dairy Center

### To remove and replace the dairy center:

1. Remove the dairy center by raising and holding the cover up while lifting the dairy center up and pulling it straight out.
2. Replace the dairy center by sliding it in above the desired support and pushing it down until it stops.

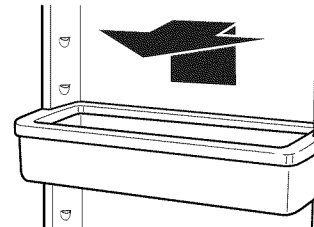


---

## Door Bins

### To remove and replace the bins:

1. Remove the bin by lifting it up and pulling it straight out.
2. Replace the bin by sliding it in above the desired support and pushing it down until it stops.



---

## Grip Pads

Grip pads help keep items from sliding in the door bins. Grip pads are removable and are top-rack dishwasher safe for easy cleaning.

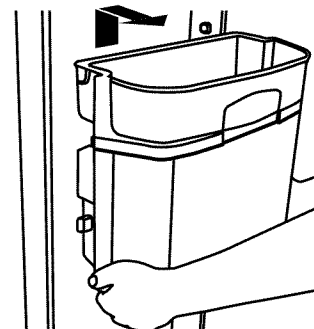
---

## Fresh-N-Ready Bin™ (on some models)

This bin keeps healthful snacks such as fresh fruits and vegetables convenient for the whole family. It includes a removable berry basket for rinsing and storing delicate items such as grapes and berries.

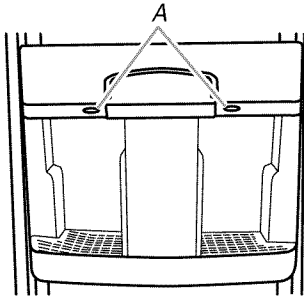
### To Remove and Replace the Bin:

1. Remove the bin by lifting it and pulling it straight out.
2. Replace the bin by sliding it in above the desired supports and pushing it down until it stops.



## To Remove and Replace the Bin Parts:

1. Press either release button to open the tilt-out portion of the bin.

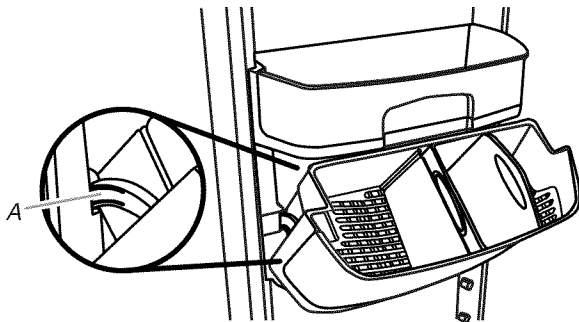


A. Release buttons

2. To remove the tilt-out portion of the bin, press in on the curved levers on each side of the bin. Pull up and out.

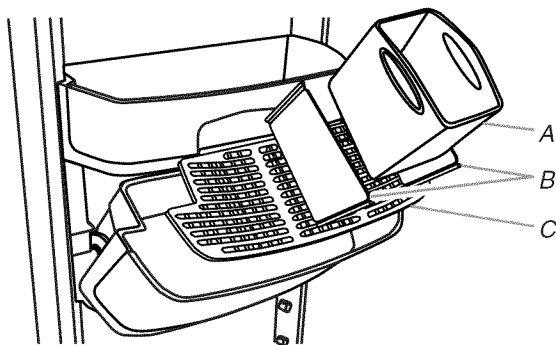
### NOTES:

- The bin can not be removed if it is tilted out all the way. Tilt it only part of the way before pressing the curved levers to remove it.
- Clean the parts as instructed in the “Cleaning” section.



A. Curved lever

3. Reinstall the tilt-out portion of the bin. Be sure it is properly seated in the bottom of the bin before inserting the curved levers into position.
4. Replace the interior parts of the bin.



A. Strainer basket  
B. Dividers  
C. Strainer mat

# REFRIGERATOR CARE

## Cleaning

### ! WARNING



### Explosion Hazard

Use nonflammable cleaner.

Failure to do so can result in death, explosion, or fire.

Both the refrigerator and freezer sections defrost automatically. However, clean both sections about once a month to avoid buildup of odors. Wipe up spills immediately.

**IMPORTANT:** Because air circulates between both sections, any odors formed in one section will transfer to the other. You must thoroughly clean both sections to eliminate odors. To avoid odor transfer and drying out of food, wrap or cover foods tightly.

### To Clean Your Refrigerator:

**NOTE:** Do not use abrasive or harsh cleaners such as window sprays, scouring cleansers, flammable fluids, cleaning waxes, concentrated detergents, bleaches or cleansers containing petroleum products on plastic parts, interior and door liners or gaskets. Do not use paper towels, scouring pads, or other harsh cleaning tools.

1. Unplug refrigerator or disconnect power.
2. Hand wash, rinse, and dry removable parts and interior surfaces thoroughly. Use a clean sponge or soft cloth and a mild detergent in warm water.
3. Wash stainless steel and painted metal exteriors with a clean sponge or soft cloth and a mild detergent in warm water.
  - To keep your stainless steel refrigerator looking like new and to remove minor scuffs or marks, it is suggested that you use the manufacturer's approved Stainless Steel Cleaner and Polish. To order the cleaner, see “Accessories.”

**IMPORTANT:** This cleaner is for stainless steel parts only!

Do not allow the Stainless Steel Cleaner and Polish to come into contact with any plastic parts such as the trim pieces, dispenser covers or door gaskets. If unintentional contact does occur, clean plastic part with a sponge and mild detergent in warm water. Dry thoroughly with a soft cloth.

4. There is no need for routine condenser cleaning in normal home operating environments. If the environment is particularly greasy or dusty, or there is significant pet traffic in the home, the condenser should be cleaned every 2 to 3 months to ensure maximum efficiency.

If you need to clean the condenser:

- Remove the base grille.
  - Use a vacuum cleaner with a soft brush to clean the grille, the open areas behind the grille and the front surface area of the condenser.
  - Replace the base grille when finished.
5. Plug in refrigerator or reconnect power.

---

## Changing the Light Bulb

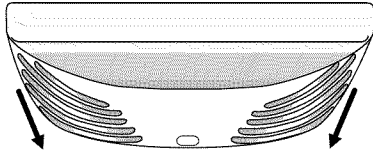
**NOTE:** Not all appliance bulbs will fit your refrigerator. Be sure to replace the bulb with an appliance bulb of the same size, shape, and wattage (no greater than 40 watts).

---

### Changing the Refrigerator Light Bulb

---

1. Unplug the refrigerator or disconnect power.
2. Slide the light shield toward the back of the compartment to release it from the light assembly.



3. Replace burned-out bulb(s) with appliance bulb(s) no greater than 40 watts.
4. Replace the light shield by inserting the tabs on the shield into the liner holes on each side of light assembly. Slide the shield toward the front until it locks into place.  
**NOTE:** To avoid damaging the light shield, do not force the shield beyond the locking point.
5. Plug in refrigerator or reconnect power.

---

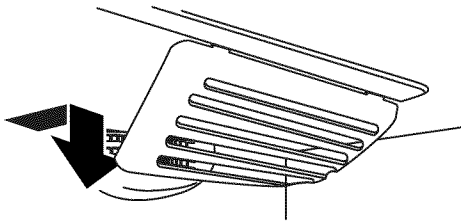
### Changing the Freezer Light Bulb

---

1. Unplug refrigerator or disconnect power.

**NOTE:** You may need to remove the upper freezer shelf or basket to access the light assembly.

2. The light shield opens from the back. Firmly press forward on the notches in the back of the shield and pull the shield down.



3. Remove the shield and replace the burned-out bulb with an appliance bulb no greater than 40 watts.
4. Insert the front tabs of the shield into the liner and snap the back portion of the shield over the light assembly.
5. Plug in refrigerator or reconnect power.

---

## Power Interruptions

If the power will be out for 24 hours or less, keep the door or doors closed (depending on your model) to help food stay cold and frozen.

If the power will be out for more than 24 hours, do one of the following:

- Remove all frozen food and store it in a frozen food locker.
- Place 2 lbs (907 g) of dry ice in the freezer for every cubic foot (28 L) of freezer space. This will keep the food frozen for 2 to 4 days.
- If neither a food locker nor dry ice is available, consume or can perishable food at once.

**REMEMBER:** A full freezer stays cold longer than a partially filled one. A freezer full of meat stays cold longer than a freezer full of baked goods. If you see that food contains ice crystals, it may be refrozen, although the quality and flavor may be affected. If the condition of the food is poor, dispose of it.

---

## Vacation and Moving Care

---

### Vacations

---

#### If You Choose to Leave the Refrigerator On While You're Away:

1. Use up any perishables and freeze other items.
2. If your refrigerator has an automatic ice maker:
  - Depending on your model, raise wire shutoff arm to OFF (up) position, or press the switch to OFF.
  - Shut off water supply to the ice maker.
3. Empty the ice bin.

#### If You Choose to Turn the Refrigerator Off Before You Leave:

1. Remove all food from the refrigerator.
2. If your refrigerator has an automatic ice maker:
  - Turn off the water supply to the ice maker at least one day ahead of time.
  - When the last load of ice drops, raise the wire shutoff arm to the OFF (up) position or press the switch to OFF, depending on your model.
3. Turn the Temperature controls off. See "Using the Control(s)."
4. Clean refrigerator, wipe it, and dry well.
5. Tape rubber or wood blocks to the tops of both doors to prop them open far enough for air to get in. This stops odor and mold from building up.

---

### Moving

---

When you are moving your refrigerator to a new home, follow these steps to prepare it for the move.

1. If your refrigerator has an automatic ice maker:
  - Turn off the water supply to the ice maker at least one day ahead of time.
  - Disconnect the water line from the back of the refrigerator.
  - When the last load of ice drops, raise the wire shutoff arm to the OFF (up) position or press the switch to OFF, depending on your model.
2. Remove all food from the refrigerator and pack all frozen food in dry ice.
3. Empty the ice bin.
4. Turn the Temperature controls off. See "Using the Control(s)."
5. Unplug refrigerator.
6. Clean, wipe, and dry thoroughly.
7. Take out all removable parts, wrap them well, and tape them together so they don't shift and rattle during the move.
8. Depending on the model, raise the front of the refrigerator so it rolls more easily OR raise the leveling screws so they don't scrape the floor. See "Adjust the Door(s)."
9. Tape the doors closed and tape the power cord to the back of the refrigerator.

When you get to your new home, put everything back and refer to the "Installation Instructions" section for preparation instructions. Also, if your refrigerator has an automatic ice maker, remember to reconnect the water supply to the refrigerator.



# TROUBLESHOOTING

Try the solutions suggested here first in order to avoid the cost of an unnecessary service call.

## Refrigerator Operation

### The refrigerator will not operate

#### **⚠ WARNING**



#### Electrical Shock Hazard

Plug into a grounded 3 prong outlet.

Do not remove ground prong.

Do not use an adapter.

Do not use an extension cord.

Failure to follow these instructions can result in death, fire, or electrical shock.

- **Power cord unplugged?** Plug into a grounded 3 prong outlet.
- **Is outlet working?** Plug in a lamp to see if the outlet is working.
- **Household fuse blown or circuit breaker tripped?** Replace the fuse or reset the circuit breaker. If the problem continues, call an electrician.
- **Are controls on?** Make sure the refrigerator controls are on. See “Using the Control(s).”
- **New installation?** Allow 24 hours following installation for the refrigerator to cool completely.

**NOTE:** Adjusting the temperature controls to coldest setting will not cool either compartment more quickly.

### The motor seems to run too much

Your new refrigerator may run longer than your old one due to its high-efficiency compressor and fans. The unit may run even longer if the room is warm, a large food load is added, doors are opened often, or if the doors have been left open.

### The refrigerator seems noisy

Refrigerator noise has been reduced over the years. Due to this reduction, you may hear intermittent noises from your new refrigerator that you did not notice from your old model. Below are listed some normal sounds with explanations.

- **Buzzing** - heard when the water valve opens to fill the ice maker
- **Pulsating** - fans/compressor adjusting to optimize performance
- **Hissing/Rattling** - flow of refrigerant, movement of water lines, or from items placed on top of the refrigerator

- **Sizzling/Gurgling** - water dripping on the heater during defrost cycle
- **Popping** - contraction/expansion of inside walls, especially during initial cool-down
- **Water running** - may be heard when ice melts during the defrost cycle and water runs into the drain pan
- **Creaking/Cracking** - occurs as ice is being ejected from the ice maker mold.

### The doors will not close completely

- **Door blocked open?** Move food packages away from door.
- **Bin or shelf in the way?** Push bin or shelf back in the correct position.

### The doors are difficult to open

#### **⚠ WARNING**



#### Explosion Hazard

Use nonflammable cleaner.

Failure to do so can result in death, explosion, or fire.

- **Gaskets dirty or sticky?** Clean gaskets and contact surfaces with mild soap and warm water. Rinse and dry with soft cloth.

## Temperature and Moisture

### Temperature is too warm

- **New installation?** Allow 24 hours following installation for the refrigerator to cool completely.
- **Door(s) opened often or left open?** Allows warm air to enter refrigerator. Minimize door openings and keep doors fully closed.
- **Large load of food added?** Allow several hours for refrigerator to return to normal temperature.
- **Controls set correctly for the surrounding conditions?** Adjust the controls a setting colder. Check temperature in 24 hours. See “Using the Control(s).”

### There is interior moisture buildup

**NOTE:** Some moisture buildup is normal.

- **Humid room?** Contributes to moisture buildup.
- **Door(s) opened often or left open?** Allows humid air to enter refrigerator. Minimize door openings and keep doors fully closed.

---

## Ice and Water

---

---

### The ice maker is not producing ice or not enough ice

---

- **Refrigerator connected to a water supply and the supply shutoff valve turned on?** Connect refrigerator to water supply and turn water shutoff valve fully open.
- **Kink in the water source line?** A kink in the line can reduce water flow. Straighten the water source line.
- **Ice maker turned on?** Make sure wire shutoff arm or switch (depending on model) is in the ON position.
- **New installation?** Wait 24 hours after ice maker installation for ice production to begin. Wait 72 hours for full ice production.
- **Freezer door closed completely?** Firmly close the freezer compartment door. If the freezer compartment door will not close all the way, see “The doors will not close completely,” earlier in this section.
- **Large amount of ice recently removed?** Allow 24 hours for ice maker to produce more ice.
- **Ice cube jammed in the ice maker ejector arm?** Remove ice from the ejector arm with a plastic utensil.
- **Water filter installed on the refrigerator?** Remove filter and operate ice maker. If ice volume improves, then the filter may be clogged or incorrectly installed. Replace filter or reinstall it correctly.
- **Reverse osmosis water filtration system connected to your cold water supply?** This can decrease water pressure. See “Water Supply Requirements.”

---

### The ice cubes are hollow or small

---

**NOTE:** This is an indication of low water pressure.

- **Water shutoff valve not fully open?** Turn the water shutoff valve fully open.
- **Kink in the water source line?** A kink in the line can reduce water flow. Straighten the water source line.
- **Water filter installed on the refrigerator?** Remove filter and operate ice maker. If ice quality improves, then the filter may be clogged or incorrectly installed. Replace filter or reinstall it correctly.
- **Reverse osmosis water filtration system connected to your cold water supply?** This can decrease water pressure. See “Water Supply Requirements.”
- **Questions remain regarding water pressure?** Call a licensed, qualified plumber.

---

### Off-taste, odor or gray color in the ice

---

- **New plumbing connections?** New plumbing connections can cause discolored or off-flavored ice.
- **Ice stored too long?** Discard ice. Wash ice bin. Allow 24 hours for ice maker to make new ice.
- **Odor transfer from food?** Use airtight, moisture proof packaging to store food.
- **Are there minerals (such as sulfur) in the water?** A water filter may need to be installed to remove the minerals.
- **Water filter installed on the refrigerator?** Gray or dark discoloration in ice indicates that the water filtration system needs additional flushing. Flush the water system before using a new water filter. Replace water filter when indicated. See “Water Filtration System.”

---

### The water dispenser will not operate properly

---

- **Refrigerator connected to a water supply and the supply shutoff valve turned on?** Connect refrigerator to water supply and turn water shutoff valve fully open.
- **Kink in the water source line?** Straighten the water source line.
- **New installation?** Flush and fill the water system. See “Water Dispenser.”
- **Is the water pressure at least 35 psi (241 kPa)?** The water pressure to the home determines the flow from the dispenser. See “Water Supply Requirements.”
- **Water filter installed on the refrigerator?** Remove filter and operate dispenser. If water flow increases, the filter may be clogged or incorrectly installed. Replace filter or reinstall it correctly.
- **Refrigerator door closed completely?** Close the door firmly. If it does not close completely, see “The doors will not close completely,” earlier in this section.
- **Recently removed the doors?** Make sure the water dispenser wire/tube assembly has been properly reconnected. See “Refrigerator Door(s) and Drawer.”
- **Reverse osmosis water filtration system connected to your cold water supply?** This can decrease water pressure. See “Water Supply Requirements.”

---

### Water is leaking from the dispenser system

---

**NOTE:** One or two drops of water after dispensing is normal.

- **Glass not being held under the dispenser long enough?** Hold the glass under the dispenser 2 to 3 seconds after releasing the dispenser lever.
- **New installation?** Flush the water system. See “Water Dispenser.”
- **Recently changed water filter?** Flush the water system. See “Water Dispenser.”
- **Water on the floor near the base grille?** Make sure the water dispenser tube connections are fully tightened. See “Refrigerator Door(s) and Drawer.”

---

### Water from the dispenser is warm

---

**NOTE:** Water from the dispenser is only chilled to 50°F (10°C).

- **New installation?** Allow 24 hours after installation for the water supply to cool completely.
- **Recently dispensed large amount of water?** Allow 24 hours for water supply to cool completely.
- **Water not been recently dispensed?** The first glass of water may not be cool. Discard the first glass of water.
- **Refrigerator connected to a cold water pipe?** Make sure the refrigerator is connected to a cold water pipe. See “Water Supply Requirements.”

# PROTECTION AGREEMENTS

## Master Protection Agreements

Congratulations on making a smart purchase. Your new Kenmore® product is designed and manufactured for years of dependable operation. But like all products, it may require preventive maintenance or repair from time to time. That's when having a Master Protection Agreement can save you money and aggravation.

The Master Protection Agreement also helps extend the life of your new product. Here's what the Agreement\* includes:

- ✓ **Parts and labor** needed to help keep products operating properly **under normal use**, not just defects. Our coverage goes **well beyond the product warranty**. No deductibles, no functional failure excluded from coverage— **real protection**.
- ✓ **Expert service** by a force of more than 10,000 authorized **Sears service technicians**, which means someone you can trust will be working on your product.
- ✓ **Unlimited service calls and nationwide service**, as often as you want us, whenever you want us.
- ✓ **"No-lemon" guarantee** – replacement of your covered product if four or more product failures occur within twelve months.
- ✓ **Product replacement** if your covered product can't be fixed.
- ✓ **Annual Preventive Maintenance Check** at your request – no extra charge.
- ✓ **Fast help by phone** – we call it **Rapid Resolution** – phone support from a Sears representative on all products. Think of us as a "talking owner's manual."
- ✓ **Power surge protection** against electrical damage due to power fluctuations.
- ✓ **\$250 Food Loss Protection** annually for any food spoilage that is the result of mechanical failure of any covered refrigerator or freezer.
- ✓ **Rental reimbursement** if repair of your covered product takes longer than promised.
- ✓ **10% discount** off the regular price of any non-covered repair service and related installed parts.

Once you purchase the Agreement, a simple phone call is all that it takes for you to schedule service. You can call anytime day or night, or schedule a service appointment online.

The Master Protection Agreement is a risk free purchase. If you cancel for any reason during the product warranty period, we will provide a full refund. Or, a prorated refund anytime after the product warranty period expires. Purchase your Master Protection Agreement today!

**Some limitations and exclusions apply. For prices and additional information in the U.S.A. call 1-800-827-6655.**

**\*Coverage in Canada varies on some items. For full details call Sears Canada at 1-800-361-6665.**

## Sears Installation Service

For Sears professional installation of home appliances, garage door openers, water heaters, and other major home items, in the U.S.A. or Canada call **1-800-4-MY-HOME®**.

# ACCESSORIES

## Replacement Parts:

To order stainless steel cleaner or replacement filters, call **1-800-4-MY-HOME®** and ask for the appropriate part number or contact your authorized Kenmore dealer.

## Stainless Steel Cleaner and Polish:

Order Part #D22 M40083 R

## Replacement Filter:

Order Part #469006-750

# WATER FILTER CERTIFICATIONS

State of California  
Department of Public Health  
Water Treatment Device  
Certificate Number  
03 - 1583

Date Issued: September 16, 2008  
Date Revised: April 22, 2009

<u>Trademark/Model Designation</u>	<u>Replacement Elements</u>
UKF8001AXX-750	UKF8001
46 9006-750	46 9006
67003523-750	UKF8001

Manufacturer: Cuno Inc.

The water treatment device(s) listed on this certificate have met the testing requirements pursuant to Section 116830 of the Health and Safety Code for the following health related contaminants:

<u>Microbiological Contaminants and Turbidity</u>	<u>Inorganic/Radiological Contaminants</u>
Cysts	Asbestos
Turbidity	Lead
	Mercury
<u>Organic Contaminants</u>	
Atrazine	
Lindane	
Benzene	
Carbofuran	
p-dichlorobenzene	
Toxaphene	
Tetrachloroethylene	

Rated Service Capacity: 750 gal.

Rated Service Flow: 0.78 gpm

### Conditions of Certification:

Do not use where water is microbiologically unsafe or with water of unknown quality, except that systems certified for cyst reduction may be used on disinfected waters that may contain filterable cysts.

ENGLISH

# PRODUCT DATA SHEETS

## Interior Water Filtration System Model 46 9006-750 Capacity 750 Gallons (2839 Liters)



System tested and certified by NSF International against NSF/ANSI Standard 42 for the reduction of Chlorine Taste and Odor, Particulate Class I\*; and against NSF/ANSI Standard 53 for the reduction of Lead, Mercury, Atrazine, Benzene, p-Dichlorobenzene, Carbofuran, Toxaphene, Cysts, Turbidity, Asbestos, Tetrachloroethylene and Lindane.

This system has been tested according to NSF/ANSI Standards 42 and 53 for the reduction of the substances listed below. The concentration of the indicated substances in water entering the system was reduced to a concentration less than or equal to the permissible limit for water leaving the system, as specified in NSF/ANSI Standards 42 and 53.

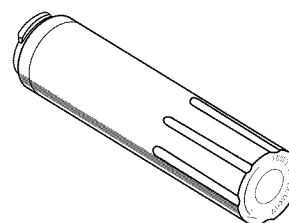
Substance Reduction Aesthetic Effects	NSF Reduction Requirements	Average Influent	Influent Challenge Concentration	Maximum Effluent	Average Effluent	Minimum% Reduction	Average% Reduction
Chlorine Taste/Odor Particulate Class I*	50% reduction 85% reduction	2.00 mg/L 14,000,000 #/mL	2.0 mg/L ± 10% At least 10,000 particles/mL	0.06 mg/L 370,000 #/mL**	0.050625 mg/L 196,666 #/mL	97.00% 97.40%	97.52% 99.00%
Contaminant Reduction	NSF Reduction Requirements	Average Influent	Influent Challenge Concentration	Maximum Effluent	Average Effluent	Minimum% Reduction	Average% Reduction
Lead: @ pH 6.5 Lead: @ pH 8.5	0.010 mg/L 0.010 mg/L	0.150 mg/L† 0.150 mg/L†	0.15 mg/L ± 10% 0.15 mg/L ± 10%	< 0.001 mg/L < 0.001 mg/L	< 0.001 mg/L < 0.001 mg/L	>99.30% >99.30%	>99.30% >99.30%
Mercury: @ pH 6.5 Mercury: @ pH 8.5	0.002 mg/L 0.002 mg/L	0.006 mg/L 0.0059 mg/L	0.006 mg/L ± 10% 0.006 mg/L ± 10%	0.0005 mg/L 0.0018 mg/L	0.0003 mg/L 0.00073 mg/L	91.70% 69.20%	95.00% 88.10%
Benzene	0.005 mg/L	0.0133 mg/L	0.015 mg/L ± 10%	0.0005 mg/L	0.0005 mg/L	96.10%	96.30%
p-Dichlorobenzene	0.075 mg/L	0.210 mg/L	0.225 mg/L ± 10%	< 0.0005 mg/L	< 0.0005 mg/L	>99.80%	>99.80%
Carbofuran	0.040 mg/L	0.0753 mg/L	0.08 mg/L ± 10%	0.027 mg/L	0.008 mg/L	64.60%	73.45%
Toxaphene	0.003 mg/L	0.015 mg/L	0.015 ± 10%	< 0.001 mg/L	< 0.001 mg/L	>93.3%	>93.3%
Atrazine	0.003 mg/L	0.0102 mg/L	0.009 mg/L ± 10%	0.0027 mg/L	0.00105 mg/L	76.30%	89.40%
Asbestos	>99%	126.5 MF/L	10 <sup>7</sup> to 10 <sup>8</sup> fibers/L††	< 0.17 MF/L	< 0.17 MF/L	>99.99%	>99.99%
Live Cysts‡ Turbidity	>99.95% 0.5 NTU	122,500 #/L 10.5 NTU	50,000/L min. 11 ± 1 NTU	< 1 #/L‡ 0.30 NTU	< 1 #/L‡ 0.125 NTU	>99.99% 97.30%	>99.99% 98.80%
Lindane	0.0002 mg/L	0.0019 mg/L	0.002 ± 10%	< 0.00016 mg/L	0.000035 mg/L	91.80%	97.90%
Tetrachloroethylene	0.005 mg/L	0.015 mg/L	0.015 mg/L ± 10%	< 0.0005 mg/L	< 0.0005 mg/L	>96.6%	>96.6%

Test Parameters: pH = 7.5 ± 0.5 unless otherwise noted. Flow = 0.78 gpm (2.9 Lpm). Pressure = 60 psig (413.7 kPa). Temp. = 68°F ± 5°F (20°C ± 3°C).

- It is essential that operational, maintenance, and filter replacement requirements be carried out for the product to perform as advertised.
- The disposable water filter should be replaced at least every 6 months.
- The filter monitor system measures the amount of water that passes through the filter and alerts you to replace the filter. When 90% of the filter's rated life is used, the yellow (Order) light comes on. When 100% of the filter's rated life is used, the red (Replace) light comes on, and it is recommended that you replace the filter. For models without filter status lights, replace the filter every 6 months. Use replacement filter model 46 9006-750. 2009 suggested retail price of \$44.99 U.S.A./\$49.95 Canada. Prices are subject to change without notice.
- The product is for cold water use only.
- Do not use with water that is microbiologically unsafe or of unknown quality without adequate disinfection before or after the system. Systems certified for cyst reduction may be used on disinfected waters that may contain filterable cysts.
- Refer to the "Water Filtration System" section for the Manufacturer's name and telephone number.
- Refer to the "Warranty" section for the Manufacturer's limited warranty.

### Application Guidelines/Water Supply Parameters

Water Supply	City or Well
Water Pressure	35 - 120 psi (241 - 827 kPa)
Water Temperature	33° - 100°F (1° - 38°C)
Service Flow Rate	0.78 gpm (2.9 L/min.) @ 60 psi



\*Class I particle size: >0.5 to <1 um

\*\*Test requirement is at least 100,000 particles/mL of AC Fine Test Dust.

†These contaminants are not necessarily in your water supply. Performance may vary based on local water conditions.

††Fibers greater than 10 um in length

‡Based on the use of Cryptosporidium parvum oocysts

# ÍNDICE

<b>GARANTÍA</b> .....	<b>22</b>	<b>CARACTERÍSTICAS DE LA PUERTA</b> .....	<b>36</b>
<b>SEGURIDAD DEL REFRIGERADOR</b> .....	<b>23</b>	Centro de productos lácteos .....	36
Cómo deshacerse adecuadamente de su refrigerador viejo.....	23	Recipientes de la puerta .....	36
<b>INSTRUCCIONES DE INSTALACIÓN</b> .....	<b>24</b>	Tapetes antideslizantes .....	36
Desempaque el refrigerador .....	24	Recipiente Fresh-N-Ready™.....	36
Requisitos de ubicación .....	24	<b>CUIDADO DE SU REFRIGERADOR</b> .....	<b>37</b>
Requisitos eléctricos.....	25	Limpieza .....	37
Requisitos del suministro de agua .....	25	Cómo cambiar el foco.....	37
Conecte el suministro de agua.....	25	Cortes de corriente .....	38
Cajón y puerta(s) del refrigerador .....	27	Cuidado durante las vacaciones y mudanzas.....	38
Ajuste las puertas.....	30	<b>SOLUCIÓN DE PROBLEMAS</b> .....	<b>39</b>
Preparación del sistema de agua .....	30	Funcionamiento del refrigerador.....	39
<b>USO DE SU REFRIGERADOR</b> .....	<b>31</b>	Temperatura y humedad.....	39
Cómo abrir y cerrar las puertas .....	31	Hielo y agua.....	40
Uso de los controles .....	31	<b>CONTRATOS DE PROTECCIÓN</b> .....	<b>41</b>
Despachador de agua .....	33	<b>ACCESORIOS</b> .....	<b>41</b>
Sistema de filtración de agua .....	33	<b>HOJA DE DATOS DEL PRODUCTO</b> .....	<b>42</b>
Fábrica de hielo.....	34	<b>NÚMEROS DE SERVICIO</b> .....	<b>CONTRAPORTADA</b>
<b>CARACTERÍSTICAS DEL REFRIGERADOR</b> .....	<b>34</b>		
Estantes del refrigerador.....	34		
Cajón para verduras y tapa .....	34		
Control de humedad del cajón para verduras.....	35		
Cajón Gourmet Pantry™ .....	35		

# GARANTÍA LIMITADA DE KENMORE

Cuando este electrodoméstico haya sido instalado, operado y mantenido según las instrucciones provistas con el producto, si este electrodoméstico falla por defectos de material o de mano de obra dentro de un año a partir de la fecha de compra, llame al 1-800-4-MY-HOME® para gestionar la reparación libre de cargo.

Si el sistema de refrigeración sellado es defectuoso dentro de los cinco años de la fecha de compra, llame al 1-800-4-MY-HOME® para solicitar la reparación libre de cargo.

Esta garantía sólo tiene vigencia durante 90 días a partir de la fecha de compra si este aparato se ha usado alguna vez para fines diferentes de los privados de una familia.

**Esta garantía cubre solamente los defectos de material y mano de obra. Sears NO pagará por lo siguiente:**

1. Los artículos no reutilizables que pueden gastarse por el uso normal, incluyendo, pero sin limitación, filtros, correas, focos y bolsas.
2. Un técnico de servicio para enseñarle al usuario cómo instalar, operar o mantener el producto adecuadamente.
3. Un técnico de servicio para limpiar o mantener este producto.
4. Daños a este producto o fallas del mismo en caso de no ser instalado, operado o mantenido conforme a todas las instrucciones provistas con el producto.
5. Daños a este producto o fallas del mismo como resultado de accidente, abuso, uso indebido o un uso diferente de aquel para el cual fue creado.
6. Daños a este producto o fallas del mismo causados por el uso de detergentes, limpiadores, productos químicos o utensilios diferentes de los recomendados en todas las instrucciones provistas con el producto.
7. Daños a piezas o sistemas o fallas de los mismos como resultado de modificaciones no autorizadas que se hayan efectuado en este producto.

## Exclusión de garantías implícitas; limitación de recursos

El único y exclusivo recurso del cliente según los términos de esta garantía limitada será el de reparar el producto según se estipula en la presente. Las garantías implícitas, incluyendo las garantías de comerciabilidad o de capacidad para un propósito particular, serán limitadas a un año o al período más corto permitido por ley. Sears no se hará responsable por daños incidentales o consecuentes. Algunos estados y provincias no permiten la exclusión o limitación de daños incidentales o consecuentes, o limitación acerca de cuánto debe durar una garantía implícita de comerciabilidad o capacidad, de modo que las limitaciones o exclusiones arriba mencionadas pueden no aplicarse en su caso.

Esta garantía se aplica sólo mientras este aparato se use en los Estados Unidos o en Canadá.

Esta garantía le otorga derechos legales específicos, y es posible que usted tenga también otros derechos, los cuales varían de un estado a otro.

**Sears, Roebuck and Co.  
Hoffman Estates, IL 60179**

**Sears Canada Inc.  
Toronto, Ontario, Canada M5B 2B8**

## REGISTRO DEL PRODUCTO

Anote el número completo de modelo y serie así como la fecha de compra. Usted puede encontrar esta información en la etiqueta con el número de modelo y de serie ubicada en el producto.

Tenga esta información disponible para facilitarle la obtención de asistencia o servicio con prontitud siempre que llame a Sears con respecto a su electrodoméstico.

Número de modelo \_\_\_\_\_. \_\_\_\_\_

Número de serie \_\_\_\_\_

Fecha de compra \_\_\_\_\_

**Guarde estas instrucciones y su comprobante de compra para referencia futura.**

# SEGURIDAD DEL REFRIGERADOR

## Su seguridad y la seguridad de los demás es muy importante.

Hemos incluido muchos mensajes importantes de seguridad en este manual y en su electrodoméstico. Lea y obedezca siempre todos los mensajes de seguridad.



Este es el símbolo de advertencia de seguridad.

Este símbolo le llama la atención sobre peligros potenciales que pueden ocasionar la muerte o una lesión a usted y a los demás.

Todos los mensajes de seguridad irán a continuación del símbolo de advertencia de seguridad y de la palabra "PELIGRO" o "ADVERTENCIA". Estas palabras significan:

**⚠ PELIGRO**

Si no sigue las instrucciones de inmediato, usted puede morir o sufrir una lesión grave.

**⚠ ADVERTENCIA**

Si no sigue las instrucciones, usted puede morir o sufrir una lesión grave.

Todos los mensajes de seguridad le dirán el peligro potencial, le dirán cómo reducir las posibilidades de sufrir una lesión y lo que puede suceder si no se siguen las instrucciones.

## INSTRUCCIONES IMPORTANTES DE SEGURIDAD

**ADVERTENCIA:** Para reducir el riesgo de incendio, choque eléctrico, o lesiones personales al usar su refrigerador siga estas precauciones básicas:

- Conecte a un contacto de pared de conexión a tierra de 3 terminales.
- No use un adaptador.
- No quite la terminal de conexión a tierra.
- No use un cable eléctrico de extensión.
- Desconecte el suministro de energía antes de darle servicio.
- Vuelva a colocar todos los componentes y paneles antes de hacerlo funcionar.
- Remueva las puertas de su refrigerador viejo.
- Use un limpiador no inflamable.
- Mantenga los materiales y vapores inflamables, tales como gasolina, alejados del refrigerador.
- Use dos o más personas para mover e instalar el refrigerador.
- Desconecte el suministro de energía antes de instalar la fábrica de hielo (en aquellos modelos que incluyen el juego de instalación de la fábrica de hielo).
- Use un vaso resistente para recibir hielo del despachador (en algunos modelos).
- No golpee las puertas de vidrio del refrigerador (en algunos modelos).

### CONSERVAR ESTAS INSTRUCCIONES

## Cómo deshacerse adecuadamente de su refrigerador viejo

**⚠ ADVERTENCIA**

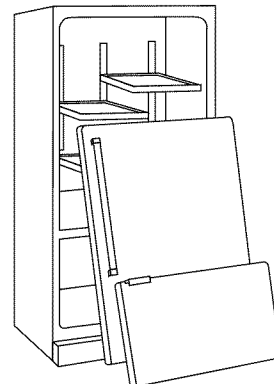
**Peligro de Asfixia**

Remueva las puertas de su refrigerador viejo.

No seguir esta instrucción puede ocasionar la muerte o daño al cerebro.

### Antes de tirar su viejo refrigerador o congelador:

- Saque las puertas.
- Deje los estantes en su lugar, así los niños no pueden meterse adentro con facilidad.



**IMPORTANTE:** El atrapamiento y asfixia de niños no es un problema del pasado. Los refrigeradores tirados y abandonados son un peligro, aun si van a quedar ahí "por unos pocos días". Si Ud. está por deshacerse de su refrigerador viejo, por favor siga las instrucciones que se dan a continuación para prevenir accidentes.

# INSTRUCCIONES DE INSTALACIÓN

## Desempaque el refrigerador

### ⚠️ ADVERTENCIA

#### Peligro de Peso Excesivo

Use dos o más personas para mover e instalar el refrigerador.

No seguir esta instrucción puede ocasionar una lesión en la espalda u otro tipo de lesiones.

## Cómo quitar los materiales de empaque

- Quite los restos de cinta y goma de las superficies de su refrigerador antes de encenderlo. Frote un poco de detergente líquido para vajillas sobre el adhesivo con los dedos. Limpie con agua tibia y seque.
- No use instrumentos filosos, alcohol para fricciones, líquidos inflamables o productos de limpieza abrasivos para eliminar los restos de cinta o goma. Estos productos pueden dañar la superficie de su refrigerador. Para más información, vea "Seguridad del refrigerador".
- Deshágase de todos los materiales de embalaje o recíclelos.

### Cómo mover su refrigerador:

Su refrigerador es pesado. Cuando mueva el refrigerador para limpiarlo o para darle servicio, cerciódese de cubrir el piso con cartón o madera para evitar daños en el mismo. Al mover el refrigerador, siempre tire directamente hacia afuera. No menee el refrigerador de lado a lado ni lo haga "caminar" cuando lo trate de mover ya que podría dañar el piso.

## Limpeza antes del uso

Una vez que usted haya quitado todos los materiales de empaque, limpie el interior de su refrigerador antes de usarlo. Vea las instrucciones de limpieza en "Cuidado de su refrigerador".

### Información importante para saber acerca de los estantes y tapas de vidrio:

No limpie los estantes y tapas de vidrio con agua caliente mientras están fríos. Los estantes y tapas pueden romperse si se exponen a cambios bruscos de temperatura o impacto, como sería un golpe brusco. El vidrio templado se ha diseñado para hacerse añicos. Esto es normal. Los estantes y tapas de vidrio son muy pesados. Use ambas manos al sacarlos para evitar que se caigan.

## Requisitos de ubicación

### ⚠️ ADVERTENCIA



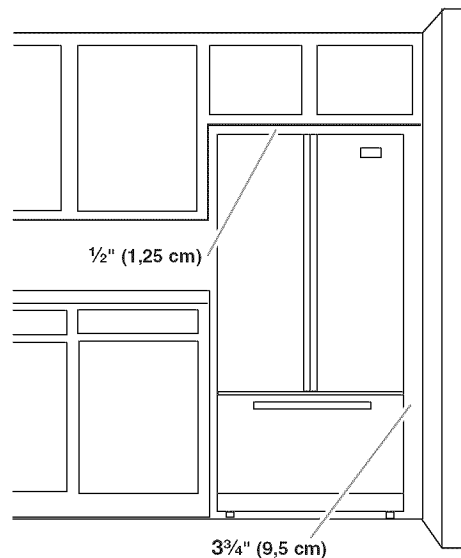
#### Peligro de Explosión

Mantenga los materiales y vapores inflamables, tales como gasolina, alejados del refrigerador.

No seguir esta instrucción puede ocasionar la muerte, explosión, o incendio.

Para asegurar la ventilación adecuada de su refrigerador, deje un espacio de  $\frac{1}{2}$ " (1,25 cm) en la parte superior y trasera del refrigerador. Si su refrigerador tiene fábrica de hielo, asegúrese que hay espacio adicional atrás para las conexiones de la línea de agua. Cuando instale el refrigerador próximo a una pared fija, deje un espacio mínimo de  $3\frac{3}{4}$ " (9,5 cm) entre el refrigerador y la pared, para permitir que la puerta se abra bien.

**NOTA:** No se recomienda instalar el refrigerador cerca de un horno, radiador u otra fuente de calor. No instale el refrigerador en un lugar donde la temperatura puede ser menor de 55°F (13°C).





## Requisitos eléctricos

### ⚠ ADVERTENCIA



#### Peligro de Choque Eléctrico

Conecte a un contacto de pared de conexión a tierra de 3 terminales.

No quite la terminal de conexión a tierra.

No use un adaptador.

No use un cable eléctrico de extensión.

No seguir estas instrucciones puede ocasionar la muerte, incendio o choque eléctrico.

Antes de mover el refrigerador a su posición definitiva, es importante asegurarse que Ud. tiene la conexión eléctrica adecuada.

#### Método de conexión a tierra recomendado

Se requiere una fuente de energía eléctrica de 115 Voltios, 60 Hz., CA solamente y con fusibles de 15 ó 20 amperios, debidamente conectada a tierra. Se recomienda que se use un circuito separado sólo para su refrigerador. Use un tomacorriente que no se puede apagar con un interruptor. No use un cable eléctrico de extensión.

**NOTA:** Antes de realizar cualquier tipo de instalación, limpieza o de quitar un foco de luz, APAGUE el enfriamiento, y luego desconecte el refrigerador de la fuente de energía. Cuando Ud. haya terminado, reconecte el refrigerador a la fuente de energía eléctrica y ENCIENDA el enfriamiento. Vea "Uso de los controles".

## Requisitos del suministro de agua

Reúna las herramientas y piezas necesarias antes de comenzar la instalación. Lea y siga las instrucciones provistas con cualquiera de las herramientas enlistadas aquí.

#### HERRAMIENTAS NECESARIAS:

- Destornillador de hoja plana
- Llave de tuercas de 1/4"
- Llaves de boca de 7/16" y 1/2" o dos llaves ajustables
- Broca de 1/4"
- Taladro inalámbrico

#### IMPORTANTE:

- Todas las instalaciones deben hacerse de acuerdo a los requisitos locales de plomería.
- No use una válvula perforadora o una válvula de montura de 3/16" (4,76 mm), la cual reduce el flujo de agua y se obstruye con más facilidad.
- Use tubería de cobre y revise si hay fugas. Instale la tubería de cobre sólo en áreas donde la temperatura vaya a permanecer por encima del punto de congelación.
- Para modelos con filtros de agua, el filtro de agua desechable deberá reemplazarse por lo menos cada 6 meses.

## Presión del agua

Se necesita un suministro de agua fría con presión de agua entre 35 y 120 lbs/pulg<sup>2</sup> (241 y 827 kPa) para hacer funcionar el despachador de agua y la fábrica de hielo. Si tiene preguntas acerca de la presión del agua, llame a un plomero competente autorizado.

#### Suministro de agua por ósmosis inversa

**IMPORTANTE:** La presión del suministro de agua que sale de un sistema de ósmosis inversa y va a la válvula de entrada de agua del refrigerador necesitará ser entre 35 y 120 lbs/pulg<sup>2</sup> (241 y 827 kPa).

Si se conecta un sistema de filtración de agua de ósmosis inversa al suministro de agua fría, la presión de agua al sistema de ósmosis inversa necesitará ser de un mínimo de 40 a 60 lbs/pulg<sup>2</sup> (276 a 414 kPa).

Si la presión de agua hacia el sistema de ósmosis inversa es menor de 40 a 60 lbs/pulg<sup>2</sup> (276 a 414 kPa):

- Verifique si el filtro de sedimentos en el sistema de ósmosis inversa está bloqueado. Reemplácelo si fuera necesario.
- Deje que se vuelva a llenar el tanque de almacenaje del sistema de ósmosis inversa después del uso intenso.
- Si su refrigerador tiene un filtro de agua, se podrá reducir la presión aún más si se usa en conjunto con un sistema de ósmosis inversa. Saque el filtro de agua. Vea "Sistema de filtración de agua".

Si tiene preguntas acerca de la presión del agua, llame a un plomero competente autorizado.

## Conecte el suministro de agua

Lea todas las instrucciones antes de comenzar.

**IMPORTANTE:** Si enciende el refrigerador antes de conectar la tubería de agua, APAGUE la fábrica de hielo.

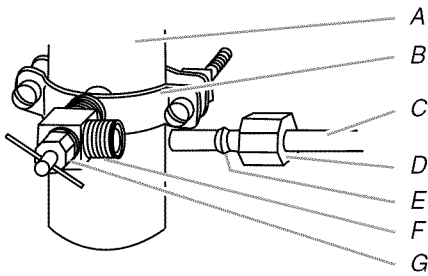
#### Conexión a la línea de agua

1. Desenchufe el refrigerador o desconecte el suministro de energía.
2. CIERRE el suministro principal de agua. ABRA la llave de agua más cercana el tiempo suficiente para que la tubería de agua se vacíe.
3. Localice una tubería de agua fría vertical de 1/2" a 1 1/4" (12,7 mm a 31,8 mm) cerca del refrigerador.

#### IMPORTANTE:

- Asegúrese de que sea una tubería de agua fría.
  - Una tubería horizontal funcionará, pero debe seguirse el procedimiento indicado a continuación: taladre por el lado de arriba de la tubería, no por debajo. Esto ayudará a mantener el agua alejada del taladro. Esto también evita que se acumule el sedimento normal en la válvula.
4. Determine la longitud de la tubería de cobre que necesite. Mida desde la conexión de la parte trasera del refrigerador hasta la tubería de agua. Agregue 7 pies (2,1 m) para poder mover el refrigerador para limpiarlo. Use tubería de cobre de 1/4" (6,35 mm) de diámetro externo. Asegúrese que ambos extremos de la tubería de cobre están cortados a escuadra.

- Usando un taladro inalámbrico, taladre un orificio de 1/4" en la tubería de agua fría que ha seleccionado.



- |                            |                        |
|----------------------------|------------------------|
| A. Tubería de agua fría    | E. Manga de compresión |
| B. Abrazadera para tubería | F. Válvula de cierre   |
| C. Tubería de cobre        | G. Tuerca de presión   |
| D. Tuerca de compresión    |                        |

- Afiance la válvula de cierre a la tubería de agua fría con la abrazadera para tubería. Asegúrese de que el extremo de salida se encuentre sujeto firmemente en el orificio taladrado de 1/4" en la tubería de agua y que la arandela está bajo la abrazadera de la tubería. Apriete la tuerca de presión. Apriete los tornillos de la abrazadera para tubería lentamente y en forma pareja de manera que la arandela provea un cierre hermético. No apriete demasiado.
- Deslice la manga de compresión y la tuerca de compresión sobre la tubería de cobre como se muestra. Inserte el extremo de la tubería en el extremo de salida en forma pareja hasta donde sea posible. Atornille la tuerca de compresión en el extremo de salida usando la llave de tuercas ajustable. No apriete demasiado porque se puede quebrar la tubería de cobre.
- Coloque el extremo libre de la tubería en un recipiente o fregadero y ABRA el suministro principal de agua. Enjuague la tubería hasta que el agua salga limpia. CIERRE la válvula de cierre de la tubería de agua.

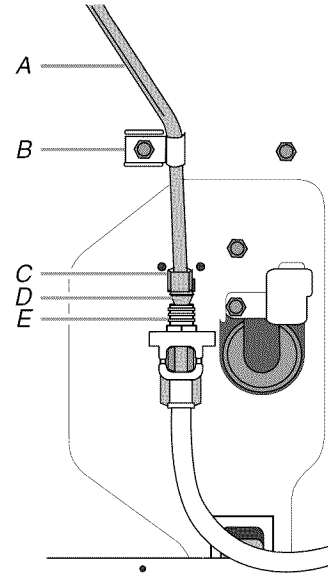
### Conexión al refrigerador

Dependiendo de su modelo, la línea de agua puede bajar de la parte superior o subir de la parte inferior. Siga las instrucciones de conexión para su modelo.

#### Estilo 1

- Quite la tapa de plástico del puerto de entrada de la válvula de agua. Fije el tubo de cobre a la entrada de la válvula usando una tuerca de compresión y manga de compresión como se muestra. Ajuste la tuerca de compresión como se muestra. No apriete demasiado. Verifique que la tubería de cobre esté segura, jalándola.

- Haga un lazo de servicio con la tubería de cobre. Evite torceduras al enrollar la tubería de cobre. Asegure la tubería de cobre a la carcasa del refrigerador con una abrazadera en "P".

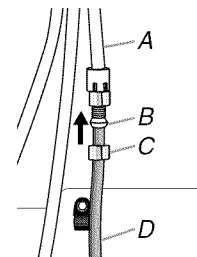


- |                         |  |
|-------------------------|--|
| A. Tubería de cobre     | D. Manga de compresión                     |
| B. Abrazadera en "P"    | E. Puerto de entrada de la válvula de agua |
| C. Tuerca de compresión |  |

- Abra el suministro de agua al refrigerador y revise si hay fugas de agua. Tape cualquier fuga que encuentre.

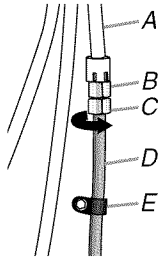
#### Estilo 2

- Haga un lazo de servicio (diámetro mínimo de 2 pies [61 cm]) con la tubería de cobre. Evite torceduras al enrollar la tubería de cobre.
- Quite la tapa de plástico del puerto de entrada de la válvula de agua. Coloque una manga y tuerca de compresión en la tubería de cobre.
- Introduzca el extremo de la tubería de cobre al puerto de entrada de la válvula de agua. Moldee ligeramente la tubería de tal forma que la tubería entre de forma recta al puerto para evitar torceduras.
- Deslice la tuerca de compresión sobre la manga y atornille en el puerto de entrada de la válvula de agua.



- |                                |                         |
|--------------------------------|-------------------------|
| A. Tubería de agua de plástico | C. Tuerca de compresión |
| B. Manga                       | D. Tubería de cobre     |

- Con una llave de tuercas ajustable, sostenga la tuerca sobre la línea de agua de plástico para evitar que se mueva. Luego, con una segunda llave, gire la tuerca de compresión que está en la tubería de cobre, en el sentido contrario de las manecillas del reloj para apretar completamente. No apriete demasiado.



A. Línea de agua de plástico  
 B. Puerto de entrada de la válvula de agua  
 C. Tuerca de compresión  
 D. Tubería de cobre  
 E. Abrazadera en "P"

- Verifique la conexión jalando la tubería de cobre. Sujete la tubería de cobre a la carcasa del refrigerador con una abrazadera en "P". Abra el suministro de agua al refrigerador y revise si hay fugas de agua. Tape cualquier fuga que encuentre.

### Complete la instalación

## ⚠ ADVERTENCIA



### Peligro de Choque Eléctrico

Conecte a un contacto de pared de conexión a tierra de 3 terminales.

No quite la terminal de conexión a tierra.

No use un adaptador.

No use un cable eléctrico de extensión.

No seguir estas instrucciones puede ocasionar la muerte, incendio o choque eléctrico.

- Conecte a un contacto de pared de conexión a tierra de 3 terminales.

**NOTA:** Deje transcurrir 24 horas para la producción del primer lote de hielo. Deshágase de los tres primeros lotes de hielo producidos. Deje transcurrir 3 días para que se vuelva a llenar de hielo el recipiente.

## Cajón y puerta(s) del refrigerador

Las ilustraciones aparecen más adelante en esta sección.

### Para quitar y volver a colocar las manijas

- Con una llave Allen de  $\frac{3}{32}$ ", afloje los dos tornillos de ajuste ubicados a los lados de cada manija. Vea las ilustraciones 1 y 2.
- Jale la manija directamente hacia afuera de la puerta. Asegúrese de guardar los tornillos para reinstalar las manijas.
- Para volver a colocar las manijas, invierta las instrucciones.

### Cómo quitar las puertas y las bisagras

## ⚠ ADVERTENCIA



### Peligro de Choque Eléctrico

Desconecte el suministro de energía antes de sacar las puertas.

No seguir esta instrucción puede ocasionar la muerte o choque eléctrico.

### IMPORTANTE:

- Quite todos los alimentos y cualquier recipiente ajustable o de uso general de las puertas.
- Todas las ilustraciones a las que se hace referencia en las siguientes instrucciones se incluyen más adelante en esta sección después de "Pasos finales".

**HERRAMIENTAS NECESARIAS:** Llaves de cubo de cabeza hexagonal de  $\frac{5}{16}$ ",  $\frac{3}{8}$ " y  $\frac{1}{4}$ ", destornillador Phillips #2 y un destornillador de hoja plana.

- Desenchufe el refrigerador o desconecte el suministro de energía.
- Mantenga las puertas del refrigerador cerradas hasta que esté listo para levantarlas y quitarlas de la carcasa.

**NOTA:** Proporcione soporte adicional a la puerta del refrigerador mientras se quitan las bisagras. No se confíe en que los imanes de la junta de las puertas van a sostener la puerta en su lugar mientras trabaja.

- Comenzando con la puerta del lado derecho, saque las piezas de la bisagra superior, como se muestra en la ilustración Bisagra superior. Levante y saque la puerta del refrigerador del pasador inferior de la bisagra.

4. Antes de quitar la puerta de la izquierda, desconecte el enchufe de cableado ubicado en la parte superior de la bisagra superior acuniando un destornillador de hoja plana o su uña entre las dos secciones. Vea la ilustración Enchufe de cableado.

**NOTA:** El alambre verde que va a tierra permanece sujeto a la bisagra.

5. Quite los componentes de la bisagra superior como se muestra en la ilustración Bisagra superior. Levante la puerta del lado izquierdo del pasador inferior de la bisagra.

---

### Cómo volver a poner las puertas y las bisagras en su lugar

---

1. Ensamble los componentes de la bisagra superior, como se muestra en la ilustración Bisagra superior. No atornille completamente los tornillos.
2. Vuelva a colocar los componentes de la bisagra inferior, como se muestra en la ilustración Bisagra inferior. Apriete los tornillos. Vuelva a poner en su lugar la puerta del refrigerador.

**NOTA:** Proporcione soporte adicional para la puerta del refrigerador mientras las bisagras se mueven. No se confíe en que los imanes de las juntas de las puertas van a sostener la puerta en su lugar mientras trabaja.

3. Alinee la puerta de modo que la base de la puerta del refrigerador esté alineada en forma pareja con la parte superior del cajón del congelador. Apriete todos los tornillos.
4. Vuelva a conectar el enchufe de cableado en la parte superior de la puerta del lado izquierdo del refrigerador.
5. Vuelva a colocar las cubiertas de la bisagra superior.

---

### Cómo quitar y volver a colocar el frente del cajón del congelador

---

**IMPORTANTE:** Pueden necesitarse dos personas para quitar y reemplazar el frente del cajón del congelador. Las ilustraciones aparecen más adelante en esta sección.

#### Para quitar el frente del cajón

1. Abra el cajón del congelador en toda su extensión.
2. Afloje los cuatro tornillos que sujetan las guías del cajón al frente del cajón. Vea la ilustración Cómo quitar el frente del cajón.

**NOTA:** Afloje los tornillos tres o cuatro vueltas. Mantenga los tornillos en el frente del cajón.

3. Levante el frente del cajón hacia arriba y fuera de los tornillos. Vea la ilustración Cómo quitar el frente del cajón.

#### Para volver a colocar el frente del cajón

1. Deslice las guías fuera del compartimiento del congelador. Inserte los tornillos en la parte superior del frente del cajón, dentro de las ranuras que están en los soportes del cajón. Vea la ilustración Cómo volver a colocar el frente del cajón.
2. Jale los soportes del cajón hacia usted para colocar los dos tornillos en la base del frente del cajón, dentro de los soportes. Vea la ilustración Cómo volver a colocar el frente del cajón.
3. Apriete por completo los cuatro tornillos.

---

### Pasos finales

---

## ⚠ ADVERTENCIA



### Peligro de Choque Eléctrico

**Conecte a un contacto de pared de conexión a tierra de 3 terminales.**

**No quite la terminal de conexión a tierra.**

**No use un adaptador.**

**No use un cable eléctrico de extensión.**

**No seguir estas instrucciones puede ocasionar la muerte, incendio o choque eléctrico.**

1. Conecte a un contacto de pared de conexión a tierra de 3 terminales.
2. Regrese todas las partes desmontables a las puertas y la comida al refrigerador.



# ⚠ ADVERTENCIA

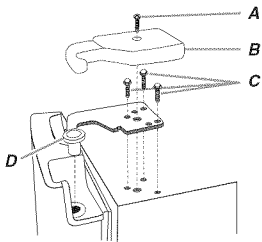
Peligro de Choque Eléctrico

Desconecte el suministro de energía antes de sacar las puertas.

No seguir esta instrucción puede ocasionar la muerte o choque eléctrico.

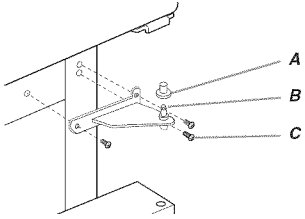
## Cómo quitar y volver a poner las puertas en su lugar

### Bisagras superiores



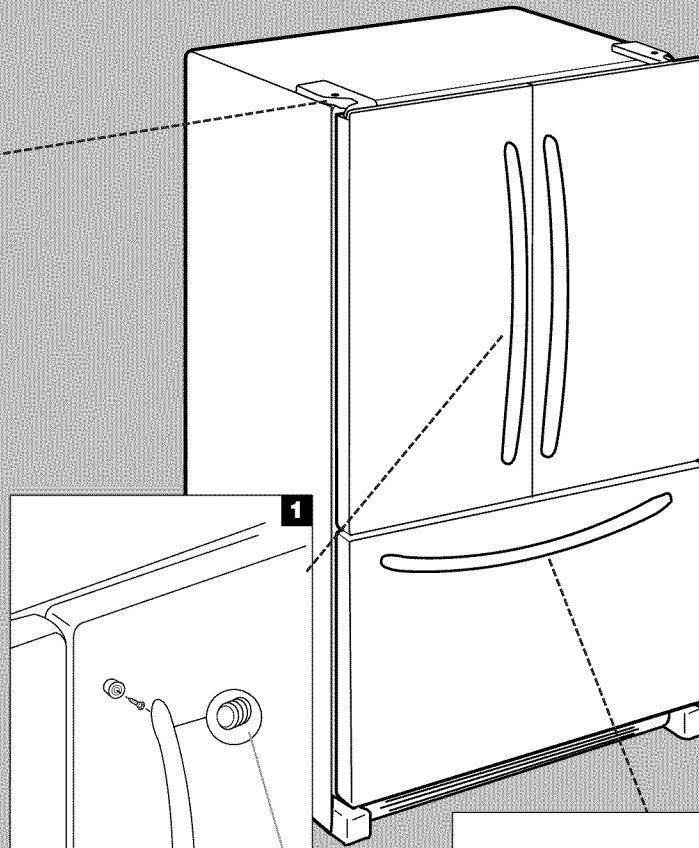
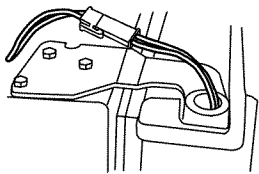
- A. Tornillo de la cubierta de la bisagra
- B. Cubierta de la bisagra superior
- C. Tornillos de  $\frac{5}{16}$ " de cabeza hexagonal para bisagra
- D. Bisagra superior

### Bisagras inferiores

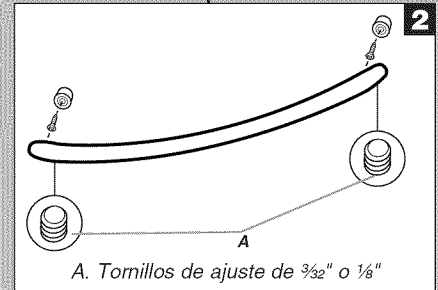


- A. Cubierta del pasador de la bisagra
- B. Bisagra inferior
- C. Tornillos de la bisagra

### Enchufe de cableado

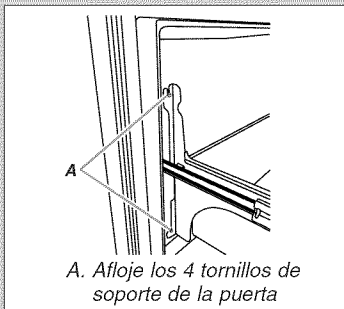


A. Tornillos de ajuste de  $\frac{3}{32}$ " o  $\frac{1}{8}$ "

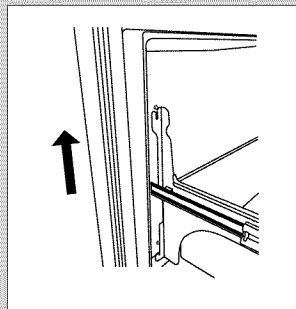


A. Tornillos de ajuste de  $\frac{3}{32}$ " o  $\frac{1}{8}$ "

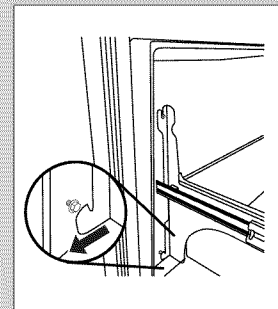
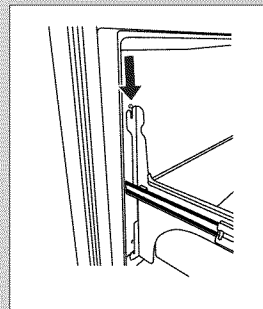
## Cómo quitar el frente del cajón



A. Afloje los 4 tornillos de soporte de la puerta



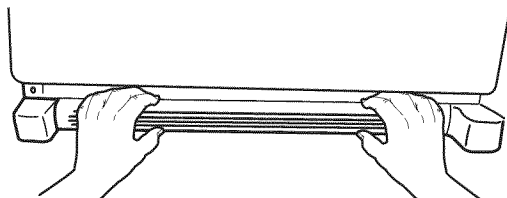
## Cómo volver a colocar el frente del cajón



## Ajuste las puertas

Según el modelo, su refrigerador puede tener dos rodillos regulables (**Estilo 1**) o dos tornillos-pie niveladores (**Estilo 2**) ubicados en la base del refrigerador. Si su refrigerador parece poco firme o si usted desea que la puerta se cierre con más facilidad, siga las instrucciones a continuación.

1. Quite la rejilla de la base. Tome la rejilla con firmeza y júlela hacia usted.



2. Levante o baje la carcasa.

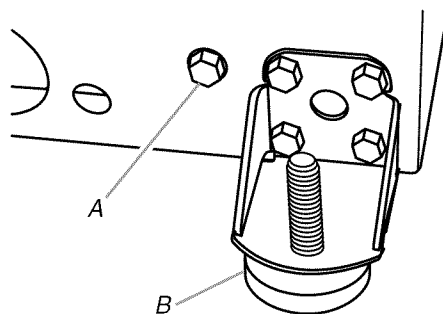
### Estilo 1–Nivelación delantera

Con un destornillador hexagonal de  $\frac{3}{8}$ ", gire el(los) tornillo(s) de ajuste del rodillo que está(n) a cada lado, para levantar o bajar ese lado del refrigerador.

**NOTA:** Haga que alguien empuje la parte superior del refrigerador, lo cual quita el peso de los tornillos reguladores y los rodillos. Esto facilita el giro de los tornillos. Puede precisar darle varias vueltas al tornillo regulador para ajustar la inclinación del refrigerador.

- Para levantarlo, gire el tornillo regulador del rodillo hacia la derecha.
- Para bajarlo, gire el tornillo regulador del rodillo hacia la izquierda.

Gire el pie del freno hacia la derecha hasta que quede firmemente contra el piso, para evitar que el refrigerador ruede hacia adelante cuando se abra el cajón del congelador.



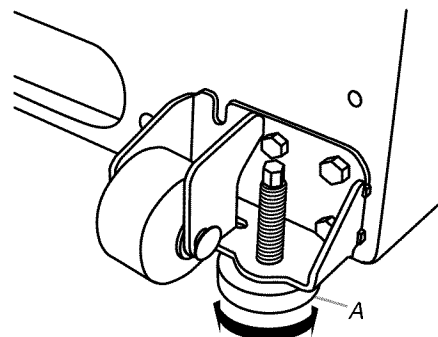
A. Tornillo regulador delantero del rodillo  
B. Pie de freno

### Estilo 2–Tornillo nivelador

Con un destornillador hexagonal de  $\frac{1}{4}$ ", gire el tornillo nivelador que está a cada lado, para levantar o bajar ese lado del refrigerador.

**NOTA:** Para quitar un poco de peso de los tornillos niveladores, haga que alguien empuje la parte superior del refrigerador. Esto facilita el giro de los tornillos. Puede precisar darle varias vueltas al tornillo nivelador para ajustar la inclinación del refrigerador.

- Para levantar, gire el tornillo nivelador hacia la derecha.
- Para bajar, gire el tornillo nivelador hacia la izquierda.



A. Tornillo nivelador

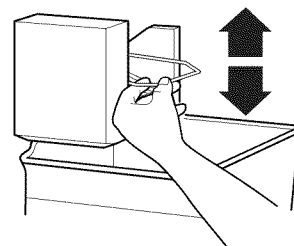
3. Abra la puerta nuevamente para verificar que se cierra con la facilidad que usted desea. De lo contrario, incline el refrigerador ligeramente más hacia la parte posterior, girando ambos tornillos niveladores hacia la derecha. Puede tomar varias vueltas más, y usted deberá girar ambos tornillos la misma cantidad de veces.
4. Vuelva a colocar la rejilla de la base.

## Preparación del sistema de agua

Sírvase leer antes de usar el sistema de agua.

Inmediatamente después de la instalación, siga los pasos a continuación para asegurarse de que el sistema de agua esté debidamente purgado.

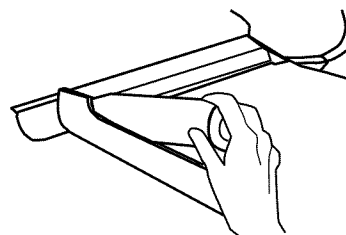
1. Apague la fábrica de hielo abriendo la puerta del congelador y levantando el brazo de control de alambre como se muestra.



2. Instale el filtro de agua interior. El soporte de montaje del filtro de agua interior está ubicado en la pared izquierda del compartimiento del refrigerador.

No use con agua que no sea microbiológicamente segura o que sea de calidad desconocida sin desinfectarla adecuadamente antes o después del sistema. Pueden usarse sistemas certificados para la reducción de quistes en aguas desinfectadas que puedan contener quistes filtrables.

- Saque la tapa azul de paso y guárdela para usarla más tarde.
- Saque el filtro interior de agua de su empaque. Retire la etiqueta de sellado del extremo del filtro e insértela en la cabeza del filtro.
- Gire suavemente el filtro hacia la derecha hasta que se detenga. Luego trabe la tapa del filtro para cerrar.



- Presione el botón de Water (Agua) en el panel de control del despachador. Use un recipiente firme para oprimir y sostener la palanca del despachador por 5 segundos, luego suéltela por 5 segundos. Repita hasta que el agua empiece a fluir. Una vez que el agua comience a fluir, continúe oprimiendo y soltando la palanca del despachador (5 minutos encendido, 5 minutos apagado) por 2 minutos adicionales. Esto purgará aire del filtro y del sistema de despacho de agua. En algunas casas puede requerirse purgado adicional. Conforme se saca el aire del sistema, es posible que salgan chorros de agua del despachador.

**NOTA:** Después de cinco minutos de despacho continuo, el despachador dejará de dispensar agua para evitar una inundación. Para continuar despachando, quite el recipiente y presione nuevamente la palanca del despachador.

- Inspeccione el sistema de filtración para que no haya fugas. Si encuentra fugas de agua, vea la sección de “Solución de problemas”.
- Ponga la fábrica de hielo a funcionar abriendo la puerta del congelador y bajando el brazo de control de alambre como se muestra. Vea la sección “Fábrica de hielo” para obtener más instrucciones sobre el funcionamiento de su fábrica de hielo.
  - Deje transcurrir 24 horas para la producción del primer lote de hielo.
  - Deshágase de los tres primeros lotes de hielo producidos.

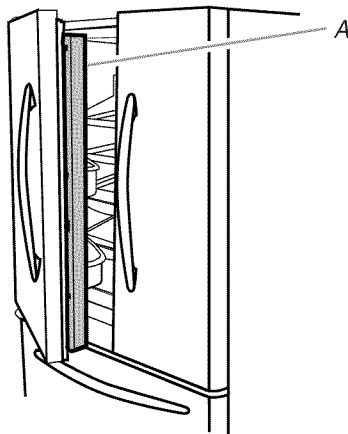
## USO DE SU REFRIGERADOR

### Cómo abrir y cerrar las puertas

El compartimiento del refrigerador tiene dos puertas. Las puertas pueden abrirse y cerrarse ya sea individualmente o a la vez.

Hay una junta con bisagras verticales en la puerta izquierda del refrigerador.

- Cuando se abre la puerta izquierda, la junta con bisagras se pliega hacia adentro automáticamente, para quedar fuera del camino.
- Cuando ambas puertas están cerradas, la junta con bisagras forma automáticamente un sello entre las dos puertas.



A. Junta con bisagras

## Uso de los controles

### IMPORTANTE:

- Cuando el aparato esté encendido, la pantalla de temperatura muestra la temperatura real del compartimiento.
- Espere 24 horas para que el refrigerador se enfríe completamente antes de agregar alimentos. Si agrega alimentos antes de que el refrigerador se haya enfriado por completo, sus alimentos podrían echarse a perder.

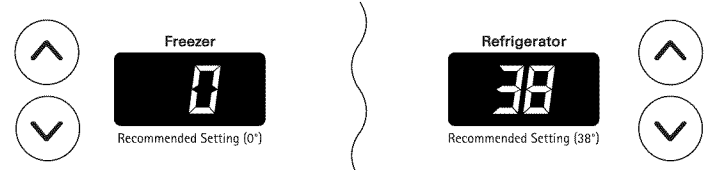
**NOTA:** Si ajusta los controles de la temperatura del refrigerador y del congelador a un ajuste más frío que el recomendado no enfriará más rápidamente los compartimientos.

- Los ajustes recomendados deben ser los correctos para un uso doméstico normal del refrigerador. Los controles están ajustados correctamente cuando la leche o los jugos están tan fríos como Ud. desea y cuando el helado tiene consistencia firme.
- Si la temperatura está demasiado caliente o demasiado fría en el refrigerador o en el congelador, antes de regular los controles, revise primero los conductos de ventilación para cerciorarse de que no estén obstruidos.

### Controles de temperatura

Para su conveniencia, los controles de temperatura vienen prefijados de fábrica. Cuando instale el refrigerador por primera vez, asegúrese de que los controles estén todavía fijados en los puntos fijos recomendados, como se muestra.

#### Ajustes recomendados



### Para encender/apagar el enfriamiento:

Oprima la flecha hacia arriba del congelador hasta que aparezca OFF (Apagado) en la pantalla. No se enfría ningún compartimiento. Oprima la flecha hacia abajo ya sea del congelador o del refrigerador para volver a encender el enfriamiento.

### Cómo ajustar los controles

El control del REFRIGERADOR regula la temperatura del compartimiento del refrigerador. El control del CONGELADOR regula la temperatura del compartimiento del congelador.

Si necesita regular la temperatura en el compartimiento del refrigerador o del congelador, utilice como guía los ajustes que se enumeran en la tabla.

### Para regular temperaturas de punto de ajuste:

La primera vez que usted toca la flecha hacia arriba o la flecha hacia abajo se muestra en la pantalla el punto de ajuste de la temperatura actual. La pantalla va a mostrar el punto de ajuste por aproximadamente 3 segundos y luego va a regresar a la temperatura real.

- Presione los botones táctiles de flecha hacia arriba o flecha hacia abajo hasta que aparezca en la pantalla el punto de ajuste de la temperatura deseada.

**NOTA:** Excepto cuando enciende por primera vez su refrigerador, no ajuste ninguno de los controles de temperatura más de un ajuste a la vez. Espere 24 horas para que se establezca la temperatura entre los ajustes.

CONDICIÓN/MOTIVO:	AJUSTE:
REFRIGERADOR demasiado caliente	Control del REFRIGERADOR 1° más bajo
CONGELADOR demasiado caliente/muy poco hielo	Control del CONGELADOR 1° más bajo
REFRIGERADOR demasiado frío	Control del REFRIGERADOR 1° más alto
CONGELADOR demasiado frío	Control del CONGELADOR 1° más alto

### Funciones adicionales del centro de control

#### Grocery Savor (Enfriamiento rápido)

La característica de Grocery Savor (Enfriamiento rápido) ayuda en los períodos de alto uso del refrigerador, cargas llenas de comestibles o temperaturas de la habitación temporalmente cálidas.

- Oprima el botón táctil de Grocery Savor para ajustar el congelador y el refrigerador en los ajustes de temperatura más bajos. Oprima de nuevo el botón táctil de Grocery Savor para regresar al punto de ajuste normal del refrigerador.

**NOTA:** La característica de Grocery Savor se apagará automáticamente en aproximadamente 12 horas. Cuando Grocery Savor está encendido, no se puede ajustar la temperatura en ningún compartimiento.



#### Acceler Ice (Producción acelerada de hielo)

La característica de Acceler Ice (Producción acelerada de hielo) ayuda con períodos temporales de alto uso de hielo incrementando la producción de hielo.

- Presione Acceler Ice para ajustar el congelador a los ajustes más bajos de temperatura. Presione Acceler Ice otra vez para regresar el congelador al punto de ajuste normal.

**NOTA:** La característica de Acceler Ice se apagará automáticamente en aproximadamente 24 horas. Cuando Acceler Ice está encendido, usted no puede ajustar la temperatura del congelador.



#### Door Ajar (Alarma de puerta entreabierta)

La característica de Door Ajar (Alarma de puerta entreabierta) hace sonar una señal cada pocos segundos cuando la puerta del refrigerador ha quedado abierta durante 5 minutos seguidos. La señal sonará hasta que se cierre la puerta o se apague Door Ajar (Alarma de puerta entreabierta). Los focos se apagarán si se deja abierta cualquier puerta por 6 minutos continuos. El cerrar todas las puertas por 1 segundo ocasionará que las luces se vuelvan a prender.

- Presione el botón táctil de Door Ajar para encender o apagar esta característica. La luz indicadora se encenderá cuando esté encendida la característica Door Ajar.



#### Humidity Control (Control de humedad) (en algunos modelos)

La función de Control de humedad enciende un calentador para ayudar a reducir la humedad en el sello de la bisagra de la puerta. Úselo en ambientes húmedos o cuando usted nota humedad en el sello de la bisagra de la puerta. El refrigerador utiliza más energía cuando el Humidity Control (Control de humedad) está encendido.

- Presione Humidity Control (Control de humedad) cuando el ambiente esté cálido y más húmedo, o si nota humedad en el sello de la bisagra de la puerta. Se encenderá la luz indicadora cuando el control de humedad esté ENCENDIDO.
- Presione Humidity Control (Control de humedad) nuevamente, para APAGARLO y ahorrar energía cuando el ambiente esté menos húmedo.



#### Temp Alarm (Alarma de temperatura) (en algunos modelos)

La característica Temp Alarm (Alarma de temperatura) provee información acerca de la temperatura en el caso de que haya un corte de corriente.

**Cortes de corriente:** Durante un corte de corriente, si la temperatura de los compartimientos del refrigerador y del congelador se excede de las temperaturas normales para el funcionamiento, aparecerá en la pantalla la temperatura más alta a la que se haya llegado.

- Para que se encienda esta característica, presione el botón táctil Temp Alarm (Alarma de temperatura) hasta que se encienda la luz indicadora. Para apagar esta característica, presione y sostenga Temp Alarm durante 3 segundos, hasta que se apague la luz indicadora.

**Alarma de temperatura:** Sonará repetidamente una alarma si la temperatura del compartimiento del congelador o del refrigerador excede las temperaturas de funcionamiento normales durante una hora o más.

Las pantallas de temperatura mostrarán en forma alternada las temperaturas actuales y las temperaturas más altas que hayan alcanzado los compartimientos.

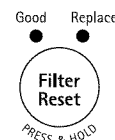
- Presione el botón táctil Temp Alarm una vez para detener la alarma audible y las pantallas alternadas de temperatura. La luz de Temp Alarm continuará destellando hasta que el refrigerador vuelva a la temperatura fijada.



#### Filter Reset (Reposición del filtro - en algunos modelos)

El control de Reposición del filtro le permite volver a iniciar la característica del control de estado del filtro de agua cada vez que usted reemplace el filtro de agua. Vea "Sistema de filtración de agua".

- Presione y sostenga el botón táctil de Filter Reset (Reposición del filtro) durante 3 segundos, hasta que se apague la luz de Replace (Reemplazar).





---

## Preferencias del usuario

---

El centro de control le permite fijar sus preferencias, si usted lo desea.

### Pantalla de temperatura (F\_C)

Con esta preferencia, usted puede cambiar la pantalla de la temperatura.

F - Temperatura en grados Fahrenheit

C - Temperatura en grados centígrados

### Alarma (AL)

Con esta preferencia, usted puede apagar el sonido de todas las alarmas.

ON (Encendido) - Usted escuchará el sonido de la alarma.

OFF (Apagado) - Usted no escuchará el sonido de la alarma.

### Modo Sabbath (SAB)

ON (Encendido) - Se desactivarán todas las luces del centro de control y los tonos de alarma.

OFF (Apagado) - Se activarán todas las luces del centro de control y los tonos de alarma.

**NOTA:** Presione el botón táctil de Door Ajar (Alarma de puerta entreabierta) por 3 segundos para restaurar todas las luces.

### Para obtener acceso al menú de preferencias del usuario:

1. Presione y sostenga el botón táctil de Door Ajar (Alarma de puerta entreabierta) por 3 segundos. El nombre de la preferencia aparecerá en la pantalla del congelador y el estado de preferencia (F ó C) u (ON - Encendido u OFF - Apagado) aparecerá en la pantalla del refrigerador.
2. Use los botones táctiles con las flechas hacia arriba o hacia abajo del congelador para hacer avanzar los nombres de las preferencias. Cuando aparezca en la pantalla el nombre de la preferencia deseada, presione los botones táctiles con las flechas hacia arriba o hacia abajo del refrigerador, para cambiar el estado de preferencia.
3. Presione y sostenga por 3 segundos el botón táctil Door Ajar (Alarma de puerta entreabierta) para fijar sus preferencias.

---

## Despachador de agua (en algunos modelos)

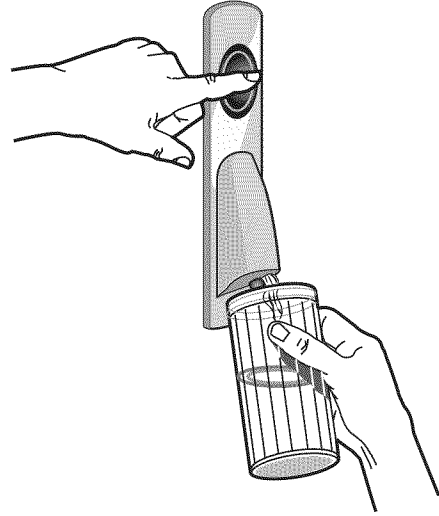
### IMPORTANTE:

- Si no enjuagó el sistema de agua cuando se instaló el refrigerador por primera vez, vea "Preparación del sistema de agua" para obtener las instrucciones sobre cómo enjuagar el sistema de agua.
- Permita 24 horas para que se enfríe el refrigerador y enfríe el agua. Haga salir suficiente agua cada semana para mantener un suministro fresco.

### Despacho de agua

1. Sostenga un recipiente bajo el despachador mientras presiona el botón.

2. Suelte el botón para detener la salida de agua.



---

## Sistema de filtración de agua (en algunos modelos)

El filtro de agua está ubicado en la esquina superior derecha del compartimiento del refrigerador.

No use con agua que no sea microbiológicamente segura o que sea de calidad desconocida sin desinfectarla adecuadamente antes o después del sistema. Pueden usarse sistemas certificados para la reducción de quistes en aguas desinfectadas que puedan contener quistes filtrables.

---

## Estado del filtro de agua

### Modelos con indicador:

- El filtro de agua desechable deberá ser reemplazado cuando la luz de estado de Replaza (Reemplazar) esté encendida, o al menos cada 6 meses. Si el flujo de agua hacia el despachador de agua o a la fábrica de hielo disminuye sensiblemente antes de que pasen 6 meses, cambie el filtro más seguido.
- Después de reemplazar el filtro de agua, presione y sostenga el botón de Filter Reset (Reposición del filtro) durante 3 segundos hasta que se apague la luz de Order (Ordenar) o Replaza (Reemplazar). Vea "Uso de los controles".

### Modelos sin indicador

- El filtro de agua desechable deberá reemplazarse por lo menos cada 6 meses. Si el flujo de agua hacia el despachador de agua o a la fábrica de hielo disminuye sensiblemente antes de que pasen 6 meses, cambie el filtro más seguido.

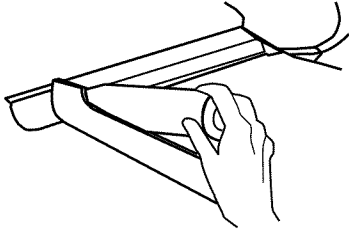
---

## Reemplazo del filtro de agua

**IMPORTANTE:** El aire que quede atrapado en el sistema puede hacer que se salga agua y el filtro de agua. Deje correr el agua durante 2 minutos antes de quitar el filtro o la tapa azul de paso.

1. Gire hacia la izquierda el filtro de agua usado hasta liberarlo del soporte de montaje del filtro.
2. Drene el agua del filtro de agua hacia la tina y deseche el filtro de agua usado. Limpie el exceso de agua en la cubierta del filtro.

3. Saque la etiqueta de sellado del extremo del nuevo filtro de agua e inserte el filtro de agua en el soporte de montaje del filtro. Gire suavemente el filtro de agua hacia la derecha hasta que se detenga, y cierre la tapa del filtro hasta que se trabaje.



4. Enjuague el sistema de agua. Vea "Preparación del sistema de agua".
5. Revise si hay fugas de agua en el sistema de filtración de agua. Si encuentra fugas de agua, vea la sección "Solución de problemas".

### Uso del despachador sin el filtro de agua

Usted puede usar el despachador de agua sin un filtro de agua, pero el agua no estará filtrada. Si elige esta opción, reemplace el filtro de agua con la tapa azul de paso.

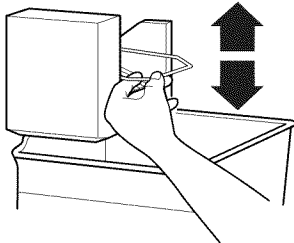
## Fábrica de hielo (en algunos modelos)

### Para encender y apagar la fábrica de hielo

Para ENCENDER la fábrica de hielo, sencillamente baje el brazo de control de alambre.

Para APAGAR la fábrica de hielo manualmente, levante el brazo de control de alambre a la posición de OFF (Apagado - brazo elevado) y escuche el chasquido.

**NOTA:** La fábrica de hielo tiene un apagado automático. A medida que se produce el hielo, los cubitos de hielo llenarán el depósito para hielo y éstos levantarán el brazo de control de alambre a la posición de OFF (Apagado - brazo elevado). No fuerce el brazo de control de alambre hacia arriba o hacia abajo.



### Ritmo de producción de hielo

- La fábrica de hielo debe producir un lote completo de hielo aproximadamente cada 3 horas.
- Para aumentar la producción de hielo, baje la temperatura del congelador y del refrigerador. Vea "Uso de los controles". Deje pasar 24 horas entre cada ajuste.

### Recuerde

- Deje transcurrir 24 horas para la producción del primer lote de hielo. Deshágase de los tres primeros lotes de hielo producidos.
- La calidad del hielo dependerá de la calidad del agua que suministre a su fábrica de hielo. Evite la conexión de la fábrica de hielo a un suministro de agua blanda. Los

químicos para ablandar el agua (como la sal) pueden dañar ciertos componentes de la fábrica de hielo y producir un hielo de muy baja calidad. Si no se puede evitar el uso de un suministro de agua blanda, asegúrese de que el ablandador de agua esté funcionando correctamente y que goce de un buen mantenimiento.

- No guarde nada encima de la fábrica de hielo o en el depósito de hielo.

## CARACTERÍSTICAS DEL REFRIGERADOR

Su modelo podrá contar con algunas o todas estas características.

### Información importante para saber acerca de los estantes y tapas de vidrio:

No limpie los estantes y tapas de vidrio con agua caliente mientras están fríos. Los estantes y tapas pueden romperse si se exponen a cambios bruscos de temperatura o impacto, como sería un golpe brusco. El vidrio templado se ha diseñado para hacerse añicos. Esto es normal. Los estantes y tapas de vidrio son muy pesados. Use ambas manos al sacarlos para evitar que se caigan.

### Estantes del refrigerador

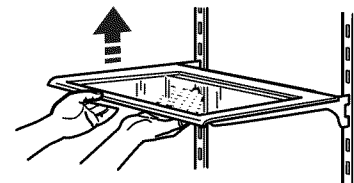
Los estantes de su refrigerador son ajustables para adaptarlos a sus necesidades individuales de almacenamiento.

Si usted guarda alimentos similares juntos en su refrigerador y ajusta los estantes para que se adapten a las diferentes alturas de los artículos, le será muy fácil encontrar exactamente el artículo que desea. Asimismo, se reduce el tiempo que la puerta del refrigerador permanece abierta y se ahorra energía.

### Estantes y marcos de los estantes

#### Para quitar y volver a colocar un estante/marco del estante:

1. Quite el estante/marco inclinandolo por el frente y levantándolo fuera de los soportes del estante.
2. Vuelva a colocar el estante/marco guiando los ganchos posteriores del estante dentro de los soportes del mismo. Levante el frente del estante hasta que los ganchos traseros del estante calcen en los soportes del mismo.
3. Baje el frente del estante y asegúrese de que el estante está en posición.

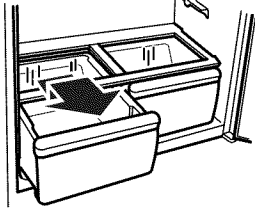


### Cajón para verduras y tapa

#### Para quitar y volver a colocar el(los) cajón(cajones) para verduras:

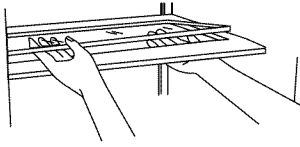
1. Deslice el(los) cajón(cajones) hasta el tope. Levante el frente del(de los) cajón(cajones) para verduras y deslícelo(s) completamente hacia afuera.

2. Vuelva a colocar el(los) cajón(cajones) para verduras deslizándolo hacia atrás completamente pasando el tope del cajón.



**Para quitar la tapa del(de los) cajón(cajones) para verduras:**

1. Quite el(los) cajón(cajones) para verduras.
2. Sostenga la pieza de vidrio firmemente con una mano y presione hacia arriba en el centro de la misma hasta que se levante por encima del marco de plástico. Deslice suavemente la pieza de vidrio hacia adelante para sacarla.
3. Levante el marco de la tapa y quítelo.



**Para volver a colocar la tapa del(de los) cajón(cajones) para verduras:**

1. Calce la parte trasera del marco de la tapa en los soportes que están en las paredes laterales del refrigerador y baje la parte delantera del marco de la tapa hasta su lugar.
2. Deslice la parte posterior de la pieza de vidrio en el marco de la tapa y baje el frente a su lugar.

**Control de humedad del cajón para verduras**

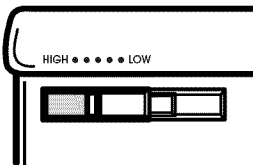
Usted puede controlar el nivel de humedad en el cajón hermético para verduras. Regule el control a cualquier ajuste entre LOW (Bajo) y HIGH (Alto).

LOW (Bajo - abierto) deja que el aire húmedo salga del cajón para verduras, y es el más adecuado para conservar las frutas y verduras con cáscara.

- Frutas: Lávelas, déjelas secar y guárdelas en el refrigerador en bolsas de plástico o en el cajón para verduras. No lave las moras sino en el momento de usarlas. Separe y guarde las moras en su recipiente original en el cajón para verduras, o guárdelas en una bolsa de papel cerrada, sin apretar en un estante del refrigerador.
- Verduras con cáscaras: Colóquelas en bolsas de plástico o recipientes de plástico y guárdelas en el cajón para verduras.

HIGH (Alto - cerrado) mantiene el aire húmedo en el cajón para verduras, y es el más adecuado para conservar las verduras frescas de hoja.

- Verduras de hoja: Lávelas con agua fría, escúrralas y corte o arranque las partes magulladas o amarillentas. Colóquelas en una bolsa o recipiente de plástico y guárdelas en el cajón para verduras.



**Cajón Gourmet Pantry™**

El cajón de ancho completo y con temperatura controlada puede usarse para guardar bandejas grandes para fiesta, carnes frías o bebidas. Para una versatilidad en el almacenamiento, el cajón ofrece un divisor y un control ajustable de temperatura.

**NOTA:** No coloque las verduras de hoja en el cajón de temperatura controlada. Las temperaturas más frías pueden dañar las verduras de hoja.

**Remoción y reemplazo del cajón**

**Para sacar el cajón:**

1. Levante la tapa. Jale el cajón hacia afuera, en toda su extensión.
2. Levante el frente del cajón y jálelo derecho para sacarlo.

**Para volver a colocar el cajón:**

1. Empuje las guías de metal hacia la parte trasera del refrigerador.
2. Coloque el cajón sobre las guías y deslícelo hacia la parte trasera del refrigerador.

**Divisor del cajón**

**Para sacar el divisor:**

1. Jale el cajón hacia afuera, en toda su extensión.
2. Levante el frente del divisor para desengancharlo de la pared posterior del cajón y levante el divisor para sacarlo.

**Para volver a colocar el divisor:**

1. Enganche la parte trasera del divisor por encima de la pared posterior del cajón.
2. Baje el divisor para colocarlo en su lugar.

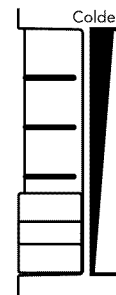
**Control de temperatura del cajón**

El control de temperatura, que está ubicado debajo de la tapa en el lado derecho del cajón, regula la cantidad de aire frío que entra en el cajón.

**NOTA:** El aire frío que se dirige hacia el cajón puede disminuir la temperatura del refrigerador. Tal vez necesite ajustarse la temperatura del refrigerador.

- Deslice el control de temperatura hacia el ajuste menos frío si desea que el cajón tenga la misma temperatura que el compartimiento del refrigerador.
- Deslice el control de temperatura hacia un ajuste más frío cuando desee que el cajón esté más frío que el compartimiento del refrigerador.

**NOTA:** Use el ajuste más frío cuando almacene carnes.



## Guía para la conservación de carnes

Por lo general guarde todas las carnes en su envoltura original siempre y cuando sea hermética y a prueba de humedad. Vuelva a envolverlas si fuera necesario. Consulte el cuadro siguiente respecto a períodos de conservación. Para guardar la carne por un tiempo más prolongado que los períodos indicados, congélela.

Pescado fresco o mariscos... úselos el mismo día de su compra  
Pollo, carne de res molida, carnes varias (hígado) ..... 1-2 días  
Carnes frías, filetes/asados ..... 3-5 días  
Carnes curadas ..... 7-10 días  
Sobras - Cubra las sobras con envoltura de plástico, papel de aluminio o guárdelas en recipientes de plástico con tapas herméticas.

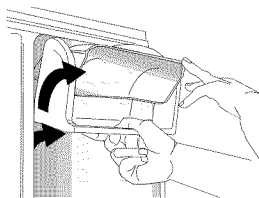
## CARACTERÍSTICAS DE LA PUERTA

Su modelo podrá contar con algunas o todas estas características.

### Centro de productos lácteos

**Para quitar y volver a colocar el centro de productos lácteos:**

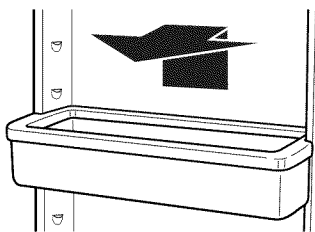
1. Saque el centro de productos lácteos levantando y sosteniendo la cubierta, a la vez que levanta el centro de productos lácteos y lo jala directamente hacia afuera.
2. Vuelva a colocar el centro de productos lácteos deslizándolo hacia adentro sobre el soporte deseado y empujándolo hacia abajo hasta que se detenga.



### Recipientes de la puerta

**Para quitar y volver a colocar los recipientes:**

1. Quite el recipiente levantándolo y jalándolo directamente hacia afuera.
2. Vuelva a colocar el recipiente deslizándolo encima del soporte deseado y empujándolo hacia abajo hasta que se detenga.



### Tapetes antideslizantes

Los tapetes antideslizantes ayudan a evitar que los artículos se resbalen en los recipientes de la puerta. Los tapetes antideslizantes se pueden quitar y son aptos para lavarse fácilmente en la canasta superior del lavavajillas.

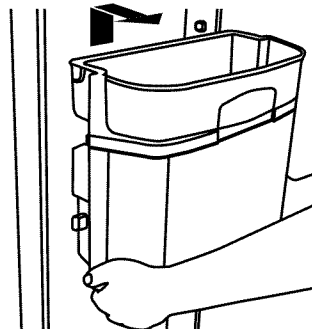
## Recipiente Fresh-N-Ready™

(en algunos modelos)

En este recipiente se pueden guardar los refrigerios saludables, tales como frutas y vegetales frescos, lo cual es conveniente para toda la familia. Incluye una canasta removible para las moras, para enjuagar y guardar los artículos delicados, tales como las uvas y las moras.

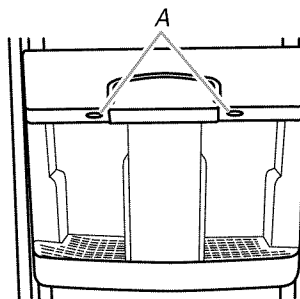
**Para quitar y volver a colocar el recipiente:**

1. Quite el recipiente levantándolo y jalándolo directamente hacia afuera.
2. Vuelva a colocar el recipiente deslizándolo encima de los soportes deseados y empujándolo hacia abajo hasta que se detenga.



**Para quitar y volver a colocar las piezas del recipiente:**

1. Presione cualquier botón de liberación para abrir la parte inclinable del recipiente.

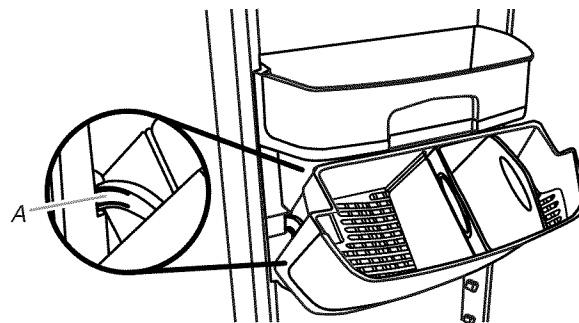


A. Botones de liberación

2. Para quitar la parte inclinable del recipiente, presione sobre las palancas curvas a cada lado del mismo. Jale hacia arriba y hacia fuera.

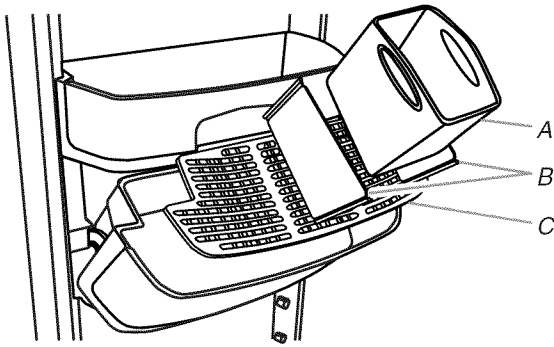
#### NOTAS:

- El recipiente no podrá quitarse si se inclina hacia fuera completamente. Inclínelo solamente un poco antes de presionar en las palancas curvas para quitarlo.
- Limpie las piezas según se indica en la sección "Limpieza".



A. Palanca curva

3. Vuelva a instalar la parte inclinable del recipiente. Asegúrese de que esté encajado debidamente en la base del recipiente antes de insertar las palancas curvas en su lugar.
4. Vuelva a colocar las piezas del interior del recipiente.



A. Canastilla coladora  
B. Divisores  
C. Tapete colador

## CUIDADO DE SU REFRIGERADOR

### Limpeza

#### **ADVERTENCIA**



#### Peligro de Explosión

Use un limpiador no inflamable.

No seguir esta instrucción puede ocasionar la muerte, explosión o incendio.

Tanto la sección del refrigerador como la del congelador se descongelan automáticamente. No obstante, limpie ambas secciones más o menos una vez al mes para evitar la acumulación de olores. Limpie los derrames de inmediato.

**IMPORTANTE:** Debido a que el aire circula entre ambas secciones, cualquier olor que se forma en una sección pasará a la otra. Usted debe limpiar meticulosamente ambas secciones para eliminar olores. Para evitar la transferencia de olores y la deshidratación de los alimentos, envuelva o tape bien los alimentos.

#### Para limpiar su refrigerador:

**NOTA:** No use productos de limpieza abrasivos o ásperos, tales como aerosoles para ventanas, productos de limpieza para pulir, líquidos inflamables, ceras para limpieza, detergentes concentrados, blanqueadores o productos de limpieza que contengan productos derivados del petróleo en las partes de plástico, revestimientos interiores o de la puerta o juntas. No use toallas de papel, estropajos para fregar u otros utensilios de limpieza ásperos.

1. Desenchufe el refrigerador o desconecte el suministro de energía.

2. Lave a mano, enjuague y seque todas las partes desmontables y las superficies interiores meticulosamente. Use una esponja limpia o un paño suave y un detergente delicado en agua tibia.
3. Lave las superficies externas metálicas pintadas y de acero inoxidable con una esponja limpia o un paño suave y detergente delicado con agua tibia.
  - Para mantener como nuevo su refrigerador de acero inoxidable y para quitar marcas o rayaduras pequeñas, se sugiere usar el limpiador de acero inoxidable aprobado por el fabricante. Para pedir el limpiador, vea "Accesorios".

**IMPORTANTE:** ¡Este limpiador es solamente para partes de acero inoxidable!

No permita que el limpiador de acero inoxidable entre en contacto con ninguna parte de plástico tales como las piezas decorativas, las tapas del despachador o las juntas de la puerta. Si se produce contacto no intencional, limpie la pieza de plástico con una esponja y detergente suave en agua tibia. Seque meticulosamente con un paño suave.

4. Una limpieza rutinaria del condensador no es necesaria en ambientes normales de operación en el hogar. Si el ambiente es particularmente grasoso o polvoriento, o si hay bastante tránsito de mascotas en el hogar, el condensador deberá limpiarse cada dos o tres meses para asegurar la máxima eficacia.

Si necesita limpiar el condensador:

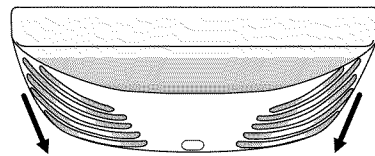
- Quite la rejilla de la base.
  - Use una aspiradora con un cepillo suave para limpiar la rejilla, las áreas abiertas detrás de la rejilla y la superficie frontal del condensador.
  - Vuelva a colocar la rejilla de la base cuando termine.
5. Enchufe el refrigerador o reconecte el suministro de energía.

### Cómo cambiar el foco

**NOTA:** No todos los focos para electrodomésticos son adecuados para su refrigerador. Asegúrese de reemplazar el foco con otro foco para electrodomésticos del mismo tamaño, forma y vataje (que no sea de más de 40 vatios).

#### Cómo cambiar el foco del refrigerador

1. Desenchufe el refrigerador o desconecte el suministro de energía.
2. Deslice la protección del foco hacia la parte de atrás del compartimiento para soltarlo del ensamblaje del foco.



3. Reemplace el(los) foco(s) fundido(s) con un foco (focos) para electrodomésticos de no más de 40 vatios.
4. Vuelva a colocar la protección del foco introduciendo las lengüetas de la protección en los orificios del revestimiento a cada lado del ensamblaje del foco. Deslice la protección hacia el frente hasta que quede asegurada en su lugar.

**NOTA:** Para evitar dañar la protección del foco, no fuerce la protección más allá del punto donde se asegura.

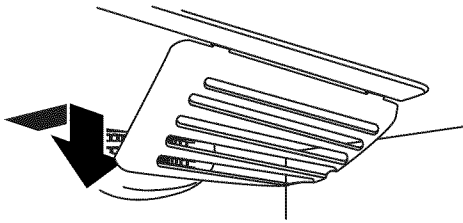
5. Enchufe el refrigerador o reconecte el suministro de energía.

---

## Cómo cambiar el foco del congelador

---

1. Desenchufe el refrigerador o desconecte el suministro de energía.  
**NOTA:** Puede ser que necesite quitar el estante o canasta superior del congelador para lograr acceso al ensamblaje del foco.
2. La protección del foco se abre desde atrás. Presione firmemente hacia el frente sobre las muescas en la parte trasera de la protección y jale la protección hacia abajo.



3. Quite la protección y reemplace el foco fundido con un foco para electrodomésticos de no más de 40 vatios.
4. Introduzca las lengüetas del frente de la protección dentro del revestimiento y trabe la porción trasera de la protección sobre el ensamblaje del foco.
5. Enchufe el refrigerador o reconecte el suministro de energía.

---

## Cortes de corriente

Si no va a haber electricidad por 24 horas o menos, mantenga la puerta o las puertas cerradas (según el modelo) para ayudar a que los alimentos se mantengan fríos y congelados.

Si el corte de electricidad va a durar más de 24 horas, siga una de las opciones a continuación:

- Saque todos los alimentos congelados y guárdelos en una conservadora de comida congelada.
- Ponga 2 lbs (907 g) de hielo seco en el congelador por cada pie cúbico (28 L) de espacio en su congelador. Esto mantendrá los alimentos congelados de 2 a 4 días.
- Si no tiene conservadora de alimentos ni hielo seco, use todos los alimentos perecederos de una vez o póngalos en latas.

**RECUERDE:** Un congelador lleno se mantiene frío por más tiempo que uno a medio llenar. Un congelador lleno de carne se mantiene frío por más tiempo que uno lleno de alimentos horneados. Si Ud. ve que los alimentos contienen cristales de hielo, se pueden volver a congelar, pero la calidad y el sabor pueden afectarse. Si el alimento no está en buenas condiciones, descártelo.

---

## Cuidado durante las vacaciones y mudanzas

---

### Vacaciones

---

**Si Ud. decide dejar el refrigerador funcionando mientras está ausente:**

1. Use todos los artículos perecederos y congele el resto.
2. Si su refrigerador tiene fábrica de hielo automática:
  - Levante el brazo de control de alambre a la posición OFF (Apagado—hacia arriba) o presione el interruptor en la posición OFF (Apagado), dependiendo de su modelo.
  - Cierre el suministro de agua a la fábrica de hielo.
3. Vacíe el depósito de hielo.

**Si Ud. decide apagar el refrigerador antes de irse:**

1. Saque toda la comida del refrigerador.
2. Si su refrigerador tiene fábrica de hielo automática:
  - Cierre el suministro de agua a la fábrica de hielo por lo menos un día antes.
  - Cuando el último lote de hielo caiga, levante el brazo de control de alambre a la posición OFF (Apagado—hacia arriba) o mueva el interruptor a la posición OFF (Apagado), dependiendo del modelo.
3. Apague los controles de temperatura. Vea “Uso del(de los) control(es)”.
4. Limpie el refrigerador, pásele un paño y séquelo bien.
5. Fije bloques de goma o de madera con cinta adhesiva a la parte superior de ambas puertas para que queden abiertas y el aire circule. Esto evita que se formen olores y que crezcan hongos.

---

### Mudanza

---

Si Ud. muda su refrigerador a una casa nueva, siga los pasos a continuación para prepararse para la mudanza.

1. Si su refrigerador tiene fábrica de hielo automática:
  - Cierre el suministro de agua a la fábrica de hielo por lo menos un día antes.
  - Desconecte la tubería de agua que está atrás del refrigerador.
  - Cuando el último lote de hielo caiga, levante el brazo de control de alambre a la posición OFF (Apagado—hacia arriba) o mueva el interruptor a la posición OFF (Apagado), dependiendo del modelo.
2. Saque toda la comida del refrigerador y empaque todos los alimentos congelados en hielo seco.
3. Vacíe el depósito de hielo.
4. Apague los controles de temperatura. Vea “Uso del(de los) control(es)”.
5. Desenchufe el refrigerador.
6. Limpie, pásele un paño y seque bien.
7. Saque todas las partes desmontables, envuélvalas bien y asegúrelas con cinta adhesiva para que no se muevan ni se sacudan durante la mudanza.
8. Según el modelo, levante la parte delantera del refrigerador para que ruede con facilidad O BIEN, levante los tornillos niveladores para no rayar el piso. Vea “Ajuste la(s) puerta(s)”.
9. Sostenga las puertas cerradas y el cable pegado a la parte posterior del refrigerador con cinta adhesiva.

Cuando llegue a la casa nueva, ponga todo de nuevo en su lugar y lea la sección “Instrucciones de instalación” para obtener instrucciones de preparación. Además, si su refrigerador tiene fábrica de hielo automática, recuerde volver a conectar el suministro de agua al refrigerador.

# SOLUCIÓN DE PROBLEMAS

Primero pruebe las soluciones sugeridas aquí para evitar el costo innecesario del servicio.

## Funcionamiento del refrigerador

### El refrigerador no funciona

#### **⚠ ADVERTENCIA**



#### **Peligro de Choque Eléctrico**

Conecte a un contacto de pared de conexión a tierra de 3 terminales.

No quite la terminal de conexión a tierra.

No use un adaptador.

No use un cable eléctrico de extensión.

No seguir estas instrucciones puede ocasionar la muerte, incendio o choque eléctrico.

- **¿Está desenchufado el cable eléctrico?** Conecte a un contacto de pared de conexión a tierra de 3 terminales.
- **¿Funciona el contacto?** Enchufe una lámpara para ver si funciona el contacto.
- **¿Hay un fusible de la casa fundido o se disparó el cortacircuitos?** Reemplace el fusible o reposicione el cortacircuitos. Si el problema continúa, llame a un electricista.
- **¿Están encendidos los controles?** Asegúrese de que los controles del refrigerador estén encendidos. Vea "Uso del(de los) control(es)".
- **¿Es nueva la instalación?** Deje transcurrir 24 horas después de la instalación para que el refrigerador se enfríe por completo.  
**NOTA:** El ajustar los controles de temperatura en la posición más fría no enfría ningún compartimiento más rápido.

### Parece que el motor funciona excesivamente

Es posible que su nuevo refrigerador funcione por períodos más largos que su refrigerador anterior debido al compresor y los ventiladores de alto rendimiento. Es posible que la unidad funcione por más tiempo si la habitación está caliente, si se ha agregado una gran cantidad de alimentos, si se abren las puertas con frecuencia o si se han dejado las mismas abiertas.

### Parece que el refrigerador es ruidoso

El ruido del refrigerador se ha ido reduciendo a lo largo de los años. Debido a esta reducción, es posible que escuche ruidos intermitentes en su nuevo refrigerador que no había notado en el modelo viejo. A continuación se enumeran algunos sonidos normales con explicaciones.

- **Zumbido** - se escucha cuando la válvula de agua se abre para llenar la fábrica de hielo
- **Sonido pulsante** - los ventiladores/el compresor se están ajustando para obtener el máximo desempeño
- **Sonido sibilante/vibraciones** - flujo de líquido refrigerante, movimiento de la tubería de agua o artículos guardados arriba del refrigerador
- **Chisporroteos/Gorgoteos** - agua goteando en el calentador durante el ciclo de descongelación
- **Estallido** - contracción/expansión de las paredes interiores, especialmente durante el enfriamiento inicial
- **Agua corriendo** - puede escucharse cuando el hielo se derrite durante el ciclo de descongelación y el agua corre hacia la bandeja recolectora
- **Chirridos/Crujidos** - esto ocurre cuando el hielo es expulsado del molde de la fábrica de hielo.

### Las puertas no cierran completamente

- **¿Está bloqueada la puerta?** Mueva los paquetes de alimentos lejos de la puerta.
- **¿Hay un recipiente o un estante bloqueando el paso?** Empuje el recipiente o el estante nuevamente a la posición correcta.

### Es difícil abrir las puertas

#### **⚠ ADVERTENCIA**



#### **Peligro de Explosión**

Use un limpiador no inflamable.

No seguir esta instrucción puede ocasionar la muerte, explosión o incendio.

- **¿Están las juntas sucias o pegajosas?** Limpie las juntas y las superficies de contacto con jabón suave y agua tibia. Enjuague y seque con un paño suave.

## Temperatura y humedad

### La temperatura está demasiado caliente

- **¿Es nueva la instalación?** Deje transcurrir 24 horas después de la instalación para que el refrigerador se enfríe por completo.
- **¿Se abre(n) o se deja(n) abierta(s) la(s) puerta(s) a menudo?** Esto hace que entre aire tibio al refrigerador. Reduzca al mínimo el número de veces que abre la puerta y mantenga las puertas completamente cerradas.

- **¿Se ha agregado una gran cantidad de alimentos?** Deje que transcurran varias horas para que el refrigerador vuelva a la temperatura normal.
- **¿Se han ajustado los controles correctamente de acuerdo con las condiciones circundantes?** Ajuste los controles a un ajuste más frío. Verifique la temperatura en 24 horas. Vea “Uso del(de los) control(es)”.

---

### Hay acumulación de humedad en el interior

---

**NOTA:** Es normal que se acumule un poco de humedad.

- **¿Está húmeda la habitación?** Esto contribuye a la acumulación de humedad.
- **¿Se abre(n) o se deja(n) abierta(s) la(s) puerta(s) a menudo?** Esto hace que entre aire húmedo al refrigerador. Reduzca al mínimo el número de veces que abre la puerta y mantenga las puertas completamente cerradas.

---

## Hielo y agua

---

### La fábrica de hielo no produce hielo o no produce suficiente hielo

---

- **¿Se ha conectado el refrigerador a un suministro de agua y se ha abierto la válvula de cierre?** Conecte el refrigerador al suministro de agua y abra completamente la válvula de cierre.
- **¿Hay un estrechamiento en la tubería de suministro de agua?** Un estrechamiento en la tubería puede reducir el flujo de agua. Enderece la tubería de suministro de agua.
- **¿Está encendida la fábrica de hielo?** Asegúrese de que el brazo o interruptor de cierre de alambre (dependiendo del modelo) esté en la posición de ON (Encendido).
- **¿Es nueva la instalación?** Espere 24 horas después de la instalación de la fábrica de hielo para que empiece a producir hielo. Deje transcurrir 72 horas para la producción total de hielo.
- **¿Está completamente cerrada la puerta del congelador?** Cierre con firmeza la puerta del compartimiento del congelador. Si la puerta del compartimiento del congelador no se cierra completamente, vea “Las puertas no cierran completamente”, anteriormente en esta sección.
- **¿Se acaba de sacar una gran cantidad de hielo?** Deje transcurrir 24 horas para que la fábrica de hielo produzca más hielo.
- **¿Se trabó un cubo de hielo en el brazo eyector de la fábrica de hielo?**  
Saque el hielo del brazo eyector con un utensilio de plástico.
- **¿Tiene un filtro de agua instalado en el refrigerador?**  
Saque el filtro y ponga a funcionar la fábrica de hielo. Si el volumen de hielo aumenta, el filtro puede estar obstruido o haberse instalado incorrectamente. Reemplace el filtro o vuelva a instalarlo correctamente.
- **¿Se ha conectado un sistema de filtración de agua de ósmosis inversa al suministro de agua fría?** Esto puede hacer que disminuya la presión de agua. Vea “Requisitos del suministro de agua”.

---

### Los cubos de hielo son huecos o pequeños

---

**NOTA:** Esto es una indicación de baja presión de agua.

- **¿No está abierta por completo la válvula de cierre de agua?** Abra completamente la válvula de cierre de agua.

- **¿Hay un estrechamiento en la tubería de suministro de agua?** Un estrechamiento en la tubería puede reducir el flujo de agua. Enderece la tubería de suministro de agua.
- **¿Tiene un filtro de agua instalado en el refrigerador?**  
Saque el filtro y ponga a funcionar la fábrica de hielo. Si mejora la calidad de hielo, el filtro puede estar obstruido o haberse instalado incorrectamente. Reemplace el filtro o vuelva a instalarlo correctamente.
- **¿Se ha conectado un sistema de filtración de agua de ósmosis inversa al suministro de agua fría?** Esto puede hacer que disminuya la presión de agua. Vea “Requisitos del suministro de agua”.
- **¿Aún tiene preguntas acerca de la presión de agua?**  
Llame a un plomero competente autorizado.

---

### El hielo tiene mal sabor, mal olor o un color grisáceo

---

- **¿Son nuevas las conexiones de plomería?** Las conexiones nuevas de plomería pueden producir un hielo descolorido o de mal sabor.
- **¿Se han guardado los cubos de hielo por mucho tiempo?**  
Deseche ese hielo. Lave el recipiente de hielo. Deje transcurrir 24 horas para que la fábrica de hielo haga hielo nuevo.
- **¿Ha habido una transferencia de olor de los alimentos?**  
Use empaques herméticos contra humedad para almacenar comida.
- **¿Contiene el agua minerales (como el azufre)?** Podría ser necesario instalar un filtro de agua para eliminar los minerales.
- **¿Tiene un filtro de agua instalado en el refrigerador?** Un descoloramiento o un color gris del hielo indica que el sistema de filtración de agua necesita enjuagarse más. Enjuague el sistema de agua antes de usar un nuevo filtro. Reemplace el filtro de agua cuando se indique. Vea “Sistema de filtración de agua”.

---

### El despachador de agua no funciona debidamente

---

- **¿Se ha conectado el refrigerador a un suministro de agua y se ha abierto la válvula de cierre?** Conecte el refrigerador al suministro de agua y abra completamente la válvula de cierre.
- **¿Hay un estrechamiento en la tubería de suministro de agua?** Enderece la tubería de suministro de agua.
- **¿Es nueva la instalación?** Enjuague y llene el sistema de agua. Vea “Despachador de agua”.
- **¿Está la presión de agua a por lo menos 35 lbs/pulg<sup>2</sup> (241 kPa)?** La presión de agua de la casa determina el flujo del despachador. Vea “Requisitos del suministro de agua”.
- **¿Tiene un filtro de agua instalado en el refrigerador?**  
Saque el filtro y ponga a funcionar el despachador. Si mejora el flujo de agua, el filtro puede estar obstruido o haberse instalado incorrectamente. Reemplace el filtro o vuelva a instalarlo correctamente.
- **¿Está completamente cerrada la puerta del refrigerador?**  
Cierre la puerta con firmeza. Si no se cierra completamente, vea “Las puertas no cierran completamente”, anteriormente en esta sección.
- **¿Se han quitado las puertas recientemente?** Asegúrese de que el conjunto de tubería/alambre del despachador de agua se haya vuelto a conectar correctamente. Vea “Puerta(s) y cajón del refrigerador”.



- **¿Se ha conectado un sistema de filtración de agua de ósmosis inversa al suministro de agua fría?** Esto puede hacer que disminuya la presión de agua. Vea “Requisitos del suministro de agua”.

---

### El agua gotea del sistema del despachador

---

**NOTA:** Es normal que caigan una o dos gotas de agua después de despachar agua.

- **¿No se ha puesto el vaso debajo del despachador el tiempo suficiente?** Sostenga el vaso debajo del despachador de 2 a 3 segundos después de soltar la palanca del despachador.
- **¿Es nueva la instalación?** Enjuague el sistema de agua. Vea “Despachador de agua”.
- **¿Ha cambiado recientemente el filtro de agua?** Enjuague el sistema de agua. Vea “Despachador de agua”.
- **¿Hay agua en el piso cerca de la rejilla de la base?** Asegúrese de que las conexiones de la tubería del despachador de agua estén bien ajustadas. Vea “Puerta(s) y cajón del refrigerador”.

---

### El agua del despachador está tibia

---

**NOTA:** El agua del despachador se enfría solamente a 50°F (10°C).

- **¿Es nueva la instalación?** Deje transcurrir 24 horas después de la instalación para que el suministro de agua se enfríe completamente.
- **¿Se ha despachado recientemente una gran cantidad de agua?** Deje transcurrir 24 horas para que el suministro de agua se enfríe completamente.
- **¿No se ha usado el despachador de agua recientemente?** Puede ser que el primer vaso de agua no esté frío. Descarte el agua del primer vaso.
- **¿Se ha conectado el refrigerador a una tubería de agua fría?** Asegúrese de que el refrigerador esté conectado a una tubería de agua fría. Vea “Requisitos del suministro de agua”.

## CONTRATOS DE PROTECCIÓN

### Contratos maestros de protección

*¡Felicitaciones por su inteligente adquisición!* Su nuevo producto Kenmore® está diseñado y fabricado para proporcionarle años de funcionamiento confiable. Pero al igual que todos los productos, puede necesitar mantenimiento preventivo o reparación de vez en cuando. Es allí donde el Contrato maestro de protección puede ahorrarle dinero e inconvenientes.

El Contrato maestro de protección también ayuda a prolongar la vida de su nuevo producto. He aquí lo que se incluye en el Contrato\*:

- ✓ **Piezas y mano de obra** necesarias para ayudar a mantener los productos funcionando correctamente **bajo uso normal**, no sólo en caso de defectos. Nuestra cobertura va **mucho más allá de la garantía del producto**. No existen deducibles ni fallas de funcionamiento que estén excluidas de la cobertura — **protección verdadera**.
- ✓ **Servicio experto** a cargo de un personal de más de 10.000 **técnicos de servicio autorizados por Sears**, lo que significa que su producto será reparado por alguien en quien usted puede confiar.

- ✓ **Llamadas de servicio ilimitado y servicio en todo el país**, con la frecuencia que usted desee, cuando usted desee.
- ✓ **Garantía “sin disgustos”** – reemplazo de su producto protegido si ocurren cuatro fallas o más del producto en el transcurso de doce meses.
- ✓ **Reemplazo del producto** si su producto protegido no puede ser reparado.
- ✓ **Revisión anual de mantenimiento preventivo** a solicitud suya – sin costo adicional.
- ✓ **Ayuda rápida por teléfono** – lo que nosotros llamamos **Solución rápida** – apoyo por teléfono a cargo de un representante de Sears para todos los productos. Piense en nosotros como si fuéramos un “manual parlante para el propietario”.
- ✓ **Protección de sobrevoltaje** contra daños eléctricos debido a fluctuaciones de electricidad.
- ✓ **Protección por pérdida de comida, por un valor anual de \$250**, por cualquier pérdida de comida que sea como resultado de fallas mecánicas de cualquier refrigerador o congelador cubierto bajo la garantía.
- ✓ **Reembolso de la renta** si la reparación de su producto protegido tarda más de lo prometido.
- ✓ **10% de descuento** sobre el precio común por el servicio de reparación que no esté bajo protección, así como también las piezas relacionadas con el mismo que se hayan instalado.

Una vez adquirido el Contrato, tan sólo tiene que llamar para fijar la visita de servicio técnico. Usted puede llamar a cualquier hora, de día o de noche, o fijar una visita técnica en Internet.

El Contrato maestro de protección es una compra sin riesgo. Si por algún motivo usted lo cancela durante el período de la garantía del producto, le proveeremos un reembolso total. O un reembolso proporcional en cualquier momento posterior a la expiración del período de la garantía. ¡Adquiera hoy su Contrato maestro de protección!

**Se aplican algunas limitaciones y exclusiones. Para obtener precios e información adicional en EE.UU., llame al 1-800-827-6655.**

**\*La cobertura en Canadá varía en algunos artículos. Para obtener los detalles completos, llame a Sears Canada al 1-800-361-6665.**

### Servicio de instalación de Sears

Para la instalación profesional de Sears de aparatos electrodomésticos, abridores de puertas de garaje, calentadores de agua y otros artículos principales del hogar, en los EE.UU. o en Canadá llame al **1-800-4-MY-HOME®**.

---

## ACCESORIOS

### Refacciones:

Para pedir el limpiador de acero inoxidable o filtros de repuesto, llame al **1-800-4-MY-HOME®** y pida el número de pieza apropiado o póngase en contacto con su distribuidor autorizado de Kenmore.

#### Limpiador de acero inoxidable:

Pida la pieza No. D22 M40083 R

#### Filtro de repuesto:

Pida la pieza No. 469006-750

# HOJA DE DATOS DEL PRODUCTO

## Sistema interno de filtración de agua Modelo 46 9006-750 Capacidad 750 galones (2839 litros)



Sistema probado y certificado por NSF International según la norma NSF/ANSI 42 para la reducción de cloro, sabor y olor, de partículas de clase I\* y según la norma NSF/ANSI 53 para la reducción de plomo, mercurio, atrazina, benceno, paradiclorobenceno, carbofurano, toxafeno, quistes, turbidez, asbestos, tetracloroetileno y lindano.

Este sistema ha sido comprobado según las normas NSF/ANSI 42 y 53 para la reducción de las sustancias citadas a continuación. La concentración de las sustancias indicadas en agua entrando al sistema fue reducida a una concentración menor o igual al límite permitido para agua saliendo del sistema, tal como se especifica en las normas NSF/ANSI 42 y 53.

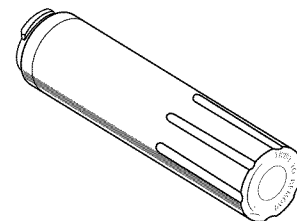
Reducción de sustancias Efectos estéticos	Requisitos de reducción de NSF	Promedio influente	Concentración en el agua a tratar	Máximo efluente	Promedio efluente	% mínimo de reducción	% promedio de reducción
Cloro, sabor/olor Clase de partículas I*	50% reducción 85% reducción	2,00 mg/L 14.000.000 #/mL	2,0 mg/L ± 10% Por lo menos 10.000 partículas/mL	0,06 mg/L 370.000 #/mL**	0,050625 mg/L 196.666 #/mL	97,00% 97,40%	97,52% 99,00%
Reducción de contaminantes	Requisitos de reducción de NSF	Promedio influente	Concentración en el agua a tratar	Máximo efluente	Promedio efluente	% mínimo de reducción	% promedio de reducción
Plomo: a pH 6,5 Plomo: a pH 8,5	0,010 mg/L 0,010 mg/L	0,150 mg/L <sup>†</sup> 0,150 mg/L <sup>†</sup>	0,15 mg/L ± 10% 0,15 mg/L ± 10%	< 0,001 mg/L < 0,001 mg/L	< 0,001 mg/L < 0,001 mg/L	>99,30% >99,30%	>99,30% >99,30%
Mercurio: a pH 6,5 Mercurio: a pH 8,5	0,002 mg/L 0,002 mg/L	0,006 mg/L 0,0059 mg/L	0,006 mg/L ± 10% 0,006 mg/L ± 10%	0,0005 mg/L 0,0018 mg/L	0,0003 mg/L 0,00073 mg/L	91,70% 69,20%	95,00% 88,10%
Benceno	0,005 mg/L	0,0133 mg/L	0,015 mg/L ± 10%	0,0005 mg/L	0,0005 mg/L	96,10%	96,30%
Paradiclorobenceno	0,075 mg/L	0,210 mg/L	0,225 mg/L ± 10%	< 0,0005 mg/L	< 0,0005 mg/L	>99,80%	>99,80%
Carbofurano	0,040 mg/L	0,0753 mg/L	0,08 mg/L ± 10%	0,027 mg/L	0,008 mg/L	64,60%	73,45%
Toxafeno	0,003 mg/L	0,015 mg/L	0,015 ± 10%	< 0,001 mg/L	< 0,001 mg/L	>93,3%	>93,3%
Atrazina	0,003 mg/L	0,0102 mg/L	0,009 mg/L ± 10%	0,0027 mg/L	0,00105 mg/L	76,30%	89,40%
Asbestos	>99%	126,5 MF/L	10 <sup>7</sup> a 10 <sup>8</sup> fibras/L <sup>††</sup>	<0,17 MF/L	<0,17 MF/L	>99,99%	>99,99%
Quistes vivos <sup>‡</sup> Turbidez	>99,95% 0,5 NTU	122.500 #/L 10,5 NTU	50.000/L mín. 11 ± 1 NTU	<1 #/L <sup>‡</sup> 0,30 NTU	<1 #/L <sup>‡</sup> 0,125 NTU	>99,99% 97,30%	>99,99% 98,80%
Lindano	0,0002 mg/L	0,0019 mg/L	0,002 ± 10%	< 0,00016 mg/L	0,000035 mg/L	91,80%	97,90%
Tetracloroetileno	0,005 mg/L	0,015 mg/L	0,015 mg/L ± 10%	< 0,0005 mg/L	< 0,0005 mg/L	>96,6%	>96,6%

Parámetros de la prueba: pH = 7,5 ± 0,5 si no se indica lo contrario. Flujo = 0,78 gpm (2,9 Lpm). Presión = 60 lbs/pulg<sup>2</sup> (413,7 kPa). Temp. = 68°F ± 5°F (20°C ± 3°C).

- Es esencial que los requerimientos de operación, mantenimiento y reemplazo del filtro se lleven a cabo para que el producto se desempeñe tal como se ofrece en la publicidad.
- El filtro de agua desechable deberá reemplazarse por lo menos cada 6 meses.
- El sistema monitor del filtro mide la cantidad de agua que pasa a través del filtro y lo pone en alerta para reemplazar el filtro. Cuando se ha usado el 90% de la duración nominal del filtro, se encenderá la luz amarilla (Order - Pedir). Cuando se ha usado el 100% de la duración nominal del filtro, se encenderá la luz roja (Replace - Reemplazar) y se le recomienda reemplazar el filtro. Para los modelos sin luces de estado del filtro, reemplace el filtro cada 6 meses. Use el modelo de filtro de repuesto 46 9006-750. Precio sugerido de venta al por menor en el 2009 de \$44,99 en EE.UU./\$49,95 en Canadá. Los precios están sujetos a cambio sin previo aviso.
- El producto es para uso con agua fría únicamente.
- No use con agua que no sea microbiológicamente segura o que sea de calidad desconocida sin desinfectarla adecuadamente antes o después del sistema. Pueden usarse sistemas certificados para la reducción de quistes en aguas desinfectadas que puedan contener quistes filtrables.
- Consulte la sección "Sistema de filtración de agua" para obtener el nombre y número telefónico del fabricante.
- Refiérase a la sección "Garantía" para verificar la garantía limitada del fabricante.

### Pautas de aplicación/Parámetros para el suministro de agua

Suministro de agua	Municipal o de pozo
Presión de agua	35 - 120 lbs/pulg <sup>2</sup> (241 - 827 kPa)
Temperatura de agua	33° - 100°F (1° - 38°C)
Tasa de flujo de servicio	0,78 gpm (2,9 L/min.) a 60 lbs/pulg <sup>2</sup>



\*Tamaño de las partículas clase I: >0,5 a <1 um

\*\*El requisito de prueba es de cuando menos 100.000 partículas/ml de polvo fino de prueba AC.

†Estos contaminantes no se encuentran necesariamente en su suministro de agua. El rendimiento puede variar según las condiciones del agua local.

††Fibras mayores de 10 um de longitud.

‡Basado en la filtración de quistes de *Cryptosporidium parvum*.

© NSF es una marca registrada de NSF International.

# TABLE DES MATIÈRES

<b>GARANTIE</b> .....	<b>43</b>	Réglage de l'humidité dans le bac à légumes.....	56
<b>SÉCURITÉ DU RÉFRIGÉRATEUR</b> .....	<b>44</b>	Tiroir Gourmet Pantry™.....	56
Mise au rebut adéquate de votre vieux réfrigérateur .....	44	<b>CARACTÉRISTIQUES DE LA PORTE</b> .....	<b>57</b>
<b>INSTRUCTIONS D'INSTALLATION</b> .....	<b>45</b>	Compartiment à produits laitiers .....	57
Déballage du réfrigérateur .....	45	Balconnets dans la porte .....	57
Exigences d'emplacement .....	45	Dispositifs de retenue .....	57
Spécifications électriques.....	46	Bac à fruits Fresh-N-Ready™.....	57
Spécifications de l'alimentation en eau .....	46	<b>ENTRETIEN DU RÉFRIGÉRATEUR</b> .....	<b>58</b>
Raccordement de la canalisation d'eau .....	47	Nettoyage .....	58
Porte(s) et tiroir du réfrigérateur.....	48	Remplacement de l'ampoule d'éclairage.....	58
Ajustement de la porte.....	51	Pannes de courant.....	59
Préparation du système d'eau.....	51	Entretien avant les vacances ou lors d'un déménagement .....	59
<b>UTILISATION DU RÉFRIGÉRATEUR</b> .....	<b>52</b>	<b>DÉPANNAGE</b> .....	<b>60</b>
Ouverture et fermeture des portes .....	52	Fonctionnement du réfrigérateur .....	60
Utilisation des commandes .....	52	Température et humidité.....	60
Distributeur d'eau.....	54	Glaçons et eau .....	61
Système de filtration d'eau.....	54	<b>CONTRATS DE PROTECTION</b> .....	<b>62</b>
Machine à glaçons.....	55	<b>ACCESSOIRES</b> .....	<b>62</b>
<b>CARACTÉRISTIQUES DU RÉFRIGÉRATEUR</b> .....	<b>55</b>	<b>FEUILLES DE DONNÉES SUR LE PRODUIT</b> .....	<b>63</b>
Tablettes du réfrigérateur .....	55	<b>NUMÉROS DE SERVICE</b> .....	<b>COUVERTURE ARRIÈRE</b>
Bac à légumes et couvercle .....	56		

## GARANTIE LIMITÉE KENMORE

Lorsqu'il est installé, utilisé et entretenu conformément à toutes les instructions fournies avec le produit, si cet appareil ménager subit une défaillance par suite d'un vice de matériau ou de fabrication au cours de l'année qui suit la date d'achat, composer le 1-800-4-MY-HOME® pour obtenir une réparation gratuite.

Si le système scellé de réfrigérant devient défectueux dans les cinq ans qui suivent la date d'achat, composer le 1-800-4-MY-HOME® pour obtenir une réparation gratuite.

Si cet appareil fonctionne à toute autre fin que l'utilisation familiale privée, la présente garantie ne s'appliquera que pendant 90 jours à partir de la date d'achat.

**La présente garantie couvre uniquement les vices de matériaux et de fabrication. Sears NE paiera PAS pour :**

1. Les pièces courantes qui peuvent s'user suite à une utilisation normale, notamment les filtres, courroies, ampoules et sacs.
2. L'intervention d'un technicien pour montrer à l'utilisateur comment installer, utiliser et entretenir correctement le produit.
3. L'intervention d'un technicien pour nettoyer ou entretenir ce produit.
4. L'endommagement de ce produit ou les défauts de celui-ci s'il n'est pas installé, utilisé ou entretenu conformément à toutes les instructions fournies avec le produit.
5. L'endommagement de ce produit ou les défauts de celui-ci résultant d'accident, usage impropre ou abusif ou utilisation autre que pour laquelle il est destiné.
6. L'endommagement ou les défauts du produit causés par l'utilisation de détergents, agents de nettoyage, produits chimiques ou ustensiles autres que ceux recommandés dans toutes les instructions fournies avec le produit.
7. L'endommagement ou les défauts des pièces ou systèmes résultant d'une modification non autorisée faite au produit.

### Clause d'exonération de responsabilité au titre des garanties implicites; limitation des recours

Le seul et exclusif recours du client dans le cadre de la présente garantie limitée consiste en la réparation prévue ci-dessus. Les garanties implicites, y compris les garanties applicables de qualité marchande ou d'aptitude à un usage particulier, sont limitées à un an ou à la plus courte période autorisée par la loi. Sears n'assume aucune responsabilité pour les dommages fortuits ou indirects. Certains États ou certaines provinces ne permettent pas l'exclusion ou la limitation des dommages fortuits ou indirects, ou la limitation de la durée des garanties implicites de qualité marchande ou d'aptitude à un usage particulier, de sorte que ces exclusions ou limitations peuvent ne pas être applicables dans votre cas.

Cette garantie s'applique seulement lorsque cet appareil ménager est utilisé aux États-Unis ou au Canada.

Cette garantie vous confère des droits juridiques spécifiques et vous pouvez également jouir d'autres droits qui peuvent varier d'un État à l'autre.

**Sears, Roebuck and Co.**  
**Hoffman Estates, IL 60179**  
**Sears Canada Inc.**  
**Toronto, Ontario, Canada M5B 2B8**

### ENREGISTREMENT DU PRODUIT

Inscrivez les numéros de modèle et de série complets et la date d'achat. Vous trouverez ces renseignements sur l'étiquette des numéros de modèle et de série située sur le produit.

Gardez ces renseignements à disposition pour obtenir plus rapidement assistance ou service lorsque vous communiquez avec Sears au sujet de votre appareil ménager.

Numéro de modèle \_\_\_\_\_

Numéro de série \_\_\_\_\_

Date d'achat \_\_\_\_\_

**Conservez ces instructions et votre reçu de vente pour référence ultérieure.**

# SÉCURITÉ DU RÉFRIGÉRATEUR

## Votre sécurité et celle des autres est très importante.

Nous donnons de nombreux messages de sécurité importants dans ce manuel et sur votre appareil ménager. Assurez-vous de toujours lire tous les messages de sécurité et de vous y conformer.



Voici le symbole d'alerte de sécurité.

Ce symbole d'alerte de sécurité vous signale les dangers potentiels de décès et de blessures graves à vous et à d'autres.

Tous les messages de sécurité suivront le symbole d'alerte de sécurité et le mot "DANGER" ou "AVERTISSEMENT". Ces mots signifient :

**⚠ DANGER**

Risque possible de décès ou de blessure grave si vous ne suivez pas immédiatement les instructions.

**⚠ AVERTISSEMENT**

Risque possible de décès ou de blessure grave si vous ne suivez pas les instructions.

Tous les messages de sécurité vous diront quel est le danger potentiel et vous disent comment réduire le risque de blessure et ce qui peut se produire en cas de non-respect des instructions.

## IMPORTANTES INSTRUCTIONS DE SÉCURITÉ

**AVERTISSEMENT :** Pour réduire les risques d'incendie, de choc électrique ou des blessures lors de l'utilisation du réfrigérateur, prendre quelques précautions fondamentales, y compris les suivantes :

- Brancher l'appareil sur une prise à 3 alvéoles reliée à la terre.
- Ne pas enlever la broche de liaison à la terre.
- Ne pas utiliser un adaptateur.
- Ne pas utiliser un câble de rallonge.
- Débrancher la source de courant électrique avant l'entretien.
- Replacer pièces et panneaux avant de faire la remise en marche.
- Enlever les portes de votre vieux réfrigérateur.
- Utiliser un produit de nettoyage ininflammable.
- Garder les matériaux et les vapeurs inflammables, telle que l'essence, loin du réfrigérateur.
- Utiliser deux ou plus de personnes pour déplacer et installer le réfrigérateur.
- Débrancher le réfrigérateur avant l'installation de la machine à glaçons (seulement pour modèles prêts à recevoir une machine à glaçons).
- Utiliser un verre robuste pour prendre des glaçons (sur certains modèles).
- Ne pas heurter les portes en verre du réfrigérateur (sur certains modèles).

## CONSERVEZ CES INSTRUCTIONS

### Mise au rebut adéquate de votre vieux réfrigérateur

**⚠ AVERTISSEMENT**

Risque de suffoquer

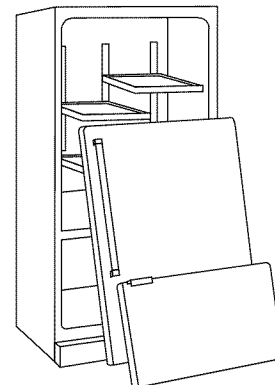
Enlever les portes de votre vieux réfrigérateur.

Le non-respect de cette instruction peut causer un décès ou des lésions cérébrales.

**IMPORTANT :** L'emprisonnement et l'étouffement des enfants ne sont pas un problème du passé. Les réfrigérateurs jetés ou abandonnés sont encore dangereux, même s'ils sont laissés abandonnés pendant "quelques jours seulement". Si vous vous débarrassez de votre vieux réfrigérateur, veuillez suivre les instructions suivantes pour aider à éviter les accidents.

### Avant de jeter votre vieux réfrigérateur ou congélateur :

- Enlever les portes.
- Laisser les tablettes en place de sorte que les enfants ne puissent pas y pénétrer facilement.



# INSTRUCTIONS D'INSTALLATION

## Déballage du réfrigérateur

### **⚠ AVERTISSEMENT**

#### Risque du poids excessif

Utiliser deux ou plus de personnes pour déplacer et installer le réfrigérateur.

Le non-respect de cette instruction peut causer une blessure au dos ou d'autre blessure.

## Enlèvement des matériaux d'emballage

- Enlever le ruban adhésif et la colle des surfaces du réfrigérateur avant de le mettre en marche. Frotter une petite quantité de savon liquide pour la vaisselle sur l'adhésif avec les doigts. Rincer à l'eau tiède et essuyer.
- Ne pas utiliser d'instruments coupants, d'alcool à friction, de liquides inflammables ou de nettoyants abrasifs pour enlever le ruban adhésif ou la colle. Ces produits peuvent endommager la surface de votre réfrigérateur. Pour plus de renseignements, voir "Sécurité du réfrigérateur".
- Jeter ou recycler tous les matériaux d'emballage.

### Déplacement de votre réfrigérateur :

Votre réfrigérateur est lourd. Lors du déplacement de votre réfrigérateur pour le nettoyage ou un entretien ou réparation, veiller à recouvrir le plancher avec du carton ou un panneau de fibres dures pour éviter qu'il ne subisse tout dommage. Toujours tirer le réfrigérateur tout droit lors de son déplacement. Ne pas incliner le réfrigérateur d'un côté ou de l'autre ni le "faire marcher" en essayant de le déplacer car le plancher pourrait être endommagé.

## Nettoyage avant l'utilisation

Après avoir enlevé tous les matériaux d'emballage, nettoyer l'intérieur du réfrigérateur avant de l'utiliser. Voir les instructions de nettoyage dans "Entretien du réfrigérateur".

### Importants renseignements à savoir au sujet des tablettes et des couvercles en verre :

Ne pas nettoyer les tablettes ou couvercles en verre avec de l'eau tiède quand ils sont froids. Les tablettes et les couvercles peuvent se briser s'ils sont exposés à des changements soudains de température ou à un impact tel que coup brusque. Le verre trempé est conçu pour éclater en d'innombrables pièces minuscules. Ceci est normal. Les tablettes et les couvercles en verre sont lourds. Les saisir à deux mains lors de leur dépose afin d'éviter de les faire tomber.

## Exigences d'emplacement

### **⚠ AVERTISSEMENT**



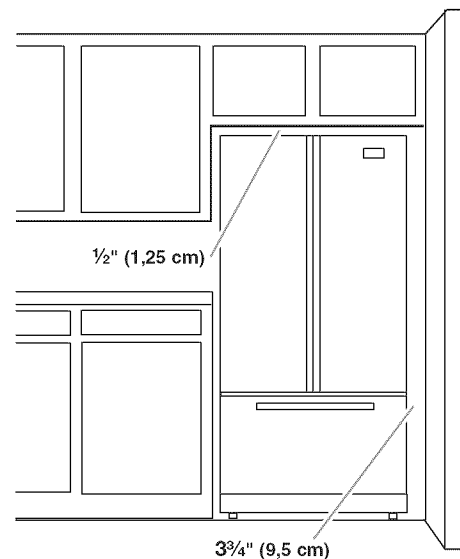
#### Risque d'explosion

Garder les matériaux et les vapeurs inflammables, telle que l'essence, loin du réfrigérateur.

Le non-respect de cette instruction peut causer un décès, une explosion ou un incendie.

Pour assurer une ventilation convenable à votre réfrigérateur, laisser un espace de 1/2" (1,25 cm) en haut et derrière le réfrigérateur. Si votre réfrigérateur comporte une machine à glaçons, s'assurer qu'un espace additionnel est prévu à l'arrière pour permettre les connexions des conduits d'eau. En cas d'installation du réfrigérateur près d'un mur fixe, laisser un minimum de 3/4" (9,5 cm) entre le réfrigérateur et le mur pour permettre l'ouverture de la porte.

**REMARQUE :** Il est recommandé de ne pas installer le réfrigérateur près d'un four, d'un radiateur ou de toute autre source de chaleur. Ne pas installer le réfrigérateur dans un endroit où la température baissera au-dessous de 55°F (13°C).



## Spécifications électriques

### **⚠ AVERTISSEMENT**



#### Risque de choc électrique

**Brancher sur une prise à 3 alvéoles reliée à la terre.**

**Ne pas enlever la broche de liaison à la terre.**

**Ne pas utiliser un adaptateur.**

**Ne pas utiliser un câble de rallonge.**

**Le non-respect de ces instructions peut causer un décès, un incendie ou un choc électrique.**

Avant de placer le réfrigérateur à son emplacement final, il est important de vous assurer d'avoir la connexion électrique appropriée.

#### Méthode recommandée de mise à la terre

Une source d'alimentation de 115 volts, 60 Hz, type 15 ou 20 ampères CA seulement, protégée par fusibles et adéquatement mise à la terre est nécessaire. Il est recommandé d'utiliser un circuit distinct pour alimenter uniquement votre réfrigérateur. Utiliser une prise murale qui ne peut pas être mise hors circuit à l'aide d'un commutateur. Ne pas utiliser de câble de rallonge.

**REMARQUE :** Avant d'exécuter tout type d'installation, nettoyage ou remplacement d'une ampoule d'éclairage, désactiver le refroidissement (mettre la commande Cooling (refroidissement) en position OFF [arrêt]), et déconnecter ensuite le réfrigérateur de la source d'alimentation électrique. Lorsque vous avez terminé, reconnecter le réfrigérateur à la source d'alimentation électrique et réactiver le refroidissement (mettre la commande Cooling en position ON [marche]). Voir "Utilisation des commandes".

## Spécifications de l'alimentation en eau

Rassembler les outils et pièces nécessaires avant de commencer l'installation. Lire et suivre les instructions fournies avec les outils indiqués ici.

#### OUTILLAGE REQUIS :

- Tournevis à lame plate
- Clés plates de 7/16" et 1/2" ou deux clés à molette réglables
- Tourne-écrou de 1/4"
- Foret de 1/4"
- Perceuse sans fil

#### IMPORTANT :

- Toutes les installations doivent être conformes aux exigences des codes locaux de plomberie.
- Ne pas employer de robinet d'arrêt à étrier de 3/16" (4,76 mm) ou de type à percer, ce qui réduit le débit d'eau et cause une obstruction plus facilement.
- Utiliser un tube en cuivre et vérifier s'il y a des fuites. Installer les tubes en cuivre seulement à des endroits où la température se maintient au-dessus du point de congélation.
- Pour les modèles avec filtre à eau, le filtre à eau jetable devrait être remplacé au moins tous les 6 mois.

#### Pression de l'eau

Une alimentation en eau froide avec une pression entre 35 et 120 lb/po<sup>2</sup> (241 et 827 kPa) est nécessaire pour faire fonctionner le distributeur d'eau et la machine à glaçons. Si vous avez des questions au sujet de la pression de votre eau, appeler un plombier qualifié agréé.

#### Alimentation en eau par osmose inverse

**IMPORTANT :** La pression de l'alimentation en eau entre le système d'osmose inverse et la valve d'arrivée d'eau du réfrigérateur doit être entre 35 et 120 lb/po<sup>2</sup> (241 et 827 kPa).

Si un système de purification de l'eau par osmose inverse est raccordé à votre alimentation en eau froide, la pression de l'eau au système doit être d'un minimum de 40 à 60 lb/po<sup>2</sup> (276 à 414 kPa).

Si la pression de l'eau au système d'osmose inverse est inférieure à 40 à 60 lb/po<sup>2</sup> (276 à 414 kPa) :

- Vérifier pour voir si le filtre à sédiment du système d'osmose inverse est bloqué et le remplacer si nécessaire.
- Laisser le réservoir du système d'osmose inverse se remplir après une utilisation intense.
- Si votre réfrigérateur a un filtre à eau, celui-ci peut réduire encore plus la pression de l'eau lorsqu'il est utilisé avec un système d'osmose inverse. Retirer le filtre à eau. Voir "Système de filtration de l'eau".

Si vous avez des questions au sujet de la pression de votre eau, appelez un plombier qualifié agréé.

## Raccordement de la canalisation d'eau

Lire toutes les instructions avant de commencer.

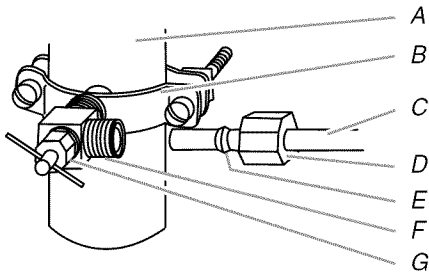
**IMPORTANT :** Si on doit utiliser le réfrigérateur avant qu'il soit raccordé à la canalisation d'eau, placer la commande de la machine à glaçons à la position OFF (arrêt).

### Raccordement à une canalisation d'eau

1. Débrancher le réfrigérateur ou déconnecter la source de courant électrique.
2. FERMER le robinet principal d'arrivée d'eau. OUVRIER le robinet de puisage le plus proche pendant une période suffisante pour que la canalisation d'eau se vide.
3. Trouver une canalisation d'eau froide verticale de 1/2" à 1 1/4" (12,7 mm à 31,8 mm) près du réfrigérateur.

**IMPORTANT :**

- Assurez-vous qu'il s'agit d'un conduit d'eau froide.
  - Un conduit horizontal fonctionnera, mais le procédé suivant doit être suivi : percer par le dessus de la canalisation et non pas par le dessous. Ainsi, l'eau ne risquera pas d'arroser la perceuse. Ceci empêche également les sédiments qu'on trouve normalement dans l'eau de s'accumuler dans le robinet.
4. Pour déterminer la longueur du tube en cuivre, il faut mesurer la distance séparant le point de connexion situé à l'arrière du réfrigérateur et la canalisation d'eau. Ajouter une longueur de 7 pi (2,1 m) pour permettre le déplacement du réfrigérateur pour le nettoyage. Utiliser un tube en cuivre de 1/4" (6,35 mm) de diamètre extérieur. Veiller à ce que le tube soit coupé d'équerre aux deux extrémités.
  5. À l'aide d'une perceuse sans fil, percer un trou de 1/4" dans le tuyau de canalisation d'eau froide choisie.



A. Canalisation d'eau froide  
 B. Bride de tuyau  
 C. Tube en cuivre  
 D. Écrou de compression  
 E. Bague de compression  
 F. Robinet d'arrêt  
 G. Écrou de serrage

6. Fixer le robinet d'arrêt sur la canalisation d'eau froide avec la bride de tuyau. Vérifier que le raccord de sortie du robinet est bien engagé dans le trou de 1/4" percé dans la canalisation et que la rondelle d'étanchéité est placée sous la bride de tuyau. Serrer l'écrou de serrage. Serrer lentement et uniformément les vis de la bride de tuyau afin que la rondelle forme une jonction étanche. Ne pas serrer excessivement.
7. Enfiler l'écrou et la bague de compression du raccord sur le tube en cuivre comme on le voit sur l'illustration. Insérer l'extrémité du tube aussi loin que possible dans le raccord de sortie du robinet. Visser l'écrou de compression sur le raccord de sortie avec une clé à molette. Ne pas serrer excessivement car ceci pourrait provoquer l'écrasement du tube en cuivre.

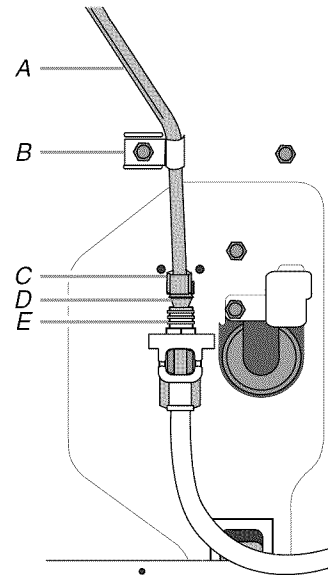
8. Placer le bout libre du tube dans un contenant ou évier et OUVRIER le robinet principal d'arrivée d'eau. Laisser l'eau s'écouler par le tube jusqu'à ce que l'eau soit limpide. FERMER le robinet principal d'arrivée d'eau.

### Raccordement au réfrigérateur

Selon le modèle, la canalisation d'eau peut être configurée vers le haut ou vers le bas. Suivre les instructions de raccordement appropriées à votre modèle.

#### Style 1

1. Enlever le capuchon de plastique de la valve d'entrée d'eau. Connecter le tube en cuivre au robinet d'eau en utilisant un écrou et une bague de compression tel qu'illustré. Serrer l'écrou de compression. Ne pas serrer excessivement. Vérifier que le tube en cuivre est fixé solidement en tirant sur le tube en cuivre.
2. Créer une boucle de service avec le tube de cuivre. Éviter les déformations en pliant le tube de cuivre. Fixer le tube en cuivre à la caisse du réfrigérateur avec une bride en "P".



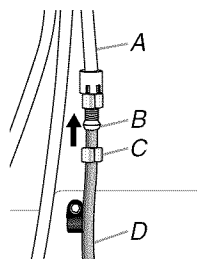
A. Tube en cuivre  
 B. Bride en "P"  
 C. Écrou de compression  
 D. Bague de compression  
 E. Valve d'entrée d'eau

3. Ouvrir l'arrivée d'eau au réfrigérateur et vérifier s'il y a des fuites. Corriger toute fuite.

#### Style 2

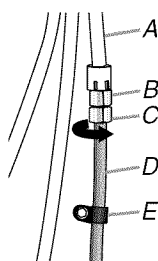
1. Créer une boucle de service (diamètre minimum de 2 pi [61 cm]) avec le tube de cuivre. Éviter les déformations en pliant le tube de cuivre.
2. Retirer le capuchon de plastique de l'orifice du robinet d'arrivée d'eau. Placer un écrou et une bague de compression sur le tube de cuivre.
3. Insérer l'extrémité du tube de cuivre dans l'orifice d'arrivée d'eau. Ajuster le tube de cuivre de façon à ce qu'il s'adapte parfaitement à l'orifice d'arrivée d'eau pour éviter les déformations.

4. Faire glisser l'écrou de compression sur la bague, serrer pour le fixer sur l'orifice d'arrivée d'eau.



A. Tube en plastique pour canalisation d'eau  
B. Bague  
C. Écrou de compression  
D. Tube de cuivre

5. À l'aide d'une clé à molette, fixer l'écrou sur la canalisation d'eau pour l'empêcher de se déplacer. Ensuite, à l'aide d'une deuxième clé, tourner l'écrou sur le tube de cuivre dans le sens antihoraire pour serrer complètement. Ne pas serrer excessivement.



A. Canalisation d'eau en plastique  
B. Orifice d'arrivée d'eau  
C. Écrou de compression  
D. Tube de cuivre  
E. Bride en "P"

6. Vérifier la solidité du raccordement en tirant sur le tube de cuivre. Fixer le tube de cuivre à la caisse du réfrigérateur à l'aide d'une bride en "P". Ouvrir la canalisation d'eau du réfrigérateur et inspecter s'il y a des fuites. Corriger toute fuite.

## Achever l'installation

### ⚠ AVERTISSEMENT



#### Risque de choc électrique

**Brancher sur une prise à 3 alvéoles reliée à la terre.**

**Ne pas enlever la broche de liaison à la terre.**

**Ne pas utiliser un adaptateur.**

**Ne pas utiliser un câble de rallonge.**

**Le non-respect de ces instructions peut causer un décès, un incendie ou un choc électrique.**

1. Brancher le réfrigérateur sur une prise à 3 alvéoles reliée à la terre.

**REMARQUE :** Prévoir un délai de 24 heures pour la production du premier lot de glaçons. Jeter les trois premiers lots de glaçons produits. Prévoir un délai de 3 jours pour le remplissage complet du récipient à glaçons.

## Porte(s) et tiroir du réfrigérateur

Les illustrations sont incluses plus loin dans cette section.

### Enlèvement et réinstallation des poignées

1. À l'aide d'une clé Allen de  $\frac{3}{32}$ ", desserrer les deux vis de retenue situées sur le côté de chaque poignée. Voir les illustrations 1 et 2.
2. Tirer sur la poignée tout droit pour la sortir de la porte. S'assurer de garder les vis pour réinstaller les poignées.
3. Pour réinstaller les poignées, suivre les instructions dans l'ordre inverse.

### Enlèvement des portes et des charnières

### ⚠ AVERTISSEMENT



#### Risque de choc électrique

**Déconnecter la source de courant électrique avant d'enlever les portes.**

**Le non-respect de cette instruction peut causer un décès ou un choc électrique.**

#### IMPORTANT :

- Retirer les aliments et tout balconnet réglable ou compartiment utilitaire des portes.



- Toutes les illustrations mentionnées dans les instructions suivantes sont incluses plus loin dans cette section après "Étapes finales".

**OUTILLAGE REQUIS :** Clés à douille à tête hexagonale de 5/16", 3/8" et 1/4", tournevis Phillips n° 2 et tournevis à lame plate.

1. Débrancher le réfrigérateur ou déconnecter la source de courant électrique.
2. Laisser les portes du réfrigérateur fermées jusqu'à ce vous soyez prêt à les détacher de la caisse.  
**REMARQUE :** Prévoir un support additionnel des portes pendant le retrait des charnières. La force d'attraction des aimants des portes ne suffit pas à les maintenir en place.
3. En commençant par la porte du côté droit, ôter les pièces de la charnière supérieure – voir l'illustration de la charnière supérieure. Soulever la porte du réfrigérateur de l'axe de la charnière inférieure.
4. Avant de retirer la porte du côté gauche, déconnecter la fiche de branchement située sur la partie supérieure de la charnière supérieure en coinçant un tournevis à lame plate ou votre ongle entre les deux sections. Voir l'illustration de la Fiche de branchement.  
**REMARQUE :** Le conducteur vert et le conducteur de liaison à la terre restent fixés à la charnière.
5. Enlever les pièces de la charnière supérieure - voir l'illustration de la charnière supérieure. Soulever la porte du côté gauche de l'axe de la charnière inférieure.

### Réinstallation des portes et des charnières

1. Assembler les pièces de la charnière supérieure. Voir l'illustration de la charnière supérieure. Ne pas complètement serrer les vis.
2. Replacer les pièces de la charnière inférieure. Voir l'illustration de la charnière inférieure. Resserrer les vis. Replacer la porte du réfrigérateur.  
**REMARQUE :** Prévoir un support supplémentaire pour la porte du réfrigérateur pendant le déplacement des charnières. La force d'attraction des aimants des portes ne suffit pas à les maintenir en place.
3. Aligner correctement le bas de la porte du réfrigérateur avec le dessus du tiroir de congélation. Serrer toutes les vis.
4. Reconnecter la fiche de branchement sur la partie supérieure de la porte du côté gauche du réfrigérateur.
5. Réinstaller les caches de la charnière supérieure.

### Dépose et réinstallation de l'avant du tiroir de congélation

**IMPORTANT :** Deux personnes peuvent être nécessaires pour retirer et réinstaller l'avant du tiroir de congélation. Les illustrations sont incluses plus loin dans cette section.

#### Dépose de l'avant du tiroir

1. Ouvrir le tiroir de congélation complètement.
2. Desserrer les quatre vis fixant les glissières du tiroir à l'avant du tiroir. Voir l'illustration de dépose de l'avant du tiroir.  
**REMARQUE :** Desserrer les vis en appliquant trois à quatre tours. Laisser les vis sur l'avant du tiroir.
3. Glisser l'avant du tiroir vers le haut et hors des vis. Voir l'illustration de dépose de l'avant du tiroir.

#### Réinstallation de l'avant du tiroir

1. Tirer les glissières du tiroir hors du compartiment de congélation. Insérer les vis au sommet de l'avant du tiroir dans les trous situés sur les brides du tiroir. Voir l'illustration de réinstallation de l'avant du tiroir.
2. Tirer les brides du tiroir vers soi pour placer les deux vis au bas de l'avant du tiroir dans les brides. Voir l'illustration de réinstallation de l'avant du tiroir.
3. Serrer complètement les quatre vis.

### Étapes finales

## ⚠ AVERTISSEMENT



#### Risque de choc électrique

**Brancher sur une prise à 3 alvéoles reliée à la terre.**

**Ne pas enlever la broche de liaison à la terre.**

**Ne pas utiliser un adaptateur.**

**Ne pas utiliser un câble de rallonge.**

**Le non-respect de ces instructions peut causer un décès, un incendie ou un choc électrique.**

1. Brancher sur une prise à 3 alvéoles reliée à la terre.
2. Réinstaller toutes les pièces amovibles dans les portes; y ranger les aliments.



# ⚠ AVERTISSEMENT

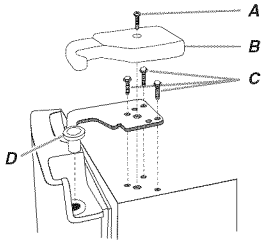
Risque de choc électrique

Déconnecter la source de courant électrique avant d'enlever les portes.

Le non-respect de cette instruction peut causer un décès ou un choc électrique.

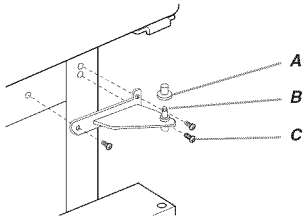
## Dépose et réinstallation des portes

### Charnières supérieures



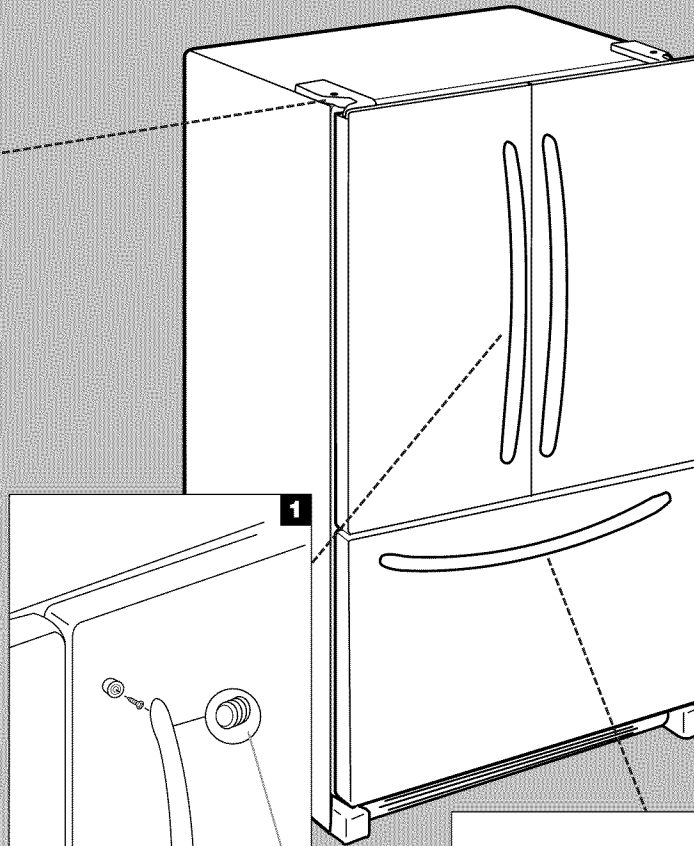
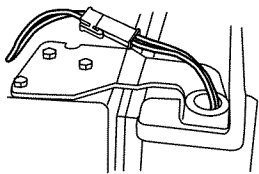
- A. Vis du couvercle de la charnière
- B. Couvercle de la charnière supérieure
- C. Vis de charnière à tête hexagonale de  $\frac{5}{16}$ "
- D. Charnière supérieure

### Charnières inférieures

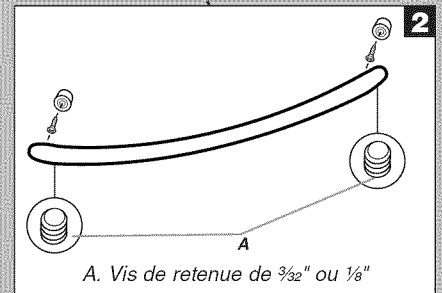


- A. Couvercle de l'axe de la charnière
- B. Charnière inférieure
- C. Vis de charnière

### Fiche de branchement

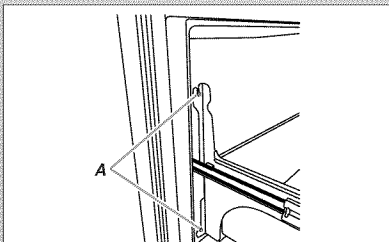


A. Vis de retenue de  $\frac{3}{32}$ " ou  $\frac{1}{8}$ "

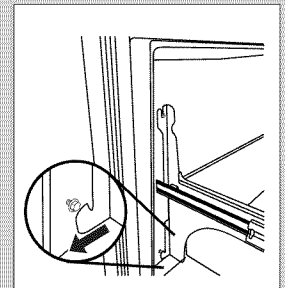
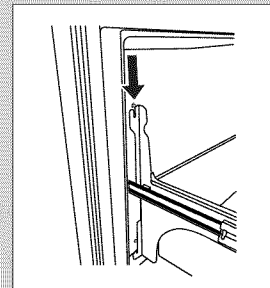
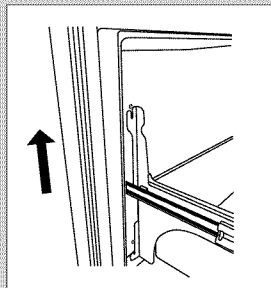


A. Vis de retenue de  $\frac{3}{32}$ " ou  $\frac{1}{8}$ "

## Dépose de l'avant du tiroir



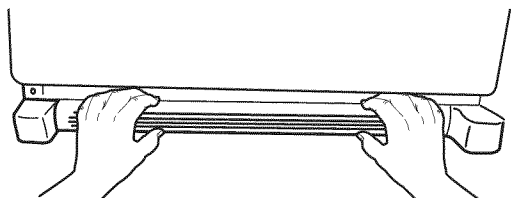
A. Desserrer les 4 vis de la bride de porte



## Ajustement de la porte

Selon votre modèle, le réfrigérateur peut comporter deux roulettes réglables (**Style 1**) ou deux vis de réglage de l'aplomb (**Style 2**) situées à la base du réfrigérateur. Si votre réfrigérateur semble instable ou si vous désirez que la porte se ferme plus facilement, suivre les instructions ci-dessous.

1. Retirer la grille de la base. Tenir la grille fermement et tirer vers soi pour la détacher.



2. Soulever ou abaisser la caisse.

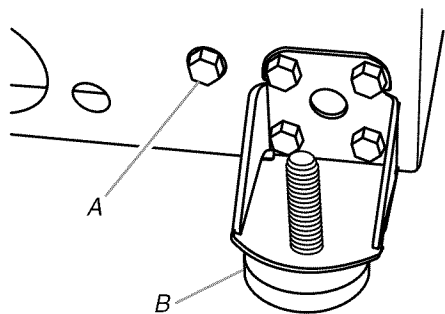
### Style 1 - Nivellement avant

À l'aide d'un tournevis à tête hexagonale de  $\frac{3}{8}$ " , tourner les vis de réglage des roulettes pour soulever et abaisser chaque côté du réfrigérateur.

**REMARQUE :** Si une autre personne pousse le haut du réfrigérateur, le poids devient moins lourd sur les vis de réglage et les roulettes, ce qui rend plus facile l'ajustement des vis. Il peut être nécessaire de tourner les vis de réglage des roulettes de plusieurs tours pour ajuster l'inclinaison du réfrigérateur.

- Pour soulever, tourner la vis de réglage des roulettes vers la droite.
- Pour abaisser, tourner la vis de réglage des roulettes vers la gauche.

Faire tourner le pied de stabilisation dans le sens horaire pour le placer fermement en contact avec le sol, pour que le réfrigérateur ne puisse rouler vers l'avant lors de l'ouverture du tiroir du congélateur.



A. Vis de réglage des roulettes avant  
B. Pied de stabilisation

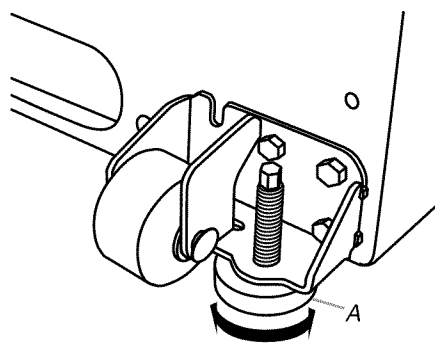
### Style 2 - Vis de réglage de l'aplomb

À l'aide d'un tournevis à tête hexagonale de  $\frac{1}{4}$ " , tourner la vis de réglage de l'aplomb pour soulever et abaisser chaque côté du réfrigérateur.

**REMARQUE :** Si une autre personne pousse le haut du réfrigérateur, le poids devient moins lourd sur la vis de réglage de l'aplomb, ce qui rend plus facile l'ajustement des vis. Il peut être nécessaire de tourner la vis de réglage de l'aplomb de plusieurs tours pour ajuster l'inclinaison du réfrigérateur.

- Pour soulever, tourner la vis de réglage de l'aplomb dans le sens horaire.

- Pour abaisser, tourner la vis de réglage de l'aplomb dans le sens antihoraire.



A. Vis de réglage de l'aplomb

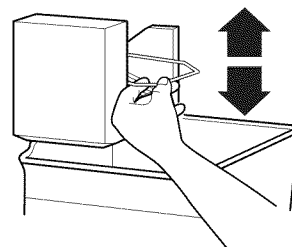
3. Ouvrir de nouveau la porte et s'assurer qu'elle ferme aussi facilement que vous l'aimez. Sinon, incliner légèrement le réfrigérateur vers l'arrière en tournant les deux vis avant de réglage des roulettes dans le sens horaire. Il faudra peut-être plusieurs tours et vous devriez tourner les deux vis de réglage des roulettes de façon égale.
4. Réinstaller la grille de la base.

## Préparation du système d'eau

Veuillez lire avant l'utilisation du système d'eau.

Immédiatement après l'installation, suivre les étapes ci-dessous pour avoir la certitude que le système d'eau est bien nettoyé.

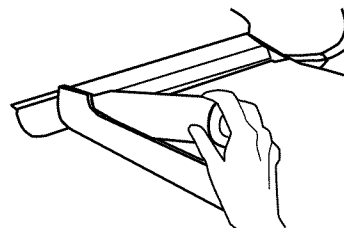
1. Arrêter la machine à glaçons en ouvrant la porte du congélateur et en soulevant le bras de commande en broche comme illustré.



2. Installer le filtre à eau intérieur. La bride de montage du filtre à eau intérieur est située du côté gauche du compartiment de réfrigération.

Ne pas utiliser pour le filtrage d'une eau microbiologiquement polluée ou de qualité inconnue en l'absence d'un dispositif de désinfection adéquat avant ou après le système. Les systèmes certifiés pour la réduction de kyste peuvent être utilisés pour l'eau désinfectée qui peut contenir des kystes filtrables.

- Enlever le capuchon bleu de déviation et le garder pour utilisation ultérieure.
- Enlever le filtre à eau intérieur de son emballage. Enlever l'étiquette de scellement au bout du filtre et l'insérer dans la tête du filtre.
- Tourner délicatement le filtre dans le sens horaire jusqu'à son arrêt et enclencher le couvercle du filtre pour le fermer.



- Appuyer sur le bouton d'eau du tableau de commande du distributeur. Utiliser un récipient robuste pour appuyer sur le levier du distributeur pendant 5 secondes, puis relâcher pendant 5 secondes. Répéter l'opération jusqu'à ce que l'eau commence à couler. Une fois que l'eau commence à couler, répéter l'opération (appui sur le levier du distributeur pendant 5 secondes puis relâchement pendant 5 secondes) pendant 2 minutes supplémentaires. Ceci permettra d'évacuer l'air du filtre et du système de distribution d'eau. Une vidange supplémentaire peut être nécessaire dans certains domiciles. Pendant l'évacuation de l'air du système, de l'eau peut gicler du distributeur.

**REMARQUE :** Après cinq minutes de distribution d'eau continue, le distributeur cessera la distribution afin d'éviter une inondation. Pour poursuivre la distribution, enlever le récipient et appuyer à nouveau sur le levier du distributeur.

- Inspecter le système de filtre pour les fuites d'eau. Si vous constatez des fuites d'eau, voir la section "Dépannage".
- Mettre la machine à glaçons en marche en ouvrant la porte du congélateur et en abaissant le bras de commande en broche comme illustré. Veuillez consulter la section "Machine à glaçons" pour d'autres instructions sur le fonctionnement de la machine à glaçons.
  - Accorder 24 heures pour produire la première quantité de glaçons.
  - Jeter les trois premières quantités de glaçons produites.

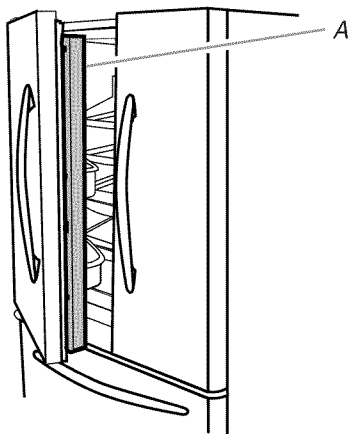
## UTILISATION DU RÉFRIGÉRATEUR

### Ouverture et fermeture des portes

Il y a deux portes pour le compartiment de réfrigération. Les portes peuvent être ouvertes et fermées séparément ou ensemble.

Il y a sur la porte de gauche du réfrigérateur un joint à charnière verticale.

- Lors de l'ouverture de la porte du côté gauche, le joint à charnière se replie automatiquement pour qu'il n'y ait pas d'interférence.
- Lorsque les deux portes sont fermées, le joint à charnière assure automatiquement l'étanchéité entre les deux portes.



A. Joint à charnière

## Utilisation des commandes

### IMPORTANT :

- Lorsque l'appareil est sous tension, l'afficheur indique la température réelle du compartiment.
- Attendre 24 heures avant de placer des aliments dans le réfrigérateur. Si vous ajoutez des aliments avant que le réfrigérateur ait complètement refroidi, vos aliments peuvent être abîmés.

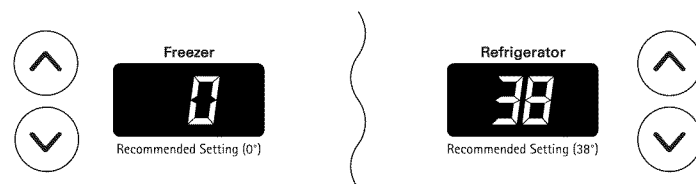
**REMARQUE :** Tourner les commandes du réfrigérateur et du congélateur à un réglage plus élevé (plus froid) que le réglage recommandé ne refroidira pas les compartiments plus vite.

- Les réglages recommandés devraient convenir à un usage domestique normal. Les commandes sont réglées correctement lorsque le lait ou le jus est aussi froid que vous l'aimez et lorsque la crème glacée est ferme.
- Si la température est trop élevée ou trop basse dans les compartiments de réfrigération ou de congélation, vérifier d'abord les ouvertures d'aération pour s'assurer qu'elles ne sont pas bloquées avant d'ajuster les commandes.

### Commandes de température

Pour votre commodité, les commandes de température sont pré-réglées à l'usine. Lors de l'installation initiale du réfrigérateur, s'assurer que les commandes sont encore pré-réglées aux points de réglage recommandés tel qu'illustré.

#### Réglages recommandés



### Désactivation/activation du refroidissement :

Appuyer sur la flèche vers le haut du congélateur jusqu'à ce que OFF (arrêt) apparaisse sur l'affichage. Aucun compartiment ne refroidira. Appuyer sur la flèche vers le bas du congélateur ou du réfrigérateur pour remettre en marche le refroidissement.

### Ajustement des réglages de commande

La commande du RÉFRIGÉRATEUR règle la température du compartiment de réfrigération. La commande du CONGÉLATEUR règle la température du compartiment de congélation.

S'il est nécessaire d'ajuster la température dans le compartiment de réfrigération ou de congélation, utiliser les réglages indiqués dans le tableau ci-dessous comme guide.

### Pour ajuster les réglages de température :

Lorsqu'on appuie une première fois sur la flèche vers le haut ou vers le bas, le point de réglage actuel de la température s'affiche. L'affichage indique le point de réglage pendant environ 3 secondes puis revient à la température réelle.

- Appuyer sur les touches vers le haut ou vers le bas jusqu'à l'affichage du point de réglage désiré de la température.

**REMARQUE :** Ne pas ajuster les commandes de température de plus d'un cran à la fois, sauf lors de la mise en marche initiale du réfrigérateur. Attendre 24 heures entre les ajustements pour que la température puisse se stabiliser.

CONDITION/RAISON :	AJUSTEMENT :
RÉFRIGÉRATEUR trop tiède	Tourner le réglage de température du RÉFRIGÉRATEUR 1° plus bas
CONGÉLATEUR trop tiède/trop peu de glaçons	Tourner le réglage de température du CONGÉLATEUR 1° plus bas
RÉFRIGÉRATEUR trop froid	Tourner le réglage de température du RÉFRIGÉRATEUR 1° plus haut
CONGÉLATEUR trop froid	Tourner le réglage de température du CONGÉLATEUR 1° plus haut

### Autres caractéristiques du centre de commande

#### Grocery Savor (refroidissement maximum)

La caractéristique Grocery Savor est utile lors de périodes d'utilisation intense du réfrigérateur, de l'ajout d'un grand nombre d'aliments ou de l'élévation temporaire de la température de la pièce.

- Appuyer sur la touche Grocery Savor pour régler le congélateur et le réfrigérateur aux réglages de température les plus bas. Appuyer à nouveau sur la touche Grocery Savor pour revenir au point de réglage normal du réfrigérateur.

**REMARQUE :** La caractéristique Grocery Savor s'éteindra automatiquement au bout de 12 heures environ. Lorsque la fonction Grocery Savor est activée, la température ne peut être ajustée dans aucun des compartiments.



#### Acceler-Ice (glaçons rapides)

La fonction Acceler-Ice augmente la production de glaçons, ce qui est utile en période d'utilisation intense de glaçons.

- Appuyer sur Acceler-Ice pour régler le congélateur aux réglages de température les plus bas. Appuyer à nouveau sur Acceler-Ice pour remettre le congélateur au point de réglage normal.

**REMARQUE :** La fonction Acceler-Ice s'arrêtera automatiquement environ 24 heures après. Lorsque cette fonction est activée, la température du congélateur ne peut pas être ajustée.



#### Door Ajar (avertisseur de la porte)

La caractéristique Door Ajar fait retentir une sonnerie toutes les quelques secondes lorsque la porte du réfrigérateur a été laissée ouverte continuellement pendant 5 minutes. La sonnerie retentira jusqu'à ce que la porte soit fermée ou que la caractéristique Door Ajar soit désactivée. Les lampes s'éteignent si une des portes est laissée ouverte pendant 6 minutes en continu. En fermant toutes les portes pendant 1 seconde, les lampes se rallument.

- Appuyer sur la touche Door Ajar pour activer ou désactiver cette caractéristique. Le témoin lumineux est allumé lorsque la caractéristique Door Ajar est activée.



#### Humidity Control (contrôle de l'humidité) (sur certains modèles)

La caractéristique Humidity Control déclenche la mise en marche d'un élément chauffant, qui aide à réduire l'humidité sur le joint de charnière de la porte. Utiliser dans des environnements humides ou en cas d'humidité sur le joint de charnière de la porte. Le réfrigérateur consomme plus d'énergie lors de l'activation de cette caractéristique.

- Appuyer sur la touche Humidity Control lorsque l'environnement est chaud et plus humide, ou si vous notez de l'humidité sur le joint de charnière de la porte. Le témoin lumineux s'allumera lors de l'activation de cette caractéristique.
- Appuyer de nouveau sur Humidity Control (contrôle d'humidité) pour ÉTEINDRE et économiser de l'énergie lorsque l'environnement est moins humide.



#### Temp Alarm (alarme de dépassement de température) (sur certains modèles)

La caractéristique Temp Alarm (alarme de dépassement de température) fournit des renseignements sur la température en cas de panne de courant.

**Panne de courant :** Au cours d'une panne de courant, si les températures dans les compartiments de réfrigération et de congélation excèdent les températures de fonctionnement normales, la plus haute température atteinte sera affichée.

- Pour activer cette caractéristique, appuyer sur la touche Temp Alarm jusqu'à ce que le témoin lumineux s'allume. Pour désactiver cette caractéristique, appuyer sur Temp Alarm pendant 3 secondes jusqu'à ce que le témoin lumineux s'éteigne.

**Dispositif d'alarme de la température :** Un signal d'alarme sera émis à plusieurs reprises si les températures dans les compartiments de réfrigération ou de congélation excèdent les températures de fonctionnement normales pendant une heure ou plus.

L'affichage indique alternativement les températures actuelles et les températures les plus élevées atteintes dans les compartiments.

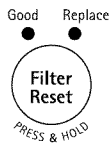
- Appuyer une fois sur la touche Temp Alarm pour arrêter le signal sonore et l'alternance d'affichage des températures. Le témoin Temp Alarm continue de clignoter jusqu'à ce que le réfrigérateur revienne à la température réglée.



### Filter Reset (réinitialisation du filtre) (sur certains modèles)

La commande Filter Reset permet de réactiver la fonction de suivi du statut du filtre à eau à chaque fois que vous remplacez le filtre. Voir "Système de filtration de l'eau".

- Appuyer sur la touche Filter Reset pendant 3 secondes, jusqu'à ce que le témoin lumineux Replace (remplacer) s'éteigne.



---

## Préférences de l'utilisateur

---

Le centre de commande vous permet de régler les préférences de l'utilisateur si désiré.

### Affichage de la température (F\_C)

Cette préférence vous permet de modifier l'affichage de la température.

F - Température en degrés Fahrenheit

C - Température en degrés Celsius

### Alarme (AL)

Cette préférence vous permet de désactiver le son de toutes les alarmes.

ON (marche) – Le son de l'alarme sera audible.

OFF (arrêt) – Le son de l'alarme ne sera pas audible.

### Mode Sabbat (SAB)

ON - Tous les éclairages du centre de commande et les signaux d'alarme sont désactivés.

OFF - Tous les éclairages du centre de commande et les signaux d'alarme sont activés.

**REMARQUE :** Appuyer sur la touche Door Ajar (avertisseur de la porte) pendant 3 secondes pour rallumer tous les éclairages.

### Pour accéder au menu des préférences de l'utilisateur :

1. Appuyer sur la touche Door Ajar (avertisseur de la porte) pendant 3 secondes. Le nom de la préférence apparaît sur l'affichage du congélateur et le statut de la préférence (F/C) ou (ON/OFF) apparaît sur l'affichage du réfrigérateur.
2. Utiliser les touches (+) ou (-) du congélateur pour faire défiler les noms de préférence. Lorsque le nom de la préférence désirée s'affiche, appuyer sur les touches (+) ou (-) du réfrigérateur pour modifier le statut de la préférence.
3. Enregistrer les préférences en appuyant sur la touche Door Ajar (avertisseur de la porte) pendant 3 secondes.

---

## Distributeur d'eau (sur certains modèles)

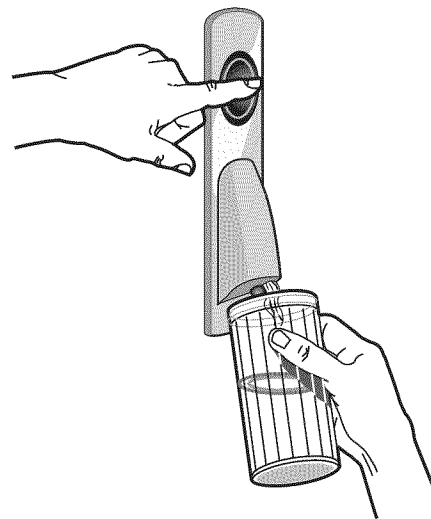
### IMPORTANT :

- Si le système d'eau n'a pas été vidangé lors de l'installation initiale du réfrigérateur, voir "Préparation du système d'eau" pour les instructions sur la purge du système d'eau.
- Accorder 24 heures pour que le réfrigérateur se refroidisse et rafraîchisse l'eau. Puiser une quantité suffisante d'eau chaque semaine pour maintenir un approvisionnement frais.

### Distribution d'eau

1. Tenir un récipient sous le distributeur tout en appuyant sur le bouton.

2. Relâcher le bouton pour arrêter la distribution.



---

## Système de filtration d'eau (sur certains modèles)

Le filtre à eau est situé dans le coin supérieur droit du compartiment de réfrigération.

Ne pas utiliser pour le filtrage d'une eau microbiologiquement polluée ou de qualité inconnue en l'absence d'un dispositif de désinfection adéquat avant ou après le système. Les systèmes certifiés pour la réduction de kyste peuvent être utilisés pour l'eau désinfectée qui peut contenir des kystes filtrables.

---

## État du filtre à eau

---

### Modèles avec témoin lumineux

- Le filtre à eau jetable doit être remplacé lorsque le témoin lumineux Replace (remplacer) est allumé, ou au moins tous les 6 mois. Si le débit d'eau au distributeur d'eau ou à la machine à glaçons diminue de façon marquée avant que 6 mois ne se soient écoulés, remplacer le filtre à eau plus souvent.
- Après remplacement du filtre à eau, appuyer sur Réinitialisation du filtre pendant 3 secondes jusqu'à ce que les témoins Order ou Replace (remplacer) s'éteignent. Voir "Utilisation des commandes".

### Modèles sans témoin lumineux

- Le filtre à eau jetable doit être remplacé au moins tous les 6 mois. Si le débit d'eau au distributeur d'eau ou à la machine à glaçons diminue de façon notable avant 6 mois, remplacer le filtre à eau plus souvent.

---

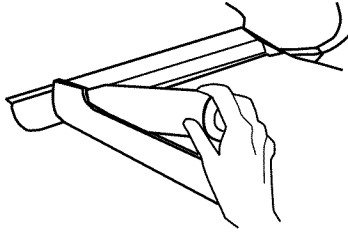
## Remplacement du filtre à eau

---

**IMPORTANT :** L'air emprisonné dans le système peut causer l'éjection de l'eau et du filtre à eau. Faire couler l'eau pendant au moins 2 minutes avant d'enlever le filtre à eau ou le capuchon bleu de déviation.

1. Tourner le filtre usé dans le sens antihoraire jusqu'à ce qu'il se dégage de la bride de montage du filtre.
2. Vider l'eau du filtre à eau dans l'évier et jeter le filtre à eau usé. Essuyer l'excès d'eau dans le couvercle du filtre.

3. Enlever l'étiquette de scellement de l'extrémité du filtre neuf et l'insérer dans la bride de montage du filtre. Tourner délicatement le filtre dans le sens horaire jusqu'à ce que le filtre s'arrête, et enclencher le couvercle du filtre fermé.



4. Vidanger le système d'eau. Voir la section "Préparation du système d'eau".
5. Inspecter le système de filtre pour les fuites d'eau. Si vous constatez des fuites d'eau, voir "Dépannage".

### Utilisation du distributeur sans filtre à eau

On peut utiliser le distributeur d'eau sans filtre à eau, mais l'eau ne sera pas filtrée. Si vous choisissez cette option, remplacer le filtre avec le capuchon bleu de déviation.

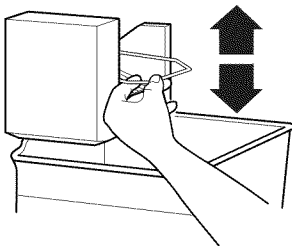
## Machine à glaçons (sur certains modèles)

### Mise en marche/arrêt de la machine à glaçons

Pour mettre la machine à glaçons en MARCHE, il suffit d'abaisser le bras de commande en broche.

Pour ARRÊTER manuellement la machine à glaçons, soulever le bras de commande en broche à la position OFF (élevée) et attendre le clic.

**REMARQUE :** Votre machine à glaçons a un arrêt automatique. Au fur et à mesure de la fabrication de la glace, les glaçons remplissent le bac d'entreposage de glaçons. Les glaçons soulèvent le bras de commande en broche à la position OFF (élevée). Ne pas forcer le bras de commande en broche vers le haut ou vers le bas.



### Taux de production des glaçons

- La machine à glaçons devrait produire une quantité de glaçons complète environ toutes les 3 heures.
- Pour augmenter la production de glaçons, diminuer la température du congélateur et du réfrigérateur. Voir "Utilisation des commandes". Attendre 24 heures entre les ajustements.

### À noter

- Accorder 24 heures pour produire la première quantité de glaçons. Jeter les trois premières quantités de glaçons produites.

- La qualité de vos glaçons dépend de la qualité de l'eau fournie à votre machine à glaçons. Éviter de brancher la machine à glaçons à un approvisionnement d'eau adoucie. Les produits chimiques adoucisseurs d'eau (tels que le sel) peuvent endommager des pièces de la machine à glaçons et causer une piètre qualité des glaçons. Si une alimentation d'eau adoucie ne peut pas être évitée, s'assurer que l'adoucisseur d'eau fonctionne bien et qu'il est bien entretenu.
- Ne pas garder quoi que ce soit sur le dessus de la machine à glaçons ou dans le bac à glaçons.

## CARACTÉRISTIQUES DU RÉFRIGÉRATEUR

Votre modèle peut comporter certaines ou toutes ces caractéristiques.

### Importants renseignements à savoir au sujet des tablettes et des couvercles en verre :

Ne pas nettoyer les tablettes ou couvercles en verre avec de l'eau tiède quand ils sont froids. Les tablettes et les couvercles peuvent se briser s'ils sont exposés à des changements soudains de température ou à un impact tel que coup brusque. Le verre trempé est conçu pour éclater en d'innombrables pièces minuscules. Ceci est normal. Les tablettes et les couvercles en verre sont lourds. Les saisir à deux mains lors de leur dépose afin d'éviter de les faire tomber.

### Tablettes du réfrigérateur

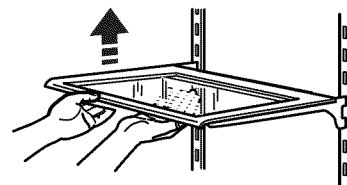
Les tablettes dans votre réfrigérateur peuvent être réglées pour correspondre à vos besoins de rangement individuels.

Le remisage d'aliments semblables ensemble dans le réfrigérateur et le réglage des tablettes pour convenir à différentes hauteurs d'articles alimentaires et de contenants, permettront de trouver l'article désiré plus facilement et réduiront aussi le temps d'ouverture de la porte du réfrigérateur, ce qui économisera de l'énergie.

### Tablettes et cadres de tablette

#### Pour retirer et réinstaller une tablette/un cadre de tablette :

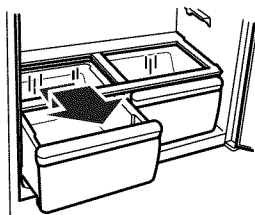
1. Retirer le cadre/la tablette en inclinant le devant vers le haut et en le soulevant hors des supports de tablette.
2. Réinstaller le cadre/la tablette en guidant les crochets arrière de la tablette dans les supports de tablette. Incliner le devant de la tablette vers le haut jusqu'à ce que les crochets arrière tombent dans les supports de tablette.
3. Abaisser le devant de la tablette et s'assurer que la tablette est fixée solidement en place.



## Bac à légumes et couvercle

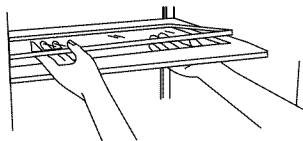
### Pour retirer et réinstaller le(s) bac(s) à légumes :

1. Faire glisser le(s) bac(s) tout droit jusqu'à la butée. Soulever le devant du ou des bac(s) et glisser le reste du ou des bac(s) complètement vers l'extérieur.
2. Réinstaller le(s) bac(s) en les faisant glisser complètement au-delà de la butée.



### Pour retirer le couvercle du ou des bac(s) :

1. Retirer le(s) bac(s).
2. En retenant fermement d'une main l'insertion en verre, pousser vers le haut au centre de l'insertion en verre jusqu'à ce qu'elle se soulève hors du cadre en plastique. Glisser délicatement l'insertion en verre vers l'avant pour la retirer.
3. Soulever le cadre du couvercle et le retirer.



### Pour réinstaller le couvercle du ou des bac(s) :

1. Introduire l'arrière du cadre du couvercle dans les supports sur les parois latérales du réfrigérateur et abaisser le devant du cadre du couvercle en place.
2. Faire glisser l'arrière de l'insertion en verre dans le cadre du couvercle et abaisser le devant en place.

## Réglage de l'humidité dans le bac à légumes

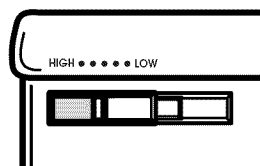
Ce réglage permet de contrôler le degré d'humidité dans le bac à légumes étanche. La commande peut être réglée à n'importe quel réglage entre LOW (bas) et HIGH (élevé).

En position LOW (ouvert) le réglage laisse échapper l'air humide pour mieux conserver les fruits et légumes à pelures.

- Fruits : Laver, laisser sécher et mettre au réfrigérateur dans un sac en plastique ou dans le bac à légumes. Ne pas laver ni équeuter les petits fruits avant le moment de leur utilisation. Les trier et les conserver dans l'emballage original dans le bac à légumes ou les conserver sur une tablette du réfrigérateur dans un sac fermé en papier sans être serré.
- Légumes à pelures : Placer dans des sacs en plastique ou contenant en plastique et ranger dans le bac à légumes.

En position HIGH (fermé) le réglage permet de retenir l'humidité à l'intérieur du bac pour mieux conserver les légumes frais et les légumes à feuilles.

- Légumes à feuilles : Laver à l'eau froide, égoutter et couper ou éliminer les sections endommagées et décolorées. Placer dans un sac ou un contenant en plastique et ranger dans le bac à légumes.



## Tiroir Gourmet Pantry™

Le tiroir pleine largeur à température contrôlée peut être utilisé pour remiser des grands plateaux de réception, de la charcuterie ou des boissons. Pour plus de flexibilité de remisage, le tiroir comporte une cloison et une commande de température ajustable.

**REMARQUE :** Ne pas placer de légumes à feuilles dans le tiroir à température contrôlée. Des températures plus froides peuvent endommager les légumes à feuilles.

### Dépose et réinstallation du tiroir

#### Pour enlever le tiroir :

1. Soulever le couvercle. Tirer le tiroir pour l'ouvrir complètement.
2. Soulever l'avant du tiroir et le tirer tout droit pour le sortir.

#### Pour réinstaller le tiroir :

1. Pousser les glissières métalliques vers l'arrière du réfrigérateur.
2. Placer le tiroir sur les glissières et faire glisser le tiroir vers l'arrière du réfrigérateur.

### Cloison de tiroir

#### Pour enlever la cloison :

1. Tirer le tiroir pour l'ouvrir complètement.
2. Soulever l'avant de la cloison pour la décrocher de la paroi arrière du tiroir et soulever la cloison pour la sortir.

#### Pour réinstaller la cloison :

1. Accrocher l'arrière de la cloison sur la paroi arrière du tiroir.
2. Abaisser la cloison en place.

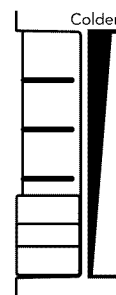
### Commande de température du tiroir

La commande de température, située sous le couvercle sur le côté droit du tiroir, régule la quantité d'air froid pénétrant dans le tiroir.

**REMARQUE :** L'air froid dirigé dans le tiroir peut faire baisser la température du réfrigérateur. La température du réfrigérateur peut nécessiter un ajustement.

- Faire glisser la commande de température au réglage le moins froid si vous voulez que le tiroir soit à la même température que le compartiment de réfrigération.
- Faire glisser la commande de température à un réglage plus froid si vous voulez que le tiroir soit plus froid que le compartiment de réfrigération.

**REMARQUE :** Utiliser le réglage le plus froid pour la conservation de viandes.





## Guide d'entreposage des viandes

La plupart des viandes peuvent être conservées dans leur emballage original tant que cet emballage est hermétique et à l'épreuve de l'humidité. Emballer de nouveau si nécessaire. Voir le tableau suivant pour les périodes de conservation. Si la viande doit être conservée pour une période plus longue que la durée donnée, faire congeler la viande.

Poissons, mollusques  
ou crustacés frais ..... utiliser le jour de l'achat

Poulet, bœuf haché, abats comestibles (foie) ..... 1 à 2 jours

Charcuterie, steaks/rôtis ..... 3 à 5 jours

Viandes traitées ..... 7 à 10 jours

Les restes - Couvrir les restes avec de la pellicule en plastique ou du papier d'aluminium. Il est convenable aussi d'utiliser des contenants en plastique avec couvercles hermétiques.

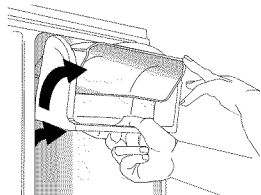
## CARACTÉRISTIQUES DE LA PORTE

Votre modèle peut comporter certaines ou toutes ces caractéristiques.

### Compartiment à produits laitiers

**Pour retirer et réinstaller le compartiment à produits laitiers :**

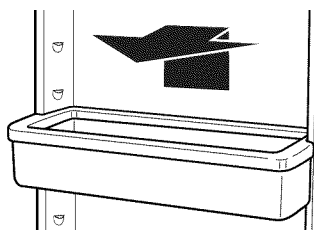
1. Retirer le compartiment à produits laitiers en soulevant et en retenant le couvercle, tout en soulevant le compartiment et en le tirant pour le sortir.
2. Réinstaller le compartiment en le faisant glisser sur le support désiré et en le poussant jusqu'à ce qu'il s'arrête.



### Balconnets dans la porte

**Pour retirer et réinstaller les balconnets :**

1. Retirer le balconnet en le soulevant et le tirant tout droit.
2. Réinstaller le balconnet en le glissant en place au-dessus du support désiré et en le poussant jusqu'à ce qu'il s'arrête.



### Dispositifs de retenue

Les dispositifs de retenue aident à empêcher les articles de glisser dans les balconnets de porte. Ils sont amovibles et peuvent aller au lave-vaisselle (dans le panier supérieur) pour un nettoyage facile.

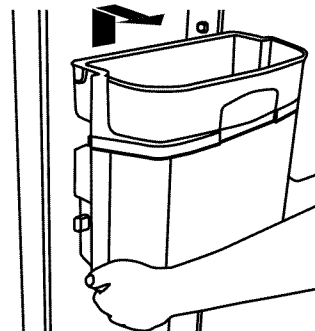
## Bac à fruits Fresh-N-Ready™

(sur certains modèles)

Ce bac offre un accès facile aux coupe-faim sains tels que les fruits frais et les légumes pour toute la famille. Il comporte un panier à baies amovible pour le rinçage et le stockage des articles fragiles tels que les raisins et les baies.

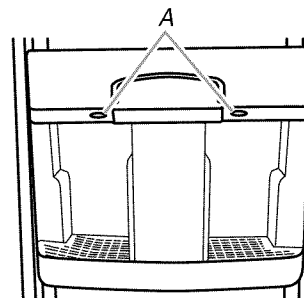
**Pour retirer et réinstaller le bac :**

1. Retirer le bac en le soulevant et le tirant tout droit.
2. Réinstaller le bac en le faisant glisser au-dessus des supports désirés et en le poussant vers le bas jusqu'à ce qu'il s'arrête.



**Pour retirer et réinstaller les pièces du bac :**

1. Appuyer sur l'un des boutons de dégagement pour ouvrir la partie inclinable du bac.

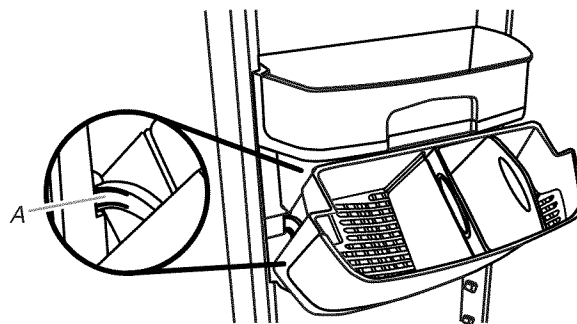


A. Boutons de dégagement

2. Pour ôter la partie inclinable du bac, appuyer sur les leviers incurvés de chaque côté du bac. Tirer vers le haut pour le sortir.

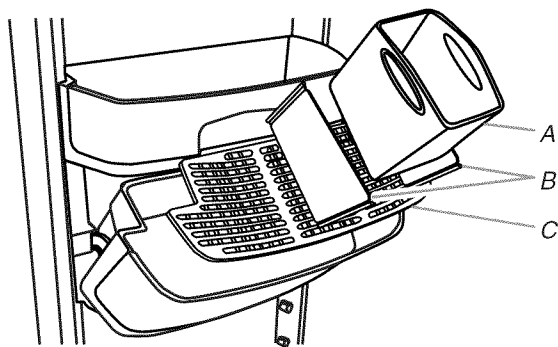
**REMARQUES :**

- Il est impossible de retirer le bac s'il est incliné complètement. Incliner le bac seulement partiellement avant d'appuyer sur les leviers incurvés pour le retirer.
- Nettoyer les pièces tel qu'indiqué dans la section "Nettoyage".



A. Levier incurvé

3. Réinstaller la partie inclinable du bac. Vérifier qu'elle repose correctement au fond du bac avant d'insérer les leviers incurvés.
4. Réinstaller les pièces intérieures du bac.



A. Panier perforé  
B. Cloisons  
C. Revêtement perforé

## ENTRETIEN DU RÉFRIGÉRATEUR

### Nettoyage

#### **AVERTISSEMENT**



#### Risque d'explosion

Utiliser un produit de nettoyage ininflammable.  
Le non-respect de cette instruction peut causer un décès, une explosion ou un incendie.

Les sections de réfrigération et de congélation se dégivrent automatiquement. Toutefois, nettoyer les deux sections environ une fois par mois pour éviter une accumulation d'odeurs. Essuyer les renversements immédiatement.

**IMPORTANT :** Comme l'air circule entre les deux sections, toutes les odeurs formées dans une section seront transférées à l'autre. Vous devez nettoyer à fond les deux sections pour éliminer les odeurs. Pour éviter le transfert d'odeurs et l'assèchement des aliments, envelopper ou recouvrir hermétiquement les aliments.

#### Nettoyage de votre réfrigérateur :

**REMARQUE :** Ne pas utiliser des nettoyants abrasifs tels que les nettoyants à vitre en atomiseurs, nettoyants à récurer, liquides inflammables, cires nettoyantes, détergents concentrés, eau de Javel ou nettoyants contenant du pétrole sur les pièces en plastique, les garnitures intérieures et de portes ou les joints de portes. Ne pas utiliser d'essuie-tout, tampons à récurer ou autres outils de nettoyage abrasifs.

1. Débrancher le réfrigérateur ou déconnecter la source de courant électrique.
2. Laver à la main, rincer et sécher les pièces amovibles et les surfaces internes à fond. Utiliser une éponge propre ou un linge doux et un détergent doux dans de l'eau tiède.

3. Laver les surfaces extérieures en acier inoxydable ou en métal peint avec une éponge propre ou un linge doux et un détergent doux dans de l'eau tiède.
  - Pour que votre réfrigérateur en acier inoxydable conserve son aspect neuf et pour enlever les petites égratignures ou marques, il est suggéré d'utiliser le nettoyant et poli pour acier inoxydable approuvé par le fabricant. Pour commander le produit de nettoyage, voir "Accessoires".

**IMPORTANT :** Ce nettoyant doit être utilisé sur les pièces en acier inoxydable uniquement!

Veiller à ce que le nettoyant et poli pour acier inoxydable n'entre pas en contact avec les pièces de plastique telles que garnitures, couvercles de distributeurs ou joints de porte. En cas de contact non intentionnel, nettoyer la pièce de plastique avec une éponge et un détergent doux dans de l'eau tiède. Sécher parfaitement avec un linge doux.

4. Le condenseur n'a pas besoin d'être nettoyé souvent dans des conditions de fonctionnement normales. Si l'environnement est particulièrement graisseux, poussiéreux, ou s'il y a des animaux domestiques dans la maison, le condenseur devrait être nettoyé tous les deux ou trois mois pour assurer une efficacité maximum.

Si vous avez besoin de nettoyer le condenseur :

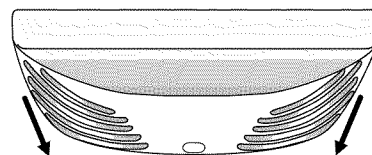
- Retirer la grille de la base.
  - Utiliser un aspirateur à brosse douce pour nettoyer la grille, les endroits ouverts derrière la grille et la surface à l'avant du condenseur.
  - Replacer la grille de la base lorsqu'on a terminé.
5. Brancher le réfrigérateur ou reconnecter la source de courant électrique.

### Remplacement de l'ampoule d'éclairage

**REMARQUE :** Toutes les lampes pour appareils ménagers ne sont pas compatibles avec ce réfrigérateur. Veiller à remplacer la lampe par une lampe de même taille/forme/puissance (pas plus de 40 W).

### Remplacement de l'ampoule du compartiment de réfrigération

1. Débrancher le réfrigérateur ou déconnecter la source de courant électrique.
2. Faire glisser le protège-ampoule vers l'arrière du compartiment pour le libérer de l'ensemble d'éclairage.



3. Remplacer la ou les ampoule(s) grillée(s) par une ampoule électrique pour appareil ménager de pas plus de 40 watts.
4. Réinstaller le protège-ampoule en insérant les onglets du protège-ampoule dans les trous appropriés de chaque côté de l'ensemble d'éclairage. Faire glisser le couvercle vers l'avant de l'unité jusqu'à ce qu'il se verrouille en place.

**REMARQUE :** Pour éviter d'endommager le protège-ampoule de la lampe, ne pas forcer au-delà du point de verrouillage.

5. Brancher le réfrigérateur ou reconnecter la source de courant électrique.

---

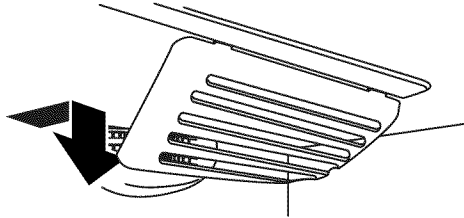
## Remplacement de l'ampoule du compartiment de congélation

---

1. Débrancher le réfrigérateur ou déconnecter la source de courant électrique.

**REMARQUE :** On peut avoir besoin d'enlever la tablette ou le panier supérieur(e) du compartiment de congélation pour accéder à l'ensemble d'éclairage.

2. Le protège-ampoule s'ouvre par l'arrière. Appuyer fermement sur les encoches à l'arrière du protège-ampoule et le tirer vers le bas.



3. Enlever le protège-ampoule et remplacer l'ampoule grillée par une ampoule pour appareil ménager de pas plus de 40 watts.
  4. Insérer les onglets avant du protège-ampoule dans le revêtement et enclencher la partie arrière sur l'ensemble d'éclairage.
  5. Brancher le réfrigérateur ou reconnecter la source de courant électrique.
- 

## Pannes de courant

Si le courant électrique doit être interrompu pendant 24 heures ou moins, garder la ou les porte(s) (selon votre modèle) fermée(s) pour aider les aliments à demeurer froids et congelés.

Si le courant doit être interrompu pendant plus de 24 heures, faire l'une des actions suivantes :

- Retirer tous les aliments congelés et les entreposer dans un casier frigorifique.
- Placer 2 lb (907 g) de neige carbonique dans le congélateur pour chaque pied cube (28 L) d'espace de congélation. Ceci permettra de garder les aliments congelés durant deux à quatre jours.
- Si l'on ne possède pas de casier frigorifique ni de neige carbonique, consommer ou mettre immédiatement en conserve les aliments périssables.

**À NOTER :** Un congélateur plein restera froid plus longtemps qu'un congélateur partiellement rempli. Un congélateur plein de viande demeure froid plus longtemps qu'un congélateur rempli d'aliments cuits. Si les aliments contiennent des cristaux de glace, ils peuvent être remis à congeler même si la qualité et la saveur risquent d'être affectées. Si les aliments semblent de piètre qualité, les jeter.

---

## Entretien avant les vacances ou lors d'un déménagement

---

### Vacances

---

**Si vous choisissez de laisser le réfrigérateur en fonctionnement pendant votre absence :**

1. Consommer tous les aliments périssables et congeler les autres.
2. Si votre réfrigérateur a une machine à glaçons automatique :

- Selon le modèle, soulever le bras de commande en broche à la position OFF (élevée) ou appuyer sur le commutateur à la position OFF (arrêt).

- Fermer l'approvisionnement d'eau de la machine à glaçons.

3. Vider le bac à glaçons.

**Si vous choisissez d'arrêter le fonctionnement du réfrigérateur avant votre départ :**

1. Enlever tous les aliments du réfrigérateur.
  2. Si votre réfrigérateur a une machine à glaçons automatique :
    - Fermer l'approvisionnement d'eau de la machine à glaçons au moins une journée à l'avance.
    - Selon le modèle, lorsque la dernière quantité de glaçons est déposée, soulever le bras de commande en broche à la position OFF (élevée) ou appuyer sur le commutateur à la position OFF (arrêt), selon le modèle.
  3. Éteindre les commandes de température. Voir "Utilisation des commandes".
  4. Nettoyer le réfrigérateur, l'essuyer et bien le sécher.
  5. À l'aide d'un ruban adhésif, placer des blocs de caoutchouc ou de bois dans la partie supérieure de chaque porte de façon à ce qu'elles soient suffisamment ouvertes pour permettre l'entrée de l'air à l'intérieur, afin d'éviter l'accumulation d'odeur ou de moisissure.
- 

### Déménagement

---

Lorsque vous déménagez votre réfrigérateur dans une nouvelle habitation, suivre ces étapes pour préparer le déménagement.

1. Si votre réfrigérateur a une machine à glaçons automatique :
  - Fermer l'approvisionnement d'eau de la machine à glaçons au moins une journée à l'avance.
  - Débrancher la canalisation d'eau de l'arrière du réfrigérateur.
  - Selon le modèle, lorsque la dernière quantité de glaçons est déposée, soulever le bras de commande en broche à la position OFF (élevée) ou appuyer sur le commutateur à la position OFF (arrêt).
2. Retirer tous les aliments du réfrigérateur et placer tous les aliments congelés dans de la neige carbonique.
3. Vider le bac à glaçons.
4. Éteindre les commandes de température. Voir "Utilisation des commandes".
5. Débrancher le réfrigérateur.
6. Nettoyer, essuyer et sécher à fond.
7. Retirer toutes les pièces amovibles, bien les envelopper et les attacher ensemble à l'aide de ruban adhésif pour qu'elles ne bougent pas ni ne s'entrechoquent durant le déménagement.
8. Selon le modèle, soulever le devant du réfrigérateur pour qu'il roule plus facilement OU soulever les vis de nivellement pour qu'elles n'égratignent pas le plancher. Voir "Ajustement des portes".
9. Fermer les portes à l'aide de ruban adhésif et fixer le cordon d'alimentation électrique au dos du réfrigérateur à l'aide de ruban adhésif.

Lorsque vous arriverez à votre nouvelle habitation, remettre tout en place et consulter la section "Instructions d'installation" pour les instructions de préparation. D'autre part, si votre réfrigérateur a une machine à glaçons automatique, rappelez-vous de raccorder l'approvisionnement d'eau au réfrigérateur.

# DÉPANNAGE

Essayer d'abord les solutions suggérées ici afin d'éviter le coût d'une visite de service non nécessaire.

## Fonctionnement du réfrigérateur

### Le réfrigérateur ne fonctionne pas

#### **AVERTISSEMENT**



##### Risque de choc électrique

Brancher sur une prise à 3 alvéoles reliée à la terre.

Ne pas enlever la broche de liaison à la terre.

Ne pas utiliser un adaptateur.

Ne pas utiliser un câble de rallonge.

Le non-respect de ces instructions peut causer un décès, un incendie ou un choc électrique.

- **Le cordon d'alimentation électrique est-il débranché?** Brancher sur une prise à 3 alvéoles reliée à la terre.
- **La prise électrique fonctionne-t-elle?** Brancher une lampe pour voir si la prise fonctionne.
- **Un fusible est-il grillé ou un disjoncteur s'est-il déclenché?** Remplacer le fusible ou réarmer le disjoncteur. Si le problème persiste, appeler un électricien.
- **Les commandes sont-elles en marche?** S'assurer que les commandes du réfrigérateur sont en marche. Voir "Utilisation de la(des) commande(s)".
- **S'agit-il d'une nouvelle installation?** Accorder 24 heures après l'installation pour que le réfrigérateur se refroidisse complètement.

**REMARQUE :** Mettre les commandes de la température sur la position la plus froide ne refroidira aucun des compartiments plus rapidement.

### Le moteur semble trop tourner

Il se peut que votre nouveau réfrigérateur fonctionne plus longtemps que l'ancien grâce à son compresseur à haute efficacité et ses ventilateurs. L'appareil peut fonctionner plus longtemps encore si la température de la pièce est chaude, si une importante quantité de nourriture y est ajoutée, si les portes sont fréquemment ouvertes ou si elles ont été laissées ouvertes.

### Le réfrigérateur semble bruyant

Le bruit des réfrigérateurs a été réduit au cours des années. Du fait de cette réduction, il est possible d'entendre des bruits intermittents venant de votre nouveau réfrigérateur qui n'avaient pas été décelés avec votre ancien modèle. Voici une liste des sons normaux accompagnés d'explications.

- **Bourdonnement** - entendu lorsque le robinet d'arrivée d'eau s'ouvre pour remplir la machine à glaçons
- **Pulsation** - les ventilateurs/le compresseur se règlent afin d'optimiser la performance
- **Sifflement/cliquetis** - écoulement de liquide réfrigérant, mouvement des conduites d'eau ou d'objets posés sur le dessus du réfrigérateur
- **Grésillement/gargouillement** - de l'eau tombe sur l'élément de chauffage durant le programme de dégivrage
- **Bruit d'éclatement** - contraction/expansion des parois internes, particulièrement lors du refroidissement initial
- **Bruit d'écoulement d'eau** - peut être entendu lorsque la glace fond lors du programme de dégivrage et que l'eau s'écoule dans le plateau de dégivrage
- **Grincement/craquement** - se produit lorsque la glace est éjectée du moule à glaçons.

### Les portes ne ferment pas complètement

- **La porte est-elle bloquée en position ouverte?** Déplacer les emballages d'aliments pour libérer la porte.
- **Un compartiment ou une tablette bloque-t-il/elle le passage?** Replacer le compartiment ou la tablette en position correcte.

### Les portes sont difficiles à ouvrir

#### **AVERTISSEMENT**



##### Risque d'explosion

Utiliser un produit de nettoyage ininflammable.

Le non-respect de cette instruction peut causer un décès, une explosion ou un incendie.

- **Les joints d'étanchéité sont-ils sales ou collants?** Nettoyer les joints et les surfaces de contact au savon doux et à l'eau tiède. Rincer et sécher avec un linge doux.

## Température et humidité

### La température est trop élevée

- **S'agit-il d'une nouvelle installation?** Accorder 24 heures après l'installation pour que le réfrigérateur se refroidisse complètement.
- **La/Les porte(s) est/sont-elle(s) fréquemment ouverte(s) ou laissée(s) ouverte(s)?** Ceci permet à l'air chaud de pénétrer dans le réfrigérateur. Minimiser les ouvertures de porte et garder les portes complètement fermées.

- **Une importante quantité d'aliments a-t-elle été ajoutée?** Accorder quelques heures pour que le réfrigérateur revienne à sa température normale.
- **Les réglages sont-ils corrects pour les conditions existantes?** Ajuster les commandes un cran plus froid. Vérifier la température au bout de 24 heures. Voir "Utilisation de la(des) commande(s)".

---

### Il y a une accumulation d'humidité à l'intérieur

---

**REMARQUE :** Une certaine accumulation d'humidité est normale.

- **La pièce est-elle humide?** Ceci contribue à l'accumulation de l'humidité.
- **La/Les porte(s) est/sont-elle(s) fréquemment ouverte(s) ou laissée(s) ouverte(s)?** Ceci permet à l'air humide de pénétrer dans le réfrigérateur. Minimiser les ouvertures de porte et garder les portes complètement fermées.

---

## Glaçons et eau

---

### La machine à glaçons ne produit pas ou pas suffisamment de glaçons

---

- **Le réfrigérateur est-il connecté à l'alimentation en eau et le robinet d'arrêt d'eau est-il ouvert?** Brancher le réfrigérateur à l'alimentation en eau et ouvrir le robinet d'arrêt d'eau complètement.
- **La canalisation de la source d'eau du domicile comporte-t-elle une déformation?** Une déformation dans la canalisation peut réduire l'écoulement d'eau. Redresser la canalisation d'eau.
- **La machine à glaçons est-elle allumée?** S'assurer que le bras de commande en broche ou l'interrupteur (selon le modèle) est en position ON (marche).
- **S'agit-il d'une nouvelle installation?** Attendre 24 heures après l'installation pour le commencement de la production de glaçons. Attendre 72 heures pour la production complète de glaçons.
- **La porte du congélateur est-elle complètement fermée?** Bien fermer la porte du compartiment de congélation. Si la porte du compartiment de congélation ne ferme pas complètement, voir "Les portes ne ferment pas complètement" précédemment dans cette section.
- **Une grande quantité de glaçons vient-elle d'être enlevée?** Attendre 24 heures pour que la machine à glaçons produise plus de glaçons.
- **Un glaçon est-il coincé dans le bras éjecteur?** Enlever le glaçon du bras éjecteur avec un ustensile en plastique.
- **Un filtre à eau est-il installé sur le réfrigérateur?** Enlever le filtre et faire fonctionner la machine à glaçons. Si le volume de glace augmente, le filtre est probablement obstrué ou mal installé. Remplacer le filtre ou le réinstaller correctement.
- **Un système de filtration de l'eau à osmose inverse est-il connecté à votre canalisation d'eau froide?** Ceci peut diminuer la pression de l'eau. Voir "Spécifications de l'alimentation en eau".

---

### Les glaçons sont creux ou petits

---

**REMARQUE :** Cela indique une faible pression de l'eau.

- **La valve de la canalisation d'eau est-elle complètement ouverte?** Ouvrir la valve d'eau complètement.
- **La canalisation de la source d'eau du domicile comporte-t-elle une déformation?** Une déformation dans la canalisation peut réduire l'écoulement d'eau. Redresser la canalisation d'eau.
- **Un filtre à eau est-il installé sur le réfrigérateur?** Enlever le filtre et faire fonctionner la machine à glaçons. Si la qualité des glaçons augmente, le filtre est probablement obstrué ou mal installé. Remplacer le filtre ou le réinstaller correctement.
- **Un système de filtration de l'eau à osmose inverse est-il connecté à votre canalisation d'eau froide?** Ceci peut diminuer la pression de l'eau. Voir "Spécifications de l'alimentation en eau".
- **Reste-t-il des questions concernant la pression de l'eau?** Appeler un plombier agréé et qualifié.

---

### Mauvais goût, odeur ou couleur grise des glaçons

---

- **Les raccords de plomberie sont-ils neufs?** Des raccords de plomberie neufs peuvent causer une décoloration et un mauvais goût des glaçons.
- **Les glaçons ont-ils été gardés trop longtemps?** Jeter les glaçons. Laver le compartiment à glaçons. Accorder 24 heures pour la fabrication de nouveaux glaçons.
- **Y a-t-il un transfert d'odeurs de nourriture?** Utiliser des emballages étanches à l'air et à l'humidité pour conserver les aliments.
- **L'eau contient-elle des minéraux (tels que le soufre)?** L'installation d'un filtre peut être requise afin d'enlever les minéraux.
- **Un filtre à eau est-il installé sur le réfrigérateur?** Une décoloration grise ou foncée de la glace indique que le système de filtration de l'eau a besoin d'un rinçage additionnel. Rincer le système de filtration d'eau avant d'utiliser un nouveau filtre. Remplacer le filtre à eau à la date indiquée. Voir "Système de filtration de l'eau".

---

### Le distributeur d'eau ne fonctionne pas correctement

---

- **Le réfrigérateur est-il connecté à l'alimentation en eau et le robinet d'arrêt d'eau est-il ouvert?** Brancher le réfrigérateur à l'alimentation en eau et ouvrir le robinet d'arrêt d'eau complètement.
- **La canalisation de la source d'eau du domicile comporte-t-elle une déformation?** Redresser la canalisation d'eau.
- **S'agit-il d'une nouvelle installation?** Rincer et remplir le système de distribution d'eau. Voir "Distributeur d'eau".
- **La pression de l'eau est-elle inférieure à 35 lb/po<sup>2</sup> (241 kPa)?** La pression de l'eau du domicile détermine l'écoulement d'eau du distributeur. Voir "Spécifications de l'alimentation en eau".
- **Un filtre à eau est-il installé sur le réfrigérateur?** Enlever le filtre et faire fonctionner le distributeur. Si l'écoulement d'eau augmente, le filtre est probablement obstrué ou mal installé. Remplacer le filtre ou le réinstaller correctement.
- **La porte du réfrigérateur est-elle bien fermée?** Bien fermer la porte. Si elle ne ferme pas complètement, voir "Les portes ne ferment pas complètement" précédemment dans cette section.

- **Les portes ont-elles été récemment enlevées?** S'assurer que l'assemblage câble/tuyau du distributeur d'eau a été correctement reconnecté. Voir "Porte(s) et tiroir du réfrigérateur".
- **Un système de filtration de l'eau à osmose inverse est-il connecté à votre canalisation d'eau froide?** Ceci peut diminuer la pression de l'eau. Voir "Spécifications de l'alimentation en eau".

---

### L'eau coule du système de distribution

---

**REMARQUE :** Il est normal de constater une ou deux gouttes d'eau après la distribution d'eau.

- **Le verre n'a pas été maintenu sous le distributeur assez longtemps?** Maintenir le verre sous le distributeur 2 à 3 secondes après avoir relâché le levier du distributeur.
- **S'agit-il d'une nouvelle installation?** Rincer le système de distribution d'eau. Voir "Distributeur d'eau".
- **Le filtre à eau a-t-il été récemment changé?** Rincer le système de distribution d'eau. Voir "Distributeur d'eau".
- **Trouve-t-on de l'eau sur le sol près de la grille de la base?** S'assurer que les connexions du tuyau du distributeur d'eau sont complètement serrées. Voir "Porte(s) et tiroir du réfrigérateur".

---

### L'eau du distributeur est tiède

---

**REMARQUE :** L'eau du distributeur est seulement réfrigérée à 50°F (10°C).

- **S'agit-il d'une nouvelle installation?** Attendre 24 heures après l'installation pour que l'alimentation d'eau refroidisse complètement.
- **Une grande quantité d'eau a-t-elle récemment été distribuée?** Attendre 24 heures pour que l'alimentation d'eau refroidisse complètement.
- **N'a-t-on pas récemment distribué de l'eau?** Le premier verre d'eau peut ne pas être froid. Jeter le premier verre d'eau.
- **Le réfrigérateur est-il branché à l'arrivée d'eau froide?** S'assurer que le réfrigérateur est branché à l'arrivée d'eau froide. Voir "Spécifications de l'alimentation en eau".

## CONTRATS DE PROTECTION

### Contrats principaux de protection

*Nous vous félicitons d'avoir fait un achat judicieux. Votre nouvel appareil Kenmore® est conçu et fabriqué pour vous procurer des années de fonctionnement fiable. Mais comme pour tous les produits, il pourra à l'occasion nécessiter un entretien préventif ou une réparation. Le cas échéant, un Contrat principal de protection peut vous épargner de l'argent et des soucis.*

Le Contrat principal de protection contribue aussi à prolonger la vie utile de votre nouvel appareil ménager. Le Contrat\* inclut :

- ✓ **Pièces et main-d'œuvre** nécessaires pour conserver les appareils en état de fonctionnement correct **pendant une utilisation normale**, pas uniquement les défaillances. Notre couverture **va bien au-delà de la garantie du produit**. Aucune franchise, aucune anomalie de fonctionnement ne sont exclues de ce contrat - **protection réelle**.
- ✓ **Un service d'expert** proposé par plus de 10 000 **techniciens d'entretien Sears** autorisés, ce qui signifie que quelqu'un de confiance prendra soin de votre produit.

- ✓ **Appels de service illimités et service national**, aussi souvent que vous en avez besoin et quand vous en avez besoin.
- ✓ **Garantie "Anti-citron"** - remplacement de votre produit couvert si plus de quatre panes se produisent en deçà de douze mois.
- ✓ **Remplacement du produit** si votre produit couvert ne peut être réparé.
- ✓ **Vérification annuelle d'entretien préventif** sur demande - sans frais supplémentaires.
- ✓ **Aide rapide par téléphone** - nous appelons cela **Résolution rapide** - support téléphonique d'un agent de Sears sur tous les produits. Considérez-nous comme un "manuel d'utilisateur parlant".
- ✓ **Protection contre les sautes de puissance** pour prévenir les dommages électriques attribuables aux fluctuations de courant.
- ✓ **Couverture pour la perte de nourriture de 250 \$** par an sur tout aliment altéré en raison d'une défaillance mécanique sur tout réfrigérateur ou congélateur couvert.
- ✓ **Remboursement de location** si la réparation du produit couvert prend plus de temps que promis.
- ✓ **10 % de réduction** sur le prix courant de toute intervention de réparation non couverte et pièces de rechange.

Dès que vous achetez le Contrat, il suffit d'un appel téléphonique pour obtenir un rendez-vous de service. Vous pouvez appeler en tout temps jour et nuit ou prendre un rendez-vous de service en direct.

Le Contrat principal de protection constitue un investissement sans risque. Si vous annulez pour une quelconque raison pendant la période de garantie du produit, nous vous rembourserons intégralement ou nous vous verserons un remboursement au prorata après l'expiration de la période de garantie. Achetez votre Contrat principal de protection aujourd'hui même!

**Certaines limitations et exclusions s'appliquent. Pour des prix et renseignements supplémentaires aux États-Unis, composez le 1-800-827-6655.**

**\*Le contrat de couverture au Canada varie pour certains articles. Pour des informations détaillées, appelez Sears Canada au 1-800-361-6665.**

### Service d'installation Sears

Pour l'installation professionnelle garantie par Sears d'appareils ménagers et d'articles tels que les ouvre-portes de garage, chauffe-eau, et autres gros appareils ménagers, aux É.-U. ou au Canada, composez le **1-800-4-MY-HOME®**.

---

## ACCESSOIRES

### Pièces de rechange :

Pour commander le nettoyeur pour acier inoxydable ou des filtres de rechange, composer le **1-800-4-MY-HOME®** et demander le numéro de pièce ou contacter votre marchand Kenmore autorisé.

### Nettoyant et poli pour acier inoxydable :

Commander la pièce N° D22 M40083 R

### Filtres de rechange :

Commander la pièce N° 469006-750

# FEUILLES DE DONNÉES SUR LE PRODUIT

## Système de filtration d'eau intérieur Modèle 46 9006-750 / Capacité : 750 gallons (2839 litres)



Système testé et certifié par NSF International en vertu de la norme NSF/ANSI 42 (réduction du goût et de l'odeur du chlore, et particules (classe I\*)); et en vertu de la norme NSF/ANSI 53 (réduction de plomb, mercure, atrazine, benzène, p-dichlorobenzène, carbofuran, toxaphène, kystes, turbidité, amiante, tétrachloroéthylène, et lindane).

Ce produit a été testé selon les normes NSF/ANSI 42 et 53 pour la réduction des substances énumérées ci-dessous. La concentration des substances indiquées dans l'eau entrant dans le système a été réduite à une concentration moindre ou égale à la limite permmissible pour l'eau qui quitte le système, tel que spécifié dans les normes NSF/ANSI 42 et 53.

Réd. de substances Effets esthétiques	Critères de réduction NSF	Affluent moyen	Concentration dans l'eau à traiter	Effluent maximal	Effluent moyen	% de réd. minimale	% de réd. moyenne
Goût/odeur de chlore Particules (classe I*)	réduction de 50 % réduction de 85 %	2,00 mg/L 14 000 000 #/mL	2,0 mg/L ± 10 % Au moins 10 000 particules/mL	0,06 mg/L 370 000 #/mL**	0,050625 mg/L 196 666 #/mL	97,00 % 97,40 %	97,52 % 99,00 %
Réduction de contaminant	Critères de réduction NSF	Affluent moyen	Concentration dans l'eau à traiter	Effluent maximal	Effluent moyen	% de réd. minimale	% de réd. moyenne
Plomb : à pH 6,5 Plomb : à pH 8,5	0,010 mg/L 0,010 mg/L	0,150 mg/L† 0,150 mg/L†	0,15 mg/L ± 10 % 0,15 mg/L ± 10 %	< 0,001 mg/L < 0,001 mg/L	< 0,001 mg/L < 0,001 mg/L	>99,30 % >99,30 %	>99,30 % >99,30 %
Mercure : à pH 6,5 Mercure : à pH 8,5	0,002 mg/L 0,002 mg/L	0,006 mg/L 0,0059 mg/L	0,006 mg/L ± 10 % 0,006 mg/L ± 10 %	0,0005 mg/L 0,0018 mg/L	0,0003 mg/L 0,00073 mg/L	91,70 % 69,20 %	95,00 % 88,10 %
Benzène	0,005 mg/L	0,0133 mg/L	0,015 mg/L ± 10 %	0,0005 mg/L	0,0005 mg/L	96,10 %	96,30 %
p-dichlorobenzène	0,075 mg/L	0,210 mg/L	0,225 mg/L ± 10 %	< 0,0005 mg/L	< 0,0005 mg/L	>99,80 %	>99,80 %
Carbofuran	0,040 mg/L	0,0753 mg/L	0,08 mg/L ± 10 %	0,027 mg/L	0,008 mg/L	64,60 %	73,45 %
Toxaphène	0,003 mg/L	0,015 mg/L	0,015 ± 10 %	< 0,001 mg/L	< 0,001 mg/L	>93,3 %	>93,3 %
Atrazine	0,003 mg/L	0,0102 mg/L	0,009 mg/L ± 10 %	0,0027 mg/L	0,00105 mg/L	76,30 %	89,40 %
Amiante	>99 %	126,5 MF/L	10 <sup>7</sup> à 10 <sup>8</sup> fibres/L††	<0,17 MF/L	<0,17 MF/L	>99,99 %	>99,99 %
Kystes‡ Turbidité	>99,95 % 0,5 NTU	122 500 #/L 10,5 NTU	50 000/L min. 11 ± 1 NTU	<1 #/L‡ 0,30 NTU	<1 #/L‡ 0,125 NTU	>99,99 % 97,30 %	>99,99 % 98,80 %
Lindane	0,0002 mg/L	0,0019 mg/L	0,002 ± 10 %	< 0,00016 mg/L	0,000035 mg/L	91,80 %	97,90 %
Tétrachloroéthylène	0,005 mg/L	0,015 mg/L	0,015 mg/L ± 10 %	< 0,0005 mg/L	< 0,0005 mg/L	>96,6 %	>96,6 %

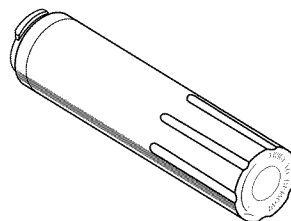
Paramètres de test : pH = 7,5 ± 0,5 à moins d'indications contraires. Débit = 0,78 gpm (2,9 Lpm). Pression = 60 lb/po<sup>2</sup> (413,7 kPa).  
Température = 68°F ± 5°F (20°C ± 3°C).

- Il est essentiel que les exigences de fonctionnement, d'entretien et de remplacement de filtre soient respectées pour que ce produit donne le rendement annoncé.
- Le filtre à eau jetable devrait être remplacé au moins tous les 6 mois.
- Le système de contrôle du filtre mesure la quantité d'eau qui passe par le filtre et vous alerte lorsqu'il faut remplacer le filtre. Lorsque 90 % de la vie estimée du filtre sont utilisés, le témoin jaune (Order/commander) s'allume. Lorsque 100 % de la vie estimée du filtre sont utilisés, le témoin rouge (Replace/remplacer) s'allume et il est recommandé de remplacer le filtre. Pour les modèles sans témoin lumineux de l'état du filtre, remplacer le filtre tous les 6 mois. Utiliser un filtre de remplacement 46 9006-750. Prix suggéré au détail en 2009 de 44,99 \$US/49,95 \$CAN. Les prix sont sujets à des changements sans préavis.
- Le produit ne doit être utilisé que pour l'eau froide.
- Ne pas utiliser pour le filtrage d'une eau microbiologiquement polluée ou de qualité inconnue en l'absence d'un dispositif de désinfection adéquat avant ou après le système. Les systèmes certifiés pour la réduction de kyste peuvent être utilisés pour l'eau désinfectée qui peut contenir des kystes filtrables.

- Veuillez vous référer à la section "Système de filtration de l'eau" pour le nom et le numéro de téléphone du fabricant.
- Veuillez vous référer à la section "Garantie" pour la garantie limitée du fabricant.

### Directives d'application/Paramètres d'approvisionnement en eau

Approvisionnement en eau	Collectivité ou puits
Pression de l'eau	35 - 120 lb/po <sup>2</sup> (241 - 827 kPa)
Température de l'eau	33° - 100°F (1° - 38°C)
Débit nominal	0,78 gpm (2,9 Lpm) à 60 lb/po <sup>2</sup>



\*Classe I - taille des particules : > 0,5 à <1 µm

\*\*Exigence de test : au moins 100 000 particules/mL (poussière de test fine AC).

†Ces contaminants ne sont pas nécessairement présents dans votre approvisionnement d'eau. Le rendement peut varier selon les conditions locales de l'eau.

††Fibres de longueur supérieure à 10 µm

‡Cas de la filtration de kystes de *Cryptosporidium parvum*

© NSF est une marque déposée de NSF International.

# Get it fixed, at your home or ours!

## Your Home

For expert troubleshooting and home solutions advice:

**manage my home**

[www.managemyhome.com](http://www.managemyhome.com)

For repair – **in your home** – of **all** major brand appliances, lawn and garden equipment, or heating and cooling systems, **no matter who made it, no matter who sold it!**

For the replacement parts, accessories and owner's manuals that you need to do-it-yourself.

For Sears professional installation of home appliances and items like garage door openers and water heaters.

**1-800-4-MY-HOME<sup>®</sup>** (1-800-469-4663)

Call anytime, day or night (U.S.A. and Canada)

[www.sears.com](http://www.sears.com)    [www.sears.ca](http://www.sears.ca)

## Our Home

For repair of carry-in items like vacuums, lawn equipment, and electronics, call anytime for the location of your nearest

**Sears Parts & Repair Service Center**

**1-800-488-1222** (U.S.A.)

[www.sears.com](http://www.sears.com)

**1-800-469-4663** (Canada)

[www.sears.ca](http://www.sears.ca)

To purchase a protection agreement on a product serviced by Sears:

**1-800-827-6655** (U.S.A.)

**1-800-361-6665** (Canada)

Para pedir servicio de reparación a domicilio, y para ordenar piezas:

**1-888-SU-HOGAR<sup>®</sup>**

(1-888-784-6427)

Au Canada pour service en français:

**1-800-LE-FOYER<sup>MC</sup>**

(1-800-533-6937)

[www.sears.ca](http://www.sears.ca)

**Sears**