



Frigidaire

Factory Parts Catalog

Product No.	GLMB209DBB	GLMB209DQB	GLMB209DSB	PLMB209DCC
Market	North America	North America	North America	North America
Color	black	bisque	white	stainless steel
Volts	120	120	120	120
Watts	1200	1200	1200	1200
Wiring Diagram	5995456752	5995456752	5995456752	5995456752
Owner's Guide	316137232	316137232	316137232	316137232
Installation Instructions	316137335	316137335	316137335	316137335

 **Electrolux**

Electrolux Major Appliances
 North & Latin America
 P.O. BOX 212378
 AUGUSTA, GA 30917

Publication No.
5995456752
 06/01/06
 (EN/SERVICE/KC)
 099

**COUNTER-TOP
 MICROWAVE**

Model No.
GLMB209D / PLMB209D

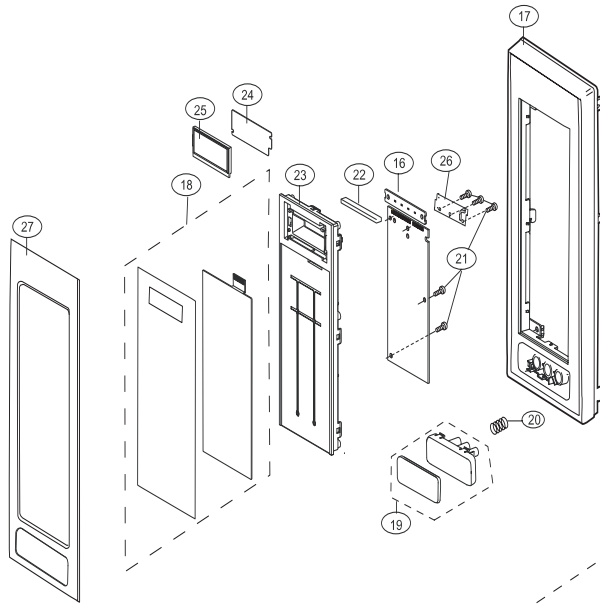
Copyright © 2005 Electrolux Home Products, Inc.
 All rights reserved.

OVEN,CABINET

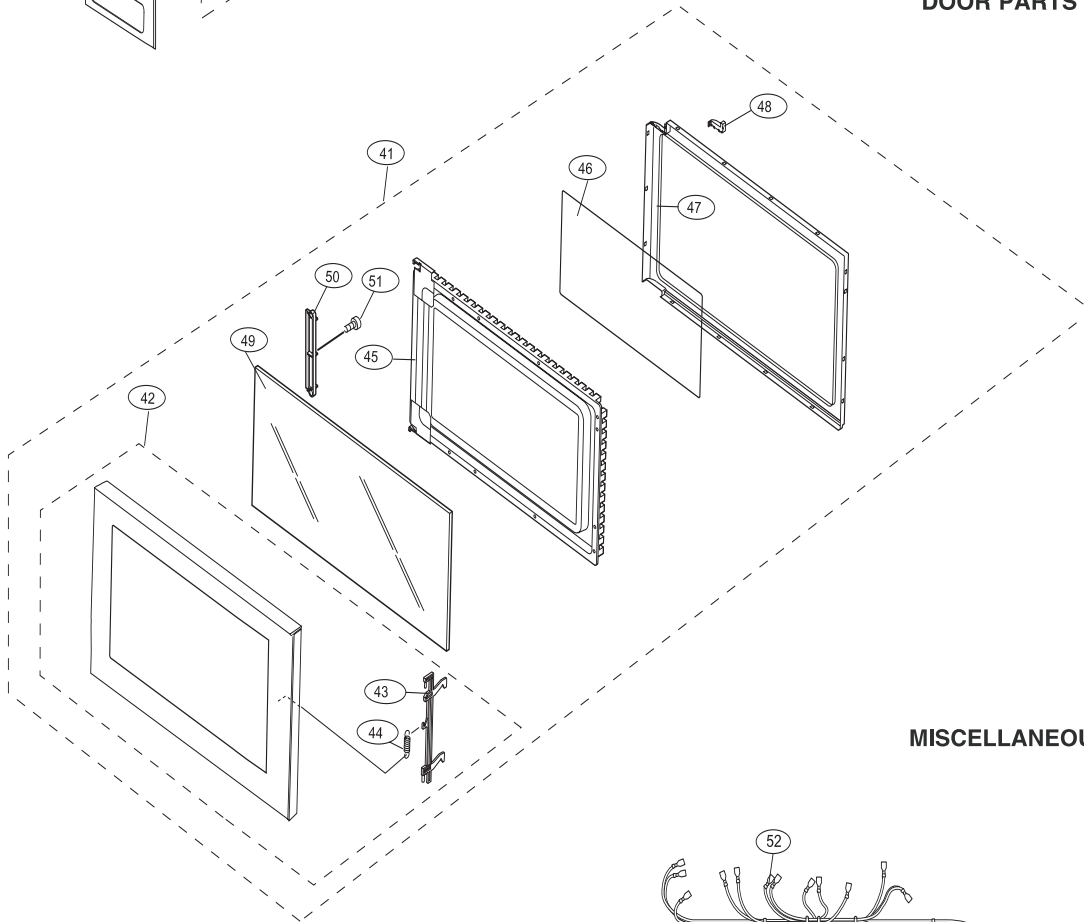
Model Index: A GLMB209D (GLMB209DBB)
 B GLMB209D (GLMB209DOB)
 C GLMB209D (GLMB209DSB)
 D PLMB209D (PLMB209DCC)

POS. NO	PART NO.		DESCRIPTION
1 #	5304440777	A B C D	Capacitor, high voltage
2 #	5304440778	A B C D	Rectifier, high voltage
3 #	5304440779	A B C D	Lamp Assy, with socket
4 #	5304448490	A B C D	Motor, cooling fan
5 #	5303319559	A B C D	Switch, monitor, with CT fuse
6 #	5304440026	A B C D	Switch, sec. interlock, door
7 #	5304440780	A B C D	Fuse, cavity temp, 20 Amp, 250 V
8 #	5304440781	A B C D	Magnetron
9 #	5304448832	A B C D	Motor, turntable
10 #	5304440783	A B C D	Transformer, power
11 #	5304440784	A B C D	Power Cord, electric
12 #	5304440785	A B C D	Sensor, humidity, cook control
13	5304440814	A B C D	Base, unit chassis
14	5304440815	A B C D	Foot, cabinet support
15	5304440816	A - - D	Cabinet, outer casing, black
15	5304440818	- B - -	Cabinet, outer casing, bisque
15	5304440817	- - C -	Cabinet, outer casing, white
28	5304440838	A B C D	Retainer, capacitor strap
29	5304440839	A B C D	Bracket, chassis support
30	5304440840	A B C D	Latch Hook
31	5304440841	A B C D	Lever, door release
32	5304440842	A B C D	Duct, magnetron
33 #	5304440843	A B C D	Fan Blade, cooling fan
34	5304440844	A B C D	Duct, cooling fan
35 #	5304451818	A B C D	Filter, noise, electronic
36	5304440845	A B C D	Cover, waveguide
37	5304440288	A B C D	Bushing, motor shaft, turntable
38	5304441909	A B C D	Cushion, base plate pad
39	5304440847	A B C D	Duct, AH sensor
40	5304441910	A B C D	Cushion, magnetron pad
53	5304440284	A B C D	Support Assy, turntable
54	5304440868	A B C D	Tray, turntable, glass
55	5304440334	A B C D	Label, Caution-monitor
56	5304440333	A B C D	Label, Caution-DHHS
59	5303319636	A B C D	Screw
60	5303319641	A B C D	Screw
61	5304440871	A B C D	Screw, 4mm x 12mm, ground
63	5303319633	A B C D	Screw, 3mm x 8mm
64	5304440872	A B C D	Screw, 4mm x 8mm
65	5304440873	A B C D	Screw, torx head, tamper proof
66	5304440874	A B C D	Screw
67	5304441963	A - - -	Screw, black, outer casing
67	5304440340	- B C D	Screw, 4mm x 12mm
69	5303322975	A B C D	Bracket, noise filter, angle
70 #	5303319550	A B C D	Fuse, magnetron

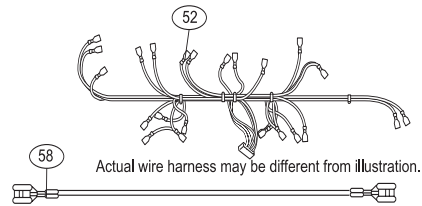
CONTROL PANEL, DOOR, MISC.



DOOR PARTS



MISCELLANEOUS



GLMB209D controls

CONTROL PANEL,DOOR,MISC.

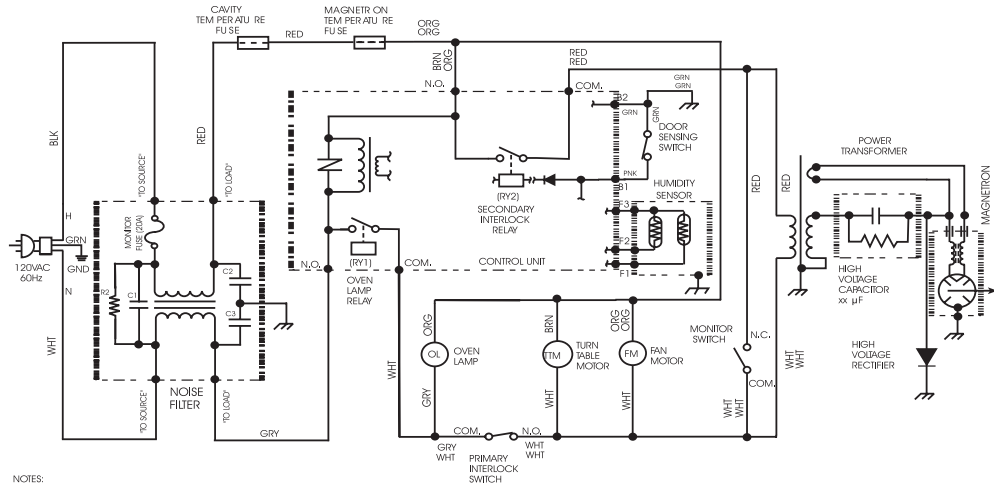
Model Index: A GLMB209D (GLMB209DBB)
 B GLMB209D (GLMB209DOB)
 C GLMB209D (GLMB209DSB)
 D PLMB209D (PLMB209DCC)

POS. NO	PART NO.		DESCRIPTION
16 #	5304440820	A B C D	Control Board, printed circuit
17	5304442129	A - - -	Frame, control panel, black
17	5304440823	- B - -	Frame, control panel, bisque
17	5304440822	- - C -	Frame, control panel, white
17	5304440821	- - - D	Frame, control panel, black
18 #	5304440824	A - - D	Switch Assy, touch control, black
18 #	5304440826	- B - -	Switch Assy, touch control, bisque
18 #	5304440825	- - C -	Switch Assy, touch control, white
19	5304440827	A - - -	Push Button, door opener, black
19	5304440829	- B - -	Push Button, door opener, bisque
19	5304440828	- - C -	Push Button, door opener, white
19	5304448833	- - - D	Push Button, door opener, stainless steel
20	5304440831	A B C D	Spring, door button
21	5304440282	A B C D	Screw, control board, 3mm x 10mm
22	5304440832	A B C D	Connector, rubber, control board
23	5304440833	A B C D	Panel, touch pad mount
24 #	5304440834	A B C D	LED Sheet, backlight
25 #	5304440835	A B C D	LCD, display
26	5304440836	A B C D	Bracket, PCB support
27	5304448834	- - - D	Trim, control panel, stainless steel, deco plate
41	5304440848	A - - -	Door Assy, complete, black
41	5304440850	- B - -	Door Assy, complete, bisque
41	5304440849	- - C -	Door Assy, complete, white
41	5304448835	- - - D	Door Assy, complete, stainless steel, with handle
42	5304440852	A - - -	Panel Assy, outer door, black, with latch
42	5304440854	- B - -	Panel Assy, outer door, bisque, with latch
42	5304440853	- - C -	Panel Assy, outer door, white, with latch
42	5304448836	- - - D	Panel Assy, outer door, stainless steel, with latch
43	5304440856	A B C D	Latch, door
44	5304440316	A B C D	Spring, door latch
45	5304440857	A - - D	Panel, inner door, black
45	5304440859	- B - -	Panel, inner door, bisque
45	5304440858	- - C -	Panel, inner door, white
46	5304440860	A B C D	Seal, door, film
47	5304440861	A B C D	Frame, choke cover, inner door
48	5304442145	A B C D	Door Stop
49	5304440863	A - - D	Panel, glass, black, door front
49	5304440865	- B - -	Panel, glass, bisque, door front
49	5304440864	- - C -	Panel, glass, white, door front
50	5304440862	A B C D	Door Stop
51	5304440866	A B C D	Screw
52 #	5304452260	A B C D	Wiring Harness, main
58 #	5304440870	A B C D	Wire, high voltage-A

WIRING SCHEMATIC

SCHEMATIC
NOTE: CONDITION OF OVEN
 1. Door Closed
 2. CLOCK APPEARS ON DISPLAY

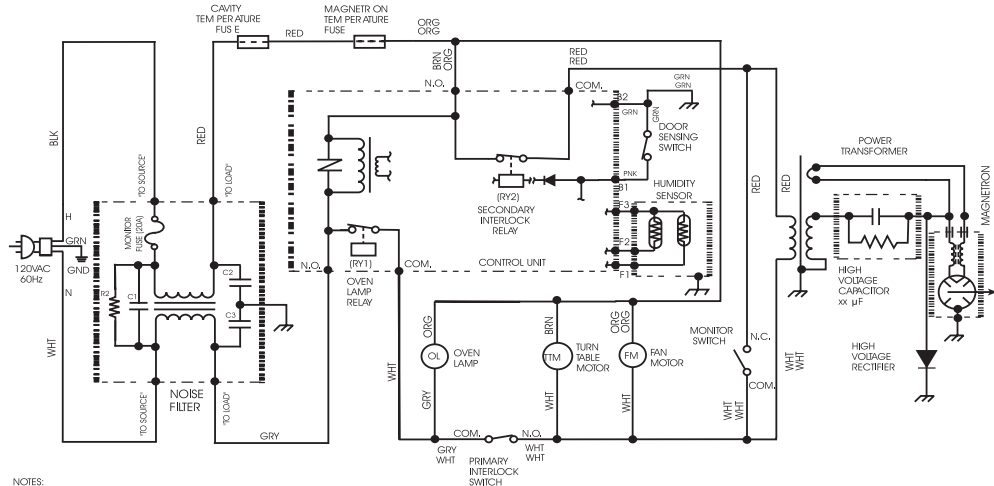
Note: * Indicates component



- NOTES:
 1. CIRCUITS SUBJECT TO CHANGE WITHOUT NOTICE.
 2. TERMINAL WITH PROJECTION OR OPPOSITE BLUE MARK ON LAMP SOCKET MUST BE CONNECTED TO NEUTRAL WIRE.
 3. ONLY CERTAIN MODELS USE THE ABSOLUTE HUMIDITY SENSOR.
 4. POWER TRANSFORMER TOP (FINISH LEAD) TERMINAL MUST BE CONNECTED TO THE NEUTRAL (WHT) WIRE.

Figure O-1 Oven Schematic - Off Condition

SCHEMATIC
NOTE: CONDITION OF OVEN
 1. DOOR CLOSED
 2. COOKING TIME PROGRAMMED
 3. VARIABLE COOKING CONTROL "HIGH"
 4. "START" PAD TOUCHED



- NOTES:
 1. CIRCUITS SUBJECT TO CHANGE WITHOUT NOTICE.
 2. TERMINAL WITH PROJECTION OR OPPOSITE BLUE MARK ON LAMP SOCKET MUST BE CONNECTED TO NEUTRAL WIRE.
 3. ONLY CERTAIN MODELS USE THE ABSOLUTE HUMIDITY SENSOR.
 4. POWER TRANSFORMER TOP (FINISH LEAD) TERMINAL MUST BE CONNECTED TO THE NEUTRAL (WHT) WIRE.

Figure O-2 Oven Schematic - Cooking Condition