

Inglis™ Refrigerator

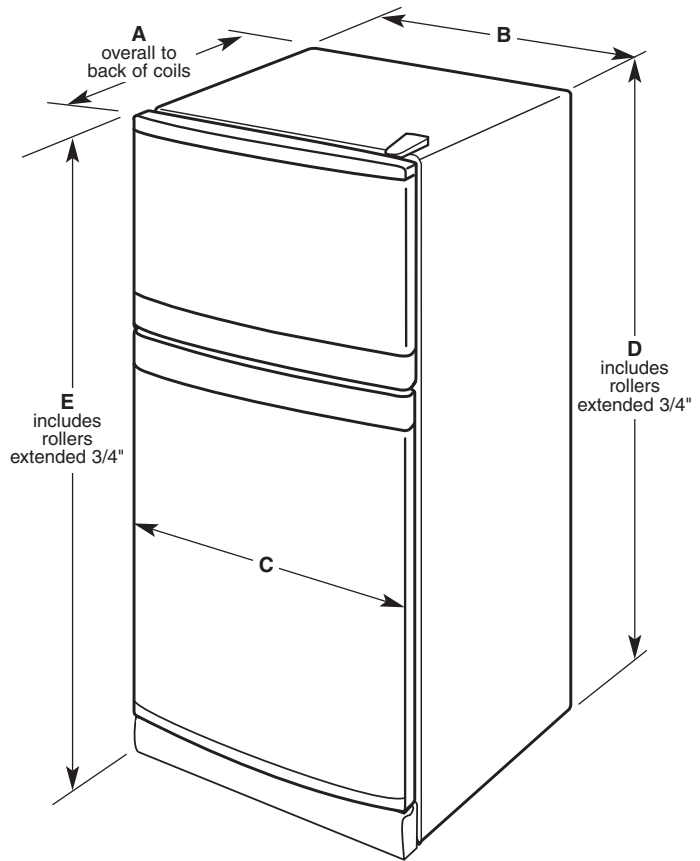
PRODUCT MODEL NUMBERS

IT14DKXR IT18TKXR
IT18DKXR

Electrical: A 115 Volt, 60 Hz., AC only 15 or 20 amp fused, grounded electrical supply is required. It is recommended that a separate circuit serving only your refrigerator be provided. Use an outlet that cannot be turned off by a switch. Do not use an extension cord.

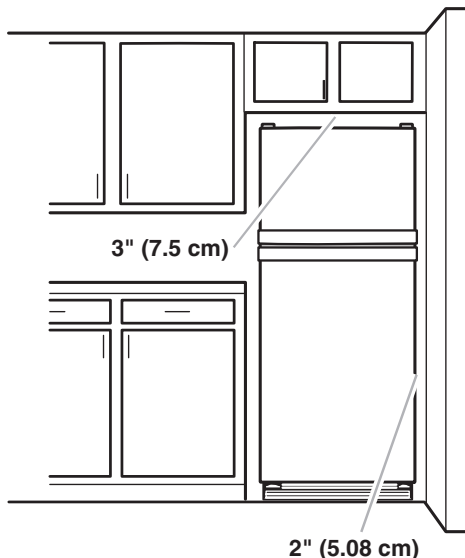
Water: Connect the ice maker to a cold water line with water pressure between 30 and 120 psi. If a reverse osmosis water filtration system is connected to your cold water supply, the water pressure to the reverse osmosis system needs to be a minimum of 40 to 60 psi (276 - 414 kPa).

OVERALL DIMENSIONS



Model	Depth "A"	Cab. Width "B"	Door Width "C"	Cab. Height "D"	Overall Height "E"
IT14DKXR	31 3/8"	28"	28	62 1/8"	62 3/4"
IT18DKXR	32 7/8"	28"	28	67 3/8"	67 7/8"
IT18TKXR	32 7/8"	28"	28	67 3/8"	67 7/8"

LOCATION REQUIREMENTS



To ensure proper ventilation for your refrigerator, allow for a 1/2 in. (12.70 mm) space on each side. Allow 3 in. (7.5 cm) of space between overhead cabinets and refrigerator top. Allow at least 1 in. (25.40 mm) between back of cabinet and the wall. If your refrigerator has an ice maker, make sure you leave some extra space at the back for the water line connections.

If you are installing your refrigerator next to a fixed wall, leave 2 in. (5.08 cm) minimum on the hinge side (depending on your model) to allow for the door to swing open.

NOTE: Do not install the refrigerator near an oven, radiator, or other heat source, nor in a location where the temperature will fall below 40°F (5°C).