

Installation Instructions for W10470674 (4-Way Vent Kit)

Dryer with Lower Front Panel Entry - Side and Bottom Exhaust Venting

Parts included in Kit:

- 1 Instruction Sheet
- 1 4" Diameter Vent – 305 mm (12")
- 1 4" Diameter Vent – 187 mm (7.40")
- 1 4" Diameter Vent – 116 mm (4.57")
- 1 4" Diameter Vent – 86 mm (3.40")
- 1 4" Diameter Vent – Elbow (0 deg. to 90 deg.)
- 2 4-3/16" Diameter Clamp
- 2 Plate, Cover (Metal)
- 2 Plugs, Side Panel (Plastic)
- 1 Collar, Vent
- 3 Screw - #8 x 1/2"


Tool and Accessories required:

- Putty knife
- 1/4" Socket and Ratchet Wrench
- 1/4" Nut Driver
- 5/16" Nut-Driver
- Flat-Head Screwdriver
- Phillips-Head Screwdriver
- Hammer
- Pliers
- 1/8" Drill Bit
- Electric Drill
- Cold Chisel
- File, Round

Procedure for Dryer Disassembly

To Gain Access to Inside of Dryer for Installation of Optional Exhaust Venting

⚠ WARNING



Electrical Shock Hazard

Disconnect power before servicing.
Replace all parts and panels before operating.
Failure to do so can result in death or electrical shock.

1. Unplug dryer or disconnect power.

NOTE: For Gas Dryer application, turn off gas supply using the shut-off valve that supplies the dryer. Disconnect flexible gas supply line connected to rear of dryer.

2. To remove lower front access panel, follow the step below which best describes the shape of the panel.

- a. If the panel is rectangular, depress two (2) locking clips with a putty knife. See *Figure 1*. Each locking clip is about 4" (10 cm) from each panel corner.

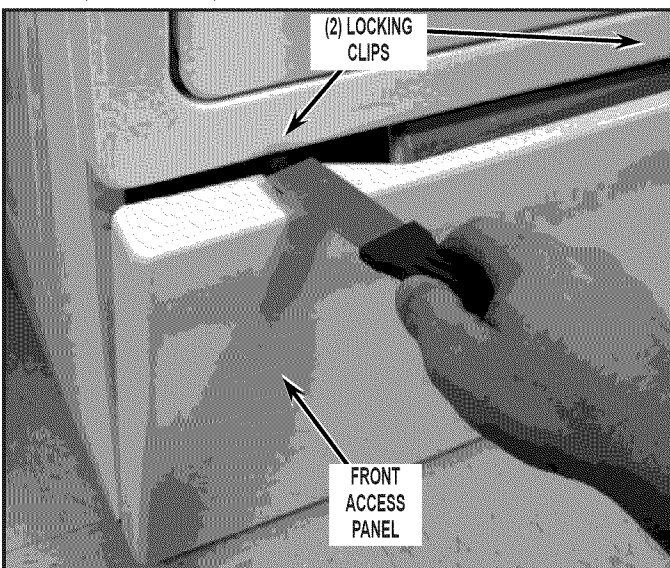


FIGURE 1

- b. If the panel is curved, remove either two (2) or four (4) screws from the bottom edge. See *Figure 2*.

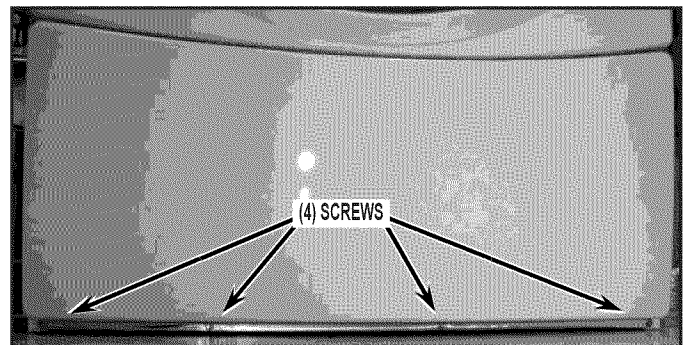


FIGURE 2

3. Open door and remove lint screen. Remove two (2) to four (4) screws attaching the lint chute to the blower housing. See *Figure 3*. Slide lint chute down and away from the dryer to remove.

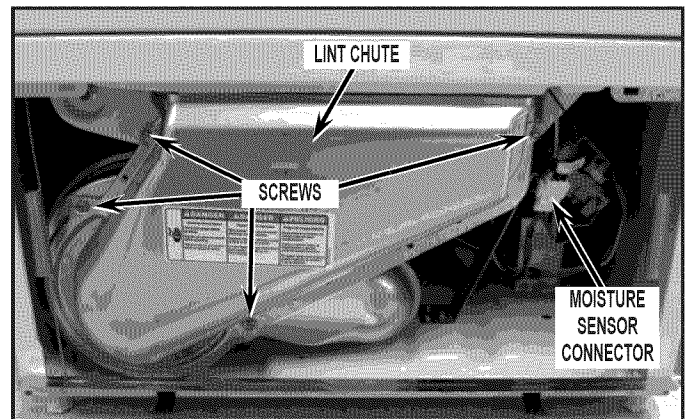


FIGURE 3

- For gas dryer applications only, remove two (2) screws from gas burner assembly front bracket (Figure 4) and remove the bracket from the dryer to allow more access.

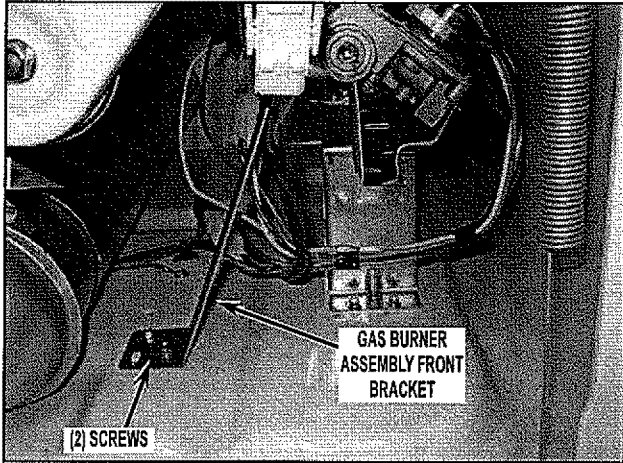


FIGURE 4

- Remove the existing exhaust vent by removing one (1) 3/8" long screw that secures the vent to the blower housing outlet. See Figure 5.

NOTE: The screw (3/8" long) removed in Step 5 must be used in this location for reassembly.

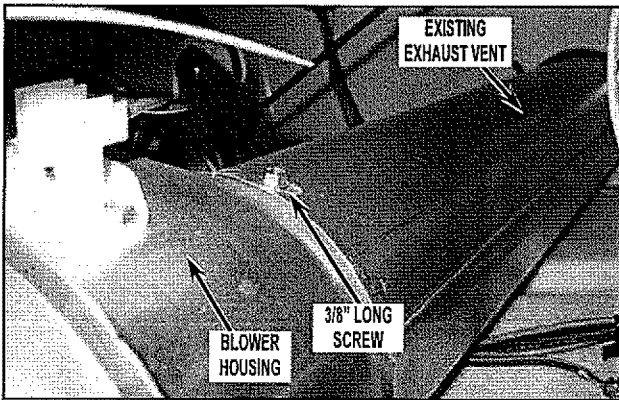


FIGURE 5

- Remove either a vent clip (See Figure 6) or a vent collar (See Figure 7). For the vent clip, remove by lifting up on it. For the vent collar, remove by depressing the three (3) tabs on the collar and pull collar out away from dryer rear panel.

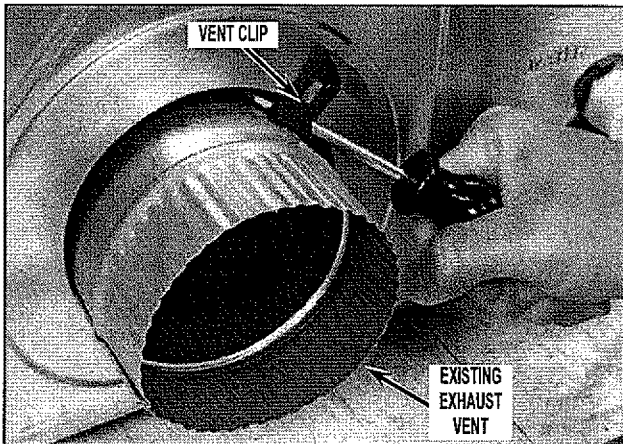


FIGURE 6

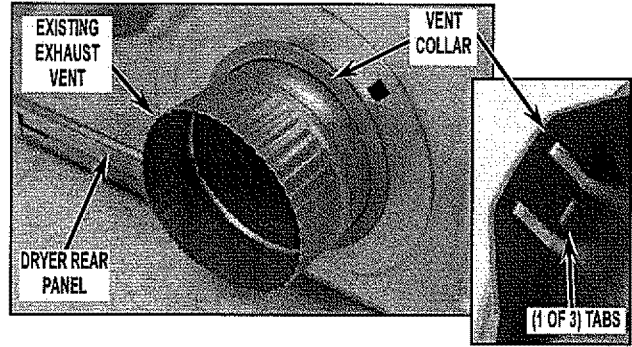


FIGURE 7

WARNING



Fire Hazard

Install cabinet plug(s) before operating.

Failure to follow these instructions can result in death, fire, electrical shock, or serious injury.

- Plug the 4" hole in the rear panel that the existing exhaust vent ran through using a metal cover plate included with kit. Use screw included with kit to secure plate in position. Install plate from the inside of the dryer with the plate tab positioned as shown in Figure 8.

NOTE: To aid in installation, take a screwdriver, inserting it into the larger hole in the cover plate and pulling the plate toward the rear as shown in Figure 8 and 9. Use a Phillips screw driver to secure the screw into the smaller hole.

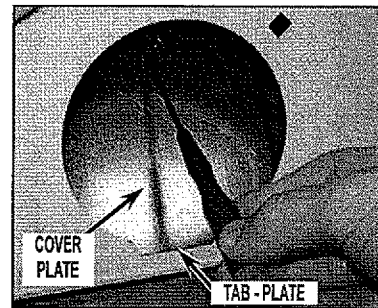


FIGURE 8

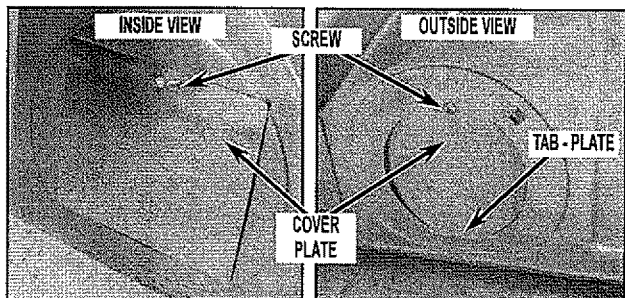


FIGURE 9

(continued)

W10470676A

- Use screw included with kit to secure plate in position by driving the retaining screw into the plate's smaller hole to lock the plate in position. See *Figure 10*.

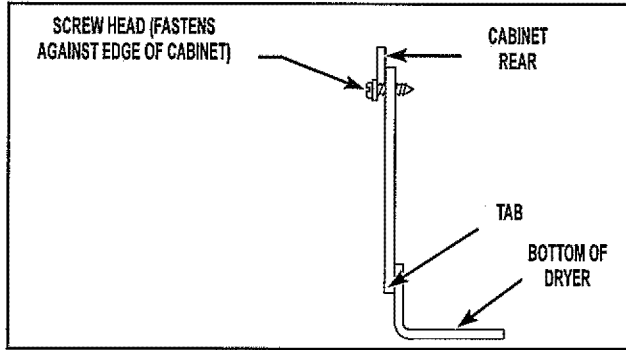


FIGURE 10

NOTE: If dryer was previously setup for side venting leaving an exposed knockout hole or had additional panel knockout removed, from outside of dryer install the plastic plug(s) included with kit to the side panel knockout hole(s). See *Figure 11*.

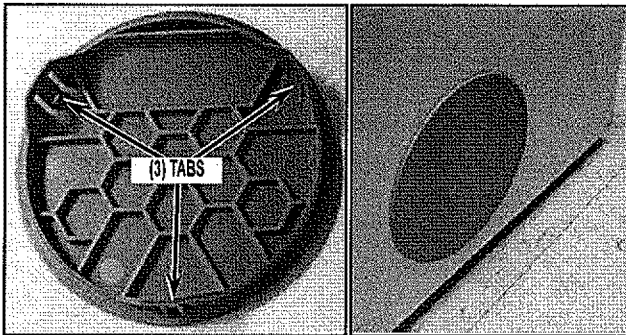


FIGURE 11

NOTE: If dryer was previously setup for bottom venting, from inside of dryer install the metal cover plate with screw included with kit to the bottom panel hole that the vent tube previously existed. See *Figure 12*.

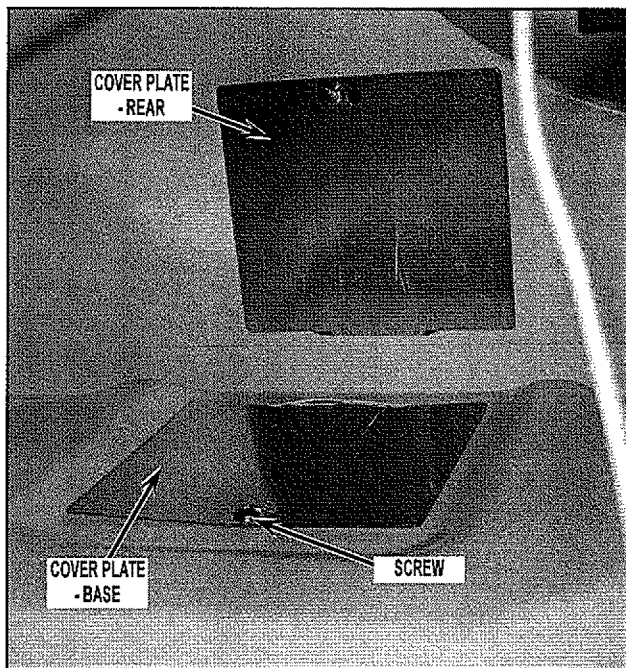


FIGURE 12

VENTING PROCEDURE IS CATEGORIZED IN THREE SECTIONS

NOTE: Determine your new vent direction and follow the section that applies to your application.

Section 1 – Bottom Exhaust Venting

Section 2 – Left Side Exhaust Venting

Section 3 – Right Side Exhaust Venting

Section 1 - Bottom Exhaust Venting

- Position the dryer into its operating position in the room and measure its rear corner location from the back wall and side wall. Record these dimensions for future use.
- Using two (2) corner posts from the shipping carton or other protective material on the floor beside the dryer, gently lay dryer on its left side.
- To remove the dryer base knockout, use either a 1/8" drill bit and drill or a cold chisel and hammer, remove the six (6) knockout retaining tabs around its edge. See *Figure 13*.

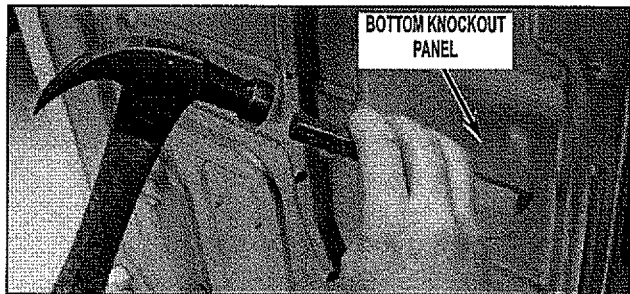


FIGURE 13

- Using a cold chisel and hammer around the knockout hole edge, work around the edge until the knockout is removed. Use a file to remove the small edge burrs generated by the knockout procedure.
- Reposition the dryer into its operating position using the dimensions recorded in Step 1 above. Using the exhaust hole in the bottom panel as a template, mark the floor accordingly.
- Measure distance from blower housing exit to the knockout hole front edge. See *Figure 14*. If distance is 270 mm (10.50"), then create a tube sub-assembly by combining the 86 mm (3.40") long vent tube, the elbow and two clamps included in kit. If distance is 300 mm (11.70"), then use the 116 mm (4.57") long vent tube instead. Slightly tighten clamps to hold assembly together yet allow for movement at this time.

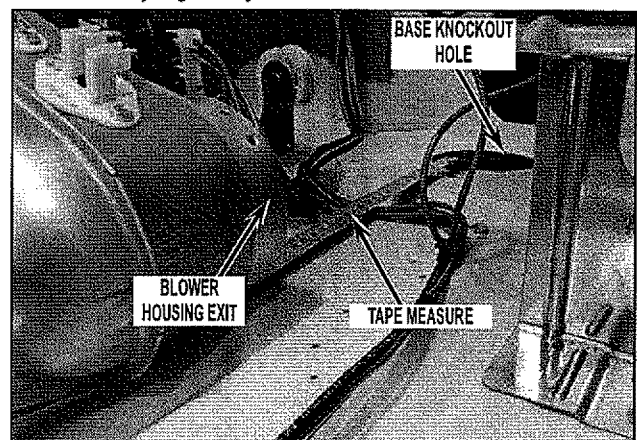


FIGURE 14

7. Insert the sub-assembly from Step 6 through the dryer front and position the elbow in the down direction. Attach the 187 mm (7.40") long vent end to the blower housing using the 3/8" long screw removed in Step 5 of "Procedure for Dryer Disassembly" section. See *Figure 15*.

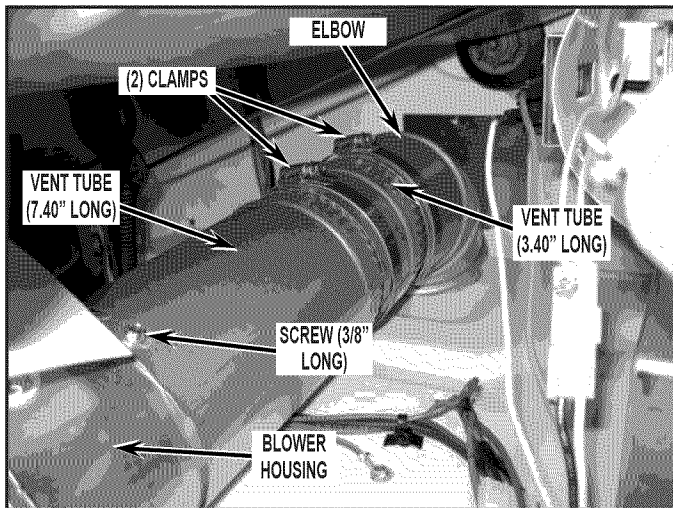


FIGURE 15

8. Assure the positioning of the bottom exhaust vent assembly then securely tighten the clamps. See *Figure 15*.
9. Bottom venting of your dryer is now complete. Reassemble dryer in reverse order as the unit was disassembled referencing this instruction sheet assuring proper assembly and wire lead connections.
10. Proceed to "Completing Dryer Installation" section at the end of this instruction sheet.

Section 2 - Left Side Exhaust Venting

NOTE: Allow for a minimum clearance of 10" from wall to dryer side panel if venting exhaust downward after exiting side panel of dryer.

1. As you are facing the dryer, review the lower section of the left side panel. If two (2) knockout features are present remove the MOST REARWARD KNOCKOUT ONLY. See *Figure 16*.

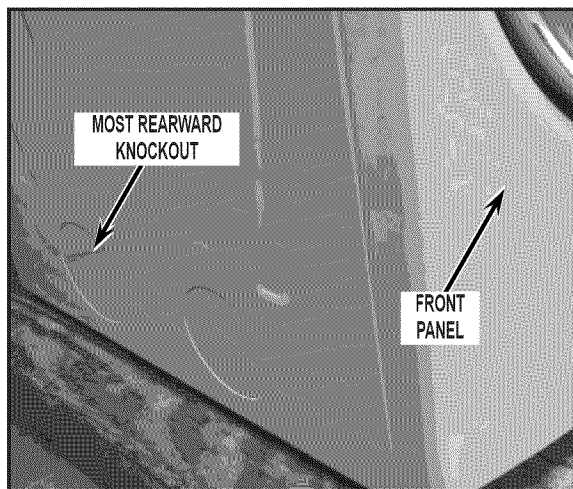


FIGURE 16

2. To remove the most rearward left side knockout, use either a 1/8" drill bit and drill or a cold chisel and hammer. Remove the six(6) knockout retaining tabs around the edge. See *Figure 17*.

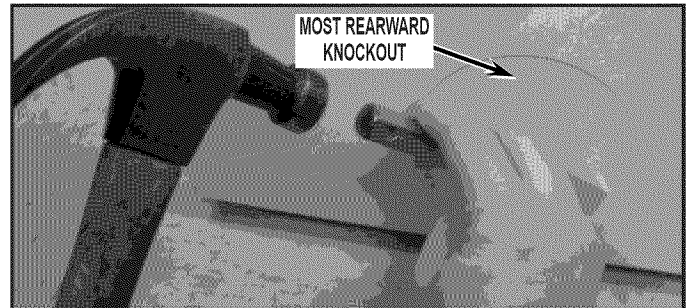


FIGURE 17

3. Using a cold chisel and hammer around the knockout hole edge, work around the edge until the knockout is removed. Use a file to remove the small edge burrs generated by the knockout procedure.
4. Attach the 305 mm (12.0") long vent tube and elbow from kit together using clamp included in kit. Tighten clamp to hold sub assembly together. See *Figure 18*.

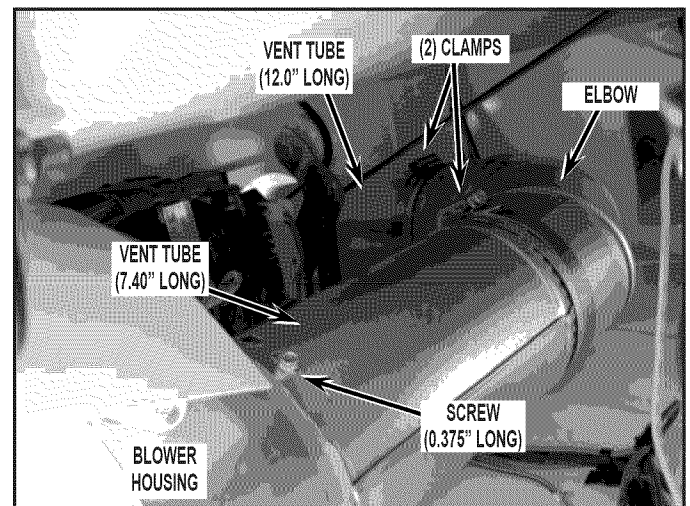


FIGURE 18

5. Insert the sub-assembly from Step 3 through the dryer front and into the left side knockout hole, rib-end facing out. Slide a clamp onto the elbow and insert the 187 mm (7.40") vent tube from the kit into the elbow. See *Figure 18*.
6. Attach the 187 mm (7.40") long vent to the blower housing using the 3/8" long screw removed in Step 5 of "Procedure for Dryer Disassembly" section.

- From the outside of the dryer, install the vent collar included with kit by sliding over exhaust vent tube and snap into place. See *Figure 19*.

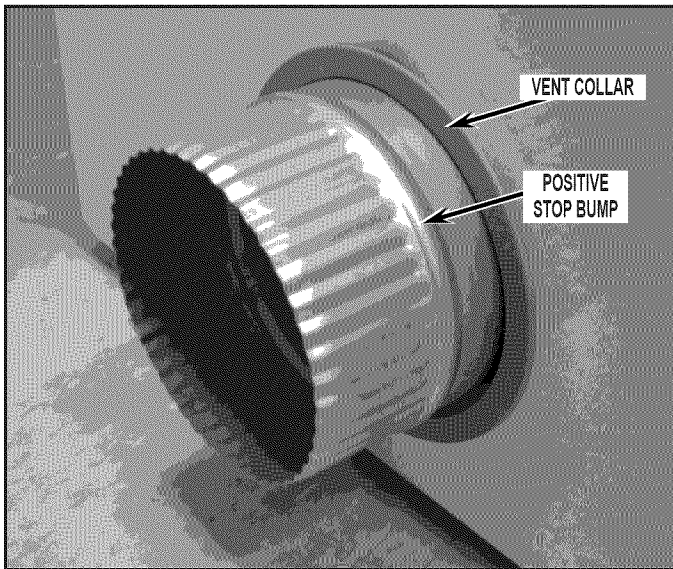


FIGURE 19

- Assure the positioning of the exhaust vent assembly, making sure the positive stop bump on the 305 mm (12.0") long vent tube is on the outside of the dryer. See *Figure 19*. Securely tighten both clamps. See *Figure 18*.
- Left side venting of your dryer is now complete. Reassemble dryer in reverse order as the unit was disassembled referencing this instruction sheet assuring proper assembly and wire lead connections.
- Proceed to "Completing Dryer Installation" section at the end of this instruction sheet.

Section 3 - Right Side Exhaust Venting

NOTE: Allow for a min. clearance of 10" from wall to dryer side panel if venting exhaust downward after existing side panel of dryer.

- As you are facing the dryer, review the lower section of the right side panel. If two (2) knockout features are present remove the MOST REARWARD KNOCKOUT ONLY. See *Figure 20*.

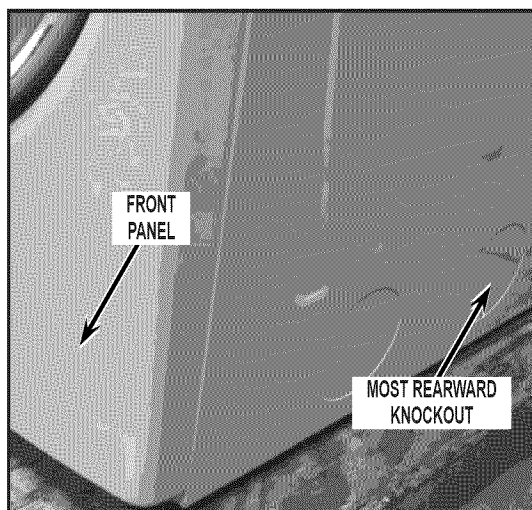


FIGURE 20

- To remove the most rearward right side knockout, use either a 1/8" drill bit and drill or a cold chisel and hammer, remove the six (6) knockout retaining tabs around the edge. See *Figure 21*.

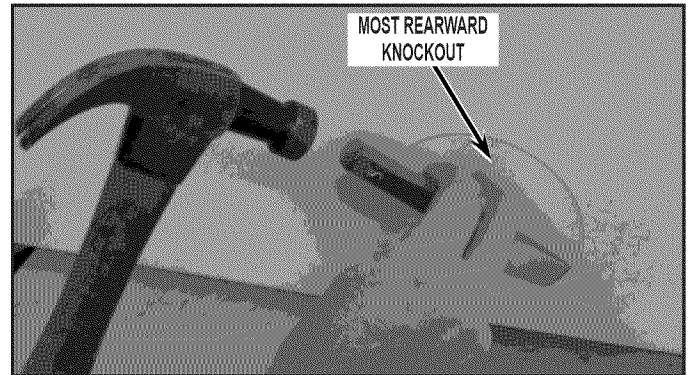


FIGURE 21

- Using a cold chisel and hammer around the knockout hole edge, work around the edge until the knockout is removed. Use a file to remove the small edge burrs generated by the knockout procedure.
- Assemble the 305 mm (12.0") long vent tube and elbow from kit together using clamp included in kit. Tighten clamp to hold sub assembly together. See *Figure 22*.

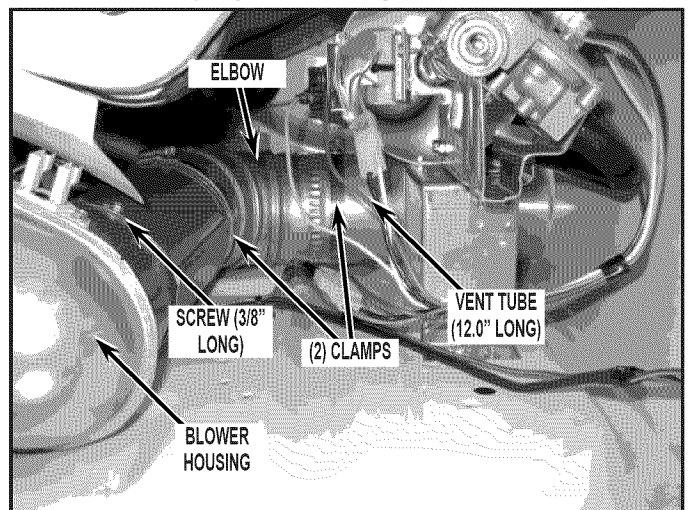


FIGURE 22

- Insert the sub-assembly from Step 4 through the dryer front and into the right side panel knockout hole, rib-end facing out. Slide a clamp onto the elbow and insert the 187 mm (7.40") vent tube from the kit into the elbow. See *Figure 22*.
- Attach the 187 mm (7.40") long vent to the blower housing using the 3/8" long screw removed in Step 5 of "Procedure for Dryer Disassembly" section.

(continued)

- From the outside of the dryer, install the exhaust vent collar included with kit by sliding over exhaust vent tube and snap into place. See *Figure 23*.

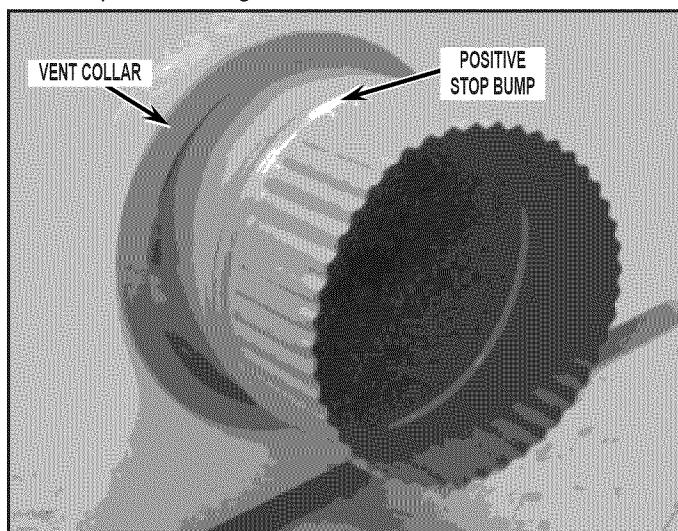


FIGURE 23

- Assure the positioning of the exhaust vent assembly, making sure the positive stop bump on the 305 mm (12.0") long vent tube is on the outside of the dryer. See *Figure 23*. Securely tighten both clamps. See *Figure 22*.
- Right side venting of your dryer is now complete.
- Proceed to "Completing Dryer Installation" section.

Completing Dryer Installation

IMPORTANT: Take special note of specific areas listed below assuring proper re-assembly of dryer.

- Reassemble dryer in reverse order as the dryer was disassembled referencing previous instruction photographs and following the steps below.
- Hanging above the blower housing is a protective flap. Verify flap is laying above the blower housing sensor connectors. See *Figure 24*.

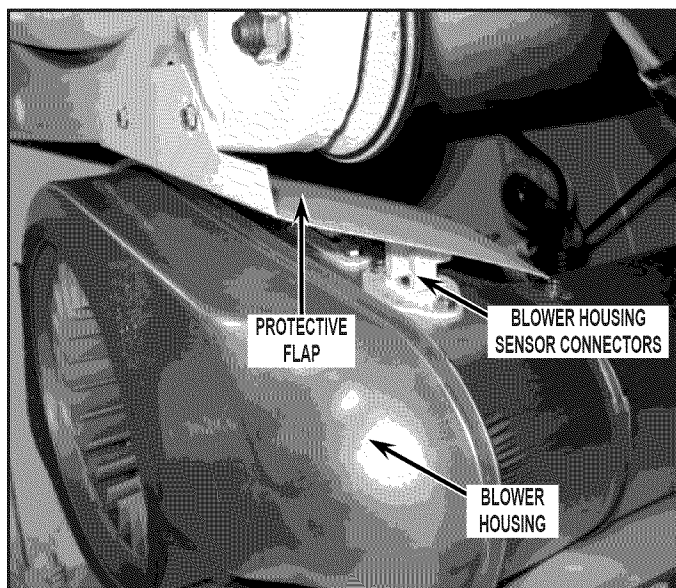


FIGURE 24

- For gas dryer applications only, reattach the gas burner assembly front bracket and two (2) screws. See *Figure 4*.

- Reattach the blower housing lint chute and its screws. See *Figure 3*.
- Verify the moisture sensor connector is connected. See *Figure 3*.
- Open the dryer door and reinsert the lint screen.
- Reattach the lower front access panel by either by:
 - Slip two (2) lower tabs (See *Figure 25*) through front lower access panel slots, tip the panel up and press into place to latch both retaining clips.
 - Position the lower front access panel and reattach the necessary screws. See *Figure 2*.

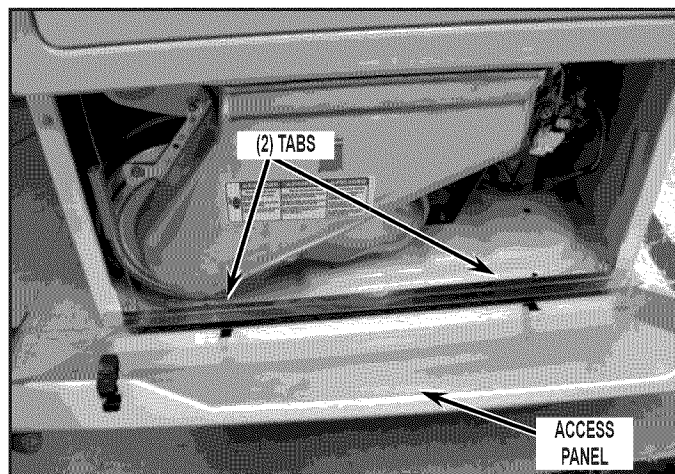


FIGURE 25

- Reposition dryer to operating position.
- Connect external exhaust vent to dryer.

⚠ WARNING

Electrical Shock Hazard

Plug into a grounded 3 prong outlet.

Do not remove ground prong.

Do not use an adapter.

Do not use an extension cord.

Failure to follow these instructions can result in death, fire, or electrical shock.

- Plug in dryer or reconnect power.

NOTE: For gas dryer application, connect flexible gas supply line to rear of dryer. Turn on gas supply and check for leaks by brushing or spraying approved non-corrosive leak detection solution onto connection at rear of dryer. If any bubbles are present turn off gas supply, tighten the leaking connection and retest for leaks.

- Check to assure all components are attached securely in place and lint screen has been installed to dryer.
- Check that dryer is working properly.